

# SJ ONE



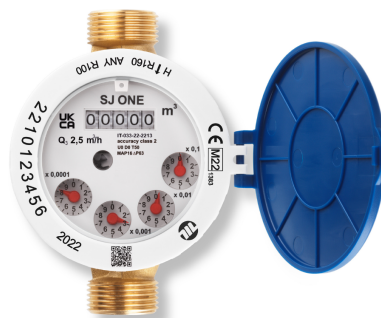
## PROTECTED ROLLERS SINGLE JET METER

SJ ONE is the ultimate single-jet meter expression. Thanks to its mechanical transmission, it offers high metrological performance and is insensitive to external magnetic fields. Its "protected rollers" solution, first developed by Maddalena, ensures perfect legibility over time. Compact, and robust is suitable for the most challenging environments. It can be equipped with the latest remote data transmission technologies.

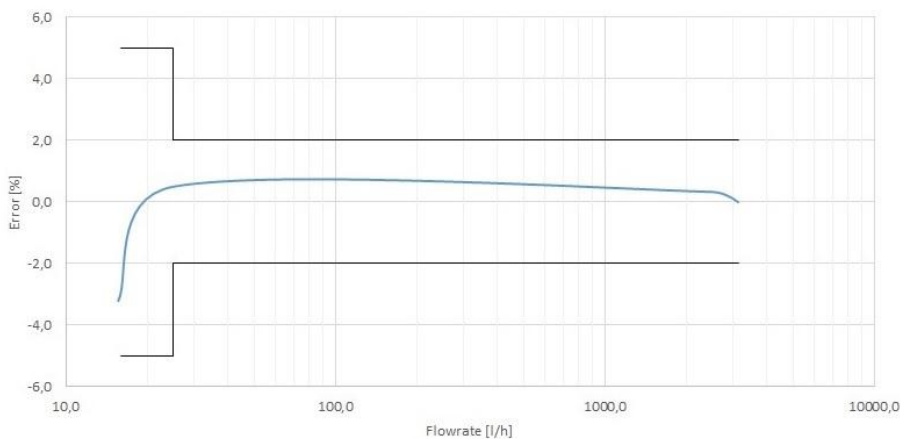
# SJ ONE

## FEATURES

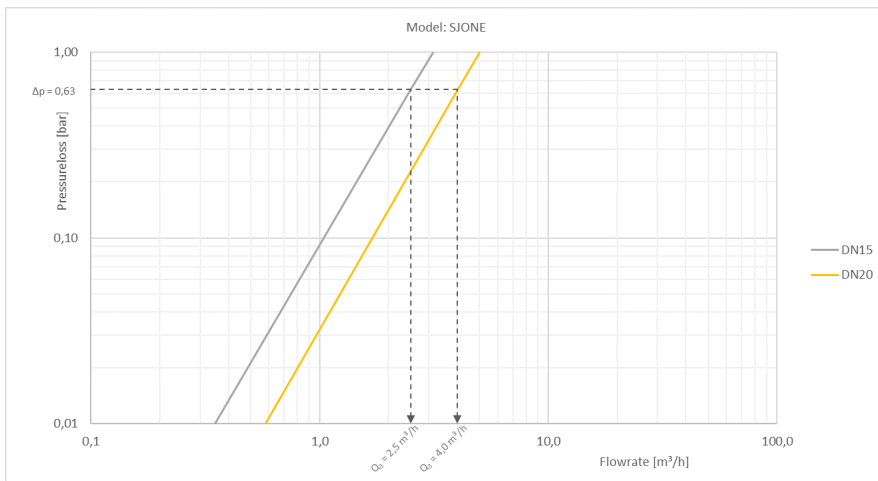
- Protected rollers single jet meter for cold water
- Ideal for utilities and outdoor installations
- MID-certified: HR 315
- DN: 15÷20
- Health certifications available for a number of countries
- Mechanical transmission unaffected by external magnetic fields
- Mineral glass lens
- Supports various installation positions
- Ready for optional reed switch (1P=1-10-100-1000L) or static pulse emitter (1P=1-10L)



## TYPICAL ERROR CURVE



## HEAD LOSS DIAGRAM



## METROLOGICAL PERFORMANCE

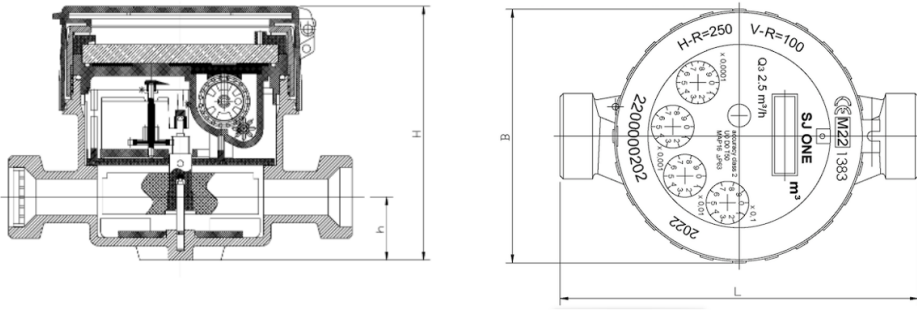
Size	mm	15	20
	in	1/2	3/4
Module B no.		IT-033-22-213	
Module D no.		0119-SJ-A010-08	
Q <sub>3</sub> /Q <sub>1</sub> = R Referred to installation position		H ≤ 315 V ≤ 100	
MID standard performance *			
Q <sub>3</sub>	m <sup>3</sup> /h	2,5	4
Q <sub>4</sub>	m <sup>3</sup> /h	3,13	5
<b>R</b>		<b>160</b>	
Q <sub>1</sub>	l/h	15,63	25
Q <sub>2</sub>	l/h	25,01	40

\* Other values of R available upon request.

## TECHNICAL DATA

Maximum permissible error between Q <sub>1</sub> and Q <sub>2</sub> (excluded)		+/- 5%	
Maximum permissible error between Q <sub>2</sub> (included) and Q <sub>4</sub>		+/- 2% with water temperature ≤ 30°C +/- 3% with water temperature > 30°C	
Temperature class		T50	
Flow profile sensitivity classes		U0 - D0	
Starting flow rate	l/h	4-5	7-9
Head loss		ΔP63	
Nominal pressure	bar	16	
Maximum reading	m <sup>3</sup>	99.999	
Minimum reading	l	0,05	
Indicative weight	kg	0,57	0,69

## DIMENSIONS



Size	mm	15	20
	in	½	¾
Thread	in	G ¾ B	G 1 B
L	mm	110/115/190	130
H	mm	81	81
h	mm	20	21,5
B	mm	77	77

## COMMUNICATION MODULES



REED SWITCH



QUADRAPLUS



ARROW<sup>EVO</sup> 868  
SPLIT



ARROW<sup>WAN</sup> 169  
SPLIT



ARROW<sup>WAN</sup> 868  
SPLIT



ARROW<sup>WAN</sup> NB-IoT  
SPLIT



For more information on all the accessories available, consult the specific technical data sheets on the website [www.maddalena.it](http://www.maddalena.it)