



TANGENTIAL HELIX WATER METER

WT is an excellent solution for high-volume irrigation metering. Using a tangential helix, it offers good metrological performance, wide measuring range and excellent resistance over time, even when used with irrigation water. Easy readability thanks to its IP68 copper-glass register. Robust, long lasting and designed for the most challenging environments, it is suitable for both drinking and irrigation water. It can be equipped with the latest remote data transmission technologies.

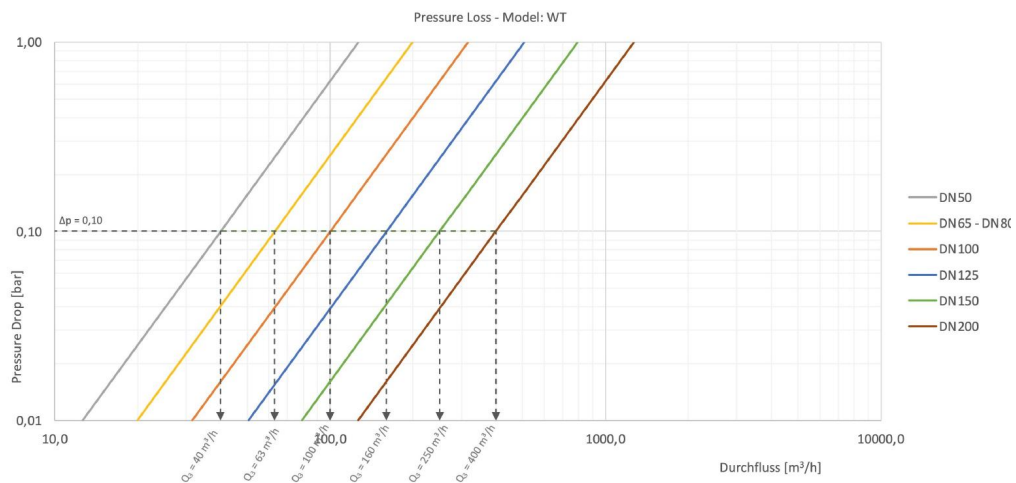
WT

FEATURES

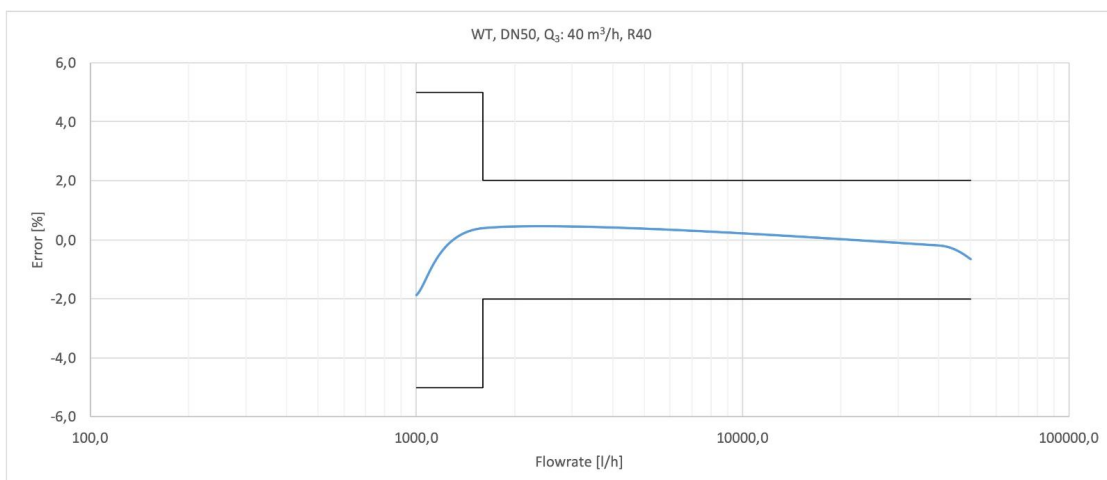
- Woltmann tangential helix cold water meter
- Ideal for large volume irrigation applications
- Certified MID R max 40
- DN: 50÷200
- High protection against external magnetic fields
- Mineral glass lens
- Sealed register (IP68 copper/glass) to entirely prevent condensation issues
- Can be provided fitted with wired or radio communication module
- MID-certified also in the "delivery group" version (see specific illustrative material), and therefore part of a metering system that includes On-Off valve and flow limiter
- Ready for reed switch pulse emitter (DN 50÷125 mm 1P=100 L / DN 150÷200 mm 1P=1000 L)



TYPICAL ERROR CURVE



HEAD LOSS DIAGRAM



METROLOGICAL PERFORMANCE

| | | | | | | | | |
|-------------|-----------|----|-----|----|-----|-----|-----|-----|
| Size | mm | 50 | 65 | 80 | 100 | 125 | 150 | 200 |
| | in | 2 | 2 ½ | 3 | 4 | 5 | 6 | 8 |

Module B no. TCM 142/13-5129

Module D no. 0119-SJ-A010-08

Q₃/Q₁ = R
Referred to installation position H; V = 40

MID standard performance *

| | | | | | | | |
|----------------------|------------------------|----|-------|-----|-----|--------|-----|
| Q₃ | m³/h | 40 | 63 | 100 | 160 | 250 | 400 |
| Q₄ | m³/h | 50 | 78,75 | 125 | 200 | 312,50 | 500 |

R 40

| | | | | | | | |
|----------------------|------------|------|------|------|------|-------|-------|
| Q₁ | l/h | 1000 | 1575 | 2500 | 4000 | 6250 | 10000 |
| Q₂ | l/h | 1600 | 2520 | 4000 | 6400 | 10000 | 16000 |

* Other values of R available upon request.

TECHNICAL DATA

Maximum permissible error between Q₁ and Q₂ (excluded) +/- 5%

Maximum permissible error between Q₂ (included) and Q₄ +/- 2% with water temperature ≤ 30°C

Temperature class T30

Flow profile sensitivity classes U0 - D0

| | | | | | | | | |
|---------------------------|------------|-----|-----|-----|-----|-----|------|------|
| Starting flow rate | l/h | 125 | 190 | 320 | 450 | 700 | 1200 | 1800 |
|---------------------------|------------|-----|-----|-----|-----|-----|------|------|

Head loss ΔP10

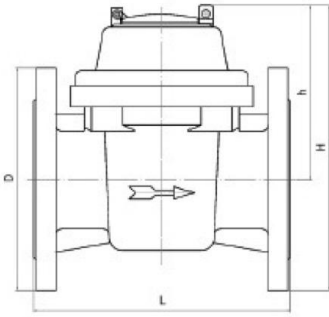
Nominal pressure bar 16

| | | | | | | | | |
|------------------------|----------------------|-----------|--|--|--|--|------------|--|
| Maximum reading | m³ | 9.999.999 | | | | | 99.999.999 | |
|------------------------|----------------------|-----------|--|--|--|--|------------|--|

| | | | | | | | | |
|------------------------|----------|-------|--|--|--|--|------|--|
| Minimum reading | l | 0,002 | | | | | 0,02 | |
|------------------------|----------|-------|--|--|--|--|------|--|

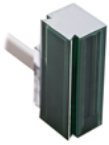
| | | | | | | | | |
|--------------------------|-----------|------|------|----|------|------|------|------|
| Indicative weight | kg | 10,9 | 12,7 | 14 | 16,2 | 21,5 | 29,1 | 42,6 |
|--------------------------|-----------|------|------|----|------|------|------|------|

DIMENSIONS



| Size | mm | 50 | 65 | 80 | 100 | 125 | 150 | 200 |
|--------|----|-------|---------|-------|-------|-------|-------|-------|
| | in | 2 | 2 ½ | 3 | 4 | 5 | 6 | 8 |
| Thread | in | G 2 B | G 2 ½ B | G 3 B | G 4 B | G 5 B | G 6 B | G 8 B |
| L | mm | 200 | | 225 | 250 | | 300 | 350 |
| H | mm | 250 | 264 | 280 | 292 | 312 | 338 | 378 |
| h | mm | 136 | | | 186 | | | 206 |
| B | mm | 165 | 185 | 200 | 220 | 250 | 280 | 340 |

COMMUNICATION MODULES



REED SWITCH WOLTMANN

For more information on all the accessories available, consult the specific technical data sheets on the website www.maddalena.it