

TECHNICAL CATALOGUE CATÁLOGO TÉCNICO



Av. Ramón Cuirans, 40
Pol. Ind. Congost P6
La Garriga, 08530, Barcelona
SPAIN

Tel. (+34) 93 870 42 08
Fax (+34) 93 870 98 11

www.cepex.com
cepex@cepex.com

Cepex will meet all your fluid handling needs. For more than 30 years we have been present in the market, committed to satisfying our customers 100%. Thanks to their support and loyalty, Cepex has become one of the leading European manufacturers of plastic valves and fittings.



Philosophy

Cepex concentrates all its energy on offering effective solutions to the marketplace. Our focus on the following five principles has resulted in highly competitive and reliable products:

I) Research. To stand out in today's markets, companies need to rapidly respond to customers' changing requests. CEPEX is committed to continuous research and innovation supported by an excellence center that systematically analyzes our markets to offer products that provide real solutions to specific needs.

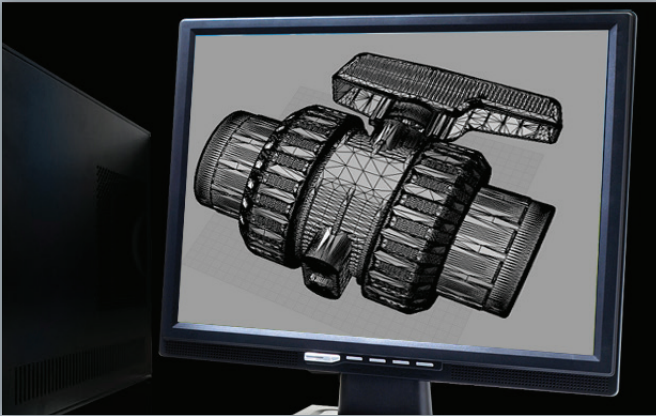
II) Technology. The entire production process, from product conception to delivery to the customer, is developed using the most advanced technologies to guarantee the highest quality and to minimize errors. Cepex Holding relies on:

- The latest generation injection molding machines, robotics, and automation
- An intelligent logistics center

III) Quality. Our manufacturing processes are supported by a total quality system, guaranteed by ISO 9001 certification. Our products are subjected to demanding controls, including 100% verification of all types of valves. As a result, Cepex has obtained several quality certifications from the world's most prestigious organizations. This process includes also a qualified human team with years of experience; continuous improving teams who are implementing and checking continuously Lean process methods to have the best production.

IV) Service. Customer service is the primary focus of our team, and the goal of all the companies within our group. Our customers have direct access to an experienced technical and sales team to address any questions they may encounter regarding our products and their applications. Our on-going drive to improve service led us in 2003 to create a 55,000 m² (592,000 ft²) logistics center equipped with the most advanced systems and capacity to stock and automatically move 20.000 pallets.

V) Environmental policy. Cepex respects the environment and applies this concern to its manufacturing processes so we can all enjoy a more pleasant world. To fulfill our commitments, within our manufacturing companies we have achieved the certification of our Environmental Management System under ISO 14001, an international standard that regulates the impact of production and service activities on the environment.



"We focus our efforts in all the steps of the production process, from **the product designing ...**"

"... all the working staff, **injection machines, installations, raw materials ...** and all related with the **manufacturing process ...**"

"... **we take care of the finished products** and prepare everything to have them on the right place and in the right time ..."



"... our customer service is always in close contact with you to attend all your demands and satisfy your needs. **We work to give you everything in every moment.**"



APPLICATIONS

SWIMMING POOL



INDUSTRY




IRRIGATION



WWW.CEPEX.COM


idiomas ▾




[HOME](#)
[EMPRESA](#)
[COMUNICACIÓN](#)
[DESCARGAS](#)
[CONTACTO](#)

[RIEGO](#)
[AGUA](#)
[INDUSTRIAL](#)


FLUID HANDLING EXPERTS




AGUA



INDUSTRIA




RIEGO



FLUID HANDLING EXPERTS

Cepex marca para los mercados de conducción de fluidos y riego perteneciente al grupo Fluidra, soluciona sus necesidades de conducción de fluidos. Desde hace más de 25 años está presente en el mercado apostando por la plena satisfacción de sus clientes. Gracias a su apoyo y fidelidad, Cepex se ha consolidado como uno de los principales fabricantes europeos de válvulas y accesorios plásticos y ha permitido crear una red propia de distribución dedicada a su proyección a nivel mundial.

NUEVA VÁLVULA DE DIAFRAGMA MANUAL







Cepex lanza su nueva válvula de diafragma manual expresamente diseñada para aplicaciones industriales. Con los objetivos en mente de una regulación...


NOTICIAS

NUEVA GAMA DE RIEGO MARCA CEPEX

Cepex lanza una nueva gama de riego residencial básica con su propia marca; esta gama ofrece soluciones completas para las necesidades principales de...

REFERENCIAS



FLUIDRA

CEPEX

Quien Somos
Gestión Medioambiental
Nuevos productos

COMUNICACIÓN

Noticias
Calendario Ferias
Librería CAD

PRODUCTOS

División Industria
División Riego
División Agua

CONTACTO

- Company information
- Product range presentations
- Technical catalogues, commercial brochures, instruction manuals...
- Constantly refreshed quality certifications
- 2D/3D CAD library
- Worldwide contacts

- Información empresa
- Presentaciones por línea de producto
- Catálogos técnicos, folletos comerciales, manuales de instrucciones...
- Certificados de calidad actualizados constantemente
- Librería CAD 2D/3D
- Contactos en distintos países

INDEX

CEPEX PLASTIC MATERIALS <i>MATERIALES PLÁSTICOS CEPEX</i>	PAG.10
AVAILABLE STANDARDS <i>STANDARDS DISPONIBLES</i>	PAG.16
HYDRAULIC CONCEPTS <i>CONCEPTOS HIDRÁULICOS</i>	PAG.18
UNION METHODS <i>MÉTODOS DE UNIÓN</i>	PAG.22
QUALITY <i>CALIDAD</i>	PAG.34
ENVIRONMENT <i>MEDIO AMBIENTE</i>	PAG.39
CHEMICAL RESISTANCE CHART <i>TABLA DE RESISTENCIAS QUÍMICAS</i>	PAG.40
UNIT CONVERSION <i>CONVERSIÓN DE UNIDADES</i>	PAG.60
TECHNICAL CATALOGUE GUIDE <i>GUÍA PARA EL CATÁLOGO TÉCNICO</i>	PAG.61

INDEX

PVC-U FITTINGS (Metric Series) <i>ACCESORIOS PVC-U (Serie métrica)</i>	PAG.065
PVC-U FITTINGS (British Standard Series) <i>ACCESORIOS PVC-U (Serie British Standard)</i>	PAG.111
PVC-U FITTINGS (American sizes Series) <i>ACCESORIOS PVC-U (Serie medidas americanas)</i>	PAG.121
PVC-U VALVES (Metric Series) <i>VÁLVULAS PVC-U (Serie métrica)</i>	PAG.129
PVC-U VALVES (British Standard Series) <i>VÁLVULAS PVC-U (Serie British Standard)</i>	PAG.379
PVC-U VALVES (American sizes Series) <i>VÁLVULAS PVC-U (Serie medidas americanas)</i>	PAG.455
PVC-C FITTINGS (Metric Series) <i>ACCESORIOS PVC-C (Serie métrica)</i>	PAG.547
PVC-C VALVES (Metric Series) <i>VÁLVULAS PVC-C (Serie métrica)</i>	PAG.561
PVC-C VALVES (American sizes Series) <i>VÁLVULAS PVC-C (Serie medidas americanas)</i>	PAG.595
PP FITTINGS <i>ACCESORIOS PP</i>	PAG.633
VALVE BOXES <i>ARQUETAS</i>	PAG.669

CEPEX PLASTIC MATERIALS

MATERIALES PLÁSTICOS CEPEX

PVC-U

DESCRIPTION

Unplasticised polyvinyl chloride (PVC-U) is the most widely used of all plastics used for pipe installations. It is rigid, versatile, and is suitable for both above or below ground installations.

PVC-U is suitable for use at temperatures from 0°C to 60°C at a wide range of operating pressures, depending upon the system chosen. It is lightweight and easy to install, using cold solvent welded joints which require no special tools.

The characteristics of PVC-U structural parts are strongly dependant on the makeup of the recipe, but also from the processing. Through our 25-year experience in PVC processing and the continual further development of our own recipe, Cepex has become the benchmark in the PVC-U piping field.

Cepex offers PVC-U valves and fittings free from lead, cadmium and other poisonous heavy metals for your applications in the fields of drinking water or alimentary products.

PVC-U

DESCRIPCIÓN

El policloruro de vinilo no-plastificado (PVC-U) es el plástico más usado para instalaciones de conducción de fluidos. Es rígido, versátil y adecuado para instalaciones exteriores o enterradas.

El PVC-U puede usarse en temperaturas desde 0°C a 60°C a una extensa gama de presiones de trabajo, dependiendo del sistema elegido. Es ligero y fácil de instalar, utilizando uniones encoladas con adhesivo que no requiere de herramientas especiales.

Las características estructurales del PVC-U dependen de su composición química (aditivos), pero también del procesamiento. Con nuestros 25 años de experiencia en procesar PVC y el continuo desarrollo de nuestra propia composición, Cepex ha llegado a ser el referente en el campo de la conducción de fluidos con PVC-U.

Cepex ofrece válvulas y accesorios en PVC-U libres de plomo, cadmio y otros metales perjudiciales para aplicaciones de agua potable o productos alimentarios.

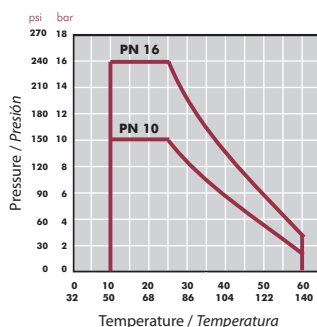


GENERAL MATERIAL FEATURES

- Temperature range: 10°C to 60°C for continuous working. Nominal pressure in function of the temperature according diagram.
- Abrasion resistant. Good mechanical strength.
- Non-toxic and taint free. Suitable for food and drinking use.
- Resistant to many inorganic chemicals.
- Resistant to most solutions of acids, alkalis and salts.
- Ideal for above ground use.
- Rigid pipes: no special support needed.
- Jointing by cold solvent welding, rubber ring mechanical joints or threaded.
- Easy installation.
- Not resistant to aromatic and chlorinated hydrocarbons (see chemical resistance chart for details).

CARACTERÍSTICAS GENERALES DEL MATERIAL

- Rango de temperaturas: 10°C a 60°C en trabajo continuo. Presión nominal en función de la temperatura según gráfico.
- Resistente a la abrasión. Buena resistencia mecánica.
- No tóxico y libre de corrosión. Apto para uso alimentario.
- Resistente a gran variedad de sustancias químicas inorgánicas.
- Resistente a la mayoría de soluciones ácidas, alcalinas o sales.
- Ideal para instalaciones exteriores.
- No es necesario soporte especial para tubo rígido.
- Posibilidad de unión con adhesivo, por junta elástica o por rosca.
- Fácil instalación.
- No resistente a hidrocarburos aromáticos o clorados (ver tabla de resistencias químicas).



PVC-C

DESCRIPTION

The abbreviation PVC-C stands for chlorinated polyvinylchloride. It is made by post-chlorination of PVC whereby chlorine is attached to the PVC chain. Thus PVC-C is a transformed PVC-U material which, because of its chemical form, is characterised by a higher temperature resistance than PVC-U, with concurrent higher tensile strength, good tenacity and exceptional chemical resistance. Its flammability resistance is even more exceptional than PVC-U. These characteristics have made PVC-C an interesting substitute for piping in the chemical industry as well as for diverse other demanding industrial applications.

PVC-C

DESCRIPCIÓN

PVC-C es la abreviatura de policloruro de vinilo clorado. Se obtiene mediante la post-cloración del PVC, por la que el cloro es agregado a la cadena del PVC. Así, el PVC-C es una transformación del PVC-U que, a causa de su formulación química, se caracteriza por soportar una temperatura mayor que el PVC-U, con el consecuente incremento de resistencia a la tracción, buena tenacidad y excelente resistencia química. Su resistencia a la inflamación es superior al PVC-U. Estas características han hecho del PVC-C un buen sustituto para conducciones en la industria química u otras aplicaciones industriales.

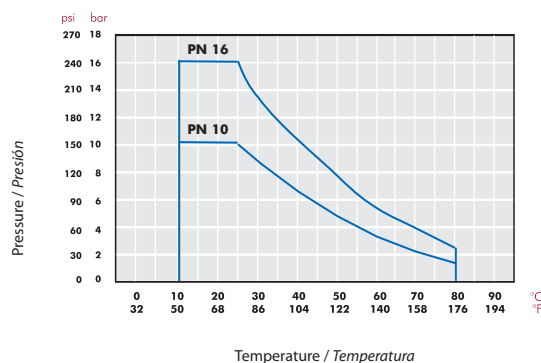


GENERAL MATERIAL FEATURES

- Temperature range: 10°C to 80°C for continuous working. Nominal pressure in function of the temperature according diagramm.
- Abrasion resistant. Good mechanical strength.
- Non-toxic and taint free. Suitable for food and drinking use.
- Non flammable and self extinguishing.
- Resistant to many inorganic chemicals.
- Resistant to most solutions of acids, alkalis and salts.
- Pipes are suitable for above ground use.
- Rigid pipes: no special support needed.
- Jointing by cold solvent welding, rubber ring mechanical joints or threaded.
- Easy installation.
- Not resistant to organic solvents (see chemical resistance chart for details).

CARACTERÍSTICAS GENERALES DEL MATERIAL

- Rango de temperaturas: 10°C a 80°C en trabajo continuo. Presión nominal en función de la temperatura según gráfico.
- Resistente a la abrasión. Buena resistencia mecánica.
- No tóxico y libre de corrosión. Apto para uso alimentario.
- No inflamable y auto-extinguible.
- Resistente a gran variedad de sustancias químicas inorgánicas.
- Resistente a la mayoría de soluciones ácidas, alcalinas o sales.
- Tubería recomendada para instalaciones por encima del suelo.
- No es necesario soporte especial para tubo rígido.
- Posibilidad de unión con adhesivo, por junta elástica o por rosca.
- Fácil instalación.
- No resistente a disolventes orgánicos (ver tabla de resistencias químicas).



PP

DESCRIPTION

Polypropylene (PP) piping systems are widely used in industrial processing. Light in weight yet with high impact strength and reliable heat fusion welding, PP also offers good abrasion resistance and is a good thermal and electrical insulator. PP is suitable for working use at temperatures up to 80°C, and will withstand short term use at a maximum 110°C. Chemical resistance is excellent: PP is resistant to aqueous solutions of acids, alkalis and salts, and to a large number of organic solvents.

PP

DESCRIPCIÓN

Los sistemas de conducción en polipropileno (PP) son ampliamente usados en procesos industriales. De peso reducido y de gran resistencia al impacto son capaces de ser soldados, el PP también ofrece gran resistencia a la abrasión y es buen aislante térmico y eléctrico. El PP puede trabajar en temperaturas de hasta 80°C y, a corto plazo, puede soportar hasta 110°C. Su resistencia química es excelente: es resistente a soluciones acuosas de ácidos, alcalinos y sales, y a un gran número de disolventes orgánicos.

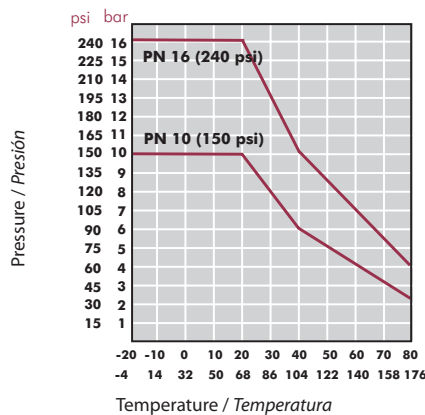


CARACTERÍSTICAS GENERALES DEL MATERIAL

- Temperature range: 5°C a 80°C in continuous working. Nominal pressure in function of the temperature according diagramm..
- High impact resistance. High toughness.
- Good insulating.
- Light weight.
- High thermal expansion.
- Non toxic and taint-free. Suitable for food and drinking use.
- Resistant to acids, alkalis, salts and organic solutions.
- Ideal for installations above or below ground.
- Jointing by thread, socket fusion or butt welding.
- Not resistant to concentrated oxidising acids.

CARACTERÍSTICAS GENERALES DEL MATERIAL

- Rango de temperaturas: 5°C a 80°C en trabajo continuo. Presión nominal en función de la temperatura según gráfico.
- Alta resistencia al impacto. Alta tenacidad.
- Buen aislante.
- Peso reducido.
- Alta expansión térmica.
- No tóxico y libre de corrosión. Apto para uso alimentario.
- Resistente a ácidos, alcalinos, sales y soluciones orgánicas.
- Ideal para instalaciones exteriores o enterradas.
- Posible union roscada, por termofusión o soldadura a tope.
- No resistente a ácidos oxidantes concentrados.



	Density (g/cm ³)	Working temperature (°C)
PVC-U	1,40	10 - 60 °C
PVC-C	1,50	10 - 80 °C
PP	0,91	5 - 80 °C
PE100	0,93	-40 - 60 °C

PE100

DESCRIPTION

One of the major benefits is that polyethylene is virtually unbreakable due to impact at temperatures above 5°C, and remains very tough at temperatures as low as -40°C. It is also exceptionally resistant to abrasion, and will outlast steel or other hard materials in most slurry handling applications. Polyethylene is relatively low in weight, and its flexibility makes it suitable for temporary pipelines which are laid on rough ground or where buried in unstable ground conditions. It has very good chemical resistance, and will withstand most acids and caustic substances. It is insoluble in all organic and inorganic solvents at 20°C, but it will not resist strong oxidising acids.

PE100

DESCRIPCIÓN

Uno de los mayores beneficios del polietileno es que es prácticamente irrompible por impacto a temperaturas mayores de 5°C, y permanece duro incluso a temperaturas de -40°C. También es excepcionalmente resistente a la abrasión y más duradero que el metal u otros materiales duros. El PE es relativamente ligero y su flexibilidad lo hace ideal para instalaciones enterradas. Tiene una buena resistencia química y soporta muchos ácidos y sustancias cáusticas. Es insoluble en soluciones a 20°C, pero no resiste ácidos oxidantes fuertes.



GENERAL MATERIAL FEATURES

- Temperature range from -40°C to +60°C in continuous working. Nominal pressure in function of temperature according diagramm.
- Wide range of sizes.
- High impact resistance.
- Exceptionally resistant to abrasion.
- Non-toxic.
- Resistant to many acids, alkalis, organic and inorganic solvents.
- Flexible and therefore suitable for buried or surface pipelines.
- UV resistant.
- Not resistant to strong oxidising acids.
- Special welding equipment required when fusion jointing techniques are used.

CARACTERÍSTICAS GENERALES DEL MATERIAL

- Rango de temperaturas -40°C a +60°C en trabajo continuo. Presión nominal en función de la temperatura según gráfico..
- Amplia gama de medidas.
- Alta resistencia al impacto.
- Excepcionalmente resistente a la abrasión.
- No tóxico.
- Resistente a muchos ácidos, alcalinos y soluciones orgánicas e inorgánicas.
- Flexible, ideal para instalaciones enterradas.
- Resistente a rayos UV.
- No resistente a ácidos oxidantes fuertes.
- Es necesaria maquinaria de soldadura específica para las uniones electrosoldables o a tope.

Impact resistance	Environment	Assembly
HIGH	UV resistant (Cepex)	Solvent cement / Thread / Flange <i>Encolado / Roscado / Brida</i>
HIGH	UV resistant (Corzan)	Solvent cement / Thread / Flange <i>Encolado / Roscado / Brida</i>
VERY HIGH	UV resistant (Cepex)	Fusion welding / thread / Flange <i>Termofusión / Roscado / Brida</i>
VERY HIGH	UV resistant	Electrofusión / Butt fusion / Flange <i>Electrofusión / Soldadura a tope / Brida</i>

CEPEX OTHER MATERIALS

OTROS MATERIALES CEPEX

EPDM

Elastomeric component with high aging resistance, to the ozone, UV and lots of corrosive agents. Resistant to several acids, alkalis, detergents, ketones, alcohols and glycols, although the chemical resistance will be determined not only by the chemical product, but also by the working conditions. With high mechanical strength, as much as very good flexibility at low temperatures. With a perfect behaviour on the aging, on the environmental agents if it's installed outdoors for a long time. The EPDM is also a good solution for the use with hot water and steam. There exist a variety of EPDM highly recommended for food industry applications.

- Heat resistant, temperature range from -40°C to 130°C in continuous working.
- Light weight.
- Good deformation level.
- High resistance to environmental agents.
- Very good mechanical properties.
- High resistance to ozone and acid and alkaline solutions.
- Not resistant to hydrocarbons or oils and petroleum derivatives greases.

FPM

Fluorinated carbon elastomer with high chemical compatibility, mainly used for the transport of aliphatic hydrocarbons, aromatic and chlorinated. Excellent resistance to temperatures, it can work continuously up to 230°C , with peaks of more than 300°C . Very low permeability to gas, good mechanical properties, but only in low temperatures. The fluorine based mixings have a high resistance to the oxygen and the ozone action also in high temperatures, they are compatible with lots of fluids synthetics or minerals and great resistance to the fire exposure with self-extinguishing properties. The limit of this mixing is the low resistance to low temperatures, very important in dynamic applications, where is not recommended the temperature below 15°C .

- Excellent resistance to high temperatures: 15°C to 230°C for continuous working.
- Self-extinguishing.
- Resistant to the ozone, UV and environment.
- Low permeability to gas.
- Good properties of electric resistance.
- Low resistance to esters and ketones.
- Not good behaviour in low temperatures.

NBR

The Nitrile Butadiene Rubber (NBR) is the most used rubber in articles in contact with mineral oils. Offers a great compatibility with lots of applications with air, water or domestic fuel. Good mechanical properties. Its properties are different depending the content in nitrile, with more toughness and resistance to the oils and abrasion when its content is high. It can be used in temperatures from -20°C to 120°C and offers a moderated resistance to environmental conditions and UV.

- Wide temperature range: -20°C to 120°C in continuous working.
- Excellent resistance to oils.
- Very good mechanical properties.
- Very good solvent resistance.
- Very good adherence to metals.
- Good flexion resistance.
- Low resistance to the ozone.
- Not resistant to sulphureted greases.
- Flammable.
- Low gas permeability.

EPDM

Componente elastómero de excelente resistencia al envejecimiento, al ozono, a los rayos UV y a numerosos productos químicos corrosivos. Es resistente a muchos ácidos, álcalis, detergentes, cetonas, alcoholes y glicoles, aunque la resistencia química vendrá determinada no sólo por el producto químico, sino también por las condiciones de trabajo. Todo esto va unido a unas elevadas propiedades mecánicas, así como muy buenas propiedades de flexibilidad a bajas temperaturas. Posee un inmejorable comportamiento frente al envejecimiento, a los agentes climáticos en su uso a la intemperie a largo plazo. Es muy apto para usos de exterior. El EPDM es asimismo muy adecuado para su uso con agua caliente y vapor. Existe también un compuesto EPDM muy recomendado para aplicaciones en industria alimentaria.

- Resistente al calor, con un rango de temperaturas de -40°C a 130°C a trabajo en continuo.
- Peso ligero.
- Buen nivel de deformación.
- Excelente resistencia a la intemperie y los agentes atmosféricos.
- Elevadas propiedades mecánicas.
- Muy resistente al ozono y a soluciones ácidas y alcalinas.
- No resistente a hidrocarburos o aceites y grasas derivadas del petróleo.

FPM

Es un elastómero de carbono fluorado con una extensa compatibilidad química, usado principalmente para la conducción de hidrocarburos alifáticos, aromáticos y clorados. Se caracteriza por su excelente resistencia a la temperatura, pudiendo trabajar en continuo a 230°C , con puntas de más de 300°C . Presenta muy baja permeabilidad a los gases, así como buenas propiedades mecánicas, aunque éstas se reducen a temperaturas bajas. Las mezclas a base de flúor presentan una alta resistencia a la acción del oxígeno y del ozono también a altas temperaturas, son compatibles con muchos fluidos tanto minerales como de síntesis y presentan resistencia a la exposición a la llama con propiedades autoextinguibles. El límite de esta mezcla está en la escasa resistencia a las bajas temperaturas, sobre todo en aplicaciones dinámicas, donde se desaconseja la utilización a temperaturas inferiores a 15°C .

- Excelente resistencia a temperaturas altas: 15°C a 230°C a trabajo en continuo.
- Autoextinguible.
- Resistente al ozono, rayos UV y a la intemperie.
- Baja permeabilidad a gases.
- Buenas propiedades de resistencia eléctrica.
- Débil resistencia a los ésteres y cetonas.
- Comportamiento moderado a baja temperatura.

NBR

La goma de nitrilo butadieno (NBR) es el caucho más usado en artículos que están en contacto con aceites minerales. Ofrece una excelente compatibilidad con la mayoría de aplicaciones con aire, agua o fuel doméstico. Ofrece buenas propiedades mecánicas. Sus propiedades varían según el contenido de nitrilo, ofreciendo mayor dureza y resistencia a los aceites y la abrasión cuando el contenido es alto. Puede usarse en temperaturas desde -20°C a 120°C y ofrece una resistencia moderada a las condiciones ambientales y los rayos UV.

- Amplio rango de temperaturas: -20°C a 120°C a trabajo en continuo.
- Excelente resistencia a los aceites.
- Muy buenas propiedades mecánicas.
- Muy buena resistencia a los solventes.
- Muy buena adhesión a los metales.
- Buena resistencia a la flexión.
- Escasa resistencia al ozono.
- No resiste grasas azufradas.
- Inflamable.
- Baja permeabilidad a los gases.

EVA

The Ethilene copolymer and Vinile Acetate (EVA) is a very elastic material that could be synthetized to create a porous material similar to rubber, but with an excellent resistance. It shows good properties in protection, toughness at low tempreatures, resistance to the scratchings by tension, impermeability proprieties and resistance to UV. Resitant to acids and diluted alkalis, alcohols and alifatic hydrocarbons. It offers several conforming options, as the material could be printed, punching, cut, glued and it is easy to mould with heat. Moderated temperature resistance, with a maximum temperature of 60°C for the continous working.

- Good transparency and gloss.
- Odourless.
- Low water absortion.
- Non toxic and environmental friendly.
- Elastic and light weight.
- Easy to cut, glue and paint.
- Not resistant to aromatic or halogenated hydrocarbons.

HDPE

The High Density PolyEthilene is the synthetic polymer most produced in the world. It is odourless, colourless, non toxic and it is created at a low pressure. By its physical and chemical composition it presents a high resistance to hits and chemical products. Although is less ductile than the low density polyethilene, it is stronger, tougher and four times less permeable. If we add black coal as a pigmentation to the final mix, the materials and prodcuts in HDPE are also resistant to UV. The HDPE is recyclable, it can be used again for extrusion process or press moulding, saving the same material quality.

- Temperature range: -100°C to 120°C in continous working.
- Corrosion free.
- Good mechanical proprieties.
- Non permanent deformations.
- Flexible, although at low temperatures.
- High resistance to weak acids and alkalis.
- Minimal pressure losses due to friction.
- Light weight and easy to transport.
- Long life.
- Recyclable.

PTFE

PTFE is a thermoplastic polymer of tetrafluoroethylene commonly known as TEFLON®. It is unique for its chemical resistance to products like acids, alkalis and organic solvents, although it gets a light swelling in front of fluorated hydrocarbons. In case of high temperatures and pressures, the alkaline liquid metals and some fluorated composants attack to the PTFE. The friction coefficient is very low in static and dynamic applications, offering a smooth and repellent surface. It has an excellent outdoor resistance, that allows its installation in UV exposure, wet or freeze temperatures. Moreover than the wide thermal range, the PTFE is physiologically harmless up to the working temperature of 200°C, so it is completely compatible with the food industry.

- Wide temperature range: -200°C to 250°C at continous working.
- Excelent electrical insulating.
- Excellent ressitance to UV and environment.
- Low friction coefficient.
- Self-lubricant.
- Non elastic.
- Non flammable.
- Physiologically inert (adequated for food contact).
- Chemically inert.
- Low mechanical proprieties respect other plastic materials.

EVA

El copolímero de etileno y acetato de vinilo (EVA) es un material muy elástico que puede ser sinterizado para formar un material poroso similar al caucho, pero con excelente resistencia. Presenta buenas propiedades de protección, firmeza a bajas temperaturas, resistencia a las fisuras por tensión, propiedades impermeables y resistencia a la radiación ultravioleta. Es resistente a ácidos y álcalis diluidos, alcoholes e hidrocarburos alifáticos. Ofrece múltiples opciones de conformado, porque el material puede ser impreso, troquelado, cortado, pegado y es fácil de moldear al calor. Su resistencia a la temperatura es moderada, con una temperatura máxima de 60°C para el trabajo en continuo.

- Buena transparencia y brillo.
- Inodoro o con muy poco olor.
- Baja absorción de agua.
- No es tóxico ni dañino al medio ambiente.
- Elástico y ligero.
- Es fácil de pegar, cortar y pintar.
- No resistente a hidrocarburos aromáticos o halogenados.

HDPE

El polietileno de alta densidad es el polímero sintético de mayor producción en el mundo. Tiene la característica de ser incoloro, inodoro, no ser tóxico y se obtiene a baja presión. Por su composición física y química es sumamente resistente a los golpes y a productos químicos. Aunque es menos dúctil que el polietileno de baja densidad, es más fuerte, más duro y cuatro veces menos permeable. Si se agrega carbón negro como pigmentación a la mezcla final, los materiales y productos en HDPE también son resistentes a los rayos UV. El HDPE es además reciclable, pudiendo ser reutilizado para procesos de extrusión o moldeo por prensado, y manteniendo una calidad bastante regular.

- Rango de temperaturas: -100°C a 120°C a trabajo en continuo.
- No presenta corrosión.
- Buenas propiedades mecánicas.
- No mantiene deformaciones permanentes.
- Es flexible, incluso a bajas temperaturas.
- Muy resistente a ácidos débiles y álcalis.
- Las pérdidas de carga por fricción son mínimas.
- Es ligero y fácil de transportar.
- Tiene una larga vida útil.
- Es reciclable.

PTFE

El PTFE es un polímero termoplástico de tetrafluoretileno comúnmente conocido como TEFLON®. Se distingue por su excelente resistencia a productos químicos como ácidos, álcalis y disolventes orgánicos, aunque sufre un ligero hinchamiento frente a los hidrocarburos fluorados. En caso de presiones y temperaturas elevadas, los metales alcalinos líquidos y algunos compuestos fluorados atacan al PTFE. El coeficiente de fricción es muy bajo tanto en aplicaciones estáticas como dinámicas, ofreciendo una superficie lisa y repelente. Tiene una excelente resistencia a la intemperie, que permite su instalación en ambientes con exposición solar, humedad o temperaturas de congelación. Además de presentar una gama de aplicación térmica muy amplia, el PTFE es fisiológicamente inocuo hasta la temperatura de servicio de 200°C, por lo que es totalmente compatible con la industria alimentaria.

- Amplio rango de temperaturas: -200°C a 250°C a trabajo en continuo.
- Excelente aislante eléctrico.
- Sobresaliente resistencia a la intemperie i rayos UV.
- Bajo coeficiente de rozamiento.
- Es autolubricante
- No es elástico.
- No es inflamable.
- Es fisiológicamente inerte (adecuado para contacto con alimentos).
- Químicamente inerte.
- Propiedades mecánicas moderadas respecto otros materiales plásticos.

AVAILABLE STANDARDS

STANDARDS DISPONIBLES

Union systems for PVC-U and PVC-C available for several worldwide regulations, accomplished by the Cepex product and its equivalences. Solvent socket and threaded unions.

Sistemas de unión para PVC-U y PVC-C disponibles para las distintas normativas mundiales cumplidos por producto Cepex y sus equivalencias. Unión por encolado y roscado.

DN	SIZE		Metric	British (BSi)		Thai (TH)		Indonesia		Brazil	American size	Australia	Japan (JIS)
	inch	Ø mm	Available	Available	Equiv.	Available	Equiv.	Available	Equiv.	Available	Available	Available	Available
	¼"	12	X										
10	¾"	16	X	X							X		
15	½"	20	X	X		X		X	TH		X		X
20	¾"	25	X	X		X		X	BS		X		X
25	1"	32	X	X		X		X	Metric		X		X
32	1¼"	40	X	X		X	BS	X	BS		X		X
40	1½"	50	X	X		X	BS	X	BS		X	X	X
50	2"	63	X	X		X		X	TH	60 mm	X	X	X
65	2½"	75	X	X	Metric	X		X	TH	85 mm	X		X
80	3"	90	X	X		X		X	BS		X		X
100	4"	110	X	X		X	BS	X	BS		X		X
125	4½"	125	X										
125	5"	140	X	X	Metric	X	Metric	X	Metric		X		
150	6"	160	X	X		X		X	WD		X		X
175	7"	180	X										
200	8"	200	X	X				X	BS				X
200	8"	225	X	X		X		X	WD		X		
250	9"	250	X					267 mm					
250	10"	280	X										
300	12"	315	X					318 mm					

List of installation regulations according to each standard.

Listado de normativas de instalación referentes a cada standard.

Standards	Solvent socket PVC-U / PVC-C
Metric Standard	ISO EN 1452 / ISO EN 15493
British Standard	BS 4346-1
American Standard	ASTM D 2467
Japanese Standard	JIS K 6743
Brazil Standard	-
Australian Standard	-
Thai Standard	-
Indonesian Standard	-

Standards	Termofusion PP-H / PE-100
Metric Standard	EN ISO 15494
American Standard	ASTM F2389

Standards	Threaded	Flanges
Metric Standard	ISO 7/1	ISO EN 1452 / ISO EN 15493 ISO EN 558 Serie 1 DIN 3202-1
British Standard		BS EN 1092-1
American Standard	ASTM D2466 (Schedule 40)	ANSI ASME B16.5 class 150 ANSI ASME 16.5/16.34 class 150
Japanese Standard	-	JIS B2220

TYPES OF THREADS

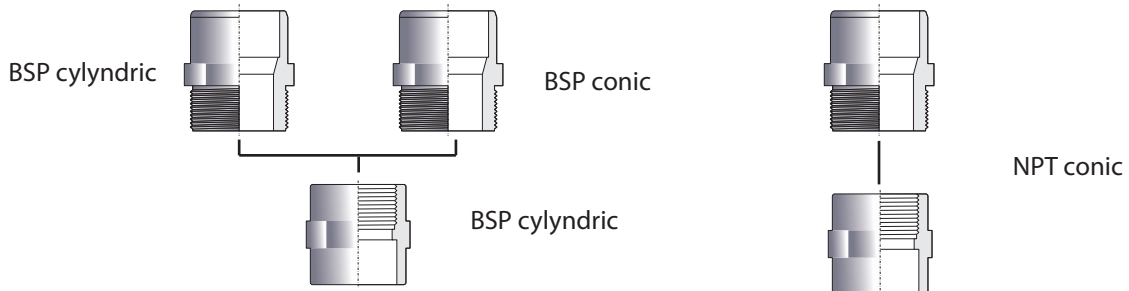
The combinations of thread types used in the unions between fittings and between valves and fittings in the Cepex manufactured systems are the following:

Thread BSP cylindrical male / Thread BSP cylindrical female: The water tightness is made through a elastic o-ring. It is needed to thread until the bottom of the thread to push the o-ring.

Thread BSP conic male / Thread BSP cylindrical female: the water tightness is made between the teeth of the 2 threads with the PTFE covering added in the male thread by the installer. It is highly banned the use of paste, liquid sealings, etc. It is not needed to thread until the bottom of the thread, in case of the Cepex fittings, there is a security stop to avoid the torque excess.

Thread NPT conic male / Thread NPT conic female: it is concerning the american standard in conical type. The water tightness is made between the teeth of the 2 threads with the PTFE covering added in the male thread by the installer. It is highly banned the use of paste, liquid sealings, etc. It is not needed to thread until the bottom of the thread.

The combination between threads BSP and NPT is not possible due to the thread pass is not the same.



TIPOS DE ROSCAS

Las combinaciones de tipos de roscas utilizadas en las uniones entre accesorios y entre válvulas y accesorios en los sistemas fabricados por Cepex son las siguientes:

Rosca BSP cilíndrica macho / Rosca BSP cilíndrica hembra: la estanqueidad se realiza por junta elástica. Es necesario collar hasta el fondo de la rosca para presionar la junta.

Rosca BSP cónica macho / Rosca BSP cilíndrica hembra: la estanqueidad se realiza entre los dientes de las dos roscas por el recubrimiento de PTFE añadido en la rosca macho por el instalador. Queda expresamente prohibido el uso de pastas o selladores líquidos, etc. No se debe roscar hasta el tope de la rosca, en caso de los accesorios Cepex, existe un tope de seguridad para evitar el exceso de apriete.

Rosca NPT cónica macho / Rosca NPT cónica hembra: se refiere a un estándar americano de tipo cónico. La estanqueidad se realiza entre los dientes de las dos roscas por el recubrimiento de PTFE añadido en la rosca macho por el instalador. No se debe roscar hasta el tope de la rosca.

La combinación entre roscas BSP y NPT no es posible debido a que el paso de la rosca no es el mismo.

The usual naming of any of these thread types is:
 BSP cylindric male and female: Gas thread according ISO 228-1 (i.e. G1/8).
 BSP conic male: Gas conic thread according ISO 7-1 (i.e. male R1/8).

Moreover, there exists other types of threads non standard that are used for the union of the different components of a valve. i.e. in the unions between the body and the nuts of the Cepex ball valve are the following thread types:
 [STD] Series and e-Qua Series: saw tooth thread.
 Standard Series, Industrial Series and PN10 Series: keystone thread.
 These 2 types of thread aren't compatible between them.

Threaded unions in different material fittings:
 In case of threaded unions in metal fittings with plastic fittings, it is recommended that the plastic one will be the one with the male thread and the metallic one with the female thread. In this way, it is possible to avoid the cracking of the plastic article and possible leakage due to temperature changings, as the expansion coefficients are very different. In case of fittings made in different plastic materials, the threaded unions don't represent any problem.

La denominación habitual de algunos de estos tipos de roscas es la siguiente:
 BSP cilíndrica macho y hembra: rosca Gas según ISO 228-1 (por ejemplo G1/8).
 BSP cónica macho: rosca Gas cónica según ISO 7-1 (por ejemplo macho R1/8).

Además, existen otros tipos de roscas no estandarizadas que se utilizan para unir los distintos componentes de una válvula. Por ejemplo, en las uniones entre el cuerpo y las tuercas de una válvula de bola fabricada por Cepex, se utilizan los siguientes tipos de roscas:
 Gama de válvulas [STD] y Serie e-Qua: rosca de diente de sierra.
 Gama de válvulas Serie Standard, Serie Industrial y Serie PN10: rosca trapezoidal.
 Estos dos tipos de rosca no son compatibles entre sí.

Uniones roscadas de accesorios de diferentes materiales:
 En caso de uniones roscadas de accesorios metálicos con accesorios de plástico, se recomienda que el accesorio de material plástico sea el que tenga la rosca macho y el metálico la rosca hembra. Con ello, se podrán evitar en mayor medida la rotura de la pieza de plástico y posibles fugas por cambios de temperatura, ya que los coeficientes de dilatación son muy diferentes. En caso de accesorios de diferentes materiales plásticos, la unión mediante rosca no debe presentar problemas.

HYDRAULIC CONCEPTS

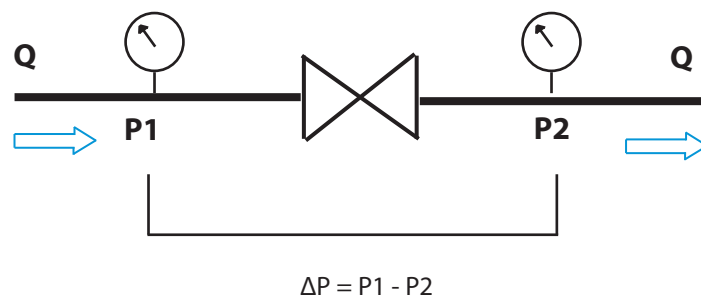
CONCEPTOS HIDRÁULICOS

RELATIVE FLOW COEFFICIENT (Kv / Cv)

When the flow is passing through a valve, fitting or any other component with flow restriction, it loses an amount of energy in the way of pressure loss. The **relative flow** is a factor depending on the element design and that relates the pressure difference (ΔP) between the inlet (P1) and the outlet of the element (P2) with the flow (Q).

COEFICIENTE DE CAUDAL (Kv / Cv)

Cuando el flujo pasa a través de una válvula, accesorio u otro dispositivo restrictivo de caudal, pierde una energía en forma de pérdida de carga o presión. El **coeficiente de caudal** es un factor que depende del diseño del elemento y que relaciona la diferencia de presión (ΔP) entre la entrada (P1) y salida del dispositivo (P2) con el caudal (Q).



Kv is the relative flow in metric units. It is defined as the flow in cubic meters per hour [m³/h] of water at a temperature of 16° that causes a pressure loss of 1 bar.

Cv is the relative flow in british units. It is defined as the flow in US gallons per minute [gpm] of water at a temperature of 60°F that causes a pressure loss of 1 psi.

$$Kv = 0.865 \cdot Cv$$

$$Cv = 1,156 \cdot Kv$$

With the same flow, as bigger is the relative flow, the pressure losses through the element are lower. So, knowing the relative flow allows to choose the valve needed in a concrete application within different types of valves or within valves of different manufacturers.

If the valve is gonna be most of the time open, possibly it is more interesting to choose a valve with low pressure loss. If it is a valve with flow control, it is important to know the range of relative flow in the different opening positions.

Kv es el coeficiente de caudal en unidades métricas. Se define como el caudal en metros cúbicos por hora [m³/h] de agua a una temperatura de 16°C que provoca una caída de presión de 1 bar.

Cv es el coeficiente de caudal en unidades imperiales. Se define como el caudal en galones US por minuto [gpm] de agua a la temperatura de 60°F con una caída de presión de 1 psi.

$$Kv = 0.865 \cdot Cv$$

$$Cv = 1,156 \cdot Kv$$

A igualdad de flujo, contra mayor es el coeficiente de caudal, las pérdidas de carga a través del elemento son menores. Por tanto, conocer el coeficiente de caudal permite seleccionar la válvula que se necesita en una aplicación entre los diferentes tipos de válvulas y entre válvulas de diferentes fabricantes.

Si la válvula va a estar la mayor parte del tiempo abierta, posiblemente interesará elegir una válvula con poca pérdida de carga. Si se trata de una válvula de control de caudal, será importante conocer el rango de coeficientes de caudal en las diferentes posiciones de apertura.

PRESSURE LOSS CALCULATION IN AN INSTALLATION

The pressure loss of an installation is calculated through the addition of the individual pressure loss of each element and the one produced by the height difference in the pipes.

$$\sum \Delta P = \Delta P_1 + \Delta P_2 + \Delta P_n$$

In case of the **valves**, the relative flow coefficient (Kv/Cv) represents an standard value that is usually published by all the valve manufacturers and that allow to do calculations for the installation pressure loss.

In the case of Kv for inapprehensible fluids:

$$\Delta P = \rho \cdot (Q/Kv)^2$$

ΔP : Pressure difference (bar)

Q: Flow (m³/h)

Kv: Relative flow coefficient (m³/h)

ρ : Fluid density (water = 1 g/cm³)

In case of **fittings**, is not usual the publishing of this value, but there exist documentation about the empirical values of flow resistance according the following formula and chart

$$\Delta P = k \cdot v^2 / (2 \cdot 10^5) \cdot \rho$$

ΔP	Pressure losses (bar)	
k	1,2	90° Elbow
	0,3	45° Elbow
	1,3	90° Tee
	0,5	Reduction
v	Flow speed (m/s)	
ρ	Flow density (kg/m ³)	

In case of **pipes**, it is recommended to think that the fluid is turbulent (Re>2400), as it is the most common case in the most of the installations. There exist calculation abacus that uses the pipe internal diameter and the material rugosity. Example.

CÁLCULO PÉRDIDAS DE CARGA EN LA INSTALACIÓN

La pérdida de carga de una instalación se calcula a partir de la suma de las pérdidas de carga individual de cada elemento y de las producidas por las diferencias de altura de los conductos.

$$\sum \Delta P = \Delta P_1 + \Delta P_2 + \Delta P_n$$

En el caso de **válvulas**, el coeficiente de caudal (Kv/Cv) es un valor estandarizado que normalmente publican todos los fabricantes y que permite realizar cálculos sobre la pérdida de carga de la instalación.

En el caso del Kv para fluidos incompresibles:

$$\Delta P = \rho \cdot (Q/Kv)^2$$

ΔP : Diferencia de presión (bar)

Q: caudal (m³/h)

Kv: coeficiente de caudal (m³/h)

ρ : densidad fluido (Agua = 1 g/cm³)

Para los **accesorios termoplásticos**, existen unos valores genéricos, según su geometría, que se expresan en valores empíricos de resistencia al flujo según la fórmula y la tabla siguiente:

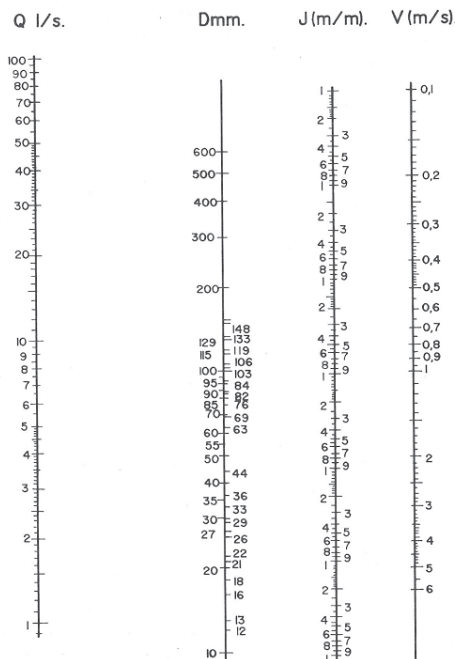
$$\Delta P = k \cdot v^2 / (2 \cdot 10^5) \cdot \rho$$

Para las pérdidas de carga en las **tuberías**, se recomienda suponer que el fluido está en régimen turbulento (Re>2400), ya que es el caso más habitual de la mayor parte de instalaciones. Existen ábacos de cálculo a partir del diámetro interior de la tubería y de la rugosidad del material.

Adjuntamos un ejemplo para PVC-U:

Approximated values conditioned by the temperature / pressure / pipe thickness

Valores aproximados condicionados por temperatura / presión / grosor tubería



Tisson abacus for the pressure loss determination in plastic systems. "Hidráulica aplicada a proyectos de riego" de M.A. Martínez Cañadas.

Ábaco de Tisson para la determinación de pérdidas de carga en conducciones de plástico. "Hidráulica aplicada a proyectos de riego" de M.A. Martínez Cañadas.

It is also needed to know the pressure losses caused by the **high difference** (static pressure) within the pipes, according to the following formula (Bernoulli Theorem):

$$\Delta P = \Delta H \cdot (\rho \cdot g) / 100$$

ΔP : Pressure difference (bar)
 ρ : Fluid density (g/cm³)
 g : Gravity constant (10 m/s²)

RECOMMENDED FLOW SPEED

The fluid flow speeds in the water systems cannot exceed the limits, in order to avoid the noise and the attrition of pipe and fittings, as there could be more danger of cavitation and water hammers. There is a recommended range for generic liquids installations:

$v = 0,5 - 1 \text{ m/s}$ Suction
 $v = 1 - 3 \text{ m/s}$ Discharge

From the determination of the maximum fluid speed according to the above values and the necessary flow in the application, it is possible to calculate the approximated diameter of the installation using the following formula:

$$d = 18,83 \cdot \sqrt{(Q/v)}$$

Q : flow (m³/h)
 d : internal pipe diameter (mm)
 v : flow speed (m/s)

WATER HAMMER AND CAVITATION

The **water hammer** is the increase of the pipe pressure due to the low elasticity of the fluid. It could be caused by a valve opening/closing, a pump opening/closing or by the movement of the air inside a pipe.

For high fluid speed and long systems, the water hammer due to pressure change will be higher.

It is a dangerous action, as the overpressure generated could achieve between 60 and 100 times the nominal pressure of the pipe. To avoid this happening it is recommended the valve manipulation at a slow speed and to add security devices like air vacuum valves.

The **cavitation** is an effect produced when the fluid is affected by a change of speed due to friction with sharp edges, causing a decompression of the fluid. This pressure change could cause steam bubbles, that explode against the walls to recover the liquid state and produces damages to the installation. To avoid it, it is recommended to follow the fluid speed recommendations explained above, to avoid hard changes in the pipe section and to calculate a correct sizing on the pipes and the pump.

También es necesario tener en cuenta las pérdidas de carga debidas a las **diferencias de altura** (presión estática) entre los conductos de la instalación, según la siguiente fórmula (Teorema de Bernoulli):

$$\Delta P = \Delta H \cdot (\rho \cdot g) / 100$$

ΔP : Diferencia de presión (bar)
 ρ : Densidad de fluido (g/cm³)
 g : constante gravitatoria (10 m/s²)

VELOCIDADES DEL FLUIDO RECOMENDADAS

Las velocidades de flujo de fluidos en los sistemas de agua no deben exceder ciertos límites para evitar el ruido y el desgaste de tubos y accesorios, ya que existe mayor peligro de cavitación y de golpes de ariete. Existe un rango recomendado para instalaciones de uso genérico para líquidos:

$v = 0,5 - 1 \text{ m/s}$ Aspiración
 $v = 1 - 3 \text{ m/s}$ Impulsión

A partir de la determinación de la velocidad máxima del fluido según los valores anteriores y del caudal necesario en la aplicación, es posible calcular el diámetro aproximado de la instalación a partir de la fórmula:

$$d = 18,83 \cdot \sqrt{(Q/v)}$$

Q : caudal (m³/h)
 d : diámetro interior del conducto (mm)
 v : velocidad del fluido (m/s)

GOLPES DE ARIETE Y CAVITACIÓN

El **golpe de ariete** es el aumento de la presión en la tubería debido a la ligera elasticidad del fluido. Puede estar provocado por la manipulación de una válvula, la maniobra de la bomba o por el movimiento de aire atrapado en la tubería.

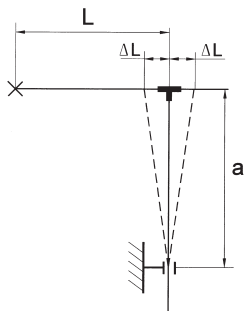
A velocidades de fluido altas y con conducciones largas, el golpe por el cambio de presión será mayor.

Es un fenómeno muy peligroso, ya que la sobrepresión generada puede llegar a ser entre 60 y 100 veces la presión nominal de la tubería. Para evitar este fenómeno es recomendable manipular las válvulas a una velocidad lenta y añadir dispositivos de seguridad tales como ventosas de aireación.

La **cavitación** es un efecto que se produce cuando el fluido sufre un cambio de velocidad por el rozamiento con aristas afiladas, provocando una decompresión del fluido. Este cambio de presión puede provocar burbujas de vapor, que al implosionar en las paredes para volver a estado líquido, produce graves daños a la instalación. Para evitarla, es recomendable seguir las recomendaciones de velocidad del fluido tratadas en el punto anterior, evitar cambios bruscos de sección de tubería y realizar un correcto dimensionamiento de los conductos y de la bomba.

EXPANSION CALCULATION

α = Dilatation coefficient in mm/(m·°C)
 ΔT = temperature change in °C
 ΔL = contraction or expansion in mm
 a = necessary length to flex in m
 D = diameter in mm
 L = length in m.



CÁLCULO DE DILATACIONES

α = Coeficiente de dilatación in mm/(m·°C)
 ΔT = cambio de temperatura en °C
 ΔL = contracción o alargamiento en mm
 a = longitud necesaria para la flexión en m
 D = diámetro en mm
 L = longitud en m.

$$\Delta L = L \times \Delta T \times \alpha$$

$$a = 33,5 \sqrt{D \times \Delta L}$$

	Units	PVC-U	PVC-C	PP	PE
Dilatation coefficient α Coeficiente de dilatación α	mm/(m·°C)	0,08	0,06	0,16	0,2

Fix points distribution:
 Place the fixing points (F) in order to equalise the free dilatation lengths (Fig. 1).

Distribución de los puntos fijos: Situar los puntos fijos (F) de forma que se repartan las longitudes libres de dilatación (Fig. 1).

Sometimes it is necessary to put expansion curls in order to compensate the length changes (Fig. 2).

En ciertos casos puede ser necesario recurrir a bucles de expansión, con objeto de absorber cambios de longitud (Fig. 2).

Fig. 1

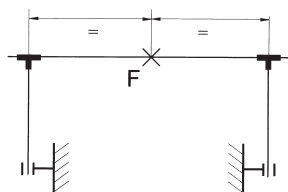
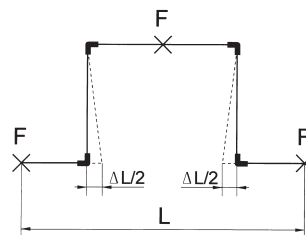
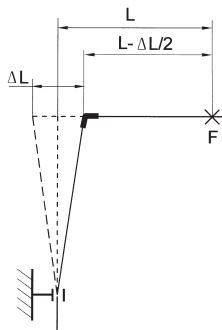


Fig. 2



Compensated installation:
 When working temperature is notably higher than the installation temperature we can compensate the expansions when assembling.

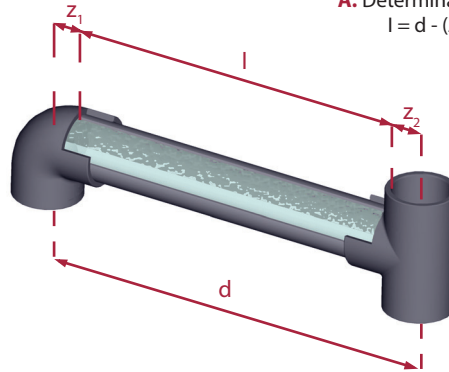
Instalación compensada:
 Cuando la temperatura de trabajo es notablemente superior a la de instalación, las dilataciones pueden compensarse en el montaje.



**SOLVENT INSTRUCTIONS
(PVC-U / PVC-C)**

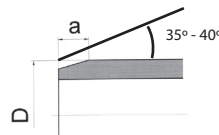
See standard ENV 1452-6: Guidance for installation.

A. Pipe measure calculation:
 $l = d - (Z_1 + Z_2)$



B. Cut the pipe: always use the proper tools to cut the pipe. Make sure the cut is square.

C. Chamfer.



D. Clean pipe and fittings with cleaner. Use a dry clean paper or cloth. The surface should have a matt finish. Do not touch the clean surface.

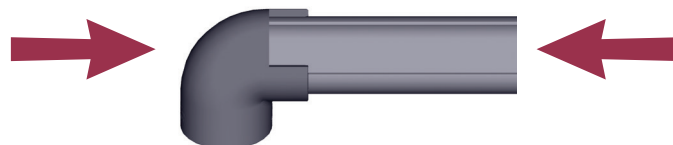
E. Check adhesive: adhesive must run well after shaking. Keep both cleaner and adhesive in a cool dry place (5° - 35°C). Expiration date for the adhesives is 24 months. PVC-C glue must be different than PVC-U glue (both included in this catalogue). Expiration date for the adhesives is 24 months.



PVC-U

F. Use a suitable brush and apply the adhesive from the tube, and the accessory, in a thin film, working in the direction of the axis, from the interior outwards. Carry out the operation quickly; for DN ≥ 100 two people are necessary.

G. Join fitting and pipe: Before 1 minute once the adhesive has been applied insert the fitting without turning. Hold them for a moment. Eliminate any excess adhesive.


**INSTRUCCIONES DE
ENCOLADO (PVC-U / PVC-C)**

Ver norma ENV 1452-6: Prácticas recomendadas para la instalación.

A. Determinar la longitud del tubo:
 $l = d - (Z_1 + Z_2)$

B. Cortar el tubo: asegurar un corte perpendicular al eje del tubo, utilizando las herramientas adecuadas.

C. Hacer chaflán.

D	16	20 - 50	63 - 225	250 - 315
a	1 - 2	2 - 4	4 - 6	5 - 7

D. Limpiar tubo y accesorio con disolvente limpiador. Utilizar papel absorbente o paño limpio. La superficie debe quedar mate. No tocar la superficie limpia.

E. Comprobar la cola: después de agitar debe fluir fácilmente. Conservar limpiador y cola en lugar seco y fresco (5° - 35°C). La fecha de caducidad de los adhesivos es de 24 meses. La cola para PVC-C debe ser distinta que la usada para PVC-U (en este catálogo se incluyen ambas). La fecha de caducidad de los adhesivos es de 24 meses.



PVC-C

F. Usar un pincel adecuado y aplicar la cola en el tubo y accesorio en una capa delgada y en dirección axial de dentro hacia afuera. Realizar la operación rápidamente, para DN ≥ 100 son necesarias 2 personas.

G. Unir accesorio y tubo: Antes de 1 minuto desde la aplicación del adhesivo introducir a tope sin giro alguno. Mantener unos instantes. Eliminar cola sobrante.

H. Let the joint dry without moving it during 5 minutes for $D \leq 63$ and 30 minutes for larger diameters.

H. Dejar secar la unión sin moverla durante 5 min para $D \leq 63$ y 30 min para diámetros superiores.



I. Drying time: it depends on the ambient temperature and the tolerance between the accessories. The adhesives dry slowly at low temperatures, and quickly at high temperatures. It is not recommendable to glue at a temperature below 5°C . It is not recommendable to apply a pressure greater than 1.5 bar before 24 hours have passed.

I. Periodo de secado: depende de la temperatura ambiente y tolerancia entre accesorios. Los encolados curan lentamente a bajas temperaturas y rápidamente a altas temperaturas. No es recomendable encolar a una temperatura inferior a 5°C . Se recomienda no aplicar presión superior a 1,5 bar antes de 24 horas.

J. In temperatures lower than 5°C , first is needed to eliminate the condensation or freeze, the solvent must be at ambiente temperature; the union must be at 25°C approximately during 30 minutes. In high temperature, the union must be protected for the sun light or from the heat source. For solvent instructions in temperature lower than 30°C or higher than 35°C , please ask quality department.

J. En temperaturas inferiores a 5°C , primero se debe eliminar la condensación o el hielo, el adhesivo debe estar a temperatura ambiental; y la unión debe permanecer a unos 25°C durante 30 minutos. En altas temperaturas, proteger de los rayos de sol o de la fuente de calor en lo posible. Para instrucciones de encolado inferiores a 30°C o superiores a 35°C , por favor consulte con el departamento de calidad.



FUSION WELDING ASSEMBLY

System for the plastic union fast, easy, clean and reliable; used for pipes, fittings and valves in PP-H or PVDF.

For an efficient system, it is important to keep in mind the following parameters:

- Welding temperature
- Pressure to apply
- Welding time
- Cooling time
- Correct alignment
- Environmental temperature and weather conditions

During the process it is needed to have a welding machine and the corresponding chart of pressures, times and temperatures.

A. Make bevel on the pipe.

B. Clean correctly the welding surfaces, the pipe and the other elements, as well as the welding machine

C. Mark the penetration deep in the pipe, following the instructions given by the manufacturer.

D. Introduce the pipe and the fitting or the valve at the same time in both sides of the welding machine.

Usually the pipe will act as a male and the fitting or the valve as a female, so they will be placed in the welding machine element appropriate to warm the side to weld (in or out).

The welding machine has to be at a temperature between 260°C and 270°C.

The fitting/valve will be introduced until the bottom, but the pipe will only be introduced until the mark.

E. After the welding time, take the 2 elements and assembly them, until the bottom and without any twist.

F. Visually check the concentration and align of the welding. Respect the cooling time before apply any kind of pressure.

UNIÓN POR TERMOFUSIÓN

Sistema de unión de plásticos rápido, fácil, limpio y fiable; utilizado para tuberías, accesorios y válvulas de PP-H o PVDF.

Para que el sistema sea eficaz, se deben tener siempre en cuenta los siguientes parámetros:

- Temperatura de fusión
- Presión aplicable
- Tiempo de fusión
- Tiempo de enfriamiento
- Alineación correcta
- Temperatura ambiente y condiciones climáticas

En el proceso es necesario disponer de una máquina de termofusión y de la tabla correspondiente de presiones, temperaturas y tiempos de fusión.

A. Chaflanar la tubería.

B. Limpiar correctamente las superficies a fusionar, tanto de la tubería y del elemento a acoplar, como de la máquina de soldadura.

C. Marcar la profundidad de penetración en la tubería, siguiendo las instrucciones de la tabla cedida por el fabricante.

D. Introducir la tubería y accesorio o válvula al mismo tiempo por ambos lados de la máquina de fusión.

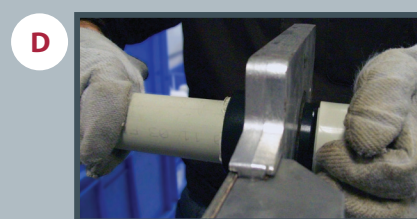
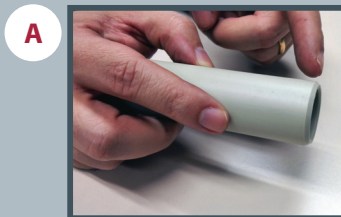
Generalmente la tubería actuará como macho y el accesorio o válvula actuará como hembra, por lo que se situarán en el elemento de la máquina para calentar el lado a soldar (interior o exterior).

La máquina de soldar debe estar a una temperatura entre 260°C y 270°C.

Mientras que el accesorio/válvula se introducirá hasta el máximo permitido, la tubería sólo se introducirá hasta la marca realizada anteriormente.

E. Pasado el tiempo de calentamiento, retirar las piezas y ensamblarlas entre sí, a tope y sin giro alguno.

F. Revisar visualmente la concentración y alineación de la soldadura. Respetar el tiempo de enfriamiento antes de aplicar ningún tipo de presión.



PE 100 ELECTROFUSION

Electrofusion is a simple and quick jointing technique for realising non-detachable welded joints. The assembly can be achieved using electrofusion couplers and electrofusion equipment.

Material

- The employed PE-material complies with the requirements of EN 12201 and EN 1555.
- PE 100 (MRS 10).
- Welding voltage lower than 40V.
- Fusion zone needs to be protected against inclement weather (rain, snow, intense UV radiation or wind).
- All fittings are provided with a welding control indicator.
- For detailed specifications on welding refer to instruction sheet DVS 2207 part 1.
- Electrofusion jointing should be carried out only by trained personnel.

ASSEMBLY

PROCESSING GUIDELINES

Preparation of welding

A. Perpendicularly cut off pipe by means of a proper cutting tool (plastic pipe cutters or saw).

B. Pipe surface in the welding zone needs to be tightened when treated and the pipe ends had to be beveled.

In order to obtain reliable welded joints it is of great importance to have clean surfaces.

Clean surfaces to be welded with alcohol using fluffless absorbent paper.

C. Machine the welding zone surface by means of a peeling tool, scraper or proper tool.

D. The faces to be welded have to be treated immediately before starting the welding process. Pipes or fittings to be welded have to be secured with clamps or holding device against moving or twisting.

Maximum permitted pipe ovalness is 1,5% of pipe outside diameter.

E. Tighten with the clamping device and slide the socket into the pipe. Never touch the inside or the outside surfaces of the cleaned socket and scrapped pipe ends.

Welding

The union surfaces (pipe outer surface and inner surface of the socket) are warmed up to welding temperature and welded by means of resistance wires which are located within the electrofusion socket.

F. Both plug-type socket connections should be connected with the welding cable. Position welding cable so as to prevent its weight from twisting the welding socket.

G. The welding parameters are fed in automatically by means of a reading pencil or bar code reader of the welding machine. It is also possible to introduce the welding data manually (amount of volts and welding time in the bar code).

The welding sequence or the control of the welding process is completely automatic. The necessary welding steps for the jointing are regulated with precision by the welding equipment.

The welding machine controls and stores all welding parameters which can be sent to a computer or can be printed.

This way welding parameters are kept for latter use in another welding process.

H. Once the welding process has been accomplished, visual weld control has to be performed by the welding indicator on the socket. In any case the weld indicator does not suppose a declaration about the quality of the welding.

ELECTROFUSIÓN PE100

La electrofusión es una técnica de unión simple y rápida para realizar uniones soldadas no desmontables. La instalación se consigue utilizando accesorios electrosoldables y equipos de soldadura.

Material

- El material PE utilizado cumple con los requisitos de la EN 12201 y EN 1555.
- PE 100 (MRS 10).
- Tensión de soldadura inferior a 40V nominales.
- La zona de soldadura debe protegerse contra posibles inclemencias meteorológicas (lluvia, nieve, radiación UV intensa o viento).
- Todos los accesorios se suministran con indicador visual de control de soldadura.
- Para especificaciones sobre la soldadura se aplica la normativa DVS 2207 parte 1.
- El proceso de soldadura debe ser llevado a cabo por un profesional.

MONTAJE

SECUENCIA DE TRABAJO

Preparación para la soldadura

A. Cortar el tubo perpendicularmente con una herramienta apropiada (tijera para plástico o sierra).

B. La superficie del tubo en la zona de soldadura se ha tratar de forma tensada y los extremos de los tubos exteriores se han de biselar.

Para obtener correctas uniones soldadas es de gran importancia disponer de superficies limpias.

Limpiar las superficies a tratar con alcohol. Utilizar para ello papel absorbente libre de pelusas.

C. Mecanizar la superficie de la zona de soldadura con una cuchilla o herramienta adecuada.

D. El tratamiento de las superficies de unión se ha de realizar inmediatamente antes de proceder con la soldadura. Los tubos o bien accesorios a soldar han de asegurarse mediante abrazaderas contra variación de la posición o torceduras.

La excentricidad del tubo no debe sobrepasar en la zona de soldadura el 1,5% del diámetro exterior.

E. Después de colocar la abrazadera, deslizar el manguito sobre el tubo. Extraer el manguito del embalaje inmediatamente antes de la fijación. No tocar las superficies exteriores ni interiores de los tubos limpios ni de los manguitos con los dedos.

Soldadura

Las superficies de unión (superficie exterior del tubo y lado interior del manguito) son calentadas a temperatura de soldadura y son soldadas mediante las resistencias situadas en el interior del manguito mediante el paso de corriente eléctrica.

F. Unir el cable de conexión del aparato de soldadura con la pieza a soldar. Los cables de soldadura se han de colocar sin que estén sometidos a esfuerzos de tracción.

G. Los datos necesarios para la soldadura son introducidos automáticamente mediante el lector de lápiz o código de barras del aparato de soldadura.

También es posible realizar la entrada manual de los datos de soldadura (cantidad de voltios y tiempo de soldadura en el código de barras).

La secuencia de soldadura o bien el control de la secuencia de soldadura se realiza de forma completamente automática. Los trabajos de soldadura necesarios para el acoplamiento son regulados con exactitud por el aparato de soldadura.

El aparato controla y memoriza todos los datos de soldadura que pueden enviarse al ordenador o a un dispositivo de salida de impresora.

De este modo queda garantizada la documentación para posteriores procesos de soldadura.

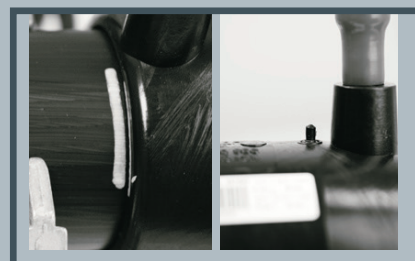
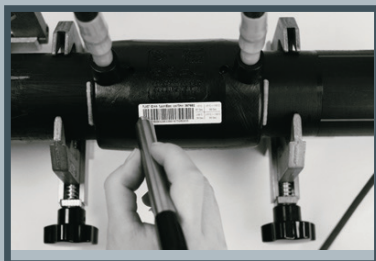
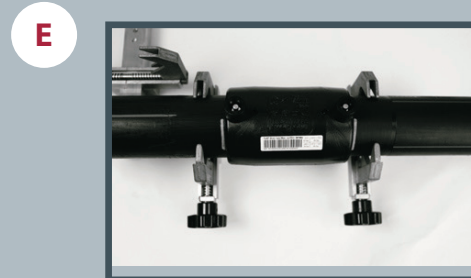
H. Una vez realizada la soldadura se deben verificar los indicadores para comprobar si se ha realizado el proceso. En cualquier caso el indicador de soldadura no supone una declaración acerca de la calidad de la soldadura.

Cooling time

Recommended cooling time must be observed.
Cooling times are indicated in the bar code.
Cooling time must not be shortened by means of fast temperature reduction (water, cold air, etc.).
After expiration of the cooling time, the clamping device may be removed.

Tiempo de enfriamiento

Se ha de respetar necesariamente el tiempo de enfriamiento.
Los tiempos de enfriamiento van indicados en el código de barras.
El tiempo de enfriamiento no se debe acortar mediante descenso rápido de la temperatura (agua, aire frío, etc.).
Extraer la unión soldada de las abrazaderas tensoras una vez finalizado el tiempo de enfriamiento.



BUTT WELDING PE100 AND PP-H

Buttwelding is a jointing technique, for realising non-detachable welded joints.

Material

- The employed PE-material complies with the requirements of EN 12201 and EN 1555.
- PE 100.
- All fittings are provided with identification of size, material classification, SDR and manufacturing date.
- For detailed specifications on welding refer to instruction sheet DVS 2207 part 1.
- PE 100 fittings can be welded in the MFR-range (0,3 - 0,5) g/10 min., with all tubes in conformity with the standards EN 1555 and EN 12201.
- Welding jointing should be carried out only by trained personnel.

Geometric properties and nominal pressures

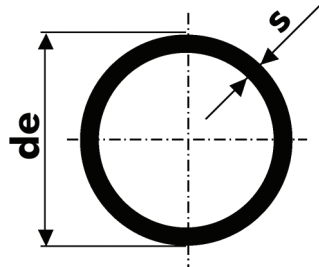
Outside diameter and wall thickness according to EN 1555 and EN 12201.

Outside diameter / wall thickness ratio SDR with nominal pressure PN:

PE 100 SDR 11 PN 16
PE 100 SDR 17 PN 10

Correlation between SDR and PN

Because of the different safety factors SF (1,6 and 1,25 depending on application) in the international standards, an unequivocal specification of the comparison wall thickness / outside diameter is of major importance. For this purpose SDR (Standard Dimension Ratio) is used.



SOLDADURA A TOPE PE100 y PP-H

La soldadura a tope es una técnica de unión para realizar uniones soldadas no desmontables.

Material

- El material PE utilizado cumple con los requisitos de la EN 12201 y EN 1555.
 - PE 100.
 - Todos los accesorios incorporan identificación de medidas, clasificación del material, SDR y fecha de fabricación.
 - Para especificaciones sobre la soldadura se aplica la normativa DVS 2207 parte 1.
 - Los accesorios de soldadura pueden ser soldados en el rango MFR (0,3 - 0,5) g/10 min. con todos los tubos conforme a los standards EN 1555 y EN 12201.
 - El proceso de soldadura debe ser llevado a cabo por un profesional.
- Propiedades geométricas y presiones nominales
Diámetro exterior y espesor de pared según EN 1555 y EN 12201.
Relación entre diámetro exterior / espesor de pared SDR con presión nominal PN:

PE 100 SDR 11 PN 16
PE 100 SDR 17 PN 10

Correlación entre SDR y PN

Debido a los diferentes factores de seguridad SF (1,6 y 1,25 en función de la aplicación) existentes a nivel internacional, es de vital importancia una especificación que relacione el grosor de pared con el diámetro exterior. Para este propósito se utiliza el SDR (Standard Dimension Ratio).

SDR = de / s

E.g.:

de = 110 mm

s = 10 mm

SDR = 110/10 = 11

SDR = de / s	SRD 11	SDR 17
	PN 16	PN 10

PROCESSING GUIDELINES

ASSEMBLY

The components to be jointed must have the same wall thickness in the fusion area.

Preparations before welding

1. Butt fusion jointing requires a special jointing machine in addition to the tools normally used for plastic piping unions (pipe cutters, saw with cutting guide). The fusion jointing equipment must meet the following minimum requirements:

The clamping device must hold the various parts securely without damaging the surfaces. It must be possible to hold all parts firmly in the alignment process.

Possible ovality can be compensated by centred clamping of the parts to be joined.

The welding machine must be solid enough to be able to absorb the pressures arising during fusion procedure without deforming the joint.

The heating surfaces must be flat and parallel. The temperature variation over the working area must not exceed 10°C. The machine should be installed and operated according to the manufacturer instructions.

The fusion procedure detailed below is based on the standard DVS 2207 part 1 Fusion jointing of thermoplastics.

General conditions

Protect the fusion area against adverse weather conditions such as rain, snow and wind, specially to avoid temperature variations in the parts to be joined.

It is important to check the temperature of the heating element before starting the fusion jointing. This is best carried out with the help of a thermometer with a sensor for measuring surface temperatures. To ensure it is being maintained at the correct level the fusion temperature should be checked from time to time during the jointing work. The temperature of the heating element is particularly sensitive to wind.

2. To obtain an optimal welding clean the heating element before each fusion joint. Clean both faces of the heating element with a dry lint-free clean paper.

3. All the components to be welded are planed with the planer provided. The alignment of the two parts should be checked at the same time: according to ISO 12176-1, the gap between the two parts must not exceed from 0,3 to 0,5 mm depending on the nominal diameter (0,3 for diameters up to 250 mm; 0,5 for diameters from 250 up to 400 mm).

A possible misalignment on the outside and according to ISO 12176-1 must not exceed 10% of the thickness of the wall.

The fusion surfaces should not be touched by hand under any circumstances. Otherwise they must be cleaned again.

Fusion jointing requires different pressures to be applied during equalisation and jointing on the one hand and during the warming up period on the other. Consult the table of parameters provided by the welding machine manufacturer.

On pre-heating process the areas are warmed up to the welding temperature.

SECUENCIA DE TRABAJO

MONTAJE

Los componentes a unir deben tener el mismo grosor de pared en sus áreas de fusión.

Requerimientos previos

1. Además de las herramientas tradicionales (tijeras cortatubos, ...), la soldadura a tope requiere de un equipo de soldadura especial que tiene que cumplir unas determinadas especificaciones:

Las mordazas de sujeción deben sujetar con seguridad el tubo sin dañar la superficie. Los componentes a soldar deben estar firmemente sujetos en el proceso de alineación.

Asegurar un correcto centrado permitirá reducir la posibilidad de ovalaciones.

El equipo de soldadura debe ser lo suficientemente sólido como para absorber la presión liberada durante la soldadura sin deformar la unión.

Las superficies de calentamiento deben ser planas y paralelas. La variación de temperatura en la zona de trabajo no debe exceder de los 10°C. El equipo debe ser instalado y operado de acuerdo con las instrucciones del fabricante.

El procedimiento de soldadura detallado a continuación está basadas en la norma DVS 2207 parte 1 Unión de termoplásticos por soldadura.

Condiciones generales

Proteger el área de soldadura contra las inclemencias meteorológicas, como la lluvia, la nieve o el viento, especialmente para evitar posibles variaciones de temperatura en los elementos a unir.

Es importante controlar la temperatura de la placa calentadora antes del proceso de soldadura. Esto debe hacerse con la ayuda de un termómetro con sensor capaz de tomar medidas de una superficie. Para asegurar que la temperatura se mantiene a un nivel correcto, debe ser comprobada con frecuencia durante la instalación. La temperatura es especialmente sensible al viento.

2. Para una soldadura óptima la placa calentadora debe limpiarse antes de cada soldadura. Para la limpieza, utilizar exclusivamente papel blanco o un paño que no deje pelusilla.

3. Los elementos a soldar deben refrentarse utilizando el correspondiente refrentador. El corte obtenido debe comprobarse: según ISO 12176-1, la planitud de las caras de los tubos tendrá una tolerancia máxima de 0,3 a 0,5 mm, según el diámetro nominal (0,3 para diámetros iguales o inferiores a 250 mm; 0,5 para diámetros entre 250 y 400 mm).

La tolerancia de alineación máxima admisible según ISO 12176-1 es del 10% del espesor de los tubos.

Las áreas a soldar no deben estar sucias ni haber sido tocadas con las manos. En tal caso deben tratarse de nuevo.

La soldadura a tope requiere de diferentes presiones a aplicar durante los procesos de refrentado y unión por una parte, y durante el período de precalentamiento. Consultar la tabla de parámetros suministrada por el fabricante del equipo de fusión.

A continuación se inicia la fase de precalentamiento hasta que los elementos a unir alcanzan la temperatura de fusión.

4. Once it has attained the fusion temperature, position the heating element in the fusion jointing machine. Press the parts to be jointed against the heating element with the force required for equalisation until the entire circumference of each of the jointing faces rests completely against it and a bead has formed.

5. Once the heating period has elapsed, remove the parts from the heating element which should then be removed without touching the jointing surfaces and push the parts together with the adequate pressure until the surfaces are in contact. This pressure must be maintained during the entire cooling period (check table of parameters of the machine manufacturer).

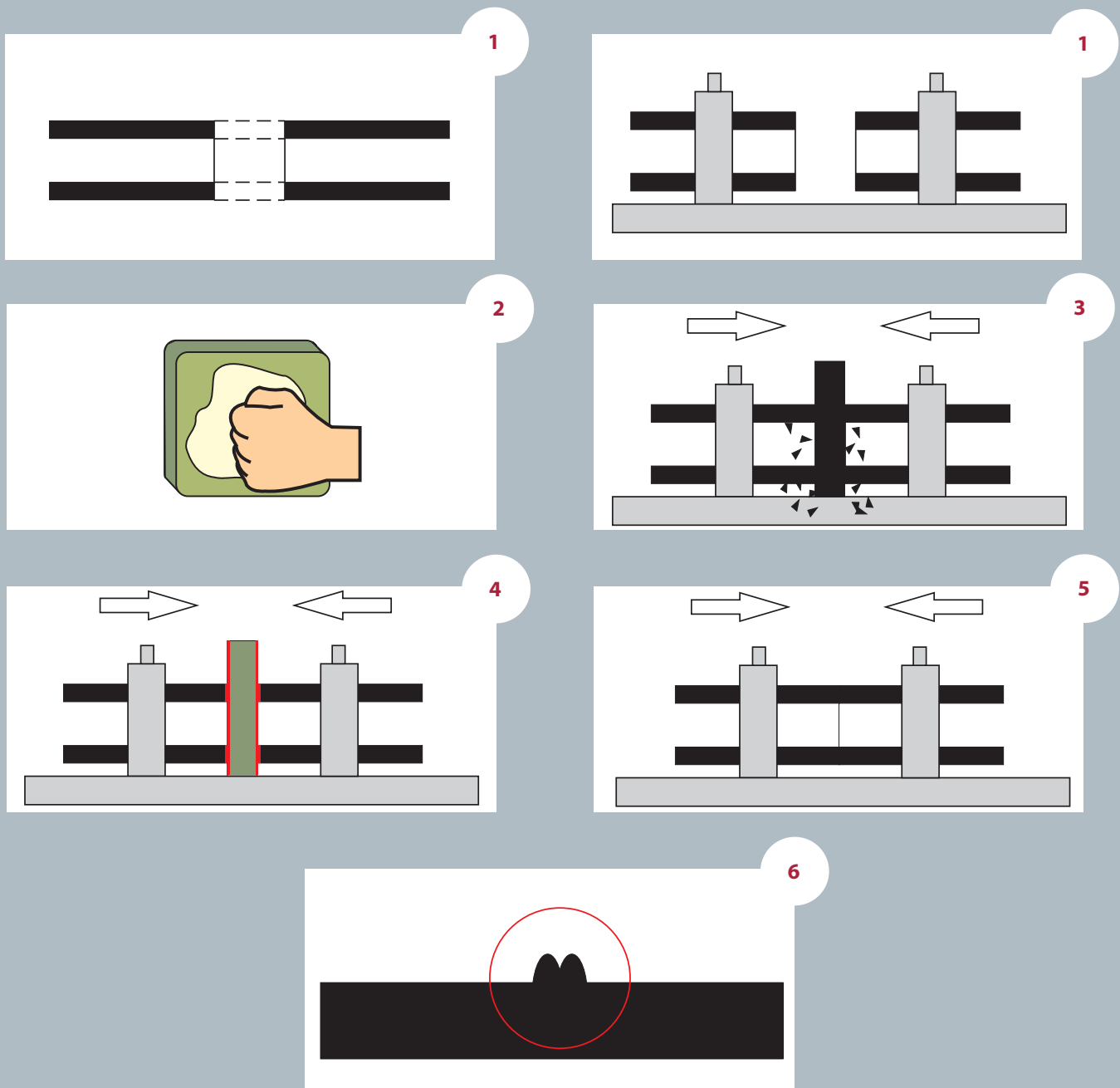
6. A double bead should form around the entire circumference of the pipe. In the diagram below should always be positive.

All fusion joints must be allowed to cool completely before pressure testing. As a rule wait 1 hour after the last joint has been completed.

4. Una vez se ha alcanzado la temperatura de fusión, se posicionan los elementos en el equipo de soldadura y se presionan con la fuerza adecuada contra la placa calentadora hasta que la circunferencia entra totalmente en contacto con la placa y se consigue la anchura de reborde óptima.

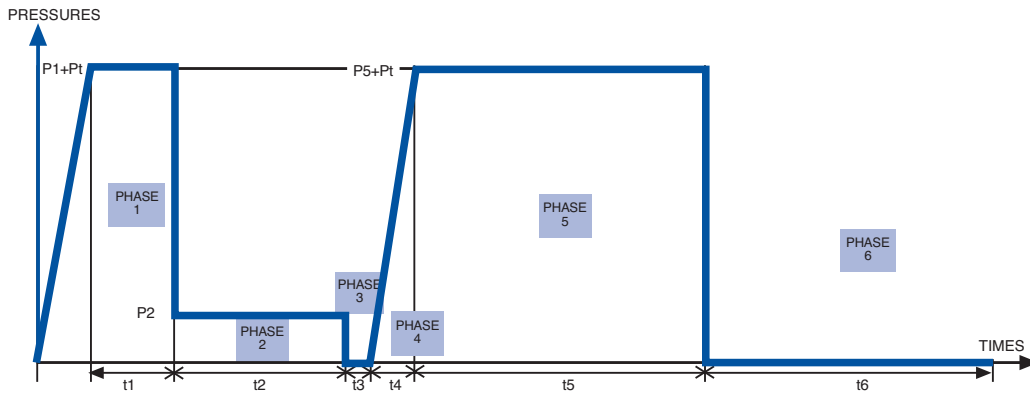
5. A continuación se retira la placa calentadora evitando tocar las superficies a unir y los elementos a soldar se unen con la presión adecuada hasta entrar totalmente en contacto. Esta presión debe mantenerse durante todo el periodo de enfriamiento (consultar tabla de parámetros del fabricante del equipo).

6. Después de la unión, se debe haber formado un doble reborde alrededor de toda la circunferencia. En el diagrama inferior, debe ser siempre superior a 0. Se debe permitir que todas las uniones soldadas se enfríen completamente antes de llevar a cabo cualquier test de presión en la instalación. Como norma se debe esperar como mínimo durante 1 hora desde la última soldadura.



Example diagramm with times and pressures for a welding

Tabla de ejemplo de tiempos y presiones de soldadura



- Phase 1: Matching and pre-heating
- Phase 2: Heating
- Phase 3: Removal of thermo element
- Phase 4: Reaching of welding pressure
- Phase 5: Welding
- Phase 6: Cooling

- Fase 1: Proximidad y precalentamiento
- Fase 2: Calentamiento
- Fase 3: Extracción del elemento de calor
- Fase 4: Llegar a la presión de soldadura
- Fase 5: Soldadura
- Fase 6: Refrigeración

UNION

Assembly instructions - Unions

When we have to assemble plastics, these unions are better than flanges, as they don't have any part in metal and the outer diameter is more reduced.

In the other hand, they are only available in small diameters (up to D110).

The union ends are made as a solvent socket or threaded ends, always according the standard regulations, but doing what is possible to adapt to other components (even different materials).

The Cepex unions have an o-ring incorporated to assure the water tightness between the 2 connectors of the union, so you never have to use PTFE tape between nut and socket (you only have to use PTFE tape in the threaded end connections).

The unions are not recommended when you expect the pipe to be submitted to bending strenght (it could cause misalignment).

It is no needed the use of any tool, it is possible to thread it by hands. Only in the big diameters (D75, D90, D110) you have to use a strap wrench.

Through this kind of unions, it is possible to mix different typer of plastics.

Assembly instructions - Valves

Loose the valve nuts or the 3 pieces union and separate them from the end connectors. Introduce the nuts into the pipes and then fix the union ends to the pipe side (with solvent socket, thread, socket fusion or butt welding, according the manual of each type of union). From this point it is possible to place the valve body between the union ends and to tighten the nuts on the valve by hand.

UNIONES 3 PIEZAS

Instrucciones de montaje - Enlaces

Cuando hay que unir plásticos, éstos son preferidos a las bridas, ya que no contienen ninguna parte de metal y el diámetro exterior es más reducido.

En contrapartida sólo están disponibles para diámetros pequeños (hasta D110).

Los manguitos de conexión están fabricados en terminaciones lisas de encolado o roscadas, siempre bajo normativas standards, haciendo posible la adaptación a otros componentes (incluso de materiales distintos).

Los enlaces 3 piezas Cepex incorporan junta para asegurar estanqueidad entre los dos manguitos de la unión, por lo que no debe usarse cinta de PTFE entre tuerca y manguito (usar cinta de PTFE solamente en las terminaciones de manguito roscadas).

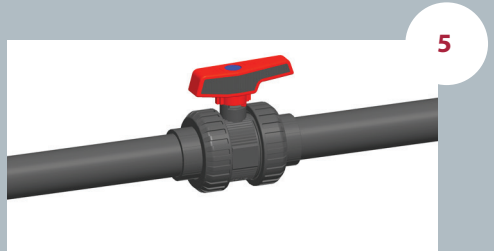
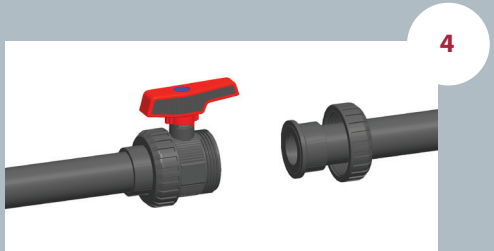
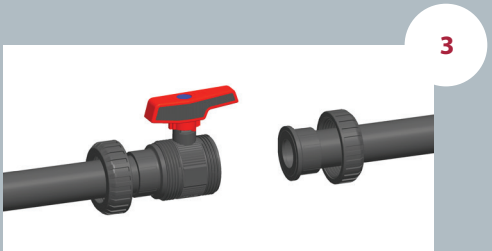
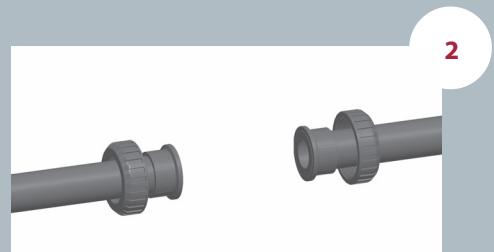
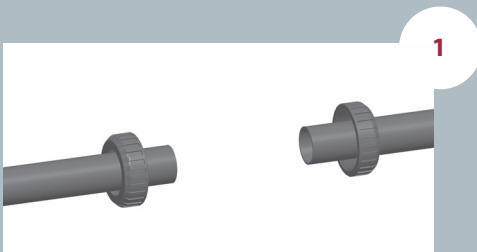
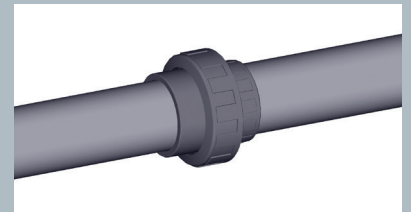
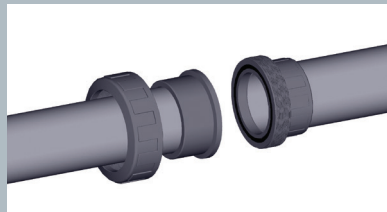
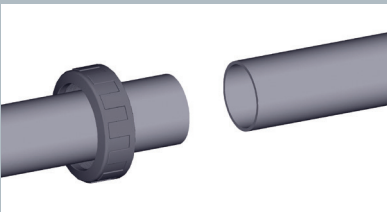
No son recomendables cuando el tubo tenga que estar sometido a fuerza de flexión (debido a posibles desalineaciones).

No es necesario el uso de ninguna herramienta, se rosca con las manos. Usar llave de cinta en diámetros grandes (D75, D90, D110).

Mediante estos enlaces, se pueden combinar diferentes tipos de plásticos.

Instrucciones de montaje - Válvulas

Aflove las tuercas de la válvula o accesorios 3 piezas y sepárelas de los manguitos. Introduzca las tuercas en los tubos y a continuación fije los manguitos en los extremos del tubo ya sea mediante unión por encoladura, rosca, termofusión o soldadura a tope (según el manual de cada tipo de unión). A continuación ya podrá colocarse la válvula entre los manguitos y apretar a mano las tuercas sobre el accesorio o la válvula.



FLANGES

The assembly between flanges allows us to make a mechanical union between 2 elements of the installation, with the possibility of mixing different types of plastic or even though plastic with metals.

By this way, both elements will keep mechanically connected and the screw strength will be the assurance of the union.

Assembly instructions

The union between flanges will always need flange adaptors, which will be the union elements.

It must be a flange in both sides of the union, that must have the same standard for the sizing and holes disposal.

By this way, the 2 flanges could be subjected using screws that will coincide in their holes.

It is very important to be always careful of the following parameters:

- Size and disposal of the flanges
- Screws tightening sequence
- Screw tightening torque
- It is always need a gasket between the flange adaptors

- A.** Introduce the flanges in every pipe.
- B.** Make the union between the flange adaptor and the pipe using the required technology.
- Be careful of the installation distance required depending on the element to install.
- In case of PE100, do the required bevel.
- C.** Place the element to install or the gasket between the flanges.
- D.** Introduce the screws with the washers in its holes.
- E.** Assembly the nuts and washers in the opposite side and tighten following the tightening sequence and torque specified below.
- F.** Tight the screws again in the opposite sense.

BRIDAS

El montaje entre bridas nos permite una unión mecánica entre dos elementos de la instalación, siendo posible combinar diferentes tipos de plástico o incluso de unir elementos de plástico con otros de metal.

Así, los dos elementos quedarán mecánicamente unidos y será la fuerza de los tornillos la que asegurará esta unión.

Instrucciones de montaje

La unión entre bridas requerirá siempre de unos manguitos de enlace, que serán los contactos entre los elementos a unir.

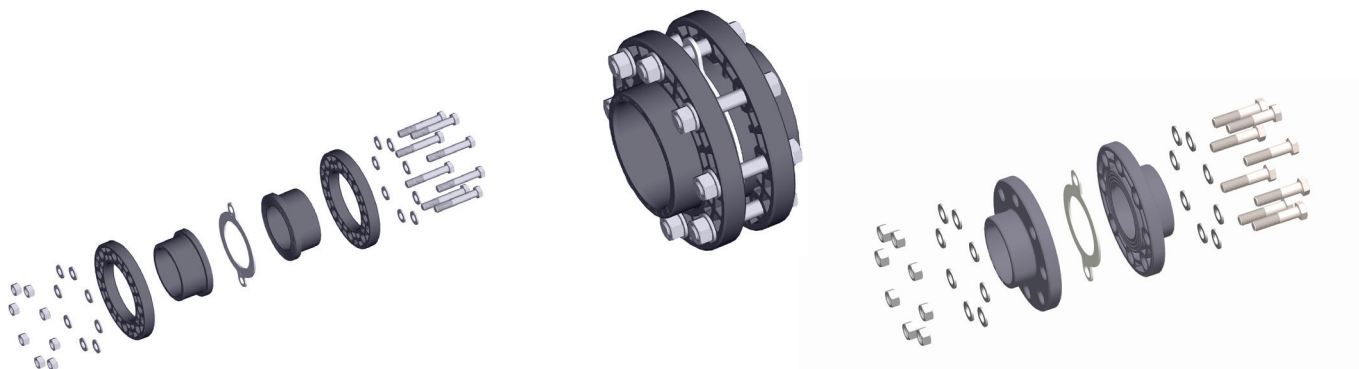
Deberá haber una brida en cada lado de la unión, que deberán tener el mismo estándar en cuanto a medidas y disposición de los agujeros.

De esta forma se podrán sujetar las dos bridas mediante tornillos que concidirán en sus agujeros.

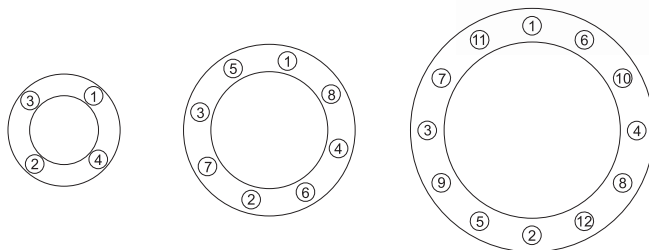
Es muy importante tener en cuenta siempre los siguientes parámetros:

- Medida y disposición de las bridas
- Orden de apriete de los tornillos
- Par de apriete de los tornillos
- Entre manguitos siempre deberá haber una junta.

- A.** Introducir las bridas en cada una de las tuberías.
- B.** Unir manguito y tubería según material y tecnología aplicable.
- Tener en cuenta la distancia de instalación adecuada según el elemento a instalar.
- En caso de PE100 realizar chaflán adecuado.
- C.** Situar el elemento a instalar o la junta entre las bridas.
- D.** Introducir los tornillos con arandelas en los alojamientos.
- E.** Montar arandelas y tuercas y apretar según el orden y par de apriete especificados.
- F.** Reapretar todos los tornillos en sentido contrario.



- Tightening sequence
- Orden de apriete



- Tightening maximum torque
- Máximo par de apriete

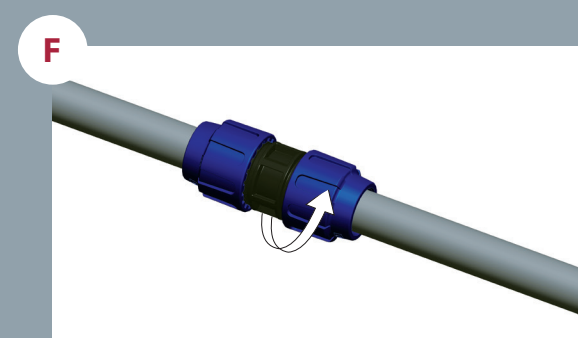
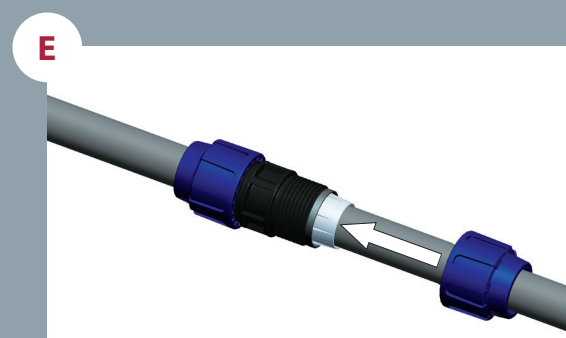
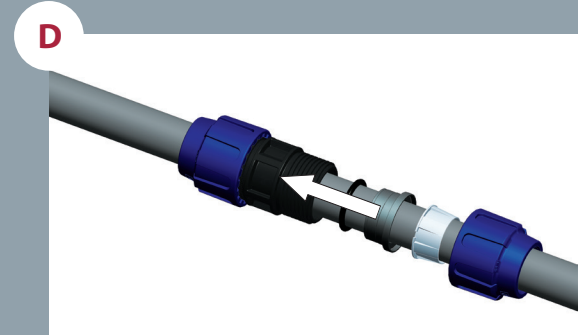
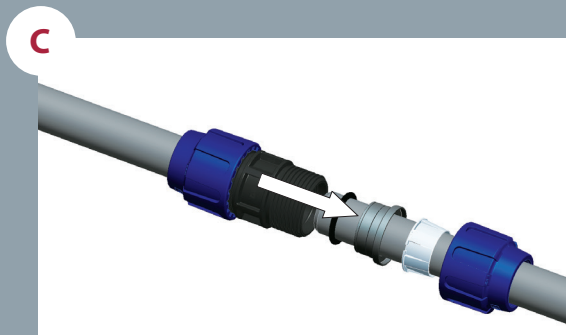
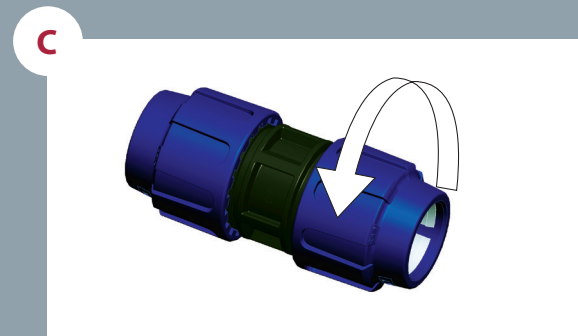
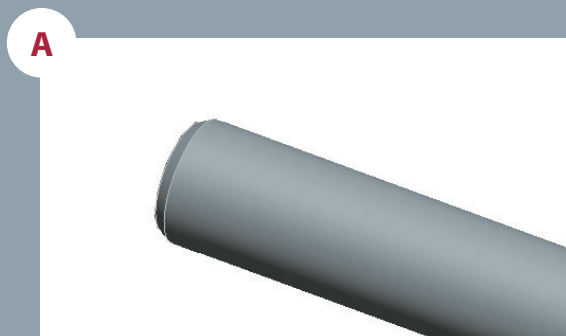
D	DN	inch	N-m	Kgf-cm	inch-lbf
63-75	65	2 1/2	25	255	221
90	80	3	25	255	221
110	100	4	30	306	265
125-140	125	5	35	257	310
160	150	6	40	408	354
200-225	200	8	50	510	442
250-280	250	10	80	816	708
315	300	12	80	816	708

COMPRESSION

- A.** Make bevel on the pipe with the beveling tool (code 05160). Clean the pipe to be sure there are no rests of material.
- B.** Mark the dimension of the pipe introduction depending on the size of each fittings.
- C.** Remove the nut. Control that the o-ring and the split ring are in the correct position, or slide all the components (nut, split ring, insert and o-ring) by the pipe.
- D.** Insert the side of the pipe into the fitting. Push the fitting until the pipe surpass the o-ring and get the fitting stop.
- E.** Place the o-ring, the insert and the split ring in its specific seat.
- F.** Thread the nut manually and use the appropriate key just after.

COMPRESIÓN

- A.** Chaflane el tubo con la llave de achaflanar (codigo 05160). Limpiar la tubería asegurándose que no queden restos de material.
- B.** Marcar la dimensión de inserción de la tubería dependiendo de la medida de cada accesorio.
- C.** Retirar la tuerca. Controlar que la junta y el cono de fijación están en la posición adecuada, o en su defecto deslizar todos los componentes (tuerca, cono de fijación, casquillo de prensa y junta tórica) por el tubo.
- D.** Insertar el extremo del tubo en el accesorio. Empujar el accesorio hasta que el tubo sobrepase la junta y llegue al tope.
- E.** Colocar la junta tórica, el casquillo de prensa y el cono de fijación en su asiento específico.
- F.** Roscar manualmente la tuerca y posteriormente apretar con la llave adecuada.



CEPEX QUALITY POLICIES

POLÍTICA DE CALIDAD CEPEX

CEPEX, S.A.U. is committed to develop its activity with the social, economical and environmental responsibility, applying a policy according to the FLUIDRA Corporate Social Responsibility.

Our main purpose is to offer to the fluid handling market products for the INDUSTRY, SWIMMING POOL, IRRIGATION, GARDENING and BUILGING which are according to the legal regulations and satisfy the needs of our customers, so they can be recognised as a reference in the sector.

To do this, the manager is committed to accomplish the Quality Policies based in:

A market-orientated quality.

Adjusted to our customers' needs, the latest technologies, and legal considerations.

An efficient quality

Based on a quality system aimed at maximizing efficiency and continuous improving.

A quality oriented to errors prevention.

Including and giving responsibilities to our collaborators in quality questions.

The manager is committed to promote the quality management as a working process in all the levels, informing, motivating and reaching out all the staff as a basis.

The manager will do permanently, the evaluation of the application and efficiency of these policies, applying when it will be necessary, the evolution and continuous improvement of our Quality Management System.

The Quality Manager is responsible for verifying compliance with the Quality Management System described in the Manual, recommend solutions and verify the implementation of the same when deviations occur in the quality system established herein.

Thus it has the authority and freedom necessary delegated by the Director of CEPEX, S.A.U, who has the last responsibility in the implementation and enforcement as described in the Quality Manual.

CEPEX, S.A.U. se compromete a desarrollar su actividad dentro de la responsabilidad social, económica y medioambiental, aplicando una política contextualizada dentro de la Responsabilidad Social Corporativa de FLUIDRA.

Nuestro propósito es ofrecer al mercado de conducción de fluidos productos para la INDUSTRIA, PISCINA, RIEGO, JARDÍN y CONSTRUCCIÓN que cumplan con los requisitos legales y reglamentarios y satisfagan las necesidades de nuestros clientes y usuarios, de modo que sean reconocidos como referente en el sector.

Para ello, la dirección se compromete a cumplir la Política de Calidad aquí descrita basándose en:

Una Calidad orientada al mercado.

Realizando productos que se ajusten a las necesidades de nuestros clientes y a las disposiciones legales y reglamentarias.

Una Calidad competitiva.

Estableciendo un sistema de calidad basado en los principios de la rentabilidad y de mejora continua.

Una Calidad orientada hacia la prevención de defectos.

Por la toma de conciencia y responsabilidad de nuestros colaboradores en materia de calidad.

La Dirección se compromete a promover en todo momento la gestión de la calidad como una tarea participativa a todos los niveles, informando, motivando y haciendo partícipe a todo el personal como base primordial.

La Dirección realizará de forma permanente, la evaluación de la aplicación y eficacia de estas disposiciones, garantizando cuando sea necesario, la evolución y mejora continua de nuestro Sistema de Gestión de la Calidad.

El Jefe de Calidad es responsable de verificar el cumplimiento del Sistema de Gestión de la Calidad descrito en el Manual, recomendar soluciones y, comprobar la puesta en práctica de las mismas cuando se produzcan desviaciones en el sistema de calidad aquí establecido.

Para ello posee la autoridad y libertad necesarias delegadas por la Dirección de CEPEX, S.A.U, quien se hace responsable última de la aplicación y cumplimiento de lo descrito en el Manual de Calidad.

CEPEX QUALITY TESTS

TESTS DE CALIDAD CEPEX

RAW MATERIAL PVC-U AND PVC-C

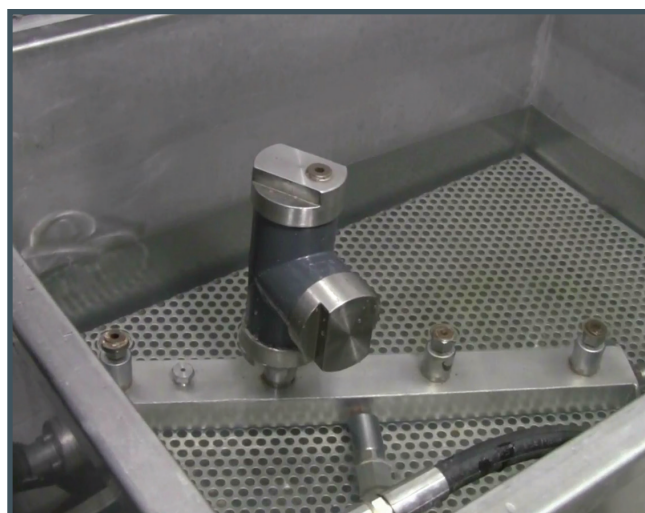
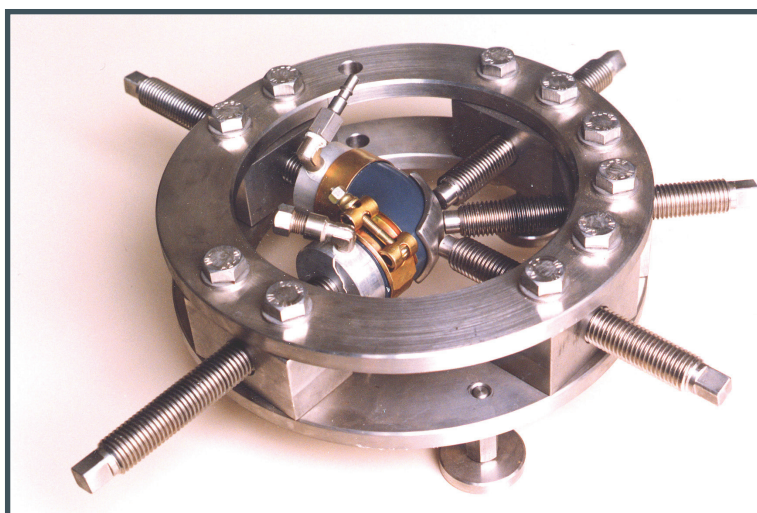
MATERIA PRIMA PVC-U Y PVC-C

TEST	FREQUENCY	REGULATION
Density test	Every material batch	EN 1452-3
Vicat softening temperature	Every material batch	EN 1452-3
Opacity	Once per year	EN 1452-3
VCM content	Once per year	EN 1452-3

PRESSURE FITTINGS PVC-U AND PVC-C

ACCESORIOS PRESIÓN PVC-U Y PVC-C

TEST	FREQUENCY	REGULATION
Dimensional control	Every 4 hours	EN 1452-3
Hydrostatic pressure test	Every batch	EN 1452-3
Heat test	Every 8 hours	EN 1452-3
Long term hydrostatic pressure test	Once per year	EN 1452-3
Long term hydrostatic pressure test (solvent cemented fittings)	Once per year	EN 1452-3



CEPEX QUALITY TESTS
TESTS DE CALIDAD CEPEX

VALVES
VÁLVULAS

TEST	FREQUENCY	REGULATION
Dimensional control	Every 4 hours	ISO 15493
Shell test	Every production	ISO 1167
Heat test	Every 8 hours	ISO 580
Vicat	Every material batch	ISO 2507
Density	Every material batch	ISO 1183

VALVES
VÁLVULAS

TEST	FREQUENCY	REGULATION
Seat test - open/closed with air	100% of production	ISO 16135:2006 Ball valves
Seat test - closed with air	Statistical sampling	
Packing test - opened with air	Statistical sampling	
Shell test - open with water	Statistical sampling	ISO 16136:2006 Butterfly valves
Long term hydrostatic pressure test - opened with water	Design homologation	
Durability - open/close with water	Design homologation	



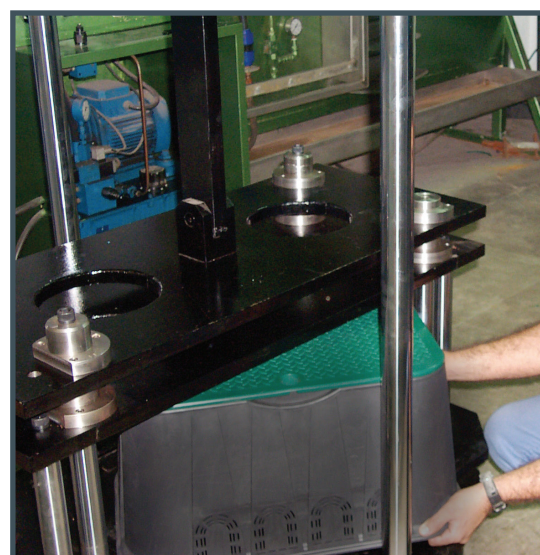
CEPEX QUALITY TESTS TESTS DE CALIDAD CEPEX

COMPRESSION FITTINGS PP ACCESORIOS COMPRESIÓN PP

TEST	FREQUENCY	REGULATION
Appearance & colour	Every batch	
Dimensional control	Every batch	ISO 4427 / ISO 11922 / ISO 12201
Hydrostatic strenght - Body	Every batch	ISO 1167
Tightness of joint with internal pressure	Every batch	EN 715 (ISO 1167)
Nut stress test	Every batch	
Long therm pressure test	Every batch	EN 715 (ISO 1167)
Tightness of joints - Internal pressure (bending)	Every batch	EN 713 (ISO 3503)
Tightness of joints - External pressure (vacuum)	Every batch	EN 911
Pul out force	Every batch	EN 712 (ISO 3501)

VALVE BOXES ARQUETAS

TEST	FREQUENCY	REGULATION
Compression test (until break)	Every batch	UNE-EN 124



QUALITY CERTIFICATIONS CERTIFICADOS DE CALIDAD

COMPANY
EMPRESA



PVC-U FITTINGS
ACCESORIOS PVC-U



PVC-C FITTINGS
ACCESORIOS PVC-C



VALVES
VÁLVULAS



COMPRESSION FITTINGS
ACCESORIOS COMPRESIÓN



It is possible to download all the refreshed certificates in the website www.cepex.com

Puede descargar todos los certificados actualizados en la website www.cepex.com

CEPEX ENVIRONMENT POLICIES

POLÍTICA MEDIOAMBIENTAL CEPEX

Our activity has impact on the environment our processes cause impacts on the environment, either in the form of discharges, emissions, noise and waste or either as natural resources such as water and energy consumption.

The purpose of the Environmental Policy of CEPEX, S.A.U is the reduction the environmental impact of our activity, commitment to continuous improvement and pollution prevention so that we comply with the legislation and future environmental regulations and other requirements subscribed by CEPEX, S.A.U constituting the framework to establish annually set objectives and environmental goals by controlling its progress and execution through continuous improvement process.

By this document, Our Manager exposes to its employees, suppliers, customers and society in general, its commitment to the environment. CEPEX is committed to:

- Evaluate the environmental aspects derived from our current activities and new activities that are incorporated with the aim of prevent impacts or minimize its effect.
- Comply with environmental legislation existing applicable to us and future legislation municipal, regional and European level. It undertakes to the following-up and update.
- Reduce the environmental impacts of materials, processes and facilities.
- By the minimisation of waste, reduction of emissions and pollution prevention to technically and economically viable levels whenever possible.
- Promote at all times the environmental management as a participatory task active at all levels, reporting, providing the training proper, motivating and making participant to staff as the primary basis for improvement.

A policy aimed at diffusion, awareness and environmental responsibility.

Nuestra actividad tiene incidencia sobre el medio ambiente: nuestros procesos ocasionan impactos ambientales sobre el medio, ya sea en forma de vertidos, emisiones, ruidos y residuos o ya sea como consumo de recursos naturales como agua y energía.

El propósito de la Política Ambiental de CEPEX, S.A.U es la de reducir el impacto ambiental de nuestra actividad, compromiso de mejora continua y prevención de la contaminación de manera que se cumpla con la legislación y reglamentación ambiental aplicable y futura y con el resto de requisitos suscritos por CEPEX, S.A.U constituyendo el marco para establecer fijar anualmente objetivos y metas ambientales controlando su avance y ejecución mediante proceso de mejora continua.

CEPEX se compromete a:

- Evaluar los aspectos ambientales derivados de nuestras actividades actuales y de nuevas actividades que se incorporen con el objetivo de prevenir los impactos o minimizar su efecto.
- Cumplir con la legislación ambiental que nos sea aplicable tanto vigente como futura en el ámbito municipal, autonómico, estatal y europeo.
- Se compromete a realizar un seguimiento y actualización.
- Reducir los impactos ambientales derivados de las materias, procesos y instalaciones.
- Por la minimización de residuos, reducción de emisiones y prevención de la contaminación hasta niveles técnicamente y económicamente viables siempre que sea posible.
- Promover en todo momento la gestión ambiental como una tarea participativa activa a todos los niveles, informando, proporcionando la formación adecuada, motivando y haciendo participe a todo el personal como base primordial de su mejora.

Una política dirigida a la difusión, la sensibilización y la responsabilidad ambiental.

CHEMICAL RESISTANCE CHART

TABLA DE RESISTENCIAS QUÍMICAS

GENERAL INFORMATION

- The information provided in this section are general indications of the chemical resistance of the different materials not submitted to pressure.
- We take into account the different applications from the used materials as well as the usual conditions of work, particularly the temperatures and concentrations of the chemical fluid that is in contact with the material.
- In the case of mixing different chemical agents or to evaluate the behavior in the presence of internal or external mechanical efforts, it will be necessary to carry out additional tests.

CLASSIFICATION

- **Resistant:** within the acceptable limits of pressure and temperature the material is not affected or insignificantly affected.
- **Limited resistance:** the media can attack the material partially or cause swelling. The service life is reduced. It is advisable to reduce the conditions of pressure and temperature of work.
- **Not recommended:** the material is seriously damaged. It is not recommended the use.

INFORMACIÓN GENERAL

- Las informaciones proporcionadas en este apartado son indicaciones generales de la resistencia química de los diferentes materiales no sometidos a presión.
- Se tienen en cuenta las diferentes aplicaciones de los materiales usados así como las condiciones de trabajo usuales, en particular las temperaturas y concentraciones del fluido químico que está en contacto con el material.
- En el caso de mezclar diferentes productos químicos o para evaluar el comportamiento en presencia de esfuerzos mecánicos internos o externos, será necesario efectuar ensayos adicionales.

CLASIFICACIÓN

- **Resistente:** dentro de los límites aceptables de presión y temperatura el material queda inafectado o insignificamente afectado.
- **Resistencia Limitada:** El medio puede atacar parcialmente al material o causar hinchamiento. La vida de servicio queda reducida. Es aconsejable reducir las condiciones de presión y temperatura de trabajo.
- **No recomendado:** el material queda seriamente afectado. No debería usarse.

R	Resistant	Resistente
L	Limited resistance	Resistencia limitada
N	Not recommended	No satisfactoria

CONCENTRATION

- Dil. Sol.** Dilute aqueous solution at a concentration equal to or less than 10%.
- Sol.** Aqueous solution at a concentration higher than 10%, but no saturated.
- Sat. Sol.** Saturated aqueous solution, prepared at 20°C.
- Sol. trab.** Working solution of the concentration usually used in the industry concerned.
- Susp.** Solid suspension in a solution saturated at 20°C.
- Tg.** At least of technical quality.
- Tg-s.** Technical quality, solid.
- Tg-l.** Technical quality, liquid.
- Tg-g.** Technical quality, gas.

The concentrations, unless it is said the opposite, are expressed like percentage in mass to 20°C.

CONCENTRACIÓN

- Dil. Sol.** Solución acuosa diluida a una concentración igual o menor de 10%.
- Sol.** Solución acuosa de una concentración superior a 10%, pero no saturada.
- Sat. Sol.** Solución acuosa saturada, preparada a 20°C.
- Sol. trab.** Solución de trabajo de concentración habitual empleada en la industria.
- Susp.** Suspensión de sólidos en una solución saturada a 20°C.
- Tg.** Mínimo de calidad técnica.
- Tg-s.** Calidad técnica, sólido.
- Tg-l.** Calidad técnica, líquido.
- Tg-g.** Calidad técnica, gas.

Las concentraciones, excepto que se diga lo contrario, están expresadas como porcentaje en masa a 20°C.

COMPRESIBLE MEDIA

When we work with a low boiling point fluid, as are the case of liquefied gases or gases dissolved in liquids, it must be considered the vapor pressure of the media.

In addition, the gas loosening (due to changes in media) or the vaporization (caused by excess of pressure) have to be prevented by limiting the working temperature and the overpressures. It must be considered that in these cases that cause gas flights, we will be in dangerous conditions of work.

SOLVENT CEMENTED UNIONS WARNING

- PVC solvent cemented unions are generally as resistant as the PVC.

The following chemical agents are an exception (the union is classified as "condicionally resistant"):

Sulfuric acid (H_2SO_4) in concentrations higher than 70%.

Acid hydrochlorate (HCl) in concentrations higher than 25%.

Nitric acid (HNO_3) in concentrations higher than 20%.

Acid hydrofluoric (HF).

Cepex is offering an adhesive adapted for high chemical resistance, ask the adhesives section.

SOLVENT CEMENTED UNIONS WARNING

- All the Cepex valves homologations are checked with the use of liquid media.
- In case of no liquid fluid transport using the Cepex valves, the behaviour of these will be different of that one specified.
- The lubrication conditions of each material could provoke a variation of the torque and the sealing conditions.
- Ask to the Cepex technical department in case of doubt.

EXCLUSION OF RESPONSABILITY

The information in this section has been supplied by sources that, we think, are trustworthy. However, it is provided without no guarantee, express or implicit, of its exactitude.

The conditions or methods of manipulation, storage or use of the material are out of our control and/or knowledge. By this and other reasons, we did not assume responsibility and we resigned specifically to the obligations of damages caused or related to the information expressed here.

MEDIOS COMPRIMIBLES

Cuando nos encontramos con fluidos con un bajo punto de ebullición, como es el caso de los gases licuados o gases disueltos en líquidos, se tiene que tener en cuenta la presión de vapor del medio.

Además, el desprendimiento de gas (debido a cambios en el medio) o la vaporización (provocada por exceso de presión) se deben prevenir limitando la temperatura de trabajo y las sobrepresiones. Se debe tener muy en cuenta que en estos casos que provocan fugas de gases, estaremos en condiciones de trabajo peligrosas.

ADVERTENCIA EN UNIONES ENCOLADAS

- Las uniones encoladas con adhesivos de PVC son generalmente tan resistentes como el PVC.

Los siguientes productos químicos son una excepción (la unión queda clasificada como "condicionalmente resistente"):

Ácido sulfúrico (H_2SO_4) en concentraciones superiores al 70%.

Ácido clorhídrico (HCl) en concentraciones superiores al 25%.

Ácido nítrico (HNO_3) en concentraciones superiores al 20%.

Ácido fluorhídrico (HF).

Cepex dispone actualmente de un adhesivo adaptado para alta resistencia química, consultar sección de adhesivos.

ADVERTENCIA POR EL USO DE FLUIDOS NO LÍQUIDOS EN VÁLVULAS

- Todas las homologaciones de las válvulas Cepex están realizadas usando medios líquidos.
- En caso del transporte de fluidos no líquidos usando las válvulas Cepex, el comportamiento de las mismas será distinto del especificado.
- Las condiciones de lubricación de los componentes de las válvulas pueden hacer variar su par de la maniobra y las condiciones de estanqueidad.
- Consultar al departamento técnico de Cepex en caso de duda.

EXCLUSIÓN DE RESPONSABILIDAD

La información de este apartado la hemos obtenido de fuentes que, pensamos, son fiables. No obstante, la información se proporciona sin ninguna garantía, expresa o implícita, en lo que se refiere a su exactitud.

Las condiciones o métodos de manipulación, almacenaje o uso del material están fuera de nuestro control y/o conocimiento. Por este y otros motivos, no asumimos responsabilidad y renunciamos expresamente a las obligaciones de daños causados o relacionados con la información aquí expresada.

PRODUCTO	PRODUCT	PRODUIT	FORM.	CONC.	TEMP.	°C	°F	EVA	EPDM	FPM	NBR	HDPE	PP	PVC-U	PVC-C	ABS
Aceite de Ricino	Castor Oil	Huile de Ricin		100	20	68	N									N
Aceite de Alcanfor	Camphor Oil	Huile de Camphre		Tg-L	20	68		N	R	R	N	N	N	N	N	N
Aceite de Almendras	Oil of Almonds	Huile des Amandes		Tg-L	20	68										N
Aceite de Cacahuete	Peanut Oil	Huile d'Arachide		Sol. trab.	20	68		N	R	R	R			R	R	N
Aceite de Coco	Coconut Oil	Huile de Noix de Coco		Sol. trab.	20	68								R		N
Aceite de Hígado de Bacalao	Oil of Codfish Liver	Huile de Foie de Morues		Sol. trab.	50	122										N R
Aceite de La Palma	Palm Oil	Huile de Palme			20	68		N	R	R						N
					40	104			R	R						
					60	140			R	L						
Aceite de Linaza	Linseed Oil	Huile de Lin		Sol. trab.	20	68			R	R	R					N R
					60	140			R	R	R					
Aceite de Maíz	Corn Oil	Huile de Maïs		Sol. trab.	20	68			R	R	R					N R
					60	140			R	R	L					
Aceite de Menta	Mint Oil	Huile de Menthe		Sol. trab.	20	68								R		N
Aceite de Oliva	Olive Oil	Huile d'Olive		Sol. trab.	20	68		N	R	R				R	R	N R
					60	140			R				R	R		
					80	176			R							
Aceite de Parafina	Parafin Oil	Huile de Parafine		Tg-L	20	68		N	R	R			R	R		
					40	104			R	L						R
					60	140			R	L			L			
					80	176			L							
Aceite de Semillas de Algodón	Cottonseed Oil	Huile de Coton		Sol. trab.	20	68		N	R	R			R	R	N R	
					50	122		N					R	R	N R	
					60	140							R	R	N	
Aceite de Silicona	Silicone Oil	Huile de Silicone		Tg-L	20	68		R	R	R			R	R	R R	
					60	140			R	R	R		R			
					100	212							R			
Aceite de Soja	Soybean Oil	Huile de Soja		Sol. trab.	20	68							R	R	N	
					60	140							L			
Aceite de Trementina	Turpentine Oil	Huile de Térébenthine			20	68		N	R	L				R	N	
					60	140										
Aceites Lubricantes	Lubricating Oil	Huile de Graissage		Tg-L	20	68		N	R	R					R	
					40	104			R	R						
					60	140			R	L						
					80	176			L							
Aceites Minerales	Mineral Oil	Huiles Minérales		Sol. trab.	20	68	L	N	R	R	R			R	R	
					40	104	N		R	R	L	R				
					60	140			R	R	L	R				
					80	176			R	R						
Aceites y Grasas	Oil and Fats	Huile et Graisses		Tg-L	20	68		N	R	R			R	N		
					60	140			R	R	L	R				
Acetaldehído	Acetaldehyde	Acétaldéhyde	CH ₃ CHO	40	20	68	N	R	R	N	R			N	N	
					40	104		R	R							
					60	140		R	L		L					
					80	176		R	N							
Acetamida	Acetamide	Acétamide	CH ₃ CONH ₂	5	20	68									R	
					50	122										R
Acetato de Amilo	Amyl Acetate	Acétate d'Amyle	CH ₃ COOC ₅ H ₁₁	Tg-L	20	68	N	L	N	N	R	L	N	N	N	
					60	140						L		N	N	
Acetato de Amonio	Ammonium Acetate	Acetate d'Ammonium	NH ₄ (C ₂ H ₃ O ₂)	Sol. sat.	20	68		R	R	R			R	R		
					40	104		R	R	L		R	R			
					60	140		R	R			R	R			
					80	176		L						R		
Acetato de Butilo	Butyl Acetate	Acétate de Butyle	CH ₃ COOCH(CH ₃)C ₂ H ₅	Tg-L	20	68		R	L	N			L	N	N	
					40	104		N	N							
Acetato de Etilo	Ethyl Acetate	Acétate d'Éthyl	CH ₃ COOC ₂ H ₅	Tg-L	20	68	N	R	N	N	R	L	N	N	N	
					60	140						N	N	N	N	
Acetato de Metilo	Methyl Acetate	Acetate de Methyl	CH ₃ CO ₂ CH ₃	Tg-L	20	68				N	N		R	N	N	
					60	140								R	N	
Acetato de Niquel	Nickel Acetate	Acetate de Nickel	Ni(OOC ₂ H ₃) ₂ ·4H ₂ O	Sol. sat.	20	68									R	
					40	104										R
Acetato de Plata	Silver Acetate	Acetate d'Argent	Ag ₂ C ₂ H ₃ O ₂	Sol. sat.	20	68							R	R	R	R
					60	140							R	R	R	
Acetato de Plomo	Lead Acetate	Acétate de Plomb	Pb(C ₂ H ₃ O ₂) ₂ ·3H ₂ O	Sol. dil.	20	68							R	R	R	R
					50	122							R	R	R	
					60	140						R	R	R		
				Sol. sat.	93	200										R
					20	68	R	R	R	R	R	R	R	R	R	R
					50	122	R	R	R	R	R	R	R	R	R	
Acetato de Potasio	Potassium Acetate	Acétate de Potassium	CH ₃ COOK	Sol. sat.	60	140		R							R	
					93	200									R	
					20	68		R	N						R	
Acetato de Sodio	Sodium Acetate	Sodium Acetate	CH ₃ COONa	Sol. sat.	20	68		R	N	R	R			R	R	
					40	104		R				R			R	
					60	140		R				R			R	
					93	200						R			R	
Acetato de Vinilo	Vinyl Acetate	Acétate de Vynyle	CH ₂ COOCH=CH ₂	Tg-L	20	68		R	N	N			N	N		
Acetofenona	Acetophenone	Acétophénone	C ₆ H ₅ COCH ₃	Tg-S	20	68							R	N	N	
					60	140								L	N	
Acetona	Acetone	Acétone	CH ₃ COCH ₃	10%	20	68		R	L	N						
					40	104		R	L							
				60	140		R	N								
				Tg-L	20	68	N	R	N	N	L	R	N	N	N	
60	140		R				L	R	N							

PRODUCTO	PRODUCT	PRODUIT	FORM.	CONC.	TEMP.		EVA	EPDM	FPM	NBR	HDPE	PP	PVC-U	PVC-C	ABS				
					°C	°F													
Ácido Acético	Acetic Acid	Acide Acétique	CH ₃ COOH	Hasta 10	20	68		R	L	R	R	R	R	R	R	R			
					40	104		R	N	L						R	R		
					50	122		L									R	R	
					60	140								R	R	R	R	R	
					100	212								R					
				10 a 40	20	68								R	R	R	R	R	N
					50	122												R	N
					60	140										R	L	R	
					80	176										R	L	R	
					100	212									L				
				50	20	68					R	L	N	R	R	R	R	R	N
					60	140										R	L	R	
					80	176										R	L	R	
				60	20	68					R							R	N
					60	140											L		
80	176									R									
80	20	68								R					N				
	60	140											L						
	80	176								R									
95	20	68												L	N				
	40	104																	
	60	140																	
Ácido Acético Glacial	Acetic Acid Glacial	Acide Acétique Glacial	CH ₃ COOH	>96	20	68	R	L	N		R	R	N		N				
					50	122	R						L	N	N				
					60	140					L	L	N						
					100	212						N							
Ácido Acético Trifloruro	Trifluoro Acetic Acid	Trifluorure Acide Acétique	F ₃ C-COOH	Hasta 50	20	68		L	N	N									
Ácido Acrílico Metil Ester	Acrylic Acid Methyl Ester	Acide Acrylique Méthylester	CH ₂ =CHCOOCH ₃	Tg-L	20	68		L							N				
Ácido Adípico	Adipic Acid	Acide Adipique	COOH(CH ₂) ₄ COOH	Sol. sat. (1,4%)	20	68		R	R	R	R	R	R	R	R	R			
					60	140		R	R	R	R	R	R	L	R	R			
					80	176										R	R		
					93	200											L		
					100	212													
Ácido Antraquinona Sulfónico	Anthraquinone Sulfonic Acid	Acide Antraquinone Sulfonique	C ₁₄ H ₇ O ₇ ·SO ₃ ·3H ₂ O	Susp.	60	140								R					
Ácido Arsénico	Arsenic Acid	Acide Arsénique	H ₃ AsO ₄ ·½H ₂ O	Sol. sat.	20	68	R				R	R	R						
					50	122	R					R							
					60	140							R		L				
					80	176					R	R	L						
					100	212							R						
Ácido Benzenosulfónico	Benzenesulfonic Acid	Acide Benzenesulfonique	C ₆ H ₅ SO ₃ H	Tg-L	20	68				R									
					40	104				R									
					60	140													
Ácido Benzoico	Benzoic Acid	Acide Benzoïque	C ₆ H ₅ COOH	Sol. sat.	20	68	L	R	R	N	R	R	L	R	R				
					40	104	L	R	R	R	R	R	N	R					
					60	140			R	R	R	R	N						
					80	176			L										
Ácido Bórico	Boric Acid	Acide Borique	H ₃ BO ₃	Sol. dil.	20	68		R	R	R	R	R	R	R	R				
					40	104		R	R	R	R			R	R				
					50	122		R	R	R	R				R	R			
					60	140		R	R	R	R			L					
					80	176		R	R	R	R								
				Sol. sat.	20	68	R				R	R		R	R	R	R		
					50	122	R									R	R		
					60	140						R				R			
					93	200											R		
					100	212													
Ácido Bromhídrico	Hydrobromic Acid	Acide Bromhydrique	HBr	Hasta 20	20	68					R		R	R					
					40	104							R		R				
					60	140								R	L				
					80	176													
					100	212							N		N				
				50	20	68	N	R	R	L	R	R	R	R	R	R	R		
					40	104		R	R	N	R	L	L						
					60	140		L	R	R		L	L						
					80	176		N	L										
					100	212				N			N						
Tg-G	20	68								R		R							
	60	140								R									
	100	212																	
Ácido Bromico	Bromic Acid	Acide Bromique	HBrO ₃	10	20	68							R						
Ácido Butírico	Butyric Acid	Acide Butyrique	CH ₃ CH ₂ CH ₂ COOH	20	80	176								R					
					20	68								R	L	N			
					60	140									N	N	N		
					Tg-L	20	68		L	L	N	R		N	N	N			
					60	140						L							
Ácido Carbonico	Carbonic Acid	Acide Carbonique	H ₂ CO ₃	10	20	68					R		R						
					60	140					R		R						
					Tg-L	20	68		R	R	L				R				
					40	104		L	L	N					R				
					93	200									R				
Ácido Cítrico	Citric Acid	Acide Citrique	C ₆ H ₈ O ₇	Sol. sat.	20	68	R	R	R	R	R	R	R	R	R				
					40	104	R	R	R	R	R	R	R	R	R				
					60	140	R	R	L	R	R	R	R	R					
					93	200								R	R				
					100	212									R				
Ácido Clorhídrico*	Hydrochloric Acid*	Acide Chlorhydrique*	HCl	10	20	68	R	R	L	R	R	R	R	R	R				
					40	104	R	R	R	R	R	R	R	R	R				
					60	140		R	R	R	R	R	R						
					80	176		R						R	R				
					100	212		R						R	N				
				20	20	68	R	R	R	R	R	R	R	R	R	R			
					50	122	R	R	R	R	R	R	R	R	R				
					60	140		R	R	R	R	R	L	R					
					80	176		R						R	R				
					100	212		R						R	N				
				30	20	68	R	R	N	R	R	R	R	R	R				
					40	104	R	R	R					R	R				
					60	140	L	R	R	R	L	R	R						
					80	176		R						L	R				
					100	212		R							R				
36 (Conc.)	20	68	L	R	N	R	R	R	R	R	L								
	40	104	L	L	R	R	R	R	R	R	N								
	60	140	N	R	R					R	R								
	80	176		R						R									
Ácido Clorhídrico, Gas Húmedo	Hydrochloric Acid, Gas Wet	Acide Chlorhydrique	HCl	Tg-G	20	68	R	R	L	R	R	R		N					
					50	122	R	R	N	R	R		N						
					60	140	R	R		R									
Ácido Clorhídrico, Gas Seco	Hydrochloric Acid, Gas Dry	Acide Chlorhydrique	HCl	Tg-G	20	68	R	R	L	R	R		N						
					50	122	R	R	N	R			N						
					60	140	R	R		R									
Ácido Clorico	Chloric Acid	Acide Chlorique	HClO ₃	10	20	68	R	N	N	R	N	R							
					60	140	R												
					20	68	R	N	N	L	N								
					40	104	R												

PRODUCTO	PRODUCT	PRODUIT	FORM.	CONC.	TEMP.		EVA	EPDM	FPM	NBR	HDPE	PP	PVC-U	PVC-C	ABS			
					°C	°F												
Ácido Cloroacético	Chloroacetic Acid	Acide Chloroacétique	CH ₂ ClCOOH	Sol. sat.	20	68						R	R	R	R			
					60	140						R		L	R	R		
					80	176											L	
					100	212											L	
					50	122	L	N	N							R		
Ácido Clorosulfónico	Chlorosulfonic Acid	Acide Chlorosulfonique	ClSO ₂ OH	Tg-S	20	68		N	N	N	N	N	N	L	N	N		
					60	140												
					80	176												
					100	212												
					50%	122	R	R		L						R		
Ácido Cresílico	Cresylic Acid	Acide Crétylique	C ₇ H ₈ O	Sol. sat.	20	68		R	R		L			R				
					60	140		R	R					R				
					80	176		R	R		L			N				
					100	212		R	R					N				
					50	122		R	N						R	R	N	
Ácido Crómico	Chromic Acid	Acide Cromique	H ₂ CrO ₄	Sol. sat.	20	68								R	R	L		
					60	140									R	N		
					80	176										R		
					100	212										R		
					50	122										R	N	
				40	20	68	N	L	R	N	R	R	R	R	R	R		
					60	140	N	L	R							R	N	
					80	176	N	L	R							R	N	
					100	212	N	L	R							R	N	
					50	122	N	L	R							R	N	
Ácido Dicloroacético	Dichloroacetic Acid	Acide Dichloroacetic	C ₂ H ₂ Cl ₂ O ₂	Tg-L	20	68		R	L	N								
					60	140		R	L	N								
					80	176		R	L	N								
					100	212		R	L	N								
					50	122		R	L	N								
Acido Dicloroacético Metil Ester	Dichloroacetic Acid Methyl Ester	Acide Dichloroacétique Ou Methyl	Cl ₂ CHCOOCH ₃	Tg-L	20	68		R	N	N					N			
					60	140		R	N	N								
					80	176		R	N	N								
					100	212		R	N	N								
					50	122		R	N	N								
Ácido Diglicólico	Diglycol Acid	Acide Diglycolique	O(CH ₂ COOH) ₂	Sol. dil.	20	68								R				
					60	140									R			
					80	176										L		
					100	212										L		
					30	86		R	L	R								
Ácido Dioctil Ester Ftálico	Phtalic Acid Dioctyl Ester	Acide Phtalique Dioctyl Ester	C ₂₄ H ₃₈ O ₄	Tg-L	20	68		R	N	N								
Acido Estearico	Stearic Acid	Acide Stéarique	C ₁₇ H ₃₃ COOH	Tg-L	20	68			R	R						R		
					60	140			R	R								
					80	176			R	R								
					100	212			R	R								
					50	122			R	R								
Ácido Fluobórico (Dec a 130°C)	Fluoroboric Acid	Acide Fluoborique	HBF ₄	Tg-S	20	68									R			
					60	140										R		
					80	176											R	
					100	212											R	
					30	86		R	L	R								
Ácido Fluorhídrico*	Hydrofluoric Acid*	Acide Fluorhydrique*	HF	Hasta 10	20	68						R	R	R	R	N		
					60	140							R		R			
					80	176												
					100	212												
					50	122												
				40	20	68	N	R	N			R	L					
					60	140	N	R	N									
					80	176	N	R	N									
					100	212	N	R	N									
					50	122	N	R	N									
Ácido Fluorhídrico, Gas	Hydrofluoric Acid, Gas	Acide Fluorhydrique, Gas	HF	Tg-G	20	68									R			
					60	140												
					80	176												
					100	212												
					50	122												
Ácido Fluosilícico	Fluorosilicic Acid	Acide Fluosilicique	H ₂ SiF ₆	Sol. sat.	20	68								R	R			
					60	140										R		
					80	176										R		
					100	212										R		
					25	77										R	R	
				32	20	68		R	L	L					R	R	R	
					60	140		R	L	L					R	R	R	
					80	176		R	L	L						R	R	
					100	212		R	L	L						R	R	
					50	122		R	L	L						R	R	
Ácido Fórmico	Formic Acid	Acide Formique	HCOOH	10	20	68						R	R	R	R			
					60	140							R	R	R	R		
					80	176										R	R	
					100	212									L	N		
					25	77		R								R		
				40	20	68								R	R	R	L	R
					60	140								R	R	R	L	R
					80	176										R		
					100	212										R		
					50	122									R	R	R	L
Ácido Fosfórico	Phosphoric Acid	Acide Phosphorique	H ₃ PO ₄	Hasta 30	20	68		R	R	L					R			
					60	140		R	R	L					R			
					80	176		R	R	L					R			
					100	212		R	R	L					R			
					25	77		R	R	L					R			
				Hasta 50	20	68		R	R	N	R	R	R	R	R	R	R	
					60	140		R	R	N	R	R	R	R	R	R	R	
					80	176		R	R	N	R	R	R	R	R	R	R	
					100	212		R	R	N	R	R	R	R	R	R	R	
					50	122		R	R	N	R	R	R	R	R	R	R	
hasta 85	20	68		R	R	N	R	R	R	R	R	R	R					
	60	140		R	R	N	R	R	R	R	R	R	R					
	80	176		R	R	N	R	R	R	R	R	R	R					
	100	212		R	R	N	R	R	R	R	R	R	R					
	50	122		R	R	N	R	R	R	R	R	R	R					
Ácido Ftálico	Phtalic Acid	Acide Phtalique	C ₆ H ₄ (COOH) ₂	Susp.	20	68		R	N	N				R	R			
					60	140		R	N	N					R	R		
					80	176		R	N	N						R	R	
					100	212		R	N	N						R	R	
					50	122		R	N	N						R	R	
Acido Gálico	Gallic Acid	Acide Galique	(HO) ₃ C ₆ H ₂ CO ₂ H	Sol. sat.	20	68	R											
					50	122	R											

PRODUCTO	PRODUCT	PRODUIT	FORM.	CONC.	TEMP.		EVA	EPDM	FPM	NBR	HDPE	PP	PVC-U	PVC-C	ABS				
					°C	°F													
Ácido Glicólico	Glycolic Acid	Acide Glycolique	OHCH ₂ COOH	Sol.	20	68													
					60	140							R						
				30	20	68	R									R	R		
					50	122	R												
Ácido Hipocloroso	Hypochlorous Acid	Acide Hypocloreux	HOCl	Sol. sat.	20	68										R			
					60	140											R		
				37	20	68						R	R						
					60	140													
Ácido Láctico	Lactic Acid	Acide Lactique	CH ₃ CHOHCOOH	10	20	68				R	N	R	R	R	R				
					40	104				L									
					60	140			L	L			R	R	L	R			
					80	176			N	L									
					93	200													R
					25	20	68								R	R	R	R	
				60	140									R	R	R	R		
				93	200													R	
				10 a 85	20	68	R							R	R	L	R		
					60	140	R							R	R	N	L		
					Tg-L	20	68							R	R	N			
				Ácido Maleico (Dec. a 160°C)	Maleic Acid	Acide Maléique	HOOCCH=CHCOOH	Sol. sat.	20	68	R			R	N	R	R	R	
50	122	R																	
50	60	140								R			R	R	L				
	80	176								N									
Ácido Málico (Subl.)	Malic Acid	Acide Malique	C ₄ H ₆ O ₅	Sol.	20	68						R	R	R	R				
					60	140							R	R	R	R			
				Sol. sat.	20	68								R	R	R			
Ácido Metilsulfónico (Dec.)	Acid Methylsulfonic	Acide Methylsulfonique	CH ₃ O ₃ S	Tg-L	20	68										R			
					80	176											R		
				85	20	68												R	
Ácido Monocloroacético	Monochloroacetic Acid	Acide Monochloroacetique	CH ₂ ClCOOH	> 85	20	68				L	N		R						
					60	140								R					
				20	68	R							R	R	R				
Ácido Nicotínico	Nicotinic Acid	Acide Nicotinique	C ₅ H ₄ NCOOH	Susp.	20	68	R						R	R	R				
					60	140	R								R	R			
				20	68				R	R	N	R	R	R	R	R			
Ácido Nítrico*	Nitric Acid*	Acide Nitrique*	HNO ₃	5	20	68				R	R	N	R	R	R	R			
					40	104				R	R						R	N	
					60	140			L	L			R						
					80	176				N									
				10	20	68								R	R	R	R	R	
					50	122									R	N		R	N
					60	140									R	N		R	
					80	176												R	
				20	20	68									R	R	R	R	L
					50	122												R	N
					60	140									R	N		R	
					80	158												L	
				25	20	68										R	R	R	N
					50	122												R	N
					60	140									R	N		R	
					50	122										R	N		R
				30	20	68	L									R	R	R	N
					50	122	L											R	N
					60	140	L									N		L	
					50	122	L											R	N
				35	20	68	L											R	N
					50	122	L											R	N
					60	140	L											R	N
					50	122	L											R	N
40	20	68	L	R	R	N							R	R	N				
	50	122	L	R	R									R	N				
	60	140	L	L										L					
	80	176			N														
Hasta 45	20	68	L											R	R	N			
	50	122	L											L	R	N			
	20	68		N	R	N	L	L	N	R	N			R	N				
	45	113			L									R	N				
50	60	140			N					N	N	N	L						
	20	68								N	N			R	N				
	40	104									N	N		R	N				
	60	140									N	N		L					
> 50	20	68												R	N				
	40	104												R	N				
	60	140												R	N				
	20	68												R	N				
Ácido Nítrico, Fumante	Nitric Acid, Fuming	Acide Nitrique	HNO ₃ -NO ₂		20	68								N	N				
Ácido Nitrilo-Triacético	Nitrilotriacetic Acid	Acide Nitriloacetique	N(CH ₂ -COOH) ₃		20	68	R												
Ácido Nítrico	Nitrous Acid	Acide Nitreux	HNO ₂		20	68	R	R											
Ácido Oleico	Oleic Acid	Acide Oléique	CH ₃ (CH ₂) ₇ CH(CH ₂) ₇ COOH	Tg-L	20	68	N	N	R	L	R	R	R	R	R				
					40	104				L	N								
					50	122			N								R	L	
					60	140					N			R	L	R			
					80	176												L	
					100	212												N	
Ácido Oxálico (Subl.)	Oxalic Acid	Acide Oxalique	HOOCOOH	Sol. dil.	20	68									R	R	R		
					60	140											L	R	
				Sol. sat.	20	68	R	R	R	L	R	R	R						
					40	104				R	N							R	
					50	122	R											R	
					60	140				L				R	L	R	R		
80	176				N								L						
100	212									N									
Ácido Palmítico	Palmitic Acid	Acide Palmitique	C ₁₅ H ₃₁ COOH		20	68	L	R	L										
Ácido Perclórico	Perchloric Acid	Acide Perchlorique	HClO ₄	10	20	68				R	R	N			R	R			
					40	104				L	R								
					60	140											L		
					80	176						L							
					20	68									R				
					70	20	68				N	R	N					L	
40	104						R												
60	140												N						
80	176							L											
Ácido Pírico	Picric Acid	Acide Picrique	C ₆ H ₂ (NO ₂) ₃ OH		20	68	L	R	R	L	R	R	R	N					
10	40	104	L	R	R	N							R	N					
	60	140			R	R													

PRODUCTO	PRODUCT	PRODUIT	FORM.	CONC.	TEMP.	EVA	EPDM	FPM	NBR	HDPE	PP	PVC-U	PVC-C	ABS						
						°C	°F													
Ácido Propiónico	Propionic Acid	Acide Propionique	CH ₃ CH ₂ COOH	<2	80	176									R					
					20	68		R	R	N	R					L	N			
					40	104		R	R									L		
					60	140			L			R						L		
					> 50	20	68								R			L	N	
					Tg-L	20	68		R	R	N	R							L	N
						40	104		L	R										
						60	140			R		L								
						80	176			L										
						20	68		R	R	R	R	R	R	R	R	R	R	R	R
Ácido Salicílico	Salicylic Acid	Acide Salicilique	C ₆ H ₄ (OH)(COOH)	Sol. sat.	40	104		R	R						R					
					60	140		R			R					R				
					20	68		R	R								R			
Ácido Silícico	Silicic Acid	Acide Silicique	SiO ₂ ·nH ₂ O	Susp.	40	104		R							R					
					50	122		R												
					20	68		R	R	R										
Acido Succínico	Succinic Acid	Acide Succinique	HOOC-CH ₂ -CH ₂ -COOH	Sol.	40	104		R	R	R										
					60	140		R	R	R										
					80	176			R											
					20	68		R	R	R										
Ácido Sulfúrico*	Sulfuric Acid*	Acide Sulfurique*	H ₂ SO ₄	Hasta 10	20	68					R	R	R	R	R					
					50	122										R	R			
					60	140						R	R	R	R					
					80	176											R			
					100	212								R				N		
					15	20	68							R	R	R	R	R	R	
						50	122												R	
						60	140						R		R	R				
						80	176												R	
					10 a 30	20	68							R	R	R	R	R	R	
						60	140							R	R	R	R			
						80	176												R	
					Hasta 40	20	68					R	L						R	
						40	104		R	R	N								R	
						60	140		R	R									R	
						80	176		L	L									R	
					10 a 50	20	68							R	R	R	R	R	R	
						60	140							R		R	R			
						80	176												R	
					50	20	68		R	R	N	R	R	R	R	R	R	R	R	
						40	104		R	R									L	
						60	140		L	R		R	L	R	R					
						80	176		N	L									R	
					50 a 75	20	68		N	N				R	R	R	R	R	R	
						60	140		N										L	
						80	176												R	
					Hasta 80	20	68		L	R	N								R	
						40	104		L	R									R	
						60	140		N	L									L	
						80	176				N								R	
					86	20	68		N	R	N								R	
						40	104			R									R	
						60	140												R	
						75	167												R	
					95	20	68										L	R	N	
						50	122												R	
						60	140										N	L		
					65	149													N	
						20	68		N	N	R	N			R	L	R	N		
						40	104				R								R	
96	50	122		N										R						
	60	140										L	N	R						
	65	149												N						
	20	68		N	L	N	R	L	N	R	N	R	N							
98	40	104							N	N	N	R								
	50	122												R						
	60	140												N						
	20	68							N	L	N			N						
Fumante	20	68								N	L	N		N						
	50	122												N						
	60	140								N	N	N								
Ácido Sulfúrico Fumante (Oleum)	Oleum	Oleum	H ₂ SO ₄	20	68		N	N	N	N	N	N	N	L						
Ácido Sulfuroso	Sulfurous Acid	Acide Sulfureaux	H ₂ SO ₃	Sol. sat.	20	68		R	R	N										
					40	104		N	R											
					60	140			L											
					80	176			N											
					20	68						R	R	R	R	R	R			
Hasta 30	50	122							R	R	R	R								
	60	140								R	R									
	20	68						R	R	R	R	R	R							
Ácido Tánico	Tannic Acid	Acide Tannique	C ₇₆ H ₅₂ O ₄₆	Sol.	50	122														
					60	140						R	R	R						
					20	68		R	R	R	R	R	R	R	R					
Ácido Tartárico	Tartaric Acid	Acide Tartaric	HOOC(CHOH) ₂ COOH	Sol.	40	104		R	R	R										
					50	122														
					60	140		R	R	L	R	R	R							
					20	68		R	R			R	R	R	R					
					50	122						R	R	R	R					
Ácido Tricloroacético	Trichloroacetic Acid	Acide Trichloroacetique	CCl ₃ COOH	Hasta 50	20	68		L	N	N				R						
					40	104									R					
					60	140								R						
					20	68		L	N	N										
Ácido Úrico (Dec. a >400°C)	Uric Acid	Acide Urique	C ₅ H ₃ N ₂ O ₃	Tg-L	20	68								R						
					50	122									R					
Ácidos Grasos > C ₆	Fatty Acids > C ₆	Acides Gras	R-COOH	20	68		R	R	L											
Acrilato de Etilo	Ethyl Acrylate	Acrylate d'Éthyl	CH ₂ =CHCOOC ₂ H ₅	Tg-L	20	68							N							
Acrylonitrilo	Acrylonitrile	Acrylonitrile	H ₂ C=CHCN	Tg-L	20	68		R	L	N				R						
					40	104		R	L											
					50	122														
					60	140		L	N											
Agua	Water	Eau	H ₂ O		20	68					R	R	R	R						
					50	122									R					
					60	140						R	R	R						
					80	176														
					93	200								R						
Agua de Bromo	Bromine Water	Eau de Brome		Sol. sat.	20	68		N	R	N										
					93	200								R						

PRODUCTO	PRODUCT	PRODUIT	FORM.	CONC.	TEMP.		EVA	EPDM	FPM	NBR	HDPE	PP	PVC-U	PVC-C	ABS				
					°C	°F													
Agua de Cloro	Chlorinated Water	Eau de Chlore		Sol. sat.	20	68		L	L	N	L	R	R	R	R				
					50	122										R	R		
					60	140							N	L			R		
					93	200											R		
Agua Regia	Aqua Regia	Aqua Regia	HCl/HNO ₃ =3/1		20	68		N	L	N	N	N	N	N	N	N			
					50	122										N			
					60	140											R		
					93	200											R		
Agua, de Mar	Water, Sea	Eau de Mer	H ₂ O		20	68					R	R	R	R	R				
					50	122									R				
					60	140									R	R	R		
					93	200											R		
					100	212											R		N
Agua, Destilada	Water, Distilled	Eau Distillée	H ₂ O		20	68			R	R	R	R	R	R	R				
					50	122		R	R	R					R				
					60	140		L	R	R	R	R	R	R	R				
					80	176		N	R	R	R	R	R	R	R				
					90	194			R	R		R					R		
100	212			R															
Agua, Dulce	Water, Candy	Eau, Sucrierie	H ₂ O		20	68					R	R	R	R	R				
					50	122										R			
					60	140									R	R	R		
					80	176											R		
					100	212										R			
Agua, Mineral	Mineral Water	Eau Minérale	H ₂ O	Sol. trab.	20	68			R	R	R	R	R	R	R				
					40	104			R	R									
					50	122											R	R	
					60	140		R	R	R	R	R	R	R	R				
					80	176		R	R	R							R		
100	212		R	R							R		L						
Agua, Potable	Water, Potable	Eau Potable	H ₂ O	Sol. trab.	20	68			R	R	R	R	R	R	R				
					40	104		R	R	R									
					50	122											R	R	
					60	140		L	R	R	R	R	R	R	R				
					80	176			R	L								R	
100	212			R						R									
Aire	Air	Air		Tg-G	20	68						R	R	R	R	R			
					50	122											R	R	
					60	140								R	R	R			
					100	212													
Alcohol Alílico	Allyl Alcohol	Alcool Allylique	CH ₂ =CHCH ₂ OH	Tg-L	20	68		L	L	R	R	R	L		N				
					40	104		L	N	R									
					60	140		L		R	R	N							
					80	176		N		R									
Alcohol Amílico	Amyl Alcohol	Alcool Amylique	C ₅ H ₁₁ OH	Tg-L	20	68		R	L	R	R	R	R	L	N				
					60	140		R		R	R	R	R	L					
					100	212								R					
Alcohol Bencílico	Benzyl Alcohol	Alcool Benzylique	C ₆ H ₅ CH ₂ OH	Tg-L	20	68		N	R	N	R			N	N				
					50	122					L			N	N				
					20	68		R	R	R									
					40	104		R	R	R									
					60	140		R	R	R									
Alcohol Furfurílico	Furfuryl Alcohol	Alcool Furfurylique	C ₅ H ₆ O ₂	Tg-L	20	68		L	N	R	R		N	N					
					60	140				L			N						
					20	68								R	L	L			
					50	122										R	N		
					60	140										R			
Alcohol Isobutilico	Isobutyl Alcohol	Alcool Isobutylique	(CH ₃) ₂ CHCH ₂ OH	Tg-L	20	68								R	L	L			
					50	122										R			
					60	140										R			
Alcohol Isopropílico	Isopropyl Alcohol	Alcool Isopropylique	(CH ₃) ₂ CHOH	Tg-L	20	68		R				R	R	R	R				
					60	140								R	R	R			
					100	212								R					
Alcohol Metílico	Methyl Alcohol	Méthylique Alcool	CH ₃ OH	< 10	20	68						R	R	R	N				
					50	122								L	R	R			
					60	140								L	R	R			
					80	176								L	R	R			
Alumbre de Cromo	Chrome Alum	Alun de Chrome	KCr(SO ₄) ₂	Sol.	20	68													
					50	122													
					60	140		R	L	R	R	L	N						
					80	176									R				
					100	212									L				
Amoníaco, Acuoso	Ammonia, Aqueous	Ammoniac	NH ₃	Sol. sat.	20	68					R	R	R	R	R				
					50	122									R	R			
					60	140									R	R			
Amoníaco, Gas Seco	Ammonia Gas	Ammoniac, Gaz	NH ₃	Tg-G	20	68		R	R	R	R	R	R	N	N				
					40	104			L										
					50	122										N	N		
					60	140						R		R	N				
Amoníaco, Líquido	Ammonia Liquid	Ammoniac, Liquide	NH ₃	Tg-G	20	68					R	R	L	N					
					60	140								R	N				
Anhidrido Acético	Acetic Anhydride	Anhydrique Acétique	(CH ₃ CO) ₂ O	Tg-L	20	68		L	N	N	R	R	N	N	N				
					60	140					L			N	N				
Anilina	Aniline	Aniline	C ₆ H ₅ NH ₂	Tg-L	20	68		L	N	L	N	R	R	N	N	N			
					50	122		N		L					N	N			
					60	140			L		L	R	N	N					
Antimoniato de Sodio	Sodium Antimoniate	Antimoniate de Sodium		Sol. sat.	20	68					R	R	R	R	R				
					50	122									R	R			
					60	140									R	R			
Arsenito de Sodio	Sodium Arsenite	Arsenite Sodique	Na ₂ AsO ₃	Sol. sat.	20	68		R			R	R	R	R	R				
					50	122			R						R	R			
					60	140			R			R	R	R					
Azúcar, Sol. Acuosa	Sugar	Sucre	C ₆ H ₁₂ O ₆	Sol.	20	68							R	R					
					60	140								R	R				
Benceno	Benzene	Benzène	C ₆ H ₆	Tg-L	20	68	N	N	R	L	L	L	N	N	N				
					60	140				L	N	N							
Benzaldeído	Benzaldehyde	Benzaldéhyde	C ₆ H ₅ CHO	Tg-L	20	68		R			R		N	N	N				
					60	140		R			L		N	N					

PRODUCTO	PRODUCT	PRODUIT	FORM.	CONC.	TEMP.	EVA	EPDM	FPM	NBR	HDPE	PP	PVC-U	PVC-C	ABS
						°C	°F							
Benzoato de Sodio	Sodium Benzoate	Benzoate de Sodium	C ₆ H ₅ COONa	Sol. sat.	20	68	R	R	R	R				R
					40	104	L	R	R				R	
					60	140		R	R				R	
					80	176		L					R	
				35	20	68					R	R	R	
					60	140							R	
Bicarbonato de Potasio	Potassium Bicarbonate	Bicarbonate de Potassium	KHCO ₃	Sol. sat.	20	68	R	R	R	R	R	R	R	R
					50	122	R							
					60	140		R		R	R	R	R	
					93	200							R	
					100	212							R	
Bicarbonato de Sodio	Sodium Bicarbonate	Bicarbonate de Sodium	NaHCO ₃	Sol. sat.	20	68	R	R	R	R	R	R	R	R
					40	104		R	R					
					50	122	R						R	
					60	140		R	R	R	R	R	R	
					80	176		R	R				R	
					100	212					R			
Bifluoruro de Amonio	Ammonium Bifluoride	Bifluorure d'Ammonium	NH ₄ HF ₂	Sol. sat.	20	68								R
					60	140								
Bisulfato de Potasio	Potassium Bisulfate	Bisulfate de Potassium	KHSO ₄	Sol. sat.	20	68		R		R	R	R	R	R
					50	122		R						
					60	140		R		R	R	R	R	
					80	176		R					R	
					93	200							R	
Bisulfato de Sodio	Sodium Bisulfate	Bisulfate de Sodium	NaHSO ₄	Sol. sat.	20	68		R	R	R	R	R	R	R
					40	104		R	R					
					50	122		R	R				R	
					60	140		R	R	R	R	R	R	
					93	200							R	
				10	20	68		R	R	R				
					40	104		L	R	L				
					60	140			R	N				
					93	200			R					
Bisulfuro de Calcio	Calcium Bisulfide	Bisulfite de Calcium	Ca(HS) ₂ ·6H ₂ O	Sol. sat.	20	68		R	R	N				R
					50	122								
					93	200			R				R	
Bisulfito de Sodio	Sodium Bisulphite	Bisulfite de Sodium	NaHSO ₃	Tg-L	20	68		R	L	L				R
					40	104		L	N	N				
					60	140			N				R	
Borato de Potasio	Potassium Borate	Borate de Potassium	K ₃ BO ₃	1	20	68	R							R
					50	122	R							
				10	20	68		R	R	R				R
					40	104			R	R				R
					60	140			R	R				R
				Sol. sat.	20	68					R	R	R	R
					60	140					R	R	R	R
Borato de Sodio	Sodium Borate	Borate de Sodium	Na ₃ BO ₃	Sol. sat.	20	68	R	R	R					R
					40	104		R	R					
					50	122	R						R	
					60	140		R	R				R	
Borax	Borax	Borax	NaB ₄ O ₇ ·10H ₂ O	Sol.	20	68			R	R	R	R	R	R
					40	104			R	R				
					50	122							R	
					60	140				R	R	L	R	
					80	176			R	R			R	
					93	200							R	
Bromato de Potasio	Potassium Bromate	Bromate de Potassium	KBrO ₃	Sol. sat.	20	68		R	R	R	R			R
					50	122		R	R	R				
					60	140		R	R	R			R	
					80	176			R	R			R	
					100	212			R				R	
				Hasta 10	20	68	R			R	R	R	R	R
					50	122	R						R	
					60	140				R	R	R	R	
					93	200							R	
Bromato de Sodio	Sodium Bromate	Bromate de Sodium	NaBrO ₃	Tg-L	20	68		R	R	R				R
					40	104			R	L				
					60	140			R	N			R	
Bromo, Gas	Bromine Gas	Brome, Gaz	Br ₂	Tg-G	20	68	N	R	N	N	N	N	N	N
					60	140								
Bromo, Líqu.	Bromine Liquid	Brome, Liquide	Br ₂	Tg-L	20	68	N	R	N	N	N	N	N	N
					60	140								
Bromobenceno	Bromobenzene	Bromobenzène	C ₆ H ₅ Br	Tg-L	20	68		R					N	
					60	140								N
Bromoetano	Bromoethane	Bromoethane	C ₂ H ₅ Br	Tg-L	20	68							N	
					60	140								N
Bromuro de Bario	Barium Bromure	Bromure de Barium	BaBr ₂	Sol. sat.	20	68				R	R	R	R	
					50	122								
					60	140				R	R	R		
					100	212					R			
Bromuro de Calcio	Calcium Bromide	Bromure de Calcium	CaBr ₂	Sol. sat.	20	68		R	R					R
					40	104		R	R					
					50	122							R	
					60	140		R	R				R	
Bromuro de Etileno	Ethylene Bromide	Bromure d'Ethylene	BrCH ₂ CH ₂ Br	Tg-L	20	68								N
					60	140								
Bromuro de Litio	Lithium Bromide	Bromure de Lithium	LiBr	Tg-G	20	68		R	R					R
					60	140								
Bromuro de Metil	Methyl Bromide	Methyl Bromure	CH ₃ Br	Tg-G	20	68		R	L	N				N
					60	140								
Bromuro de Potasio	Potassium Bromide	Bromure de Potassium	KBr	Sol. sat.	20	68	R	R	R	R	R	R	R	R
					50	122	R	R	R	R	R	R	R	R
					60	140		R	R	R	R	R	R	
					80	176			R	L			R	
					100	212			R	L			R	
Bromuro de Sodio	Sodium Bromide	Bromure de Sodium	NaBr	Sol. sat.	20	68		R	R	R	R	R	R	R
					40	104			R	L				
					50	122							R	
					60	140			R	R	R	R	R	
					80	176			R				R	

PRODUCTO	PRODUCT	PRODUIT	FORM.	CONC.	TEMP.		EVA	EPDM	FPM	NBR	HDPE	PP	PVC-U	PVC-C	ABS		
					°C	°F											
Butadieno, Gas	Butadiene	Butadiène	$H_2C=CHC=CH_2$	Tg-G	20	68				N	L	N			R	R	
					60	140										R	R
					100	212											R
Butano, Gas	Butane	Butane	C_4H_{10}	Tg-G	20	68				N	R	R	R	R	R	R	
					60	140										R	R
					100	212											R
Butanodiol	Butanediol	Butanediol	$HO-(CH_2)_4-OH$	10	20	68	R	R	R	R					N		
					60	140	R	R	R	R							
					100	212	R	R	R	R							
Butilfenoles	Butyl Phenol	Butylphénol	$C_6H_5C_6H_4OH$	Sol. sat.	20	68				N	L	N		R	N	N	
					60	140									R	N	N
					100	212										R	N
Butilglicol	Butylglycol	Butylglycol	$C_8H_{14}O_2$	Tg-L	20	68							R		R		
					60	140									R		
					100	212									R		
Carbonato de Amonio	Ammonium Carbonate	Carbonate d'Ammonium	$CH_3O_3 \cdot 2H_3N$	50	20	68							R	R	R		
					60	140									R	R	
					100	212									R	R	
				Sol. sat.	20	68	R						R	R	R	R	R
					60	140	R						R	R	R	R	R
					100	212	R						R	R	R	R	R
Carbonato de Bario	Barium Carbonate	Carbonate de Barium	$BaCO_3$	Susp.	20	68	R	R	R	R	R	R	R	R	R		
					60	140	R	R	R	R	R	R	R	R	R		
					100	212	R	R	R	R	R	R	R	R	R		
				Sol. sat.	20	68							R	R	R	R	
					60	140							R	R	R	R	
					100	212							R	R	R	R	
Carbonato de Bismuto	Bismuth Carbonate	Carbonate de Bismuth	$(BiO)_2CO_3$	Sol. sat.	20	68							R	R	R		
					60	140									R	R	
					100	212									R	R	
				Susp.	20	68	R	R	R	R	R	R	R	R	R	R	
					60	140	R	R	R	R	R	R	R	R	R	R	
					100	212	R	R	R	R	R	R	R	R	R	R	
Carbonato de Calcio	Calcium Carbonate	Carbonate de Calcium	$CaCO_3$	Susp.	20	68	R	R	R	R	R	R	R	R			
					60	140	R	R	R	R	R	R	R	R			
					100	212	R	R	R	R	R	R	R	R			
				Sol. sat.	20	68							R	R	R		
					60	140							R	R	R		
					100	212							R	R	R		
Carbonato de Magnesio	Magnesium Carbonate	Carbonate de Magnesium	$MgCO_2$	Susp.	20	68	R					R	R	R			
					60	140	R					R	R	R			
					100	212	R					R	R	R			
				Sol. sat.	20	68							R	R	R		
					60	140							R	R	R		
					100	212							R	R	R		
Carbonato de Potasio	Potassium Carbonate	Carbonate de Potassium	K_2CO_3	Sol. sat.	20	68	R					R	R	R			
					60	140	R					R	R	R			
					100	212	R					R	R	R			
				Susp.	20	68							R	R	R		
					60	140							R	R	R		
					100	212							R	R	R		
Carbonato de Sodio	Sodium Carbonate	Carbonate de Sodium	Na_2CO_3	Sol. sat.	20	68	R	R	R	R	R	R	R	R			
					60	140	R	R	R	R	R	R	R				
					100	212	R	R	R	R	R	R	R				
					20	68							R	R	R		
					60	140							R	R	R		
					100	212							R	R	R		
				Hasta 50	20	68							R	R	R		
					60	140							R	R	R		
					80	176							R	R	R		
					93	200							R	R	R		
					20	68							R	R	R		
					100	212							R	R	R		
Carbonato de Zinc	Zinc Carbonate	Carbonate de Zinc	$ZnCO_3$	Susp.	20	68							R	R			
					60	140								R	R		
					100	212								R	R		
				Sol. sat.	20	68							R	R	R		
					60	140							R	R	R		
					100	212							R	R	R		
Cerveza	Beer	Bière		Sol. frab.	20	68				R	R	R	R	R			
					60	140						R	R	R			
					80	176							R	R			
					93	200							R	R			
Cianuro de Cobre (II)	Copper Cyanide	Cyanure de Cuivre	$Cu(CN)_2$	Sol. sat.	20	68							R	R			
					60	140							R	R			
					80	176							R	R			
					93	200							R	R			
Cianuro de Plata	Silver Cyanide	Cianide d'Argent	$AgCN$	Sol. sat.	20	68				R	R	R	R				
					60	140						R	R				
					80	176							R	R			
					93	200							R	R			
Cianuro de Potasio	Potassium Cyanide	Cyanure de Potassium	KCN	Sol.	20	68						R	R				
					60	140						R	R				
					100	212						R	R				
				Sol. sat.	20	68						R	R				
					60	140						R	R				
					100	212						R	R				
Cianuro de Sodio	Sodium Cyanide	Cianide de Sodium	$NaCN$	Sol. sat.	20	68				R	R	R	R				
					60	140						R	R				
					80	176							R	R			
					93	200							R	R			
Cianuro de Zinc	Zinc Cyanide	Cianide de Zinc	$Zn(CN)_2$	Sol. sat.	20	68							R				
					60	140							R				
					80	176							R				
					93	200							R				
Cianuro Mercurico	Mercuric Cyanide	Cianure de Mercure	$Hg(CN)_2$	Sol. sat.	20	68				R	R	R	R				
					60	140						R	R				
					80	176							R	R			
					93	200							R	R			
Ciclohexano	Cyclohexane	Cyclohexane	C_6H_{12}	Tg-L	20	68	N	N	R	R		R	N				
					60	140	N	N	R	R		R	N				
					100	212	N	N	R	R		R	N				
Ciclohexanol	Cyclohexanol	Cyclohexanol	$C_6H_{11}OH$	Sol. sat.	20	68	R						N				
					60	140	R						N				
				Tg-S	20	68				N	R	L	R	N			
Ciclohexanona	Cyclohexanone	Cyclohexanone	$C_6H_{10}O$	Tg-L	20	68				L	N	N	R				
					60	140						L	N				
					100	212						L	N				

PRODUCTO	PRODUCT	PRODUIT	FORM.	CONC.	TEMP. °C °F	EVA	EPDM	FPM	NBR	HDPE	PP	PVC-U	PVC-C	ABS				
Ciclohexilamina	Cyclohexilamine	Cyclohexilamine	C ₆ H ₁₃ N	Tg-L	20 68									N				
Clorato de Calcio	Calcium Chlorate	Chlorate de Calcium	Ca(ClO ₃) ₂ ·2H ₂ O	Sol. sat.	20 68	R				R	R	R	R	R				
					50 122	R				R	R	R	R	R				
					60 140						R	R	R	R	R			
					93 200													
Clorato de Potasio	Potassium Chlorate	Clorate de Potassium	KClO ₃	Sol. sat.	20 68		R	R	R	R	R	R	R	R				
					40 104		R	R	L						R			
					50 122												R	
					60 140			R		R	R	R	R	R	R	R		
					80 176			R										
93 200			R															
Clorato de Sodio	Sodium Chlorate	Chlorate de Sodium	NaClO ₃	Sol. sat.	20 68			R	R	R	R	R	R	R				
					40 104				R	L								
					50 122												R	
60 140		R	R	N	R	R							R					
80 176		L	R											R				
93 200		N												R				
Clorhidrato de Anilina	Aniline Hydrochloride	Chlorhydrate d'Aniline	C ₆ H ₅ ClN	Sol. sat.	20 68	R	L	L				N		N				
					40 104	R	N	N										
Clorhidrato de Fenilhidrazina	Phénylhydrazine Hydrochloride	Phénylhydrazine Chlorhydrate	C ₆ H ₅ -NH-NH ₂ HCl	Sol. dil.	20 68		R	L						N				
					40 104			R	N									
					60 140		L	L										
80 176		N																
93 200																		
Clorito de Potasio	Potassium Chlorite	Chlorite de Potassium	KClO ₂	Sol. sat.	20 68			R	R	R	R	R	R	R				
					40 104			R	L									
Clorito de Sodio	Sodium Chlorite	Chlorite de Sodium	NaClO ₂	2	20 68		R	R	N	R	R	R	R	R				
					60 140		R	R			L	R	R	R	R			
					93 200						N							
20	20 68										R	R	R	R				
	40 104										R	R	R	R				
	60 140										L	R	R	R				
Cloro, Acuoso	Chlorine	Chlore	Cl ₂ aq	Tg-L	20 68		N	L	N				N					
Cloro, Gas Húmedo	Chlorine	Chlore	Cl ₂	Tg-G	20 68		N	R	N				N					
Cloro, Gas Seco	Chlorine	Chlore	Cl ₂	Tg-G	20 68		N	R	N	L	N	L	N					
60 140					60 140					N	N	N	N					
Clorobenceno	Chlorobenzene	Chlorobenzene	C ₆ H ₅ Cl	Tg-L	20 98	N	N	N					N					
Cloroetanol	Chlorethanol	Chlorethanol	C ₂ H ₅ ClO	Tg-L	20 68	L	N	R			R	N	N					
					60 140								N					
Cloroformo	Chloroform	Chloroforme	CHCl ₃	Tg-L	20 68					N	L	N	N					
					60 140						N	N	N	N				
Clorometano, Gas	Chloromethane	Chloromethane	CH ₃ Cl	Tg-G	20 68					L		N						
Cloropropanos	Chloropropane	Chloropropane	C ₃ H ₇ Cl	Tg-L a 47	20 68							N						
Cloruro de Acetilo	Acetyl Chloride	Chlorure d'Acétyle	CH ₃ COCl	Tg-L	20 68	R	N	N					N					
Cloruro de Alilo	Allyl Chloride	Chlorure d'Allyl	CH ₂ CHCH ₂ Cl	Sol. Sat	20 68							N	N					
					40 104	R	R	R	R									
Cloruro de Aluminio	Aluminium Chloride	Chlorure d'Aluminium	AlCl ₃	10	20 68			R	R	L								
					60 140		R	R	R									
					80 176		R	R										
					100 212		R	R										
					20 68		R	R	R	R	R	R	R	R	R			
					40 104		R	R	R									
Sol. sat.	50 122												R					
	60 140		R	R	R	R	R	R	R	R	R							
	80 176		R	L									R					
100 212		R	N								L							
Cloruro de Amilo	Amyl Chloride	Chlorure d'Amyle	C ₅ H ₁₁ Cl	Tg-L	20 68	N							N					
					40 104	R	R	R	R	R	R	R	R					
Cloruro de Amonio	Ammonium Chloride	Chlorure d'Ammonium	NH ₄ Cl	Sol. sat.	50 122	R								R				
					60 140		R	R	R	R	R	R	R	R				
					80 176		R	R							R			
					93 200		R	R								R		
					20 68	R	R	R	N	R	R	R	R	R	R			
50 122	R																	
60 140								R	R	R	R							
93 200																		
Cloruro de Bario	Barium Chloride	Chlorure de Barium	BaCl ₂ ·2H ₂ O	Sol. sat.	20 68		R	R	R	R	R	R	R					
					40 104		R	R	R									
50 122												R						
60 140		R	R	R	R	R	R	R	R	R								
80 176			R															
93 200			R															
Cloruro de Bencilo	Benzyl Chloride	Chlorure Benzylique	C ₇ H ₇ Cl	Tg-L	20 68													
					50 122	R												
Cloruro de Benzoilo	Benzoyl Chloride	Chlorure de Benzoyl	C ₇ H ₅ ClO	Sol. sat.	20 68													
Cloruro de Butirilo	Butyric Chloride	Chlorure Butyrique	C ₄ H ₇ ClO	Tg-L	20 68								N					
					60 140									N				
Cloruro de Calcio	Calcium Chloride	Chlorure de Calcium	CaCl ₂	Sol. sat.	20 68	R	R	R	R	R	R	R	R					
					40 104		R	R	R									
					50 122	R									R			
					60 140		R	R	R	R	R	R	R	R				
					80 176		R	R	L									
					93 200		L	R						R	R			
Cloruro de Cobre (II)	Copper Chloride	Chlorure de Cuivre (II)	CuCl ₂	Sol. sat.	20 67	R				R	R	R	R					
					50 122	R					R	R	R	R				
					60 140						R	R	R	R				
					93 200										R			
Cloruro de Estaño (II)	Stannous Chloride	Etain Chlorure (II)	SnCl ₂	Sol. sat.	20 68					R	R	R	R					
					50 122									R				
					60 140						R	R	R	R				
Cloruro de Estaño (IV)	Stannic Chloride	Etain Chlorure (IV)	SnCl ₄	Sol.	20 68					R	R	R	R					
					50 122									R				
					60 140						R	R	R	R				
Cloruro de Etilo, Gas	Ethyl Chloride	Chlorure d'Ethyl	C ₂ H ₅ Cl	Tg-G	20 68		N	L	N			N						
					60 140								N					
Cloruro de Fósforo (III)	Phosphorous Trichloride	Trichlorure de Phosphore	PCl ₃	Tg-L	20 67				R	N	N							
					60 140					L								
Cloruro de Laurilo	Lauryl Chloride	Chlorure Laurylique	C ₁₂ H ₂₅ Cl	Sol. sat.	20 68													
					50 122									R				
Cloruro de Magnesio	Magnesium Chloride	Chlorure de Magnésium	MgCl ₂	Sol. sat.	20 68	R				R	R	R	R					
					50 122	R								R				
					60 140						R	R	R	R				
					93 200										R			
Cloruro de Metil	Methyl Chloride	Chlorure de Methyl	CH ₃ Cl	Tg-G	20 68		N	N										

PRODUCTO	PRODUCT	PRODUIT	FORM.	CONC.	TEMP.		EVA	EPDM	FPM	NBR	HDPE	PP	PVC-U	PVC-C	ABS		
					°C	°F											
Cloruro de Metileno	Methylene Chloride	Chlorure de Methylene	CH ₂ Cl ₂	Tg-L	20	68	N			L	N		L	N	N	N	
					60	140	N						N	N	N	N	
Cloruro de Niquel	Nickel Chloride	Chlorure de Nickel	NiCl ₂	Sol. sat.	20	68	R					R	R	R	R	R	
					50	122	R							R	R	R	R
					60	140								R	R	R	R
					93	200										R	
Cloruro de Potasio	Potassium Chloride	Chlorure de Potassium	KCl	Sol. sat.	20	68	R	R	R	R	R	R	R	R	R	R	
					50	122	R	R	R	R	R	R	R	R	R		
					60	140								R	R	R	
					80	176										R	
					100	212										N	
Cloruro de Sodio	Sodium Chloride	Chlorite de Sodium	NaCl	Sol. sat.	20	68	R	R	R			R	R	R	R		
					40	104									R		
					50	122	R								R		
				10	60	140									R	R	
					80	176										R	
					100	212										N	
					20	68									R	R	
50	122										R						
60	140									R	R						
80	176										R						
100	212											N					
Cloruro de Tionilo	Thionil Chloride	Chlorure de Thyonile	SOCl ₂	Tg-L	20	68		L	R	N	N		N		N		
Cloruro de Vinilo	Vinyl Chloride	Chlorure de Vinyne	CH ₂ =CHCl	Tg-G	20	68			N	R	N						
Cloruro de Zinc	Zinc Chloride	Chlorure de Zinc	ZnCl ₂	Sol. sat.	20	68		R	R			R	R	R	R		
					40	104											
					50	122									R		
				58	60	140		R	R					R	R	R	
					80	176			R								
					100	212											
Cloruro Férrico	Ferric Chloride	Chlorure de Fer (III)	FeCl ₃	Sol. sat.	20	68	L	R	R			R	R	R	R		
					40	104			R	R							
					50	122	L								R		
					60	140		R	R					R	R		
					80	176		R	R								
					90	194			R						R		
Cloruro Ferroso	Ferrous Chloride	Chlorure de Fer	FeCl ₂	Sol. sat.	20	68	L	R	R			R	R	R	R		
					40	104			R	R							
					50	122	L								R		
					60	140		R	R					R	R		
					80	176		R	R						R		
					90	194			R						R		
Cloruro Mercúrico	Mercuric Chloride	Chlorure de Mercure	HgCl ₂	Sol. sat.	20	68	R	R	R	R	R	R	R	R			
					50	122	R	R	R	R	R	R	R				
					60	140		R	R	R	R	R	R				
					90	194								R			
Cloruro Sulfato Ferrico	Ferric Chloridsulfate	Chloridsulfate Ferrique	FeClSO ₄	Sol. sat.	20	68		R	R					R			
					40	104		R	R					R			
					80	176		R	R					R			
					90	194			R					R			
Cloruro Sulfuril	Sulfuryl Chloride	Chlorure de Soufre	SO ₂ Cl ₂	Tg-L	20	68			R	N							
Combustible Diesel	Diesel Fuel	Carburant Diesel		Sol. trab.	20	68			N	R	R						
Cresoles	Cresol	Crésols	CH ₃ C ₆ H ₄ OH	Tg-L	20	68	N		R	L		R	N	N	N		
					40	104			R	L					N		
					50	122	N								N		
					60	140									N		
Cromato de Potasio	Potassium Chromate	Chromate de Potassium	K ₂ CrO ₄	Sol. sat.	20	68		R	R	R	R	R	R	R			
					40	104			R	L							
					50	122								R			
				40	60	140		R	N	R	R	R	R				
					93	200								R			
Cromato de Sodio	Sodium Chromate	Chromate de Sodium	Na ₂ CrO ₄ ·10H ₂ O	Sol. dil.	20	68			R	R	R	R	R				
					40	104			R	L							
					50	122								R			
					60	140		R	R	N	R	R	R				
80	176								R								
Crotonaldehído	Croton Aldehyde	Aldehyde Crotonique	CH ₃ CH=CHCHO	Sol. sat.	20	68							N				
				Tg-L	20	68		R	R	R			N				
Cuprocianuro de Potasio	Potassium Cuprocyanide	Cuprocyanure de Potassium	[(CH ₃) ₂ CHCH ₂] ₂ CO	Sol. sat.	20	68							R				
				90	194								R				
Decalina	Decaline	Decaline		Tg-L	20	68					R	N					
					60	140							L	N			
Dextrina	Dextrine	Dextrine	(C ₆ H ₁₀ O ₅) _n · xH ₂ O	Sol.	20	68	R	R	R	R	R	R	R	R			
					40	104	R	R	R	R							
					50	122	R							R			
					60	140		R	R	R	R	R	R	L			
93	200									R							
Dextrosa (Dec a 200°C)	Dextrose	Dextrose	C ₆ H ₁₂ O ₆	Sol.	20	68	R	R	R	R	R	R	R				
					40	104		R	R								
					50	122	R							R			
					60	140		R	R					R			
					80	176		R	R					R			
93	200			R					R								
Dibromobenceno	Dibromobenzene	Dibromobenzène	C ₆ H ₄ Br ₂	Tg-L	20	68	N	N	N	N				N			
Dibutil Cetona	Di Isobutyl Ketone	Di Isobutyl Ketone	[(CH ₃) ₂ CHCH ₂] ₂ CO	Tg-L	20	68		L	N	N				N			
Dibutileter	Dibutyl Ether	Dibutyl Ether	C ₄ H ₉ OC ₄ H ₉	Tg-L	20	68		N	R	R				N			
					40	104			R	L							
					60	140				L	N						
Dicloro-Bencenos	Dichlorobenzene	Dichlorobenzene	C ₆ H ₄ Cl ₂	Tg-L	20	68							N				
Dicloro-Etilenos	Dichloroethylene	Dichloroethylene	C ₂ H ₂ Cl ₂	Tg-L	20	68		N	L	N		L	N				

PRODUCTO	PRODUCT	PRODUIT	FORM.	CONC.	TEMP.	EVA	EPDM	FPM	NBR	HDPE	PP	PVC-U	PVC-C	ABS				
						°C	°F											
1,1 - Dicloruro de Etileno	1,1 - Ethylene Dichloride	1,1 - Dichlorure d'Ethylene	C ₂ H ₄ Cl ₂	Tg-L	20	68		N	R	L		L	N	N				
					40	104			R	N								
					60	140			R				L	N	N			
1,2 - Dicloruro de Etileno	1,2 - Ethylene Dichloride	1,2 - Dichlorure d'Ethylene	C ₂ H ₄ Cl ₂	Tg-L	20	68		N	L	N		L	N	N				
					40	104			R	R								
					60	140			R									
Dicromato de Potasio	Potassium Dichromate	Dichromate de Potassium	K ₂ Cr ₂ O ₇	Sol. sat.	20	68		R	R	R	R	R	R	R				
					40	104			R	L				R	R			
					50	122			R						R	R		
				40	60	140						R	R					
					80	176										R		
					100	212							R					
Dicromato de Sodio	Sodium Dichromate	Dichromate de Sodium	Na ₂ Cr ₂ O ₇ ·2H ₂ O	Sol. sat.	20	68	R				R	R	R	R				
					40	104	R		R					R				
					60	140			R		R	R		R				
					80	176						R		R				
					90	176								R				
Dietanolamina	Diethanolamine	Diethanolamine	C ₄ H ₁₁ NO ₂	Tg-S	20	68							N	R				
Dietilamina	Diethylamine	Diéthylamine	C ₄ H ₁₀ NH	Tg-L	20	68		L	N	N				N	R			
Dietilenglicol	Diethylen Glycol	Diethylen Glycol	C ₄ H ₁₀ O ₃	Tg-L	20	68	R							R				
Difenilamina	Diphenyl Amine	Diphenyl Amine	(C ₆ H ₅) ₂ NH	Sol. trab.	20	68								N	R			
Dimetilamina	Dimethylamine	Diméthylamine	(CH ₃) ₂ NH	30	20	68								R	N			
Dimetilamina, Gas	Dimethylamine	Diméthylamine	(CH ₃) ₂ NH	Tg-G	20	68		L	N	N				R	N			
Dimetilnilina	Dimethylaniline	Diméthylaniline	C ₆ H ₅ N(CH ₃) ₂	Tg-L	20	68	R								N			
Dimetil-Formamida	Dimethyl Formamide	Diméthyl Formamide	HCON(CH ₃) ₂	Tg-L	20	68		L	N	L				R	N			
Dinonil Ftalato	Dinonyl Phthalate		C ₈ H ₄ ((CH ₂) ₈ CH ₃) ₂	Tg-L	20	68		L	R	N					N			
Dioxano	Dioxane	Dioxane	O=(CH ₂) ₄ =O	Tg-L	20	68			N	L	R		L	N	N			
Dióxido de Azufre, Gas Húmedo	Sulfur Dioxide, Gas Wet	Dioxyde de Soufre	SO ₂		20	68			N	L	N			R	N			
					40	104									R			
					60	140												
Dióxido de Azufre, Gas Seco	Sulfur Dioxide, Gas Dry	Dioxyde de Soufre	SO ₂		20	68			R	R	N	R	R	R				
					40	104			L	L								
					60	140			N		R	R	R	R				
Dióxido de Carbono, Gas Húmedo	Carbon Dioxide	Dioxyde de Carbone, Gaz Humide	CO ₂	Tg-G	20	68			R	R	R	R	R	R				
					40	104			R	R	R							
					50	122												
					60	140			R	R	R	R	R	R				
					80	176				R								
Dióxido de Carbono, Gas Seco	Carbon Dioxide	Dioxyde de Carbone, Gaz Sec	CO ₂	Tg-G	20	68				R	R	R	R					
					50	122												
					60	140					R	R	R					
Dióxido de Carbono, Sol. Acuosa	Carbon Dioxide	Dioxyde de Carbone	CO ₂	Sol. sat.	20	68							R	R				
					50	122								R	R			
					60	140								R	R			
					80	176												
Disulfito de Sodio	Sodium Disulphite	Disulfite de Sodium	Na ₂ S ₂ O ₅	Sol. sat.	20	68			R	L				R				
					40	104			R	N				R				
					60	140			R	R				R				
					80	176								R				
Disulfuro de Carbono	Carbon Disulfide	Disulfure de Carbone	CS ₂	Tg-L	20	68			R	N	L	R	N					
					60	140					N	N	N					
Edta	Edta	Edta	C ₁₀ H ₁₆ N ₂ O ₈		20	68		R					R					
Emulsiones de Parafina	Paraffin Emulsions	Émulsions de Paraffine		Sol. trab.	20	68		N	R	R								
					40	104			R	R								
					60	140			R	L								
					80	176			R									
Emulsiones Fotograficas	Photographic Emulsions	Émulsions Photographiques			20	68		R	R	L								
					40	104			R	R								
					50	122			R									
Estearato de Zinc	Zinc Stearate	Stearat de Zinc	Zn(C ₁₇ H ₃₅ -COO) ₂	Susp.	20	68		R	L					R				
					40	104			R									
					50	122			R									
Ester Acrílico	Acrylic Ester	Ester Acrylique	CH ₂ =CH-COOCH ₂ CH ₃	Tg-L	20	68		L	N	N			N					
Estireno	Styrene	Styrène	H ₂ C=CH=CH ₂		20	68			R									
Etanol	Ethanol	Ethanol	C ₂ H ₅ OH		< 5	80	176				R							
					40	20	68						L			L	N	
						50	122											
					Tg-L	20	68	R	R	L	L			R	R	L	N	
						50	122	R	R	L	L					L		
60	140			R		L			R	L	L							
Étanolamina	Ethanolamine	Éthanolamine	C ₂ H ₇ NO	Tg-L	20	68							R	N				
Éter de Petróleo (Ligroína)	Ligroine	Ligroine		Sol. trab.	20	68							L	R				
60	140												L	R				
Étil Benzeno	Ethyl Benzene	Benzène Éthylique	C ₆ H ₅ -CH ₂ CH ₃	Tg-L	20	68		N	R	N				N				
Éter Etilico	Ethyl Ether	Ethyl Ether	(C ₂ H ₅) ₂ O	Tg-L	20	68		N	N	N	L	R	N	N				
60	140										L	N	N					
Etilendlorhidrina	Ethylene Chlorohydrin	Ethylene Chlorohydrine	ClCH ₂ CH ₂ OH	Tg-L	20	68								N	N			
					50	122												
					60	140												
Etilendiamina	Ethylene Diamine	Éthylène Diamine	H ₂ N-CH ₂ -CH ₂ -NH ₂	Tg-L	20	68		R	L	R				N				
					40	104			L	L								
					60	140			N	N								
Etilenglicol	Ethylene Glycol	Éthylèneglycol	CH ₂ OHCH ₂ OH		< 50	80	176								R			
					20	68	R	R	R	R	R	R	R	L	R			
						40	104	R	R	R					L			
					Tg-L	50	122										L	R
						60	140	R	R	L	R	R	R	R	L			
Étilglicol	Ethyl Glicol	Éthyl Glycol	HOCH ₂ CH ₂	Tg-L	50	122												
Fenilhidrazina	Phenylhydrazine	Phénylhydrazine	C ₆ H ₅ NHNH ₂	Tg-L	20	68		N	R	N				N	N			
					40	104			R									
					60	140			L					N				

PRODUCTO	PRODUCT	PRODUIT	FORM.	CONC.	TEMP.		EVA	EPDM	FPM	NBR	HDPE	PP	PVC-U	PVC-C	ABS				
					°C	°F													
Fenol	Phenol	Phénol	C ₆ H ₅ OH	Sol.	20	68						R			R				
					60	140					R				R				
					80	176										L			
				5	20	68			R	R	N			R					N
					40	104		L	R										
					60	140			R					R					
				Hasta 10	20	68			R	N									
					40	104			R										
					60	140		R	R										
				90	20	68			L	L									
					80	176													
					20	68		N	R	N				R	N	R			
Ferricianuro de Sodio	Sodium Ferricyanide	Sodium Ferricianide	Na ₃ Fe(CN) ₆ ·H ₂ O	Sol. sat.	20	68					R	R	R	R	R				
					60	140					R	R	R	R	R				
					60	140								R	R	R	R		
Ferrocianuro de Sodio	Sodium Ferrocyanide	Sodium Ferrocianide	Na ₄ Fe(CN) ₆ ·10H ₂ O	Sol. sat.	20	68					R	R	R	R	R				
					60	140							R	R	R	R			
					60	140								R	R	R	R		
Fertilizantes	Fertilizers	Engrais		Sol.	20	68		R	R	R									
					40	104		R	R	R									
					60	140		R	R	R									
					80	176			R										
					100	212			R										
Fijadores Fotograficos	Photographic Fixer	Fixateur Photographique		Sol. trab.	20	68		R	R	R									
					40	104		R	R	R									
Flúor Gas, Húmedo	Fluorine Gas Wet	Fluor	F ₂	Tg-G	20	68		N	N	N	N	N	N	N	N				
Flúor Gas, Seco	Fluorine Gas Dry	Fluor	F ₂	Tg-G	20	68		N	N	N	N	N	N	N	N				
					60	140					N	N	N	N					
Fluoruro de Aluminio	Aluminium Fluoride	Fluorure d'Aluminium	AlF ₃	Susp.	20	68						R	R	R	R				
					50	122									R	R			
					60	140								R	R	R	R		
					93	200												R	
Fluoruro de Amonio	Ammonium Fluoride	Fluorure d'Ammonium	NH ₄ F	Hasta 20	20	68					R	R	R	R	R				
					60	140					R	R	L						
Fluoruro de Cobre	Copper Fluoride	Fluorure de Cuivre (II)		Sol. sat.	93	200								R					
					20	68									R				
Fluoruro de Potasio	Potassium Fluoride	Fluorure de Potassium	KF	Sol. sat.	93	200								R					
					20	68							R	R	R	R			
					50	122							R	R	R	R			
Fluoruro de Sodio	Sodium Fluoride	Fluoride de Sodium	NaF	Sol. sat.	20	68			R	R	R	R	R	R	R				
					40	104			R	R					R				
					50	122										R	R		
					60	140		R	R	L	R	R	R	R	R				
Formaldehido	Formaldehyde	Formaldehyde	HCHO	Sol. dil.	20	68								R	R	R			
					60	140									L	R			
					80	176											R		
				30 a 40	20	68		R	R	R	R	R	R	R	R	R	R		
					40	104			R	R	R								
					50	122		L									R	R	
				37	60	140		R	R	L	R				R	R			
					100	212													
				50	20	68											R		
					60	140											R		
Formamida	Formamide	Formamide	HCONH ₂	Tg-L	20	68		R	L	R									
Fosfato de Amonio	Ammonium Phosphate	Fosfate d'Ammonium	NH ₃ H ₂ PO ₄	Sol. sat.	20	68		R	R	R		R	R	R	R				
					40	104		R	R	R					L				
					50	122											R		
					60	140				R	L				R				
Fosfato de Sodio	Sodium Phosphate	Fosfate de Sodium	Na ₃ PO ₄	Sol. sat.	100	212			R										
					20	68		R	R	R		R	R	R	R				
					40	104		R	R	R					R				
					60	140		R	R	R					R				
Fosfato de Sodio, Ácido	Sodium Phosphate, Acid	Fosfate de Sodium, Acide	NaH ₂ PO ₄	Sol. sat.	90	194								R					
					20	68		R				R	R	R	R				
					50	122		R						R	R	R			
					60	140							R	R	R	R			
Fosfato de Sodio, Neutro	Sodium Phosphate, Neutral	Fosfate de Sodium, Neutre	Na ₂ HPO ₄	Sol. sat.	80	176								R					
					20	68						R	R	R	R				
					50	122							R	R	R	R			
					60	140							R	R	R	R			
Fosfato de Tributilo	Tributyl Phosphate	Tributyl Phosphate	(C ₄ H ₉) ₃ PO ₄	Tg-L	80	176								R					
					20	68		R	N	N					N				
					20	68		R	N	N									
Fosfato de Tricresil	Tricresyl Phosphate	Tricresyl Phosphate	(H ₃ C-C ₆ H ₄ -O) ₃ PO	Tg-L	40	104													
					20	68		R	N	N									
Fosfato de Trioctil	Trioctyl Phosphate	Trioctyl Phosphate	(C ₈ H ₁₇) ₃ PO ₄	Tg-L	40	104													
Fosfato de Zinc	Zinc Phosphate	Phosphate de Zinc	Zn ₃ (PO ₄) ₂	Sol. sat.	20	68		R	N	L									
					20	68		R	R										
					40	104		R	R										
					60	140		R	R										
Fosfina	Phosphines	Phosphines		Tg-G	80	176													
					20	68							R	R	R				
					60	140							R	R	R				
Fosgeno	Phosgene	Phosgène	COCl ₂	Tg-L	20	68		N	R	L									
					20	68		R	R	R									
					40	104			R	R									
Fréon - F12	Freon 12	Freon 12	CCl ₂ F ₂	Sol. trab.	60	140													
					20	68									L	R			
					50	122										L	R		
Fructosa	Fructose	Fructose	C ₆ H ₁₂ O ₆	Sol.	20	68		R				R	R	R					
					50	122		R				R	R	R					
					93	200						R	R						
Ftalato de Butilo	Butyl Phtalate	Phtalate de Butyl		Tg-L	20	68						R	N	N	N				
					60	140								L	N				
Ftalato de Diisooctilo	Diisocetyl Phtalate	Phtalate de Diisocetyl		Tg-L	20	68						R	N	N	N				
					60	140								L	N				
Ftalato de Dioctilo	Diocetyl Phtalate	Phtalate de Dioctyl	C ₆ H ₄ (COOC ₈ H ₁₇) ₂	Tg-L	20	68		L	L	R	N	R	L	N	N	N			
					50	122		N						L	L	N	N		
					60	140								L	L	N	N		

PRODUCTO	PRODUCT	PRODUIT	FORM.	CONC.	TEMP.		EVA	EPDM	FPM	NBR	HDPE	PP	PVC-U	PVC-C	ABS			
					°C	°F												
Fuel Oil	Fuel Oil	Fioul			20	68		N	R	R								
					40	104			R	R								
					60	140			R	R								
Gas, Natural, Húmedo	Gas, Natural, Wet	Gaz, Naturelle, Humide		Tg-G	20	68					R		R		R			
					40	104												
					50	122												
Gas, Natural, Seco	Gas, Natural, Dry	Gaz, Naturelle, Sec		Tg-G	20	68			R	R	R		R	R	R			
					40	104												
					50	122												
Gas, Sintético	Gas, Synthetic	Gaz, Synthétique		Tg-G	20	68					R		R		R			
					40	104												
					60	140												
Gases Nitrosos	Nitrous Gases	Gaz d'Azote	NO _x	Sol. dil.	20	68			R	L								
					40	104			R	N								
					60	140			L	R								
Gasolina	Gasoline	Gasoline		Sol. trab.	20	68		N	R	R	R	N	R	N	N			
					40	104			R	R	R	L	N	R	N			
					60	140												
Gelatina	Gelatin	Gelatine		Sol.	20	68		R	R	R	R	R	R	R	R			
					40	104			R	R								
					50	122												
Glicerina	Glycerine	Glycérine	C ₂ H ₅ (OH) ₃	Tg-L	20	68	R				R	R	R	R	R			
					40	104	R											
					50	122												
Glicerol	Glycerol	Glycérol	HOCH ₂ -CHOH-CH ₂ OH	Tg-L	20	68			R	R	R							
					40	104			L	L	R							
					60	140												
Glicocol	Glycocol	Glycocol	NH ₂ -CH ₂ -COOH	10	20	68			R	R								
					40	104			R	L								
					60	140												
Glucosa (Dec a >200°C)	Glucose	Glucose	C ₆ H ₁₂ O ₆ ·H ₂ O	Sol.	20	68			R	R	R	R	R	R	R			
					40	104			R	R	R	R	R	R	R	R		
					60	140			R	R	R	R	R	R	R	R		
Heptano	Heptane	Heptane	C ₇ H ₁₆	Tg-L	20	68	N	N	R	R	R	L	R	L	R			
					40	104			R	R								
					50	122	N											
Hexacianoferrato (II) de Potasio	Potassium Ferrocyanide	Potassium Ferricyanure	K ₄ Fe(CN) ₆ ·3H ₂ O	Sol. sat.	20	68		R	R		R	R	R	R	R			
					40	104												
					60	140												
Hexadecanol	Hexadecanol	Hexadecanol	C ₁₆ H ₃₃ OH	Sol. trab.	20	68								R				
					40	104										R		
					60	140												
Hexano	Hexane	Hexane	C ₆ H ₁₄	Tg-L	20	68	N	N	R	R		R	R	N				
					40	104			R	R								
					50	122	N											
Hexanol	Hexanol	Hexanol	CH ₃ (CH ₂) ₄ CH ₂ OH	Tg-L	20	68								R	R			
					40	104										R	R	
					60	140												
Hidrato de Hidrazina	Hydrazine Hydrate	Hydrazine Hydrate	H ₂ N-NH ₂ ·H ₂ O	Sol.	20	68		R	L	N					N			
					50	122												
Hidrofluoruro de Amonio	Ammonium Hydrogen Fluoride	Ammonium Hydrogen Fluoride	NH ₄ HF ₂	50	20	68		R	R									
					50	122												
Hidrógeno	Hydrogen	Hydrogène	H ₂	Tg-G	20	68			R	R	R	R	R	R				
					40	104			R	R	R	R	R	R				
					60	140			R	R	R	R	R	R				
Hidrogeno Carbonato de Amonio	Ammonium Hydrogen Carbonate	Hydrogen Carbonate d'Ammonium	HCO ₃ NH ₄	Sol. sat.	20	68					R	R	R	R				
					40	104												
					60	140												
Hidrogenosulfito de Potasio	Potassium Hydrogensulfite	Hydrogensulfite de Potassium	KHSO ₃	Sol.	20	68		R						R				
					40	104			R						R			
					60	140									R			
Hidrogenosulfito de Sodio	Sodium Bisulfate	Sodium Bisulfate	NaHSO ₃	Sol. sat.	20	68					R	R	R	R	R			
					40	104								R	R	R		
					60	140									R	R		
Hidrogenosulfuro de Calcio	Calcium Hydrogensulfide	Hydrogensulfure de Calcium	Ca(HS) ₂	Sol.	20	68					R	R	R	R				
					40	104			R					R	R	R		
					60	140			R					R	R	R		
Hidroquinona	Hydroquinone	Hydroquinone	C ₆ H ₄ (OH) ₂	30	20	68		R				R	R	R	R			
					40	104												
					50	122												
Hidróxido de Aluminio	Aluminium Hydroxide	Hydroxide d'Aluminium	AlO ₃ ·3H ₂ O	Susp.	20	68	R	R			R	R	R	R	R			
					40	104			R									
					50	122	R											
Hidróxido de Amonio	Ammonium Hydroxide	Hydroxide d'Ammonium	NH ₄ OH	Sol. sat.	20	68		R	N	R					N			
					40	104			R	L						N		
					60	140			L	L						N		
Hidróxido de Bario	Barium Hydroxide	Hydroxide de Barium	Ba(OH) ₂	Sol. sat.	20	68		R	R	R	R	R	R	R	R			
					40	104			R	R								
					50	122			R	R								
Hidróxido de Calcio	Calcium Hydroxide	Hydroxide de Calcium	Ca(OH) ₂	Sol. sat.	20	68		R	R	R	R	R	R	R	R			
					40	104			R	R								
					50	122	R											
Hidróxido de Magnesio	Magnesium Hydroxide	Magnesium Hydroxide	Mg(OH) ₂	Sol. sat.	20	68	R				R	R	R	R	R			
					40	104												
					50	122	R											

PRODUCTO	PRODUCT	PRODUIT	FORM.	CONC.	TEMP.		EVA	EPDM	FPM	NBR	HDPE	PP	PVC-U	PVC-C	ABS					
					°C	°F														
Hidróxido de Potasio	Potassium Hydroxide	Potassium Hydroxyde	KOH	10	20	68					R	R	R	R	R					
					50	122						R	R	R	R	R				
					60	140								R	R	R	R			
					80	176										R	R			
				20	20	68	R									R	R	R	R	
					50	122	R									R	R	R	R	
					60	140										R	R	R		
					80	176										R	R	R		
				Hasta 50	20	68							N	L		R	R	R		
					40	104							N			R	R	R		
					60	140										R	R	R		
					80	176										R	R	R		
					100	212						R	R	R						
Hidróxido de Sodio	Sodium Hydroxide	Sodium Hydroxyde	NaOH	50	20	68	R	R	N	L		R	R	R	R					
					40	104					N			R	R	R				
					50	122	R								R	R	R			
					60	140			R						R	R	R			
					80	176						R	R	R						
Hipoclorito de Calcio	Calcium Hypochlorite	Hypochlorite de Calcium	Ca(ClO) ₂	Sol.	20	68	R				R	R		R	R					
					50	122	R							R	R	R				
				60	140									R	R	R				
				93	200										R	R	R			
Hipoclorito de Potasio	Potassium Hypochlorite	Hypochlorite de Potassium	KClO	Sol.	20	68			R	L		R		R						
					60	140							L		R					
					90	194										R				
					93	200										R				
Hipoclorito de Sodio	Sodium Hypochlorite	Sodium Hypochlorite	NaClO·5H ₂ O	5	20	68							R	R	R					
					50	122									R	R				
					60	140									R	R				
					80	176									R	R				
				10 a 15	20	68									R	R	R	R	N	
					50	122									R	R	R	R	N	
					60	140									R	R	R	R	N	
					93	200									R	R	R	R	N	
				13% Cl	20	68			R	R	N	R				R	R	R	N	
					50	122										R	R	R	N	
					60	140										R	R	R	N	
					93	200										R	R	R	N	
Yodo (En Yoduro de Potasio)	Iodine	Iode	I ₂	Sol. sat.	20	68			R		N	R	N		L					
					50	122									R	N				
Yoduro de Potasio	Potassium Iodide	Iodure de Potassium	KI	Sol. sat.	20	68		R	R	R		R		R	R					
					40	104			R	L				R						
					50	122			R					R						
					60	140			R	N				R						
					80	176			R				R							
Ioduro de Sodio	Sodium Iodide	Iodure de Sodium	NaI	Tg-L	20	68		R	R	R				R						
					40	104			R	R				R						
					60	140			R	L			R							
Isobutironitrilo	Isobutyronitrile	Isobutyronitrile	C ₄ H ₇ N	Tg-L	20	68									N					
Isooctano	Isooctane	Isooctane	(CH ₃) ₃ CCH ₂ CH(CH ₃) ₂	Tg-L	20	68			R	R		L			R					
					60	140						N								
Isopropil Éter	Isopropyl Ether	Isopropyl Ether	(CH ₃) ₂ CHOCH(CH ₃) ₂	Tg-L	20	68	L	N	N			L	N	N						
Jabón	Soaps	Savon		Sol.	20	68		R	R	R				R	R					
					40	104			R	R	R				R	R				
					60	140			R	R	R				R	R				
					93	200									R	R				
Jabón Detergente, Solución Acuosa	Detergents	Détergents		Tg-L	20	68			R	R				L	R					
					40	104			R	R	R			L						
					60	140			R	R	R			L						
Jarabe de Almidon	Starch Syrup	Sirop d'Amidon	(C ₆ H ₁₀ O ₅) _n	Sol. trab.	20	68			R	R				R						
					40	104			R	R	R			R						
					60	140			R	R	R			R						
					80	176			R	R	R			R						
Jarabe de Azucar	Sugar Syrup	Sirop de Sucre		Sol. trab.	20	68			R	R				R						
					40	104			R	R	R			R						
					60	140			R	R	R			R						
					80	176			R	R	R			R						
Lanolina	Lanolin	Lanoline		Sol. trab.	20	68			R	R			R		R					
					40	104			R	R				R						
					50	122			R	R				R						
					60	140								L						
Leche	Milk	Lait		Sol. trab.	20	68			R	R	R	R	R	R	R					
					50	122								R	R					
					60	140								R	R					
					100	212								R						
Levadura	Yeast	Levure		Susp.	20	68		R	R	R	R	R	R							
					40	104		R	R	R	R	R	R							
					60	140					R	L	R							
					20	68					R	R	R							
Mahonesa	Mayonnaise	Mayonnaise		Sol. trab.	20	68					R	R	R	R						
Margarina	Margarine	Margarine		Sol. trab.	20	68							R	R						
					50	122							R	R						
Melaza	Molasses	Mélasse		Sol. trab.	20	68		R	R	R	R		R	R	R					
					40	104			R	R	R				R	R				
					50	122									R	R				
					60	140					R	R	R		L					
					80	176					R	R	R							
Mercurio	Mercury	Mercure	Hg	Tg-L	20	68		R	R	R	R	R	R	R	R					
					40	104			R	R	R	R	R	R	R					
					60	140			R	R	R	R	R	R	R					
					80	176			R						R					
Metacrilato de Metilo	Methyl Methacrylate	Méthyle Méthacrylate	C ₅ H ₈ O ₂	Tg-L	20	68							N	N						
Metafosfato de Amonio	Ammonium Metafosfate	Metafosfate d'Ammonium	NH ₄ PO ₃	Sol. sat.	20	68					R	R	R							
					60	140					R	R	R							
					100	212					R	R	R							
Metafosfato de Sodio	Sodium Metaphosphate	Sodium Metafosfate	(NaPO ₃) _n	Sol.	20	68					R	R	R	N						
					50	122					R	R	R	N						
Metil Butil Cetona	Methyl Butyl Ketone	Methyl Butyl Cetone	CH ₃ CO(CH ₂) ₃ CH ₃	Tg-L	20	68							N	N						
					60	140							N	N						
Metil Etil Cetona	Methyl Ethyl Ketone	Methyl Ethyl Cetone	CH ₃ COC ₂ H ₅	Tg-L	20	68			N	N		R	N	N						
					50	122							N	N						
					60	140							N	N						
Metilamina	Methyl Amine	Methyl Amine	CH ₃ NH ₂	Hasta 32	20	68			R	N		R								
Metilciclohexanonas	Methyl Cyclohexanone	Methyl Cyclohexanone	C ₇ H ₁₂ O	Tg-L	20	68								N	R					
					50	122								N	R					
Metilglicol	Methyl Glycol	Methyl Glycol	CH ₃ -OCH ₂ CH ₂ OH	Tg-L	20	68									L					
					50	122									N					

PRODUCTO	PRODUCT	PRODUIT	FORM.	CONC.	TEMP.	EVA	EPDM	FPM	NBR	HDPE	PP	PVC-U	PVC-C	ABS
						°C	°F							
Miel	Honey	Miel		Sol. trab.	20	68				R	R	R	R	R
					50	122								R
					60	140				R	R	R		
Molibdato de Amonio	Ammonium Molibdate	Molibdate Amonique	NH ₄ Mo ₇ O ₂₄ ·7H ₂ O		20	68								R
					50	122								R
Monóxido de Carbono, Gas	Carbon Monoxide	Monoxide de Carbon	CO	Tg-G	20	68				R	R	R	R	R
					50	122								R
					60	68				R	R	R	R	R
					93	200								R
Morfolina	Morpholin	Morpholine	C ₄ H ₉ NO	Tg-L	20	68		R	N					
Mostaza, Acuosa	Mustard	Moutarde		Sol. trab.	20	68				R		R	R	R
Mowilith D	Mowilith D	Mowilith D		Sol. trab.	20	68		R	R					
N - Butanol	Butanol	Butanol	C ₄ H ₁₀ O	Tg-L	20	68		R	R	R	R	R	R	L
					40	104		R	L	R				
					60	140		R	N	R		L	L	L
					100	212						L		N
Nafta	Naphta	Naphte		Sol. trab.	20	68						R	N	N
					60	140								
Naftalina	Naphtalene	Naphtalène	C ₁₀ H ₈	Tg-L	20	68		N	R	R				N
					40	104			R	R				
					60	140			R	R				
Nitrato de Aluminio	Aluminium Nitrate	Nitrate d'Aluminium	Al(NO ₃) ₃ ·9H ₂ O	Sol. Sat	20	68		R		R	R	R	R	R
					50	122		R						R
					60	140		R			R	R	R	
					93	200								R
Nitrato de Amonio	Ammonium Nitrate	Nitrate d'Ammonium	NH ₄ NO ₃	Sol. sat.	20	68	R	R	R	R	R	R	R	R
					50	122	R	R	R	R	R	R	R	R
					60	140	R	R	L	R	R	R	R	R
					80	176				R	R	R		R
					100	212				R	R	L		
Nitrato de Calcio	Calcium Nitrate	Nitrate de Calcium	Ca(NO ₃) ₂	Sol. sat.	20	68	R	R	R	R	R	R	R	R
					50	122	R	R	R					R
					60	140	R	R		R	R	R		R
					93	200								R
				50	20	68	R	R	R	R	R	R	R	R
					40	104	R	R	R	R	R	R	R	R
					60	140	R	R		R	R	R		R
					80	176				R	R			R
Nitrato de Cobre (II)	Copper Nitrate	Nitrate de Cuivre	Cu(NO ₃) ₂ ·3H ₂ O	Sol. sat.	20	68	R			R	R	R	R	R
					50	122	R							R
					60	140				R	R	R		R
					93	200					R			R
Nitrato de Magnesio	Magnesium Nitrate	Magnesium Nitrate	Mg(NO ₃) ₂	Sol. sat.	20	68	R			R	R	R	R	R
					50	122	R							R
					60	140				R	R	R		R
					93	200								R
Nitrato de Niquel	Nickel Nitrate	Nickel Nitrate	Ni(NO ₃) ₂ ·6H ₂ O	Sol. sat.	20	68	R			R	R	R	R	R
					50	122	R							R
					60	140				R	R	R		R
					93	200								R
Nitrato de Plata	Silver Nitrate	Argent Nitrate	AgNO ₃	Sol. sat.	20	68	R	R	R	R	R	R	R	R
					40	104	R	R	R					R
					60	140	R	R	R	R	R	L		R
					93	200					L			R
Nitrato de Potasio	Potassium Nitrate	Potassium Nitrate	KNO ₃	Sol. sat.	20	68	R			R	R	R	R	R
					50	122	R							R
					60	140				R	R	R		R
					90	194								R
Nitrato de Sodio	Sodium Nitrate	Nitrate de Sodium	NaNO ₃	Sol. sat.	20	68		R	R	R	R	R	R	R
					40	104		R	R					R
					50	122								R
					60	140	R	R	R	R	R	R	R	R
					93	200								R
Nitrato de Zinc	Zinc Nitrate	Nitrate de Zinc	Zn(NO ₃) ₂ ·6H ₂ O	Sol. sat.	20	68	R	R		R	R	R	R	R
					40	104	R	R						R
					50	122								R
					60	140	R	R		R	R	R		R
					80	176			R					R
					93	200								R
Nitrato Férrico	Ferric Nitrate	Nitrate de Fer	Fe(NO ₃) ₃ ·9H ₂ O	Sol. sat.	20	68	L			R	R	R	R	R
					50	122	L							R
					60	140				R	R	R		R
					93	200					R			R
Nitrato Ferroso	Ferrous Nitrate	Nitrate Ferreux	Fe(NO ₃) ₂	Sol. sat.	20	68		R	R					R
					40	104		R	R					R
					60	140		R	R					R
					80	176			R					R
					93	200			R					R
Nitrato Mercurioso	Mercurous Nitrate	Nitrate de Mercure	HgNO ₃ ·2H ₂ O	Sol.	20	68	R	R	R	R	R	R	R	R
					50	122	R	R	R	R	R	R	R	R
					60	140	R	R	R	R	R	R	R	R
					80	176			R					R
					60	140				R	R	R	R	R
Nitrito de Sodio	Sodium Nitrite	Nitrite de Sodium	NaNO ₂	Sol. sat.	20	68	R	R	R	R	R	R	R	R
					40	104		R	L	R	R	R	R	R
					50	122				R	R	R	R	R
					60	140			R	N	R	R	R	R
					93	200								R
Nitrobenzeno	Nitrobenzene	Nitrobenzene	C ₆ H ₅ NO ₂	Tg-L	20	68	N	L	N			R	N	N
					60	140						L	N	
Nitrotolueno	Nitrotolueno	Nitrotoluène	C ₇ H ₇ NO ₂	Tg-L	20	68	N	L	L					
					40	104						N	N	
Orina	Urine	Urine			20	68		R	R	R	R	R	R	R
					50	122								R
					60	140	R	R	R	R	R	L		R
					80	176								R
Ortofosfato de Potasio	Potassium Orthophosphate	Orthophosphate de Potassium	K ₃ PO ₄	Sol. sat.	20	68				R				R
					50	122				R				R
					60	140				R				R
					90	197								R

PRODUCTO	PRODUCT	PRODUIT	FORM.	CONC.	TEMP.		EVA	EPDM	FPM	NBR	HDPE	PP	PVC-U	PVC-C	ABS		
					°C	°F											
Oxalato de Amonio	Ammonium Oxalate	Oxalate d'Ammonium	H ₄ NOOC-COONH ₄		20	68		R									
Oxalato de Sodio	Sodium Oxalate	Oxalate de Sodium	Na ₂ C ₂ O ₄	Sol. sat.	20	68			R	R							
Oxícloruro de Aluminio	Aluminium Oxychloride	Oxichlorure d'Aluminium		Susp.	20	68					R	R	R	R		R	
					50	122					R	R	R	R		R	
					60	140					R	R	R	R		R	
Oxícloruro de Fósforo	Phosphore Oxichloride	Oxichlorure de Phosphore	POCl ₃	Tg-L	20	68							L	N	R		
					40	104										R	
Oxido de Mesitilo	Mesityl Oxide	Oxide de Mesityle	C ₆ H ₁₀ O		20	68								N	N		
Oxido de Propileno	Propylene Oxide	Oxyde de Propylène	C ₃ H ₆ O	Tg-L	20	68		L	N	N					N		
Óxido de Zinc	Zinc Oxide	Oxyde de Zinc	ZnO	Susp.	20	68					R	R	R	R	R	R	
					50	122					R	R	R	R	R	R	
					60	140					R	R	R	R	R	R	
Oxígeno, Gas	Oxygen, Gas	Oxygène	O ₂	Tg-G	20	68		R	R	R	R	R	R	R	R	R	
					40	104		R	R						R	R	
					50	122		R	R						R	R	
Ozono, Gas	Ozone	Ozone	O ₃	2 en aire	20	68		L	R	N	L	L	R	R	N		
					20	68		N	R	N	L	L	R	R	N		
					40	104		L						R	R		
Parafina	Parafin	Parafine	C ₂₆ H ₅₄	Tg-L	20	68									R	R	
					20	68										N	
					20	68											N
Pentano	Pentane	Pentane	CH ₃ (CH ₂) ₃ CH ₃		20	68									N		
Perborato de Sodio	Sodium Perborate	Perborate de Sodium	NaBO ₂ ·H ₂ O ₂ ·3H ₂ O	Sol. sat.	20	68		R	R				R	R	R		
Perclorato de Potasio	Potassium Perchlorate	Perchlorate de Potassium	KClO ₄	Sol. sat.	20	68		R	R	R	R	R			R	R	
					40	104		R	R	R	R	R			R	R	
					50	122		R	R	R	R	R			R	R	
					60	140		R	R	R	R						
					80	176		R									
					10	20	68								R	R	R
Perclorato de Sodio	Sodium Perchlorate	Perchlorate de Sodium	NaClO ₄	Sol. sat.	20	68		R	R								
					20	68		R	R								
					40	104		L									
Percloroetileno	Perchloro-Ethylene	Perchloro-Ethylene	Cl ₂ C=CCl ₂		20	68			R	L					N	N	
					40	104				R	N						
					60	140				R							
Permanganato de Potasio	Potassium Permanganate	Potassium Permanganate	KMnO ₄	Sol. sat.	20	68	N	R	R	L					R		
					40	104			R	N						R	
					60	140			R							R	
					80	176			R								
					10	20	68										R
					60	140											R
Peróxido de Hidrógeno	Hydrogen Peroxide	Peroxide d'Hydrogène	H ₂ O ₂	Hasta 10	20	68			R	L	R	N	R	R	R	L	
					40	104		L	L	N							
					50	122		N	N								
					60	140					R			R			
					30	20	68	R	L	R	N	R	R	R	R		
					50	122	L										
Persulfato de Amonio	Ammonium Persulphate	Persulfate d'Ammonium	(NH ₄) ₂ S ₂ O ₈	Sol. sat.	20	68	R				R	R	R	R	R		
					50	122	R				R	R	R	R	R		
					60	140					R	R	R				
Persulfato de Potasio	Potassium Persulfate	Persulfate de Potassium	K ₂ S ₂ O ₈	Sol. sat.	20	68		R	R	N	R	R	R	R	R		
					40	104		R	R	R	R	R			R		
					50	122		R	R	R	R	R			R		
Petróleo	Petroleum	Pétrole		80/20	20	68		N	R	R			N	N			
					40	104			R	R				N	N		
					60	140			L	R				N	N		
Petróleo Bruto	Crude Oil	Pétrole Brut		Tg-L	20	68		N	R	R				R	R		
					40	104		N	R	R				R	R		
					20	68		L	N	N	R	L	N	N			
Piridina	Pyridine	Pyridine	N(CH ₃) ₄ CH	Tg-L	20	68			R								
					60	140							L		N		
Piragallol	Pyrogallol	Pyrogallol	C ₆ H ₃ (OH) ₃	100	20	68			R								
Propano, Gas	Propane	Propane	C ₃ H ₈	Tg-G	20	68		N	R	R			R				
Propano, Líquido	Propane	Propane	C ₃ H ₈	Tg-L	20	68		N	R	R							
Propanol	Propanol	Propanol	C ₃ H ₇ OH	Tg-L	20	68		R	R	R					L		
					40	104		R	R	L					L		
					60	140				R	N				L		
Propileno Glicol	Propylene Glycol	Propylène Glycol	C ₃ H ₈ O ₂	<25	80	176									R		
					20	68	R	R	R	R					L		
					40	104	R	R	R	L					L		
Queroseno	Kerosene	Querosene		Sol. trab.	20	68										R	
					20	68							R	R	R	R	
					50	122							R	R	R	R	
Rábano	Radish	Radis		Sol. trab.	20	68							R	R	R		
Refresco de Jengibre (Ginger Ale)	Ginger Ale	Ginger Ale		Sol. trab.	20	68		R	R	R						R	
					20	68		R	R	L	R	R	R				
					40	104		R	R	L	R	R	R				
Reveladores (Fotográficos)	Photographic Developer	Revealers (Photographique)		Sol. trab.	20	68		R	R	R	R	R	R	R	R		
					40	104		R	R	L	R	R	R				
					60	140				R	R	R	R				
Sales de Bario	Barium Salts	Sels de Barium		Tg-L	20	68		R	R	R	R	R	R	R	R		
					40	104		R	R	R	R	R	R	R	R		
					60	140		R	R	R	R	R	R				
					80	176		R	R					R	R		
Sales de Cobre	Cooper Salts	Sels de Cuivre		Tg-L	20	68		R	R	R	R	R	R	R	R		
					40	104		R	R	R	R	R	R	R	R		
					60	140			R	L	R	R	R	R	R		
					80	176								R	R		
Sales de Hierro	Iron Salts	Sels de Fer		Sol.	20	68		R	R	R	R	R	R	R	R		
					40	104		R	R	R	R	R	R	R	R		
					60	140		R	R	R	R	R	R	R	R		
					80	176		R	R					R	R		

PRODUCTO	PRODUCT	PRODUIT	FORM.	CONC.	TEMP.		EVA	EPDM	FPM	NBR	HDPE	PP	PVC-U	PVC-C	ABS				
					°C	°F													
Silicato de Sodio	Sodium Silicate	Sodium Silicate	Na ₂ SiO ₃	Sol.	20	68			R	R	R	R	R	R	R	R			
					50	122			R	R	R	R	R	R	R	R	R	R	
					60	140	R	R	R	R	R	R	R	R	R	R	R	R	R
				Sol. sat.	20	68												R	R
					50	122												R	R
					80	176												R	R
Solución de Almidon	Starch Solution	Solution d'Amidon	(C ₆ H ₁₀ O ₅) _n	Sol.	20	68			R	R				R		R			
					40	104			R	R	R					R		R	
					60	140	R	R	R								R		R
Sulfato de Aluminio	Aluminium Sulfate	Sulfate d'Aluminium	Al ₂ (SO ₄) ₃	Sol. sat.	20	68	R	R	R	R	R	R	R	R	R	R			
					40	104	R	R	R	R	R	R	R	R	R	R	R	R	
					60	140	R	R	R	R	R	R	R	R	R	R	R	R	R
					80	176			R									R	
Sulfato de Aluminio-Potasio	Aluminium Potassium Sulfate	Sulfate d'Aluminium-Potassium	AlK(SO ₄) ₂ ·12H ₂ O	Sol. sat.	20	68	R	R	R	R	R	R	R	R	R	R			
					50	122	R	R	R	R	R	R	R	R	R	R	R	R	
					60	140	R	R	R	R	R	R	R	R	R	R	R	R	R
					80	176			R									R	
Sulfato de Amonio	Ammonium Sulphate	Sulfate d'Ammonium	(NH ₄) ₂ SO ₄	Sol. sat.	20	68	R	R	R	R	R	R	R	R	R	R			
					40	104	R	R	R	R	R	R	R	R	R	R	R	R	
					60	140	R	R	R	L	R	R	R	R	R	R	R	R	R
					80	176			R									R	
Sulfato de Bario	Barium Sulfate	Sulfate de Barium	BaSO ₄	Susp.	20	68			R	R	R	R	R	R	R	R			
					50	122			R	R	R	R	R	R	R	R	R	R	
					60	140			R	R	R	R	R	R	R	R	R	R	R
					93	200												R	
Sulfato de Berilio	Beryllium Sulfate	Sulfate de Beryllium	BeSO ₄	Susp.	20	68			R										
					40	104			R										
					60	140			R										
Sulfato de Calcio	Calcium Sulfate	Sulfate de Calcium	CaSO ₄	Susp.	20	68	R	R	R	R	R	R	R	R	R	R			
					40	104	R	R	R	R	R	R	R	R	R	R	R	R	
					50	122	R	R	R	R	R	R	R	R	R	R	R	R	R
					60	140	R	R	R	R	R	R	R	R	R	R	R	R	R
					93	200												R	
Sulfato de Cobre (II)	Copper Sulfate	Sulfate de Cuivre	CuSO ₄ ·5H ₂ O	Sol. sat.	20	68	R	R	R	R	R	R	R	R	R	R			
					50	122	R	R	R	R	R	R	R	R	R	R	R	R	
					60	140	R	R	R	R	R	R	R	R	R	R	R	R	R
					93	200												R	
Sulfato de Hidroxilamina	Hydroxylamine Sulphate	Sulfate de Hydroxylamine	(NH ₂ OH) ₂ SO ₄	Sol.	20	68	R	R	R			R	R	R	N				
					40	104			R	L									
Sulfato de Litio	Lithium Sulfate	Sulfate de Lithium	Li ₂ SO ₄	Sol.	20	68		R	R						R				
					50	122											R		
					93	200											R		
Sulfato de Magnesio	Magnesium Sulfate	Sulfate de Magnésium	MgSO ₄ ·7H ₂ O	Sol. sat.	20	68	R	R	R	R	R	R	R	R	R	R			
					50	122	R	R	R	R	R	R	R	R	R	R	R	R	
					60	140	R	R	R	R	R	R	R	R	R	R	R	R	R
					93	200			R	R	R							R	
Sulfato de Niquel	Nickel Sulfate	Nickel Sulfate	NiSO ₄	Sol. sat.	20	68	R	R	R	R	R	R	R	R	R	R			
					50	122	R	R	R	R	R	R	R	R	R	R	R	R	
					60	140	R	R	R	R	R	R	R	R	R	R	R	R	R
					93	200			R	R	R							R	
Sulfato de Potasio	Potassium Sulfate	Sulfate de Potassium	K ₂ SO ₄	Sol. sat.	20	68	R	R	R	R	R	R	R	R	R	R			
					40	104	R	R	R	R	R	R	R	R	R	R	R	R	
					50	122	R	R	R	R	R	R	R	R	R	R	R	R	R
					60	140			R	R	R	R	R	R	R	R	R	R	R
					80	176			R									R	
Sulfato de Sodio	Sodium Sulfate	Sulfate de Sodium	Na ₂ SO ₄	Sol. sat.	20	68	R	R	R	R	R	R	R	R	R	R			
					40	104	R	R	R	R	R	R	R	R	R	R	R	R	
					50	122	R	L	R	R	R	R	R	R	R	R	R	R	R
				0,1	60	140			R	R	R	R	R	R	R	R	R	R	R
					80	176			R									R	
Sulfato de Zinc	Zinc Sulfate	Sulfate de Zinc	ZnSO ₄ ·7H ₂ O	Sol. sat.	20	68	R	R	R	R	R	R	R	R	R	R			
					50	122	R	R	R	R	R	R	R	R	R	R	R	R	
					60	140	R	R	R	R	R	R	R	R	R	R	R	R	R
					80	176			R	R								R	
Sulfato Férrico	Ferric Sulfate	Sulfate de Fer (III)	Fe ₂ (SO ₄) ₃	Sol. sat.	20	68	L	R	R	R	R	R	R	R	R	R			
					40	104	L	R	R	R	R	R	R	R	R	R	R	R	
					50	122	L	R	R	R	R	R	R	R	R	R	R	R	R
					60	140			R	R	R	R	R	R	R	R	R	R	R
					80	176			R									R	
Sulfato Ferroso	Ferrous Sulfate	Sulfate de Fer	FeSO ₄	Sol. sat.	20	68			R	R	R	R	R	R	R	R			
					50	122			R	R	R	R	R	R	R	R	R	R	
					60	140			R	R	R	R	R	R	R	R	R	R	R
					93	200												R	
Sulfato Mercuroso	Mercurous Sulfate	Sulfate Mercureux	HgSO ₄	Sol.	20	68			R	R	R								
					40	104			R	R	R								
					60	140			R	R	R								
					80	176			R										
Sulfito de Potasio	Potassium Sulfit	Sulfite de Potassium	K ₂ SO ₃ ·2H ₂ O	Sol. sat.	20	68	R	R	R			R	R	R	R	R			
					50	122	R	R	R			R	R	R	R	R	R	R	
					60	140			R	R			R	R	R	R	R	R	R
					90	197												R	
Sulfito de Sodio	Sodium Sulfit	Sodium Sulfit	Na ₂ SO ₃	Sol. sat.	20	68	R	R	R			R	R	R	R	R			
					40	104	R	R	L	R	R	R	R	R	R	R	R	R	
					60	140	R	R	N	R	R	R	R	R	R	R	R	R	R
				40	90	194											R		
					20	68							R	R	R	R	R	R	R
Sulfonatos de Alcoholes Grasos	Fatty Alcohol Sulphonates	Sulfonates d'Alcool Gras		Tg-L	20	68			R	R	R								
					40	104			R	R	R								
					60	140			R	R	R								
					80	176			R	R	N							R	
Sulfuro	Sulfur	Sulfure	S	Sol.	20	68			R										
					40	104			R										
					60	140			R										
					80	176			R										
Sulfuro de Amonio	Ammonium Sulphide	Sulfure d'Ammonium	(NH ₄) ₂ S	Sol. sat.	20	68	R	R	R	R	R	R	R	R	L	R			
					40	104	R	L	R	R	R	R	R	R	L	R	R		
					50	122											R	L	R
					60	140	R	N	R	R	R	R	R	R	R	R	R	L	R

PRODUCTO	PRODUCT	PRODUIT	FORM.	CONC.	TEMP.		EVA	EPDM	FPM	NBR	HDPE	PP	PVC-U	PVC-C	ABS				
					°C	°F													
Sulfuro de Bario	Barium Sulfide	Sulfure de Barium	BaS	Sol. sat.	20	68		R	R	R	R	R	R	R	R	R			
					50	122		R	R	R	R	R	R	R	R	R	R		
					60	140		R	R	R	R	R	R	R	R	R	R	R	
					93	200													
Sulfuro de Calcio	Calcium Sulfide	Sulfure de Calcium	CaS	Sol. dil.	20	68		R	R	R	L	R	R	R	R				
					60	140		R	R	R	R	R	R	R	R	R			
					80	176													
					93	200													
Sulfuro de Hidrógeno, Acuoso	Hydrogen Sulfide	Sulfure d'Hydrogène	H ₂ S	Sol. sat.	20	68		R	R	N									
					40	104		N	R	N									
					60	140		R	R										
					80	176				L									
Sulfuro de Hidrógeno, Gas Seco	Hydrogen Sulfide, Gas Dry	Sulfure d'Hydrogène	H ₂ S	Tg-G	20	68		R	R	R	R	R	R	R	R	R			
					40	104		N	R	L	R	R	R	R	R	R	R		
					50	122													
					60	140				L	N	R	R	R	R	R	R	R	R
Sulfuro de Potasio	Potassium Sulfide	Sulfure de Potassium	K ₂ S	Sol. sat.	20	68		R			R	R	R	R	R	R			
					50	122		R			R	R	R	R	R	R	R		
					60	140		R			R	R	R	R	R	R	R		
					93	200													
Sulfuro de Sodio	Sodium Sulfide	Sulfure de Sodium	Na ₂ S	Sol. sat.	20	68		R	R	R	R	R	R	R	R	R			
					40	104		R	R	R	R	R	R	R	R	R			
					60	140		R	R	R	R	R	R	R	R	R	R		
					93	200													
Tetracloroetano	Tetrachloroethane	Tétrachloroethane	Cl ₂ CH-CHCl ₂	Tg-L	20	68	N	N	L	N									
Tetracloruro de Carbono	Carbon Tetrachloride	Tétrachlorure de Carbone	CCl ₄	Tg-L	20	68	N	R	N	L	N	N	N	N	N				
20	68																		
60	140																		
Tetraetilo de Plomo	Tetraethylene Lead	Plomb Tetraéthylène	(C ₂ H ₅) ₄ Pb	Tg-L	20	68		L	R	R									
Tetraetilplomo (Dec a 200°C)	Tetraethyle Lead	Plomb Tétréthyle	C ₈ H ₂₀ Pb	Tg-L	20	68								R	R				
Tetrahidrofurano	Tetrahydrofurane	Tetrahydrofuran	C ₄ H ₈ O	Tg-L	20	68	N	L	N	N		L	N	N	N				
50	122																		
60	140																		
Tetralina	Tetralin	Tetralin	C ₁₀ H ₁₂	Tg-L	20	68					L	N			N				
60	140																		
Tiocianato de Amonio	Ammonium Thiocyanate	Thiocyanate d'Ammonium	NH ₄ SCN	Sol. sat.	20	68	R				R	R	R	R	R				
50	122																		
60	140																		
93	200																		
Tiofeno	Tiophene	Tiophene	C ₄ H ₄ S	Tg-L	20	68						R	R	R	R				
60	140											L							
Tiosulfato de Potasio	Potassium Tiosulphate	Tiosulfate de Potassium	K ₂ S ₂ O ₃	Sol. sat.	20	68					R	R	R	R	R				
50	122																		
60	140											R	R	R	R				
Tiosulfato de Sodio (Hiposulfito)	Sodium Thiosulfate	Sodium Thiosulfate	Na ₂ S ₂ O ₃ ·5H ₂ O	Sol. sat.	20	68		R	R	R				R	R				
40	104								L					R	R				
50	122								N					R	R				
90	194													R	R				
Tolueno	Toluene	Toluène	CH ₃ C ₆ H ₅	Tg-L	20	68	N	N	R	N	L	L	N	N	N				
60	140											N	N						
Trementina	Turpentine	Turpentine		Tg-L	20	68							N		R				
Trietilo de Plomo	Triethylbenzene	Trichloro-Benzene	C ₆ H ₃ Cl ₃	Sol. Trab.	20	68								N	N				
Tricloroetileno	Trichloro-Ethylene	Trichloro-Ethylène	CHCl=CCl ₂	Tg-L	20	68	N	N	R	N	N	N	N	N	N				
20	68											R	R	N	R				
50	122														R				
60	140											L							
Trietanolamina	Triethanolamine	Triethanolamine	(HOCH ₂ CH ₂) ₃ N	Sol.	20	68									R				
50	122																		
60	140																		
Trietilamina	Triethylamine	Triéthylamine	N(CH ₂ -CH ₃) ₃	Tg-L	20	68		L	N	L					N				
Trietilenglicol	Triethylene Glycol	Triéthylène Glycol	C ₆ H ₁₄ O ₄	50	20	68								R	R				
Trifluoruro de Boro	Trifluorure de Bore	Trifluorure de Bore	BF ₃	Sol. sat.	20	68						R	R	R	R				
20	68																		
Trimetil-Propano	Trimethylpropane	Trimethyl-Propane	(CH ₂ OH) ₃ C ₃ H ₅	Hasta 10	40	104									R				
60	140																		
Trióxido de Azufre	Sulfur Trioxide	Trioxyde de Soufre	SO ₃	Tg-L	20	68				N	N	N							
60	140																		
Urea	Urea	Urée	CO(NH ₂) ₂	10	20	68		R	R	R	R	R	R	R	R				
50	122							R	R	R	R			R	R				
60	140							R	R	R	R			L	R				
80	176														R				
100	212														N				
Vaselina	Vaseline	Vaseline			20	68		N	R	R									
40	104								R	R									
60	140								R	R									
80	176								R	R									
Vinagre	Vinegar	Vinaigre		Sol. trab.	20	68		R	L	N	R	R	R	R	R				
60	140								N		R	R	R	R	R				
80	176														R				
Vino	Wine	Vin		Sol. trab.	20	68		R	R	R	R	R	R	R	R				
50	122													R	R				
60	140													R	R				
Vinos y Licores	Wine and Liquors	Vin et Boissons Alcoolisées		Sol. trab.	20	68		R	R	R	R	R	R	R	R				
50	122													R	R				
60	140													R	R				
Whisky	Whiskey	Whisky		Sol. trab.	20	68		R	R	R	R	R	R	R	R				
50	122													R	R				
60	140													R	R				
Xilenos	Xylene	Xylènes	C ₆ H ₄ (CH ₃) ₂	Tg-L	20	68	N	N	R	N	L	N	N	N	N				
40	104								L										
Zumo de Fruta	Fruit Juice	Jus de Fruit		Sol. trab.	20	68		R	R	R	R	R	R	R	R				
40	104								R	R	R	R	R	R	R				
60	140								R	R	R	R	R	R	R				
100	212								R	R	R	R	R	R	R				
Zumo de Manzana	Apple Juice	Jus de Pomme		Sol. trab.	20	68						R	R	R	R				
50	122													R	R				
60	140													R	R				
Zumo de Pomelo	Pomelo Juice	Jus de Pamplemousse		Sol. trab.	20	68						R	R	R	R				
50	122													R	R				

UNIT CONVERSION CHARTS

TABLA DE CONVERSIÓN DE UNIDADES

METRIC
↓
BRITISH & US STANDARDS

- **Length / Longitud**
m x 3,28 = ft
mm x 0,039 = in
- **Volume / Volumen**
m³ x 35,31 = ft³
l x 0,22 = UK Gall
l x 0,2642 = US Gall
- **Weight / Peso**
Kg x 2,2 = lb
- **Pressure / Presión**
bar x 15 = PSI
kPa (kN/m²) x 0,150 = PSI
kPa (kN/m²) x 0,01 = bar
kPa (kN/m²) x 0,33 = ft.hd.
kPa (kN/m²) x 4 = in.w.g.
- **Velocity / Flow rate**
Velocidad / Caudal
l/s x 13,2 = GPM
kg/s x 7937 = lbs/h
m³/s x 2119 = ft³/min
m³/h x 0,588 = ft³/min
m/s x 197 = ft/min
m/s x 3,28 = ft/s

BRITISH & US STANDARDS
↓
METRIC

- **Length / Longitud**
ft x 0,305 = m
in x 25,4 = mm
- **Volume / Volumen**
ft³ x 0,028 = m³
UK Gall x 4,546 = l
US Gall x 3,785 = l
- **Weight / Peso**
lb x 0,45 = kg
- **Pressure / Presión**
PSI x 0,069 = bar
PSI x 6,89 = kPa (kN/m²)
bar x 100 = kPa (kN/m²)
ft.hd. x 2,98 = kPa (kN/m²)
in.w.g. x 0,249 = kPa (kN/m²)
- **Velocity / Flow rate**
Velocidad / Caudal
GPM x 0,076 = l/s
lbs/h x 0,000126 = kg/s
ft³/min x 0,000472 = m³/s
ft³/min x 1,7 = m³/h
ft/min x 0,0051 = m/s
ft/s x 0,305 = m/s

TEMPERATURE
TEMPERATURA

$$(^{\circ}\text{C} \times 1,8) + 32 = ^{\circ}\text{F}$$

$$(^{\circ}\text{F} - 32) \times 0,555 = ^{\circ}\text{C}$$

Length Longitud

Milimetre (mm)	Metre (m)	Inch (in)	Foot (ft)	Yard (yd)
1	0,001	0,0394	0,0033	0,0011
1000	1	39,3701	3,2808	1,0936
25,4	0,0254	1	0,0833	0,0278
304,8	0,3048	12	1	0,3333
914,4	0,9144	36	3	1

Volume Volumen

Cubic metre (m ³)	Cubic centimetre (cm ³)	Litre (l)	Cubic inch (in ³)	Cubic foot (ft ³)	UK Gallon (UK gal)	US Gallon (US gal)
1	1000000	999,972	61023,3147	35,3147	219,969	264,172
0,000001	1	0,0009997	0,0610	0,0000353	0,0022	0,0026
0,001	1000,028	1	61,0255	0,0353	0,22	0,2642
0,000016	16,3871	0,0164	1	0,00058	0,0036	0,0043
0,0283	28316,8	28,3161	1728	1	6,2288	7,4805
0,0045	4546,09	4,546	277,419	0,4605	1	1,201
0,0038	3785,41	3,7853	231	0,1337	0,8327	1

Volumetric rate of flow

Ritmo volumétrico de caudal

Litre x second (l/s)	Litre x minute (l/m)	Cubic metre x hour (m ³ /h)	Cubic foot x hour (ft ³ /h)	Cubic foot x minute (ft ³ /m)	UK gallon x minute (UK gal/m)	US gallon x minute (US gal/m)	US barrel x day (US barrel/D)
1	60	3,6001	127,136	2,1189	13,1986	15,8508	543,456
0,0167	1	0,0600	2,1189	0,3532	0,22	0,2642	9,0576
0,2778	16,6666	1	35,3147	0,5886	3,6662	4,4029	150,956
0,0079	0,4719	0,0283	1	0,1067	0,1038	0,1247	4,2746
0,4719	28,316	1,6990	60	1	6,2288	7,4805	256,475
0,0758	4,546	0,2728	9,6326	0,1605	1	1,201	41,1754
0,0631	3,7853	0,2271	8,0208	0,1337	0,8327	1	4,2857
0,0018	0,1104	0,0066	0,2339	0,0039	0,0243	0,0292	1

PRESENTATION GENERAL SCHEME ESQUEMA GENERAL DE PRESENTACIÓN

ENGLISH DESCRIPTION

DESCRIPCIÓN EN ESPAÑOL

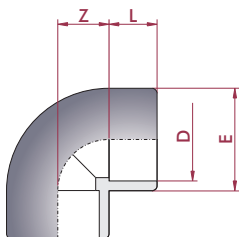
UP. 01. SF

- 90° elbow
 • Female solvent socket
 • Metric series

- Codo 90°
 • Encolar hembra
 • Serie métrica



photograph
fotografía



drawing
dibujo

D	DN	PN	REF	CODE
16	10	16	05 01 016	11655
20	15	16	05 01 020	01712
25	20	16	05 01 025	01713
32	25	16	05 01 032	01714
40	32	16	05 01 040	01715
50	40	16	05 01 050	01716
63	50	16	05 01 063	01717
75	65	16	05 01 075	01718
90	80	16	05 01 090	01719
110	100	16	05 01 110	01720
125	110	16	05 01 125	01721
140	125	16	05 01 140	01722
160	150	10	05 01 160	01723
200	175	10	05 01 200	01724
225	200	10	05 01 225	01725
250	225	10	05 01 250	01726
315	300	10	05 01 315	01727
400	353	5	05 01 400 *	34807

L	Z	E
14	10	25
16	11	27
19	14	33
22	17	41
26	21	50
31	26	61
38	33	76
44	39	90
51	46	108
61	56	131
69	64	148
76	71	164
86	81	180
106	101	225
119	114	252
131	126	284
164	159	352
206	202	439

diameter / thread
diámetro / rosca

nominal diameter
diámetro nominal

nominal pressure
presión nominal

reference
referencia

commercial code
código comercial

dimensions
medidas

Ball valves Válvulas de bola

	HDPE - seats EPDM - o-rings
	PTFE - seats EPDM - o-rings
	PTFE - seats FPM - o-rings

Rest of the valves Otras válvulas

	EPDM - o-rings
	FPM - o-rings
	NBR - o-rings

CODE LEGEND

LEYENDA DE CÓDIGOS

UP. 73. SF6

MATERIAL MATERIALES	FIGURE FIGURA	CONNECTIONS CONEXIONES	O-RINGS JUNTAS
UP PVC-U	01 90° elbows <i>codos 90°</i>	F female <i>hembra</i>	1 EPDM
CP Corzan® PVC-C	02 45° elbows <i>codos 45°</i>	M male <i>macho</i>	2 PE
PP Polypropylene <i>Polipropileno</i>	03 90° tees <i>tés 90°</i>	S solvent <i>encolar</i>	3 PTFE
PP-H Polypropylene (homopolymer) <i>Polipropileno (homopolímero)</i>	05 coupling <i>manguito</i>	T threaded <i>roscar</i>	4 FPM
PE Polyethylene100 <i>Polietileno100</i>	73 "Industrial" ball valve <i>válvulas de bola "Industrial"</i>	R reinforcement <i>refuerzo</i>	5 PE - EPDM
	84 "Industrial" butterfly valves <i>válvulas de mariposa "Industrial"</i>	G reducing <i>reducción</i>	6 PTFE - EPDM
	(...)	SPI spigot connection <i>conexión espiga</i>	7 PTFE - FPM
		FLG flanged connection <i>conexión con bridas</i>	
		CP compression <i>compresión</i>	
		EF electrofusion <i>electrofusión</i>	
		(...)	

**PVC-U
PRESSURE
FITTINGS**

METRIC SERIES

ELBOWS AND BENDS <i>CODOS Y CURVAS</i>	01	PAG. 68
TEES AND CROSSES <i>TÉS Y CRUCES</i>	02	PAG. 72
SOCKETS AND REDUCERS <i>MANGUITOS Y REDUCCIONES</i>	03	PAG. 75
CAPS <i>TAPONES</i>	04	PAG. 78
NIPPLES <i>MACHONES</i>	05	PAG. 79
RUBBER-RING JOINT FITTINGS <i>ACCESORIOS JUNTA ELÁSTICA</i>	06	PAG. 83
GROOVED COUPLING <i>ENLACE BRIDA RANURADA</i>	07	PAG. 87
FLANGES AND BOLTS <i>BRIDAS Y TORNILLERÍA</i>	08	PAG. 88
UNIONS <i>ENLACES 3 PIEZAS</i>	09	PAG. 94
SPIGOTS <i>ENLACES ESPIGA</i>	10	PAG. 99
MANIFOLDS FOR ELECTRIC VALVES <i>COLECTORES PARA ELECTROVÁLVULAS</i>	11	PAG. 100
SIGHT GLASSES <i>VISORES DE LÍQUIDOS</i>	12	PAG. 103
FLOWMETERS <i>CAUDALÍMETROS</i>	13	PAG. 104
SOLVENT CEMENT / CLEANER <i>ADHESIVOS / DISOLVENTES</i>	14	PAG. 107

FEATURES

- PVC-U fittings for the PVC pipe union.
- Material: PVC-U.
- Injection moulding.
- Density: 1,4 g/cm³.
- Color: grey RAL 7024.
- Dimensions: socket fittings D16 to D400 and threaded fittings from ¼" to 4".
- Dimensions:
 - Socket fittings according to EN 1452-3.
 - Threaded fittings according to ISO 7/1.
- For tubes according to EN 1452-2.
- Socket fittings: we recommend solvent cement for PVC-U.
- Threaded fittings: in order to guarantee the watertightness, PTFE thread-wrap tape must be used. In PVC-U metal unions, use PVC-U as the male.

CARACTERÍSTICAS

- Accesorios en PVC-U para unión de tuberías de PVC.
- Moldeo por inyección.
- Densidad: 1,4 g/cm³.
- Color: gris RAL 7024.
- Dimensiones: accesorios encolar de D16 hasta D400 y accesorios roscar de ¼" a 4".
- Dimensiones:
 - Accesorios encolar según la norma EN 1452-3.
 - Accesorios roscados según la norma ISO 7/1.
- Para tubos según norma EN 1452-2.
- Accesorios encolar: recomendamos el uso de cola para PVC-U.
- Accesorios roscados: para garantizar la estanqueidad sólo es admisible el uso de cinta de PTFE. En uniones PVC-U-metal, el macho debe ser el PVC-U.

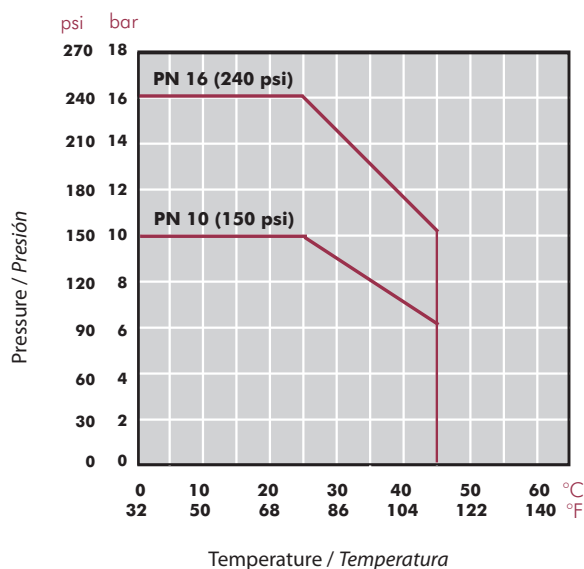


FIG.	Details	Detalles
1	Logo, material, dimensions, PN	Logo, material, dimensiones, PN
2	European standard, N (Aenor), Kiwa o NF (Afnor)	Norma europea, N (Aenor), Kiwa o NF (Afnor)
3	Marked at 45°	Marcaje a 45°

TECHNICAL CHARACTERISTICS
CARACTERÍSTICAS TÉCNICAS

Unions Uniones	Sizes Medidas	Working pressure at 20°C Presión de servicio a 20°C
Solvent socket / Encolar	D16 - D140	PN 16 (240 psi)
Solvent socket / Encolar	D160 - D315	PN10 (150 psi)
Threaded / Roscar	½" - 4"	PN 10 (150 psi)
Threaded reinforced / Roscar reforzado	½" - 4"	PN 16 (240 psi)

PRESSURE / TEMPERATURE GRAPH
DIAGRAMA PRESIÓN / TEMPERATURA



Life: 50 years
Hydrostatic maximum pressure a component may withstand in continuous service (without overpressure)

Vida útil: 50 años
Presión hidrostática máxima que un componente es capaz de soportar en servicio continuo (sin sobrepresión)

TOLERANCE CHART
TABLA TOLERANCIAS

D	DN	Minimum diameter Diámetro mínimo	Maximum diameter Diámetro máximo
16	10	16.1	16.3
20	15	20.1	20.3
25	20	25.1	25.3
32	25	32.1	32.3
40	32	40.1	40.3
50	40	50.1	50.3
63	50	63.1	63.3
75	65	75.1	75.3
90	80	90.1	90.3
110	100	110.1	110.4
125	110	125.1	125.4
140	125	140.2	140.5
160	150	160.2	160.5
200	175	200.2	200.6
225	200	225.3	225.7
250	225	250.3	250.8
315	300	315.4	316.0

PVC-U ELBOWS CODOS PVC-U

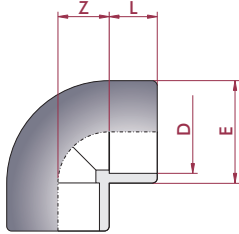
UP. 01. SF - 90° ELBOW

90° elbow

- Female solvent socket
- Metric series

Codo 90°

- Encolar hembra
- Serie métrica



D	DN	PN	REF.	CODE
16	10	16	05 01 016 ³	11655
20	15	16	05 01 020 ²³	01712
25	20	16	05 01 025 ¹²³	01713
32	25	16	05 01 032 ²³	01714
40	32	16	05 01 040 ²³	01715
50	40	16	05 01 050 ²³	01716
63	50	16	05 01 063 ²³	01717
75	65	16	05 01 075 ²³	01718
90	80	16	05 01 090 ²³	01719
110	100	16	05 01 110 ³	01720
125	110	16	05 01 125 ³	01721
140	125	16	05 01 140 ³	01722
160	150	10	05 01 160 ³	01723
200	175	10	05 01 200 ³	01724
225	200	10	05 01 225 ³	01725
250	225	10	05 01 250	01726
315	300	10	05 01 315 [*]	01727
400	353	5	05 01 400 [*]	34807

L	Z	E
14	10	25
16	11	27
19	14	33
22	17	41
26	21	50
31	26	61
38	33	76
44	39	90
51	46	108
61	56	131
69	64	148
76	71	164
86	81	180
106	101	225
119	114	252
131	126	284
164	159	352
206	202	439

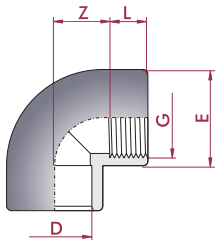
UP. 01. SFT - 90° ELBOW

90° adaptor elbow

- Female solvent socket & BSP female thread
- Metric series

Codo 90° mixto

- Encolar hembra y roscar hembra BSP
- Serie métrica



D x G	DN	PN	REF.	CODE
20 x 1/2"	15	10	05 01 420	01728
25 x 3/4"	20	10	05 01 425	01729
32 x 1"	25	10	05 01 432	01730
40 x 1 1/4"	32	10	05 01 440	01731
50 x 1 1/2"	40	10	05 01 450	01732
63 x 2"	50	10	05 01 463	01733
75 x 2 1/2"	65	10	05 01 475 [*]	22596
90 x 3"	80	10	05 01 490 [*]	22597
110 x 4"	100	10	05 01 510 [*]	22598

L	Z	E
14	11	28
16	14	34
19	17	43
20	21	54
20	26	63
24	33	78
44	40	89
51	48	106
61	58	129

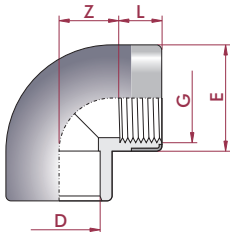
UP. 01. SFTR - 90° REINFORCED ELBOW

90° adaptor reinforced elbow

- Female solvent socket & BSP female thread
- Reinforcement in stainless steel
- Metric series

Codo 90° mixto reforzado

- Encolar hembra y roscar hembra BSP
- Refuerzo en acero inoxidable
- Serie métrica



D x G	DN	PN	REF.	CODE
20 x 1/2"	15	16	05 01 820	01740
25 x 3/4"	20	16	05 01 825	01741
32 x 1"	25	16	05 01 832	01742
40 x 1 1/4"	32	16	05 01 840	01743
50 x 1 1/2"	40	16	05 01 850	01744
63 x 2"	50	16	05 01 863	01745

L	Z	E
14	11	28
16	14	34
19	17	43
20	21	54
20	26	63
24	33	78

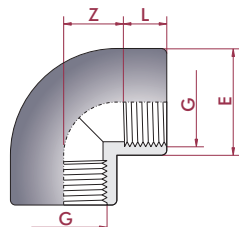
UP. 01. FT - 90° ELBOW

90° elbow

- BSP female thread

Codo 90°

- Roscar hembra BSP



G	DN	PN	REF.	CODE
1/2"	15	10	05 01 620	01734
3/4"	20	10	05 01 625	01735
1"	25	10	05 01 632	01736
1 1/4"	32	10	05 01 640	01737
1 1/2"	40	10	05 01 650	01738
2"	50	10	05 01 663	01739
2 1/2"	65	10	05 01 675 [*]	22587
3"	80	10	05 01 690 [*]	22588
4"	100	10	05 01 710 [*]	22589

L	Z	E
14	11	28
16	14	34
19	17	43
20	21	54
20	26	63
24	33	78
30	54	89
33	66	106
39	80	129

* Distributed product
* Producto comercializado

¹ AFNOR
² KIWA
³ AENOR

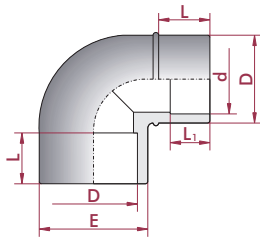
UP. 29. SFG - 90° REDUCING ELBOW

90° reducing elbow

- Female solvent socket
- Metric series

Codo 90° reducido

- Encolar hembra
- Serie métrica



D x D - d	DN	PN	REF.	CODE
50 x 50 - 40	32	16	05 29 050	02237
63 x 63 - 50	40	16	05 29 063	02238

L	L ₁	E
31	26	61
38	31	76

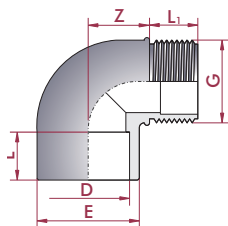
UP. 29. SMT - 90° ELBOW

90° elbow

- Female solvent socket & BSP male thread
- Metric series

Codo 90°

- Encolar hembra y roscar macho BSP
- Serie métrica



D x G	DN	PN	REF.	CODE
50 x 1 1/2"	40	10	05 02 450	02239
63 x 2"	50	10	05 29 463	02240

L ₁	L	E	Z
21	31	61	38
25	38	76	47

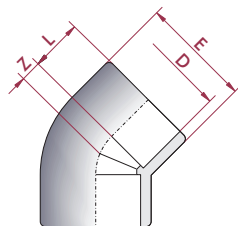
UP. 02. SF - 45° ELBOW

45° elbow

- Female solvent socket
- Metric series

Codo 45°

- Encolar hembra
- Serie métrica



D	DN	PN	REF.	CODE
16	10	16	05 02 016 ³	16307
20	15	16	05 02 020 ¹²³	01746
25	20	16	05 02 025 ¹²³	01747
32	25	16	05 02 032 ¹²³	01748
40	32	16	05 02 040 ¹²³	01749
50	40	16	05 02 050 ²³	01750
63	50	16	05 02 063 ²³	01751
75	65	16	05 02 075 ²³	01752
90	80	16	05 02 090 ²³	01753
110	100	16	05 02 110 ³	01754
125	110	16	05 02 125 ³	01755
140	125	16	05 02 140 ³	01756
160	150	10	05 02 160 ³	01757
200	175	10	05 02 200 ³	01758
225	200	10	05 02 225 ³	01759
250	225	10	05 02 250 ³	01760
315	300	10	05 02 315 [*]	01761
400	353	5	05 02 400 [*]	34808

L	Z	E
14	5	22
16	5	28
19	6	35
22	8	43
26	10	52
31	12	58
38	14	76
44	17	93
51	20	109
61	24	133
69	27	148
76	30	164
86	34	180
106	43	225
119	48	252
131	53	284
164	67	352
206	83	439

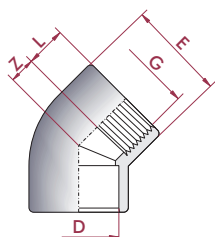
UP. 02. SFT - 45° ELBOW

45° adaptor elbow

- Female solvent socket & BSP female thread
- Metric series

Codo 45° mixto

- Encolar hembra y roscar hembra BSP
- Serie métrica



D x G	DN	PN	REF.	CODE
20 x 1/2"	15	10	05 02 420	01762
25 x 3/4"	20	10	05 02 425	01763
32 x 1"	25	10	05 02 432	01764
40 x 1 1/4"	32	10	05 02 440	01765
50 x 1 1/2"	40	10	05 02 450	01766
63 x 2"	50	10	05 02 463	01767
75 x 2 1/2"	65	10	05 02 475 [*]	22599
90 x 3"	80	10	05 02 490 [*]	22600
110 x 4"	100	10	05 02 510 [*]	22601

L	Z	E
14	5	28
16	6	34
19	8	43
20	10	54
20	12	63
24	14	78
44	18	89
51	21	106
61	25	128

* Distributed product
* Producto comercializado

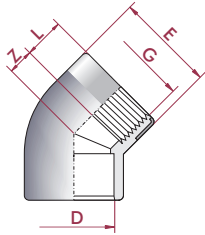
¹ AFNOR
² KIWA
³ AENOR

UP. 02. SFTR - 45° REINFORCED ELBOW
45° adaptor reinforced elbow

- Female solvent socket & BSP female thread
- Reinforcement in stainless steel
- Metric series

Codo 45° mixto reforzado

- Encolar hembra y roscar hembra BSP
- Refuerzo en acero inoxidable
- Serie métrica



D x G	DN	PN	REF.	CODE
20 x 1/2"	15	16	05 02 820	01774
25 x 3/4"	20	16	05 02 825	01775
32 x 1"	25	16	05 02 832	01776
40 x 1 1/4"	32	16	05 02 840	01777
50 x 1 1/2"	40	16	05 02 850	01778
63 x 2"	50	16	05 02 863	01779

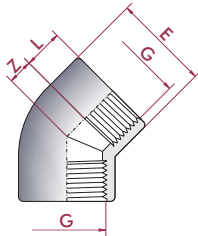
L	Z	E
14	5	28
16	6	34
19	8	43
20	10	54
20	12	63
24	14	78

UP. 02. FT - 45° ELBOW
45° elbow

- BSP female thread

Codo 45°

- Roscar hembra BSP



G	DN	PN	REF.	CODE
1/2"	15	10	05 02 620	01768
3/4"	20	10	05 02 625	01769
1"	25	10	05 02 632	01770
1 1/4"	32	10	05 02 640	01771
1 1/2"	40	10	05 02 650	01772
2"	50	10	05 02 663	01773
2 1/2"	65	10	05 02 675 *	22590
3"	80	10	05 02 690 *	22591
4"	100	10	05 02 710 *	22592

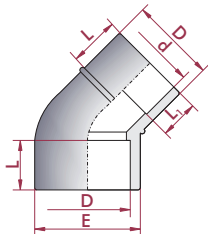
L	Z	E
14	5	28
16	6	34
19	8	43
20	10	54
20	12	63
24	14	78
30	32	89
34	39	106
40	47	129

UP. 30. SFG - 45° REDUCING ELBOW
45° reducing elbow

- Female and male solvent socket
- Metric series

Codo 45° reducido

- Encolar hembra y macho
- Serie métrica



D x D - d	DN	PN	REF.	CODE
50 x 50 - 40	32	16	05 30 050	02241
63 x 63 - 50	40	16	05 30 063	02242

L	L ₁	E
31	26	61
38	31	76

* Distributed product

* Producto comercializado

PVC-U BEND
CURVAS PVC-U

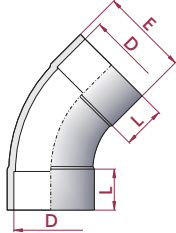
UP. 35. SF - 45° BEND

45° bend

- Female solvent socket
- Metric series

Curva 45°

- Encolar hembra
- Serie métrica



D	DN	PN	REF.	CODE
315	300	4	05 35 315 *	05348
400	353	4	05 35 400 *	05349

L	E
165	348
206	432

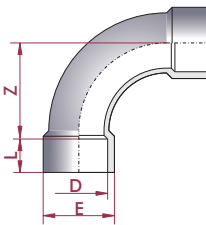
UP. 08. SF - 90° BEND

90° bend

- Female solvent socket
- Metric series

Curva 90°

- Encolar hembra
- Serie métrica



D	DN	PN	REF.	CODE
20	15	16	05 08 020 ³	01967
25	20	16	05 08 025 ³	01968
32	25	16	05 08 032 ³	01969
40	32	16	05 08 040 ³	01970
50	40	16	05 08 050 ³	01971
63	50	16	05 08 063 ³	01972
75	65	16	05 08 075 ³	01973
90	80	16	05 08 090 ³	05331
110	100	16	05 08 110 *	05332
125	110	10	05 08 125 *	05333
140	125	10	05 08 140 *	05334
160	150	10	05 08 160 *	05335
200	175	4	05 08 200 *	05336
225	200	4	05 08 225 *	05337
250	225	4	05 08 250 *	05338
315	300	4	05 08 315 *	05339
400	353	4	05 08 400 *	05340

L	Z	E
16	40	27
19	50	33
22	64	41
26	80	50
31	100	61
38	126	76
44	150	90
51	180	113
61	220	132
69	186	150
76	166	164
86	194	186
106	284	223
119	296	251
131	334	275
165	520	348
206	614	432

* Distributed product
* Producto comercializado

³ AENOR

PVC-U TEES

TÉS PVC-U

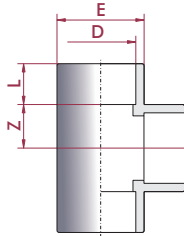
UP. 03. SF - 90° TEE

90° tee

- Female solvent socket
- Metric series

Té 90°

- Encolar hembra
- Serie métrica



D	DN	PN	REF.	CODE
16	10	16	05 03 016 ³	16308
20	15	16	05 03 020 ¹²³	01780
25	20	16	05 03 025 ¹²³	01781
32	25	16	05 03 032 ¹²³	01782
40	32	16	05 03 040 ²³	01783
50	40	16	05 03 050 ¹²³	01784
63	50	16	05 03 063 ²³	01785
75	65	16	05 03 075 ²³	01786
90	80	16	05 03 090 ²³	01787
110	100	16	05 03 110 ³	01788
125	110	16	05 03 125 ³	01789
140	125	16	05 03 140 ³	01790
160	150	10	05 03 160 ³	01791
200	175	10	05 03 200 ³	01792
225	200	10	05 03 225 ³	01793
250	225	10	05 03 250 ³	01794
315	300	10	05 03 315 [*]	01795
400	325	4	05 03 400 [*]	05328

L	Z	E
14	9	22
16	11	27
19	14	33
22	17	41
26	21	50
31	26	63
38	33	78
44	39	90
51	46	108
61	56	131
69	64	148
76	71	164
86	81	186
106	101	228
119	114	255
131	126	284
164	159	356
206	280	432

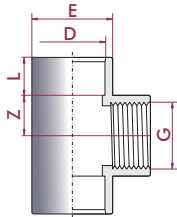
UP. 03. SFT - 90° TEE

90° adaptor tee

- Female solvent socket & BSP female thread
- Metric series

Té 90° mixta

- Encolar hembra y roscar hembra BSP
- Serie métrica



D x G	DN	PN	REF.	CODE
20 x 1/2"	15	10	05 03 420	01796
25 x 3/4"	20	10	05 03 425	01797
32 x 1"	25	10	05 03 432	01798
40 x 1 1/4"	32	10	05 03 440	01799
50 x 1 1/2"	40	10	05 03 450	01800
63 x 2"	50	10	05 03 463	01801
75 x 2 1/2"	65	10	05 03 475 [*]	22602
90 x 3"	80	10	05 03 490 [*]	22603
110 x 4"	100	10	05 03 510 [*]	22604

L	Z	E
14	11	28
16	14	34
19	17	43
20	21	54
20	26	63
24	33	78
44	39	89
51	47	106
61	57	129

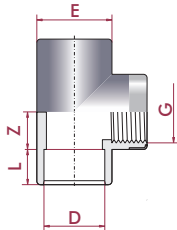
UP. 03. SFTR - 90° REINFORCED TEE

90° adaptor reinforced tee

- Female solvent socket & BSP female thread
- Reinforcement in stainless steel
- Metric series

Té 90° mixta reforzada

- Encolar hembra y roscar hembra BSP
- Refuerzo en acero inoxidable
- Serie métrica



D x G	DN	PN	REF.	CODE
20 x 1/2"	15	16	05 03 820	01808
25 x 3/4"	20	16	05 03 825	01809
32 x 1"	25	16	05 03 832	01810
40 x 1 1/4"	32	16	05 03 840	01811
50 x 1 1/2"	40	16	05 03 850	01812
63 x 2"	50	16	05 03 863	01813

L	Z	E
14	11	28
16	14	34
19	17	43
20	21	54
20	26	63
24	33	78

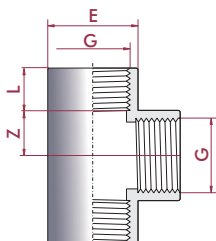
UP. 03. FT - 90° TEE

90° tee

- BSP female thread

Té 90°

- Roscar hembra BSP



G	DN	PN	REF.	CODE
1/2"	15	10	05 03 620	01802
3/4"	20	10	05 03 625	01803
1"	25	10	05 03 632	01804
1 1/4"	32	10	05 03 640	01805
1 1/2"	40	10	05 03 650	01806
2"	50	10	05 03 663	01807
2 1/2"	65	10	05 03 675 [*]	22593
3"	80	10	05 03 690 [*]	22594
4"	100	10	05 03 710 [*]	22595

L	Z	E
14	11	28
16	14	34
19	17	43
20	21	54
20	26	63
24	33	78
30	53	89
34	65	106
40	79	129

* Distributed product
* Producto comercializado

¹ AFNOR
² KIWA
³ AENOR

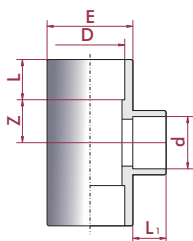
UP. 04. SFG - 90° REDUCING TEE

90° reducing tee

- Female solvent socket
- Metric series

Té 90° reducida

- Encolar hembra
- Serie métrica



D x d	DN	PN	REF.	CODE
25 x 20	20 - 15	16	05 04 025	01814
32 x 25	25 - 20	16	05 04 032	01815
32 x 20	25 - 15	16	05 04 033	01816
40 x 32	32 - 25	16	05 04 040	01817
40 x 25	32 - 20	16	05 04 041	01818
40 x 20	32 - 15	16	05 04 042	01819
50 x 40	40 - 32	16	05 04 050	01820
50 x 32	40 - 25	16	05 04 051	01821
50 x 25	40 - 20	16	05 04 052	01822
50 x 20	40 - 15	16	05 04 053	01823
63 x 50	50 - 40	16	05 04 063	01824
63 x 40	50 - 32	16	05 04 064	01825
63 x 32	50 - 25	16	05 04 065	01826
63 x 25	50 - 20	16	05 04 066	01827
63 x 20	50 - 15	16	05 04 067	01828
75 x 63	65 - 50	16	05 04 075	01829
75 x 50	65 - 40	16	05 04 076	01830
75 x 40	65 - 32	16	05 04 077	01831
75 x 32	65 - 25	16	05 04 078	01832
90 x 75	80 - 65	16	05 04 090	01833
90 x 63	80 - 50	16	05 04 091	01834
90 x 50	80 - 40	16	05 04 092	01835
90 x 40	80 - 32	16	05 04 093	01836
110 x 90	100 - 80	16	05 04 110	01837
110 x 75	100 - 65	16	05 04 111	01838
110 x 63	100 - 50	16	05 04 112	01839
110 x 50	100 - 40	16	05 04 113	01840
125 x 110	110 - 100	16	05 04 125	01841
125 x 90	110 - 80	16	05 04 126	01842
125 x 75	110 - 65	16	05 04 127	01843
125 x 63	110 - 50	16	05 04 128	01844
140 x 125	125 - 110	16	05 04 140	01845
140 x 110	125 - 100	16	05 04 141	01846
140 x 90	125 - 80	16	05 04 142	01847
140 x 75	125 - 65	16	05 04 143	01848
160 x 140	150 - 125	10	05 04 160	07688
160 x 125	150 - 110	10	05 04 161	07689
160 x 110	150 - 100	10	05 04 162	07690
160 x 90	150 - 80	10	05 04 163	07691

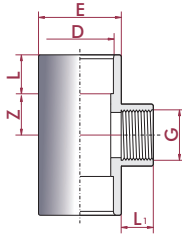
L	L ₁	Z	E
19	16	14	33
22	19	17	41
22	16	17	41
26	22	21	50
26	19	21	50
26	16	21	50
31	26	26	61
31	22	26	61
31	19	26	61
31	16	26	61
38	31	33	76
38	26	33	76
38	22	33	76
38	19	33	76
38	16	33	76
44	38	39	90
44	31	39	90
44	26	39	90
44	22	39	90
51	44	46	108
51	38	46	108
51	31	46	108
51	26	46	108
61	51	56	131
61	44	56	131
61	38	56	131
61	31	56	131
69	61	64	149
69	51	64	149
69	44	64	149
69	38	64	149
76	69	71	162
76	61	71	162
76	51	71	162
76	44	71	162
86	76	81	186
86	69	81	186
86	61	81	186
86	41	81	187

UP. 04. SFTG - 90° REDUCING TEE
90° reducing tee

- Female solvent socket & BSP female thread
- Metric series

Té 90° reducida

- Encolar hembra y roscar hembra BSP
- Serie métrica



D x G	DN	PN	REF.	CODE
25 x 1/2"	20 - 15	10	05 04 425	01849
32 x 3/4"	25 - 20	10	05 04 432	01850
32 x 1/2"	25 - 15	10	05 04 433	01851
40 x 1"	32 - 25	10	05 04 440	01852
40 x 3/4"	32 - 20	10	05 04 441	01853
40 x 1/2"	32 - 15	10	05 04 442	01854
50 x 1 1/4"	40 - 32	10	05 04 450	01855
50 x 1"	40 - 25	10	05 04 451	01856
50 x 3/4"	40 - 20	10	05 04 452	01857
50 x 1/2"	40 - 15	10	05 04 453	01858
63 x 1 1/2"	50 - 40	10	05 04 463	01859
63 x 1 1/4"	50 - 32	10	05 04 464	01860
63 x 1"	50 - 25	10	05 04 465	01861
63 x 3/4"	50 - 20	10	05 04 466	01862
63 x 1/2"	50 - 15	10	05 04 467	01863
75 x 2"	65 - 50	10	05 04 475	01864
75 x 1 1/2"	65 - 40	10	05 04 476	01865
75 x 1 1/4"	65 - 32	10	05 04 477	01866
75 x 1"	65 - 25	10	05 04 478	01867
90 x 2 1/2"	80 - 65	10	05 04 490	01868
90 x 2"	80 - 50	10	05 04 491	01869
90 x 1 1/2"	80 - 40	10	05 04 492	01870
90 x 1 1/4"	80 - 32	10	05 04 493	01871

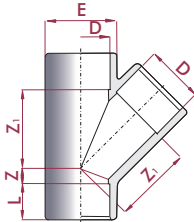
L	L ₁	Z	E
19	14	14	33
22	16	17	41
22	14	17	41
26	19	21	50
26	16	21	50
26	14	21	50
31	20	26	61
31	19	26	61
31	16	26	61
31	14	26	61
38	20	33	76
38	20	33	76
38	19	33	76
38	16	33	76
38	14	33	76
44	24	39	90
44	20	39	90
44	20	39	90
44	19	39	90
51	44	46	108
51	24	46	108
51	20	46	108
51	20	46	108

UP. 36. SF - 45° TEE
45° tee

- Female solvent socket
- Metric series

Té 45°

- Encolar hembra
- Serie métrica



D	DN	PN	REF.	CODE
20	15	16	05 36 020 *	22583
25	20	16	05 36 025 *	22584
32	25	16	05 36 032 *	22585
40	32	16	05 36 040	22586
50	40	10	05 36 050 ³	20155
63	50	10	05 36 063 ³	20156
75	65	10	05 36 075 *	32804
90	80	10	05 36 090 *	32805
110	100	10	05 36 110 *	32806

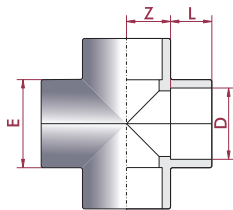
L	Z	Z ₁	E
16	7	29	28
19	7	36	34
22	8	44	42
26	10	54	51
31	13	67	61
38	15	83	76
44	18	101	91
51	20	122	106
61	27	149	133

**PVC-U CROSSES
CRUCES PVC-U**
UP. 28. SF - CROSS
Cross

- Female solvent socket
- Metric series

Cruz

- Encolar hembra
- Serie métrica



D	DN	PN	REF.	CODE
20	15	16	05 28 020	20143
25	20	16	05 28 025	20144
32	25	16	05 28 032	20145
40	32	16	05 28 040	20146
50	40	16	05 28 050	02235
63	50	16	05 28 063	02236
75	65	16	05 28 075 *	27958
90	80	16	05 28 090 *	22581
110	100	16	05 28 110 *	22582

L	Z	E
16	11	29
19	14	35
22	17	43
26	21	52
31	26	63
38	33	79
42	39	92
51	46	106
61	56	130

* Distributed product
* Producto comercializado

³ AENOR

PVC-U SOCKETS MANGUITOS UNIÓN PVC-U

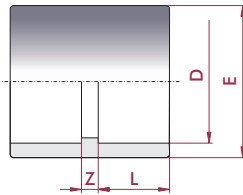
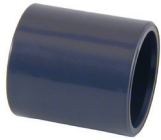
UP. 05. SF - SOCKET

Socket

- Female solvent socket
- Metric series

Manguito unión

- Encolar hembra
- Serie métrica



D	DN	PN	REF.	CODE
16	10	16	05 05 016 ³	16309
20	15	16	05 05 020 ¹²³	01872
25	20	16	05 05 025 ¹²³	01873
32	25	16	05 05 032 ¹²³	01874
40	32	16	05 05 040 ¹²³	01875
50	40	16	05 05 050 ¹²³	01876
63	50	16	05 05 063 ¹²³	01877
75	65	16	05 05 075 ¹²³	01878
90	80	16	05 05 090 ¹²³	01879
110	100	16	05 05 110 ¹³	01880
125	110	16	05 05 125 ¹³	01881
140	125	16	05 05 140 ¹³	01882
160	150	10	05 05 160 ¹³	01883
200	175	10	05 05 200 ³	01884
225	200	10	05 05 225 ³	01885
250	225	10	05 05 250 ³	01886
315	300	10	05 05 315 ³	01887
400	375	6	05 05 400*	05329

L	Z	E
14	3	22
16	3	27
19	3	33
22	3	41
26	3	50
31	3	61
38	3	75
44	4	90
51	5	108
61	6	129
69	7	148
76	9	164
86	9	180
106	10	225
119	10	252
131	12	280
164	12	352
206	12	432

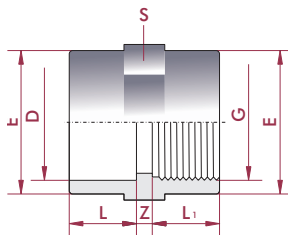
UP. 05. SFT - SOCKET

Adaptor socket

- Female solvent socket & BSP female thread
- Metric series

Manguito unión mixto

- Encolar hembra y roscar hembra BSP
- Serie métrica



D x G	DN	PN	REF.	CODE
16 x 3/8"	12	10	05 05 416	01888
20 x 1/2"	15	10	05 05 420	01889
25 x 3/4"	20	10	05 05 425	01890
32 x 1"	25	10	05 05 432	01891
40 x 1 1/4"	32	10	05 05 440	01892
50 x 1 1/2"	40	10	05 05 450	01893
63 x 2"	50	10	05 05 463	01894
75 x 2 1/2"	65	10	05 05 475	01895
90 x 3"	80	10	05 05 490	01896
110 x 4"	90	10	05 05 510	01897

L	L ₁	Z	E	S
14	14	3	22	22
16	14	3	28	27
19	16	3	34	33
22	19	3	43	41
26	20	3	54	50
31	20	3	63	61
38	24	3	78	75
44	44	4	90	90
51	51	6	108	108
61	61	6	135	135

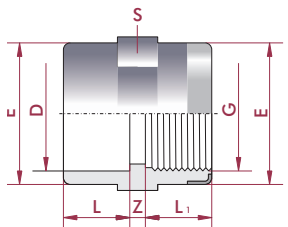
UP. 05. SFTR - SOCKET REINFORCED

Adaptor socket reinforced

- Female solvent socket & BSP female thread
- Reinforcement in stainless steel
- Metric series

Manguito unión mixto reforzado

- Encolar hembra y roscar hembra BSP
- Refuerzo en acero inoxidable
- Serie métrica



D x G	DN	PN	REF.	CODE
20 x 1/2"	15	16	05 05 820	01908
25 x 3/4"	20	16	05 05 825	01909
32 x 1"	25	16	05 05 832	01910
40 x 1 1/4"	32	16	05 05 840	01911
50 x 1 1/2"	40	16	05 05 850	01912
63 x 2"	50	16	05 05 863	01913

L	L ₁	Z	E	S
16	14	3	28	27
19	16	3	34	33
22	19	3	43	41
26	20	3	54	50
31	20	3	63	61
38	24	3	78	75

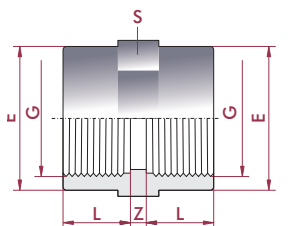
UP. 05. FT - SOCKET

Threaded adaptor socket

- BSP female thread

Manguito unión doble rosca

- Roscar hembra BSP



G	DN	PN	REF.	CODE
3/8"	10	10	05 05 616	01898
1/2"	15	10	05 05 620	01899
3/4"	20	10	05 05 625	01900
1"	25	10	05 05 632	01901
1 1/4"	32	10	05 05 640	01902
1 1/2"	40	10	05 05 650	01903
2"	50	10	05 05 663	01904
2 1/2"	65	10	05 05 675	01905
3"	80	10	05 05 690	01906
4"	100	10	05 05 710	01907

L	Z	E	S
14	3	22	22
14	3	27	28
16	3	33	34
19	3	41	43
20	3	50	54
20	3	61	63
24	3	75	78
44	4	90	90
51	6	108	108
61	6	135	135

* Distributed product
* Producto comercializado

¹ AFNOR
² KIWA
³ AENOR

PVC-U REDUCERS REDUCCIONES PVC-U

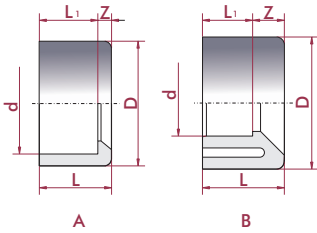
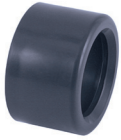
UP. 06. SMF - REDUCING BUSH

Reducing bush

- Male x female solvent socket
- Metric series

Casquillo reducción

- Encolar macho x hembra
- Serie métrica



D x d	DN	PN	REF.	CODE	L	L ₁	Z	Mod.
20 x 16	10	16	05 06 020 ³	01914	16	14	2	A
25 x 20	15	16	05 06 025 ²³	01915	19	16	3	A
32 x 25	20	16	05 06 032 ²³	01916	22	19	3	A
32 x 20	15	16	05 06 033 ³	01917	22	16	6	A
40 x 32	25	16	05 06 040 ²³	01918	26	22	4	A
40 x 25	20	16	05 06 041 ³	01919	26	19	7	A
40 x 20	15	16	05 06 042 ³	01920	26	16	10	B
50 x 40	32	16	05 06 050 ²³	01921	31	26	5	A
50 x 32	25	16	05 06 051 ³	01922	31	22	9	B
50 x 25	20	16	05 06 052 ³	01923	31	19	12	B
50 x 20	15	16	05 06 053 ³	01924	31	16	15	B
63 x 50	40	16	05 06 063 ²³	01925	38	31	7	A
63 x 40	32	16	05 06 064 ³	01926	38	26	12	B
63 x 32	25	16	05 06 065 ³	01927	38	22	16	B
75 x 63	50	16	05 06 075 ²³	01928	44	38	6	A
75 x 50	40	16	05 06 076 ³	18685	44	31	13	B
75 x 40	32	16	05 06 077 ³	18686	44	26	18	B
90 x 75	65	16	05 06 090 ²³	01929	51	44	7	A
90 x 63	50	16	05 06 091 ³	18687	51	38	13	B
90 x 50	40	16	05 06 092 ³	18688	51	31	20	B
110 x 90	80	16	05 06 110 ³	01930	61	51	10	A
110 x 75	65	16	05 06 111 ³	18689	61	44	17	B
110 x 63	50	16	05 06 112 ³	18690	61	38	23	B
125 x 110	100	16	05 06 125 ³	01931	69	61	8	A
125 x 90	80	16	05 06 126 ³	18691	69	51	18	B
125 x 75	65	16	05 06 127 ³	20142	69	44	25	B
140 x 125	110	16	05 06 140 ³	01932	76	69	8	A
140 x 110	100	16	05 06 141 ³	18692	76	61	15	B
160 x 140	125	10	05 06 160 ³	01933	86	76	10	A
160 x 110	100	10	05 06 162 ³	18693	86	61	25	B
200 x 180	160	10	05 06 199 ³	01934	106	96	10	A
200 x 160	150	10	05 06 200 ³	01935	106	86	20	B
225 x 200	175	10	05 06 225 ³	01936	119	106	13	A
225 x 160	150	10	05 06 226 ³	01937	119	86	33	B
250 x 225	200	10	05 06 250 ³	01938	131	119	12	A
250 x 200	175	10	05 06 251 ³	01939	131	106	25	B
315 x 280	250	6	05 06 315	10093				
315 x 250	225	6	05 06 316 [*]	01940	164	131	33	B
315 x 225	200	6	05 06 317 [*]	01941	164	119	45	B
400 x 315	300	6	05 06 400 [*]	05330	206	163	42	B

* Distributed product

* Producto comercializado

¹ AFNOR

² KIWA

³ AENOR

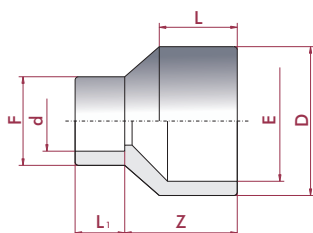
UP. 09. SMF - CONICAL REDUCER

Conical reducer

- Male x female solvent socket
- Metric series

Reducción cónica

- Encolar macho x hembra
- Serie métrica



D-E x d	DN	PN	DN	CODE	L	L ₁	Z	F
32-25 x 25	20	16	05 09 032 ³	01974	22	19	30	33
32-25 x 20	15	16	05 09 033 ³	01975	22	16	30	27
40-32 x 32	25	16	05 09 040 ³	01976	26	22	36	38
40-32 x 25	20	16	05 09 041 ³	01977	26	19	36	33
40-32 x 20	15	16	05 09 042 ³	01978	26	16	36	27
50-40 x 40	32	16	05 09 050 ³	01979	31	26	44	48
50-40 x 32	25	16	05 09 051 ³	01980	31	22	44	41
50-40 x 25	20	16	05 09 052 ³	01981	31	19	44	33
50-40 x 20	15	16	05 09 053 ³	01982	31	16	44	27
63-50 x 50	40	16	05 09 063 ³	01983	38	31	54	61
63-50 x 40	32	16	05 09 064 ³	01984	38	26	54	50
63-50 x 32	25	16	05 09 065 ³	01985	38	22	54	41
63-50 x 25	20	16	05 09 066 ³	01986	38	19	54	33
63-50 x 20	15	16	05 09 067 ³	01987	38	16	54	27
75-63 x 63	50	16	05 09 075 ³	01988	44	38	62	73
75-63 x 50	40	16	05 09 076 ³	01989	44	31	62	61
75-63 x 40	32	16	05 09 077 ³	01990	44	26	62	50
75-63 x 32	25	16	05 09 078 ³	01991	44	22	62	41
90-75 x 75	65	16	05 09 090 ³	01992	51	44	74	87
90-75 x 63	50	16	05 09 091 ³	01993	51	38	74	75
90-75 x 50	40	16	05 09 092 ³	01994	51	31	74	61
90-75 x 40	32	16	05 09 093 ³	01995	51	26	74	50
110-90 x 90	80	16	05 09 110 ³	01996	61	51	88	105
110-90 x 75	65	16	05 09 111 ³	01997	61	44	88	90
110-90 x 63	50	16	05 09 112 ³	01998	61	38	88	75
110-90 x 50	40	16	05 09 113 ³	01999	61	31	88	61
125-110 x 90	80	16	05 09 126 ³	02000	69	51	100	105
125-110 x 75	65	16	05 09 127 ³	02001	69	44	100	90
125-110 x 63	50	16	05 09 128 ³	02002	69	38	100	75
140-125 x 110	100	16	05 09 141 ³	02003	76	61	111	130
140-125 x 90	80	16	05 09 142 ³	02004	76	51	111	105
140-125 x 75	65	16	05 09 143 ³	02005	76	44	111	90
160-140 x 125	110	10	05 09 161 ¹³	02006	86	69	126	148
160-140 x 110	100	10	05 09 162 ¹³	02007	86	61	126	130
160-140 x 90	80	10	05 09 163 ³	02008	86	51	126	105
200-180 x 140	125	10	05 09 202	02009	106	76	154	157
200-180 x 125	110	10	05 09 203	02010	106	69	154	140
200-180 x 110	100	10	05 09 204	02011	106	61	154	130
225-200 x 160	150	10	05 09 227	02012	119	86	171	180
225-200 x 140	125	10	05 09 228	02013	119	76	171	160
225-200 x 125	110	10	05 09 229	02014	119	69	171	140
250-225 x 200	175	10	05 09 251	02015	131	106	194	225
250-225 x 160	150	10	05 09 253	02016	131	86	194	180
250-225 x 140	125	10	05 09 254	02017	131	76	194	157
315-280 x 200	175	6	05 09 318 *	02018	164	106	233	225
315-280 x 160	150	6	05 09 320 *	02019	164	86	233	180

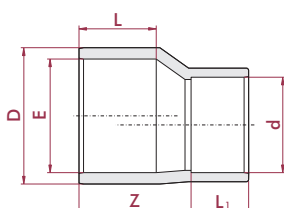
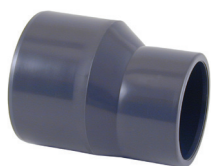
UP. 09. SF - EXCENTRIC CONICAL REDUCER

Excentric conical reducer

- Female solvent socket
- Metric series

Reducción cónica excéntrica

- Encolar hembra
- Serie métrica



D-E x d	DN	PN	REF.	CODE	L	L ₁	Z
90-75 x 63	50	16	05 09 691	09030	51	38	74

* Distributed product
* Producto comercializado

¹ AFNOR
² KIWA
³ AENOR

PVC-U CAPS TAPONES PVC-U

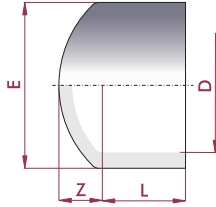
UP. 07. SF - CAP

Cap

- Female solvent socket
- Metric series

Tapón

- Encolar hembra
- Serie métrica



D	DN	PN	REF.	CODE
16	10	16	05 07 016	01942
20	15	16	05 07 020 ²	01943
25	20	16	05 07 025 ²	01944
32	25	16	05 07 032 ²	01945
40	32	16	05 07 040 ²	01946
50	40	16	05 07 050 ²	01947
63	50	16	05 07 063 ²	01948
75	65	16	05 07 075 ²	01949
90	80	16	05 07 090 ²	01950
110	100	16	05 07 110	01951
125	110	16	05 07 125	01952
140	125	16	05 07 140	01953
160	150	10	05 07 160	01954
200	175	10	05 07 200	01955
225	200	10	05 07 225	01956
250	225	10	05 07 250	15776
315	300	10	05 07 315	15777
400	355	5	05 07 400*	TBD

L	Z	E
14	7	22
16	8	25
19	9	32
22	10	40
26	12	50
31	15	63
38	17	75
44	19	90
51	23	110
61	28	131
69	32	148
76	36	163
86	40	185
106	46	224
119	50	252
131	60	282
164	70	357
206	126	434

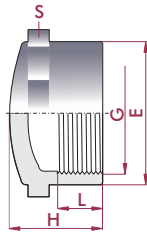
UP. 07. FT - CAP

Cap

- BSP female thread

Tapón

- Roscar hembra BSP



G	DN	PN	REF.	CODE
3/8"	10	10	05 07 616	01957
1/2"	15	10	05 07 620	01958
3/4"	20	10	05 07 625	01959
1"	25	10	05 07 632	01960
1 1/4"	32	10	05 07 640	01961
1 1/2"	40	10	05 07 650	01962
2"	50	10	05 07 663	01963
2 1/2"	65	10	05 07 675	01964
3"	80	10	05 07 690	01965
4"	100	10	05 07 710	01966

L	E	H	S
14	24	20	24
14	27	23	27
16	33	28	33
19	41	33	41
20	50	36	50
20	61	43	61
24	75	50	75
44	90	64	90
51	108	76	108
61	135	91	135

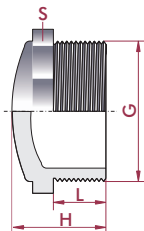
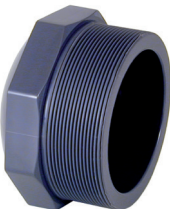
UP. 19. MT - PLUG

Plug

- BSP male thread

Tapón

- Roscar macho BSP



G	DN	PN	REF.	CODE
1/4"	8	10	05 19 612	02121
3/8"	10	10	05 19 616	02122
1/2"	15	10	05 19 620	02123
3/4"	20	10	05 19 625	02124
1"	25	10	05 19 632	02125
1 1/4"	32	10	05 19 640	02126
1 1/2"	40	10	05 19 650	02127
2"	50	10	05 19 663	02128
2 1/2"	65	10	05 19 675	02129
3"	80	10	05 19 690	02130
4"	100	10	05 19 710	02131

L	H	S
10	18	12
10	22	20
14	27	27
16	30	32
19	34	36
21	36	46
21	37	55
26	42	65
30	50	80
33	59	93
38	68	115

¹ AFNOR

² KIWA

³ AENOR

PVC-U NIPPLES MACHONES PVC-U

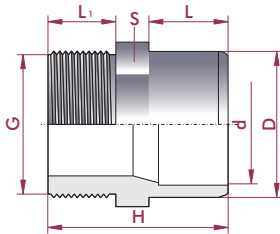
UP. 15. SFMT - ADAPTOR NIPPLE

Adaptor nipple

- Female solvent socket & BSP male thread
- Metric series

Machón mixto

- Encolar hembra y roscar macho BSP
- Serie métrica



D - d x G	DN	PN	REF.	CODE
16 - 12 x 3/8"	12	10	05 15 416	02073
20 - 16 x 1/2"	15	10	05 15 420	02074
20 - 16 x 3/4"	12	10	05 15 421	02075
25 - 20 x 3/4"	20	10	05 15 425	02076
25 - 20 x 1/2"	15	10	05 15 426	02077
25 - 20 x 3/8"	12	10	05 15 427	02078
32 - 25 x 1"	25	10	05 15 432	02079
32 - 25 x 3/4"	20	10	05 15 433	02080
32 - 25 x 1/2"	15	10	05 15 434	02081
40 - 32 x 1 1/4"	32	10	05 15 440	02082
40 - 32 x 1"	25	10	05 15 441	02083
40 - 32 x 3/4"	20	10	05 15 442	02084
50 - 40 x 1 1/2"	40	10	05 15 450	02085
50 - 40 x 1 1/4"	32	10	05 15 451	02086
50 - 40 x 1"	25	10	05 15 452	02087
63 - 50 x 2"	50	10	05 15 463	02088
63 - 50 x 1 1/2"	40	10	05 15 464	02089
63 - 50 x 1 1/4"	32	10	05 15 465	02090
75 - 63 x 2 1/2"	65	10	05 15 475	02091
75 - 63 x 2"	50	10	05 15 476	02092
75 - 63 x 1 1/2"	40	10	05 15 477	02093
90 - 75 x 3"	80	10	05 15 490	02094
90 - 75 x 2 1/2"	65	10	05 15 491	02095
90 - 75 x 2"	50	10	05 15 492	02096
110 - 90 x 4"	100	10	05 15 510	02097
110 - 90 x 3"	80	10	05 15 511	02098
110 - 90 x 2 1/2"	65	10	05 15 512	02099

L	L ₁	H	S
14	11	35	24
16	14	42	27
16	11	39	27
19	16	47	32
19	14	45	32
19	11	42	32
22	19	54	36
22	16	51	36
22	14	49	36
26	21	60	46
26	19	58	46
26	16	55	46
31	25	70	55
31	21	66	55
31	19	64	55
38	25	78	65
38	21	73	65
38	21	73	65
44	30	89	78
44	25	84	78
44	21	80	78
51	33	99	93
51	30	96	93
51	25	91	93
61	40	116	120
61	33	109	120
61	30	106	120

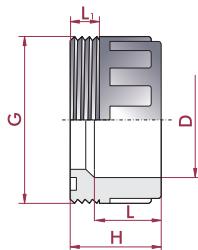
UP. 16. SFMT - ADAPTOR NIPPLE

Adaptor nipple

- Female solvent socket x BSP male thread
- Metric series

Manguito adaptación

- Encolar hembra x roscar macho BSP
- Serie métrica



D x G	DN	PN	REF.	CODE
50 x 2"	40	10	05 16 450	02100
63 x 2 1/2"	50	10	05 16 463	02101

L	L ₁	H
31	16	52
38	17	62

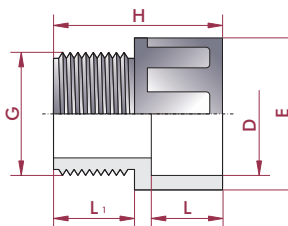
UP. 17. SFMT - ADAPTOR BUSH

Adaptor bush

- Female solvent socket x BSP male threaded
- Metric series

Terminal rosca macho

- Encolar hembra x roscar macho BSP
- Serie métrica



D x G	DN	PN	REF.	CODE
20 x 1/2"	15	10	05 17 420	02102
25 x 3/4"	20	10	05 17 425	02103
32 x 1"	25	10	05 17 432	02104
40 x 1 1/4"	32	10	05 17 440	02105
50 x 1 1/2"	40	10	05 17 450	02106
63 x 2"	50	10	05 17 463	02107
75 x 2 1/2"	65	10	05 17 475	02108
90 x 3"	80	10	05 17 490	02109
110 x 4"	100	10	05 17 510	02110

L	L ₁	E	H
16	14	28	38
19	16	34	42
22	19	41	50
26	21	51	55
31	22	62	65
38	27	77	75
44	30	90	85
51	33	108	98
61	40	131	115

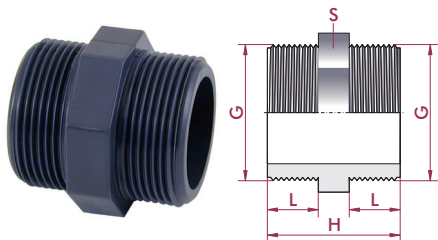
UP. 18. MT - THREADED NIPPLE

Hexagon nipple

• BSP male thread

Machón doble rosca

• Roscar macho BSP



G	DN	PN	REF.	CODE
3/8"	10	10	05 18 616	02111
1/2"	15	10	05 18 620	02112
3/4"	20	10	05 18 625	02113
1"	25	10	05 18 632	02114
1 1/4"	32	10	05 18 640	02115
1 1/2"	40	10	05 18 650	02116
2"	50	10	05 18 663	02117
2 1/2"	65	10	05 18 675	02118
3"	80	10	05 18 690	02119
4"	100	10	05 18 710	02120

L	H	S
11	32	20
14	40	27
16	44	32
19	51	36
21	55	46
21	56	55
26	66	65
30	75	90
33	81	108
38	91	135

UP. 31. SFT - ADAPTOR NIPPLE

Adaptor nipple

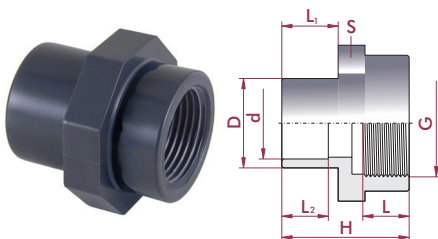
• Female solvent socket & BSP female thread

• Metric series

Adaptador mixto

• Encolar hembra y roscar hembra BSP

• Serie métrica



D - d x G	DN	PN	REF.	CODE
20 - 16 x 3/4"	16	10	05 31 420	02243
20 - 16 x 1/2"	16	10	05 31 421	02244
20 - 16 x 3/8"	12	10	05 31 422	02245
20 - 16 x 1/4"	12	10	05 31 423	02246
25 - 20 x 1"	20	10	05 31 425	02247
25 - 20 x 3/4"	20	10	05 31 426	02248
25 - 20 x 1/2"	16	10	05 31 427	02249
32 - 25 x 1 1/4"	25	10	05 31 432	02250
32 - 25 x 1"	25	10	05 31 433	02251
32 - 25 x 3/4"	20	10	05 31 434	02252
32 - 25 x 1/2"	16	10	05 31 435	24822
40 - 32 x 1 1/2"	32	10	05 31 440	02253
40 - 32 x 1 1/4"	32	10	05 31 441	02254
40 - 32 x 1"	25	10	05 31 442	02255
50 - 40 x 2"	40	10	05 31 450	02256
50 - 40 x 1 1/2"	40	10	05 31 451	02257
50 - 40 x 1 1/4"	32	10	05 31 452	02258
63 - 50 x 2 1/2"	50	10	05 31 463	02259
63 - 50 x 2"	50	10	05 31 464	02260
63 - 50 x 1 1/2"	40	10	05 31 465	02261
75 - 63 x 3"	50	10	05 31 475	02262
75 - 63 x 2 1/2"	65	10	05 31 476	02263
75 - 63 x 2"	50	10	05 31 477	02264
90 - 75 x 4"	65	10	05 31 490	02265
90 - 75 x 3"	65	10	05 31 491	02266
90 - 75 x 2 1/2"	65	10	05 31 492	02267
110 - 90 x 4"	80	10	05 31 511	02268
110 - 90 x 3"	80	10	05 31 512	02269

L	L ₁	L ₂	H	S
19	16	14	44	32
18	16	14	43	32
14	16	14	39	32
12	16	14	37	32
22	19	16	50	36
19	19	16	47	32
18	19	16	46	32
25	22	19	56	46
22	22	19	53	36
19	22	19	50	36
18	22	19	49	36
25	26	22	60	55
25	26	22	60	46
22	26	22	57	46
29	31	26	69	65
25	31	26	65	55
25	31	26	65	55
34	38	31	81	78
29	38	31	76	65
25	38	31	72	65
37	44	38	96	108
34	44	38	87	78
29	44	38	82	78
42	51	44	124	135
36	51	44	98	108
33	51	44	92	90
42	61	51	116	135
36	61	51	105	110

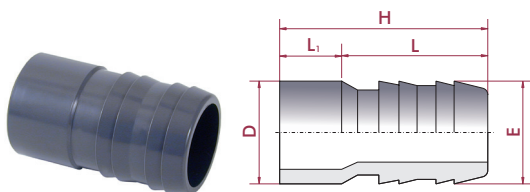
UP. 24. SF - SPIGOT CONNECTION

Spigot connection

• Solvent socket

Espiga conexión a PE lisa

• Encolar



D x E	DN	PN	REF.	CODE
16 x 16	10	10	05 24 016	02200
20 x 18	15	10	05 24 018	02201
20 x 20	15	10	05 24 020	02202
25 x 25	20	10	05 24 025	02203
32 x 30	25	10	05 24 032	02204
40 x 40	32	10	05 24 040	02205
50 x 50	40	10	05 24 050	02206
50 x 38	40	10	05 24 051	02207
63 x 60	50	10	05 24 063	02208

H	L ₁	L	E
49	14	35	16
51	16	35	18
54	16	38	20
61	19	42	25
69	22	47	30
78	26	52	40
88	31	57	50
88	31	57	38
98	38	60	61

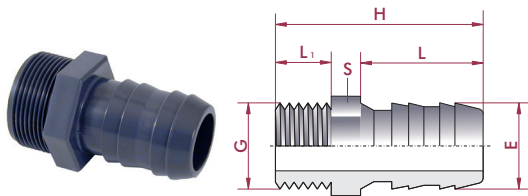
UP. 24. MT - SPIGOT CONNECTION

Spigot connection

• BSP male thread

Espiga conexión PE roscada

• Roscar macho BSP



G x E	DN	PN	REF.	CODE
3/8" x 16	10	10	05 24 616	02217
1/2" x 18	15	10	05 24 618	02218
1/2" x 20	15	10	05 24 620	02219
3/4" x 25	20	10	05 24 625	02220
3/4" x 20	20	10	05 24 626	15763
1" x 30	25	10	05 24 632	02221
1" x 25	25	10	05 24 633	09031
1 1/4" x 40	32	10	05 24 640	02222
1 1/2" x 50	40	10	05 24 650	02223
1 1/2" x 38	40	10	05 24 651	02224
1 1/2" x 40	40	10	05 24 652	09032
2" x 60	50	10	05 24 663	02225

H	L ₁	S	L	E
54	11	35	18	16
58	15	35	22	18
60	15	38	22	20
67	17	42	27	25
62	17	36	27	20
78	21	47	36	30
78	21	47	36	25
84	22	52	46	40
89	22	57	50	50
89	22	57	50	38
89	22	57	50	40
100	26	60	65	61

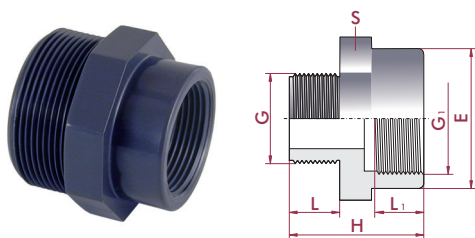
UP. 32. MFT - THREADED REDUCER

Threaded reducer

• BSP male x female thread

Reducción roscada

• Roscar macho x hembra BSP



G x G ₁	DN	PN	REF.	CODE
3/8" x 1/2"	10	10	05 32 616	02270
1/2" x 3/4"	15	10	05 32 620	02271
1/2" x 3/8"	10	10	05 32 621	02272
3/4" x 1"	20	10	05 32 625	02273
3/4" x 1/2"	15	10	05 32 626	02274
3/4" x 3/8"	10	10	05 32 627	02275
1" x 1 1/4"	25	10	05 32 632	02276
1" x 3/4"	20	10	05 32 633	02277
1" x 1/2"	15	10	05 32 634	02278
1" x 3/8"	10	10	05 32 635	02279
1 1/4" x 1 1/2"	32	10	05 32 640	02280
1 1/4" x 1"	25	10	05 32 641	02281
1 1/4" x 3/4"	20	10	05 32 642	02282
1 1/4" x 1/2"	15	10	05 32 643	02283
1 1/2" x 2"	40	10	05 32 650	02284
1 1/2" x 1 1/4"	32	10	05 32 651	02285
1 1/2" x 1"	25	10	05 32 652	02286
1 1/2" x 3/4"	20	10	05 32 653	02287
2" x 2 1/2"	50	10	05 32 663	02288
2" x 1 1/2"	40	10	05 32 664	02289
2" x 1 1/4"	32	10	05 32 665	02290
2" x 1"	25	10	05 32 666	02291
2 1/2" x 3"	65	10	05 32 675	02292
2 1/2" x 2"	50	10	05 32 676	02293
2 1/2" x 1 1/2"	40	10	05 32 677	02294
2 1/2" x 1 1/4"	32	10	05 32 678	02295
3" x 4"	80	10	05 32 690	02296
3" x 2 1/2"	63	10	05 32 691	02297
3" x 2"	50	10	05 32 692	02298
3" x 1 1/2"	40	10	05 32 693	02299
4" x 3"	80	10	05 32 711	02300
4" x 2 1/2"	65	10	05 32 712	23001
4" x 2"	50	10	05 32 713	23002

L	L ₁	H	E	S
11	18	42	28	27
15	19	49	35	33
15	14	38	22	22
16	22	46	41	41
16	18	43	28	32
16	14	39	22	33
19	25	53	50	50
19	19	48	33	36
19	18	47	28	36
19	14	43	22	36
21	25	54	61	61
21	25	52	41	46
21	22	50	33	46
21	18	49	28	46
21	29	60	75	75
21	25	55	50	55
21	22	53	41	55
21	19	51	33	55
25	34	68	90	90
25	25	59	61	65
25	25	59	50	65
25	22	57	41	65
30	37	99	108	108
30	29	68	75	80
30	25	64	61	80
30	25	64	50	80
33	43	115	135	135
33	34	75	90	93
33	29	70	75	93
33	25	66	61	93
39	37	91	108	115
39	34	93	90	115
39	29	100	75	115

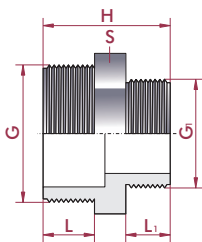
UP. 33. MT - THREADED REDUCER

Threaded reducer

• BSP male x male thread

Reducción roscada

• Roscar macho x macho BSP



G x G ₁	DN	PN	REF.	CODE
1/2" x 3/8"	10	10	05 33 620	02303
3/4" x 1/2"	15	10	05 33 625	02304
3/4" x 3/8"	10	10	05 33 626	02305
1" x 3/4"	20	10	05 33 632	02306
1" x 1/2"	15	10	05 33 633	02307
1" x 3/8"	10	10	05 33 634	02308
1 1/4" x 1"	25	10	05 33 640	02309
1 1/4" x 3/4"	20	10	05 33 641	02310
1 1/4" x 1/2"	15	10	05 33 642	02311
1 1/2" x 1 1/4"	32	10	05 33 650	02312
1 1/2" x 1"	25	10	05 33 651	02313
1 1/2" x 3/4"	20	10	05 33 652	02314
2" x 1 1/2"	40	10	05 33 663	02315
2" x 1 1/4"	32	10	05 33 664	02316
2" x 1"	25	10	05 33 665	02317
2 1/2" x 2"	50	10	05 33 675	02318
2 1/2" x 1 1/2"	40	10	05 33 676	02319
2 1/2" x 1 1/4"	32	10	05 33 677	02320
3" x 2 1/2"	65	10	05 33 690	02321
3" x 2"	50	10	05 33 691	02322
3" x 1 1/2"	40	10	05 33 692	02323
4" x 3"	80	10	05 33 710	02324
4" x 2 1/2"	65	10	05 33 711	02325
4" x 2"	50	10	05 33 712	02326

L	L ₁	H	S
15	11	36	24
16	15	43	32
16	11	39	32
19	16	48	40
19	15	47	40
19	11	43	40
21	19	53	50
21	16	50	50
21	15	49	50
21	21	56	55
21	19	54	55
21	16	51	55
25	21	61	65
25	21	61	65
25	19	58	65
30	25	70	80
30	21	66	80
30	21	66	80
33	30	78	93
33	25	73	93
33	21	69	93
38	33	86	115
38	30	83	115
38	25	78	115

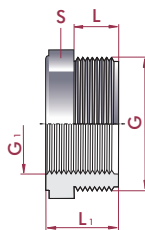
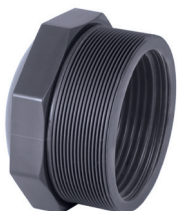
UP. 34. MFT - SHORT THREADED REDUCER

Short threaded reducer

• BSP male x female thread

Reducción roscada corta

• Roscar macho x hembra BSP



G x G ₁	DN	PN	REF.	CODE
1/2" x 1/4"	7	10	05 34 621	23087
3/4" x 1/2"	15	10	05 34 625	20147
3/4" x 1/4"	7	10	05 34 627	23088
3/4" x 1/8"	3	10	05 34 628	28081
1" x 3/4"	20	10	05 34 632	20148
1" x 1/4"	7	10	05 34 635	23089
1 1/4" x 1"	25	10	05 34 640	20149
1 1/2" x 1 1/4"	32	10	05 34 650	20150
2" x 1 1/2"	40	10	05 34 663	20151
2 1/2" x 2"	50	10	05 34 675	20152
3" x 2 1/2"	63	10	05 34 690	20153
4" x 3"	75	10	05 34 710	20154

L	L ₁	S
14	12	27
16	30	32
16	12	32
16	34	32
19	34	36
12	19	36
21	36	46
21	36	55
26	42	65
30	47	80
33	51	93
39	64	120

PVC-U RUBBER-RING JOINT FITTINGS

ACCESORIOS EN PVC-U CON JUNTA ELÁSTICA

FEATURES

Easy installation fittings, without effort or tools, thanks to its gaskets.

It is compulsory the use of an inner gasket to install it.

Designed to support earth movements or misalignments, ideally suited for underground installations.

It can absorb vibrations or pipe expansions due to its elasticity and flexibility.

To make the installation easier, it is very important to lubricate the gasket correctly.

- Material: PVC-U.
- Density: 1,4 g/cm³.
- Color: grey RAL 7011.
- Dimensions: from D63 to D315.
- Standards: dimensions and characteristics according to EN 1452.

CARACTERÍSTICAS

Accesorios fáciles de instalar, sin esfuerzo y sin herramientas gracias a las juntas.

Para su correcta instalación es necesaria la junta interior.

Está realizado para poder soportar movimientos de tierra y desalineaciones, ideal para instalaciones enterradas.

Gracias a su elasticidad y flexibilidad, absorbe mejor las vibraciones y la expansión del tubo.

Es muy importante una buena lubricación de la junta para instalar el tubo cómodamente.

- Material: PVC-U.
- Densidad: 1,4 g/cm³.
- Color: gris RAL 7011.
- Dimensiones: de D63 hasta D315.
- Normas: dimensiones y características según la norma EN 1452.

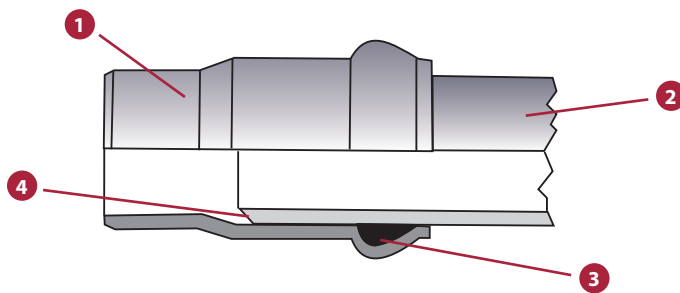


FIG.	Parts	Despiece	Material
1	Union socket	Manguito unión	PVC-U
2	Pipe	Tubería	-
3	Gasket	Junta	NBR
4	Chamfer to make an easier installation	Chaflán para una inserción más fácil	-

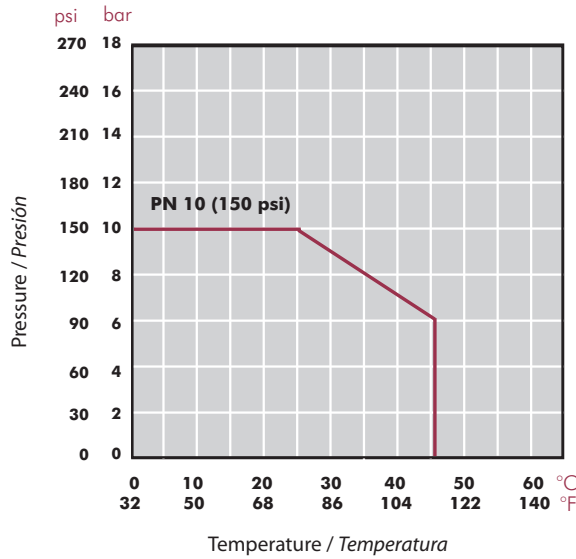
TECHNICAL CHARACTERISTICS

Working pressure at 20°C (73°F) water temperature:
 • D63 - D315: PN 10 (150 psi)

CARACTERÍSTICAS TÉCNICAS

Presión de servicio a 20°C (73°F) temperatura de agua:
 • D63 - D315: PN 10 (150 psi)

**PRESSURE / TEMPERATURE GRAPH
 DIAGRAMA PRESIÓN / TEMPERATURA**



Life: 20 years
 Hydrostatic maximum pressure a component may withstand in continuous service (without overpressure)

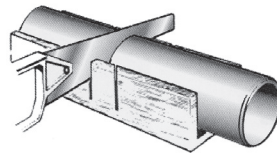
Vida útil: 20 años
Presión hidrostática máxima que un componente es capaz de soportar en servicio continuo (sin sobrepresión)

ASSEMBLY

A. Before assembling rubber ring fittings proceed as follows. In case of pipe end damaged: cut the pipe with a proper tool to obtain a square end.

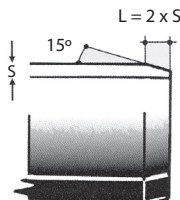
MONTAJE

A. Antes de instalar los accesorios de junta elástica, proceda de la siguiente manera. En caso que el extremo del tubo está dañado: corte el tubo con una herramienta especial para obtener un corte recto perpendicular al eje.



B. Chamfer the pipe with a special tool as shown in the following picture and table.

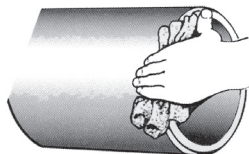
B. Chafane el tubo con una herramienta especial según lo mostrado en la imagen y el cuadro siguiente.



D (mm)	63	75	90	110	125	140	160	200
L (mm)	6,0	7,0	9,0	10,5	12,0	13,5	15,5	19,0

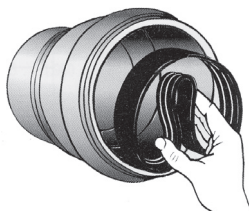
C. Clean carefully the external surface of the pipe and lubricate only with soapy water (do not use oil or grease).

C. Limpie cuidadosamente la superficie externa del tubo. Lubrique solamente con agua jabonosa (no utilice aceite o grasa).



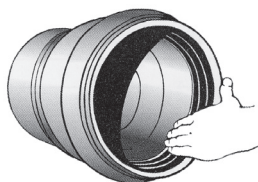
D. Clean carefully the socket seat in the fitting. Check gasket conditions. Introduce the sealing ring into its specific seat.

D. Limpie cuidadosamente el asiento de la junta del accesorio. Compruebe las condiciones de la junta. Introduzca la junta en su asiento específico.



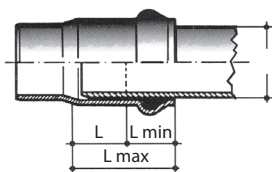
E. Lubricate the internal surface of the rubber ring in the same way as the pipe.

E. Lubrique la superficie interna de la junta con un lubricante adecuado de la misma manera que el tubo.



F. Mark on the outside of the pipe the depth to be inserted into the socket of the fitting according to the lengths in the following table.

F. Marque en el exterior del tubo la profundidad a ser insertada en el accesorio según los longitudes del cuadro.



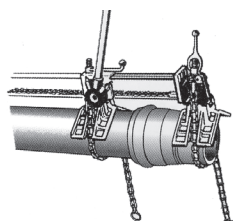
D (mm)	63	75	90	110	125	140	160	200
L max	94	104	109	115	124	133	139	169
L min	42	45	50	55	60	69	75	85
L	52	59	59	60	64	64	64	64

G. To introduce the tube into the fitting we recommend to use the appliance device shown in picture.

- Fix the special assembling device onto the pipe.
- Fix the fitting upon the device.
- With the lever, slide the fitting onto the pipe till you reach the reference mark.

G. Para introducir el tubo en el accesorio se aconseja utilizar un equipo como el mostrado en la imagen.

- Fije un dispositivo de ensamblaje especial sobre el tubo.
- Fije el accesorio sobre el dispositivo.
- Con la palanca, deslice el accesorio sobre el tubo hasta que se alcance la marca de referencia.

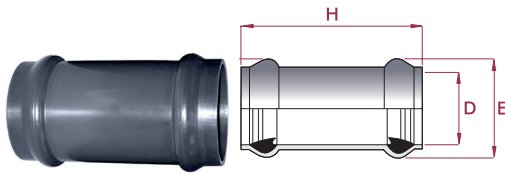


UP. 05. RJ - UNION SOCKET
Union socket

- Rubber ring joint
- Metric series

Manguito unión

- Con junta elástica
- Serie métrica



D	DN	PN	REF.	CODE
63	50	10	70 05 063 *	22917
75	65	10	70 05 075 *	22918
90	80	10	70 05 090 *	22919
110	100	10	70 05 110 *	22920
125	110	10	70 05 125 *	22921
140	125	10	70 05 140 *	22922
160	150	10	70 05 160 *	22923
200	175	10	70 05 200 *	22924
225	200	10	70 05 225 *	22925
250	225	10	70 05 250 *	22926
315	300	10	70 05 315 *	22927

E	H
86	380
102	380
120	380
144	380
161	380
178	380
202	380
248	400
277	500
304	500
382	500

* Distributed product
* Producto comercializado

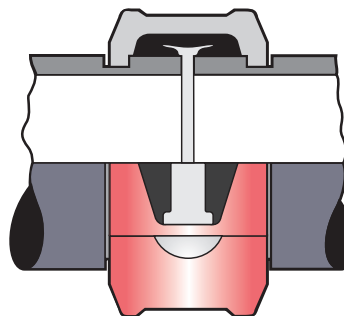
GROOVED COUPLING ENLACE BRIDA RANURADA

Designed with a heavy housing for high pressure service. The housing key is wider than standard and the coupling housing is designed to clamp the bottom of the groove, thus providing an essentially rigid joint. It also eliminates movement at the joint.

Reduces linear or angular movement and is useful for valve connections and other points where rigidity is required.

Diseñado con una resistente cubierta para soportar altas presiones. La llave es más ancha que las estándares y el enlace está diseñado para agarrar el fondo de la ranura, proporcionando una unión rígida. También está pensado para eliminar los movimientos en la unión.

Reduce el movimiento lineal o angular y se puede usar para conexiones con válvulas o en otros sitios donde se requiera rigidez.



- Fast assembly.
- Allows misalignments up to 1°30'.
- EPDM joint.
- Coupling made of coated ductile iron.
- Bolts made of zinc plated carbon steel.

- Montaje rápido.
- Permite desalineaciones de hasta 1°30'.
- Junta en EPDM.
- Brida en hierro fundido pintado.
- Tornillos en acero zincado.

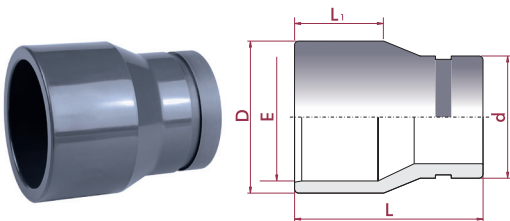
UP. 58. SFVT - VICTAULIC SOCKET

Grooved flexible socket

- Female solvent socket
- Metric series

Enlace brida ranurada

- Encolar hembra
- Serie métrica



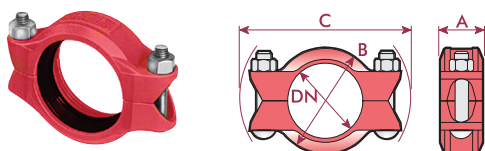
D - E x d	DN	PN	REF.	CODE
75 - 63 x 2"	2"	16	05 58 463	20162
110 - 90 x 3"	3"	16	05 58 490	20163
125 - 110 x 4"	4"	16	05 58 510	20164
180 - 160 x 6"	6"	10	05 58 560	21444

L	L ₁
93	44
132	63
151	71
183	90

UP. 58. VT - VICTAULIC COUPLING

Grooved flexible coupling

Brida ranurada



DN	REF.	CODE
2"	05 58 063*	20165
3"	05 58 090*	20166
4"	05 58 110*	20167
6"	05 58 160*	21445

A	B	C
51	89	168
51	121	197
54	152	245
64	219	321

* Distributed product
* Producto comercializado

PVC-U LOOSE FLANGES BRIDAS LOCAS PVC-U

- EN 1452 / ISO 15493 / ISO EN 558 / BS EN 1092-1 Flange System.
- We recommend to follow flange installation instructions carefully to avoid any unnecessary tensions.

- Sistema de bridas EN 1452 / ISO 15493 / ISO EN 558 / BS EN 1092-1.
- Recomendamos seguir exactamente las normas de montaje de bridas con objeto de evitar tensiones innecesarias.

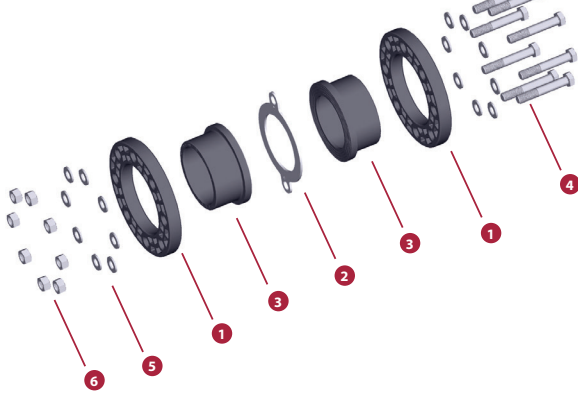
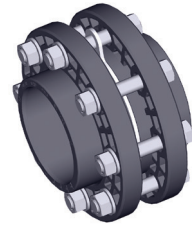


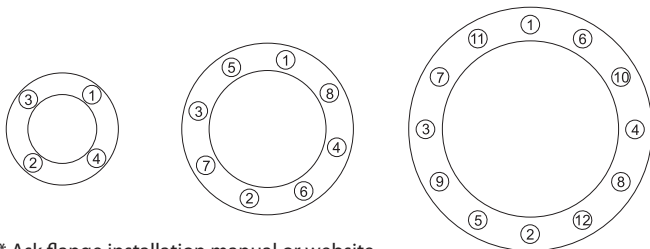
FIG.	Parts	Despiece	Material
1	Flange	Brida	PVC-U / PP
2	Flat gasket	Junta plana	EVA / EPDM
3	Flange adaptor **	Manguito portabridas **	PVC-U
4	Screw DIN 931	Tornillo DIN 931	5.6 Zinc plated steel / A2 Stainless steel *
5	Washer DIN 125-A	Arandela DIN 125-A	
6	Nut DIN 934	Tuerca DIN 934	

D	2		1		3
	EVA	EPDM	PVC-U	PP	PVC-U
20	✓	✓	✓		✓
25	✓	✓	✓		✓
32	✓	✓	✓		✓
40	✓	✓	✓		✓
50	✓	✓	✓	✓	✓
63	✓	✓	✓	✓	✓
75	✓	✓	✓	✓	✓
90	✓	✓	✓	✓	✓
110	✓	✓	✓	✓	✓
125	✓	✓	✓	✓	✓
140	✓	✓	✓	✓	✓
160	✓	✓	✓	✓	✓
200	✓	✓	✓	✓	✓
225	✓	✓	✓	✓	✓
250	✓	✓	✓	✓	✓
315	✓	✓	✓	✓	✓
400		✓	✓	✓	✓
500		✓	✓	✓	✓

* On order A4 Stainless steel
Bajo pedido acero inoxidable A4

** Flange adaptor available in BS and ASTM solvent socket standards
Manguito portabridas disponible en standards BS y ASTM

TIGHTENING SEQUENCE ORDEN DE APRIETE



* Ask flange installation manual or website
Consultar manual instalación bridas o website

TIGHTENING MAXIMUM TORQUE MÁXIMO PAR DE APRIETE

D	DN	inch	N · m	Kgf · cm	inch · lbs
63-75	65	2 ½"	25	255	221
90	80	3"	25	255	221
110	100	4"	30	306	265
125-140	125	5"	35	257	310
160	150	6"	40	408	354
200-225	200	8"	50	510	442
250-280	250	10"	80	816	708
315	300	12"	80	816	708

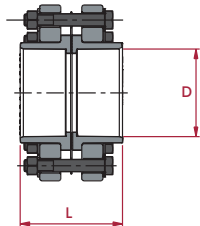
UP. 52. RA - FLANGE KIT

Flange set (kit)

- Loose flange
- Female solvent socket
- Metric series

Enlace con bridas (kit)

- Brida loca
- Encolar hembra
- Serie métrica



D	DN	PN	REF. (EVA)	CODE (EVA)	REF. (EPDM)	CODE (EPDM)	L
20	15	16	05 52 020 RA	66996	05 52 020 RA EPDM	67071	
25	20	16	05 52 025 RA	66997	05 52 025 RA EPDM	67072	
32	25	16	05 52 032 RA	66998	05 52 032 RA EPDM	67073	
40	32	16	05 52 040 RA	66999	05 52 040 RA EPDM	67074	
50	40	16	05 52 050 RA	67000	05 52 050 RA EPDM	67075	74
63	50	16	05 52 063 RA	67037	05 52 063 RA EPDM	67076	87
75	65	16	05 52 075 RA	67059	05 52 075 RA EPDM	67077	100
90	80	16	05 52 090 RA	67064	05 52 090 RA EPDM	67078	115
110	100	16	05 52 110 RA	67065	05 52 110 RA EPDM	67079	136
125	16	16	05 52 125 RA	67070	05 52 125 RA EPDM	67080	152
140	125	16	05 52 140 RA	67066	05 52 140 RA EPDM	67081	170
160	150	10	05 52 160 RA	67067	05 52 160 RA EPDM	67082	186
200	10	10	05 52 200 RA	67068	05 52 200 RA EPDM	67083	227
225	200	10	05 52 225 RA	67069	05 52 225 RA EPDM	67084	255
250	10	10	05 52 250 RA	66955	05 52 250 RA EPDM	66973	
315	300	10	05 52 315 RA	66956	05 52 315 RA EPDM	66974	
400	400	6	-	-	05 52 400 RA EPDM	66957	
500	500	4	-	-	05 52 500 RA EPDM	66958	

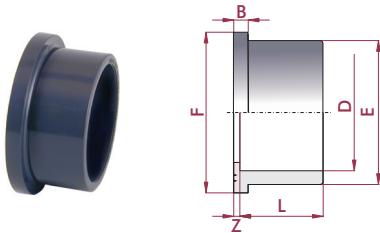
UP. 10. SF - FLANGE ADAPTOR

PVC-U flange adaptor (sub flange)

- Female solvent socket
- Metric series

Manguito portabridas PVC-U

- Encolar hembra
- Serie métrica



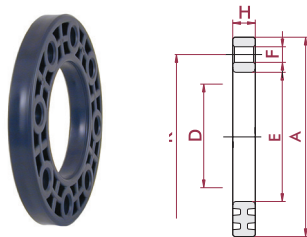
D	DN	PN	REF.	CODE
20	15	16	05 10 020 ³	07692
25	20	16	05 10 025 ³	07693
32	25	16	05 10 032 ³	07694
40	32	16	05 10 040 ³	07695
50	40	16	05 10 050 ³	02020
63	50	16	05 10 063 ³	02021
75	65	16	05 10 075 ³	02022
90	80	16	05 10 090 ³	02023
110	100	16	05 10 110 ³	02024
125	110	16	05 10 125 ³	02025
140	125	16	05 10 140 ³	02026
160	150	10	05 10 160 ³	02027
200	175	10	05 10 200	02028
225	200	10	05 10 225	02029
250	225	10	05 10 250	02030
315	300	10	05 10 315	02031
400	375	6	05 10 400 [*]	05341
500	480	4	05 10 402 [*]	05342

L	Z	B	E	F
16	3	6	27	34
19	3	7	33	41
22	3	7	41	50
26	3	8	50	61
31	3	8	61	73
38	3	9	76	90
44	3	10	90	106
51	5	11	108	125
61	5	12	131	150
69	5	13	148	168
76	5	14	165	188
86	5	16	188	213
106	6	20	225	247
119	6	25	248	274
131	8	27	282	328
164	8	30	342	378
206	12	30	432	483
153	8	24	532	574

UP. 11. FLG - FLANGE

PVC-U loose flange

Brida loca PVC-U



D	DN	PN	REF.	CODE
20	15	16	05 11 020	07696
25	20	16	05 11 025	07697
32	25	16	05 11 032	07698
40	32	16	05 11 040	07699
50	40	16	05 11 050	02032
63	50	16	05 11 063	02033
75	65	16	05 11 075	02034
90	80	16	05 11 090	02035
110	100	16	05 11 110	02036
125	110	16	05 11 125	02037
140	125	16	05 11 140	02038
125 ⁴		16	05 11 141 ³	02039
160	150	10	05 11 160	02040
200		10	05 11 200	02041
225	200	10	05 11 225	02042
200 ⁵		10	05 11 226 ³	09039
250		10	05 11 250	02043
315	300	10	05 11 315	02044
400	400	6	05 11 400 [*]	05343
500	500	4	05 11 402 [*]	05344

E	A	H	K	F
28	95	12	65	14 x 4
34	105	13	75	14 x 4
42	115	15	85	14 x 4
51	140	16	100	18 x 4
62	150	17	110	18 x 4
78	165	18	125	18 x 4
92	185	22	145	18 x 4
110	200	23	160	18 x 8
133	220	24	180	18 x 8
150	230	26	190	18 x 8
167	250	28	210	18 x 8
150	250	28	210	18 x 8
190	285	31	240	22 x 8
226	315	32	270	22 x 8
250	340	32	295	22 x 8
226	340	32	295	22 x 8
284	400	34	350	22 x 12
348	445	36	400	22 x 12
442	565	34	515	26 x 16
533	657	30	600	26 x 20

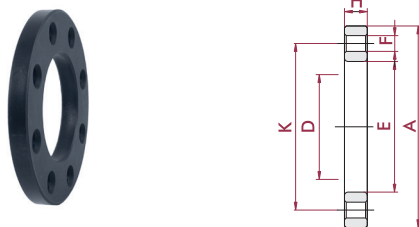
- ⁴ Hole distance corresponding to DN125 flange
- ⁵ Hole distance corresponding to DN200 flange

- ⁴ Brida con distancia entre agujeros correspondiente a la brida DN125
- ⁵ Brida con distancia entre agujeros correspondiente a la brida DN200

PP. 12. FLG - PP FLANGE

PP flange (backing ring)

Brida PP



D	DN	PN	REF.	CODE
50	40	16	05 12 050	02045
63	50	16	05 12 063	02046
75	65	16	05 12 075	02047
90	80	16	05 12 090	02048
110	100	16	05 12 110	02049
125		16	05 12 125	02050
140	125	16	05 12 140	02051
125 ⁴		16	05 12 141 ³	02052
160	150	10	05 12 160	02053
200		10	05 12 200	02054
225	200	10	05 12 225	02055
200 ⁵		10	05 12 226 ³	02056

E	H	A	K	F
62	18	150	110	18 x 4
78	19	165	125	18 x 4
92	20	185	145	18 x 4
110	22	200	160	18 x 8
133	24	220	180	18 x 8
149	26	230	190	18 x 8
167	28	250	210	18 x 8
149	28	250	210	18 x 8
190	30	285	240	22 x 8
227	32	315	270	22 x 8
250	34	340	295	22 x 8
227	34	340	295	22 x 8

- ⁴ Hole distance corresponding to DN125 flange
- ⁵ Hole distance corresponding to DN200 flange

- ⁴ Brida con distancia entre agujeros correspondiente a la brida DN125
- ⁵ Brida con distancia entre agujeros correspondiente a la brida DN200

At the time to make the relationship between adaptor and flange, for the compatibility it prevails the D size of the corresponding pipe.
Siempre que se deba relacionar manguito y brida, prevalece en su compatibilidad la medida D del tubo correspondiente.

* Distributed product
* Producto comercializado

PVC-U FIX FLANGES BRIDAS FIJAS PVC-U

• EN 1452 / ISO 15493 Flange System.
• We recommend to follow flange installation instructions carefully to avoid any unnecessary tensions.

• Sistema de bridas EN 1452 / ISO 15493 .
• Recomendamos seguir exactamente las normas de montaje de bridas con objeto de evitar tensiones innecesarias.

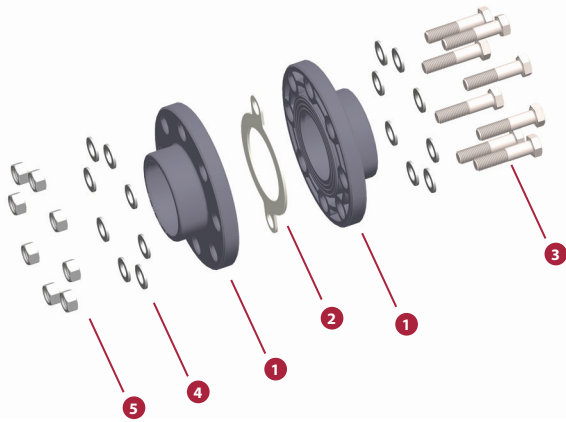
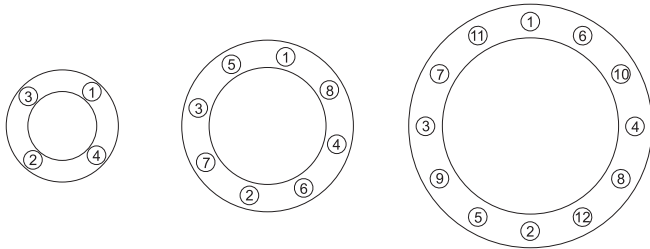


FIG.	Parts	Despiece	Material
1	Flange	Brida	PVC-U / PP
2	Flat gasket	Junta plana	EVA / EPDM
3	Screw DIN 931	Tornillo DIN 931	5,6 Zinc plated steel / A2 Stainless steel *
4	Washer DIN 125-A	Arandela DIN 125-A	
5	Nut DIN 934	Tuerca DIN 934	

* On order A4 Stainless steel
Bajo pedido acero inoxidable A4

TIGHTENING SEQUENCE ORDEN DE APRIETE



* Ask flange installation manual or website
Consultar manual instalación bridas o website

D	2		1
	EVA	EPDM	PVC-U
20	✓	✓	✓
25	✓	✓	✓
32	✓	✓	✓
40	✓	✓	✓
50	✓	✓	✓
63	✓	✓	✓
75	✓	✓	✓
90	✓	✓	✓
110	✓	✓	✓
125	✓	✓	✓
140	✓	✓	✓
160	✓	✓	✓
200	✓	✓	✓
225	✓	✓	✓

TIGHTENING MAXIMUM TORQUE MÁXIMO PAR DE APRIETE

D	DN	inch	N · m	Kgf · cm	inch · lbs
63-75	65	2 ½"	25	255	221
90	80	3"	25	255	221
110	100	4"	30	306	265
125-140	125	5"	35	257	310
160	150	6"	40	408	354
200-225	200	8"	50	510	442
250-280	250	10"	80	816	708
315	300	12"	80	816	708

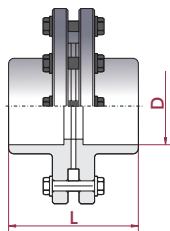
UP. 52. SF - FLANGE KIT

Flange set (kit)

- Fix flange
- Female solvent socket
- Metric series

Enlace con bridas (kit)

- Brida fija
- Encolar hembra
- Serie métrica



D	DN	PN	REF. (EVA)	CODE (EVA)	REF. (EPDM)	CODE (EPDM)	L
20	15	16	05 52 020	66949	05 52 020 EPDM	66959	
25	20	16	05 52 025	66950	05 52 025 EPDM	66960	
32	25	16	05 52 032	66951	05 52 032 EPDM	66961	
40	32	16	05 52 040	66952	05 52 040 EPDM	66962	
50	40	16	05 52 050	66953	05 52 050 EPDM	66963	
63	50	16	05 52 063	66954	05 52 063 EPDM	66964	
75	65	16	05 52 075	02371	05 52 075 EPDM	66965	97
90	80	16	05 52 090	02372	05 52 090 EPDM	66966	115
110	100	16	05 52 110	02373	05 52 110 EPDM	66967	136
125	110	16	05 52 125	02374	05 52 125 EPDM	66968	152
140	125	16	05 52 140	02375	05 52 140 EPDM	66969	166
160	150	10	05 52 160	02376	05 52 160 EPDM	66970	186
200	175	10	05 52 200	02377	05 52 200 EPDM	66971	227
225	200	10	05 52 225	02378	05 52 225 EPDM	66972	255

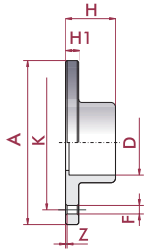
UP. 25. FLG - STUB AND BACKING RING

PVC-U fix flange (stub & backing ring)

- Female solvent socket
- Metric series

Brida fija PVC-U

- Encolar hembra
- Serie métrica



⁴ Hole distance corresponding to DN125 flange

⁴ Brida con distancia entre agujeros correspondiente a la brida DN125

D	DN	PN	REF.	CODE
20	15	16	05 25 020 *	22575
25	20	16	05 25 025 *	22576
32	25	16	05 25 032 *	22577
40	32	16	05 25 040 *	22578
50	40	16	05 25 050 *	22579
63	50	16	05 25 063 *	22580
75	65	16	05 25 075	02226
90	80	16	05 25 090	02227
110	100	16	05 25 110	02228
125		16	05 25 125	02229
125 ⁴		16	05 25 126 ³	02234
140	125	16	05 25 140	02230
160	150	10	05 25 160	02231
200		10	05 25 200	02232
225	200	10	05 25 225	02233

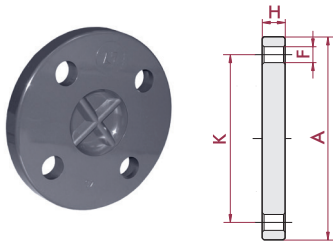
H	H1	Z	A	K	F
20	13	4	95	65	14 x 4
23	14	4	105	75	14 x 4
26	16	4	115	85	14 x 4
30	17	4	142	100	18 x 4
35	18	4	152	110	18 x 4
42	20	4	165	125	18 x 4
47	19	3	185	145	18 x 4
56	22	5	200	160	18 x 8
66	23	5	220	180	18 x 8
74	26	5	230	190	18 x 8
74	26	5	250	210	18 x 8
81	28	5	250	210	18 x 8
91	30	5	285	240	22 x 8
112	30	6	315	270	22 x 8
125	33	6	340	295	22 x 8

* Distributed product
* Producto comercializado

UP. 37. FLG - BLIND FLANGE

PVC-U blind flange

Brida ciega PVC-U



⁵ Hole distance corresponding to DN200 flange

⁵ Brida con distancia entre agujeros correspondiente a la brida DN200

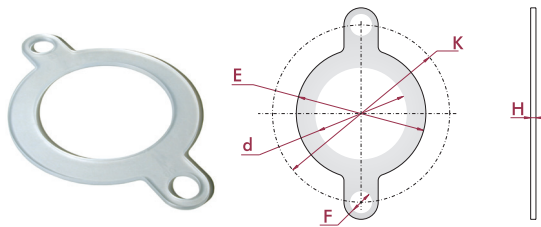
D	DN	PN	REF.	CODE
20	15	16	05 37 020 *	22561
25	20	16	05 37 025 *	22562
32	25	16	05 37 032 *	22563
40	32	16	05 37 040 *	22564
50	40	16	05 37 050 *	22565
63	50	16	05 37 063 *	22566
75	65	16	05 37 075 *	22567
90	80	16	05 37 090 *	22568
110	100	16	05 37 110 *	22569
125	16		05 37 125 *	22570
140	125	16	05 37 140 *	22571
160	150	10	05 37 160 *	22572
200 ⁵		10	05 37 200 ⁵ *	22573
225	200	10	05 37 225 *	22574

H	A	K	F
11	95	65	14 x 4
12	105	75	14 x 4
14	115	85	14 x 4
15	142	100	18 x 4
16	152	110	18 x 4
18	165	125	18 x 4
19	185	145	18 x 4
20	200	160	18 x 8
22	220	180	18 x 8
24	230	190	18 x 8
26	250	210	18 x 8
28	285	240	22 x 8
30	340	295	22 x 8
30	340	295	22 x 8

EVA. 14 - FLAT GASKET

EVA flat gasket
• Metric series

Junta plana EVA
• Serie métrica



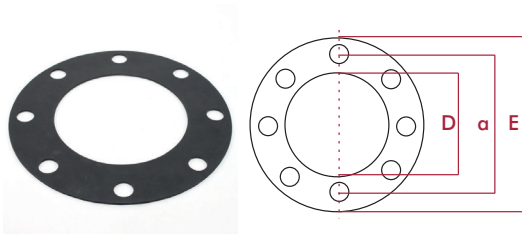
D	DN	REF.	CODE
20	15	05 14 020	07700
25	20	05 14 025	07701
32	25	05 14 032	07702
40	32	05 14 040	07703
50	40	05 14 050	02061
63	50	05 14 063	02062
75	65	05 14 075	02063
90	80	05 14 090	02064
110	100	05 14 110	02065
125		05 14 125	02066
140	125	05 14 140	02067
160	150	05 14 160	02068
200		05 14 200	02069
225	200	05 14 225	02070
250		05 14 250	02071
315	300	05 14 315	02072

d	E	H	K	F
20	32	2	65	14
25	39	2	75	14
32	48	2	85	14
40	59	2	100	18
50	71	3	110	18
63	88	3	125	18
75	104	3	145	18
90	123	3	160	18
110	148	4	180	18
125	166	4	190	18
140	186	4	210	18
160	211	4	240	22
200	245	5	270	22
225	275	5	295	22
250	328	3	350	22
315	378	3	400	22

PDM. 14 - FLAT GASKET

EPDM flat gasket
• Metric series

Junta plana EPDM
• Serie métrica



D	DN	REF.	CODE
20	15	05 14 020 EPDM *	66933
25	20	05 14 025 EPDM *	66934
32	25	05 14 032 EPDM *	66935
40	32	05 14 040 EPDM *	66936
50	40	05 14 050 EPDM *	66937
63	50	05 14 063 EPDM *	66938
75	65	05 14 075 EPDM *	66939
90	80	05 14 090 EPDM *	66940
110	100	05 14 110 EPDM *	66941
125		05 14 125 EPDM *	66942
140	125	05 14 140 EPDM *	66943
160	150	05 14 160 EPDM *	66944
200		05 14 200 EPDM *	66945
225	200	05 14 225 EPDM *	66946
250		05 14 250 EPDM *	66947
315	300	05 14 315 EPDM *	66948
400	353	05 14 400 EPDM *	05345
500	475	05 14 402 EPDM *	05346


H	E	a	F
2,5	93	34	16 x 4
2,5	103	41	19 x 4
2,5	115	50	22 x 4
2,5	140	100	20 x 4
2,5	150	110	20 x 4
2,5	165	125	20 x 4
2,5	185	145	20 x 4
2,5	200	160	20 x 8
2,5	220	180	20 x 8
2,5	245	210	20 x 8
2,5	250	210	20 x 8
2,5	285	240	22 x 8
2,5	335	295	22 x 8
2,5	340	295	22 x 8
2,5	395	350	22 x 12
2,5	440	400	22 x 12
2,5	565	515	22 x 16
2,5	660	620	25 x 20

* Distributed product
* Producto comercializado

BOLTS TORNILLERÍA

Required bolt size depending on each application of the flange:
butterfly valve, coupling or swing check valve.

Modelo y tamaño necesario de tornillería para cada una de las aplicaciones
de la brida: válvula de mariposa, enlace o válvula de clapeta.



Flange set (loose flange)
Enlace bridas (brida loca)


Industrial ball valve with loose flanges
Válvula de bola Industrial con bridas locas

FLANGE SIZE	SCREW SIZE	UNITS	CODE	CODE
			5,6 zinc plated steel	A2 stainless steel
D20, D25	M12 x 60	4	16061	60515
D32	M12 x 60	4	16061	60515
D40	M16 x 70	4	02437	60516
D50	M16 x 80	4	02437	60516
D63	M16 x 80	4	02438	60517
D75	M16 x 90	4	02439	60518
D90	M16 x 90	8	02439	60518
D110	M16 x 100	8	66775	66783
D125	M16 x 110	8	66776	66784
D140	M16 x 120	8	02440	60519
D160	M20 x 130	8	66778	66786
D200	M20 x 140	8	66779	66787
D225	M20 x 140	8	66779	66787
D250	M20 x 140	12	66779	66787
D280	M20 x 150	12	66780	66788
D315	M20 x 160	12	02448	60535
D400	M24 x 160	12	66782	66790
D500	M24 x 140	12	66781	66789




Flange set (fix flange)
Enlace bridas (brida fija)

FLANGE SIZE	SCREW SIZE	UNITS	CODE	CODE
			5,6 zinc plated steel	A2 stainless steel
D20, D25	M 12 x 60	4	16061	60515
D32	M 12 x 60	4	16061	60515
D40	M 16 x 70	4	02437	60516
D50	M 16 x 70	4	02437	60516
D63	M 16 x 70	4	02437	60516
D75	M 16 x 70	4	02437	60516
D90	M 16 x 70	8	02437	60516
D110	M 16 x 80	8	02438	60517
D125	M 16 x 80	8	02438	60517
D140	M 16 x 90	8	02439	60518
D160	M 20 x 90	8	02446	60533
D200	M 20 x 110	8	02447	60534
D225	M 20 x 110	8	02447	60534




Butterfly valve (loose flange)
Válvula mariposa (brida loca)

FLANGE SIZE	SCREW SIZE	UNITS	CODE	CODE
			5,6 zinc plated steel	A2 stainless steel
D63	M 16 x 120	4	02440	60519
D75	M 16 x 140	4	02442	60526
D90	M 16 x 150	8	02443	60527
D110	M 16 x 160	8	02444	60528
D125	M 16 x 170	8	02445	60529
D140	M 16 x 170	8	02445	60529
D160	M 20 x 200	8	20263	60538
D200	M 20 x 210	8	02451	60539
D225	M 20 x 230	8	02452	60547
D250	M 20 x 270	12	07721	60548
D280	M 20 x 270	12	07721	60548
D315	M 20 x 310	12	07722	60549



Butterfly valve (fix flange)
Válvula mariposa (brida fija)

FLANGE SIZE	SCREW SIZE	UNITS	CODE	CODE
			5,6 zinc plated steel	A2 stainless steel
D63	M 16 x 120	4	02440	60519
D75	M 16 x 120	4	02440	60519
D90	M 16 x 130	8	02441	60525
D110	M 16 x 130	8	02441	60625
D125	M 16 x 140	8	02442	60526
D140	M 16 x 150	8	02443	60527
D160	M 20 x 160	8	02448	60535
D200	M 20 x 180	8	02449	60536
D225	M 20 x 190	8	02450	60537



Swing check valve (loose flange)
Válvula de clapeta (brida loca)

FLANGE SIZE	SCREW SIZE	UNITS	CODE	CODE
			5,6 zinc plated steel	A2 stainless steel
D75	M 16 x 120	4	02440	60519
D90	M 16 x 120	8	02440	60519
D110	M 16 x 120	8	02440	60519
D125	M 16 x 130	8	02441	60525
D140	M 16 x 130	8	02441	60525
D160	M 20 x 160	8	02448	60535
D200	M 20 x 180	8	02448	60535
D225	M 20 x 180	8	02449	60536
D250	M 20 x 210	12	02451	60539
D315	M 20 x 230	12	02452	60547

* Valid for Industrial, Standard and Classic Series

* Válido para Serie Industrial, Standard y Classic

PVC-U UNIONS ENLACES 3 PIEZAS PVC-U

Unions are the preferred choice over flange adaptors for the connection of plastic pipes. With no metal parts, there is no corrosion and the weight is also reduced.

They are only available in small sizes (up until D110).

The union ends are manufactured in plain ends for solvent socket or thread always according the sizing standards, doing this system appropriate to adapt to other elements or systems. Cepex unions feature an o-ring in order to ensure better unions, so it is not needed the use of PTFE tape between nut and union end (it is only needed in the threaded ends).

They are not recommended when connected to pipe under bending stress.

The union nut should be tightened by hand. Must use a strap wrench for big sizes (D75, D90, D110).

With this type of unions, it is possible to mix several plastic materials.

Cuando hay que unir plásticos, éstos son preferidos a las bridas, ya que no contienen ninguna parte de metal y el diámetro exterior es más reducido.

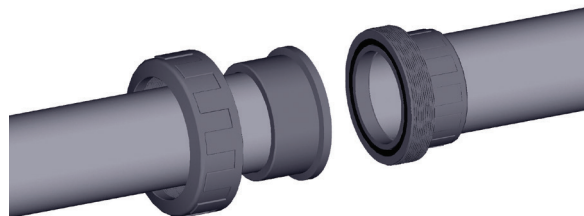
En contrapartida sólo están disponibles para diámetros pequeños (hasta D110).

Los manguitos de conexión están fabricados en terminaciones lisas de encolado o roscadas, siempre bajo normativas standards, haciendo posible la adaptación a otros componentes (incluso de materiales distintos).

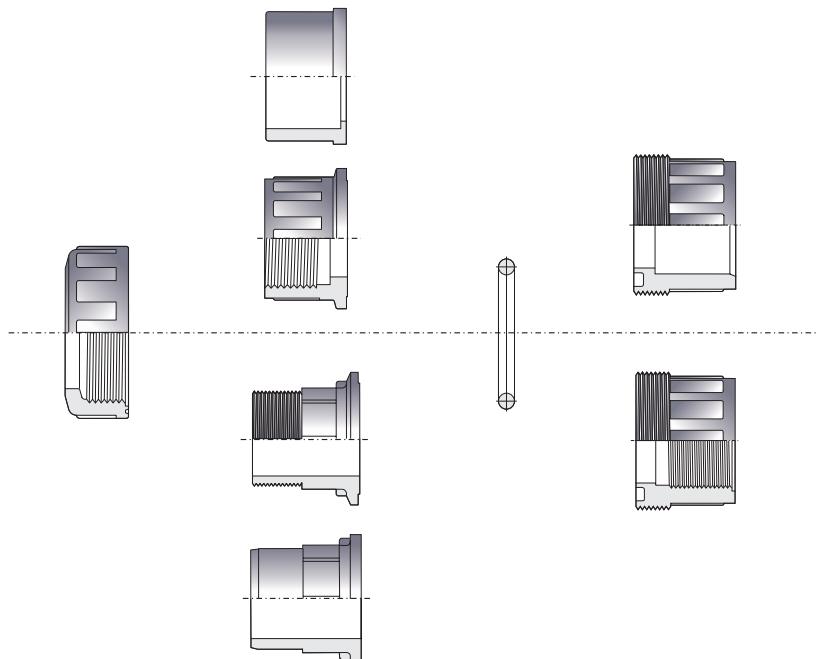
Los enlaces 3 piezas Cepex incorporan junta para asegurar estanqueidad entre los dos manguitos de la unión, por lo que no debe usarse cinta de PTFE entre tuerca y manguito (usar cinta de PTFE solamente en las terminaciones de manguito roscadas). No son recomendables cuando el tubo tenga que estar sometido a fuerza de flexión (debido a posibles desalineaciones).

No es necesario el uso de ninguna herramienta, se rosca con las manos. Usar llave de cinta en diámetros grandes (D75, D90, D110).

Mediante estos enlaces, se pueden combinar diferentes tipos de plásticos.



CONNECTION POSSIBILITIES POSIBILIDADES DE CONEXIÓN



Available standards

Solvent socket: metric, BS, ASTM
Threaded: BSP, NPT

Standards disponibles

Encolar: métrico, BS, ASTM
Roscar: BSP, NPT

Ask for other types of unions or other materials (PP, PE100...)
Consultar otros tipos de conexión o materiales (PP, PE100...)

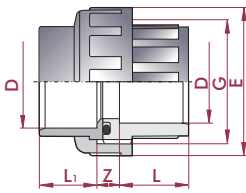
UP. 50. SF - UNION

Union

- Female solvent socket
- Metric series
- EPDM o-ring

Enlace 3 piezas

- Encolar hembra
- Serie métrica
- Anillo tórico en EPDM



D	DN	PN	REF.	CODE
16	12	16	05 50 016	20157
20	15	16	05 50 020	02327
25	20	16	05 50 025	02328
32	25	16	05 50 032	02329
40	32	16	05 50 040	02330
50	40	16	05 50 050	02331
63	50	16	05 50 063	02332
75	65	10	05 50 075	02333
90	80	10	05 50 090	02334
110	100	10	05 50 110	02335

L	L ₁	Z	G	E	o-ring
14	14	13	¾"	34	15,5 x 2,6
16	16	13	1"	41	20,2 x 3,5
19	19	13	1¼"	52	28,2 x 3,5
22	22	13	1½"	60	32,9 x 3,5
26	26	15	2"	74	40,6 x 5,3
31	31	17	2¼"	80	47,0 x 5,3
38	38	21	2¾"	99	59,7 x 5,3
44	44	21	3½"	120	75,6 x 5,3
51	51	24	4"	138	91,4 x 5,3
61	61	26	5½"	179	110,5x5,3

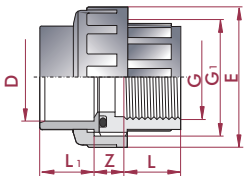
UP. 50. SFT - UNION ADAPTOR

Union adaptor

- Female solvent socket x BSP female thread
- Metric series
- EPDM o-ring

Enlace 3 piezas mixto

- Encolar hembra x rosca hembra BSP
- Serie métrica
- Anillo tórico en EPDM



D x G	DN	PN	REF.	CODE
16 x ¾"	12	10	05 50 416	20158
20 x ½"	15	10	05 50 420	02336
25 x ¾"	20	10	05 50 425	02337
32 x 1"	25	10	05 50 432	02338
40 x 1¼"	32	10	05 50 440	02339
50 x 1½"	40	10	05 50 450	02340
63 x 2"	50	10	05 50 463	02341
75 x 2½"	65	10	05 50 475	02342
90 x 3"	80	10	05 50 490	02343
110 x 4"	100	10	05 50 510	02344

L	L ₁	Z	G ₁	E	o-ring
14	14	13	¾"	34	15,5 x 2,6
16	16	13	1"	41	20,2 x 3,5
19	19	13	1¼"	52	28,2 x 3,5
22	22	13	1½"	60	32,9 x 3,5
26	26	15	2"	74	40,6 x 5,3
31	31	17	2¼"	80	47,0 x 5,3
38	38	21	2¾"	99	59,7 x 5,3
44	44	21	3½"	120	75,6 x 5,3
51	51	24	4"	138	91,4 x 5,3
61	61	26	5½"	179	110,5x5,3

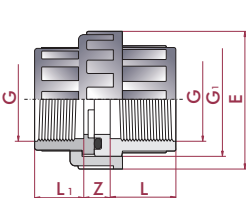
UP. 50. FT - UNION

Union

- BSP female thread
- EPDM o-ring

Enlace 3 piezas

- Rosca hembra BSP
- Anillo tórico en EPDM



G	DN	PN	REF.	CODE
¾"	12	10	05 50 616	20159
½"	15	10	05 50 620	02345
¾"	20	10	05 50 625	02346
1"	25	10	05 50 632	02347
1¼"	32	10	05 50 640	02348
1½"	40	10	05 50 650	02349
2"	50	10	05 50 663	02350
2½"	65	10	05 50 675	07713
3"	80	10	05 50 690	07714
4"	100	10	05 50 710	07715

L	L ₁	Z	G ₁	E	o-ring
14	12	13	¾"	34	15,5 x 2,6
16	15	12	1"	41	20,2 x 3,5
19	17	12	1¼"	52	28,2 x 3,5
22	20	14	1½"	60	32,9 x 3,5
26	24	16	2"	74	40,6 x 5,3
31	25	18	2¼"	80	47,0 x 5,3
38	29	20	2¾"	99	59,7 x 5,3
44	34	21	3½"	120	75,6 x 5,3
51	37	24	4"	138	91,4 x 5,3
61	42	26	5½"	179	110,5x5,3

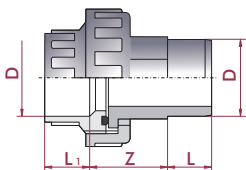
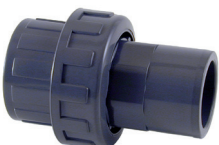
UP. 51. SMF - UNION

Union

- Male x female solvent socket
- Metric series
- EPDM o-ring

Enlace 3 piezas

- Encolar macho x hembra
- Serie métrica
- Anillo tórico en EPDM



D	DN	PN	REF.	CODE
50	40	10	05 51 050	02351
63	50	10	05 51 063	02352

L	L ₁	Z
31	31	48
38	38	62

FPM o-rings available upon request.
Juntas en FPM disponibles bajo pedido.

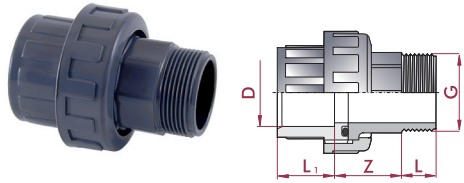
UP. 51. SMT - UNION ADAPTOR

Union adaptor

- Female solvent socket x BSP male thread
- Metric series
- EPDM o-ring

Enlace 3 piezas mixto

- Encolar hembra x roscar macho BSP
- Serie métrica
- Anillo tórico en EPDM



D x G	DN	PN	REF.	CODE
16 x 3/8"	12	10	05 51 416	20160
20 x 1/2"	15	10	05 51 420	02353
25 x 3/4"	20	10	05 51 425	02354
32 x 1"	25	10	05 51 432	02355
40 x 1 1/4"	32	10	05 51 440	02356
50 x 1 1/2"	40	10	05 51 450	02357
63 x 2"	50	10	05 51 463	02358
75 x 2 1/2"	65	10	05 51 475	02359
90 x 3"	80	10	05 51 490	02360
110 x 4"	100	10	05 51 510	02361

L ₁	L	Z
14	12	29
16	15	33
19	16	35
22	19	40
26	21	40
31	21	48
38	28	62
44	30	70
51	33	62
61	40	70

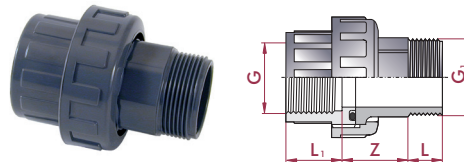
UP. 51. MFT - UNION

Union

- BSP female x male thread
- EPDM o-ring

Enlace 3 piezas

- Roscar hembra x macho BSP
- Anillo tórico en EPDM



G x G ₁	DN	PN	REF.	CODE
3/8" x 3/8"	12	10	05 51 616	20161
1/2" x 1/2"	15	10	05 51 620	02362
3/4" x 3/4"	20	10	05 51 625	02363
1" x 1"	25	10	05 51 632	02364
1 1/4" x 1 1/4"	32	10	05 51 640	02365
1 1/2" x 1 1/2"	40	10	05 51 650	02366
2" x 2"	50	10	05 51 663	02367
2 1/2" x 2 1/2"	65	10	05 51 675	02368
3" x 3"	80	10	05 51 690	02369
4" x 4"	100	10	05 51 710	02370

L ₁	L	Z
14	12	30
16	15	33
19	16	35
22	19	40
26	21	40
31	21	48
38	28	62
44	30	70
51	33	62
61	40	70

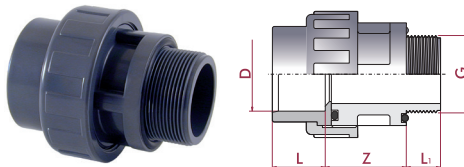
UP. 51. SMT2 - UNION ADAPTOR

Union adaptor

- Female solvent socket x BSP male thread
- Metric series
- EPDM o-ring

Enlace 3 piezas mixto

- Encolar hembra x roscar macho BSP
- Serie métrica
- Anillo tórico en EPDM



D x G	DN	PN	REF.	CODE
50 x 1 1/2"	40	10	05 51 250	07716
50 x 2"	40	10	05 51 251	26638
63 x 2"	50	10	05 51 263	07717

L	L ₁	Z
31	21	49
31	26	46
38	26	51

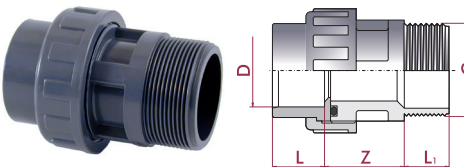
UP. 51. SFMT - UNION

Union adaptor

- Female solvent socket x BSP male thread
- Metric series
- EPDM o-ring

Enlace 3 piezas mixto

- Encolar hembra x roscar macho BSP
- Serie métrica
- Anillo tórico en EPDM



D x G	DN	PN	REF.	CODE
50 x 2"	40	10	05 51 451	09033

L	L ₁	Z
31	28	49

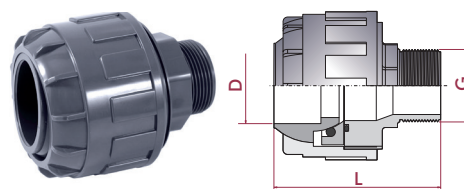
UP. 57. SFMT - SELF-ALIGN UNION

Self-align union

- Max. misalignment ±4°
- Female solvent socket x BSP male thread
- Metric series

Manguito orientable

- Desalineación max. ±4°
- Encolar hembra x roscar macho BSP
- Serie métrica



D x G	DN	PN	REF.	CODE
50 x 1 1/2"	40	10	05 57 550	18874

L
110

FITTINGS FOR UNIONS ACCESORIOS ENLACES 3 PIEZAS

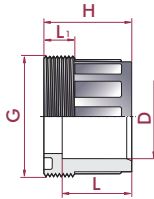
UP. 21. SFMT - ADAPTOR BUSH UNION

Adaptor union bush

- Female solvent socket x BSP male thread
- Metric series

Manguito enlace mixto

- Encolar hembra x roscar macho BSP
- Serie métrica



D x G	DN	PN	REF.	CODE
20 x 1"	15	10	05 21 420	02148
25 x 1¼"	20	10	05 21 425	02150
32 x 1½"	25	10	05 21 432	02151
40 x 2"	32	10	05 21 440	02153
50 x 2½"	40	10	05 21 450	02154
63 x 2¾"	50	10	05 21 463	02156
75 x 3½"	65	10	05 21 475	02157
90 x 4"	80	10	05 21 490	02158
110 x 5½"	100	10	05 21 510	02159

L	L ₁	H
16	10	26
19	11	29
22	12	32
28	15	39
31	16	46
38	18	56
44	18	62
51	18	69
61	31	79

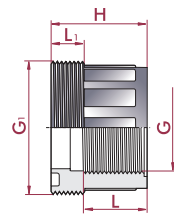
UP. 21. MFT - UNION BUSH

Union bush

- BSP male x female thread

Manguito enlace

- Roscar macho x hembra BSP



G ₁ x G	DN	PN	REF.	CODE
1" x ½"	15	10	05 21 620	02160
1¼" x ¾"	20	10	05 21 625	02162
1½" x 1"	25	10	05 21 632	02163
2" x 1¼"	32	10	05 21 640	02165
2¼" x 1½"	40	10	05 21 650	02166
2¾" x 2"	50	10	05 21 663	02168
3½" x 2½"	65	10	05 21 675	02169
4" x 3"	80	10	05 21 690	02170
5½" x 4"	100	10	05 21 710	02171

L	L ₁	H
16	10	26
19	11	29
22	12	32
30	15	39
31	16	46
38	18	56
44	18	62
51	18	69
61	31	79

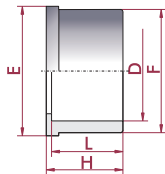
UP. 22. SF - UNION END

Union end

- Female solvent socket
- Metric series

Manguito enlace

- Encolar hembra
- Serie métrica



D	DN	PN	REF.	CODE
16	10	16	05 22 016	20229
20	15	16	05 22 020	02172
25	20	16	05 22 025	02173
32	25	16	05 22 032	02174
40	32	16	05 22 040	02175
50	40	16	05 22 050	02176
63	50	16	05 22 063	02177
75	65	16	05 22 075	02178
90	80	16	05 22 090	02179
110	100	16	05 22 110	02180

L	E	H	F
14	24	17	22
16	30	19	27
19	39	22	36
22	45	25	41
26	56	29	53
31	63	34	59
38	78	41	74
44	97	47	92
51	110	56	105
61	147	66	131

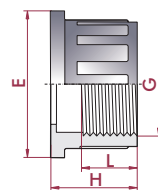
UP. 22. FT - UNION END

Union end

- BSP female thread
- Metric series

Manguito enlace

- Roscar hembra
- Serie métrica



G	DN	PN	REF.	CODE
¾"	10	10	05 22 616	20230
½"	15	10	05 22 620	16310
¾"	20	10	05 22 625	16311
1"	25	10	05 22 632	16312
1¼"	32	10	05 22 640	16313
1½"	40	10	05 22 650	16314
2"	50	10	05 22 663	16315
2½"	65	10	05 22 675	16316
3"	80	10	05 22 690	16317
4"	100	10	05 22 710	16318

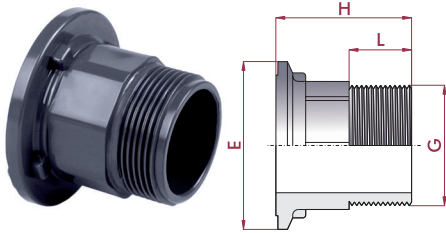
L	H	E
12	17	24
15	21	30
17	23	39
20	26	45
24	30	56
25	35	63
29	42	78
34	48	97
37	57	110
42	69	146

UP. 22. MT - UNION END
Union end

- BSP male thread

Manguito

- Roscar macho BSP



G	PN	REF.	CODE
3/8"	10	05 22 416	25959
1/2"	10	05 22 420	25960
3/4"	10	05 22 425	25961
1"	10	05 22 432	25962
1 1/4"	10	05 22 440	25963
1 1/2"	10	05 22 450	25964
2"	10	05 22 463	25965
2 1/2"	10	05 22 475	25966
3"	10	05 22 490	25967
4"	10	05 22 510	25968

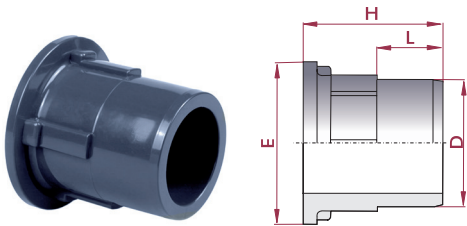
L	H	E
12	33	24
15	38	30
16	41	39
19	48	45
21	50	57
21	57	63
28	70	78
30	72	97
33	77	110
40	98	147

UP. 22. SM - UNION END
Union end

- Male solvent socket
- Metric series

Manguito

- Encolar macho
- Serie métrica



D	PN	REF.	CODE
50	16	05 22 250	25957
63	16	05 22 263	25958

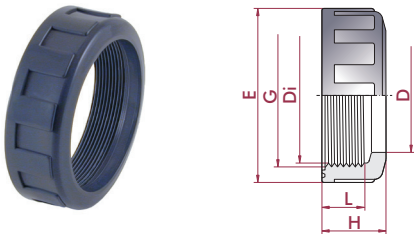
L	H	E
31	66	63
38	80	78

UP. 23. FT - UNION NUT
Union nut

- BSP female thread

Tuerca

- Roscar hembra BSP



G	PN	REF.	CODE
3/4" (3/4")	10	05 23 625	02187
1" (1/2")	10	05 23 632	02188
1 1/4" (3/4")	10	05 23 640	02189
41,5	10	05 23 641	02190
1 1/2" (1")	10	05 23 650	02191
2" (1 1/4")	10	05 23 663	02192
2 1/4" (1 1/2")	10	05 23 664	02193
2"	10	05 23 665	02194
2 1/2"	10	05 23 675	02195
2 3/4" (2")	10	05 23 676	02196
3 1/2" (2 1/2")	10	05 23 692	02197
4" (3")	10	05 23 710	02198
5 1/2" (4")	10	05 23 741	02199

L	H	E	D	Di
15	20	36	22	24
15	20	41	27	30
16	22	52	36	39
12	18	53	33	39
20	26	60	41	45
21	26	74	53	57
22	30	80	59	63
19	28	70	46	54
18	27	90	64	72
28	36	99	74	78
28	36	120	92	97
28	38	133	105	110
41	56	177	131	148

The size of the corresponding union is indicated in brackets.

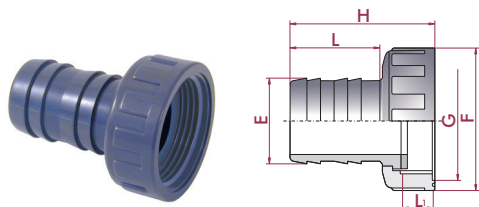
Entre paréntesis se indica la medida del enlace 3 piezas correspondiente.

PVC-U SPIGOTS ENLACES ESPIGA PVC-U

UP. 55. SPI - SPIGOT UNION

Spigot and nut union

Conjunto espiga y tuerca



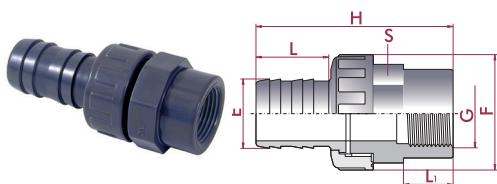
E x G	REF.	CODE
16 x 3/4"	05 55 016	02399
18 x 3/4"	05 55 018	02400
20 x 3/4"	05 55 020	02401
25 x 1"	05 55 025	02402
20 x 1"	05 55 026	15764
30 x 1 1/4"	05 55 032	02403
40 x 1 1/2"	05 55 040	02404
50 x 2"	05 55 050	02405
38 x 2"	05 55 051	02406
60 x 2 1/2"	05 55 063	02407

H	F	L	L ₁
46	36	35	10
46	36	35	10
49	36	38	10
56	41	42	10
51	41	36	10
66	52	47	10
73	60	52	14
82	74	57	14
82	74	57	14
88	90	60	18

UP. 55. SPIFT - SPIGOT UNION

Spigot union female threaded

Enlace espiga rosca hembra



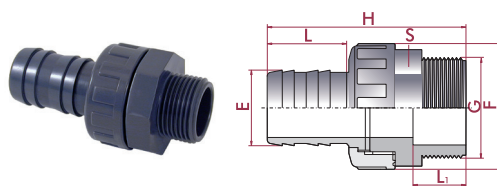
E x G	REF.	CODE
16 x 3/8"	05 55 416	02408
18 x 1/2"	05 55 418	02409
20 x 1/2"	05 55 420	02410
25 x 3/4"	05 55 425	02411
30 x 1"	05 55 432	02412
40 x 1 1/4"	05 55 440	02413
50 x 1 1/2"	05 55 450	02414
38 x 1 1/2"	05 55 451	02415
60 x 2"	05 55 463	02416

H	F	S	L	L ₁
66	36	32	35	14
70	36	32	35	18
73	36	32	38	18
81	41	36	42	19
98	52	46	47	25
106	61	55	52	25
116	74	65	57	25
116	74	65	57	25
127	90	80	60	29

UP. 55. SPIMT - SPIGOT UNION

Spigot union male threaded

Enlace espiga rosca macho



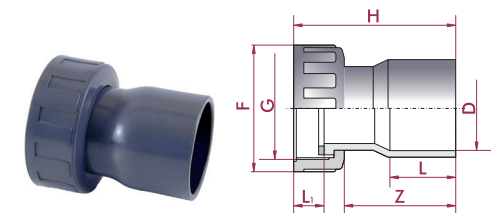
E x G	REF.	CODE
16 x 3/8"	05 55 616	02417
18 x 1/2"	05 55 618	02418
20 x 1/2"	05 55 620	02419
25 x 3/4"	05 55 625	02420
30 x 1"	05 55 632	02421
40 x 1 1/4"	05 55 640	02422
50 x 1 1/2"	05 55 650	02423
38 x 1 1/2"	05 55 651	02424
60 x 2"	05 55 663	02425

H	F	S	L	L ₁
66	36	32	35	14
70	36	32	35	18
73	36	32	38	18
81	41	36	42	19
98	52	46	47	25
106	61	55	52	25
116	74	65	57	25
116	74	65	57	25
127	90	80	60	29

UP. 56. SF - FITTING CONNECTION

Fitting connection
• Female solvent socket
• Metric series

Conjunto raccord conexión
• Encolar hembra
• Serie métrica



D x G	PN	REF.	CODE
40 x 2"	16	05 56 440	05350
50 x 1 1/2"	16	05 56 451	75937
50 x 2"	16	05 56 450	75938

L	Z	H	F	L ₁
26	16	46	75	17
32	64	91	60	13
32	64	103	75	17

PVC-U MANIFOLD FITTINGS

COLECTORES PVC-U

- Manifold fittings specially designed for the fast connection of 1" threaded elements, like electric valves assemblies, water supply, etc.
- Allowing fast and trouble-free installations.
- Available sizes: 1"
- Material: PVC-U
- PN 10 (150 psi)

Most irrigation systems need multiple watering stations, either for small residential areas, large landscapes or agriculture areas. At home one might have separate stations for the lawn and flower beds or there may not be enough water to irrigate the whole garden at the same time. This is when a series of valves is required.

These valves need to be connected together to the same source of water. The older ways were to create a manifold with costly galvanised metal or permanent assemblies.

Now with Cepex manifold fittings the job can be done:

- easier: no tools are required
- quicker: all parts are made to fit into each other
- more flexible: easy to change once assembled

- Accesorios colectores especialmente diseñados para la conexión rápida de elementos roscados de 1", tales como instalaciones con electroválvulas, suministro de agua, etc.
- Permiten realizar instalaciones con total facilidad y rapidez.
- Medidas disponibles: 1"
- Material: PVC-U
- PN 10 (150 psi)

La mayoría de sistemas de riego, ya sean pequeños para riego residencial o de mayores dimensiones para riego de zonas verdes o agrícola, requieren del uso de múltiples estaciones de riego.

En casa, es probable disponer de estaciones separadas para el césped y para las plantas, o puede no estar disponible la suficiente agua para regar todo el jardín a la vez. Es en estos casos que se requiere de series de válvulas.

Estas válvulas necesitan ser conectadas al mismo punto de suministro de agua. Antiguamente se instalaban colectores de metal galvanizado de alto coste o con montajes permanentes.

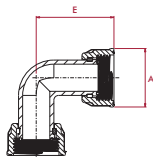
Ahora con los accesorios para colectores Cepex, este trabajo puede hacerse de una forma más:

- fácil: no se requieren herramientas
- rápida: todos los componentes están fabricados para encajar entre ellos
- flexible: es fácil hacer cambios una vez montados

UP. 01. MFD. FF - MANIFOLD ELBOW

- 90° elbow**
• Female/female

- Codo 90°**
• Hembra/hembra



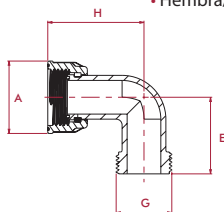
G	PN	REF.	CODE
1"	10	72 01 632	41850

A	E
43	57

UP. 01. MFD. FM - MANIFOLD ELBOW

- 90° elbow**
• Female/male

- Codo 90°**
• Hembra/macho



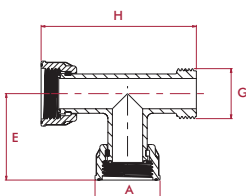
G	PN	REF.	CODE
1"	10	72 01 432	41851

A	E	H
43	46	57

UP. 03. MFD. FFM - MANIFOLD TEE

- 90° tee**
• Female/female/male

- Té 90°**
• Hembra/hembra/macho



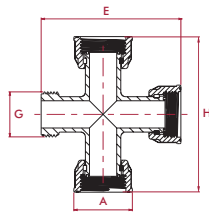
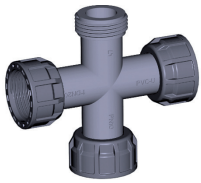
G	PN	REF.	CODE
1"	10	72 03 432	41852

A	E	H
43	57	102

UP. 28. MFD. FFFM - MANIFOLD CROSS

Cross
• Female/female//female/male

Cruz
• Hembra/hembra/hembra/macho



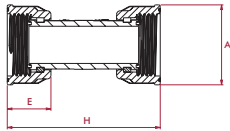
G	PN	REF.	CODE
1"	10	72 28 432	41853

A	E	H
43	103	114

UP. 05. MFD. FF - MANIFOLD SOCKET

Socket
• Female/female

Manguito
• Hembra/hembra



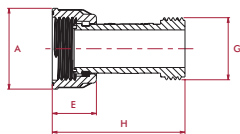
G	PN	REF.	CODE
1"	10	72 05 632	41854

A	E	H
43	24	82

UP. 05. MFD. FM - MANIFOLD SOCKET

Socket
• Female/male

Manguito
• Hembra/macho



G	PN	REF.	CODE
1"	10	72 05 432	41855

A	E	H
43	24	71

UP. 18. MFD. MT - MANIFOLD NIPPLE

Nipple
• Male threaded

Machón doble rosca
• Roscar macho



G	PN	REF.	CODE
1"	10	72 18 032	41856

UP. 33. MFD. MTR - MANIFOLD REDUCING NIPPLE

Reducing nipple
• Male threaded

Machón reducido
• Roscar macho

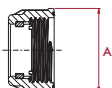


G	PN	REF.	CODE
1"	10	72 33 432	41857

UP. 07. MFD. FT - MANIFOLD CAP

Cap
• Female thread

Tapón
• Roscar hembra



G	PN	REF.	CODE
1"	10	72 07 032	41861

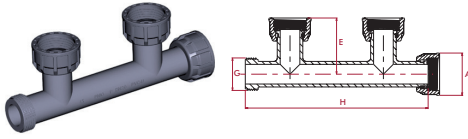
A
43

UP. 26. MFD. 2OUT - MANIFOLD
2-outlet manifold

- 3 Female thread x 1 male thread

Colector PVC-U 2 salidas

- 3 Rosca hembra x 1 rosca macho



G	PN	REF.	CODE
1"	10	72 26 232	41858

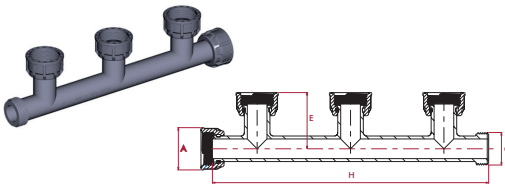
A	E	H
43	57	186

UP. 26. MFD. 3OUT - MANIFOLD
3-outlet manifold

- 4 Female thread x 1 male thread

Colector PVC-U 3 salidas

- 4 Rosca hembra x 1 rosca macho



G	PN	REF.	CODE
1"	10	72 26 332	41859

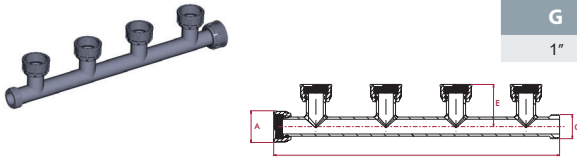
A	E	H
43	57	281

UP. 26. MFD. 4OUT - MANIFOLD
4-outlet manifold

- 5 Female thread x 1 male thread

Colector PVC-U 4 salidas

- 5 Rosca hembra x 1 rosca macho



G	DN	PN	REF.	CODE
1"	20	10	72 26 432	41860

A	E	H
43	57	388

SIGHT GLASSES VISORES DE LÍQUIDOS

- Element necessary to show the passage of liquid through an installation, as well as the visualization of the state of the liquid (degree of turbidity).
- Two models available, with the viewer in different materials (PMMA or SAN).

- Elemento necesario para mostrar el paso de líquido por una instalación, así como la visualización del estado del líquido (grado de turbidez).
- Dos modelos disponibles, con el visor en distintos materiales (PMMA o SAN).

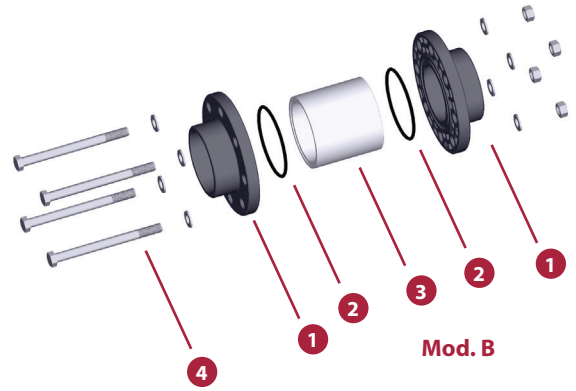
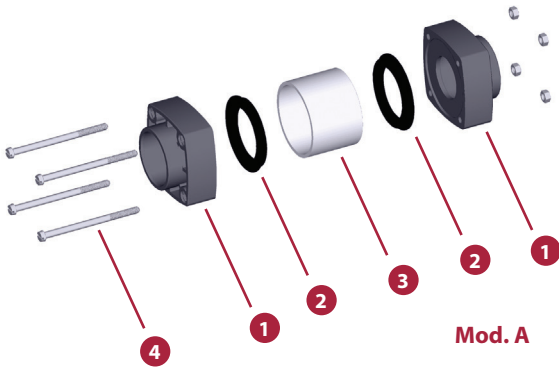
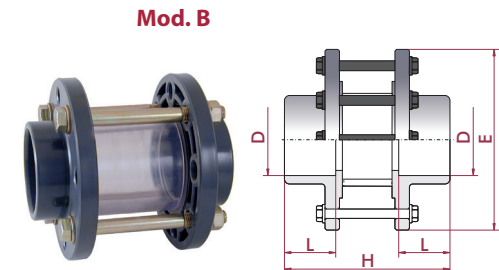
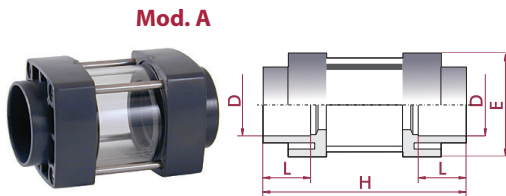


FIG.	Parts	Despiece	Material
1	Union / flange	Manguito / brida	PVC-U
2	O-ring	Junta	EPDM
3	Viewer	Visor	PMMA / SAN
4	Bolts	Tornillos	Zinc plated steel

UP. 54. SF

- Material:
D50 - D63: PMMA (Mod. A)
D75 - D225: SAN (Mod. B)
- 4 bolts
- Female solvent socket
- Metric series

- Material:
D50 - D63: PMMA (Mod. A)
D75 - D225: SAN (Mod. B)
- 4 tornillos
- Encolar hembra
- Serie métrica



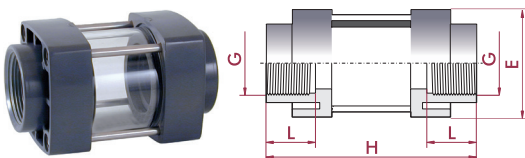
D	DN	PN	REF.	CODE
50	40	6	05 54 050	02387
63	50	6	05 54 063	02388
75	65	10	05 54 075	02389
90	80	10	05 54 090	02390
110	100	10	05 54 110	02391
125	110	10	05 54 125	02392
140	125	10	05 54 140	02393
160	150	10	05 54 160	02394
200	175	10	05 54 200	02395
225	200	10	05 54 225	02396

L	H	E	Mod.
31	125	80	A
38	154	92	A
44	165	185	B
51	180	200	B
61	250	220	B
69	280	230	B
76	310	250	B
86	360	285	B
106	420	315	B
119	500	340	B

UP. 54. FT

- Material: PMMA
- 4 bolts
- BSP female thread

- Material: PMMA
- 4 tornillos
- Roscar hembra BSP



D	DN	PN	REF.	CODE
1½"	40	6	05 54 650	02397
2"	50	6	05 54 663	02398

L	H	E
31	130	80
38	159	92

FLOWMETERS - ROTAMETER CAUDALÍMETROS - ROTÁMETROS

FEATURES

Flowmeters are transparent tubes with conical shape (narrow in its lower part and wider in the upper); they are installed in a perfectly vertical position along with the pipe of which we want to know the flow.

Within the tube there is a stainless steel floater, that will move upwards reaching a specific height depending on the weight of the floater and water pressure.

Thus, the greater is the flow, the higher will the floater move, marking a flow (l/h or GPM) in the scale which is stamped on the transparent tube.

- Available models from 10 to 1000 l/h (0,04 - 4,4 GPM).
- Assembly in vertical position.
- Union bushes in PVC-U.
- Tube in Styrene Methyl Methacrylate Copolymer.
- Measuring tube available in Polysulfon, Trogamid T[®], etc. upon request.
- Float stops in PVDF and floats in AISI 316.
- Maximum working temperature: 55°C (131°F) according to standards VDE / VDI 3513, class 6.
- Maximum pressure 15 bar.
- Two visible scales on each meter: l/h and GPM.
- Available upon request: limit switches and transmitters.
- Applications: process control in water treatment, osmosis, heating and refrigeration systems, chemical industries, pharmaceuticals, etc.

CARACTERÍSTICAS

Los caudalímetros son tubos transparentes con forma cónica (estrecho en su zona inferior y más ancho en su zona superior); se instalan en posición perfectamente vertical en serie con la tubería de la que se quiere conocer el caudal.

Dentro del tubo se encuentra un flotador de acero inoxidable, que se desplazará hacia arriba alcanzando una altura concreta que dependerá del peso del flotador y del empuje del agua.

Así, cuanto mayor es el caudal, más arriba se posicionará el flotador, marcando un caudal (l/h o GPM) en la escala que se encuentra marcada en el tubo transparente.

- Modelos disponibles desde 10 hasta 1000 l/h (0,04 - 4,4 GPM).
- Montaje en posición vertical.
- Racordaje en PVC-U.
- Tubo en metacrilato de metilo.
- Bajo pedido tubo de medida disponible en Polisulfon, Trogamid T[®], etc.
- Topes de flotador en PVDF.
- Flotador en AISI 316.
- Temperatura máxima de trabajo: 55°C (131°F) según normas VDE / VDI 3513, classe 6.
- Presiones hasta 15 bar.
- Doble escala visible en cada caudalímetro: l/h y GPM.
- Disponibles bajo pedido: automatismos y transmisores eléctricos.
- Aplicaciones: control de procesos en tratamiento de agua, osmosis, calefacción y refrigeración, industrias químicas, farmacéuticas, etc.

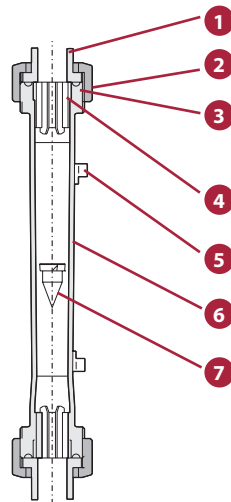
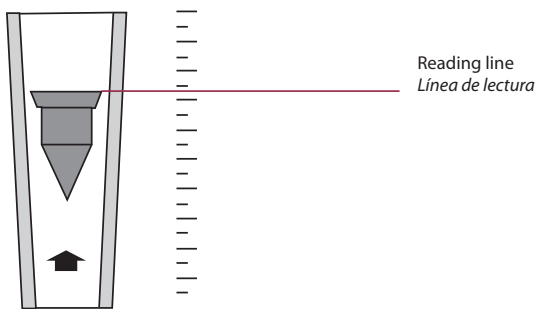


FIG.	Parts	Despiece	Material
1	Union end	Manguito enlace	PVC-U
2	Union nut	Tuerca	PVC-U
3	O-ring seal	Junta tórica	EPDM
4	Stops	Topes	PVDF
5	Indicator	Indicador	PE
6	Measuring tube	Tubo de medida	Methacrylate
7	Float	Flotador	AISI 316

OPERATION



FUNCIONAMIENTO

Chemical resistance chart
Tabla de resistencias químicas

Polymer type	Copolymer of styrene and methacrylate
Nomenclature	SMMA
CHEMICAL RESISTANCE	
Acetone	x
Unsaturated Oil	x
Saturated Oil	C
Mineral Oil	✓
Olive Oil	✓
Alcohol low molecular weight	C
Alcohol high molecular weight	✓
Diluted inorganic acid	✓
Concentrated inorganic acid	✓
Halogenated compound	x
Gasoline	x
Benzene	x
Toluene	x
Bleach	✓
Detergent	✓
Inorganic salts	✓

C: Conditioned resistance. In some cases the material may turn yellow, loose transparency or micro fissures could appear.

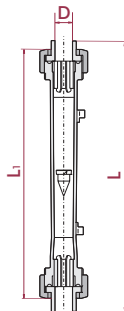
C: Resistencia condicional. En algunos casos puede darse amarillamiento, pérdida de la transparencia o formación de micro fisuras.

UP. 92. SF. M - FLOWMETER
Flowmeter

- Tube in Styrene Methyl Methacrylate Copolymer
- Female solvent socket

Caudalímetro

- Tubo en metacrilato de metilo
- Encolar hembra



D	DN	REF.	CODE
20	15	05 92 020A	20205
20	15	05 92 020B	20206
20	15	05 92 020C	20207
25	20	05 92 025A	20208
25	20	05 92 025B	20209
25	20	05 92 025C	20210

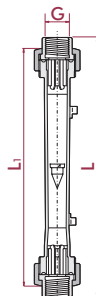
GPM	l/h	L	L ₁
0,04 - 0,44	10 - 100	232	198
0,06 - 0,66	16 - 160	232	198
0,1 - 1,1	25 - 250	232	198
0,2 - 1,8	40 - 400	232	198
0,3 - 2,7	60 - 630	232	198
0,4 - 4,4	100 - 1000	232	198

UP. 92. FT. M - FLOWMETER
Flowmeter

- Tube in Styrene Methyl Methacrylate Copolymer
- BSP female thread

Caudalímetro

- Tubo en metacrilato de metilo
- Roscar hembra BSP



G	DN	REF.	CODE
½"	15	05 92 620A	20211
½"	15	05 92 620B	20212
½"	15	05 92 620C	20213
¾"	20	05 92 625A	20214
¾"	20	05 92 625B	20215
¾"	20	05 92 625C	20216

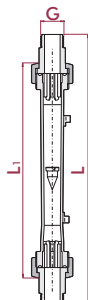
GPM	l/h	L	L ₁
0,04 - 0,44	10 - 100	232	198
0,06 - 0,66	16 - 160	232	198
0,1 - 1,1	25 - 250	232	198
0,2 - 1,8	40 - 400	232	198
0,3 - 2,7	60 - 630	232	198
0,4 - 4,4	100 - 1000	232	198

UP. 92. MT. M - FLOWMETER
Flowmeter

- Tube in Styrene Methyl Methacrylate Copolymer
- BSP male thread

Caudalímetro

- Tubo en metacrilato de metilo
- Roscar macho BSP



G	DN	REF.	CODE
½"	15	05 92 420A	20217
½"	15	05 92 420B	20218
½"	15	05 92 420C	20219
¾"	20	05 92 425A	20220
¾"	20	05 92 425B	20221
¾"	20	05 92 425C	20222

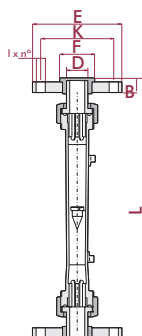
GPM	l/h	L	L ₁
0,04 - 0,44	10 - 100	249	198
0,06 - 0,66	16 - 160	249	198
0,1 - 1,1	25 - 250	249	198
0,2 - 1,8	40 - 400	252	198
0,3 - 2,7	60 - 630	252	198
0,4 - 4,4	100 - 1000	252	198

UP. 92. FLG. M - FLOWMETER
Flowmeter

- Tube in Styrene Methyl Methacrylate Copolymer
- With flanges

Caudalímetro

- Tubo en metacrilato de metilo
- Con bridas



D	DN	REF.	CODE
20	15	05 92 220A	20223
20	15	05 92 220B	20224
20	15	05 92 220C	20225
25	20	05 92 225A	20226
25	20	05 92 225B	20227
25	20	05 92 225C	20228

GPM	l/h	E	K	F	l x n°	B	L
0,04 - 0,44	10 - 100	95	65	45	14x4	12	257
0,06 - 0,66	16 - 160	95	65	45	14x4	12	257
0,1 - 1,1	25 - 250	95	65	45	14x4	12	257
0,2 - 1,8	40 - 400	105	75	58	14x4	13	260
0,3 - 2,7	60 - 630	105	75	58	14x4	13	260
0,4 - 4,4	100 - 1000	105	75	58	14x4	13	260

SOLVENT CEMENT / CLEANER / PTFE TAPE

ADHESIVOS / DISOLVENTES / CINTA DE PTFE

NOTES ABOUT THE SOLVENT

- Carry out an accurate turnover of the stock as the solvent cement can lose the original characteristics after 12 months of its manufacture.
- Stock in a dry and fresh place.
- Please, read the instructions of use.
- Different solvent cements for PVC-U and PVC-C (read the description).
- If you want to read the solvent socket recommendations, please refer to Pipe installation Section

NOTAS SOBRE EL ADHESIVO

- Realizar una correcta rotación del stock ya que el adhesivo puede perder sus características originales a partir de los 12 meses de su fabricación.
- Almacenar en un lugar seco y fresco.
- Ver las normas de utilización del envase.
- Adhesivos diferenciados para PVC-U y PVC-C (ver descripción).
- Para ver las recomendaciones de instalación con adhesivo, consulte la Sección de Instalación de tubería.

Average joints for 1.000 cm³ of solvent cement
Nº aproximado de encoladuras efectuadas con 1.000 cm³ de adhesivo

Ø of pipe Ø de tubo	16	20	25	32	40	50	63	75	90	110	125	140	160	200	225	250	315	400
Nº of joints Nº de encoladuras	390	375	300	250	200	110	80	55	40	25	22	18	11	7	5	4	3	2

UP. 90. SC

CEPEX PVC-U solvent cement

Adhesivo PVC-U CEPEX



Size Medida	Vol.	REF.	CODE
Tub Tubo	125 cm ³	05 90 012	02429
Can with paint brush Bote con pincel	250 cm ³	05 90 026	02430
Can Bote	500 cm ³	05 90 050	02427
Can with paint brush Bote con pincel	500 cm ³	05 90 051	09043
Can Bote	1.000 cm ³	05 90 100	02426
Can with paint brush Bote con pincel	1.000 cm ³	05 90 101	09044

UP. 90. TSC

TANGIT solvent cement PVC-U

Adhesivo TANGIT PVC-U



Size Medida	Vol.	REF.	CODE
Can with paint brush Bote con pincel	500 cm ³	05 90 350	02434
Can Bote	1.000 cm ³	05 90 400	02433

UP. 90. SCU

UNI-100 solvent cement PVC-U

Adhesivo UNI-100 PVC-U



Size Medida	Vol.	REF.	CODE
Can with paint brush Bote con pincel	500 cm ³	05 90 051 UNI	52706
Can with paint brush Bote con pincel	1.000 cm ³	05 90 101 UNI	52707

UP. 90. SCH

HCR-36 solvent cement PVC-U / PVC-C

Adhesivo HCR-36 PVC-U / PVC-C

• High chemical resistance

• Alta resistencia química



Size Medida	Vol.	REF.	CODE
Can with paint brush Bote con pincel	1.000 cm ³	05 90 100 HCR	52711

Sulphuric acid: concentrations > 70%
 Hydrochloric acid: concentrations > 25%
 Nitric acid: concentrations > 20%
 Lyes (caustic soda): concentrations > 35%
 Fluoric acid: any concentration
 Sodium hypochlorite: active chlorine content > 7.5%

CP. 90. SCH - PVC-C SOLVENT CEMENT

HT-120 solvent cement PVC-C

Adhesivo HT-120 PVC-C



Size Medida	REF.	CODE
Can with paint brush Bote con pincel	500 cc	36 90 051

UP. 90. CL

Cleaner

Disolvente



Size Medida	Vol.	REF.	CODE
Can Bote	500 cm ³	05 90 250	02432
Can Bote	1.000 cm ³	05 90 300	02431

UP. 90. TF

PTFE thread-wrap tape

Cinta de PTFE



Thickness Grueso	Width Anchura	Length Largo	REF.	CODE
0,075 mm	12 mm	12 m	05 90 500	02435
0,10 mm	19 mm	50 m	05 90 550	02436

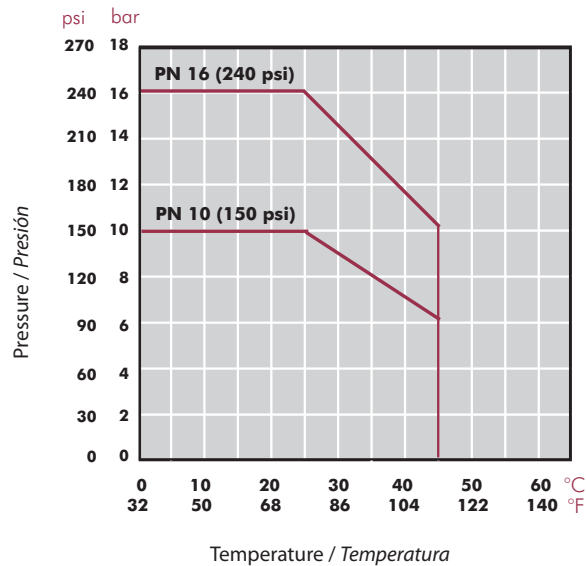
BRITISH STANDARD SERIES

ELBOWS <i>CODOS</i>	01	PAG. 113
TEES <i>TÉS</i>	02	PAG. 114
SOCKETS AND REDUCERS <i>MANGUITOS Y REDUCCIONES</i>	03	PAG. 114
FLANGES <i>BRIDAS</i>	04	PAG. 115
CAPS <i>TAPONES</i>	05	PAG. 116
NIPPLES <i>MACHONES</i>	06	PAG. 116
UNIONS <i>ENLACES 3 PIEZAS</i>	07	PAG. 117
SIGHT GLASSES <i>VISORES DE LÍQUIDOS</i>	08	PAG. 120

TECHNICAL CHARACTERISTICS
CARACTERÍSTICAS TÉCNICAS

Unions <i>Uniones</i>	Sizes <i>Medidas</i>	Working pressure at 20°C <i>Presión de servicio a 20°C</i>
Solvent socket / <i>Encolar</i>	½" - 4"	PN 16 (240 psi)
Threaded / <i>Roscar</i>	½" - 2"	PN 10 (150 ps)

PRESSURE / TEMPERATURE GRAPH
DIAGRAMA PRESIÓN / TEMPERATURA



Life: 50 years
Hydrostatic maximum pressure a component may withstand in continuous service (without overpressure)

Vida útil: 50 años
Presión hidrostática máxima que un componente es capaz de soportar en servicio continuo (sin sobrepresión)

TOLERANCE CHART
TABLA TOLERANCIAS

DN	Minimum diameter <i>Diámetro mínimo</i>	Maximum diameter <i>Diámetro máximo</i>
3/8"	17.1	17.3
1/2"	21.3	21.5
3/4"	26.7	26.9
1"	33.5	33.7
1¼"	42.2	42.4
1½"	48.2	48.4
2"	60.3	60.5
2½"	75.1	75.3
3"	88.8	89.1
4"	114.2	114.5
5"	140.1	140.4
6"	168.2	168.5
7"	193.7	194.0
8"	219.0	219.4

ELBOWS

CODOS

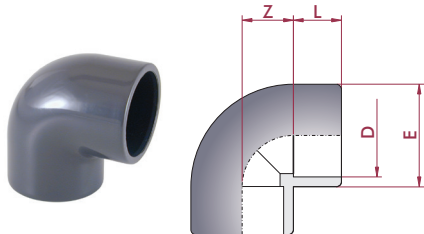
UP. 01. SF. BS - 90° ELBOW BS

90° elbow

- Female solvent socket
- British Standard Series

Codo 90°

- Encolar hembra
- Serie British Standard



D	DN	PN	REF.	CODE
½"	15	16	05 01 901	07137
¾"	20	16	05 01 902	07138
1"	25	16	05 01 903	07139
1¼"	32	16	05 01 904	07140
1½"	40	16	05 01 905	07141
2"	50	16	05 01 906	07142
2½"	65	16	05 01 075 ^M	07178
3"	80	16	05 01 908	07144
4"	100	16	05 01 910	07145

L	Z	E
16	11	27
19	14	33
22	17	41
26	21	50
31	26	61
38	33	76
44	39	90
51	46	108
61	56	131

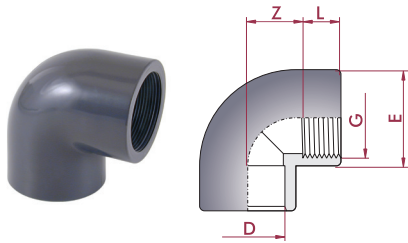
UP. 01. SFT. BS - 90° ELBOW BS

90° adaptor elbow

- Female solvent socket & BSP female thread
- British Standard series

Codo 90° mixto

- Encolar hembra y roscar hembra BSP
- Serie British Standard



D x G	DN	PN	REF.	CODE
½" x ½"	15	10	05 01 931	07146
¾" x ¾"	20	10	05 01 932	07147
1" x 1"	25	10	05 01 933	07148
1¼" x 1¼"	32	10	05 01 934	07149
1½" x 1½"	40	10	05 01 935	07150
2" x 2"	50	10	05 01 936	07151

L	Z	E
14	11	27
16	14	33
19	17	41
20	21	50
20	26	61
24	33	76

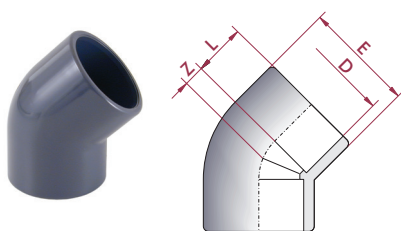
UP. 02. SF. BS - 45° ELBOW BS

45° elbow

- Female solvent socket
- British Standard series

Codo 45°

- Encolar hembra
- Serie British Standard



D	DN	PN	REF.	CODE
½"	15	16	05 02 901	07152
¾"	20	16	05 02 902	07153
1"	25	16	05 02 903	07154
1¼"	32	16	05 02 904	07155
1½"	40	16	05 02 905	07156
2"	50	16	05 02 906	07157
2½"	65	16	05 02 075 ^M	07152
3"	80	16	05 02 908	07159
4"	100	16	05 02 910	07160

L	Z	E
16	5	28
19	6	35
22	8	43
26	10	52
31	12	61
38	14	76
44	17	93
51	20	109
61	24	133

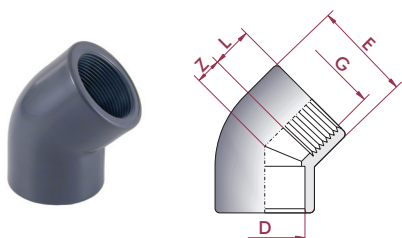
UP. 02. SFT. BS - 45° ELBOW BS

45° adaptor elbow

- Female solvent socket & BSP female thread
- British Standard series

Codo 45° mixto

- Encolar hembra y roscar hembra BSP
- Serie British Standard



D x G	DN	PN	REF.	CODE
½" x ½"	15	10	05 02 931	07161
¾" x ¾"	20	10	05 02 932	07162
1" x 1"	25	10	05 02 933	07163
1¼" x 1¼"	32	10	05 02 934	07164
1½" x 1½"	40	10	05 02 935	07165
2" x 2"	50	10	05 02 936	07166

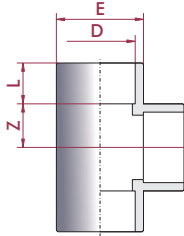
L	Z	E
14	5	28
16	6	34
19	8	43
20	10	54
20	12	63
24	14	78

TEES
TÉS
UP. 03. SF. BS - 90° TEE BS
90° tee

- Female solvent socket
- British Standard series

Té 90°

- Encolar hembra
- Serie British Standard



D	DN	PN	REF.	CODE
½"	15	16	05 03 901	07167
¾"	20	16	05 03 902	07168
1"	25	16	05 03 903	07169
1¼"	32	16	05 03 904	07170
1½"	40	16	05 03 905	07171
2"	50	16	05 03 906	07172
2½"	65	16	05 03 075 ^M	01786
3"	75	16	05 03 908	07174
4"	80	16	05 03 910	07175

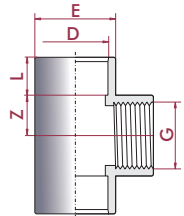
L	Z	E
16	11	27
19	14	33
22	17	41
26	21	50
31	26	61
38	33	71
44	39	90
51	46	108
61	56	131

UP. 03. SFT. BS - 90° TEE BS
90° adaptor tee

- Female solvent socket & BSP female thread
- British Standard series

Té 90° mixta

- Encolar hembra y roscar hembra BSP
- Serie British Standard



D x G	DN	PN	REF.	CODE
½" x ½"	15	10	05 03 931	07176
¾" x ¾"	20	10	05 03 932	07177
1" x 1"	25	10	05 03 933	07178
1¼" x 1¼"	32	10	05 03 934	07179
1½" x 1½"	40	10	05 03 935	07180
2" x 2"	50	10	05 03 936	07181

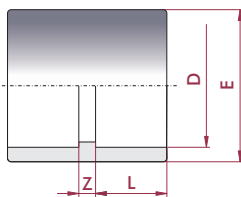
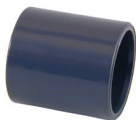
L	Z	E
14	11	27
16	14	33
19	17	41
20	21	50
20	26	61
24	33	76

SOCKETS
MANGUITOS UNIÓN
UP. 05. SF. BS - SOCKET BS
Socket

- Female solvent socket
- British Standard series

Manguito unión

- Encolar hembra
- Serie British Standard



D	DN	PN	REF.	CODE
½"	15	16	05 05 901	07182
¾"	20	16	05 05 902	07183
1"	25	16	05 05 903	07184
1¼"	32	16	05 05 904	07185
1½"	40	16	05 05 905	07186
2"	50	16	05 05 906	07187
2½"	65	16	05 05 075 ^M	01878
3"	80	16	05 05 908	07189
4"	100	16	05 05 910	07190

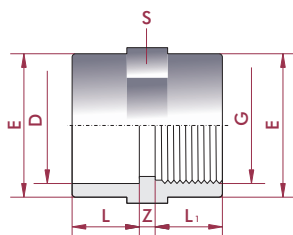
L	Z	E
16	3	27
19	3	33
22	3	41
26	3	50
31	3	61
38	3	75
44	4	90
51	5	108
61	6	131

UP. 05. SFT. BS - SOCKET BS
Adaptor socket

- Female solvent socket & BSP female thread
- British Standard series

Manguito unión mixto

- Encolar hembra y roscar hembra BSP
- Serie British Standard



D x G	DN	PN	REF.	CODE
½" x ½"	15	10	05 05 931	07191
¾" x ¾"	20	10	05 05 932	07192
1" x 1"	25	10	05 05 933	07193
1¼" x 1¼"	32	10	05 05 934	07194
1½" x 1½"	40	10	05 05 935	07195
2" x 2"	50	10	05 05 936	07196
2½" x 2½"	65	10	05 05 475 ^M	01895

L	L ₁	Z	E	S
16	14	3	27	27
19	16	3	33	33
22	19	3	41	41
26	20	3	50	50
31	20	3	61	61
38	24	3	75	75
44	44	4	90	90

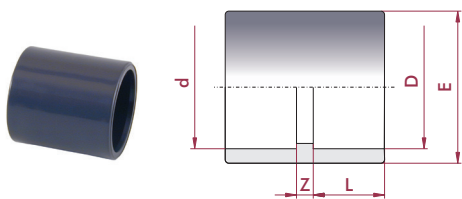
UP. 27. SF. MBS - ADAPTOR SOCKET METRIC - BS

Metric/BS adaptor socket

- Female solvent socket
- British Standard - Metric series

Manguito adaptador métrico/BS

- Encolar hembra
- Serie British Standard - Métrica



D x d	DN	PN	REF.	CODE
20 x 1/2"	15	16	05 27 901	07229
25 x 3/4"	20	16	05 27 902	07230
32 x 1"	25	16	05 27 903	07231
40 x 1 1/4"	32	16	05 27 904	07232
50 x 1 1/2"	40	16	05 27 905	07233
63 x 2"	50	16	05 27 906	07234
90 x 3"	80	16	05 27 908	07236
110 x 4"	100	16	05 27 910	07237

L	Z	E
16	3	27
19	3	33
22	3	41
26	3	50
31	3	61
38	3	75
51	5	108
61	6	135

REDUCERS

REDUCCIONES

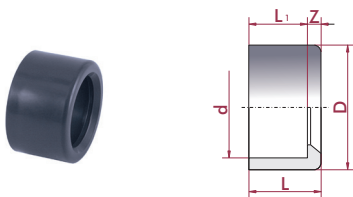
UP. 06. SMF. BS - REDUCING BUSH BS

Reducing bush

- Male x female solvent socket
- British Standard series

Casquillo reducción

- Encolar macho x hembra
- Serie British Standard



D x d	DN	PN	REF.	CODE
3/4" x 1/2"	15	16	05 06 920	07198
1" x 3/4"	20	16	05 06 930	07199
1" x 1/2"	15	16	05 06 931	07200
1 1/4" x 1"	25	16	05 06 940	07201
1 1/4" x 3/4"	20	16	05 06 941	07202
1 1/2" x 1 1/4"	32	16	05 06 950	07203
1 1/2" x 1"	25	16	05 06 951	07204
2" x 1 1/2"	40	16	05 06 960	07205
2 1/2" x 2"	50	16	05 06 970	07206
3" x 2 1/2"	65	16	05 06 980	07207
4" x 3"	80	16	05 06 990	07208

L	L ₁	Z
19	16	3
22	19	3
22	16	6
26	22	4
26	19	7
31	26	5
31	22	9
38	31	7
44	38	6
51	44	7
61	51	10

FLANGES

BRIDAS

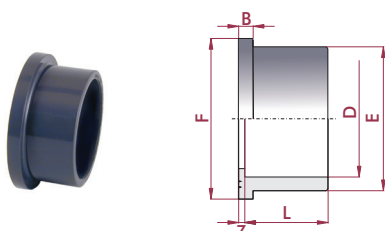
UP. 10. SF. BS - FLANGE ADAPTOR BS

PVC-U flange adaptor (sub flange)

- Female solvent socket
- British Standard series
- To check the dimensions of flanges, see UP. 11. FLG in the Metric series chapter.

Manguito portabridas PVC-U

- Encolar hembra
- Serie British Standard
- Dimensiones de las bridas: ver UP. 11. FLG en el apartado de medida métrica



D	DN	PN	REF.	CODE
2"	50	16	05 10 906	07804
2 1/2"	65	16	05 10 075 ^M	02022
3"	80	16	05 10 908	07218
4"	100	16	05 10 910	07219
5"	125	16	05 10 140 ^M	02026
6"	150	10	05 10 914	07221
8"	200	10	05 10 917	07222

L	Z	B	E	F
38	3	9	76	90
44	3	10	90	106
51	5	11	108	125
61	5	12	131	150
76	5	14	165	188
86	5	16	188	213
119	6	25	248	274

CAPS

TAPONES

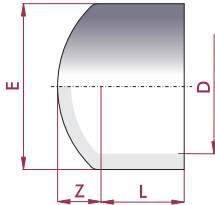
UP. 07. SF. BS - CAP BS

Cap

- Female solvent socket
- British Standard series

Tapón

- Encolar hembra
- Serie British Standard



D	DN	PN	REF.	CODE
½"	15	16	05 07 901	07209
¾"	20	16	05 07 902	07210
1"	25	16	05 07 903	07211
1¼"	32	16	05 07 904	07212
1½"	40	16	05 07 905	07213
2"	50	16	05 07 906	07214
2½"	65	16	05 07 075 ^M	01949
3"	80	16	05 07 908	07216
4"	100	16	05 07 910	07803

L	Z	E
16	8	26
19	9	33
22	10	40
26	12	50
31	15	63
38	17	75
44	19	90
51	23	110
61	28	131

NIPPLES

MACHONES

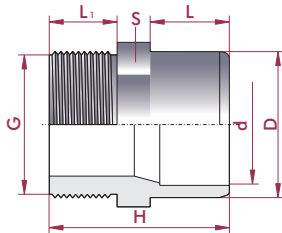
UP. 15. SFMT. BS - ADAPTOR NIPPLE BS

Adaptor nipple

- Female/male solvent socket & BSP male thread
- British Standard series

Machón mixto

- Encolar hembra/macho y rosca macho BSP
- Serie British Standard



D - d x G	DN	PN	REF.	CODE
½" - ¾" x ½"	15	10	05 15 931	07238
¾" - 1½" x ¾"	20	10	05 15 932	07239
1" - ¾" x 1"	25	10	05 15 933	07240
1¼" - 1" x 1¼"	32	10	05 15 934	07241
1½" - 1¼" x 1½"	40	10	05 15 935	07242
2" - 1½" x 2"	50	10	05 15 936	07243
2½" - 2" x 2½"	65	10	05 15 475 ^M	02091
3" - 2½" x 3"	80	10	05 15 938	07245

L	L ₁	H	S
16	14	42	27
19	16	47	32
22	19	54	36
26	21	60	46
31	25	70	55
38	25	78	65
44	30	89	78
51	33	99	93

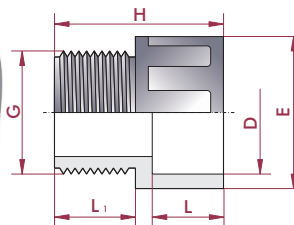
UP. 17. SFMT. BS - ADAPTOR BUSH BS

Adaptor bush

- Female solvent socket x BSP male threaded
- British Standard series

Terminal rosca macho

- Encolar hembra x rosca macho BSP
- Serie British Standard



D x G	DN	PN	REF.	CODE
½" x ½"	15	10	05 17 931	07246
¾" x ¾"	20	10	05 17 932	07247
1" x 1"	25	10	05 17 933	07248
1¼" x 1¼"	32	10	05 17 934	07249
1½" x 1½"	40	10	05 17 935	07250
2" x 2"	50	10	05 17 936	07251
2½" x 2½"	65	10	05 17 475 ^M	02108
3" x 3"	80	10	05 17 938	07253
4" x 4"	100	10	05 17 940	07254

L	L ₁	E	H
16	14	28	38
19	16	34	42
22	19	41	50
26	21	51	55
31	30	62	65
38	30	77	75
44	30	90	85
51	33	108	98
61	40	131	115

PVC-U UNIONS

ENLACES 3 PIEZAS PVC-U

Unions are the preferred choice over flange adaptors for the connection of plastic pipes. With no metal parts, there is no corrosion and the weight is also reduced.

They are only available in small sizes (up until D110).

The union ends are manufactured in plain ends for solvent socket or thread always according the sizing standards, doing this system appropriate to adapt to other elements or systems. Cepex unions feature an o-ring in order to ensure better unions, so it is not needed the use of PTFE tape between nut and union end (it is only needed in the threaded ends).

They are not recommended when connected to pipe under bending stress.

The union nut should be tightened by hand. Must use a strap wrench for big sizes (D75, D90, D110).

With this type of unions, it is possible to mix several plastic materials.

Cuando hay que unir plásticos, éstos son preferidos a las bridas, ya que no contienen ninguna parte de metal y el diámetro exterior es más reducido.

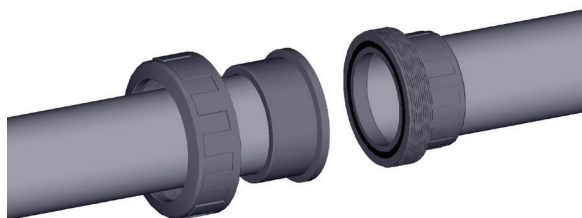
En contrapartida sólo están disponibles para diámetros pequeños (hasta D110).

Los manguitos de conexión están fabricados en terminaciones lisas de encolado o roscadas, siempre bajo normativas standards, haciendo posible la adaptación a otros componentes (incluso de materiales distintos).

Los enlaces 3 piezas Cepex incorporan junta para asegurar estanqueidad entre los dos manguitos de la unión, por lo que no debe usarse cinta de PTFE entre tuerca y manguito (usar cinta de PTFE solamente en las terminaciones de manguito roscadas). No son recomendables cuando el tubo tenga que estar sometido a fuerza de flexión (debido a posibles desalineaciones).

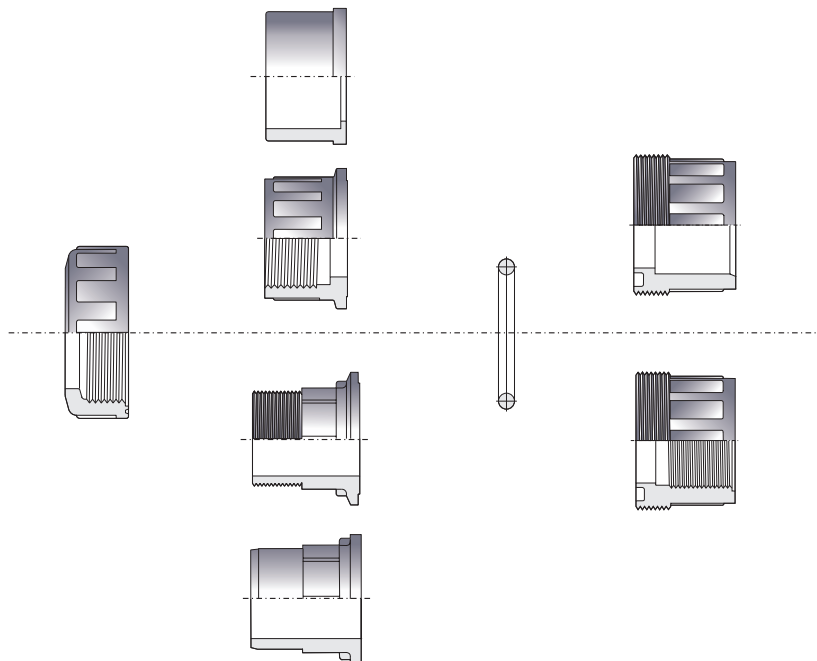
No es necesario el uso de ninguna herramienta, se rosca con las manos. Usar llave de cinta en diámetros grandes (D75, D90, D110).

Mediante estos enlaces, se pueden combinar diferentes tipos de plásticos.



CONNECTION POSSIBILITIES

POSIBILIDADES DE CONEXIÓN



Available standards

Solvent socket: metric, BS, ASTM

Threaded: BSP, NPT

Standards disponibles

Encolar: métrico, BS, ASTM

Roscar: BSP, NPT

Ask for other types of unions or other materials (PP, PE100...)

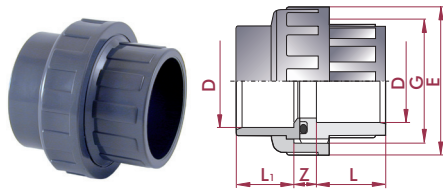
Consultar otros tipos de conexión o materiales (PP, PE100...)

UP. 50. SF. BS - UNION BS
Union

- Female solvent socket
- British Standard series
- EPDM O-Ring

Enlace 3 piezas

- Encolar hembra
- Serie British Standard
- Anillo tórico en EPDM



D	DN	PN	REF.	CODE
½"	15	16	05 50 901	07332
¾"	20	16	05 50 902	07333
1"	25	16	05 50 903	07334
1¼"	32	16	05 50 904	07335
1½"	40	16	05 50 905	07336
2"	50	16	05 50 906	07337
2½"	65	10	05 50 075 ^M	02333
3"	80	10	05 50 908	07806
4"	100	10	05 50 910	07807

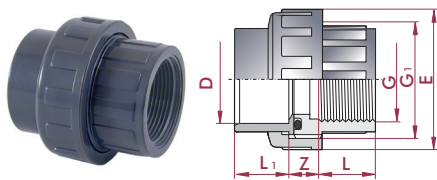
L	Z	G	E	o-ring
16	13	1"	41	20 x 3
19	13	1¼"	52	38 x 3
22	13	1½"	60	33 x 3
26	15	2"	74	41 x 5
31	17	2¼"	80	47 x 5
38	21	2¾"	99	60 x 5
44	21	3½"	120	76 x 5
51	24	4"	138	91 x 5
61	26	5½"	179	110 x 5

UP. 50. SFT. BS - UNION BS
Union adaptor

- Female solvent socket x BSP female thread
- British Standard series
- EPDM O-Ring

Enlace 3 piezas

- Encolar hembra x rosca hembra BSP
- Serie British Standard
- Anillo tórico en EPDM



D x G	DN	PN	REF.	CODE
½" x ½"	15	16	05 50 931	07255
¾" x ¾"	20	16	05 50 932	07256
1" x 1"	25	16	05 50 933	07257
1¼" x 1¼"	32	16	05 50 934	07258
1½" x 1½"	40	16	05 50 935	07259
2" x 2"	50	16	05 50 936	07260
2½" x 2½"	65	10	05 50 475 ^M	02342
3" x 3"	80	10	05 50 938	07808
4" x 4"	100	10	05 50 940	07809

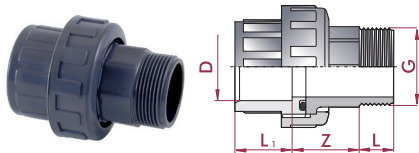
L	Z	G ₁	E	o-ring
16	13	1"	41	20 x 3
19	13	1¼"	52	28 x 3
22	13	1½"	60	33 x 3
26	15	2"	74	41 x 5
31	17	2¼"	90	47 x 5
38	21	2¾"	108	60 x 5
44	21	3½"	120	76 x 5
51	24	4"	138	91 x 5
61	26	5½"	179	110 x 5

UP. 51. SMT. BS - UNION BS
Union adaptor

- Female solvent socket x BSP male thread
- British Standard series
- EPDM O-Ring

Enlace 3 piezas

- Encolar hembra x rosca macho BSP
- Serie British Standard
- Anillo tórico en EPDM



D x G	DN	PN	REF.	CODE
½" x ½"	15	16	05 51 931	07810
¾" x ¾"	20	16	05 51 932	07811
1" x 1"	25	16	05 51 933	07812
1¼" x 1¼"	32	16	05 51 934	07813
1½" x 1½"	40	16	05 51 935	07262
2" x 2"	50	16	05 51 936	07263
2½" x 2½"	65	10	05 51 475 ^M	02359
3" x 3"	80	10	05 51 938	07814
4" x 4"	100	10	05 51 940	07815

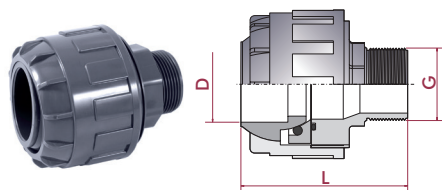
L ₁	L	Z
16	15	33
19	16	35
22	19	40
26	21	40
31	21	48
38	25	62
44	30	70
51	33	62
61	39	70

UP. 57. SFMT. BS - UNION BS
Self-align union

- Max. misalignment ±4°
- Female solvent socket x BSP male thread
- British Standard series

Manguito orientable

- Dealineación max. ±4°
- Encolar hembra x rosca macho BSP
- Serie British Standard



D x G	DN	PN	REF.	CODE
1½" x 1½"	40	10	05 57 955	21081

L
110

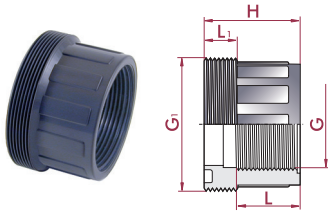
FITTINGS FOR UNIONS

ACCESORIOS ENLACES 3 PIEZAS

UP. 21. MFT - UNION BUSH BS

Union bush
• BSP male x female thread

Manguito enlace
• Roscar macho x hembra BSP



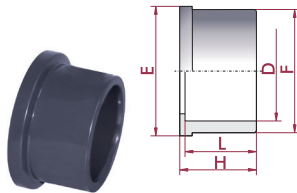
G ₁ x G	DN	PN	REF.	CODE
1" x 1/2"	15	10	05 21 620	02160
1 1/4" x 3/4"	20	10	05 21 625	02162
1 1/2" x 1"	25	10	05 21 632	02163
2" x 1 1/4"	32	10	05 21 640	02165
2 1/4" x 1 1/2"	40	10	05 21 650	02166
2 3/4" x 2"	50	10	05 21 663	02168
3 1/2" x 2 1/2"	65	10	05 21 675	02169
4" x 3"	80	10	05 21 690	02170
5 1/2" x 4"	100	10	05 21 710	02171

L	L ₁	H
16	10	26
19	11	29
22	12	32
30	15	39
34	16	46
38	18	56
44	18	62
51	18	69
61	31	79

UP. 22. SF. BS - UNION END BS

Union end
• Female solvent socket
• British Standard series

Manguito enlace
• Encolar hembra
• Serie British Standard



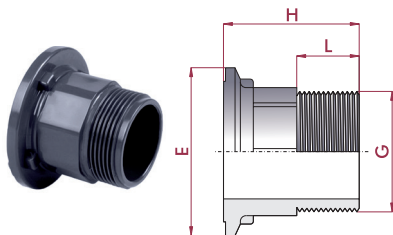
D	DN	PN	REF.	CODE
1/2"	15	16	05 22 901	27254
3/4"	20	16	05 22 902	27255
1"	25	16	05 22 903	27256
1 1/4"	32	16	05 22 904	27257
1 1/2"	40	16	05 22 905	27258
2"	50	16	05 22 906	27259
2 1/2"	65	16	05 22 075*	02178
3"	80	16	05 22 908	27260
4"	100	16	05 22 910	27261

L	E	H	F
16	30	19	27
19	39	22	36
22	45	25	41
26	56	29	53
31	63	34	59
38	78	41	74
44	97	47	92
51	110	56	105
61	147	66	131

UP. 22. MT- UNION END BS

Union end
• BSP male thread

Manguito enlace
• Roscar macho BSP



G	DN	PN	REF.	CODE
1/2"	15	10	05 22 420	25960
3/4"	20	10	05 22 425	25961
1"	25	10	05 22 432	25962
1 1/4"	32	10	05 22 440	25963
1 1/2"	40	10	05 22 450	25964
2"	50	10	05 22 463	25965
2 1/2"	65	10	05 22 475	25966
3"	80	10	05 22 490	25967
4"	100	10	05 22 510	25968

L	H	E
15	38	30
16	41	39
19	48	45
21	50	57
21	57	63
28	70	78
30	72	97
33	77	110
40	98	147

UP. 23. FT- UNION NUT BS

Union nut
• BSP female thread

Tuerca
• Roscar hembra BSP



G	PN	REF.	CODE
1" (1/2")	10	05 23 632	02188
1 1/4" (3/4")	10	05 23 640	02189
1 1/2" (1")	10	05 23 650	02191
2" (1 1/4")	10	05 23 663	02192
2 1/4" (1 1/2")	10	05 23 664	02193
2 3/4" (2")	10	05 23 676	02196
3 1/2" (2 1/2")	10	05 23 692	02197
4" (3")	10	05 23 710	02198
5 1/2" (4")	10	05 23 741	02199

L	H	E	D	Di
15	20	41	27	30
16	22	52	36	39
20	26	60	41	45
21	26	74	53	57
22	30	80	59	63
28	36	99	74	78
28	36	120	92	97
28	38	133	105	110
41	56	177	131	148

The size of the corresponding union is indicated in brackets.

Entre paréntesis se indica la medida del enlace 3 piezas correspondiente.

SIGHT GLASSES

VISORES DE LÍQUIDOS

UP. 54. SF. BS- SIGHT GLASSES BS

- Material:
1½" - 2": PMMA (Fig. A)
2½" - 4": SAN (Fig. B)
- 4 bolts
- Female solvent socket
- British Standard series

- Material:
1½" - 2": PMMA (Fig. A)
2½" - 4": SAN (Fig. B)
- 4 tornillos
- Encolar hembra
- Serie British Standard

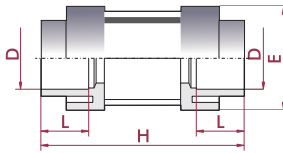
Working pressure at 20°C (73°F) water temperature:

- 1½" - 2": PN 6
- 2½" - 4": PN 10

Presión de servicio a 20°C (73°F) temperatura de agua:

- 1½" - 2": PN 6
- 2½" - 4": PN 10

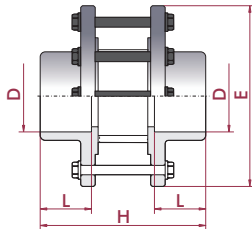
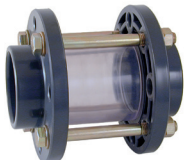
Mod. A



D	DN	PN	REF.	CODE
1½"	40	6	05 54 905	21082
2"	50	6	05 54 906	21083
2½"	65	10	05 54 075 ^M	02389
3"	80	10	05 54 908	21084
4"	100	10	05 54 910	21085
6"	150	10	05 54 914	69340

L	H	E	Mod.
31	130	80	A
38	159	92	A
44	165	185	B
51	180	200	B
61	250	220	B

Mod. B



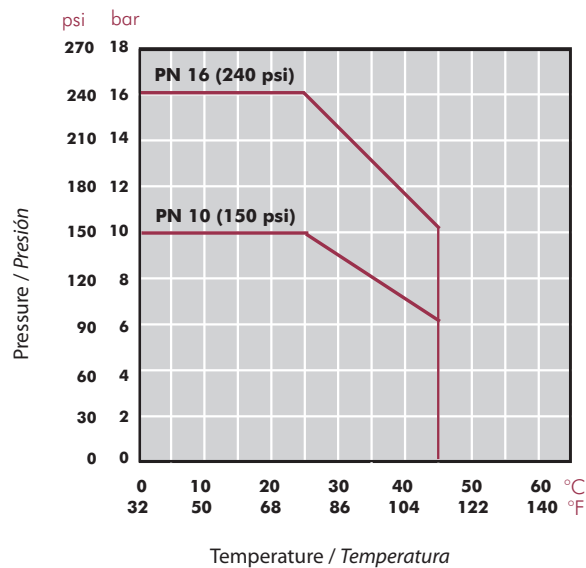
AMERICAN SIZES SERIES

SOCKETS <i>MANGUITOS</i>	01	PAG. 123
FLANGES <i>BRIDAS</i>	02	PAG. 124
UNIONS <i>ENLACES 3 PIEZAS</i>	03	PAG. 126

TECHNICAL CHARACTERISTICS
CARACTERÍSTICAS TÉCNICAS

Unions Uniones	Sizes Medidas	Working pressure at 20°C Presión de servicio a 20°C
Solvent socket / Encolar	½" - 4"	PN 16 (240 psi)
Threaded / Roscar	½" - 4"	PN 10 (150 psi)

PRESSURE / TEMPERATURE GRAPH
DIAGRAMA PRESIÓN / TEMPERATURA



Life: 50 years
 Hydrostatic maximum pressure a component may withstand in continuous service (without overpressure)

Vida útil: 50 años
 Presión hidrostática máxima que un componente es capaz de soportar en servicio continuo (sin sobrepresión)

TOLERANCE CHART
TABLA TOLERANCIAS

DN	Inlet diameter Diámetro en entrada		Bottom diameter Diámetro en fondo	
	MIN.	MAX.	MIN.	MAX.
3/8"	17.35	17.55	16.94	17.14
1/2"	21.44	21.64	21.13	21.33
3/4"	26.77	26.97	26.47	26.67
1"	33.53	33.78	33.14	33.40
1¼"	42.29	42.55	41.91	42.17
1½"	48.41	48.71	47.96	48.26
2"	60.48	60.78	60.02	60.32
2½"	73.20	73.56	72.67	73.03
3"	89.11	89.51	88.50	88.90
4"	114.53	114.99	113.84	114.30
5"	141.56	142.06	140.80	141.30
6"	168.55	169.11	167.72	168.28
8"	219.46	220.22	218.32	219.08

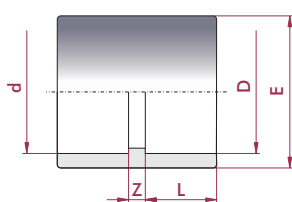
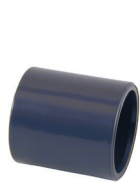
UP. 27. SF. MMA - ADAPTOR SOCKET METRIC - MA

Metric/ASTM adaptor socket

- Female solvent socket
- ASTM - Metric series

Manguito adaptador métrico/ASTM

- Encolar hembra
- Serie ASTM - Métrica



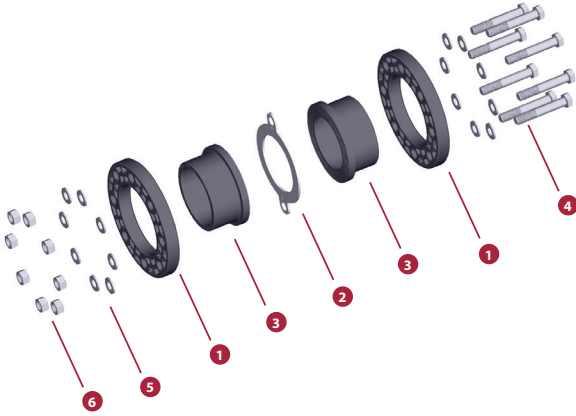
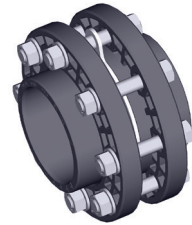
D x d	DN	PN	REF.	CODE
20 x 1/2"	15	16	05 27 901 MA	60257
25 x 3/4"	20	16	05 27 902 MA	64467
32 x 1"	25	16	05 27 903 MA	64468
40 x 1 1/4"	32	16	05 27 904 MA	64496
50 x 1 1/2"	40	16	05 27 905 MA	64497
63 x 2"	50	16	05 27 906 MA	64498
75 x 2 1/2"	65	16	05 27 907 MA	64499
90 x 3"	80	16	05 27 908 MA	64500
110 x 4"	100	16	05 27 910 MA	64501

L	Z	E
16	3	27
19	3	33
22	3	41
26	3	50
31	3	61
38	3	75
44	4	90
51	5	108
61	6	135

PVC-U LOOSE FLANGES BRIDAS LOCAS PVC-U

• ANSI ASME 16B.5 | ANSI ASME 16.5/16.34 Flange System.
• We recommend to follow flange installation instructions carefully to avoid any unnecessary tensions.

• Sistema de bridas ANSI ASME 16B.5 | ANSI ASME 16.5/16.34.
• Recomendamos seguir exactamente las normas de montaje de bridas con objeto de evitar tensiones innecesarias.



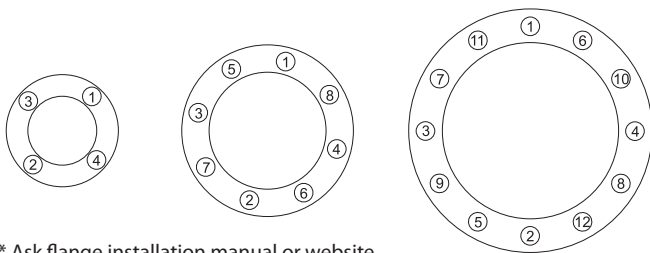
D	1 PVC-U	3 PVC-U
2"		✓
2½"		✓
3"	✓	✓
4"	✓	✓
5"		✓
6"	✓	✓
8"	✓	✓

FIG.	Parts	Despiece	Material
1	Flange	Brida	PVC-U / PP
2	Flat gasket	Junta plana	EVA / EPDM
3	Flange adaptor **	Manguito portabridas **	PVC-U
4	Screw DIN 931	Tornillo DIN 931	5,6 Zinc plated steel / A2 Stainless steel *
5	Washer DIN 125-A	Arandela DIN 125-A	
6	Nut DIN 934	Tuerca DIN 934	

* On order A4 Stainless steel
Bajo pedido acero inoxidable A4

** Flange adaptor available in BS and ASTM solvent socket standards
Manguito portabridas disponible en standards BS y ASTM

TIGHTENING SEQUENCE ORDEN DE APRIETE



* Ask flange installation manual or website
Consultar manual instalación bridas o website

TIGHTENING MAXIMUM TORQUE MÁXIMO PAR DE APRIETE

D	DN	inch	N · m	Kgf · cm	inch · lbs
63-75	65	2 ½"	25	255	221
90	80	3"	25	255	221
110	100	4"	30	306	265
125-140	125	5"	35	257	310
160	150	6"	40	408	354
200-225	200	8"	50	510	442
250-280	250	10"	80	816	708
315	300	12"	80	816	708

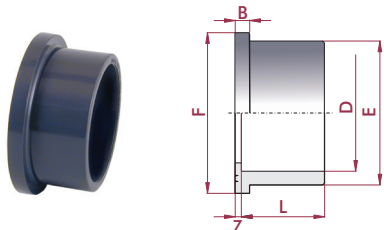
UP. 10. SF. MA - FLANGE ADAPTOR MA

PVC-U flange adaptor (sub flange)

- Female solvent socket
- ASTM series

Manguito portabridas PVC-U

- Encolar hembra
- Serie ASTM



D	PN	REF.	CODE
2"	16	05 10 906 MA	66836
2½"	16	05 10 907 MA	07097
3"	16	05 10 908 MA	07098
4"	16	05 10 910 MA	07099
5"	16	05 10 913 MA	07100
6"	10	05 10 914 MA	07101
8"	10	05 10 917 MA	07102

L	Z	B	E	F
38	3	9	76	90
44	3	10	90	106
51	5	11	108	125
61	5	12	131	150
76	5	14	165	188
86	5	16	188	213
106	6	20	248	274

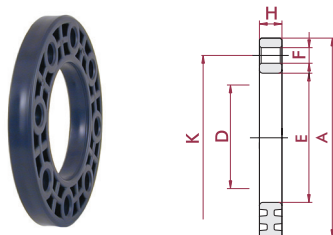
UP. 11. FLG - FLANGE

PVC-U loose flange

- ANSI-150

Brida loca PVC-U

- ANSI-150



D	DN	PN	REF.	CODE
3"	80	16	05 99 104	0599104
4"	100	16	05 99 105	0599105
6"	150	16	05 99 106	0599106
8"	200	16	05 99 107	0599107

E	A	H	K	F
110	190,5	23	150-159	8 x 19
133	230	28	175-190,5	8 x 19,5
190	285	32	240,2	8 x 23
250	343	38	290-298	8 x 23

* These flanges have slotted holes to allow the installation according to ASTM 16B.5 - ANSI 150 and ISO 15493.

* Estas bridas tienen los agujeros dimensionados para permitir la instalación acorde a las normativas ASTM 16B.5 - ANSI 150 y ISO 15493.

PVC-U UNIONS

ENLACES 3 PIEZAS PVC-U

Unions are the preferred choice over flange adaptors for the connection of plastic pipes. With no metal parts, there is no corrosion and the weight is also reduced.

They are only available in small sizes (up until D110).

The union ends are manufactured in plain ends for solvent socket or thread always according the sizing standards, doing this system appropriate to adapt to other elements or systems. Cepex unions feature an o-ring in order to ensure better unions, so it is not needed the use of PTFE tape between nut and union end (it is only needed in the threaded ends).

They are not recommended when connected to pipe under bending stress.

The union nut should be tightened by hand. Must use a strap wrench for big sizes (D75, D90, D110).

With this type of unions, it is possible to mix several plastic materials.

Cuando hay que unir plásticos, éstos son preferidos a las bridas, ya que no contienen ninguna parte de metal y el diámetro exterior es más reducido.

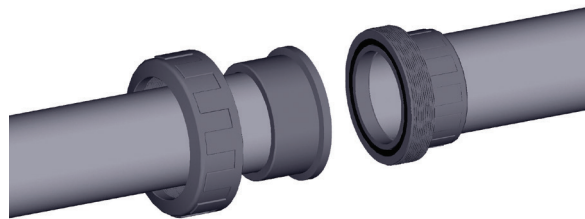
En contrapartida sólo están disponibles para diámetros pequeños (hasta D110).

Los manguitos de conexión están fabricados en terminaciones lisas de encolado o roscadas, siempre bajo normativas standards, haciendo posible la adaptación a otros componentes (incluso de materiales distintos).

Los enlaces 3 piezas Cepex incorporan junta para asegurar estanqueidad entre los dos manguitos de la unión, por lo que no debe usarse cinta de PTFE entre tuerca y manguito (usar cinta de PTFE solamente en las terminaciones de manguito roscadas). No son recomendables cuando el tubo tenga que estar sometido a fuerza de flexión (debido a posibles desalineaciones).

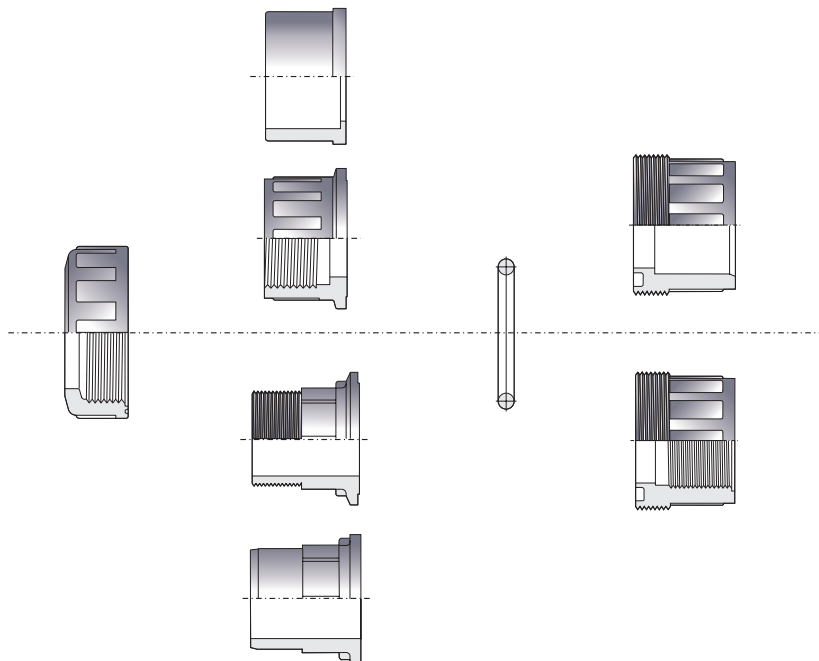
No es necesario el uso de ninguna herramienta, se rosca con las manos. Usar llave de cinta en diámetros grandes (D75, D90, D110).

Mediante estos enlaces, se pueden combinar diferentes tipos de plásticos.



CONNECTION POSSIBILITIES

POSIBILIDADES DE CONEXIÓN



Available standards

Solvent socket: metric, BS, ASTM
Threaded: BSP, NPT

Standards disponibles

Encolar: métrico, BS, ASTM
Roscar: BSP, NPT

Ask for other types of unions or other materials (PP, PE100...)
Consultar otros tipos de conexión o materiales (PP, PE100...)

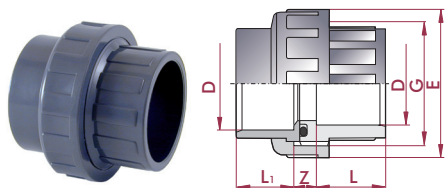
UP. 50. SF. MA - UNION MA

Union

- Female solvent socket
- ASTM series
- EPDM O-Ring

Enlace 3 piezas

- Encolar hembra
- Serie ASTM
- Anillo tórico en EPDM



D	DN	PN	REF.	CODE
½"	15	16	05 50 901 MA	25472
¾"	20	16	05 50 902 MA	25473
1"	25	16	05 50 903 MA	25474
1¼"	32	16	05 50 904 MA	25475
1½"	40	16	05 50 905 MA	11937
2"	50	16	05 50 906 MA	15690
2½"	65	10	05 50 907 MA	41528
3"	80	10	05 50 908 MA	41529
4"	100	10	05 50 910 MA	41530

L	Z	G	E	o-ring
16	13	1"	41	20 x 3
19	13	1¼"	52	38 x 3
22	13	1½"	60	33 x 3
26	15	2"	74	41 x 5
31	17	2¼"	80	47 x 5
38	21	2¾"	99	60 x 5
44	21	3½"	120	76 x 5
51	24	4"	138	91 x 5
61	26	5½"	179	110 x 5

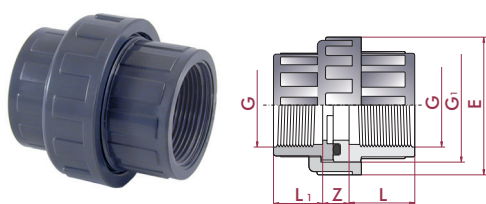
UP. 50. FT. MA - UNION MA

Union

- NPT female thread
- ASTM series
- EPDM O-Ring

Enlace 3 piezas

- Roscar hembra NPT
- Serie ASTM
- Anillo tórico en EPDM



G	DN	PN	REF.	CODE
½"	15	10	05 50 801	25476
¾"	20	10	05 50 802	25477
1"	25	10	05 50 803	25478
1¼"	32	10	05 50 804	25479
1½"	40	10	05 50 805	11811
2"	50	10	05 50 806	15692
2½"	65	10	05 50 807	53120

L	L ₁	Z	G ₁	E	o-ring
16	15	12	1"	41	20,2 x 3,5
19	17	12	1¼"	52	28,2 x 3,5
22	20	14	1½"	60	32,9 x 3,5
26	24	16	2"	74	40,6 x 5,3
31	25	18	2¼"	80	47,0 x 5,3
38	29	20	2¾"	99	59,7 x 5,3
44	34	21	3½"	120	75,6 x 5,3

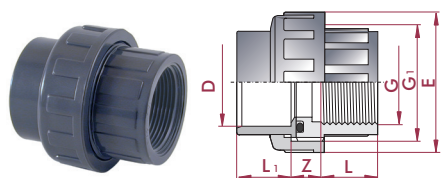
UP. 50. SFT. MA - UNION MA

Union adaptor

- Female solvent socket x NPT female thread
- ASTM series
- EPDM O-Ring

Enlace 3 piezas

- Encolar hembra x rosca hembra NPT
- Serie ASTM
- Anillo tórico en EPDM



D x G	DN	PN	REF.	CODE
1½" x 1½"	40	16	05 50 935 MA	11810
2" x 2"	50	16	05 50 936 MA	15691

L	Z	G ₁	E	o-ring
31	17	2¼"	90	47 x 5
38	21	2¾"	108	60 x 5

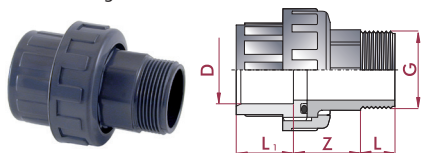
UP. 51. SMT. MA - UNION MA

Union adaptor

- Female solvent socket x NPT male thread
- ASTM series
- EPDM O-Ring

Enlace 3 piezas

- Encolar hembra x rosca macho NPT
- Serie ASTM
- Anillo tórico en EPDM



D x G	DN	PN	REF.	CODE
1½" x 1½"	40	16	05 51 935 MA	11813
2" x 2"	50	16	05 51 936 MA	15694

L ₁	L	Z
31	21	48
38	25	62

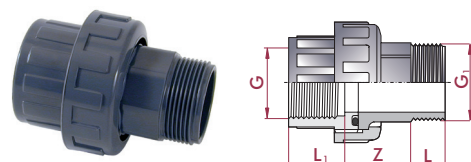
UP. 51. MFT. MA - UNION MA

Union

- NPT female x male thread
- ASTM series
- EPDM O-Ring

Enlace 3 piezas

- Roscar hembra x macho NPT
- Serie ASTM
- Anillo tórico en EPDM



G x G ₁	DN	PN	REF.	CODE
1" x 1"	25	10	05 51 803	71275
1¼" x 1¼"	32	10	05 51 804	71276
1½" x 1½"	40	10	05 51 805	11812
2" x 2"	50	10	05 51 806	15693

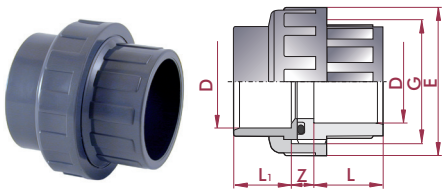
L ₁	L	Z
22	19	40
26	21	40
31	21	48
38	28	62

UP. 50. SF. MA ME - UNION MA ME
Union

- Female solvent socket
- ASTM - Metric Series
- EPDM O-Ring

Enlace 3 piezas

- Encolar hembra
- Serie ASTM - métrica
- Anillo tórico en EPDM



D	DN	PN	REF.	CODE
1" - 32	25	16	05 50 903 MAME	60557
1¼" - 40	32	16	05 50 904 MAME	60558
1½" - 50	40	16	05 50 905 MAME	66441
2" - 63	50	16	05 50 906 MAME	60561
3" - 90	80	10	05 50 908 MAME	60562
4" - 110	100	10	05 50 910 MAME	60563

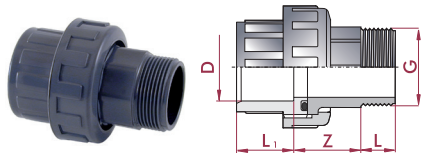
L	Z	G	E	o-ring
22	13	1½"	60	33 x 3
26	15	2"	74	41 x 5
31	17	2¼"	80	47 x 5
38	21	2¾"	99	60 x 5
51	24	4"	138	91 x 5
61	26	5½"	179	110 x 5

UP. 51. SMT. MA ME - UNION MA ME
Union adaptor

- Female solvent socket x BSP male thread
- ASTM series - Metric Series
- EPDM O-Ring

Enlace 3 piezas

- Encolar hembra x roscar macho BSP
- Serie ASTM - métrica
- Anillo tórico en EPDM



D x G	DN	PN	REF.	CODE
1½" x 1½"	40	16	05 99 281	0599281
2" x 2"	50	16	05 99 282	0599282
2½" x 2½"	65	16	05 99 283	0599283
3" x 3"	80	16	05 99 284	0599284

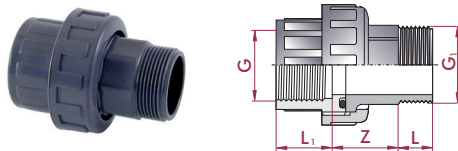
L ₁	L	Z
31	21	48
38	25	62
44	30	70
51	33	62

UP. 51. MFT. MA ME - UNION MA ME
Union

- BSP female x male thread NPT
- ASTM series
- ASTM series - Metric Series
- EPDM O-Ring

Enlace 3 piezas

- Roscar hembra BSP x macho NPT
- Serie ASTM
- Serie ASTM - métrica
- Anillo tórico en EPDM



D x G	DN	PN	REF.	CODE
1" x 1"	25	10	05 51 823	71300
1¼" x 1¼"	32	10	05 51 824	71301
1½" x 1½"	40	16	05 51 825	71302
2" x 2"	50	16	05 51 826	71303

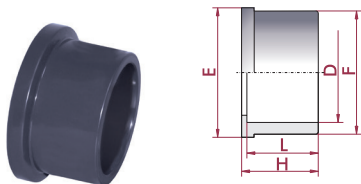
L ₁	L	Z
22	19	40
26	21	40
31	21	48
38	25	62

UP. 22. SF. MA - UNION END MA
Union end

- Female solvent socket
- ASTM series

Manguito enlace

- Encolar hembra
- Serie ASTM



D	DN	PN	REF.	CODE
½"	15	16	05 22 901 MA	22033
¾"	20	16	05 22 902 MA	22034
1"	25	16	05 22 903 MA	22035
1¼"	32	16	05 22 904 MA	22036
1½"	40	16	05 22 905 MA	22037
2"	50	16	05 22 906 MA	22038

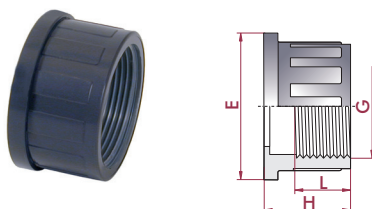
L	E	H	F
16	30	19	27
19	39	22	36
22	45	25	41
26	56	29	53
31	63	34	59
38	78	41	74

UP. 22. FT. MA - UNION END MA
Union end

- NPT female thread
- ASTM series

Manguito enlace

- Roscar hembra NPT
- Serie ASTM



G	DN	PN	REF.	CODE
½"	15	10	05 22 801	22051
¾"	20	10	05 22 802	22052
1"	25	10	05 22 803	22053
1¼"	32	10	05 22 804	22054
1½"	40	10	05 22 805	22055
2"	50	10	05 22 806	22056

L	H	E
15	21	30
17	23	39
20	26	45
24	30	56
25	35	63
29	42	78

SIGHT GLASSES VISORES DE LÍQUIDOS

- Necessary element to show the fluid pass through an installation, as well as displaying the liquid state (degree of turbidity).
- Two available models, with the sight glass in several materials (PMMA or SAN).

- Elemento necesario para mostrar el paso de líquido por una instalación, así como la visualización del estado del líquido (grado de turbidez).
- Dos modelos disponibles, con el visor en distintos materiales (PMMA o SAN).

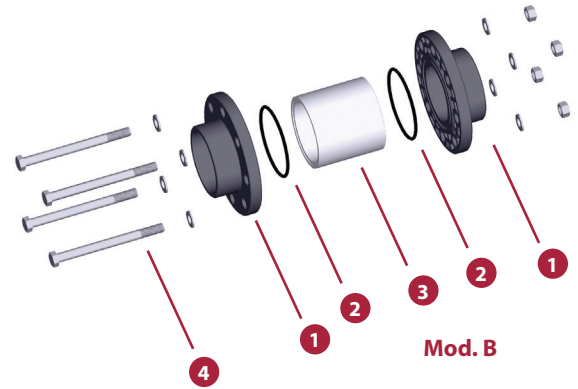
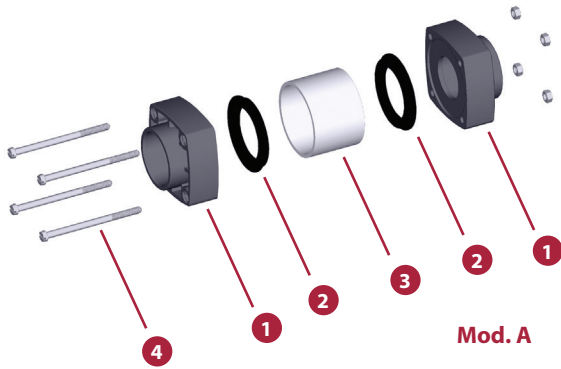
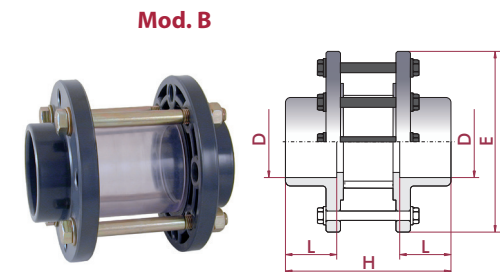
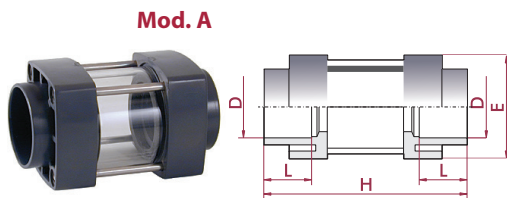


FIG.	Parts	Despiece	Material
1	Union / flange	Manguito / brida	PVC-U
2	O-ring	Junta	EPDM
3	Viewer	Visor	PMMA / SAN
4	Bolts	Tornillos	Zinc plated steel

UP. 54. SF

- Material:
D50 - D63: PMMA (Mod. A)
D75 - D225: SAN (Mod. B)
- 4 bolts
- Female solvent socket
- ASTM series

- Material:
D50 - D63: PMMA (Mod. A)
D75 - D225: SAN (Mod. B)
- 4 tornillos
- Encolar hembra
- Serie ASTM



D	DN	PN	REF.	CODE
1½"	40	6	05 54 905 MA	67817
2"	50	6	05 54 906 MA	67818
2½"	65	10	05 54 907 MA	67819
3"	80	10	05 54 908 MA	67820
4"	100	10	05 54 910 MA	67821
5"	110	10	05 54 913 MA	67822
6"	125	10	05 54 914 MA	67823
8"	150	10	05 54 917 MA	67824

L	H	E	Mod.
31	130	80	A
38	159	92	A
44	165	185	B
51	180	200	B
61	250	220	B
69	280	230	B
76	310	250	B
86	360	285	B

PVC-U VALVES

METRIC SERIES

BALL VALVES <i>VÁLVULAS DE BOLA</i>	01	PAG. 135
CHECK VALVES <i>VÁLVULAS ANTI-RETORNO</i>	02	PAG. 187
BUTTERFLY VALVES <i>VÁLVULAS DE MARIPOSA</i>	03	PAG. 217
ROTARY DISC VALVES <i>VÁLVULAS COMPUERTA ROTATORIA</i>	04	PAG. 236
DRAIN VALVES <i>VÁLVULAS DE PURGA</i>	05	PAG. 241
KNIFE GATE VALVES <i>VÁLVULAS DE GUILLOTINA</i>	06	PAG. 243
HYDRAULIC VALVES <i>VÁLVULAS HIDRÁULICAS</i>	07	PAG. 247
ANGLE SEAT VALVES <i>VÁLVULAS DE ASIENTO INCLINADO</i>	08	PAG. 254
AIR/VACUUM RELIEF VALVES <i>VÁLVULAS DE VENTOSA</i>	09	PAG. 266
ACTUATED VALVES <i>VÁLVULAS MOTORIZADAS</i>	10	PAG. 269

SELECTING THE RIGHT VALVE SELECCIÓN DE LA VÁLVULA ADECUADA

	Sizes Medidas	Adjustable Ajustable	Position indicator Indicador posición	Liquid w/particles Líquido c/partículas	Motorization possibility Posibilidad motorización	Connection possibilities Posibilidades de conexión
BALL VALVES VÁLVULAS DE BOLA	D16 - D110 (¾" - 4")	x	✓	x	✓	Solvent cement Threaded Socket fusion Flanged Spigot Compression Victaulic
CHECK VALVES VÁLVULAS ANTI-RETORNO	D16 - D110 (¾" - 4")	x	x	x	x	Solvent cement Threaded
SWING CHECK VALVES VÁLVULAS CLAPETA	D63 - D315 (2" - 12")	x	x	✓	x	Flanged
ROTATIVE VALVES VÁLVULAS ROTATORIAS	D50 - D75 (1½" - 2½")	x	✓	x	✓	Solvent cement
BUTTERFLY VALVES VÁLVULAS DE MARIPOSA	D63 - D315 (2" - 12")	✓	✓	✓	✓	Flanged
HYDRAULIC VALVES VÁLVULAS HIDRÁULICAS	D63 - D90 (2" - 3")	x	x	✓	✓	Solvent cement Threaded Flanged
ANGLE SEAT VALVES VÁLVULAS DE ASIENTO INCLINADO	D20 (¾")	✓	x	x	x	Solvent cement Threaded
KNIFE GATE VALVES VÁLVULA DE GUILLOTINA	D50 - D110 (1½" - 4")	x	✓	✓	x	Solvent cement Threaded Spigot

GENERAL SELECTION CRITERIA

CRITERIO GENERAL DE SELECCIÓN

- The medium transported basically determines the selection of valves.
- Pressure and temperature are important criteria.
- The valve is suited for a particular pressure and temperature can be determined from the technical data of the respective valve.
- The question as to which material will depend on the temperature and chemical resistance of the medium transported.
- Selection of the material for the valve seals should be done by taking our chemical resistance chart into account.

- Básicamente, la selección de la válvula viene determinada por el medio transportado.
- Importante tener en cuenta presión y temperatura.
- Se determina la válvula adecuada para cada presión/temperatura mediante sus características técnicas.
- El material elegido viene determinado por la temperatura y la resistencia química del medio transportado.
- Para seleccionar el material de la válvula y de los asientos, tener en cuenta la tabla de resistencias químicas.

Concept & typical application

- It controls flow by means of a rotating ball with a hole through it that allows straight-through flow in the open position.
- Shuts off flow when the ball is rotated 90° to block the flow passage.
- It is used for on-off.
- Possibility of electric and pneumatic actuation.
- > see also **Selecting ball valves**

Concepto y aplicaciones típicas

- Controla el paso del fluido mediante una bola rotativa con un agujero atravesándola. En posición abierta, el fluido pasa por medio del agujero.
- Detiene el fluido cuando la bola es girada 90° para bloquear su paso.
- Es usada para aplicaciones de abierto-cerrado.
- Posibilidad de actuación eléctrica y neumática.
- > ver **Selección de válvulas de bola**

- Valves with automatic operation.
- It operates without the need for external controls.
- Its operation depends on the direction of the flow and system pressure.
- Their main function is to allow the passage of the fluid only in one direction, allowing to work without fluid in the other direction, or avoiding undesired situations of draining in the line.
- > see also **Selecting check valves**

- Son válvulas de accionamiento automático.
- Funcionan sin controles externos.
- Dependen para su funcionamiento del sentido de circulación o de las presiones en el sistema de tubería.
- Su principal función es permitir el paso del fluido en un sólo sentido de la instalación, permitiendo trabajar sin fluido en el otro sentido o evitar situaciones de vaciados indeseados de la línea.
- > ver **Selección de válvulas anti-retorno**

- Valves with automatic operation.
- It operates without the need for external controls.
- Its operation depends on the direction of the flow and system pressure.
- Their main function is to allow the passage of the fluid only in one direction, allowing to work without fluid in the other direction, or avoiding undesired situations of draining in the line.
- > see also **Selecting check valves**

- Son válvulas de accionamiento automático.
- Funcionan sin controles externos.
- Dependen para su funcionamiento del sentido de circulación o de las presiones en el sistema de tubería.
- Su principal función es permitir el paso del fluido en un sólo sentido de la instalación, permitiendo trabajar sin fluido en el otro sentido o evitar situaciones de vaciados indeseados de la línea.
- > ver **Selección de válvulas anti-retorno**

- 3-way distribution valve.
- Controls flow by using a disk or vane with its pivot axis at right angles to change the direction of flow or pipe.
- Possibility of electric and pneumatic actuation.

- Válvula distribuidora a 3 vías.
- Controlan el paso del fluido usando un disco pivotando sobre su eje para cambiar la dirección del fluido o tubería.
- Posibilidad de actuación eléctrica.

- Controls flow by using a circular disk or vane with its pivot axis at right angles to the direction of flow in the pipe.
- Requires a minimum installation space.
- Is used both for on-off and throttling services.
- > see also **Selecting butterfly valves**

- Controlan el paso del fluido usando un disco circular pivotando sobre su eje central en la dirección del fluido.
- Requiere un espacio mínimo de instalación.
- Es usado para aplicaciones de abierto-cerrado y de regulación.
- > ver **Selección de válvulas de mariposa**

- Operated by pipeline pressure or by external pressure (which is equal to the pipeline pressure).
- The reinforced rubber diaphragm seals the water passage when the line pressure reaches the valve's control chamber.
- Relieving the pressure from the control chamber causes the valve to open.
- The valve's only moving part is its diaphragm: no shaft, seals, or bearings are located within the water passage.
- Valve can be supplied in different versions with a wide range of control functions.

- Operada mediante la presión del sistema o una entrada de presión externa (equivalente a la presión del sistema).
- El diafragma de caucho reforzado sella el paso del fluido cuando la presión del sistema llega a la presión de la cámara de control.
- Disminuyendo la presión de la cámara, el diafragma se relaja, y la válvula se abre.
- La única parte móvil de la válvula es el diafragma, no hay más obstáculos en el paso del fluido.
- La válvula se puede adquirir en distintas versiones de funciones de control.

- Controls flow by using a closing cone which is lowered by means of a handwheel to gradually block the flow passage.
- The valve is used for on-off but specially for throttling services (regulation valve).

- Controla el paso del fluido usando un cono de cierre que se regula mediante un volante exterior que cierra el paso gradualmente.
- La válvula es usada específicamente para funciones de regulación de caudal.

- General service valve used primarily for on-off, non-throttling service.
- The valve is closed by a vertical disk that is pushed down through the valve to block the flow.

- Válvula de servicio general para aplicaciones de abierto-cerrado, no permite regulación.
- La válvula se cierra cuando el disco vertical es presionado hacia abajo y bloquea el paso del fluido.

BALL VALVES VÁLVULAS DE BOLA

01



[STD] SERIES

140



STANDARD SERIES

149



INDUSTRIAL SERIES

155



CONNECTIT SYSTEM

163



e-QUA SERIES

168



PN10 SERIES

172



UNIBLOCK SERIES

177








3-WAY SERIES

182

SELECTING BALL VALVES

SELECCIÓN DE VÁLVULAS DE BOLA

		Sizes <i>Medidas</i>	PN	Body material <i>Material cuerpo</i>	Seats/O-rings <i>Asiento/juntas</i>	Seal carrier <i>Portajuntas</i>	Motorization <i>Motorización</i>	Connection type <i>Tipo conexión</i>
	[STD] SERIES	D16 - D63 ($\frac{3}{8}$ " - 2")	PN 16 240 psi	PVC-U PVC-C	HDPE PTFE	Threaded	NO	True union
		D75 - D110 (2½" - 4")	PN 10 150 psi		EPDM FPM			
	STANDARD SERIES	D16 - D63 ($\frac{3}{8}$ " - 2")	PN 16 240 psi	PVC-U	HDPE PTFE	Pressure	NO	True union
		D75 - D110 (2½" - 4")	PN 10 150 psi		EPDM FPM			
	INDUSTRIAL SERIES	D16 - D63 ($\frac{3}{8}$ " - 2")	PN 16 240 psi	PVC-U PVC-C	PTFE	Threaded	ELECTRIC PNEUMATIC	True union
		D75 - D110 (2½" - 4")	PN 10 150 psi		EPDM FPM			
	e-QUA SERIES	D50 - D63 (1½" - 2")	PN 12 180 psi	PVC-U	HDPE EPDM	Threaded	NO	True union
	PN10 SERIES	D50 - D63 (1½" - 2")	PN 10 150 psi	PVC-U	HDPE EPDM	Pressure	NO	True union
	UNIBLOCK SERIES	D20 - D90 (½" - 3")	PN 10 150 psi	PVC-U	HDPE EPDM	Pressure	NO	Single union
	3-WAY SERIES	D50 (1½")	PN 10 150 psi	PVC-U	HDPE EPDM	Threaded	ELECTRIC PNEUMATIC	True union

Concept
&
typical application

Concepto
y
aplicaciones típicas

- Double union ball valve for water applications (irrigation, water treatment, ...).
- Installation by union nuts (true union). Easy assembly and maintenance.
- Completely made in plastic. Avoids all corrosion problems.
- Machined shafts and polished balls to guarantee a perfect operation.
- 100% of Cepex ball valves are factory tested.

- Válvula de bola de doble unión para aplicaciones de agua (riego, tratamiento de aguas, ...).
- Instalación mediante enlaces con tuercas. Facilita el montaje y el mantenimiento.
- Totalmente construida en plástico. Evita cualquier posibilidad de corrosión.
- Ejes mecanizados y bolas pulidas para garantizar una perfecta operación.
- El 100% de las válvulas de bola Cepex han sido testeadas en fábrica.

- Double union ball valve for industrial applications requiring the most demanding features.
- Installation by union nuts (true union). Easy assembly and maintenance.
- Completely made in plastic. Avoids all corrosion problems.
- Machined shafts and polished balls to guarantee a perfect operation.
- 100% of Cepex ball valves are factory tested.

- Válvula de bola de doble unión para aplicaciones industriales o que requieran de las prestaciones más exigentes.
- Instalación mediante enlaces con tuercas. Facilita el montaje y el mantenimiento.
- Totalmente construida en plástico. Evita cualquier posibilidad de corrosión.
- Ejes mecanizados y bolas pulidas para garantizar una perfecta operación.
- El 100% de las válvulas de bola Cepex han sido testeadas en fábrica.

- Double union ball valve for industrial applications requiring the most demanding features.
- In addition to the features offered by the Standard Series, it features a threaded seal-carrier to facilitate maintenance, allowing the valve to be disassembled even with pressure.
- Available in PVC-U, but also in PVC-C for applications demanding high temperatures.
- Industrial Series ball valves are also available with electric or pneumatic actuators.

- Válvula de bola de doble unión para aplicaciones industriales o que requieran de las prestaciones más exigentes.
- A las características de la Serie Standard, añade un portajuntas roscado que facilita el mantenimiento, permitiendo el desmontaje de la válvula con la instalación bajo presión.
- Además está disponible en PVC-U, pero también en PVC-C, para aplicaciones con requerimientos de temperatura más elevados.
- La Serie Industrial también se encuentra disponible con actuación eléctrica o neumática.

- Double union ball valve specially designed for swimming pool applications.
- Available in the most usual sizes in swimming pool installations: 50 and 63.

- Válvula de bola de doble unión especialmente pensada para aplicaciones de piscina.
- Disponible en los diámetros habituales de las instalaciones de piscina: 50 y 63.

- Double union ball valve specially designed for swimming pool applications.
- Available in the most usual sizes in swimming pool installations: 50 and 63.

- Válvula de bola de doble unión especialmente pensada para aplicaciones de piscina.
- Disponible en los diámetros habituales de las instalaciones de piscina: 50 y 63.

- Single union ball valve for water applications (irrigation, water treatment, ...).
- Installation by union nuts (true union) only in one side.
- Completely made in plastic. Avoids all corrosion problems.
- Machined shafts and polished balls to guarantee a perfect operation.
- 100% of Cepex ball valves are factory tested.

- Válvula de bola de unión simple para aplicaciones de agua (riego, tratamiento de aguas, ...).
- Instalación mediante enlaces con tuercas en uno de los lados. Facilita el montaje y el mantenimiento.
- Totalmente construida en plástico. Evita cualquier posibilidad de corrosión.
- Ejes mecanizados y bolas pulidas para garantizar una perfecta operación.
- El 100% de las válvulas de bola Cepex han sido testeadas en fábrica.

- 3-way or 3 outlets/unions ball valve for applications which require a change of line.
- Installation by union nuts (true union) in the three sides, possibility of union by self-align union. Easy assembly and maintenance.
- Completely made in plastic. Avoids all corrosion problems.
- Machined shafts and polished balls to guarantee a perfect operation.
- 100% of Cepex ball valves are factory tested.

- Válvula de 3 vías o 3 salidas/uniones para aplicaciones que requieran un cambio de línea.
- Instalación mediante enlaces con tuercas en los tres lados, posibilidad de unión con manguito orientable. Facilita el montaje y el mantenimiento.
- Totalmente construida en plástico. Evita cualquier posibilidad de corrosión.
- Ejes mecanizados y bolas pulidas para garantizar una perfecta operación.
- El 100% de las válvulas de bola Cepex han sido testeadas en fábrica.

SELECTING BALL VALVES

SELECCIÓN DE VÁLVULAS DE BOLA

	Solvent socket <i>Encolar hembra</i>	Female thread <i>Roscar hembra</i>	Male solvent socket <i>Encolar macho</i>	Male thread <i>Roscar macho</i>	Flanges <i>Bridas</i>	Compression <i>Compresión</i>
[STD] Series PVC-U	✓	✓	ConnectIt	ConnectIt		✓
[STD] Series PVC-C	✓	✓				
Standard Series PVC-U	✓	✓	ConnectIt	ConnectIt		ConnectIt
Industrial Series PVC-U	✓	✓	ConnectIt	ConnectIt	✓	ConnectIt
Industrial Series PVC-C	✓	✓	ConnectIt	ConnectIt		
e-QUA Series PVC-U	✓	✓				
PN10 Series PVC-U	✓	✓	✓	✓		✓
Uniblock Series PVC-U	✓	✓		✓		✓
3-Way Series PVC-U	✓	✓				

	DN15	DN20	DN25	DN32	DN40	DN50	DN65	DN75	DN80	DN100
[STD] Series PVC-U	PN16						PN10			
[STD] Series PVC-C	PN16						PN10			
Standard Series PVC-U	PN16						PN10			
Industrial Series PVC-U	PN16						PN10			
Industrial Series PVC-C	PN16						PN10			
e-QUA Series PVC-U					PN12					
PN10 Series PVC-U					PN10					
Uniblock Series PVC-U	PN10									
3-Way Series PVC-U					PN10					

PVC-U BALL VALVES - [STD] SERIES

VÁLVULAS DE BOLA PVC-U - SERIE [STD]



Sizes	Solvent cement D16 - D110 (DN10-DN100) Threaded 3/8" - 4"	
Standard end connections	Solvent socket - Metric, ASTM, British standard Threaded - BSP, NPT Butt welding - SDR11 Compression - Metric, IPS, CTS	EN ISO 1452, EN ISO 15493, BS 4346-1, ASTM D 2467 ISO 228-1, ASTM D 2464
Working pressure	@ 20°C (73°F) D16 - D63 (3/8" - 2"): PN 16 (240 psi) D75 - D110 (2 1/2" - 4"): PN 10 (150 psi)	
Materials	O-rings: EPDM / FPM	Ball seats: HDPE / PTFE
Characteristics	<ul style="list-style-type: none"> • Threaded seal-carrier for upstream maintenance without emptying the system. • Handle built-in tool for easy adjustment of the threaded seal-carrier (and ball torque). • "Antiblock" system that avoids ball blockage. • 100% factory tested. • Minimal pressure drop. • Low operating torque. • Resistance to many inorganic chemicals. • Excellent flow characteristics. 	<ul style="list-style-type: none"> • Portajuntas roscado para el mantenimiento de la válvula sin necesidad de vaciar el sistema. • Llave incorporada en la maneta para ajuste del portajuntas roscado (ajuste del par). • Sistema "Antiblock" que evita el bloqueo de la bola. • Probadas al 100% en fábrica. • Mínima pérdida de carga. • Bajo par de maniobra de apertura y cierre. • Resistencia a múltiples sustancias químicas inorgánicas. • Excelentes características de conducción.
Certifications / Regulations	Ball valve design regulation - EN ISO 16135	

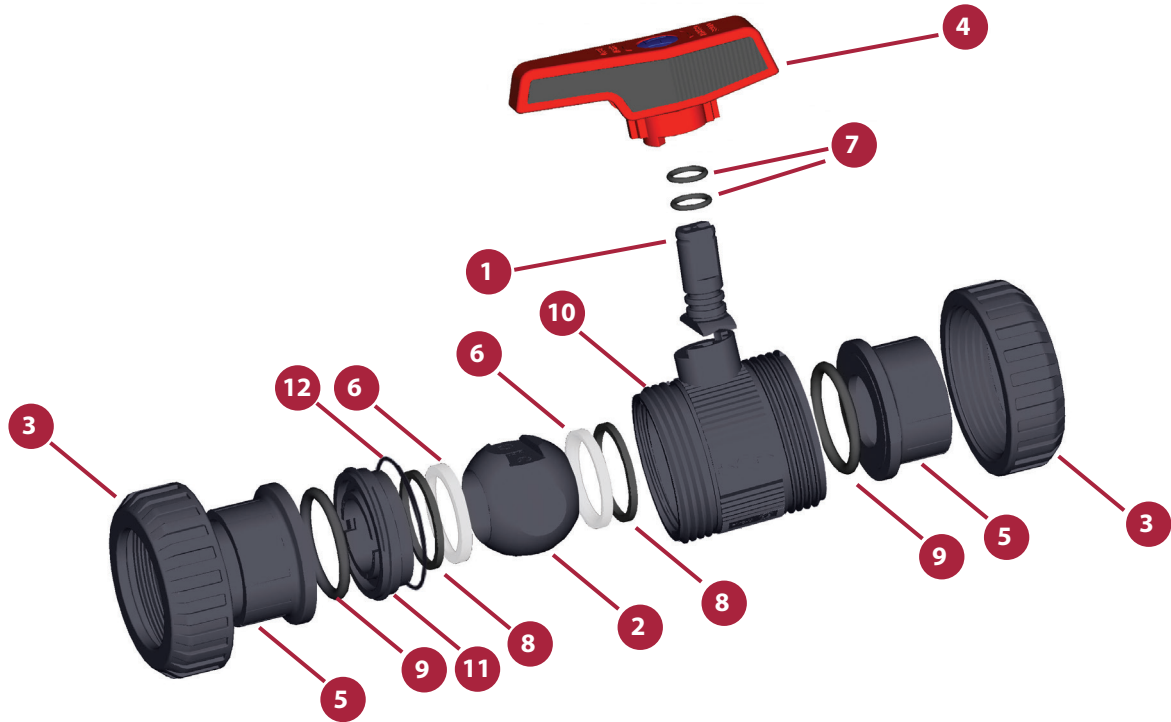
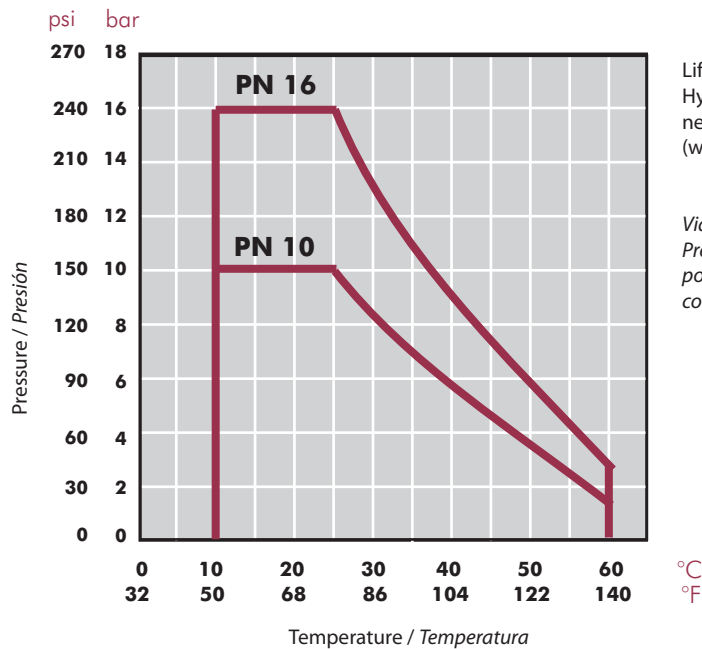


FIG.	Parts	Despiece	Material
1	Shaft	Eje	PVC-U
2	Ball	Bola	PVC-U
3	Union nut	Tuerca	PVC-U
4	Handle	Conjunto maneta	PP+GR + TPE
5	End connector	Manguito enlace	PVC-U
6	Ball seat	Asiento bola	HDPE / PTFE
7	Shaft o-ring	Junta eje	EPDM / FPM
8	Dampener seal	Junta amortiguación	EPDM / FPM
9	End connector o-ring	Junta manguito	EPDM / FPM
10	Body	Cuerpo	PVC-U
11	Seal-carrier	Portajuntas	PVC-U
12	Body o-ring	Junta cuerpo	EPDM / FPM

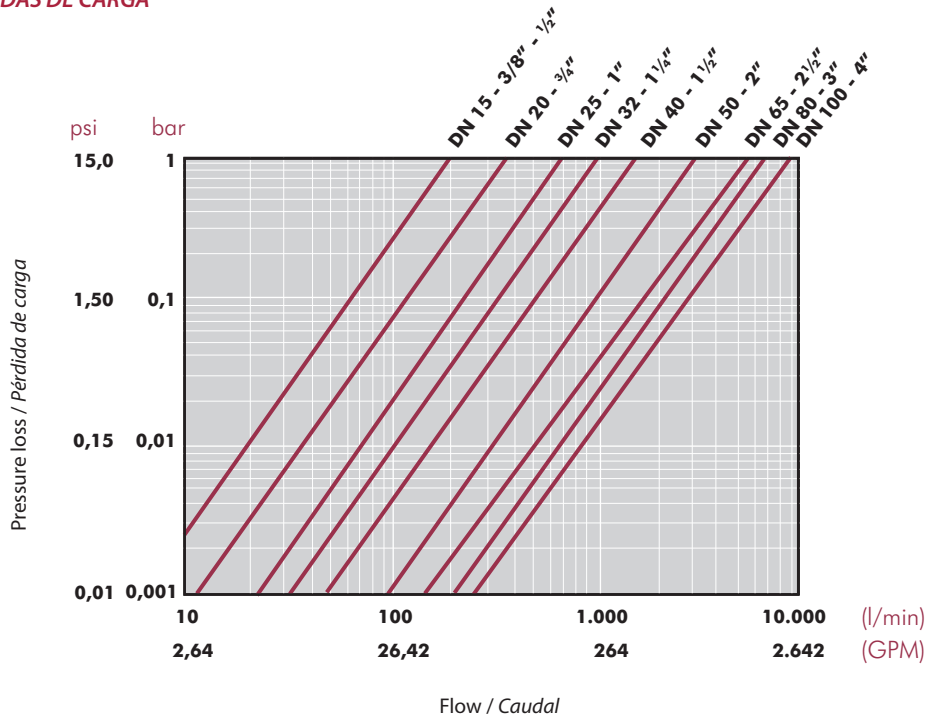
PRESSURE / TEMPERATURE GRAPH
DIAGRAMA PRESIÓN / TEMPERATURA



Life: 25 years
 Hydrostatic maximum pressure a component may withstand in continuous service (without overpressure)

Vida útil: 25 años
 Presión hidrostática máxima que un componente es capaz de soportar en servicio continuo (sin sobrepresión)

PRESSURE LOSS DIAGRAM
DIAGRAMA DE PÉRDIDAS DE CARGA



RELATIVE FLOW
FLUJO RELATIVO

D	16-3/8"	20-1/2"	25-3/4"	32-1"	40-1 1/4"	50-1 1/2"	63-2"	75-2 1/2"	90-3"	110-4"
DN	10	15	20	25	32	40	50	65	80	100
Kv ₁₀₀	75	190	380	690	980	1.600	3.000	5.500	6.800	8900
Cv	5,3	13,3	26,6	48,3	68,6	112	210,1	385,2	476,2	623,2

$Cv = Kv_{100} / 14,28$
 Kv_{100} (l/min, $\Delta p = 1$ bar)
 Cv (GPM, $\Delta p = 1$ psi)

OPERATING TORQUE CHART
TABLA DE PAR DE MANIOBRA

D	16-3/8"	20-1/2"	25-3/4"	32-1"	40-1 1/4"	50-1 1/2"	63-2"	75-2 1/2"	90-3"	110-4"
DN	10	15	20	25	32	40	50	65	80	100
Nm	1	1	2	3,5	3,5	5	15	25	45	60
in-lbf	8,9	8,9	17,7	31	31	44,3	132,8	221,3	398,3	531

Operating torque values at rated pressure (PN) and 20 °C in as new direct from the factory condition. Installation and operating conditions (pressure and temperature) will affect these values.

Los valores de par de giro se determinan a presión nominal (PN) y a 20 °C, en condiciones de salida de fábrica. Las condiciones de instalación y operación (presión y temperatura) afectarán a estos valores.

ASSEMBLY INSTRUCTIONS

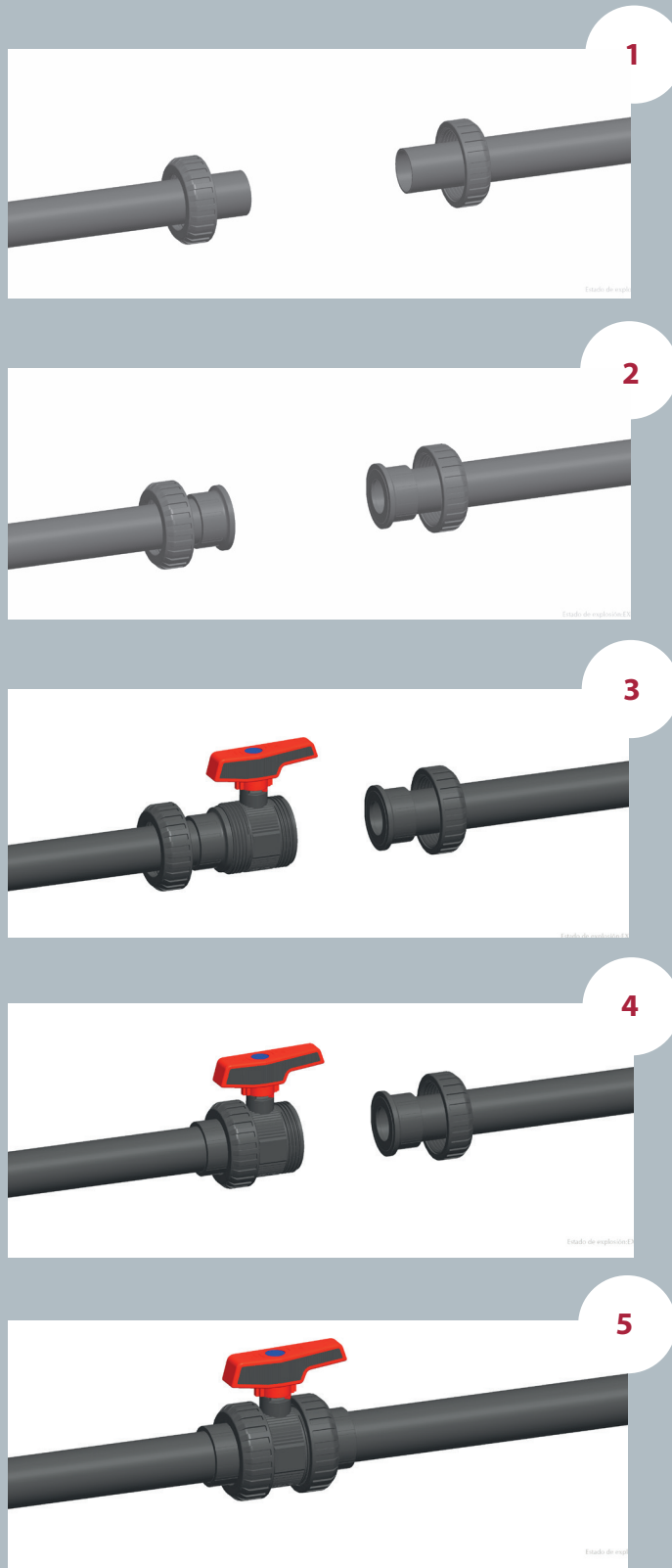
Solvent socket or threaded unions

Loosen the valve union nuts (3) and separate these and the end connectors (5) from the valve body. Pass the pipe through the nuts and then place the bushes over the end of the pipe. The socket unions should be glued onto the pipe using a PVC-U or PVC-C adhesive and pressure should not be applied to the system until a drying period of at least 1 hour per bar of working pressure has elapsed. In the case of threaded unions, PTFE tape should be applied to the male threads. The pipes can now be attached to the valve by hand tightening down the nuts.

INSTRUCCIONES DE MONTAJE

Uniones encoladas o roscadas

Afloje las tuercas (3) de la válvula y sepárelas de los manguitos (5). Introduzca las tuercas en los tubos y a continuación fije los manguitos en los extremos del tubo. Las uniones encoladas se realizarán con un adhesivo para tubos de PVC-U o PVC-C rígido y no se aplicará presión hasta transcurridas al menos 1 hora por bar. En las uniones roscadas se colocará cinta de PTFE en las roscas macho. A continuación ya podrá colocarse la válvula entre los manguitos y apretar a mano las tuercas sobre la válvula.



SEAL-CARRIER

[STD] Series - Threaded seal-carrier

[STD] Series feature a threaded seal-carrier instead of the push-fit system. The threaded seal-carrier allows for upstream maintenance without emptying the system.

A closed valve with a push-fit seal-carrier will not withstand system pressure: when the nut is disassembled, the seal-carrier gets free.

On the other side, a valve with a threaded seal-carrier will supports the system pressure thanks to the thread.

With Cepex valves, it is possible to disassemble the valve (only upstream) to carry out installation maintenance.

PORTAJUNTAS

Serie [STD] - Portajuntas roscado

La Serie [STD], al llevar el portajuntas roscado en vez de estar insertado a presión, permite el mantenimiento aguas arriba sin necesidad de vaciar el sistema.

Con un portajuntas a presión, la presión del sistema (con la válvula cerrada) hace que éste salte al intentar desmontar la válvula.

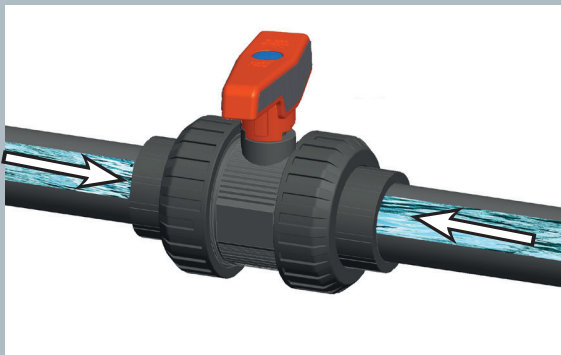
Con un portajuntas roscado, al desmontar la válvula, la rosca aguanta toda la presión del sistema sin ceder.

Ahora podemos desmontar la válvula (en su parte aguas arriba) para realizar el mantenimiento de la instalación.



Fluid comes from the pump and goes through the open valve.

El fluido sale de la bomba y pasa por la válvula abierta.



When the valve is closed, fluid exerts pressure in both directions.

Cerrando la válvula, el fluido ejerce presión en ambos lados.



With the threaded seal-carrier, we are able to isolate the pump zone for maintenance. The thread is supporting the pressure of the system.

Con el portajuntas roscado, podemos aislar la zona de la bomba para su mantenimiento. La rosca aguanta la presión del sistema.

ADJUSTMENT AND MAINTENANCE OF THE VALVES

Provided that there is no pressure in the circuit, with the valve closed maintenance can be carried out on any component in the valve line.

The following steps can be carried out while maintaining system pressure.

The valve is factory adjusted to ensure correct operation over long periods of time. Nevertheless, it is possible to readjust the clamping force on the ball if it is required. This operation is carried out by using the handle (4) which is attached to the bottom of the valve.

To carry out this operation it is first necessary to disassemble the two nuts and remove the valve. Introduce the handle (4) into the slot which forms part of the seal-carrier (13) and turn the adjusting tool either (a) clockwise to loosen the seal or (b) anticlockwise to tighten the seal.

When the time comes to replace any part of the valve, this can be easily done. First, use the adjusting tool to turn the seal-carrier (13) clockwise until it comes free. At this stage, any of the body O-rings (6,8,9) or the ball (2) can be replaced. If it is necessary to change the shaft (1) or its O-rings (7), then the ball should be removed. Pressing down will then free the shaft. Please beware that excessively tightening the seal holder will increase the valve actining torque which in turn may cause problems with motorized actuators.

When reassembling the valve, lubricate the seals with vaseline or silicone. Never use greases or mineral oils.

REGULACIÓN Y MANTENIMIENTO DE LA VÁLVULA

Es posible realizar el mantenimiento de cualquiera de los extremos de la línea conectados a la válvula manteniendo la instalación bajo presión. Simplemente cerrando la válvula, ésta actuará como tapón en cualquiera de los dos sentidos. Las operaciones a continuación descritas se realizarán siempre sin fluido en la línea.

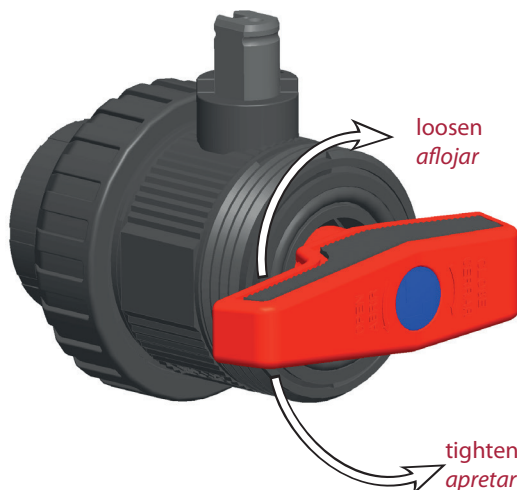
La válvula está ajustada en fábrica para un correcto y prolongado funcionamiento. No obstante, es posible reajustar la fuerza de apriete de la junta de cierre sobre la bola cuando las condiciones de uso lo requieran. Esta operación se llevará a cabo con ayuda de la maneta (4) que se adjunta en la parte inferior de la válvula.

Para ello desmonte las tuercas (3) de la válvula y extráigala de su alojamiento. Introduzca la maneta (4) en la ranura que a tal efecto tiene el portajuntas (13) y gírela en sentido antihorario para apretar la junta y horario para aflojarla.

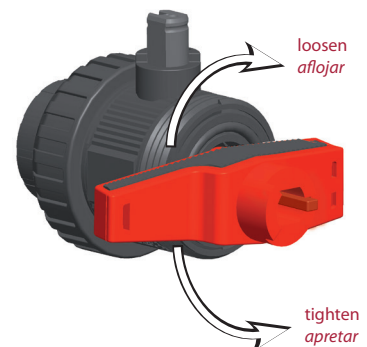
En caso se desgaste de algún componente de la válvula, podrá ser sustituido desmontando el conjunto del cuerpo de la válvula. Para ello proceda igual que con la regulación pero gire en sentido horario hasta que el portajuntas quede libre. Llegado este punto podrá sustituir cualquiera de las juntas del cuerpo (6,8,9) o la bola (2). Si fuera necesario sustituir el eje (1) o sus juntas (7) debería extraer la bola. Nótese que un apriete excesivo sobre el portajuntas puede influir en el par de accionamiento lo que puede perjudicar a los actuadores de válvulas motorizadas.

El montaje se realiza siguiendo el proceso inverso pero teniendo siempre la precaución de lubricar las juntas con vaselina neutra o silicona. No utilizar grasas o aceites minerales.

D32 (1") -
D110 (4")



D16 ($\frac{3}{8}$ ") -
D25 ($\frac{3}{4}$ ")



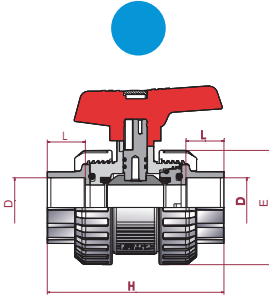
UP. 60ST. SF5 - [STD] BALL VALVE

[STD] ball valve

- PVC-U body
- Female solvent socket
- Metric series
- Ball seat in HDPE
- O-Rings in EPDM
- Blue dot

Válvula de bola [STD]

- Cuerpo en PVC-U
- Encolar hembra
- Serie métrica
- Juntas asiento bola en HDPE
- Anillos tóricos en EPDM
- Distintivo azul



D	DN	PN	REF.	CODE
16	10	16	60 60 016	36500
20	15	16	60 60 020	36501
25	20	16	60 60 025	36502
32	25	16	60 60 032	36503
40	32	16	60 60 040	36504
50	40	16	60 60 050	36505
63	50	16	60 60 063	36506
75	65	10	60 60 075	36507
90	80	10	60 60 090	36508
110	100	10	60 60 111	36509

L	H	E
13	87	50
16	87	50
19	101	61
22	122	70
26	135	81
31	149	96
38	174	118
44	216	146
51	256	176
63	359	228

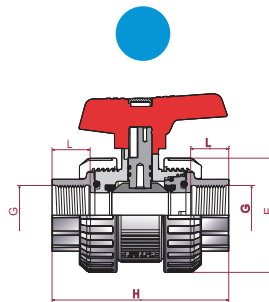
UP. 60ST. FT5 - [STD] BALL VALVE

[STD] ball valve

- PVC-U body
- BSP female thread
- Ball seat in HPDE
- O-Rings in EPDM
- Blue dot

Válvula de bola [STD]

- Cuerpo en PVC-U
- Rosca hembra BSP
- Juntas asiento bola en HPDE
- Anillos tóricos en EPDM
- Distintivo azul



G	DN	PN	REF.	CODE
3/8"	10	16	60 60 616	36510
1/2"	15	16	60 60 620	36511
3/4"	20	16	60 60 625	36512
1"	25	16	60 60 632	36513
1 1/4"	32	16	60 60 640	36514
1 1/2"	40	16	60 60 650	36515
2"	50	16	60 60 663	36516
2 1/2"	65	10	60 60 675	36517
3"	80	10	60 60 690	36518
4"	100	10	60 60 711	36519

L	H	E
13	87	50
16	87	50
19	101	61
22	122	70
26	135	81
31	149	96
38	174	118
44	216	146
51	256	176
63	359	228

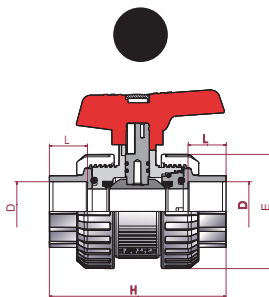
UP. 61ST. SF6 - [STD] BALL VALVE

[STD] ball valve

- PVC-U body
- Female solvent socket
- Metric series
- Ball seat in PTFE
- O-Rings in EPDM pero.
- Black dot

Válvula de bola [STD]

- Cuerpo en PVC-U
- Encolar hembra
- Serie métrica
- Juntas asiento bola en PTFE
- Anillos tóricos en EPDM pero.
- Distintivo negro



D	DN	PN	REF.	CODE
16	10	16	60 61 016	41866
20	15	16	60 61 020	37039
25	20	16	60 61 025	37040
32	25	16	60 61 032	37041
40	32	16	60 61 040	37042
50	40	16	60 61 050	37043
63	50	16	60 61 063	37044
75	65	10	60 61 075	37045
90	80	10	60 61 090	41867
110	100	10	60 61 111	41868

L	H	E
13	87	50
16	87	50
19	101	61
22	122	70
26	135	81
31	149	96
38	174	118
44	216	146
51	256	176
63	359	228

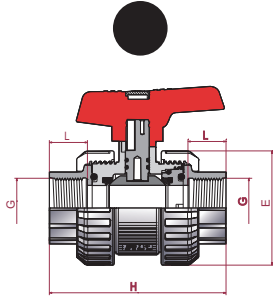
UP. 61ST. FT5 - [STD] BALL VALVE

[STD] ball valve

- PVC-U body
- BSP female thread
- Ball seat in PTFE
- O-Rings in EPDM perox.
- Black dot

Válvula de bola [STD]

- Cuerpo en PVC-U
- Rosca hembra BSP
- Juntas asiento bola en PTFE
- Anillos tóricos en EPDM perox.
- Distintivo negro



G	DN	PN	REF	CODE
3/8"	10	16	60 61 616	41869
1/2"	15	16	60 61 620	37047
3/4"	20	16	60 61 625	37048
1"	25	16	60 61 632	37049
1 1/4"	32	16	60 61 640	37050
1 1/2"	40	16	60 61 650	37051
2"	50	16	60 61 663	37052
2 1/2"	65	10	60 61 675	37053
3"	80	10	60 61 690	41870
4"	100	10	60 61 711	41871

L	H	E
13	87	50
16	87	50
19	101	61
22	122	70
26	135	81
31	149	96
38	174	118
44	216	146
51	256	176
63	359	228

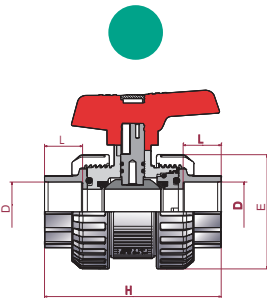
UP. 61ST. SF7 - [STD] BALL VALVE

[STD] ball valve

- PVC-U body
- Female solvent socket
- Metric series
- Ball seat in PTFE
- O-Rings in FPM
- Green dot

Válvula de bola [STD]

- Cuerpo en PVC-U
- Encolar hembra
- Serie métrica
- Juntas asiento bola en PTFE
- Anillos tóricos en FPM
- Distintivo verde



D	DN	PN	REF.	CODE
16	10	16	60 61 016 VI	57725
20	15	16	60 61 020 VI	57724
25	20	16	60 61 025 VI	57726
32	25	16	60 61 032 VI	57727
40	32	16	60 61 040 VI	57728
50	40	16	60 61 050 VI	57729
63	50	16	60 61 063 VI	57730
75	65	10	60 61 075 VI	57731
90	80	10	60 61 090 VI	57732
110	100	10	60 61 111 VI	57733

L	H	E
13	87	50
16	87	50
19	101	61
22	122	70
26	135	81
31	149	96
38	174	118
44	216	146
51	256	176
63	359	228

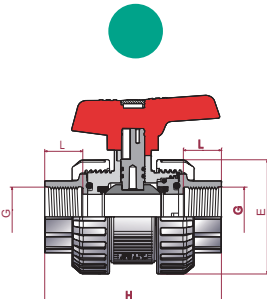
UP. 61ST. FT7 - [STD] BALL VALVE

[STD] ball valve

- PVC-U body
- BSP female thread
- Ball seat in PTFE
- O-Rings in FPM
- Green dot

Válvula de bola [STD]

- Cuerpo en PVC-U
- Rosca hembra BSP
- Juntas asiento bola en PTFE
- Anillos tóricos en FPM
- Distintivo verde



G	DN	PN	REF.	CODE
3/8"	10	16	60 61 616 VI	57734
1/2"	15	16	60 61 620 VI	57735
3/4"	20	16	60 61 625 VI	57736
1"	25	16	60 61 632 VI	57737
1 1/4"	32	16	60 61 640 VI	57738
1 1/2"	40	16	60 61 650 VI	57739
2"	50	16	60 61 663 VI	57740
2 1/2"	65	10	60 61 675 VI	57741
3"	80	10	60 61 690 VI	57742
4"	100	10	60 61 711 VI	57743

L	H	E
13	87	50
16	87	50
19	101	61
22	122	70
26	135	81
31	149	96
38	174	118
44	216	146
51	256	176
63	359	228

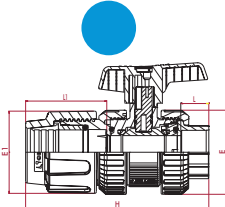
UP. 63ST. PESF5 - [STD] BALL VALVE

[STD] ball valve

- PVC-U body
- Female solvent socket x PE compression connection
- Metric series
- Ball seat in HDPE
- O-Rings in EPDM
- Blue dot

Válvula de bola [STD]

- Cuerpo en PVC-U
- Encolar hembra x conexión compresión PE
- Serie métrica
- Juntas asiento bola en HDPE
- Anillos tóricos en EPDM
- Distintivo azul



D	DN	PN	REF.	CODE
20	15	16	60 63 020	43535
25	20	16	60 63 025	43536
32	25	16	60 63 032	43537
40	32	16	60 63 040	43538
50	40	16	60 63 050	43539
63	50	16	60 63 063	43540

L	L1	E	E1	H
16	45	50	44	116
19	55	61	56	137
22	64	70	65	164
26	82	81	80	191
31	93	96	94	211
38	103	118	112	239

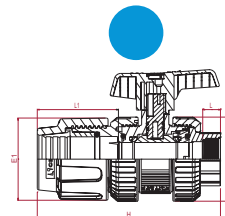
UP. 63ST. PEFT5 - [STD] BALL VALVE

[STD] ball valve

- PVC-U body
- BSP female thread x PE compression connection
- Ball seat in HPDE
- O-Rings in EPDM
- Blue dot

Válvula de bola [STD]

- Cuerpo en PVC-U
- Rosca hembra BSP x conexión compresión PE
- Juntas asiento bola en HPDE
- Anillos tóricos en EPDM
- Distintivo azul



G	DN	PN	REF.	CODE
20 - 1/2"	15	16	60 63 420	43541
25 - 3/4"	20	16	60 63 425	43542
32 - 1"	25	16	60 63 432	43543
40 - 1 1/4"	32	16	60 63 440	43544
50 - 1 1/2"	40	16	60 63 450	43545
63 - 2"	50	16	60 63 463	43546

L	L1	E	E1	H
13	45	50	44	116
15	55	61	56	137
18	64	70	65	164
20	82	81	80	191
20	93	96	94	211
24	103	118	112	239

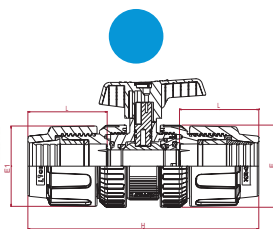
UP. 63ST. PE5 - [STD] BALL VALVE

[STD] ball valve

- PVC-U body
- PE compression connection
- Metric series
- Ball seat in PTFE
- O-Rings in EPDM perox.
- Blue dot

Válvula de bola [STD]

- Cuerpo en PVC-U
- Conexión compresión PE
- Serie métrica
- Juntas asiento bola en PTFE
- Anillos tóricos en EPDM perox.
- Distintivo azul



D	DN	PN	REF.	CODE
20	15	16	60 63 620	43547
25	20	16	60 63 625	43548
32	25	16	60 63 632	43549
40	32	16	60 63 640	43550
50	40	16	60 63 650	43551
63	50	16	60 63 663	43552

L	E	E1	H
45	50	44	145
55	61	56	173
64	70	65	206
82	81	80	247
93	96	94	273
103	118	112	304

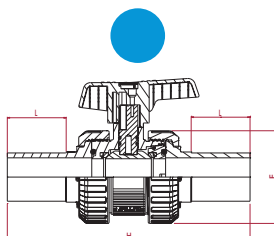
UP. 60ST. BW11 - [STD] BALL VALVE

[STD] ball valve

- PVC-U body
- PE100 connection (butt welding or electrofusion)
- Ball seat in HPDE
- O-Rings in EPDM perox.
- Blue dot

Válvula de bola [STD]

- Cuerpo en PVC-U
- Conexión PE100 SDR11 (soldadura a tope o electrosoldable)
- Juntas asiento bola en HPDE
- Anillos tóricos en EPDM perox.
- Distintivo azul



G	DN	PN	REF.	CODE
20	15	16	60 60 220 PE	44755
25	20	16	60 60 225 PE	44756
32	25	16	60 60 232 PE	44757
40	32	16	60 60 240 PE	44758
50	40	16	60 60 250 PE	44759
63	50	16	60 60 263 PE	44760
75	65	10	60 60 275 PE	44761
90	80	10	60 60 290 PE	44762
110	100	10	60 60 311 PE	44763

L	H	E	S
45	169	50	2,3
48	190	61	2,3
51	205	70	3
56	227	81	3,7
61	251	96	4,6
72	298	118	5,8
76	324	146	6,8
84	366	176	8,2
95	466	228	10

PVC-U BALL VALVES - STANDARD SERIES

VÁLVULAS DE BOLA PVC-U - SERIE STANDARD



Sizes	Solvent cement D16 - D110 (DN10-DN100) Threaded 3/8" - 4"	
Standards	Solvent socket - Metric, British Standard, ASTM, JIS Threaded - BSP, NPT Compression - metric, IPS, CTS	EN ISO 1452, EN ISO 15493, BS 4346-1, ASTM D 2467, JIS K 6743 ISO 228-1, ASTM D 2464
Working pressure	@ 20°C (73°F) D16 - D63 (3/8" - 2"): PN 16 (240 psi) D75 - D110 (2 1/2" - 4"): PN 10 (150 psi)	
Materials	O-rings: EPDM / FPM	Ball seats: HDPE / PTFE
Characteristics	<ul style="list-style-type: none"> • "Antiblock" system that avoids ball blockage. • 100% factory tested. • Minimal pressure drop. • Low operating torque. • Resistance to many inorganic chemicals. • Excellent flow characteristics. 	<ul style="list-style-type: none"> • Sistema "Antiblock" que evita el bloqueo de la bola. • Probadas al 100% en fábrica. • Mínima pérdida de carga. • Bajo par de maniobra de apertura y cierre. • Resistencia a múltiples sustancias químicas inorgánicas. • Excelentes características de conducción.
Certifications / regulations	Ball valve design regulation - EN ISO 16135 NSF National Sanitation Foundation (USA) NSF 61 3/8" thru 4" Socketed 3/8" thru 4" Threaded ASTM F1970	

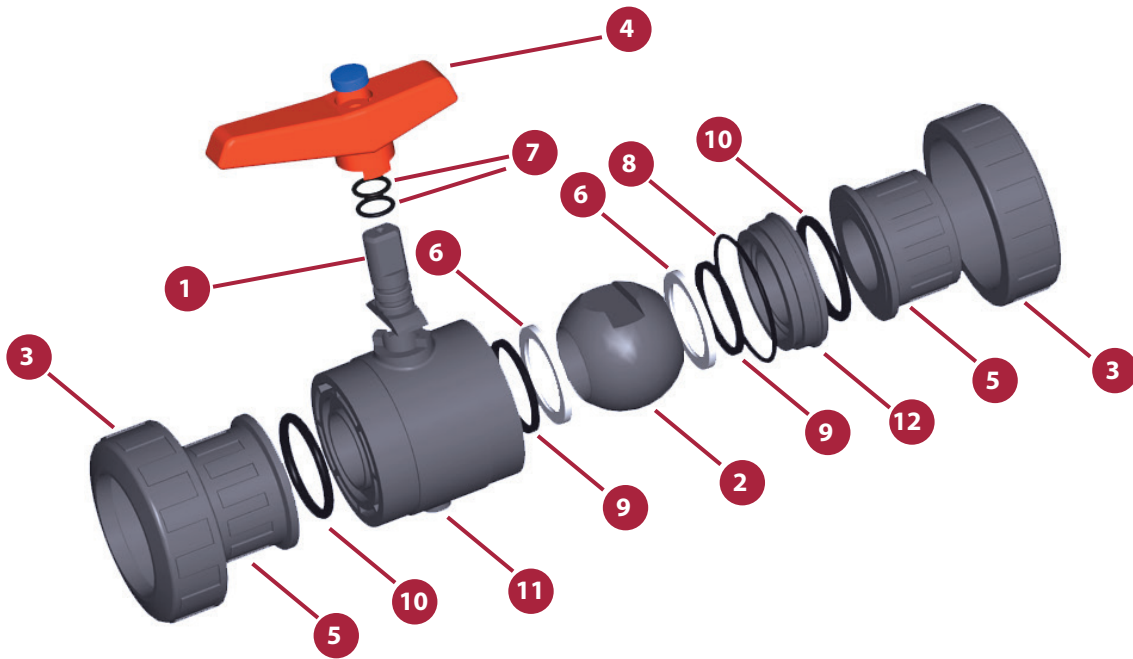
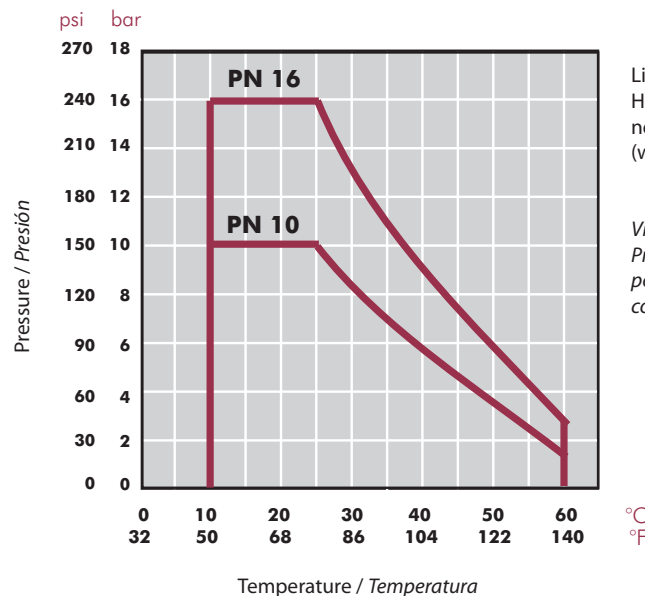


FIG.	Parts	Despiece	Material
1	Shaft	Eje	PVC-U
2	Ball	Bola	PVC-U
3	Union nut	Tuerca	PVC-U
4	Handle	Conjunto maneta	PP
5	End connector	Manguito enlace	PVC-U
6	Ball seat	Asiento bola	HDPE / PTFE
7	Shaft o-ring	Junta eje	EPDM / FPM
8	Body o-ring	Junta cuerpo	EPDM / FPM
9	Dampener seal	Junta amortiguación	EPDM / FPM
10	End connector o-ring	Junta manguito	EPDM / FPM
11	Body	Cuerpo	PVC-U
12	Seal-carrier	Portajuntas	PVC-U

PRESSURE / TEMPERATURE GRAPH
DIAGRAMA PRESIÓN / TEMPERATURA

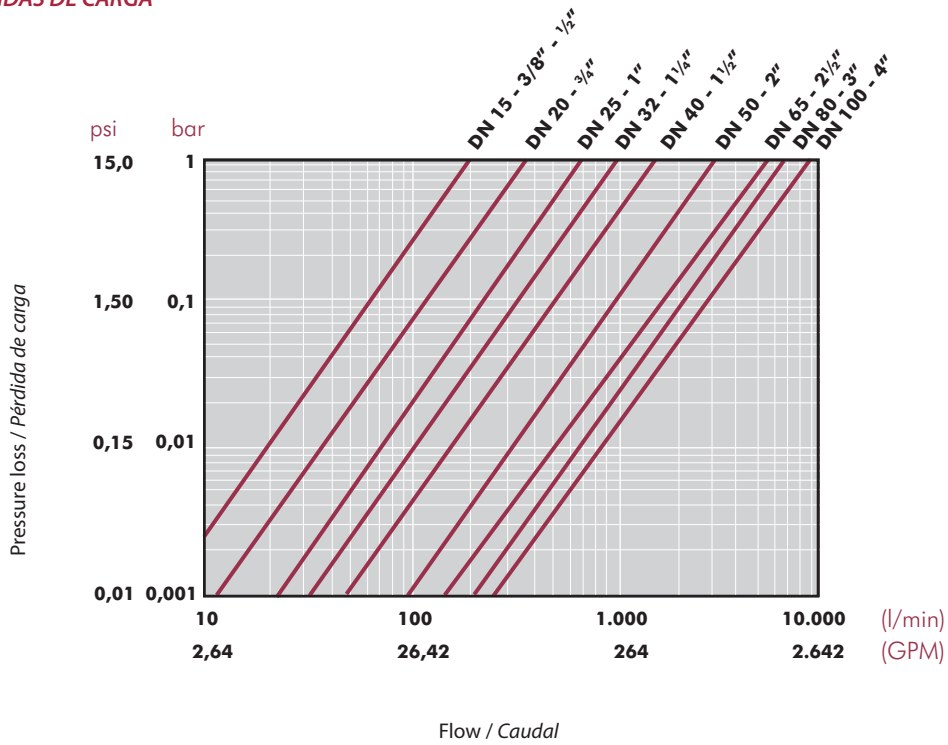


Life: 25 years
 Hydrostatic maximum pressure a component may withstand in continuous service (without overpressure)

Vida útil: 25 años
 Presión hidrostática máxima que un componente es capaz de soportar en servicio continuo (sin sobrepresión)

PRESSURE LOSS DIAGRAM

DIAGRAMA DE PÉRDIDAS DE CARGA



RELATIVE FLOW

FLUJO RELATIVO

D	16-3/8"	20-1/2"	25-3/4"	32-1"	40-1 1/4"	50-1 1/2"	63-2"	75-2 1/2"	90-3"	110-4"
DN	10	15	20	25	32	40	50	65	80	100
Kv₁₀₀	75	190	380	690	980	1.600	3.000	5.500	6.800	8900
Cv	5,3	13,3	26,6	48,3	68,6	112	210,1	385,2	476,2	623,2

$Cv = Kv_{100} / 14,28$
 Kv_{100} (l/min, $\Delta p = 1$ bar)
 Cv (GPM, $\Delta p = 1$ psi)

OPERATIONAL TORQUE CHART

TABLA DE PAR DE MANIOBRA

D	16-3/8"	20-1/2"	25-3/4"	32-1"	40-1 1/4"	50-1 1/2"	63-2"	75-2 1/2"	90-3"	110-4"
DN	10	15	20	25	32	40	50	65	80	100
Nm	1	1	2	3,5	3,5	5	15	25	45	60
in-lbf	8,9	8,9	17,7	31	31	44,3	132,8	221,3	398,3	531

Operating torque values at rated pressure (PN) and 20 °C in as new direct from the factory condition. Installation and operating conditions (pressure and temperature) will affect these values.

Los valores de par de giro se determinan a presión nominal (PN) y a 20 °C, en condiciones de salida de fábrica. Las condiciones de instalación y operación (presión y temperatura) afectarán a estos valores.

ASSEMBLY INSTRUCTIONS

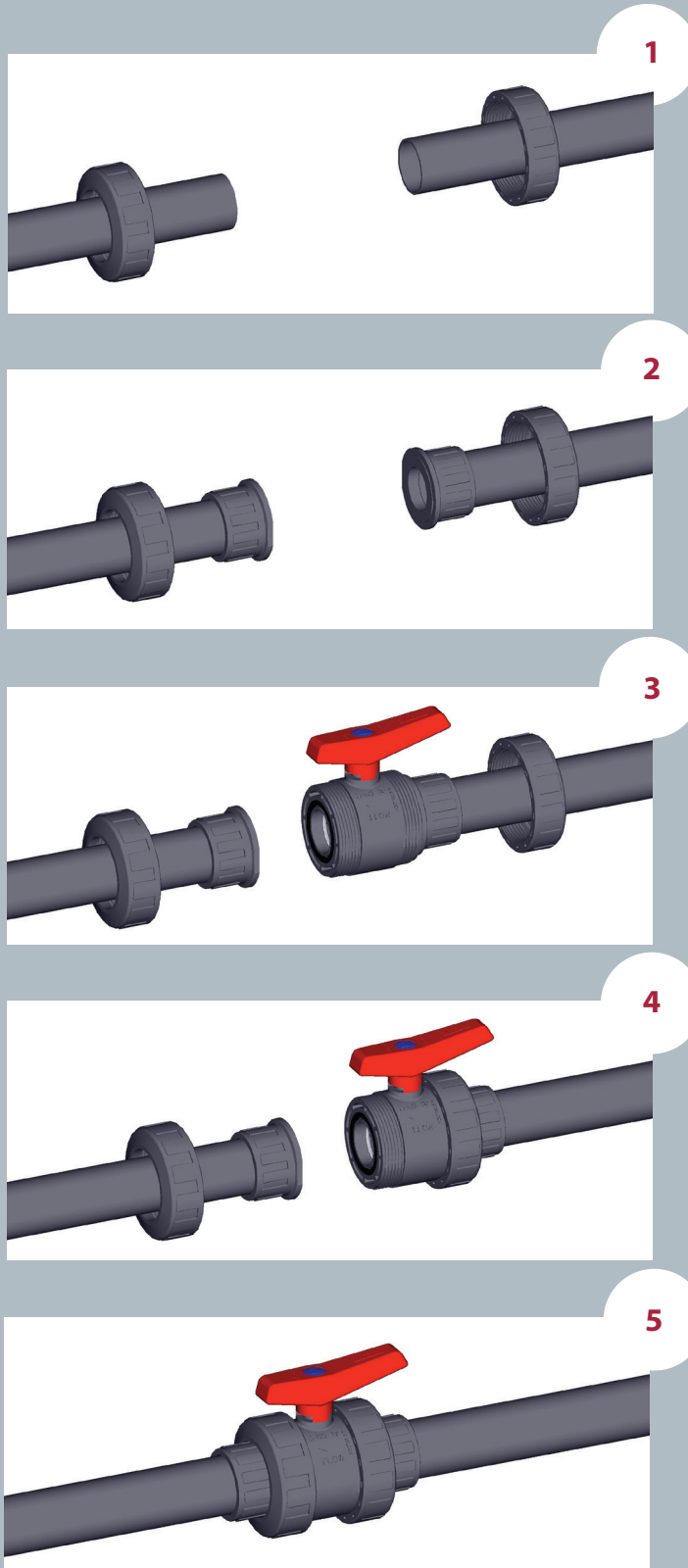
Solvent socket or threaded unions

Loosen the valve union nuts (3) and separate these and the end connectors (5) from the valve body. Pass the pipe through the nuts and then place the bushes over the end of the pipe. The socket unions should be glued onto the pipe using a PVC-U or PVC-C adhesive and pressure should not be applied to the system until a drying period of at least 1 hour per bar of working pressure has elapsed. In the case of threaded unions, PTFE tape should be applied to the male threads. The pipes can now be attached to the valve by hand tightening down the nuts.

INSTRUCCIONES DE MONTAJE

Uniones encoladas o roscadas

Afloje las tuercas (3) de la válvula y sepárelas de los manguitos (5). Introduzca las tuercas en los tubos y a continuación fije los manguitos en los extremos del tubo. Las uniones encoladas se realizarán con un adhesivo para tubos de PVC-U o PVC-C rígido y no se aplicará presión hasta transcurridas al menos 1 hora por bar. En las uniones roscadas se colocará cinta de PTFE en las roscas macho. A continuación ya podrá colocarse la válvula entre los manguitos y apretar a mano las tuercas sobre la válvula.



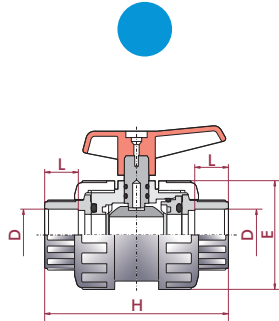
UP. 60. SF5 - STANDARD BALL VALVE

"Standard" ball valve

- PVC-U body
- Female solvent socket
- Metric series
- Ball seat in HDPE
- O-Rings in EPDM
- Blue dot

Válvula de bola "Standard"

- Cuerpo en PVC-U
- Encolar hembra
- Serie métrica
- Juntas asiento bola en HDPE
- Anillos tóricos en EPDM
- Distintivo azul



D	DN	PN	REF.	CODE
16	10	16	05 60 016	05352
20	15	16	05 60 020	02453
25	20	16	05 60 025	02454
32	25	16	05 60 032	02455
40	32	16	05 60 040	02456
50	40	16	05 60 050	02457
63	50	16	05 60 063	02458
75	65	10	05 60 075	02459
90	80	10	05 60 090	02460
110	80	10	05 60 110	02461
110	100	10	05 60 111	22797
125	100	10	05 60 125	23084

L	H	E
14	84	52
16	84	52
19	108	62
22	124	70
26	142	84
31	167	104
38	198	120
44	232	148
51	269	179
61	275	179
63	359	228
70	359	228

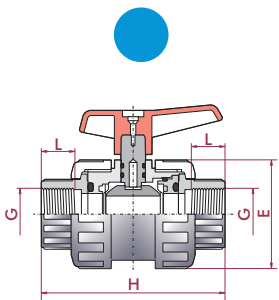
UP. 60. FT5 - STANDARD BALL VALVE

"Standard" ball valve

- PVC-U body
- BSP female thread
- Ball seat in HPDE
- O-Rings in EPDM
- Blue dot

Válvula de bola "Standard"

- Cuerpo en PVC-U
- Rosca hembra BSP
- Juntas asiento bola en HPDE
- Anillos tóricos en EPDM
- Distintivo azul



G	DN	PN	REF.	CODE
3/8"	10	16	05 60 616	05353
1/2"	15	16	05 60 620	02462
3/4"	20	16	05 60 625	02463
1"	25	16	05 60 632	02464
1 1/4"	32	16	05 60 640	02465
1 1/2"	40	16	05 60 650	02466
2"	50	16	05 60 663	02467
2 1/2"	65	10	05 60 675	02468
3"	80	10	05 60 690	02469
4"	80	10	05 60 710	05354
4"	100	10	05 60 711	22798

L	H	E
14	84	52
16	84	52
19	108	62
22	124	70
26	142	84
31	167	104
38	198	120
44	232	148
51	269	179
61	275	179
63	359	228

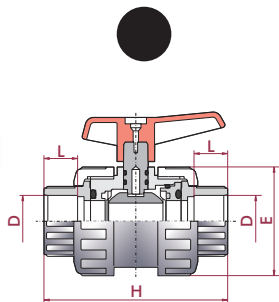
UP. 61. SF6 - STANDARD BALL VALVE

"Standard" ball valve

- PVC-U body
- Female solvent socket
- Metric series
- Ball seat in PTFE
- O-Rings in EPDM
- Black dot

Válvula de bola "Standard"

- Cuerpo en PVC-U
- Encolar hembra
- Serie métrica
- Juntas asiento bola en PTFE
- Anillos tóricos en EPDM
- Distintivo negro



D	DN	PN	REF.	CODE
16	10	16	05 61 016	05355
20	15	16	05 61 020	02470
25	20	16	05 61 025	02471
32	25	16	05 61 032	02472
40	32	16	05 61 040	02473
50	40	16	05 61 050	02474
63	50	16	05 61 063	02475
75	65	10	05 61 075	02476
90	80	10	05 61 090	02477
110	80	10	05 61 110	05356
110	100	10	05 61 111	22065

L	H	E
14	84	52
16	84	52
19	108	62
22	124	70
26	142	84
31	167	104
38	198	120
44	232	148
51	269	179
61	275	179
63	359	228

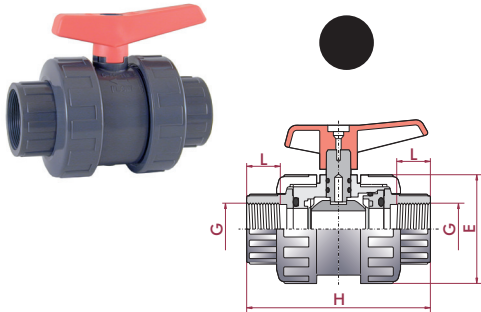
UP. 61. FT6 - STANDARD BALL VALVE

"Standard" ball valve

- PVC-U body
- BSP female thread
- Ball seat in PTFE
- O-Rings in EPDM
- Black dot

Válvula de bola "Standard"

- Cuerpo en PVC-U
- Rosca hembra BSP
- Juntas asiento bola en PTFE
- Anillos tóricos en EPDM
- Distintivo negro



G	DN	PN	REF.	CODE
3/8"	10	16	05 61 616	05357
1/2"	15	16	05 61 620	02478
3/4"	20	16	05 61 625	02479
1"	25	16	05 61 632	02480
1 1/4"	32	16	05 61 640	02481
1 1/2"	40	16	05 61 650	02482
2"	50	16	05 61 663	02483
2 1/2"	65	10	05 61 675	02484
3"	80	10	05 61 690	02485
4"	80	10	05 61 710	05358
4"	100	10	05 61 711	22066

L	H	E
14	84	52
16	84	52
19	108	62
22	124	70
26	142	84
31	167	104
38	198	120
44	232	148
51	269	179
61	275	179
63	359	228

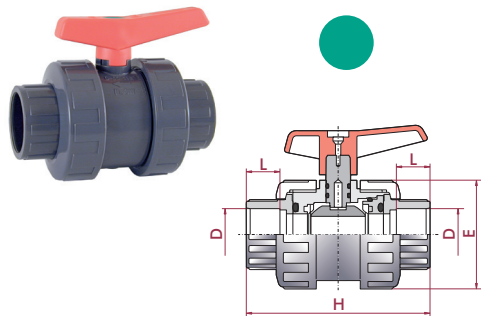
UP. 61. SF7 - STANDARD BALL VALVE

"Standard" ball valve

- PVC-U body
- Female solvent socket
- Metric series
- Ball seat in PTFE
- O-Rings in FPM
- Green dot

Válvula de bola "Standard"

- Cuerpo en PVC-U
- Encolar hembra
- Serie métrica
- Juntas asiento bola en PTFE
- Anillos tóricos en FPM
- Distintivo verde



D	DN	PN	REF.	CODE
16	10	16	05 61 016 VI	05359
20	15	16	05 61 020 VI	02486
25	20	16	05 61 025 VI	02487
32	25	16	05 61 032 VI	02488
40	32	16	05 61 040 VI	02489
50	40	16	05 61 050 VI	02490
63	50	16	05 61 063 VI	02491
75	65	10	05 61 075 VI	02492
90	80	10	05 61 090 VI	02493
110	80	10	05 61 110 VI	05360
110	100	10	05 61 111 VI	26442

L	H	E
14	84	52
16	84	52
19	108	62
22	124	70
26	142	84
31	167	104
38	198	120
44	232	148
51	269	179
61	275	179
63	359	228

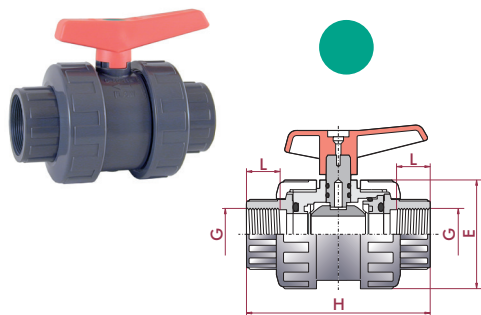
UP. 61. FT7 - STANDARD BALL VALVE

"Standard" ball valve

- PVC-U body
- BSP female thread
- Ball seat in PTFE
- O-Rings in FPM
- Green dot

Válvula de bola "Standard"

- Cuerpo en PVC-U
- Rosca hembra BSP
- Juntas asiento bola en PTFE
- Anillos tóricos en FPM
- Distintivo verde



G	DN	PN	REF.	CODE
3/8"	10	16	05 61 616 VI	05361
1/2"	15	16	05 61 620 VI	02494
3/4"	20	16	05 61 625 VI	02495
1"	25	16	05 61 632 VI	02496
1 1/4"	32	16	05 61 640 VI	02497
1 1/2"	40	16	05 61 650 VI	02498
2"	50	16	05 61 663 VI	02499
2 1/2"	65	10	05 61 675 VI	02500
3"	80	10	05 61 690 VI	02501
4"	80	10	05 61 710 VI	05362
4"	100	10	05 61 711 VI	26443

L	H	E
14	84	52
16	84	52
19	108	62
22	124	70
26	142	84
31	167	104
38	198	120
44	232	148
51	269	179
61	275	179
63	359	228

PVC-U BALL VALVES - INDUSTRIAL SERIES

VÁLVULAS DE BOLA PVC-U - SERIE INDUSTRIAL



Sizes	Solvent cement D16 - D110 (DN10-DN100) Threaded 3/8" - 4"	
Standards	Solvent socket - Metric, British Standard, ASTM, JIS Threaded - BSP, NPT Flanges: ISO Compression - metric, IPS, CTS	EN ISO 1452, EN ISO 15493, BS 4346-1, ASTM D 2467, JIS K 6743 ISO 228-1, ASTM D 2464 EN558 Serie 1 DIN 3202-1
Working pressure	@ 20°C (73°F) D16 - D63 (3/8" - 2"): PN 16 (240 psi) D75 - D110 (2 1/2" - 4"): PN 10 (150 psi)	
Materials	O-rings: EPDM / FPM	Ball seats: PTFE
Characteristics	<ul style="list-style-type: none"> • "Antiblock" system that avoids ball blockage. • 100% factory tested. • Available in PVC-U or Corzan® PVC-C. • Threaded seal carrier. • It allows the disassembling of the valve while maintaining system pressure. • Union ends for easy installation and removal. • Good mechanical strength. • Resistance to many inorganic chemicals. • Excellent flow characteristics. 	<ul style="list-style-type: none"> • Sistema "Antiblock" que evita el bloqueo de la bola. • Probadas al 100% en fábrica. • Disponibles en PVC-U y Corzan® PVC-C. • Portajuntas roscado. • Permite el desmontaje de la válvula manteniendo la instalación bajo presión. • Manguitos de unión pensados para su fácil instalación y mantenimiento. • Buena resistencia mecánica. • Resistencia a múltiples sustancias químicas inorgánicas. • Excelentes características de conducción.
Certifications / regulations	Ball valve design regulation - EN ISO 16135 NSF National Sanitation Foundation (USA) Only products bearing the NSF Mark are certified NSF 61 1/2" thru 3" ASTM F1970	

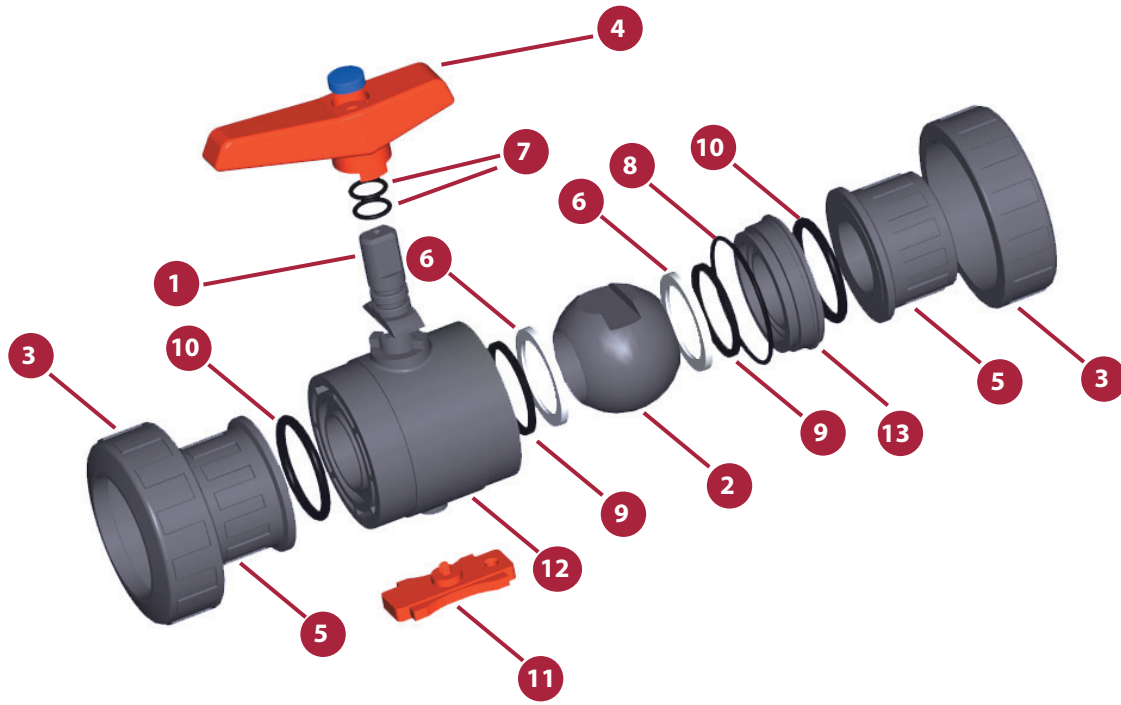
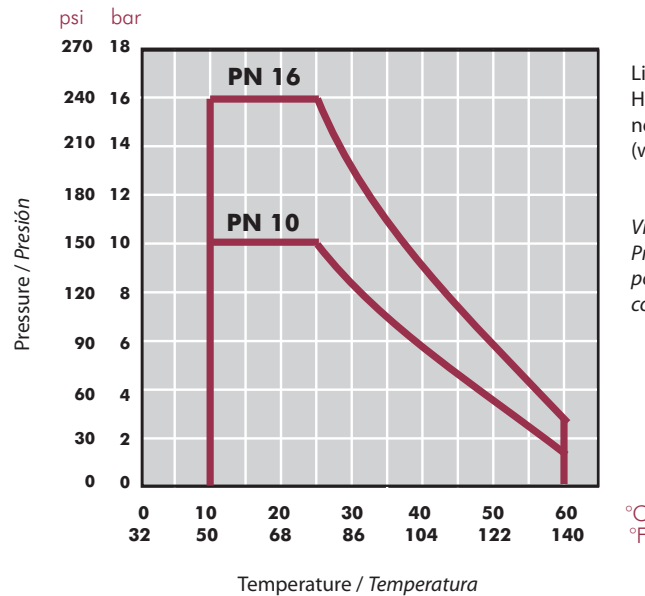


FIG.	Parts	Despiece	Material
1	Shaft	Eje	PVC-U
2	Ball	Bola	PVC-U
3	Union nut	Tuerca	PVC-U
4	Handle	Conjunto maneta	PP
5	End connector	Manguito enlace	PVC-U
6	Ball seat	Asiento bola	PTFE
7	Shaft o-ring	Junta eje	EPDM / FPM
8	Body o-ring	Junta cuerpo	EPDM / FPM
9	Dampener seal	Junta amortiguación	EPDM / FPM
10	End connector o-ring	Junta manguito	EPDM / FPM
11	Adjusting tool	Llave de regulación	ABS
12	Body	Cuerpo	PVC-U
13	Seal-carrier	Portajuntas	PVC-U

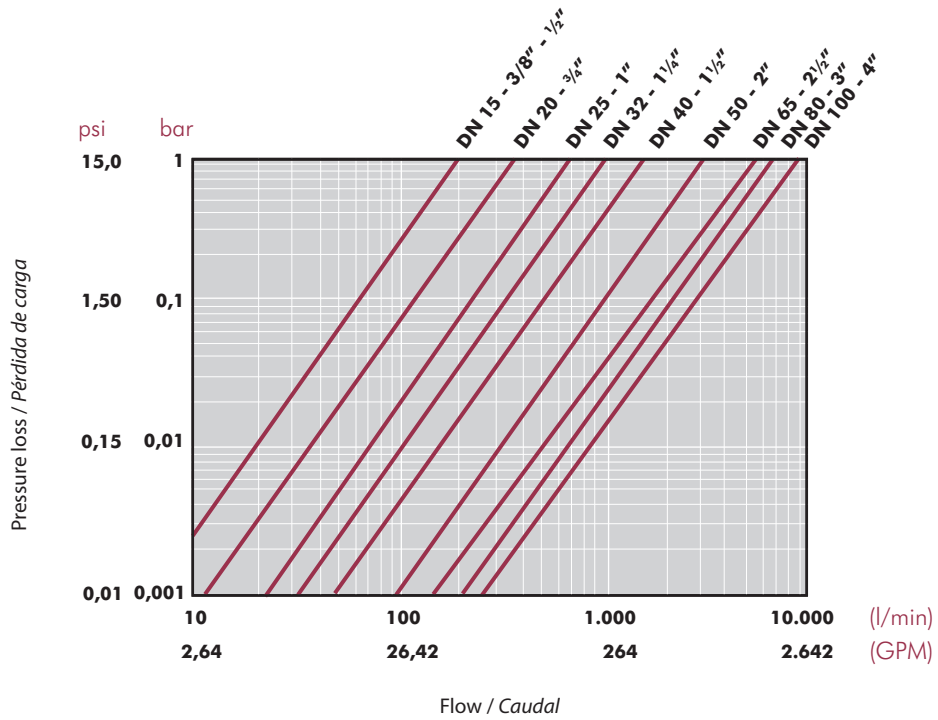
PRESSURE / TEMPERATURE GRAPH
DIAGRAMA PRESIÓN / TEMPERATURA



Life: 25 years
 Hydrostatic maximum pressure a component may withstand in continuous service (without overpressure)

Vida útil: 25 años
 Presión hidrostática máxima que un componente es capaz de soportar en servicio continuo (sin sobrepresión)

PRESSURE LOSS DIAGRAM
DIAGRAMA DE PÉRDIDAS DE CARGA



RELATIVE FLOW
FLUJO RELATIVO

D	16-3/8"	20-1/2"	25-3/4"	32-1"	40-1 1/4"	50-1 1/2"	63-2"	75-2 1/2"	90-3"	110-4"
DN	10	15	20	25	32	40	50	65	80	100
Kv₁₀₀	75	190	380	690	980	1.600	3.000	5.500	6.800	8900
Cv	5,3	13,3	26,6	48,3	68,6	112	210,1	385,2	476,2	623,2

$Cv = Kv_{100} / 14,28$
 Kv_{100} (l/min, $\Delta p = 1$ bar)
 Cv (GPM, $\Delta p = 1$ psi)

OPERATIONAL TORQUE CHART
TABLA DE PAR DE MANIOBRA

D	16-3/8"	20-1/2"	25-3/4"	32-1"	40-1 1/4"	50-1 1/2"	63-2"	75-2 1/2"	90-3"	110-4"
DN	10	15	20	25	32	40	50	65	80	100
Nm	1	1	2	3,5	3,5	5	15	25	45	60
in-lbf	8,9	8,9	17,7	31	31	44,3	132,8	221,3	398,3	531

Operating torque values at rated pressure (PN) and 20 °C in as new direct from the factory condition. Installation and operating conditions (pressure and temperature) will affect these values. The actuator that is required for an automatic operation must be calculated according to some safety factors that were determined in life tests carried out in the factory.

Los valores de par de giro se determinan a presión nominal (PN) y a 20 °C, en condiciones de salida de fábrica. Las condiciones de instalación y operación (presión y temperatura) afectarán a estos valores. El actuador requerido para automatizar el giro debe ser calculado teniendo en cuenta ciertos coeficientes de seguridad que han sido determinados en pruebas de fatiga realizadas en fábrica.

ASSEMBLY INSTRUCTIONS

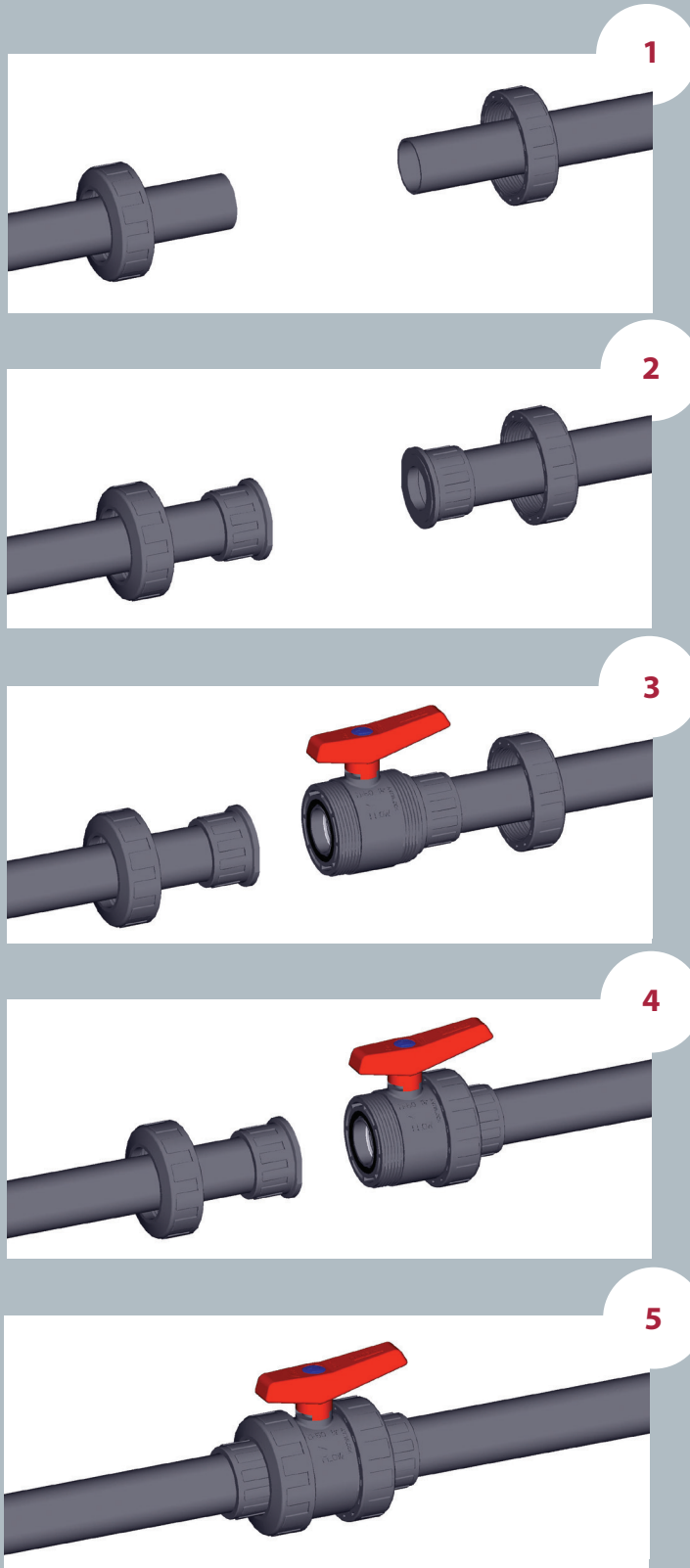
Solvent socket or threaded unions

Loosen the valve union nuts (3) and separate these and the end connectors (5) from the valve body. Pass the pipe through the nuts and then place the bushes over the end of the pipe. The socket unions should be glued onto the pipe using a PVC-U or PVC-C adhesive and pressure should not be applied to the system until a drying period of at least 1 hour per bar of working pressure has elapsed. In the case of threaded unions, PTFE tape should be applied to the male threads. The pipes can now be attached to the valve by hand tightening down the nuts.

INSTRUCCIONES DE MONTAJE

Uniones encoladas o roscadas

Afloje las tuercas (3) de la válvula y sepárelas de los manguitos (5). Introduzca las tuercas en los tubos y a continuación fije los manguitos en los extremos del tubo. Las uniones encoladas se realizarán con un adhesivo para tubos de PVC-U o PVC-C rígido y no se aplicará presión hasta transcurridas al menos 1 hora por bar. En las uniones roscadas se colocará cinta de PTFE en las roscas macho. A continuación ya podrá colocarse la válvula entre los manguitos y apretar a mano las tuercas sobre la válvula.



SEAL-CARRIER

Industrial Series - Threaded seal-carrier

Industrial Series feature a threaded seal-carrier instead of the push-fit system. The threaded seal-carrier allows for upstream maintenance without emptying the system.

A closed valve with a push-fit seal-carrier will not withstand system pressure: when the nut is disassembled, the seal-carrier gets free.

On the other side, a valve with a threaded seal-carrier will supports the system pressure thanks to the thread.

With Cepex valves, it is possible to disassemble the valve (only upstream) to carry out installation maintenance.

PORTAJUNTAS

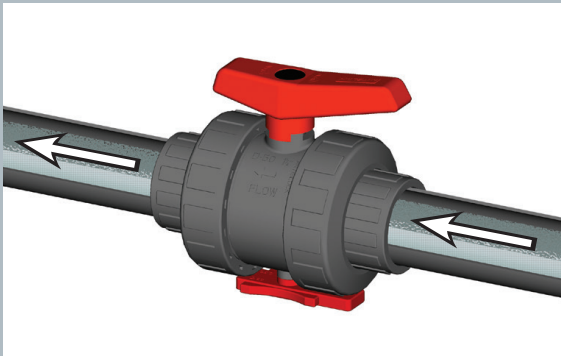
Serie Industrial - Portajuntas roscado

La Serie Industrial, al llevar el portajuntas roscado en vez de estar insertado a presión, permite el mantenimiento aguas arriba sin necesidad de vaciar el sistema.

Con un portajuntas a presión, la presión del sistema (con la válvula cerrada) hace que éste salte al intentar desmontar la válvula.

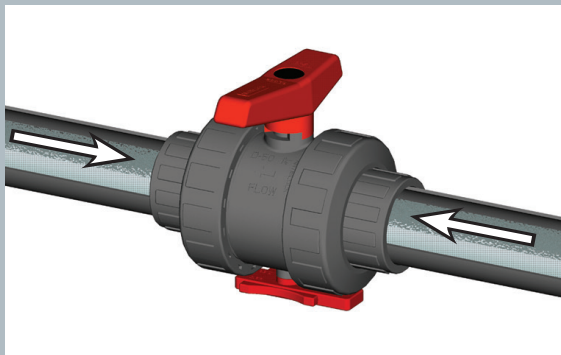
Con un portajuntas roscado, al desmontar la válvula, la rosca aguanta toda la presión del sistema sin ceder.

Ahora podemos desmontar la válvula (en su parte aguas arriba) para realizar el mantenimiento de la instalación.



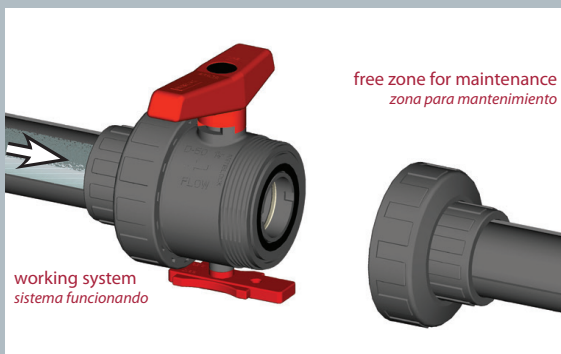
Fluid comes from the pump and goes through the open valve.

El fluido sale de la bomba y pasa por la válvula abierta.



When the valve is closed, fluid exerts pressure in both directions.

Cerrando la válvula, el fluido ejerce presión en ambos lados.



With the threaded seal-carrier, we are able to isolate the pump zone for maintenance. The thread is supporting the pressure of the system.

Con el portajuntas roscado, podemos aislar la zona de la bomba para su mantenimiento. La rosca aguanta la presión del sistema.

ADJUSTMENT AND MAINTENANCE OF THE VALVES

Provided that there is no pressure in the circuit, with the valve closed maintenance can be carried out on any component in the valve line.

The following steps can be carried out while maintaining system pressure.

The valve is factory adjusted to ensure correct operation over long periods of time. Nevertheless, it is possible to readjust the clamping force on the ball if it is required. This operation is carried out by using the adjusting tool (11) which is attached to the bottom of the valve.

To carry out this operation it is first necessary to disassemble the two nuts and remove the valve. Introduce the adjusting tool (11) into the slot which forms part of the seal-carrier (13) and turn the adjusting tool either (a) clockwise to loosen the seal or (b) anticlockwise to tighten the seal.

When the time comes to replace any part of the valve, this can be easily done. First, use the adjusting tool to turn the seal-carrier (13) clockwise until it comes free. At this stage, any of the body O-rings (6,8,9) or the ball (2) can be replaced. If it is necessary to change the shaft (1) or its O-rings (7), then the ball should be removed. It is also necessary to remove the handle (4) by loosening the screw which is found below the press-in logo in its centre. Pressing down will then free the shaft. Please beware that excessively tightening the seal holder will increase the valve actuating torque which in turn may cause problems with motorized actuators.

When reassembling the valve, lubricate the seals with vaseline or silicone. Never use greases or mineral oils.

REGULACIÓN Y MANTENIMIENTO DE LA VÁLVULA

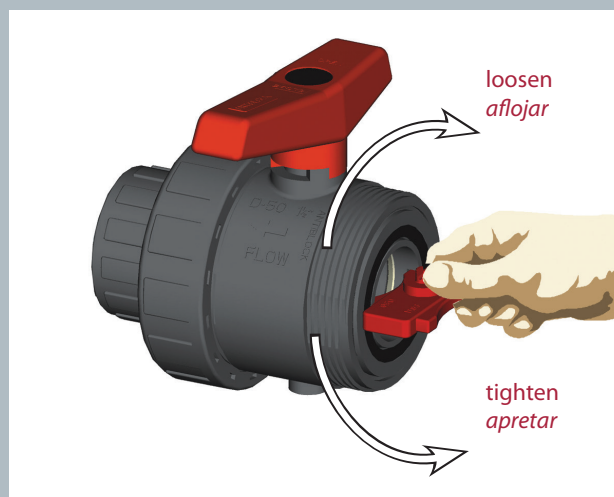
Es posible realizar el mantenimiento de cualquiera de los extremos de la línea conectados a la válvula manteniendo la instalación bajo presión. Simplemente cerrando la válvula, ésta actuará como tapón en cualquiera de los dos sentidos. Las operaciones a continuación descritas se realizarán siempre sin fluido en la línea.

La válvula está ajustada en fábrica para un correcto y prolongado funcionamiento. No obstante, es posible reajustar la fuerza de apriete de la junta de cierre sobre la bola cuando las condiciones de uso lo requieran. Esta operación se llevará a cabo con ayuda de la llave de regulación (11) que se adjunta en la parte inferior de la válvula.

Para ello desmonte las tuercas (3) de la válvula y extráigala de su alojamiento. Introduzca la llave (11) en la ranura que a tal efecto tiene el portajuntas (13) y gírela en sentido antihorario para apretar la junta y horario para aflojarla.

En caso se desgaste de algún componente de la válvula, podrá ser sustituido desmontando el conjunto del cuerpo de la válvula. Para ello proceda igual que con la regulación pero gire en sentido horario hasta que el portajuntas quede libre. Llegado este punto podrá sustituir cualquiera de las juntas del cuerpo (6,8,9) o la bola (2). Si fuera necesario sustituir el eje (1) o sus juntas (7) debería extraer la bola y además quitar la maneta (4) aflojando el tornillo que se encuentra bajo el logotipo y de esta forma, presionando hacia abajo, liberará el eje. Nótese que un apriete excesivo sobre el portajuntas puede influir en el par de accionamiento lo que puede perjudicar a los actuadores de válvulas motorizadas.

El montaje se realiza siguiendo el proceso inverso pero teniendo siempre la precaución de lubricar las juntas con vaselina neutra o silicona. No utilizar grasas o aceites minerales.



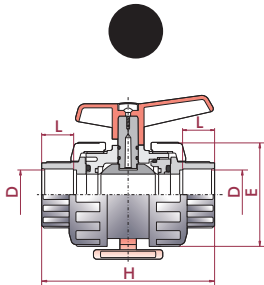
UP. 73. SF6 - INDUSTRIAL BALL VALVES

"Industrial" ball valve

- PVC-U body
- Female solvent socket
- Metric series
- Seating joints in PTFE
- O-Rings in EPDM
- Black dot

Válvula de bola "Industrial"

- Cuerpo en PVC-U
- Encolar hembra
- Serie métrica
- Juntas asiento bola en PTFE
- Anillos tóricos en EPDM
- Distintivo negro



D	DN	PN	REF.	CODE
16	10	16	05 73 016	18434
20	15	16	05 73 020	18435
25	20	16	05 73 025	18436
32	25	16	05 73 032	18437
40	32	16	05 73 040	18438
50	40	16	05 73 050	18439
63	50	16	05 73 063	18440
75	65	10	05 73 075	18441
90	80	10	05 73 090	18442
110	100	10	05 73 111	22799

L	H	E
14	84	52
16	84	52
19	108	62
22	124	70
26	142	84
31	167	104
38	198	120
44	232	148
51	269	179
63	359	228

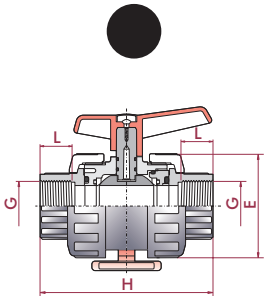
UP. 73. FT6 - INDUSTRIAL BALL VALVES

"Industrial" ball valve

- PVC-U body
- BSP female thread
- Seating joints in PTFE
- O-Rings in EPDM
- Black dot

Válvula de bola "Industrial"

- Cuerpo en PVC-U
- Rosca hembra BSP
- Juntas asiento bola en PTFE
- Anillos tóricos en EPDM
- Distintivo negro



G	DN	PN	REF.	CODE
3/8"	10	16	05 73 616	18453
1/2"	15	16	05 73 620	18454
3/4"	20	16	05 73 625	18455
1"	25	16	05 73 632	18456
1 1/4"	32	16	05 73 640	18457
1 1/2"	40	16	05 73 650	18458
2"	50	16	05 73 663	18459
2 1/2"	65	10	05 73 675	18460
3"	80	10	05 73 690	18461
4"	100	10	05 73 711	22800

L	H	E
14	84	52
16	84	52
19	108	62
22	124	70
26	142	84
31	167	104
38	198	120
44	232	148
51	269	179
63	359	228

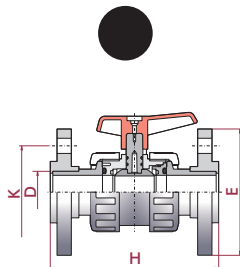
UP. 69. FLG6 - INDUSTRIAL BALL VALVES

"Industrial" ball valve

- PVC-U body
- With flanges
- Seating joints in PTFE
- O Rings in EPDM (FPM available on order)
- Black dot

Válvula de bola "Industrial"

- Cuerpo en PVC-U
- Con bridas
- Juntas asiento bola en PTFE
- Anillos tóricos en EPDM (FPM bajo pedido)
- Distintivo negro



D	DN	PN	REF.	CODE
20	15	16	05 69 220	07733
25	20	16	05 69 225	07734
32	25	16	05 69 232	07735
40	32	16	05 69 240	07736
50	40	16	05 69 250	07737
63	50	16	05 69 263	07738
75	65	10	05 69 275	07739
90	80	10	05 69 290	07740
110	80	10	05 69 310	07741
110	100	10	05 69 311	34592

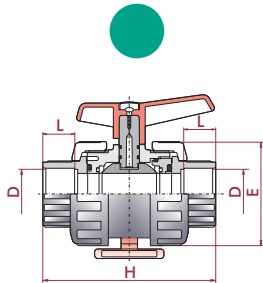
E	H	K
95	130	65
105	150	75
115	160	85
140	180	100
150	200	110
165	230	125
185	290	145
200	310	160
220	350	180
220	418	180

UP. 73. SF7 - INDUSTRIAL BALL VALVES
"Industrial" ball valve

- PVC-U body
- Female solvent socket
- Metric series
- Seating joints in PTFE
- O-Rings in FPM
- Green dot

Válvula de bola "Industrial"

- Cuerpo en PVC-U
- Encolar hembra
- Serie métrica
- Juntas asiento bola en PTFE
- Anillos tóricos en FPM
- Distintivo verde



D	DN	PN	REF.	CODE
16	10	16	05 73 016 VI	18444
20	15	16	05 73 020 VI	18445
25	20	16	05 73 025 VI	18670
32	25	16	05 73 032 VI	18446
40	32	16	05 73 040 VI	18447
50	40	16	05 73 050 VI	18448
63	50	16	05 73 063 VI	18449
75	65	10	05 73 075 VI	18450
90	80	10	05 73 090 VI	18451
110	100	10	05 73 111 VI	22801

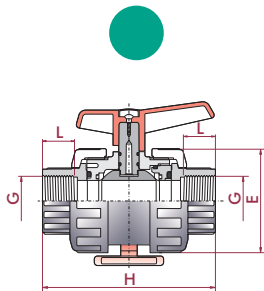
L	H	E
14	84	52
16	84	52
19	108	62
22	124	70
26	142	84
31	167	104
38	198	120
44	232	148
51	269	179
61	359	228

UP. 73. FT7 - INDUSTRIAL BALL VALVES
"Industrial" ball valve

- PVC-U body
- BSP female thread
- Seating joints in PTFE
- O-Rings in FPM
- Green dot

Válvula de bola "Industrial"

- Cuerpo en PVC-U
- Rosca hembra BSP
- Juntas asiento bola en PTFE
- Anillos tóricos en FPM
- Distintivo verde



G	DN	PN	REF.	CODE
3/8"	10	16	05 73 616 VI	18463
1/2"	15	16	05 73 620 VI	18464
3/4"	20	16	05 73 625 VI	18465
1"	25	16	05 73 632 VI	18466
1 1/4"	32	16	05 73 640 VI	18467
1 1/2"	40	16	05 73 650 VI	18468
2"	50	16	05 73 663 VI	18469
2 1/2"	65	10	05 73 675 VI	18470
3"	80	10	05 73 690 VI	18471
4"	100	10	05 73 711 VI	22802

L	H	E
14	84	52
16	84	52
19	108	62
22	124	70
26	142	84
31	167	104
38	198	120
44	232	148
51	269	179
61	359	228

ConnectIT System

Connection possibilities - Cepex ball valves

Posibilidades de conexión - Válvulas de bola Cepex

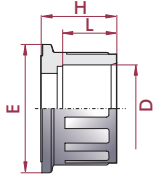


CONNECTIONS FOR PVC-U STANDARD AND INDUSTRIAL BALL VALVES CONEXIONES PARA VÁLVULAS DE BOLA STANDARD E INDUSTRIAL EN PVC-U

UP. 22. SF. VA - BALL VALVE CONNECTIONS STANDARD & INDUSTRIAL

Bush connection
• Female solvent socket
• Metric series

Manguito conexión
• Encolar hembra
• Serie métrica



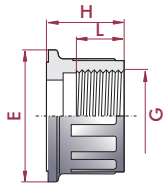
D	DN	PN	REF.	CODE
16	10	16	05352 R 0105	05352R0105
20	15	16	02453 R 0105	02453R0105
25	20	16	02454 R 0105	02454R0105
32	25	16	02455 R 0105	02455R0105
40	32	16	02456 R 0105	02456R0105
50	40	16	02457 R 0105	02457R0105
63	50	16	02458 R 0105	02458R0105
75	65	10	02459 R 0105	02459R0105
90	80	10	02460 R 0105	02460R0105
110	80	10	02461 R 0105	02461R0105
110	100	10	22797 R 0105	22797R0105

L	H	E
14	21	37
16	21	37
19	27	43
22	30	51
26	36	62
31	43	73
38	51	93
44	57	118
51	64	144
61	70	147
63	82	188

UP. 22. FT. VA - BALL VALVE CONNECTIONS STANDARD & INDUSTRIAL

Bush connection
• BSP female thread

Manguito conexión
• Rosca hembra BSP



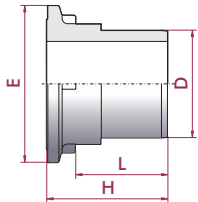
G	DN	PN	REF.	CODE
3/8"	10	10	05353 R 0105	05353R0105
1/2"	15	10	02462 R 0105	02462R0105
3/4"	20	10	02463 R 0105	02463R0105
1"	25	10	02464 R 0105	02464R0105
1 1/4"	32	10	02465 R 0105	02465R0105
1 1/2"	40	10	02466 R 0105	02466R0105
2"	50	10	02467 R 0105	02467R0105
2 1/2"	65	10	02468 R 0105	02468R0105
3"	80	10	02469 R 0105	02469R0105
4"	80	10	05354 R 0105	05354R0105
4"	100	10	22798 R 0105	22798R0105

L	H	E
14	21	37
16	21	37
19	27	43
22	30	51
26	36	62
31	43	73
35	51	93
42	57	118
42	64	144
42	70	147
61	82	188

UP. 22. SM. VA - BALL VALVE CONNECTIONS STANDARD & INDUSTRIAL

Bush connection
• Male solvent socket
• Metric series

Manguito conexión
• Encolar macho
• Serie métrica



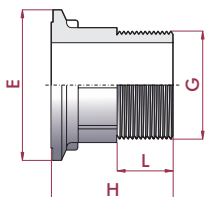
D	DN	PN	REF.	CODE
16	10	16	05 22 216 VA	33731
20	15	16	05 22 220 VA	20178
25	20	16	05 22 225 VA	20179
32	25	16	05 22 232 VA	20180
40	32	16	05 22 240 VA	20190
50	40	16	05 22 250 VA	20191
63	50	16	05 22 263 VA	20192
75	65	10	05 22 275 VA	20193
90	80	10	05 22 290 VA	20194
110	80	10	05 22 310 VA	20195
110	100	10	05 22 311 VA	33732

L	H	E
-	-	-
16	39	37
19	45	43
22	45	51
26	51	62
31	56	73
38	65	93
44	84	118
51	79	144
61	106	188
-	-	-

UP. 22. MT. VA - BALL VALVE CONNECTIONS STANDARD & INDUSTRIAL

Bush connection
• BSP male thread

Manguito conexión
• Rosca macho BSP



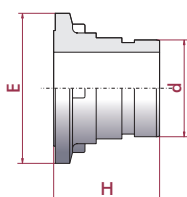
G	DN	PN	REF.	CODE
3/8"	10	10	05 22 416 VA	33691
1/2"	15	10	05 22 420 VA	20196
3/4"	20	10	05 22 425 VA	20197
1"	25	10	05 22 432 VA	20198
1 1/4"	32	10	05 22 440 VA	20199
1 1/2"	40	10	05 22 450 VA	20200
2"	50	10	05 22 463 VA	20201
2 1/2"	65	10	05 22 475 VA	20202
3"	80	10	05 22 490 VA	20203
4"	80	10	05 22 510 VA	20204
4"	100	10	05 22 511 VA	33733

L	H	E
-	-	-
12	35	37
16	42	43
20	49	51
22	53	62
22	57	73
28	73	93
30	79	118
33	91	144
40	99	147
40	100	188

UP. 22. VT. VA - BALL VALVE CONNECTIONS STANDARD & INDUSTRIAL

Victaulic® bush connection

Manguito conexión Victaulic®



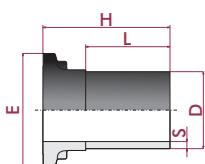
D	DN	PN	REF.	CODE
2"	50	10	05 22 063 VIC	27978
3"	80	10	05 22 090 VIC	27979

H	E
66	93
79	144

PE. 21. BW11. VA - BALL VALVE CONNECTIONS STANDARD & INDUSTRIAL

Bush connection
• PE connection
• SDR 11
• Metric series

Manguito conexión
• Conexión a PE
• SDR 11
• Serie métrica



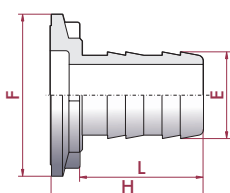
D	DN	PN	REF.	CODE
20	15	16	45 21 020	29399
25	20	16	45 21 025	29400
32	25	16	45 21 032	29401
40	32	16	45 21 040	29402
50	40	16	45 21 050	29403
63	50	16	45 21 063	29404
75	65	16	45 21 075	29405
90	80	16	45 21 090	29406
110	80	16	45 21 110	29407

S	L	H	E
2,3	45	62	37
2,3	47	67	43
3	50	70	51
3,7	51	77	63
4,6	61	86	77
5,8	69	104	93
6,8	76	106	118
8,2	85	115	144
10	95	135	188

UP. 24. SPI. VA - BALL VALVE CONNECTIONS STANDARD & INDUSTRIAL

Spigot connection
• Metric series

Conexión espiga
• Serie métrica



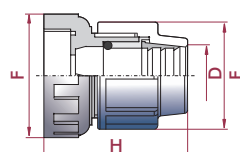
D x E	DN	PN	REF.	CODE
20 x 16	15	10	05 24 416	02209
20 x 18	15	10	05 24 418	02210
20 x 20	15	10	05 24 420	02211
25 x 25	20	10	05 24 425	02212
32 x 30	25	10	05 24 432	02213
40 x 40	32	10	05 24 440	02214
50 x 50	40	10	05 24 450	02215
50 x 38	40	10	05 24 451	05347
63 x 60	50	10	05 24 463	02216

L	H	E	F
34	44	16	38
37	47	18	38
37	47	20	38
43	53	25	43
47	58	30	53
52	65	40	62
55	68	50	71
53	65	38	71
59	74	61	88

UP. 23. PE. VA - BALL VALVE CONNECTIONS STANDARD

Bush connection
• PE compression connection
• Exclusive for the Standard Series
• Metric series

Manguito conexión
• Conexión compresión a PE
• Exclusivo para la Serie Standard
• Serie métrica



D	DN	PN	REF.	CODE
16	10	10	05 23 416	23128
20	15	10	05 23 420	23129
25	20	10	05 23 425	23130
32	25	10	05 23 432	23131
40	32	10	05 23 440	23132
50	40	10	05 23 450	23133
63	50	10	05 23 463	23134
75	65	10	05 23 475	23135
90	80	10	05 23 490	34646
110	80	10	05 23 510	34647

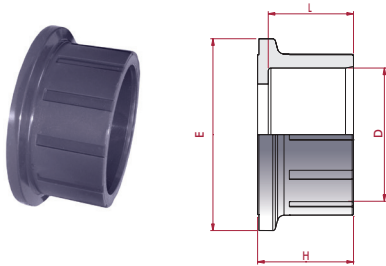
H	F	E
59	52	47
59	52	47
75	62	56
87	70	65
105	85	81
112	92	92
125	111	114
148	160	128
187	179	152
204	179	182

CONNECTIONS FOR PVC-U [STD] BALL VALVES CONEXIONES PARA VÁLVULAS DE BOLA [STD] EN PVC-U

UP. 22ST. SF. VA - BALL VALVE CONNECTIONS [STD]

Bush connection
• Female solvent socket
• Metric series

Manguito conexión
• Encolar hembra
• Serie métrica



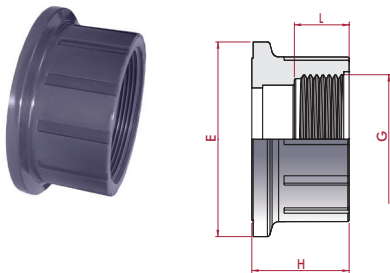
D	DN	PN	REF.	CODE
16	10	16	36500 R 0105	36500R0105
20	15	16	36501 R 0105	36501R0105
25	20	16	36502 R 0105	36502R0105
32	25	16	36503 R 0105	36503R0105
40	32	16	36504 R 0105	36504R0105
50	40	16	36505 R 0105	36505R0105
63	50	16	36506 R 0105	36506R0105
75	65	10	36507 R 0105	36507R0105
90	80	10	36508 R 0105	36508R0105
110	100	10	36509 R 0105	36509R0105

L	H	E
14	20	34
16	20	34
19	23	43
22	29	50
26	32	60
31	36	72
38	43	91
44	50	115
51	59	141
61	81	188

UP. 22ST. FT. VA - BALL VALVE CONNECTIONS [STD]

Bush connection
• BSP female thread

Manguito conexión
• Rosca hembra BSP



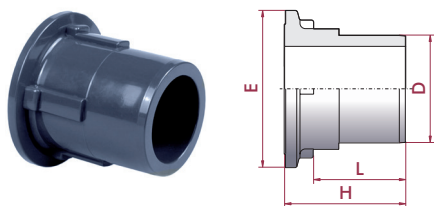
G	DN	PN	REF.	CODE
3/8"	10	10	36510 R 0105	36510R0105
1/2"	15	10	740 R 0202035	740R0202035
3/4"	20	10	36512 R 0105	36512R0105
1"	25	10	36513 R 0105	36513R0105
1 1/4"	32	10	36514 R 0105	36514R0105
1 1/2"	40	10	36515 R 0105	36515R0105
2"	50	10	36516 R 0105	36516R0105
2 1/2"	65	10	36517 R 0105	36517R0105
3"	80	10	36518 R 0105	36518R0105
4"	100	10	36519 R 0105	36519R0105

L	H	E
-	-	34
13	20	34
15	23	43
18	29	50
20	32	60
20	36	72
24	43	91
43	50	115
49	59	141
42	81	188

UP. 22ST. SM. VA - BALL VALVE CONNECTIONS [STD]

Bush connection
• Male solvent socket
• Metric series

Manguito conexión
• Encolar macho
• Serie métrica



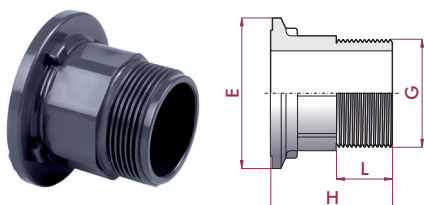
D	DN	PN	REF.	CODE
20	15	16	60 22 220 VA	65023
25	20	16	60 22 225 VA	65024
32	25	16	60 22 232 VA	65025
40	32	16	60 22 240 VA	65026
50	40	16	60 22 250 VA	65027
63	50	16	60 22 263 VA	65028
75	65	10	60 22 275 VA	65029
90	80	10	60 22 290 VA	65030

L	H	E
16	39	37
19	45	43
22	45	51
26	51	62
31	56	73
38	65	93
44	84	118
51	79	144

UP. 22ST. MT. VA - BALL VALVE CONNECTIONS [STD]

Bush connection
• BSP male thread

Manguito conexión
• Rosca macho BSP



G	DN	PN	REF.	CODE
3/8"	10	10	60 22 416 VA	64317
1/2"	15	10	60 22 420 VA	64404
3/4"	20	10	60 22 425 VA	64405
1"	25	10	60 22 432 VA	64406
1 1/4"	32	10	60 22 440 VA	64407
1 1/2"	40	10	60 22 450 VA	64408
2"	50	10	60 22 463 VA	64409
2 1/2"	65	10	60 22 475 VA	64410
3"	80	10	60 22 490 VA	64411
4"	100	10	60 22 411 VA	33733

L	H	E
-	-	-
12	39	34
16	45	43
20	45	50
22	51	60
22	56	72
28	65	91
30	91	115
33	99	141
40	100	188

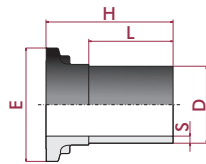
PE. 21ST. BW11. VA - BALL VALVE CONNECTIONS [STD]

Bush connection

- PE connection
- SDR 11
- Metric series

Manguito conexión

- Conexión a PE
- SDR 11
- Serie métrica



D	DN	PN	REF.	CODE
20	15	16	60 45 020 VA	55175
25	20	16	60 45 025 VA	55176
32	25	16	60 45 032 VA	55177
40	32	16	60 45 040 VA	55178
50	40	16	60 45 050 VA	55179
63	50	16	60 45 063 VA	55180
75	65	16	60 45 075 VA	55181
90	80	16	45 21 090	29406
110	80	16	45 21 110	29407

S	L	H	E
2,3	45	62	37
2,3	47	67	43
3	50	70	51
3,7	51	77	63
4,6	61	86	77
5,8	69	104	93
6,8	76	106	118
8,2	85	115	144
10	95	135	188

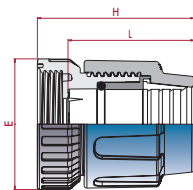
UP. 23ST. PE. VA - BALL VALVE CONNECTIONS [STD]

Bush connection

- PE compression connection
- Metric series

Manguito conexión

- Conexión compresión a PE
- Serie métrica



D	DN	PN	REF.	CODE
16	10	10	60 23 416 VA	57292
20	15	10	60 23 420 VA	55184
25	20	10	60 23 425 VA	55946
32	25	10	60 23 432 VA	55947
40	32	10	60 23 440 VA	55948
50	40	10	60 23 450 VA	55949
63	50	10	60 23 463 VA	55950

H	F	E
-	-	-
45	50	60
55	61	72
64	70	83
82	81	103
93	96	115
103	118	129

PVC-U BALL VALVES - e-QUA SERIES

VÁLVULAS DE BOLA PVC-U - SERIE e-QUA



Sizes	Solvent cement D50 - D63 (DN45-DN50) Threaded 1½" - 2"	
Standards	Solvent socket - Metric, British, ASTM Threaded - BSP, NPT	EN ISO 1452, EN ISO 15493, BS 4346-1, ASTM D 2467 ISO 228-1, ASTM D 2464
Working pressure	@ 20°C (73°F) D50 - D63 (1½" - 2"): PN 12 (180 psi)	
Materials	O-rings: EPDM	Ball seats: HDPE
Characteristics	<ul style="list-style-type: none"> • "Antiblock" system that avoids ball blockage. • 100% factory tested. • Minimal pressure drop. • Low operating torque. • Resistance to many inorganic chemicals. • Ideally suited for swimming pool applications. • Excellent flow characteristics. 	<ul style="list-style-type: none"> • Sistema "Antiblock" que evita el bloqueo de la bola. • Probadas al 100% en fábrica. • Mínima pérdida de carga. • Bajo par de apertura y cierre. • Resistencia a múltiples sustancias químicas inorgánicas. • Especialmente indicada para aplicaciones de piscina. • Excelentes características de conducción.
Certifications / regulations	Ball valve design regulation - EN ISO 16135	

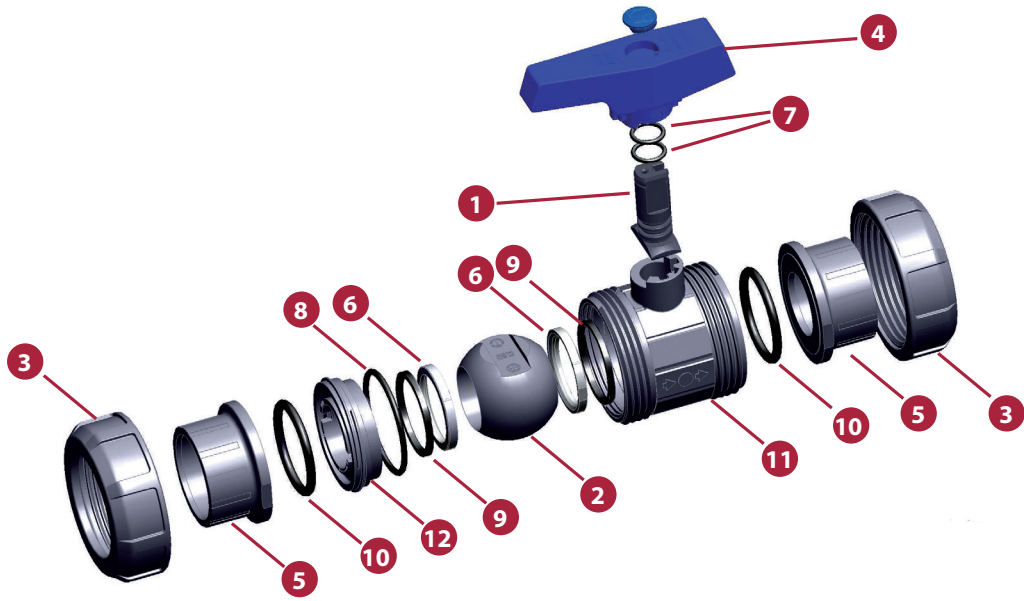
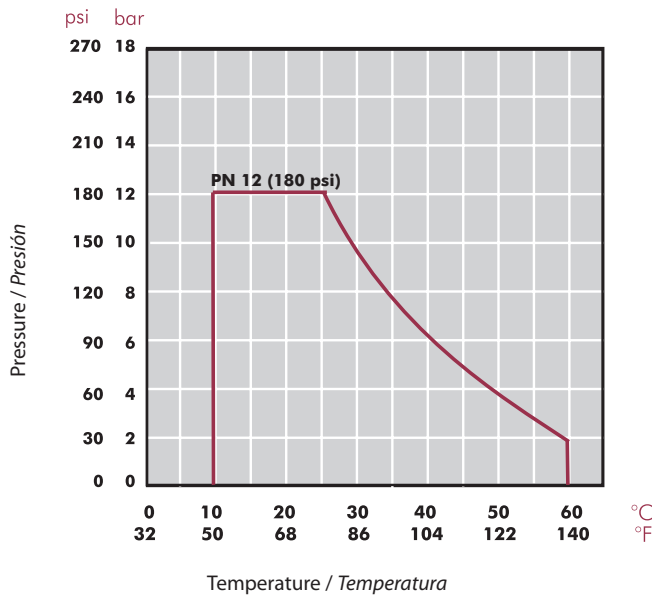


FIG.	Parts	Despiece	Material
1	Shaft	Eje	PVC-U
2	Ball	Bola	PVC-U
3	Union nut	Tuerca	PVC-U
4	Handle	Conjunto maneta	PP
5	End connector	Manguito enlace	PVC-U
6	Ball seat	Asiento bola	HDPE
7	Shaft o-ring	Junta eje	EPDM
8	Body o-ring	Junta cuerpo	EPDM
9	Dampener seal	Junta amortiguación	EPDM
10	End connector o-ring	Junta manguito	EPDM
11	Body	Cuerpo	PVC-U
12	Seal-carrier	Portajuntas	PVC-U

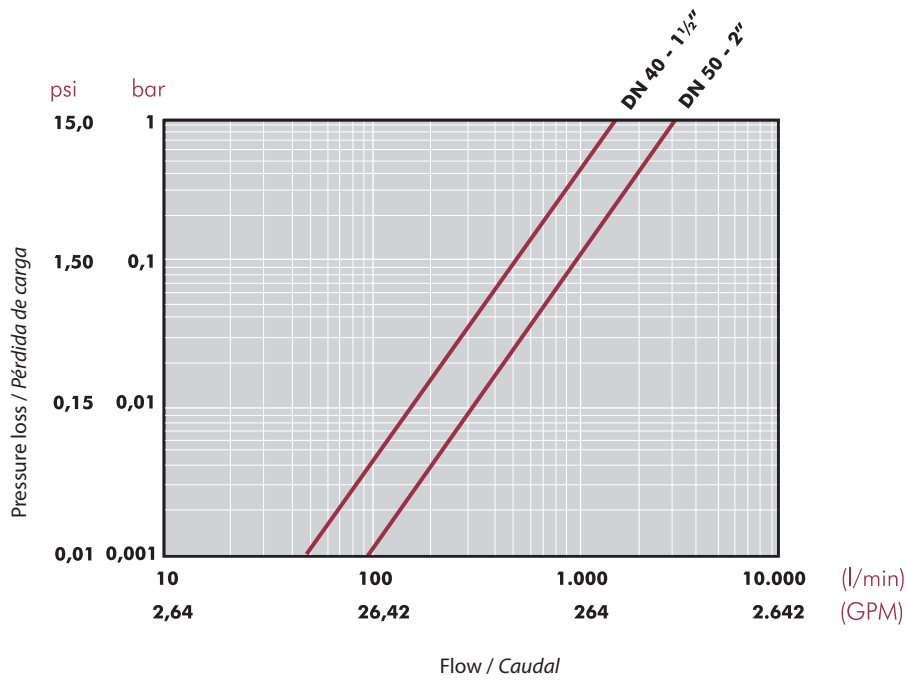
PRESSURE / TEMPERATURE GRAPH
DIAGRAMA PRESIÓN / TEMPERATURA



Life: 25 years
 Hydrostatic maximum pressure a component may withstand in continuous service (without overpressure)

Vida útil: 25 años
 Presión hidrostática máxima que un componente es capaz de soportar en servicio continuo (sin sobrepresión)

PRESSURE LOSS DIAGRAM
DIAGRAMA DE PÉRDIDAS DE CARGA



RELATIVE FLOW
FLUJO RELATIVO

D	50-1½"	63-2"
DN	40	50
Kv ₁₀₀	1.600	3.000
Cv	112	210,1

$Cv = Kv_{100} / 14,28$
 Kv_{100} (l/min, $\Delta p = 1$ bar)
 Cv (GPM, $\Delta p = 1$ psi)

OPERATIONAL TORQUE CHART
TABLA DE PAR DE MANIOBRA

D	50-1½"	63-2"
DN	40	50
Nm	5	15
in·lbf	44,3	132,8

Operating torque values at rated pressure (PN) and 20 °C in as new direct from the factory condition. Installation and operating conditions (pressure and temperature) will affect these values.

Los valores de par de giro se determinan a presión nominal (PN) y a 20 °C, en condiciones de salida de fábrica. Las condiciones de instalación y operación (presión y temperatura) afectarán a estos valores.

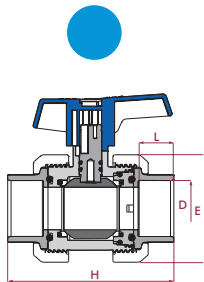
UP. 62EQ. SF5 - e-QUA BALL VALVE

e-QUA ball valve

- PVC-U body
- Female solvent socket
- Metric series
- Seating joints in HDPE
- O-Rings in EPDM

Válvula de bola e-QUA

- Cuerpo en PVC-U
- Encolar hembra
- Serie métrica
- Juntas asiento bola en HDPE
- Anillos tóricos en EPDM



D	DN	PN	REF.	CODE
50	40	12	60 62 050	41544
63	50	12	60 62 063	41545

L	H	E
31	149	96
38	174	118

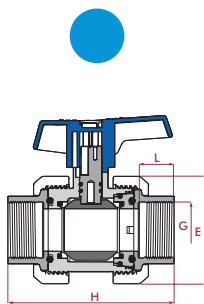
UP. 62EQ. FT5 - e-QUA BALL VALVE

e-QUA ball valve

- PVC-U body
- BSP female thread
- Seating joints in HDPE
- O-Rings in EPDM

Válvula de bola e-QUA

- Cuerpo en PVC-U
- Rosca hembra BSP
- Juntas asiento bola en HDPE
- Anillos tóricos en EPDM

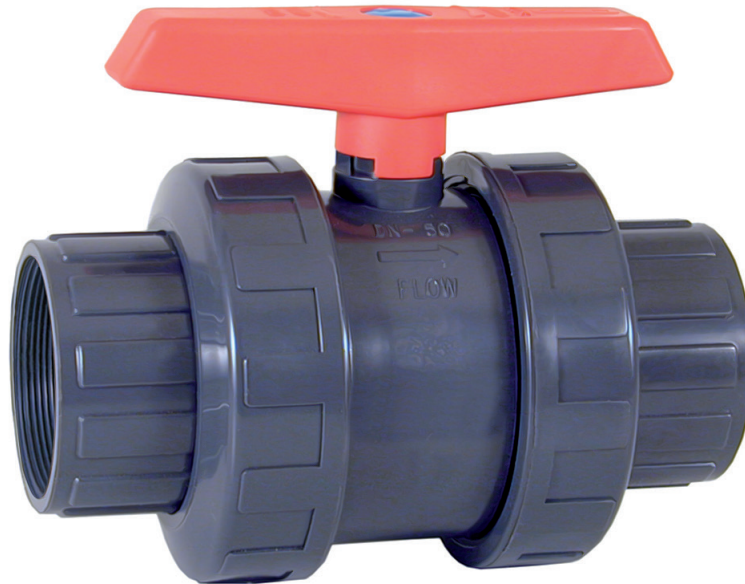


G	DN	PN	REF.	CODE
1½"	40	12	60 62 650	41546
2"	50	12	60 62 663	41547

L	H	E
31	149	96
38	174	118

PVC-U BALL VALVES - PN 10 SERIES

VÁLVULAS DE BOLA PVC-U - SERIE PN 10



Sizes	Solvent cement D16 - D110 (DN10-DN100) Threaded 3/8" - 4"	
Standards	Solvent socket - Metric Threaded - BSP Compression - metric, IPS, CTS	EN ISO 1452, EN ISO 15493 ISO 228-1
Working pressure	@ 20°C (73°F) D16 - D110 (3/8" - 4"): PN 10 (150 psi)	
Materials	O-rings: EPDM	Ball seats: HDPE
Characteristics	<ul style="list-style-type: none"> • "Antiblock" system that avoids ball blockage. • 100% factory tested. • Minimal pressure drop. • Low operating torque. • Resistance to many inorganic chemicals. • Excellent flow characteristics. 	<ul style="list-style-type: none"> • Sistema "Antiblock" que evita el bloqueo de la bola. • Probadas al 100% en fábrica. • Mínima pérdida de carga. • Bajo par de apertura y cierre. • Resistencia a múltiples sustancias químicas inorgánicas. • Excelentes características de conducción.
Certifications / regulations	Ball valve design regulation - EN ISO 16135	

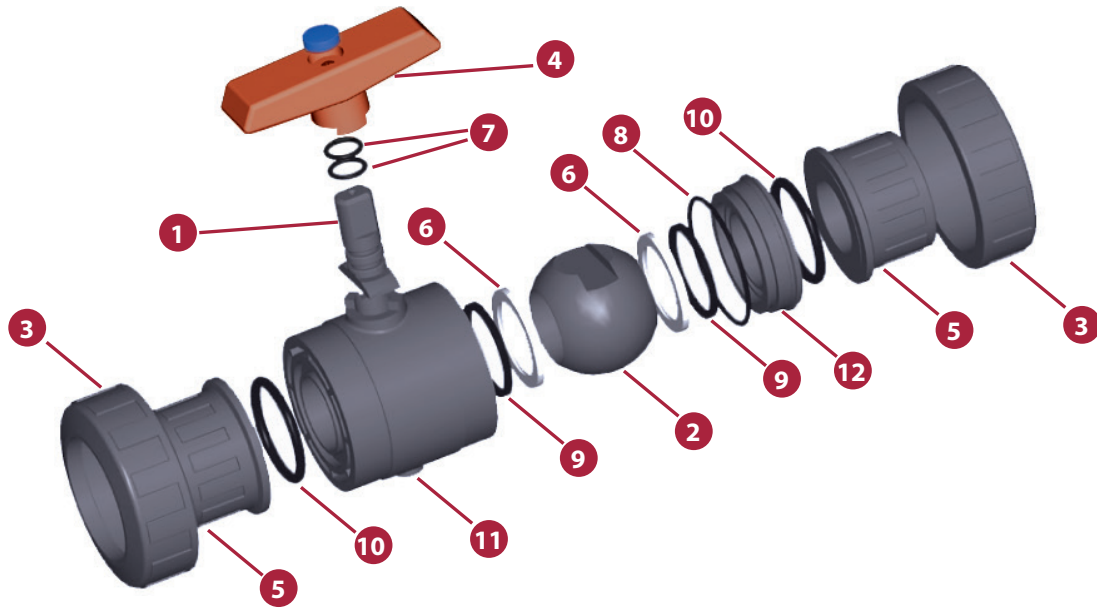
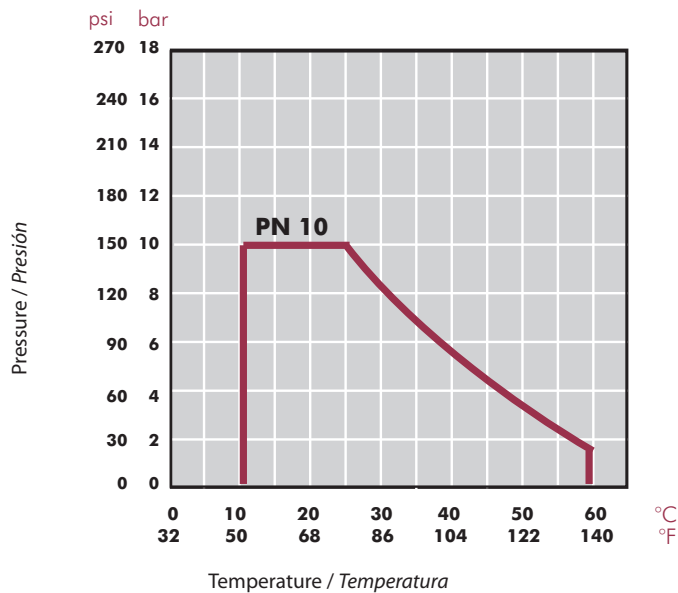


FIG.	Parts	Despiece	Material
1	Shaft	Eje	PVC-U
2	Ball	Bola	PVC-U
3	Union nut	Tuerca	PVC-U
4	Handle	Conjunto maneta	PP
5	End connector	Manguito enlace	PVC-U
6	Ball seat	Asiento bola	HDPE
7	Shaft o-ring	Junta eje	EPDM
8	Body o-ring	Junta cuerpo	EPDM
9	Dampener seal	Junta amortiguación	EPDM
10	End connector o-ring	Junta manguito	EPDM
11	Body	Cuerpo	PVC-U
12	Seal-carrier	Portajuntas	PVC-U

PRESSURE / TEMPERATURE GRAPH
DIAGRAMA PRESIÓN / TEMPERATURA

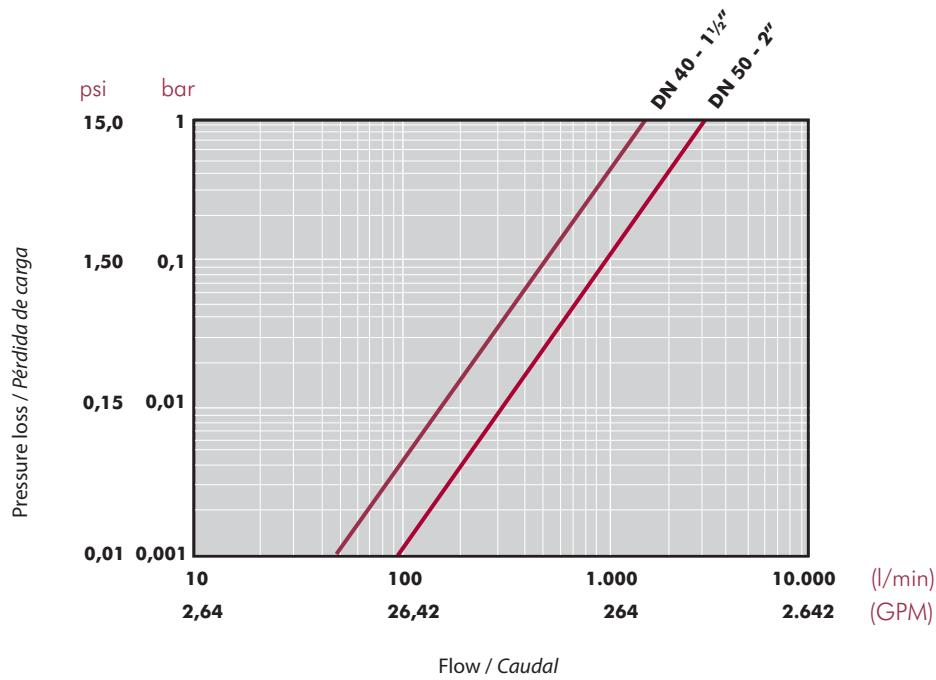


Life: 25 years
 Hydrostatic maximum pressure a component may withstand in continuous service (without overpressure)

Vida útil: 25 años
Presión hidrostática máxima que un componente es capaz de soportar en servicio continuo (sin sobrepresión)

PRESSURE LOSS DIAGRAM

DIAGRAMA DE PÉRDIDAS DE CARGA



RELATIVE FLOW

FLUJO RELATIVO

D	50-1 1/2"	63-2"
DN	40	50
Kv ₁₀₀	1.600	3.000
Cv	112	210,1

$Cv = Kv_{100} / 14,28$
 Kv_{100} (l/min, $\Delta p = 1$ bar)
 Cv (GPM, $\Delta p = 1$ psi)

OPERATIONAL TORQUE CHART

TABLA DE PAR DE MANIOBRA

D	50-1 1/2"	63-2"
DN	40	50
Nm	5	15
in-lbf	44,3	132,8

Operating torque values at rated pressure (PN) and 20 °C in as new direct from the factory condition. Installation and operating conditions (pressure and temperature) will affect these values.

Los valores de par de giro se determinan a presión nominal (PN) y a 20 °C, en condiciones de salida de fábrica. Las condiciones de instalación y operación (presión y temperatura) afectarán a estos valores.

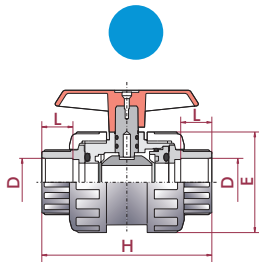
UP. 62. SF5 - PN10 BALL VALVE

"PN 10" ball valve

- PVC-U body
- Female solvent socket
- Metric series
- Seating joints in HDPE
- O-Rings in EPDM

Válvula de bola "PN 10"

- Cuerpo en PVC-U
- Encolar hembra
- Serie métrica
- Juntas asiento bola en HDPE
- Anillos tóricos en EPDM



D	DN	PN	REF.	CODE
50	40	10	05 62 050	02502
63	50	10	05 62 063	02503

L	H	E
31	162	94
38	192	117

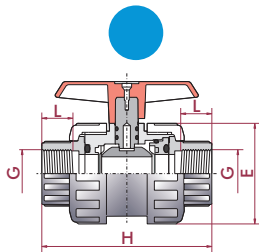
UP. 62. FT5 - PN10 BALL VALVE

"PN 10" ball valve

- PVC-U body
- BSP female thread
- Seating joints in HDPE
- O-Rings in EPDM

Válvula de bola "PN 10"

- Cuerpo en PVC-U
- Rosca hembra BSP
- Juntas asiento bola en HDPE
- Anillos tóricos en EPDM



G	DN	PN	REF.	CODE
1½"	40	10	05 62 650	02504
2"	50	10	05 62 663	02505

L	H	E
31	162	94
38	192	117

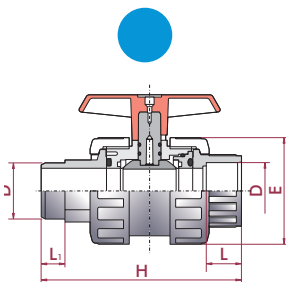
UP. 62. SMF5 - PN10 BALL VALVE

"PN 10" ball valve

- PVC-U body
- Male x female solvent socket
- Metric series
- Seating joints in HDPE
- O-Rings in EPDM

Válvula de bola "PN 10"

- Cuerpo en PVC-U
- Encolar macho x hembra
- Serie métrica
- Juntas asiento bola en HDPE
- Anillos tóricos en EPDM



D	DN	PN	REF.	CODE
50	40	10	05 62 250	02506
63	50	10	05 62 263	02507

L	L ₁	H	E
31	31	185	94
38	38	221	117

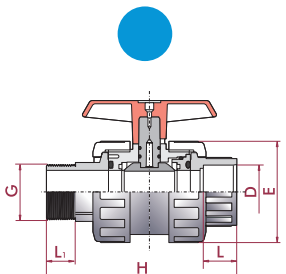
UP. 62. SMFT5 - PN10 BALL VALVE

"PN 10" ball valve

- PVC-U body
- BSP male thread x female solvent socket
- Seating joints in HDPE
- O-Rings in EPDM

Válvula de bola "PN 10"

- Cuerpo en PVC-U
- Roscar macho BSP x encolar hembra
- Juntas asiento bola en HDPE
- Anillos tóricos en EPDM



D x G	DN	PN	REF.	CODE
50 x 1½"	40	10	05 62 450	02508
63 x 2"	50	10	05 62 463	02509

L	L ₁	H	E
31	21	175	94
38	28	211	117

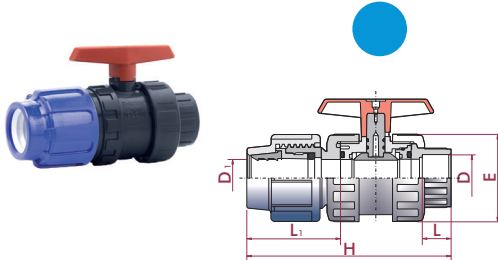
UP. 63. PESF5 - PN10 BALL VALVE

"PN 10" ball valve

- PVC-U body
- PE connection x female solvent socket
- Metric series
- Seating joints in HDPE
- O-Rings in EPDM

Válvula de bola "PN 10"

- Cuerpo en PVC-U
- Conexión a PE x encolar hembra
- Serie métrica
- Juntas asiento bola en HDPE
- Anillos tóricos en EPDM



D x D ₁	DN	PN	REF.	CODE
16 x 16	10	10	05 63 016	05363
20 x 20	15	10	05 63 020	02510
25 x 25	20	10	05 63 025	02511
32 x 32	25	10	05 63 032	02512
40 x 40	32	10	05 63 040	02513
50 x 50	40	10	05 63 050	02514
63 x 63	50	10	05 63 063	02515
75 x 75	65	10	05 63 075	02516
90 x 90	80	10	05 63 090	34648
110 x 110	80	10	05 63 110	34649

L	L ₁	H	E
16	40	110	53
16	40	110	53
19	45	135	60
22	53	157	71
26	66	177	80
31	67	190	90
38	80	223	117
44	95	283	148
51	119	325	179
61	149	355	179

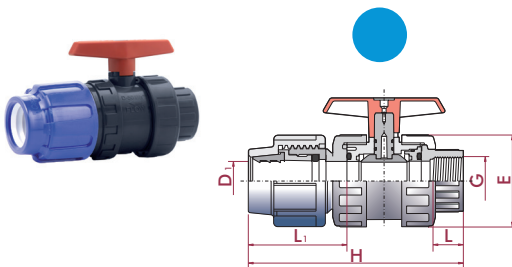
UP. 63. PEFT5 - PN10 BALL VALVE

"PN 10" ball valve

- PVC-U body
- PE connection x BSP female thread
- Seating joints in HDPE
- O-Rings in EPDM

Válvula de bola "PN 10"

- Cuerpo en PVC-U
- Conexión a PE x rosca hembra BSP
- Juntas asiento bola en HDPE
- Anillos tóricos en EPDM



G x D ₁	DN	PN	REF.	CODE
¾" x 16	10	10	05 63 416	05364
½" x 20	15	10	05 63 420	02517
¾" x 25	20	10	05 63 425	02518
1" x 32	25	10	05 63 432	02519
1¼" x 40	32	10	05 63 440	02520
1½" x 50	40	10	05 63 450	02521
2" x 63	50	10	05 63 463	02522
2½" x 75	65	10	05 63 475	02523
3" x 90	80	10	05 63 490	34650
4" x 110	80	10	05 63 510	34651

L	L ₁	H	E
16	40	110	53
16	40	110	53
19	45	135	60
22	53	157	71
26	66	177	80
31	67	190	90
38	80	223	117
44	95	285	148
51	119	325	179
61	149	355	179

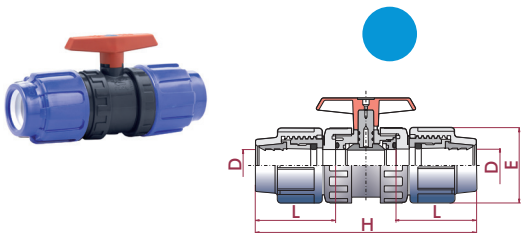
UP. 63. PE5 - PN10 BALL VALVE

"PN 10" ball valve

- PVC-U body
- PE connection
- Metric series
- Seating joints in HDPE
- O-Rings in EPDM

Válvula de bola "PN 10"

- Cuerpo en PVC-U
- Conexión a PE
- Serie métrica
- Juntas asiento bola en HDPE
- Anillos tóricos en EPDM



D	DN	PN	REF.	CODE
16 x 16	10	10	05 63 616	05365
20 x 20	15	10	05 63 620	02524
25 x 25	20	10	05 63 625	02525
32 x 32	25	10	05 63 632	02526
40 x 40	32	10	05 63 640	02527
50 x 50	40	10	05 63 650	02528
63 x 63	50	10	05 63 663	02529
75 x 75	65	10	05 63 675	02530
90 x 90	80	10	05 63 690	34652
110 x 110	80	10	05 63 710	34653

L	H	E
40	140	53
40	140	53
45	159	60
53	193	74
66	223	80
67	229	90
80	278	117
95	334	148
119	380	179
149	434	179

PVC-U BALL VALVES - UNIBLOCK SERIES

VÁLVULAS DE BOLA PVC-U - SERIE UNIBLOCK



Sizes	Solvent cement D20 - D110 (DN15-DN100) Threaded ½" - 4"	
Standards	Solvent socket - Metric, British standard, ASTM Threaded - BSP, NPT Compression - metric, IPS, CTS	EN ISO 1452, EN ISO 15493, BS 4346-1, ASTM D 2467 ISO 228-1, ASTM D 2464
Working pressure	@ 20°C (73°F) D20 - D110 (1/2" - 4"): PN 10 (150 psi)	
Materials	O-rings: EPDM	Ball seats: HDPE
Characteristics	<ul style="list-style-type: none"> • "Antiblock" system that avoids ball blockage. • 100% factory tested. • Low maintenance. • Fast replacement of O-Rings and ball seat without additional tools. • Excellent flow characteristics. • Easy to install. • Light weight. • Ideally suited for irrigation and swimming pools. 	<ul style="list-style-type: none"> • Sistema "Antiblock" que evita el bloqueo de la bola. • Probadas al 100% en fábrica. • Larga vida sin mantenimiento. • Reemplazo rápido de las juntas y de la junta de asiento de la bola sin herramientas adicionales. • Excelentes características de conducción. • Fácil de instalar. • Ligera. • Especialmente indicada para riego y piscina.
Certifications / regulations	Ball valve design regulation - EN ISO 16135 NSF National Sanitation Foundation (USA) Only products bearing the NSF Mark are certified NSF 61 1½" thru 2" Socketed 1½" thru 2" Threaded ASTM F1970	

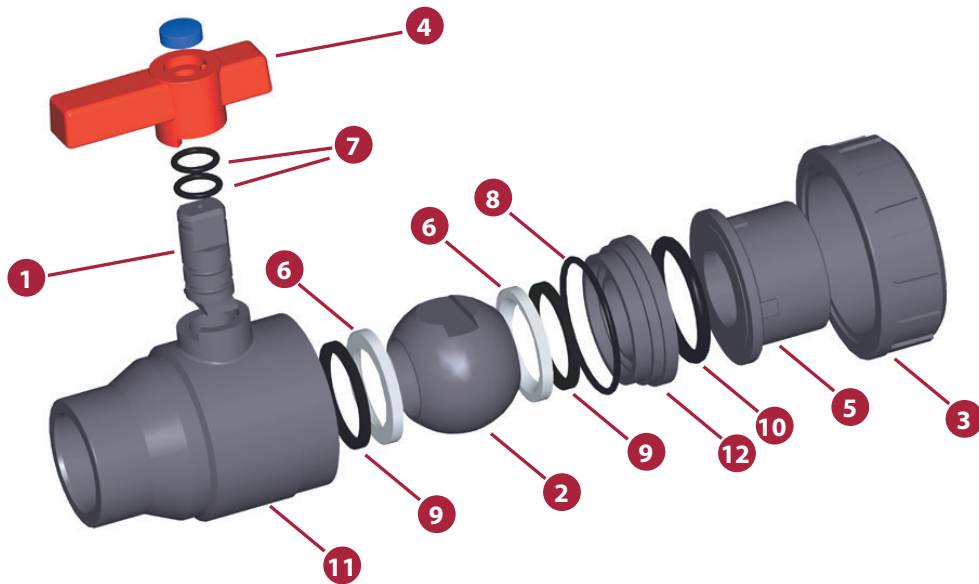
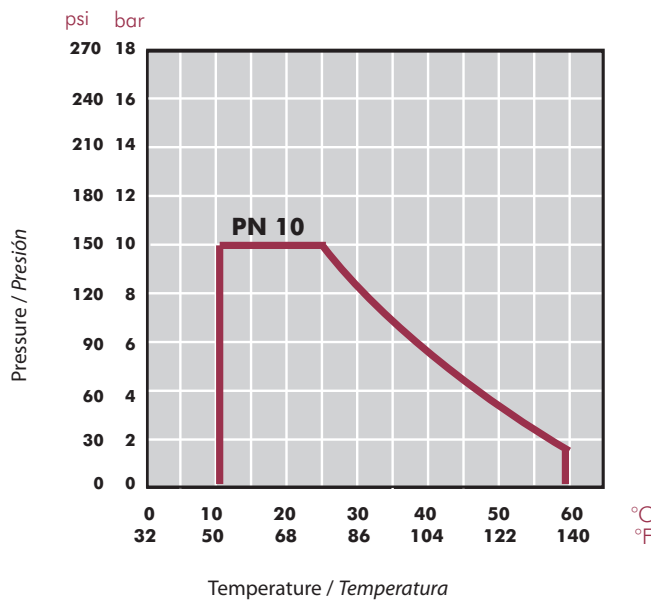


FIG.	Parts	Despiece	Material
1	Shaft	Eje	PVC-U
2	Ball	Bola	PVC-U
3	Union nut	Tuerca	PVC-U
4	Handle	Conjunto maneta	ABS
5	End connector	Manguito enlace	PVC-U
6	Ball seat	Asiento bola	HDPE
7	Shaft o-ring	Junta eje	EPDM
8	Body o-ring	Junta cuerpo	EPDM
9	Dampener seal	Junta amortiguación	EPDM
10	End connector o-ring	Junta manguito	EPDM
11	Body	Cuerpo	PVC-U
12	Seal-carrier	Portajuntas	PVC-U

PRESSURE / TEMPERATURE GRAPH
DIAGRAMA PRESIÓN / TEMPERATURA

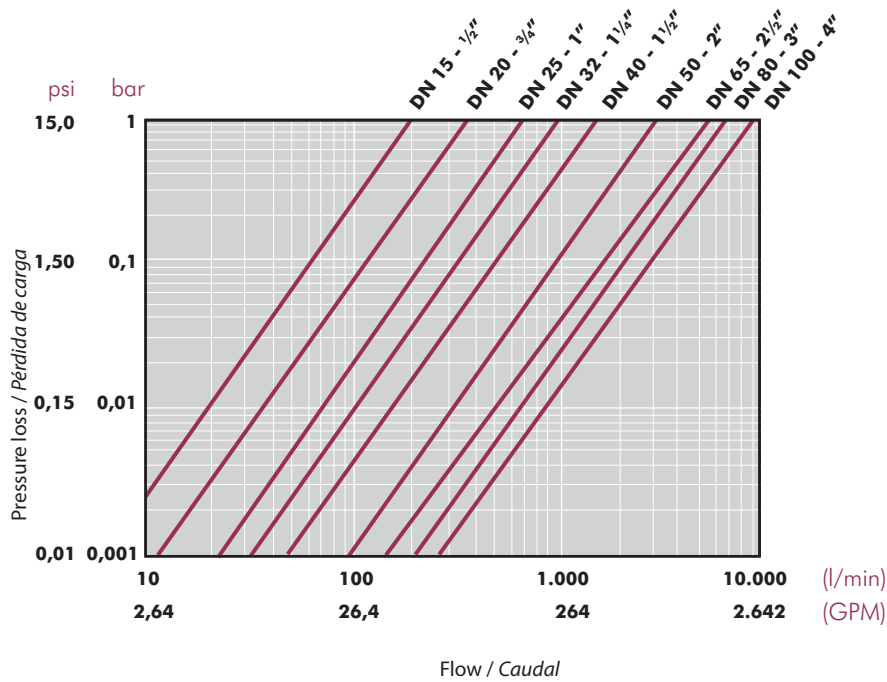


Life: 25 years
 Hydrostatic maximum pressure a component may withstand in continuous service (without overpressure)

Vida útil: 25 años
Presión hidrostática máxima que un componente es capaz de soportar en servicio continuo (sin sobrepresión)

PRESSURE LOSS DIAGRAM

DIAGRAMA DE PÉRDIDAS DE CARGA



RELATIVE FLOW

FLUJO RELATIVO

D	20-1/2"	25-3/4"	32-1"	40-1 1/4"	50-1 1/2"	63-2"	75-2 1/2"	90-3"	110-4"
DN	15	20	25	32	40	50	65	80	100
Kv ₁₀₀	190	380	690	980	1.600	3.000	5.500	6.800	8900
Cv	13,3	26,6	48,3	68,6	112	210,1	385,2	476,2	623,2

$Cv = Kv_{100} / 14,28$
 Kv_{100} (l/min, $\Delta p = 1$ bar)
 Cv (GPM, $\Delta p = 1$ psi)

OPERATIONAL TORQUE CHART

TABLA DE PAR DE MANIOBRA

D	20-1/2"	25-3/4"	32-1"	40-1 1/4"	50-1 1/2"	63-2"	75-2 1/2"	90-3"	110-4"
DN	15	20	25	32	40	50	65	80	100
Nm	1	2	3,5	3,5	5	15	25	45	60
in-lbf	8,9	17,7	31	31	44,3	132,8	221,3	398,3	531

Operating torque values at rated pressure (PN) and 20 °C in as new direct from the factory condition. Installation and operating conditions (pressure and temperature) will affect these values.

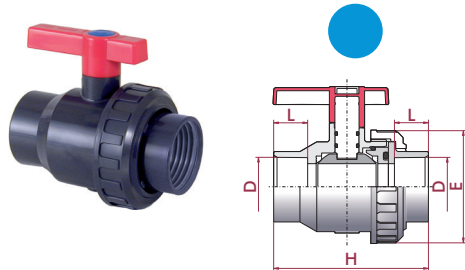
Los valores de par de giro se determinan a presión nominal (PN) y a 20 °C, en condiciones de salida de fábrica. Las condiciones de instalación y operación (presión y temperatura) afectarán a estos valores.

UP. 70S. SF5 - UNIBLOCK BALL VALVES
"Uniblock" ball valve

- PVC-U body
- Female solvent socket
- Metric series
- Seating joints in HDPE
- O-Rings in EPDM

Válvula de bola "Uniblock"

- Cuerpo en PVC-U
- Encolar hembra
- Serie métrica
- Juntas asiento bola en HDPE
- Anillos tóricos en EPDM



D	DN	PN	REF.	CODE
20	15	10	05 70 020	22773
25	20	10	05 70 025	22774
32	25	10	05 70 032	22775
40	32	10	05 70 040	22776
50	40	10	05 70 050	11375
63	50	10	05 70 063	15826
75	65	10	05 70 075	22777
90	80	10	05 70 090	22778
110	100	10	05 70 111	36728

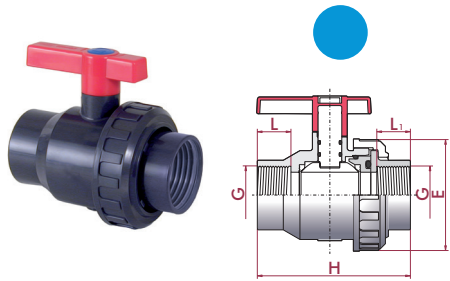
L	H	E
16	81	52
19	99	60
22	111	69
26	130	84
31	135	94
38	169	116
44	220	128
51	256	178
63	331	228

UP. 70S. FT5 - UNIBLOCK BALL VALVES
"Uniblock" ball valve

- PVC-U body
- BSP female thread
- Seating joints in HDPE
- O-Rings in EPDM

Válvula de bola "Uniblock"

- Cuerpo en PVC-U
- Rosca hembra BSP
- Juntas asiento bola en HDPE
- Anillos tóricos en EPDM



G	DN	PN.	REF.	CODE
½"	15	10	05 70 620	22791
¾"	20	10	05 70 625	22792
1"	25	10	05 70 632	22793
1¼"	32	10	05 70 640	22794
1½"	40	10	05 70 650	11377
2"	50	10	05 70 663	15829
2½"	65	10	05 70 675	22795
3"	80	10	05 70 690	22796
4"	100	10	05 70 711	36729

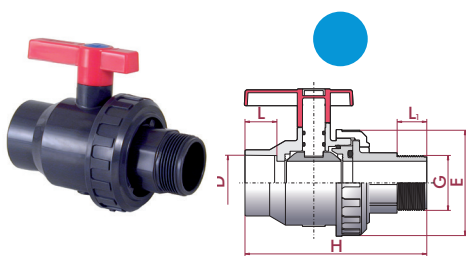
L	H	E
16	81	52
19	99	60
19	111	69
23	130	84
31	135	94
34	169	116
44	220	128
51	256	178
63	331	228

UP. 70S. MT5 - UNIBLOCK BALL VALVES
"Uniblock" ball valve

- PVC-U body
- Female solvent socket body & BSP male thread union
- Seating joints in HDPE
- O-Rings in EPDM

Válvula de bola "Uniblock"

- Cuerpo en PVC-U
- Cuerpo encolar hembra y manguito rosca macho BSP
- Juntas asiento bola en HDPE
- Anillos tóricos en EPDM



G x D	DN	PN	REF.	CODE
½" x 20	15	10	05 70 420	22785
¾" x 25	20	10	05 70 425	22786
1" x 32	25	10	05 70 432	22787
1¼" x 40	32	10	05 70 440	22788
1½" x 50	40	10	05 70 450	11374
2" x 63	50	10	05 70 463	15827
2½" x 75	65	10	05 70 475	22789
3" x 90	80	10	05 70 490	22790
4" x 110	100	10	05 70 511	36730

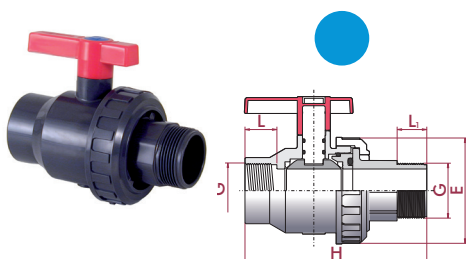
L	L ₁	H	E
16	12	93	52
19	16	115	60
22	20	131	69
26	21	147	84
31	21	155	94
38	28	195	116
44	30	243	128
51	33	283	178
61	40	349	228

UP. 70F. MT5 - UNIBLOCK BALL VALVES
"Uniblock" ball valve

- PVC-U body
- BSP female thread body & BSP male thread union
- Seating joints in HDPE
- O-Rings in EPDM

Válvula de bola "Uniblock"

- Cuerpo en PVC-U
- Cuerpo rosca hembra BSP y manguito rosca macho BSP
- Juntas asiento bola en HDPE
- Anillos tóricos en EPDM



G	DN	PN	REF.	CODE
½"	15	10	05 70 220	22779
¾"	20	10	05 70 225	22780
1"	25	10	05 70 232	22781
1¼"	32	10	05 70 240	22782
1½"	40	10	05 70 250	11376
2"	50	10	05 70 263	15828
2½"	65	10	05 70 275	22783
3"	80	10	05 70 290	22784
4"	100	10	05 70 311	36731

L	L ₁	H	E
16	12	93	52
19	16	115	60
19	20	131	69
23	21	147	84
31	21	155	94
34	28	195	116
44	30	243	128
51	33	283	178
61	40	349	228

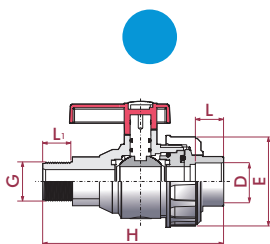
UP. 70M. SF5 - UNIBLOCK BALL VALVES

"Uniblock" ball valve

- PVC-U body
- BSP male thread body & female solvent socket union
- Seating joints in HDPE
- O-Rings in EPDM

Válvula de bola "Uniblock"

- Cuerpo en PVC-U
- Cuerpo rosca macho BSP y manguito encolar hembra
- Juntas asiento bola en HDPE
- Anillos tóricos en EPDM



G x D	DN	PN	REF.	CODE
½" x 20	15	10	05 70 320	23098
¾" x 25	20	10	05 70 325	23099
1" x 32	25	10	05 70 332	23100
1¼" x 40	32	10	05 70 340	23101

L	L ₁	H	E
16	16	117	52
19	19	122	60
22	24	142	69
23	26	149	84

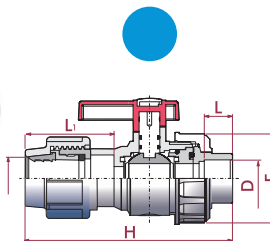
UP. 70PE. SF5 - UNIBLOCK BALL VALVES

"Uniblock" ball valve

- PVC-U body
- PE connection body & female solvent socket union
- Metric series
- Seating joints in HDPE
- O-Rings in EPDM

Válvula de bola "Uniblock"

- Cuerpo en PVC-U
- Cuerpo conexión PE y manguito encolar hembra
- Serie métrica
- Juntas asiento bola en HDPE
- Anillos tóricos en EPDM



D	DN	PN	REF.	CODE
20	15	10	05 70 120	23090
25	20	10	05 70 125	23091
32	25	10	05 70 132	23092
40	32	10	05 70 140	23093

L	L ₁	H	E
16	49	115	51
19	59	140	60
22	73	163	69
26	94	198	84

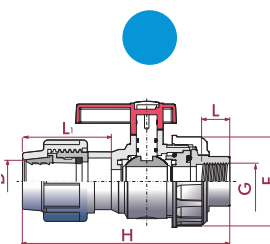
UP. 70PE. FT5 - UNIBLOCK BALL VALVES

"Uniblock" ball valve

- PVC-U body
- PE connection body & BSP female thread union
- Seating joints in HDPE
- O-Rings in EPDM

Válvula de bola "Uniblock"

- Cuerpo en PVC-U
- Cuerpo conexión PE y manguito rosca hembra BSP
- Juntas asiento bola en HDPE
- Anillos tóricos en EPDM



D x G	DN	PN	REF.	CODE
20 x ½"	15	10	05 70 520	23094
25 x ¾"	20	10	05 70 525	23095
32 x 1"	25	10	05 70 532	23096
40 x 1¼"	32	10	05 70 540	23097

L	L ₁	H	E
16	49	115	51
19	59	140	60
22	73	163	69
26	94	198	84

PVC-U BALL VALVES - 3-WAY SERIES

VÁLVULAS DE BOLA PVC-U - SERIE 3 VÍAS



Sizes	Solvent cement D50 (DN40) Threaded 1½"	
Standards	Solvent socket - Metric, British standard, ASTM Threaded - BSP, NPT	EN ISO 1452, EN ISO 15493, BS 4346-1, ASTM D 2467 ISO 228-1, ASTM D 2464
Working pressure	@ 20°C (73°F) D50 (1½"): PN 10 (150 psi)	
Materials	O-rings: EPDM	Ball seats: HDPE
Characteristics	<ul style="list-style-type: none"> • The flow can be diverted 90° or directed to intermediate ports. • The ball, with its T-shape flow pass, allows the following options: <ul style="list-style-type: none"> - Three way valve, maximum flow. - Two way valve 90° ports, third way closed. • Self-centering ball with 4 seats. • Handle can be positively located for maximum performance intermediate positions. 	<ul style="list-style-type: none"> • El paso del fluido puede derivarse a 90° o a puertos intermedios. • La bola, con paso del fluido en forma de "T", permite diferentes posiciones: <ul style="list-style-type: none"> - Tres vías abiertas, caudal máximo. - Dos vías a 90°, tercera cerrada. • Bola autocentrable con 4 asientos. • Sistema de anclaje en la maneta para trabajar en posiciones intermedias con máximo rendimiento.
Certifications / regulations		

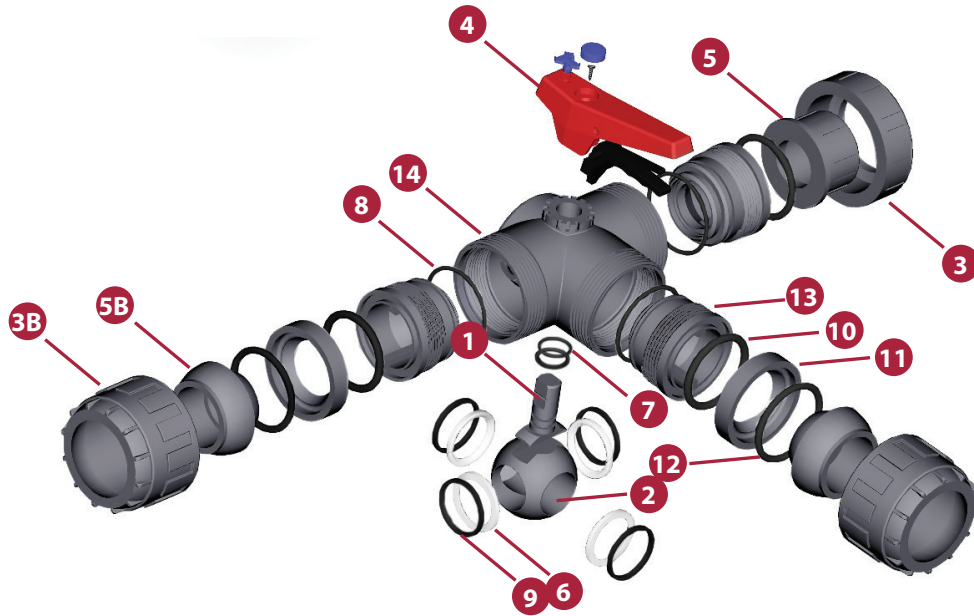
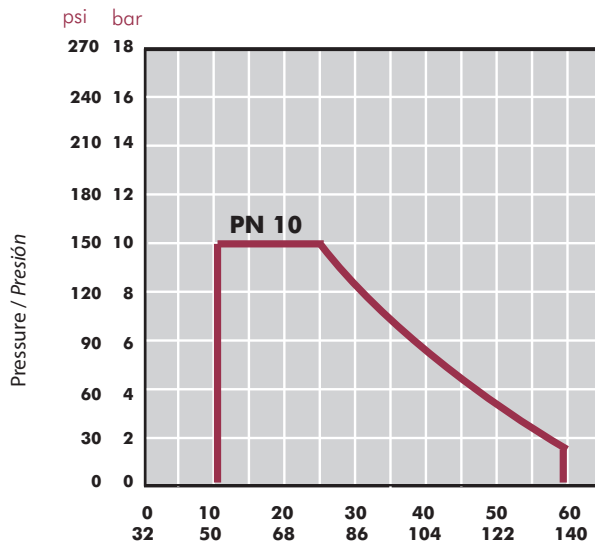


FIG.	Parts	Despiece	Material
1	Shaft	Eje	PVC-U
2	Ball	Bola	PVC-U
3	Union nut	Tuerca	PVC-U
3B	Self-align union nut	Tuerca orientable	PVC-U
4	Handle	Conjunto maneta	PP
5	End connector	Manguito enlace	PVC-U
5B	Self-align end connector	Manguito enlace orientable	PVC-U
6	Ball seat	Asiento bola	HDPE
7	Stem o-ring	Junta eje	EPDM
8	Body o-ring	Junta cuerpo	EPDM
9	Dampener seal	Junta amortiguación	EPDM
10	End connector o-ring	Junta manguito	EPDM
11	Ball-and-socket joint	Rótula	PVC-U
12	Ball-and-socket joint o-ring	Junta rótula	PE
13	Seal-carrier	Portajuntas	PVC-U
14	Body	Cuerpo	PVC-U

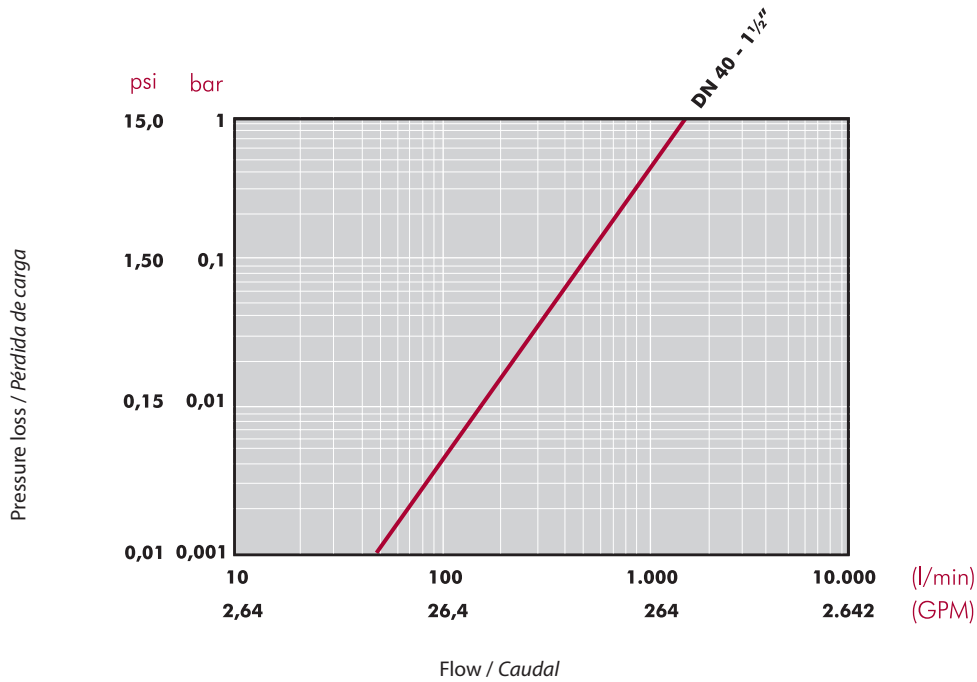
PRESSURE / TEMPERATURE GRAPH
DIAGRAMA PRESIÓN / TEMPERATURA



Life: 25 years
 Hydrostatic maximum pressure a component may withstand in continuous service (without overpressure)

Vida útil: 25 años
 Presión hidrostática máxima que un componente es capaz de soportar en servicio continuo (sin sobrepresión)

PRESSURE LOSS DIAGRAM
DIAGRAMA DE PÉRDIDAS DE CARGA



RELATIVE FLOW
FLUJO RELATIVO

D	50-1½"
DN	40
Kv ₁₀₀	1.050
Cv	73,5

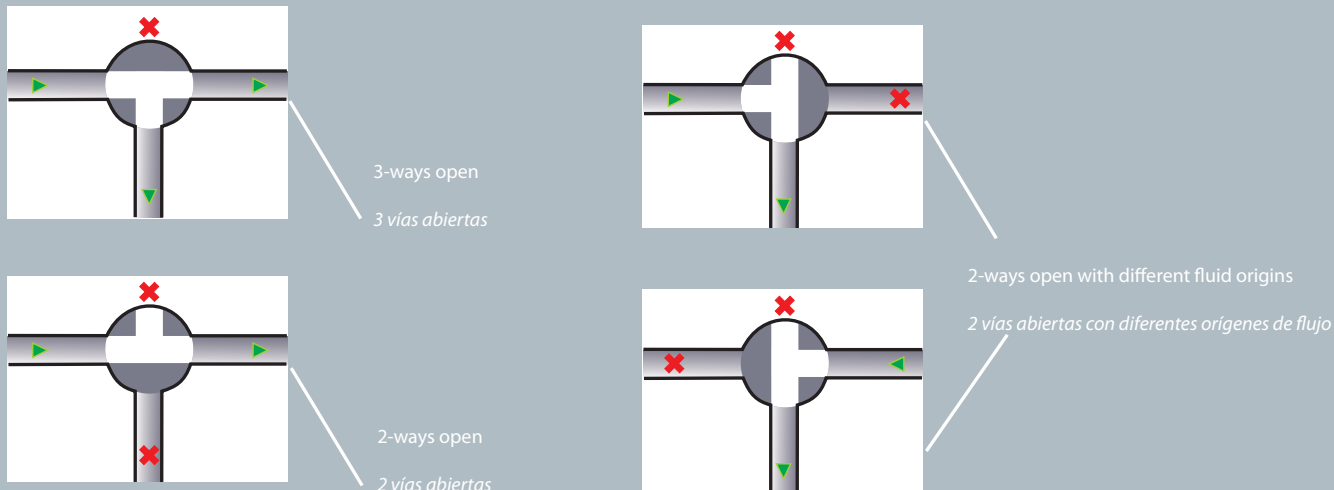
$Cv = Kv_{100} / 14,28$
 Kv_{100} (l/min, Δp = 1 bar)
 Cv (GPM, Δp = 1 psi)

OPERATIONAL TORQUE CHART
TABLA DE PAR DE MANIOBRA

D	50-1½"
DN	40
Nm	5
in·lbf	44,3

Operating torque values at rated pressure (PN) and 20 °C in as new direct from the factory condition. Installation and operating conditions (pressure and temperature) will affect these values. The actuator that is required for an automatic operation must be calculated according to some safety factors that were determined in life tests carried out in the factory.

Los valores de par de giro se determinan a presión nominal (PN) y a 20 °C, en condiciones de salida de fábrica. Las condiciones de instalación y operación (presión y temperatura) afectarán a estos valores. El actuador requerido para automatizar el giro debe ser calculado teniendo en cuenta ciertos coeficientes de seguridad que han sido determinados en pruebas de fatiga realizadas en fábrica.



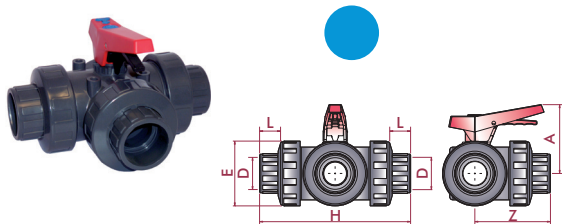
UP. 74. SF1 - 3-WAY BALL VALVE

3-way ball valve

- PVC-U body
- Female solvent socket
- Metric series
- Seating joints in HDPE
- O-Rings in EPDM
- T port

Válvula de bola 3 vías

- Cuerpo en PVC-U
- Encolar hembra
- Serie métrica
- Juntas asiento bola en HDPE
- Anillos tóricos en EPDM
- Bola en T



D	DN	PN	REF.	CODE
50	40	10	05 74 050	20168

L	H	E	A	Z
32	240	104	108	120

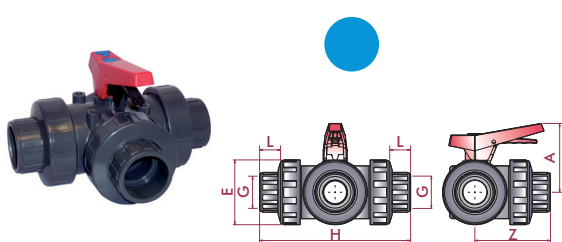
UP. 74. FT1 - 3-WAY BALL VALVE

3-way ball valve

- PVC-U body
- BSP female thread
- Seating joints in HDPE
- O-Rings in EPDM
- T port

Válvula de bola 3 vías

- Cuerpo en PVC-U
- Rosca hembra BSP
- Juntas asiento bola en HDPE
- Anillos tóricos en EPDM
- Bola en T



G	DN	PN	REF.	CODE
1½	40	10	05 74 650	20170

L	H	E	A	Z
32	240	104	108	120

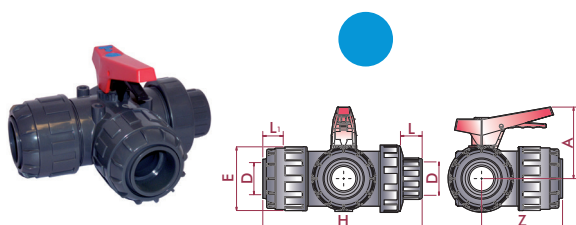
UP. 74. OSF1 - 3-WAY BALL VALVE

3-way ball valve with self align unions (2 of 3)

- Max. misalignment ±4°
- PVC-U body
- Female solvent socket
- Metric series
- Seating joints in HDPE
- O-Rings in EPDM
- T port

Válvula de bola 3 vías con manguitos orientables (2 de 3)

- Desalineación max. ±4°
- Cuerpo en PVC-U
- Encolar hembra
- Serie métrica
- Juntas asiento bola en HDPE
- Anillos tóricos en EPDM
- Bola en T



D	DN	PN	REF.	CODE
50	40	10	05 74 250	20169

L	L ₁	H	E	A	Z
32	32	249	97	108	135

CHECK VALVES
VÁLVULAS ANTI-RETORNO

02



SPRING SERIES

190



FOOT SPRING SERIES

195



UNIBLOCK SERIES

199



BALL SERIES

203



FOOT BALL SERIES

208



SWING CHECK SERIES

212

SELECTING CHECK VALVES SELECCIÓN DE VÁLVULAS DE RETENCIÓN

		Sizes Medidas	PN	Body material Material cuerpo	Body O-rings Junta de cuerpo	Connection type Tipo conexión
 <p>SPRING SERIES <i>SERIE MUELLE</i></p>	D16 - D63 ($\frac{3}{8}$ " - 2")	PN 16 240 psi	PVC-U PVC-C	EPDM FPM	True union	
	D75 - D110 (2½" - 4")	PN 10 150 psi				
 <p>BALL SERIES <i>SERIE BOLA</i></p>	D20 - D63 (½" - 2")	PN 16 240 psi	PVC-U PVC-C	EPDM FPM	True union	
	D75 - D110 (2½" - 4")	PN 10 150 psi				
 <p>SWING CHECK <i>CLAPETA</i></p>	D75 - D315 (2½" - 12")	PN 6 90 psi	PVC-U	EPDM FPM	Flanges	
 <p>FOOT VALVES <i>VÁLVULAS DE PIE</i></p>						

Concept
&
typical application

Shuts off flow by means of a cone pushed by a spring which helps it to obtain an entirely watertight closure.

The difference in pressure between two points of the installation is able to overcome the resistance of the spring, thus making the fluid flow in the desired direction and preventing the flow passage in the other.

Transported material

- Clean liquids, not viscous and without containing particles.

Installation

- Horizontal or vertical.

Materials

- Metallic spring (stainless steel).

Piping

- Moderated flows.

Others

- Very reliable closing.

Closing by means of a sphere which closes against a joint.

The ball closing is by gravity, which means that the most usual assembly position is vertical, with an inverse pressure at fluid presence.

Transported material

- Any type of liquid.

Installation

- Vertical, horizontal (see minimum pressure).

Materials

- Made completely in plastic.

Piping

- Ideally suited for large flows.

Others

- Minimum pressure loss.

The flap or disk has only one opening direction.

Installation takes up minimum space in the system.

Transported material

- Any type of liquid, it does not obstruct the passage of the fluid.

Installation

- Vertical, horizontal (see minimum pressure). Takes up minimum space in the system.

Materials

- All parts which are in contact with fluid are plastic.

Piping

- High flows.

Others

- Used for low pressures and big piping sizes.

Foot valve operation

Foot valves are a particular type of check valves which are installed on the base of an aspiration pipe of a pump to prevent the impulsion pipe from emptying.

The valve must be installed between the pump and the tank in order to let the fluid access the pump and stopping it when returning to the tank.

The entry of the valve is protected by a screen filter to prevent the entry of unwanted elements which could exist in the tank or deposit.

Concepto
y
aplicaciones típicas

Cierre por medio de un cono empujado por un muelle que la ayuda a realizar un cierre completamente estanco.

La diferencia de presión entre dos puntos de la instalación es capaz de vencer la resistencia del muelle, discurriendo así el fluido en el sentido previsto e impidiéndose el paso en sentido contrario.

Material conducido

- Líquidos limpios, no viscosos y sin partículas en suspensión.

Instalación

- Horizontal o vertical.

Materiales

- Muelle metálico (acero inoxidable).

Conducciones

- Caudales moderados.

Otros

- Cierre muy fiable.

Cierre por medio de una esfera que cierra contra una junta.

El cierre de la bola siempre es por gravedad, lo cual significa que la posición de montaje más usual es en circuitos verticales y con una presión inversa con presencia de fluido.

Material conducido

- Cualquier tipo de líquido.

Instalación

- Vertical, horizontal (consultar presión mínima).

Materiales

- Fabricada completamente en plástico.

Conducciones

- Ideal para altos caudales.

Otros

- Mínima pérdida de carga.

La clapeta o disco sólo tiene un sentido de apertura.

Instalación sin ocupar casi espacio del sistema.

Material conducido

- Cualquier tipo de líquido, no ofrece obstáculos al paso del fluido.

Instalación

- Vertical, horizontal (consultar presión mínima), usa poco espacio de instalación.

Materiales

- Partes en contacto con el fluido, de plástico.

Conducciones

- Caudales elevados.

Otros

- Usada para bajas presiones y diámetros muy grandes.

Funcionamiento válvula de pie

Las válvulas de pie son un tipo particular de válvula de retención que se instala en la base de la tubería de aspiración de una bomba, para evitar que se produzca el vaciado de la conducción de impulsión.

La válvula se debe instalar entre la bomba y el tanque, permitiendo que el fluido acceda a la bomba e impidiendo que regrese al tanque.

La entrada de la válvula suele estar protegida con un filtro para impedir la entrada de elementos extraños que puedan existir en el depósito o pozo de aspiración.

PVC-U CHECK VALVES - SPRING SERIES

VÁLVULAS ANTI-RETORNO PVC-U - SERIE MUELLE



Sizes	Solvent cement D16 - D110 (DN10 - DN100) Threaded 3/8" - 4"	
Standards	Solvent socket - Metric, British standard, ASTM, JIS Threaded - BSP, NPT	EN ISO 1452, EN ISO 15493, BS 4346-1, ASTM D 2467, JIS K 6743 ISO 228-1, ASTM D 2464
Working pressure	@ 20°C (73°F) D16-D63 (3/8" - 2"): PN 16 (240 psi) D75 - D110 (2 1/2" - 4"): PN 10 (150 psi)	
Minimum working pressure		
Materials	O-rings: EPDM / FPM	
Characteristics	<ul style="list-style-type: none"> • May be used either vertically and horizontally. • 100% factory tested. • Easy installation and maintenance. • Available in PVC-U and Corzan® PVC-C. • Resistance to many inorganic chemicals. • Excellent flow characteristics. 	<ul style="list-style-type: none"> • Se pueden usar indistintamente verticalmente o horizontalmente. • Probadas al 100% en fábrica. • Fácil instalación y mantenimiento. • Disponibles en PVC-U y Corzan® PVC-C. • Resistencia a múltiples sustancias químicas inorgánicas. • Excelentes características de conducción.
Certifications / regulations	Check valve design regulation - ISO 16137:2006	

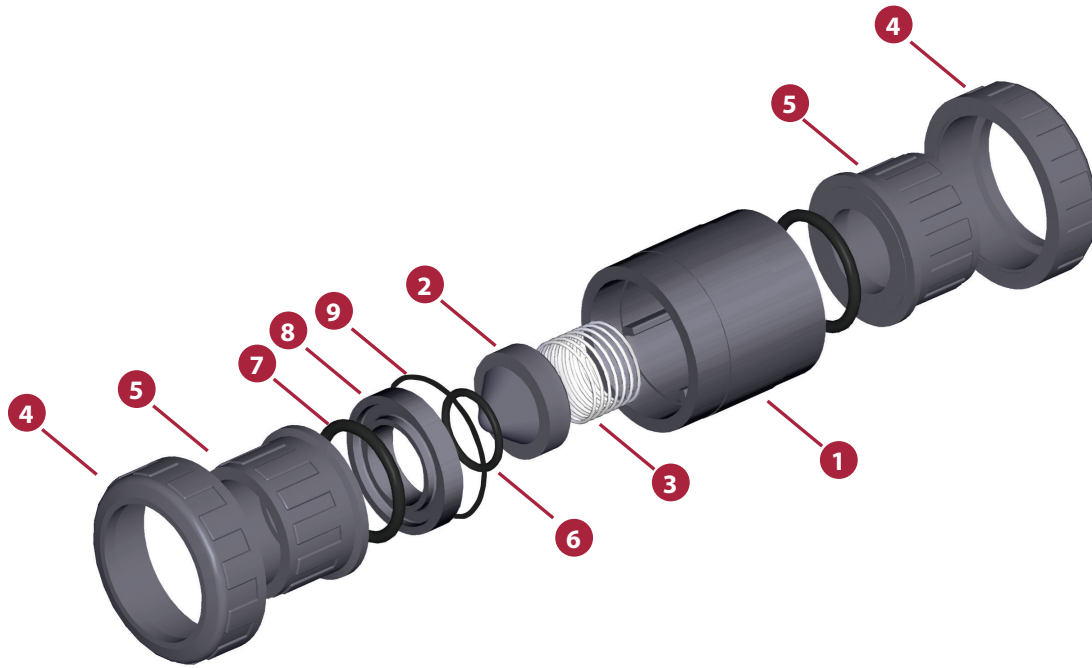
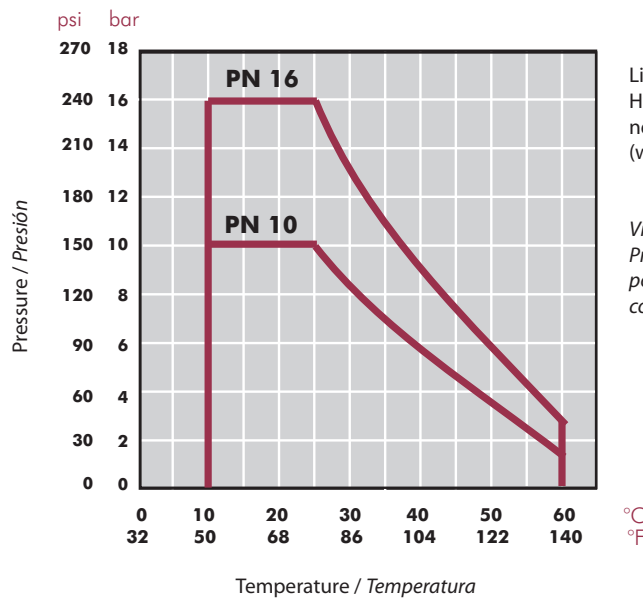


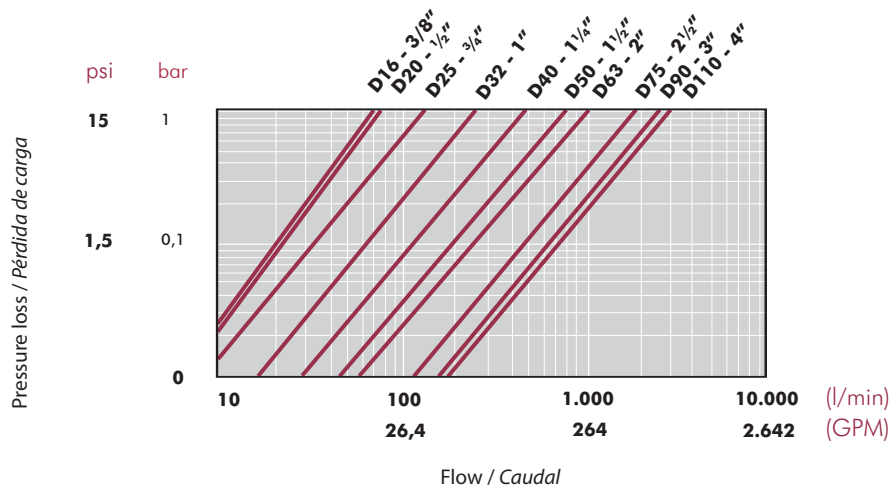
FIG.	Parts	Despiece	Material
1	Body	Cuerpo	PVC-U
2	Cone	Cono de cierre	PVC-U
3	Spring	Muelle	Stainless Steel AISI 302 / PTFE coated *
4	Union nut	Tuerca	PVC-U
5	End connector	Manguito enlace	PVC-U
6	Cone o-ring	Junta cono	EPDM / FPM
7	End connector o-ring	Junta manguito	EPDM / FPM
8	Seal-carrier	Portajuntas	PVC-U
9	Body o-ring	Junta cuerpo	EPDM / FPM

PRESSURE / TEMPERATURE GRAPH
DIAGRAMA PRESIÓN / TEMPERATURA



Life: 25 years
 Hydrostatic maximum pressure a component may withstand in continuous service (without overpressure)

Vida útil: 25 años
 Presión hidrostática máxima que un componente es capaz de soportar en servicio continuo (sin sobrepresión)

PRESSURE LOSS DIAGRAM
DIAGRAMA DE PÉRDIDAS DE CARGA

RELATIVE FLOW
FLUJO RELATIVO

D	20-1/2"	25-3/4"	32-1"	40-1 1/4"	50-1 1/2"	63-2"	75-2 1/2"	90-3"	110-4"
DN	15	20	25	32	40	50	65	80	100
Kv ₁₀₀	68	133	208	383	667	850	1533	1160	1200
Cv	5	9	15	27	47	60	107	81,2	84

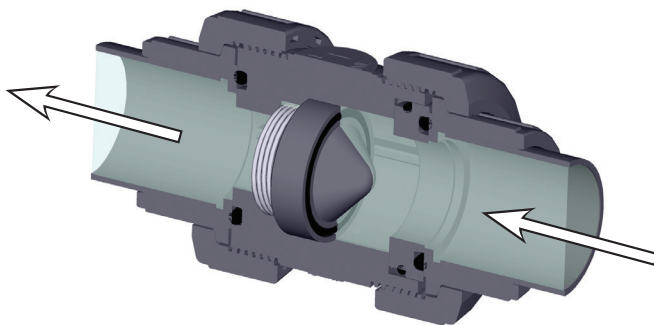
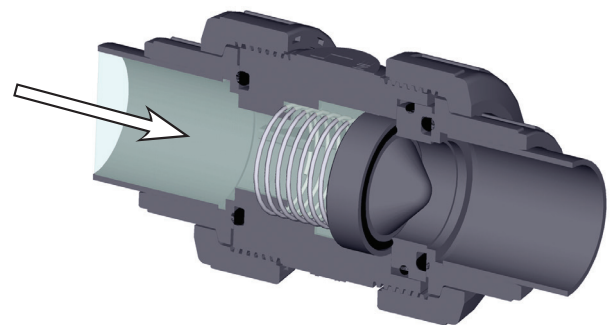
$$Cv = Kv_{100} / 14,28$$

$$Kv_{100} \text{ (l/min, } \Delta p = 1 \text{ bar)}$$

$$Cv \text{ (GPM, } \Delta p = 1 \text{ psi)}$$

Relative flow in fully open valve (maximum opening)

Flujo relativo en válvula completamente abierta (apertura máxima)

Open
Abierto

Closed
Cerrado

OPENING PRESSURE
PRESIÓN DE APERTURA

 Minimum pressure: opening start
 Maximum pressure: fully open valve

 Presión mínima: inicio apertura
 Presión máxima: válvula completamente abierta

D	P (bar) Minimum opening	P (bar) Maximum opening	P (psi) Minimum opening	P (psi) Maximum opening
20	0,11	0,19	1,57	2,71
25	0,035	0,067	0,5	0,95
32	0,042	0,077	0,6	1,1
40	0,038	0,069	0,54	0,98
50	0,063	0,088	0,9	1,25
63	0,038	0,060	0,54	0,85
75	0,031	0,060	0,44	0,85
90	0,025	0,060	0,35	0,85

ASSEMBLY INSTRUCTIONS

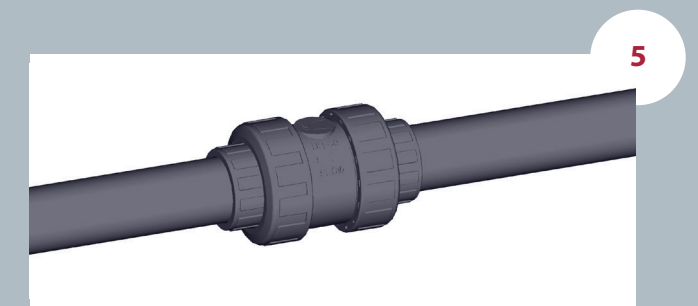
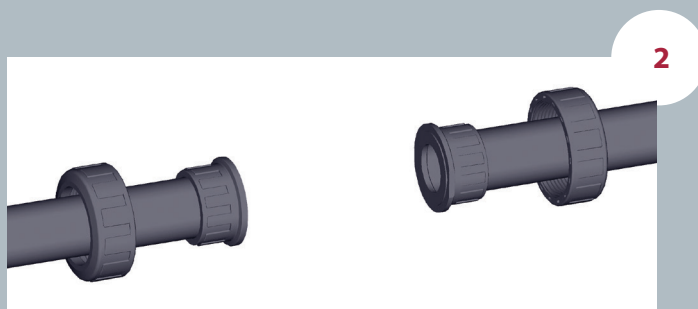
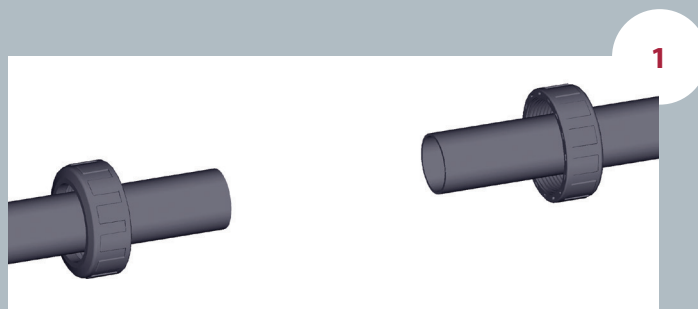
Solvent socket or threaded unions

Loosen the valve union nuts (4) and separate these and the end connectors (5) from the valve body. Pass the pipe through the nuts and then place the bushes over the end of the pipe. The socket unions should be glued onto the pipe using a PVC-U or PVC-C adhesive and pressure should not be applied to the system until a drying period of at least 1 hour per bar of working pressure has elapsed. In the case of threaded unions, PTFE tape should be applied to the male threads. The pipes can now be attached to the valve by hand tightening down the nuts.

INSTRUCCIONES DE MONTAJE

Uniones encoladas o roscadas

Afloje las tuercas (4) de la válvula y sepárelas de los manguitos (5). Introduzca las tuercas en los tubos y a continuación fije los manguitos en los extremos del tubo. Las uniones encoladas se realizarán con un adhesivo para tubos de PVC-U o PVC-C rígido y no se aplicará presión hasta transcurridas al menos 1 hora por bar. En las uniones roscadas se colocará cinta de PTFE en las roscas macho. A continuación ya podrá colocarse la válvula entre los manguitos y apretar a mano las tuercas sobre la válvula.



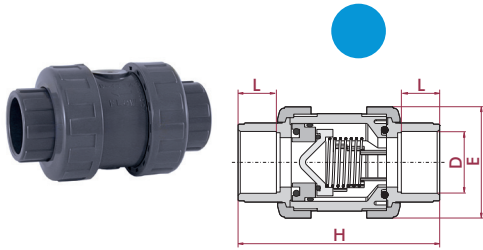
UP-S. 67. SF1 - SPRING CHECK VALVE

Spring check valve

- PVC-U body
- Female solvent socket
- Metric series
- O-Rings in EPDM

Válvula anti-retorno

- Cuerpo en PVC-U
- Encolar hembra
- Serie métrica
- Anillos tóricos en EPDM



D	DN	PN	REF.	CODE
16	10	16	05 67 016	09010
20	15	16	05 67 020	09011
25	20	16	05 67 025	09012
32	25	16	05 67 032	09013
40	32	16	05 67 040	09014
50	40	16	05 67 050	09015
63	50	16	05 67 063	09016
75	65	10	05 67 075	09017
90	80	10	05 67 090	09018
110	80	10	05 67 110	09019
110	100	10	05 67 111	37076

L	H	E
14	84	52
16	84	52
19	108	62
22	119	70
26	142	84
31	162	94
38	192	117
44	232	148
51	269	179
61	279	179
61	279	179

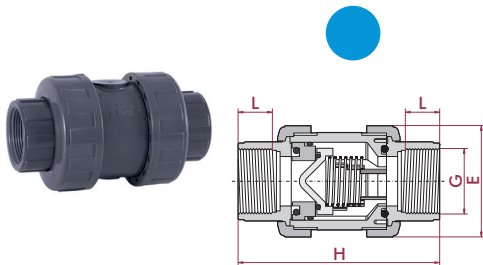
UP-S. 67. FT1 - SPRING CHECK VALVE

Spring check valve

- PVC-U body
- BSP female thread
- O-Rings in EPDM

Válvula anti-retorno

- Cuerpo en PVC-U
- Roscar hembra BSP
- Anillos tóricos en EPDM



G	DN	PN	REF.	CODE
3/8"	10	16	05 67 616	09020
1/2"	15	16	05 67 620	09021
3/4"	20	16	05 67 625	09022
1"	25	16	05 67 632	09023
1 1/4"	32	16	05 67 640	09024
1 1/2"	40	16	05 67 650	09025
2"	50	16	05 67 663	09026
2 1/2"	65	10	05 67 675	09027
3"	80	10	05 67 690	09028
4"	80	10	05 67 710	09029
4"	100	10	05 67 711	37077

L	H	E
14	84	52
16	84	52
19	108	62
22	119	70
26	142	84
31	162	94
38	192	117
44	232	148
51	269	179
61	279	179
61	279	179

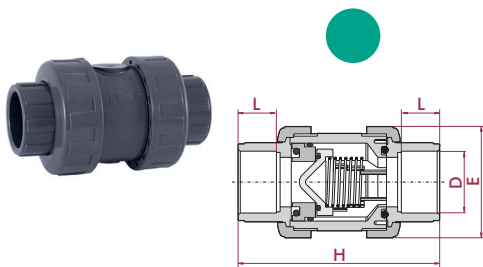
UP-S. 67. SF4 - SPRING CHECK VALVE

Spring check valve

- PVC-U body
- Female solvent socket
- Metric series
- O-Rings in FPM

Válvula anti-retorno

- Cuerpo en PVC-U
- Encolar hembra
- Serie métrica
- Anillos tóricos en FPM



D	DN	PN	REF.	CODE
16	10	16	05 67 016 VI	18751
20	15	16	05 67 020 VI	18752
25	20	16	05 67 025 VI	18753
32	25	16	05 67 032 VI	18754
40	32	16	05 67 040 VI	18755
50	40	16	05 67 050 VI	18756
63	50	16	05 67 063 VI	18757
75	65	10	05 67 075 VI	18758
90	80	10	05 67 090 VI	18759
110	80	10	05 67 110 VI	18760
110	100	10	05 67 111 VI	62039

L	H	E
14	84	52
16	84	52
19	108	62
22	119	70
26	142	84
31	162	94
38	192	117
44	232	148
51	269	179
61	279	179
61	279	179

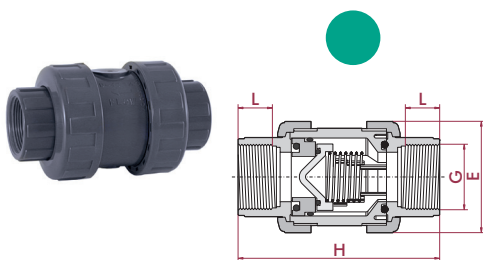
UP-S. 67. FT4 - SPRING CHECK VALVE

Spring check valve

- PVC-U body
- BSP female thread
- O-Rings in FPM

Válvula anti-retorno

- Cuerpo en PVC-U
- Roscar hembra BSP
- Anillos tóricos en FPM



G	DN	PN	REF.	CODE
3/8"	10	16	05 67 616 VI	18761
1/2"	15	16	05 67 620 VI	18762
3/4"	20	16	05 67 625 VI	18763
1"	25	16	05 67 632 VI	18764
1 1/4"	32	16	05 67 640 VI	18765
1 1/2"	40	16	05 67 650 VI	18766
2"	50	16	05 67 663 VI	18767
2 1/2"	65	10	05 67 675 VI	18768
3"	80	10	05 67 690 VI	18769
4"	80	10	05 67 710 VI	18770
4"	100	10	05 67 711 VI	62040

L	H	E
14	84	52
16	84	52
19	108	62
22	119	70
26	142	84
31	162	94
38	192	117
44	232	148
51	269	179
61	279	179
61	279	179

PVC-U FOOT VALVES - SPRING SERIES

VÁLVULAS DE PIE PVC-U - SERIE MUELLE



Sizes	Solvent cement D16 - D110 (DN10 - DN100) Threaded 3/8" - 4"	
Standards	Solvent socket - Metric, British standard, ASTM, JIS Threaded - BSP, NPT	EN ISO 1452, EN ISO 15493, BS 4346-1, ASTM D 2467, JIS K 6743 ISO 228-1, ASTM D 2464
Working pressure	@ 20°C (73°F) D16-D63 (3/8" - 2"): PN 16 (240 psi) D75 - D110 (2 1/2" - 4"): PN 10 (150 psi)	
Minimum working pressure		
Materials	O-rings: EPDM / FPM	
Characteristics	<ul style="list-style-type: none"> • May be used either vertically and horizontally. • 100% factory tested. • Easy installation and maintenance. • Available in PVC-U. • Resistance to many inorganic chemicals. • Excellent flow characteristics. 	<ul style="list-style-type: none"> • Se pueden usar indistintamente verticalmente o horizontalmente. • Probadas al 100% en fábrica. • Fácil instalación y mantenimiento. • Disponibles en PVC-U. • Resistencia a múltiples sustancias químicas inorgánicas. • Excelentes características de conducción.
Certifications / regulations	Check valve design regulation - ISO 16137:2006	

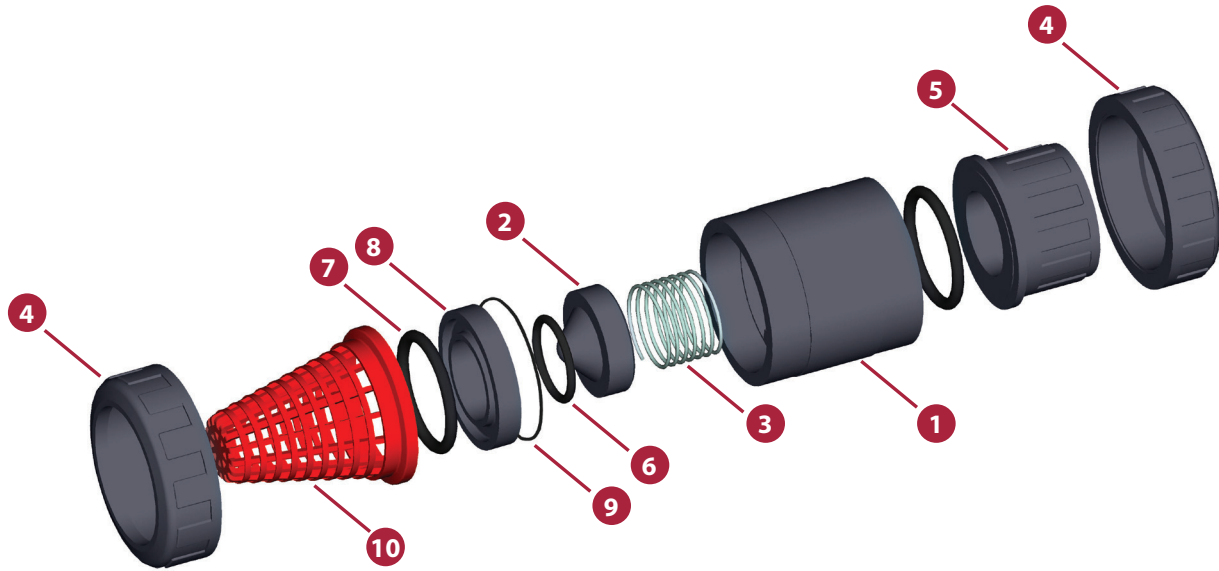
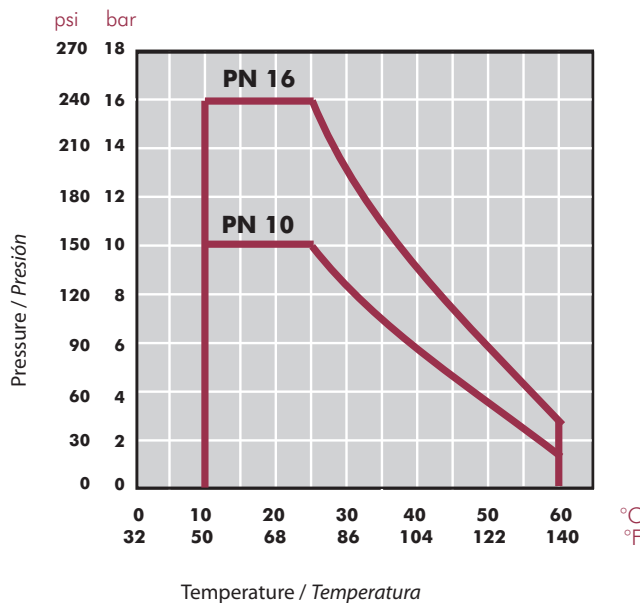


FIG.	Parts	Despiece	Material
1	Body	Cuerpo	PVC-U / PVC-C
2	Cone	Cono de cierre	PVC-U / PVC-C
3	Spring	Muelle	Staniless Steel AISI 302
4	Union nut	Tuerca	PVC-U / PVC-C
5	End connector	Manguito enlace	PVC-U / PVC-C
6	Cone o-ring	Junta cono	EPDM / FPM
7	End connector o-ring	Junta manguito	EPDM / FPM
8	Seal-carrier	Portajuntas	PVC-U / PVC-C
9	Body o-ring	Junta cuerpo	EPDM / FPM
10	Foot valve screen	Rejilla	PP

PRESSURE / TEMPERATURE GRAPH
DIAGRAMA PRESIÓN / TEMPERATURA



Life: 25 years
 Hydrostatic maximum pressure a component may withstand in continuous service (without overpressure)

Vida útil: 25 años
 Presión hidrostática máxima que un componente es capaz de soportar en servicio continuo (sin sobrepresión)

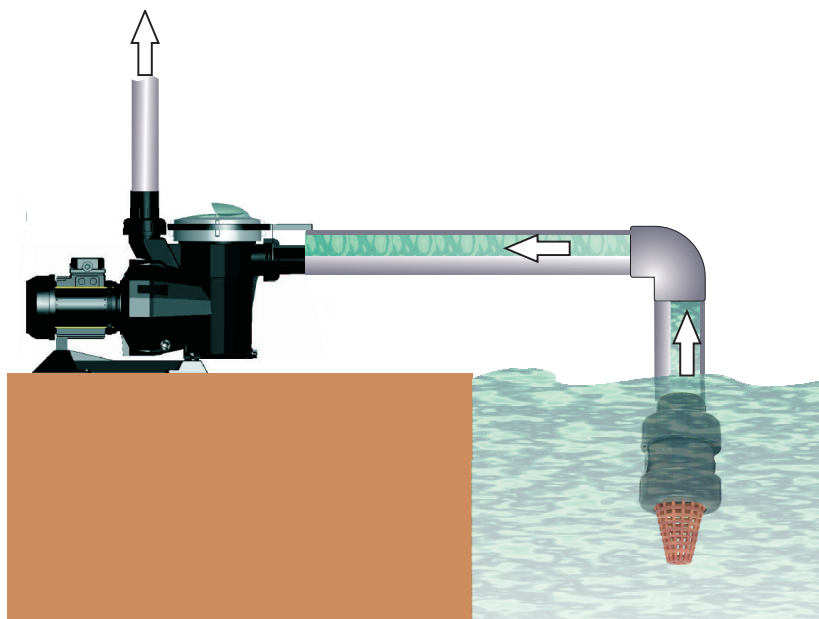
PRESSURE LOSS DIAGRAM

DIAGRAMA DE PÉRDIDAS DE CARGA

D16 - 3/8"		D20 - 1/2"		D25 - 3/4"		D32 - 1"		D40 - 1 1/4"		D50 - 1 1/2"		D63 - 2"		D75 - 2 1/2"		D90 - 3"		D110 - 4"	
A	B	A	B	A	B	A	B	A	B	A	B	A	B	A	B	A	B	A	B
0,42	0,34	0,44	0,34	0,54	0,17	0,35	0,13	3,15	0,13	25,85	0,38	39,80	0,70	50,00	0,40	83,50	0,45	77,2	0,46
0,85	0,52	0,92	0,58	1,06	0,22	1,13	0,18	5,20	0,12	20,70	0,27	34,50	0,48	44,20	0,29	74,80	0,39	67,5	0,36
1,35	0,58	1,60	0,19	1,65	0,15	1,62	0,15	7,35	0,16	17,50	0,19	27,50	0,28	36,50	0,23	64,90	0,31	60,1	0,30
2,08	0,28	2,05	0,18	2,18	0,18	2,02	0,14	9,38	0,21	12,30	0,11	21,15	0,17	30,90	0,20	50,38	0,21	49,6	0,22
2,44	0,34	2,48	0,22	3,21	0,29	2,59	0,14	12,17	0,31	8,86	0,09	12,65	0,09	25,50	0,15	43,08	0,18	41,1	0,18
2,80	0,60	3,10	0,30	3,91	0,38	3,07	0,15	15,05	0,43	3,22	0,09	6,25	0,08	20,35	0,12	35,22	0,14	31,5	0,14
-	-	3,53	0,35	4,32	0,44	3,51	0,16	-	-	-	-	-	-	12,30	0,11	28,75	0,11	24,6	0,13
-	-	-	-	-	-	4,20	0,20	-	-	-	-	-	-	6,27	0,11	18,02	0,08	15,8	0,01
-	-	-	-	-	-	-	-	-	-	-	-	-	-	-	-	8,28	0,11	7,9	0,08
-	-	-	-	-	-	-	-	-	-	-	-	-	-	-	-	-	-	-	-

A = Flow (m³/h)
Caudal (m³/h)

B = Pressure loss (bar)
Pérdida de carga (bar)



OPENING PRESSURE

PRESIÓN DE APERTURA

Minimum pressure: opening start
Maximum pressure: fully open valve

Presión mínima: inicio apertura
Presión máxima: válvula completamente abierta

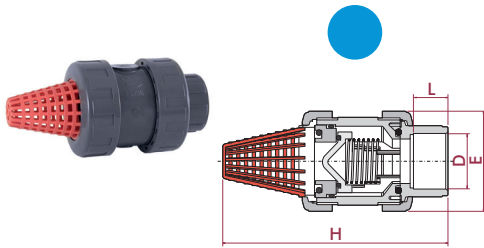
D	P (bar) Minimum opening	P (bar) Maximum opening	P (PSI) Minimum opening	P (PSI) Maximum opening
20	0,11	0,19	1,57	2,71
25	0,035	0,067	0,5	0,95
32	0,042	0,077	0,6	1,1
40	0,038	0,069	0,54	0,98
50	0,063	0,088	0,9	1,25
63	0,038	0,060	0,54	0,85
75	0,031	0,060	0,44	0,85
90	0,025	0,060	0,35	0,85

UP-S. 66. SF1 - SPRING FOOT CHECK VALVE
Foot valve

- PVC-U body
- Female solvent socket
- Metric series
- O-Rings in EPDM

Válvula de pie

- Cuerpo en PVC-U
- Encolar hembra
- Serie métrica
- Anillos tóricos en EPDM



D	DN	PN	REF.	CODE
16	10	16	05 66 016	08990
20	15	16	05 66 020	08991
25	20	16	05 66 025	08992
32	25	16	05 66 032	08993
40	32	16	05 66 040	08994
50	40	16	05 66 050	08995
63	50	16	05 66 063	08996
75	65	10	05 66 075	08997
90	80	10	05 66 090	08998
110	80	10	05 66 110	08999

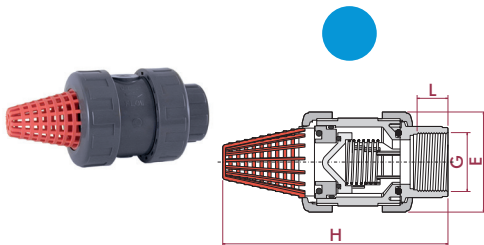
L	H	E
14	107	52
16	107	52
19	130	62
22	154	70
26	176	84
31	202	94
38	239	117
44	306	148
51	362	179
61	367	179

UP-S. 66. FT1 - SPRING FOOT CHECK VALVE
Foot valve

- PVC-U body
- BSP female thread
- O-Rings in EPDM

Válvula de pie

- Cuerpo en PVC-U
- Roscar hembra BSP
- Anillos tóricos en EPDM



G	DN	PN	REF.	CODE.
3/8"	10	16	05 66 616	09000
1/2"	15	16	05 66 620	09001
3/4"	20	16	05 66 625	09002
1"	25	16	05 66 632	09003
1 1/4"	32	16	05 66 640	09004
1 1/2"	40	16	05 66 650	09005
2"	50	16	05 66 663	09006
2 1/2"	65	10	05 66 675	09007
3"	80	10	05 66 690	09008
4"	80	10	05 66 710	09009

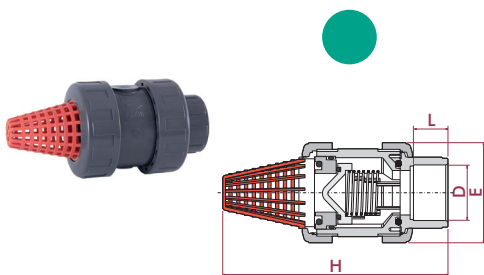
L	H	E
14	107	52
16	107	52
19	130	62
22	154	70
26	176	84
31	202	94
38	239	117
44	306	148
51	362	179
61	367	179

UP-S. 66. SF4 - SPRING FOOT CHECK VALVE
Foot valve

- PVC-U body
- Female solvent socket
- Metric series
- O-Rings in FPM

Válvula de pie

- Cuerpo en PVC-U
- Encolar hembra
- Serie métrica
- Anillos tóricos en FPM



D	DN	PN	REF.	CODE
16	10	16	05 66 016 VI	18731
20	15	16	05 66 020 VI	18732
25	20	16	05 66 025 VI	18733
32	25	16	05 66 032 VI	18734
40	32	16	05 66 040 VI	18735
50	40	16	05 66 050 VI	18736
63	50	16	05 66 063 VI	18737
75	65	10	05 66 075 VI	18738
90	80	10	05 66 090 VI	18739
110	80	10	05 66 110 VI	18740

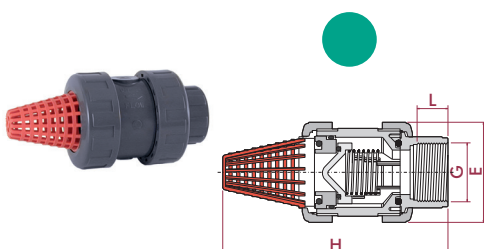
L	H	E
14	107	52
16	107	52
19	130	62
22	154	70
26	176	84
31	202	94
38	239	117
44	306	148
51	362	179
61	367	179

UP-S. 66. FT4 - SPRING FOOT CHECK VALVE
Foot valve

- PVC-U body
- BSP female thread
- O-Rings in FPM

Válvula de pie

- Cuerpo en PVC-U
- Roscar hembra BSP
- Anillos tóricos en FPM



G	DN	PN	REF.	CODE
3/8"	10	16	05 66 616 VI	18741
1/2"	15	16	05 66 620 VI	18742
3/4"	20	16	05 66 625 VI	18743
1"	25	16	05 66 632 VI	18744
1 1/4"	32	16	05 66 640 VI	18745
1 1/2"	40	16	05 66 650 VI	18746
2"	50	16	05 66 663 VI	18747
2 1/2"	65	10	05 66 675 VI	18748
3"	80	10	05 66 690 VI	18749
4"	80	10	05 66 710 VI	18750

L	H	E
14	107	52
16	107	52
19	130	62
22	154	70
26	176	84
31	202	94
38	239	117
44	306	148
51	362	179
61	367	179

PVC-U CHECK VALVES - UNIBLOCK SERIES

VÁLVULAS ANTI-RETORNO PVC-U - SERIE UNIBLOCK



Sizes	Solvent cement D20 - D110 (DN15 - DN100) Threaded ½" - 4"	
Standards	Solvent socket - Metric Threaded - BSP	EN ISO 1452, EN ISO 15493 ISO 228-1
Working pressure	@ 20°C (73°F) D20-D63 (½" - 2"): PN 16 (240 psi) D75 - D110 (2½" - 4"): PN 10 (150 psi)	
Minimum working pressure		
Materials	O-rings: EPDM	
Characteristics	<ul style="list-style-type: none"> • May be used either vertically and horizontally. • 100% factory tested. • Easy installation and maintenance. • Available in PVC-U. • Resistance to many inorganic chemicals. • Excellent flow characteristics. 	<ul style="list-style-type: none"> • Se pueden usar indistintamente verticalmente o horizontalmente. • Probadas al 100% en fábrica. • Fácil instalación y mantenimiento. • Disponibles en PVC-U. • Resistencia a múltiples sustancias químicas inorgánicas. • Excelentes características de conducción.
Certifications / regulations	Check valve design regulation - ISO 16137:2006	

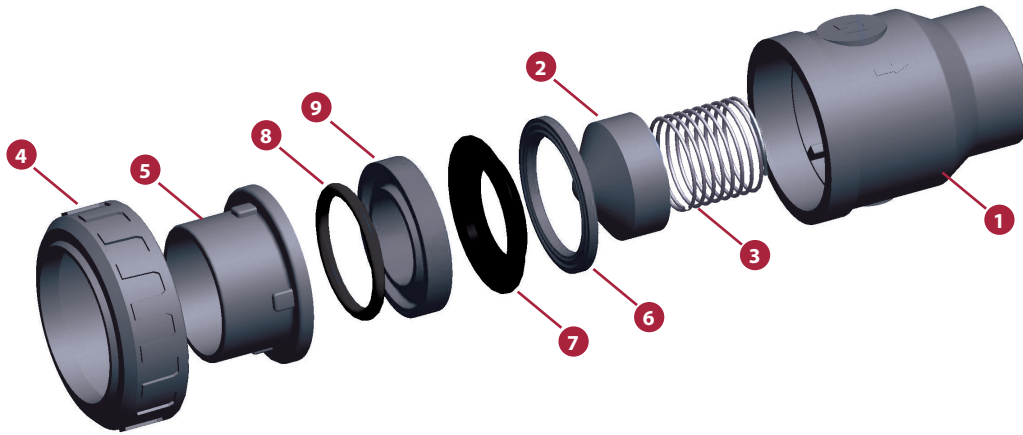
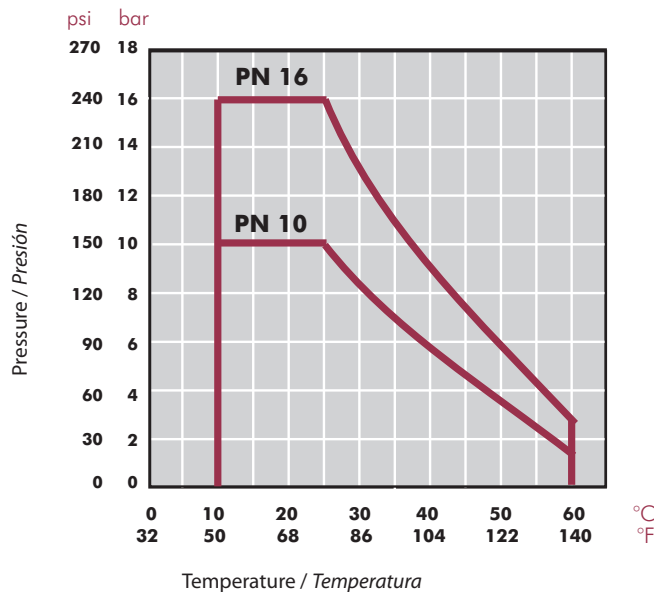


FIG.	Parts	Despiece	Material
1	Body	Cuerpo	PVC-U
2	Cone	Cono de cierre	PVC-U
3	Spring	Muelle	Stainless steel AISI 302
4	Union nut	Tuerca	PVC-U
5	End connector	Manguito enlace	PVC-U
6	Cone o-ring	Junta cono	EPDM
7	Body o-ring	Junta cuerpo	EPDM
8	End connector o-ring	Junta manguito	EPDM
9	Seal-carrier	Portajuntas	PVC-U

PRESSURE / TEMPERATURE GRAPH
DIAGRAMA PRESIÓN / TEMPERATURA

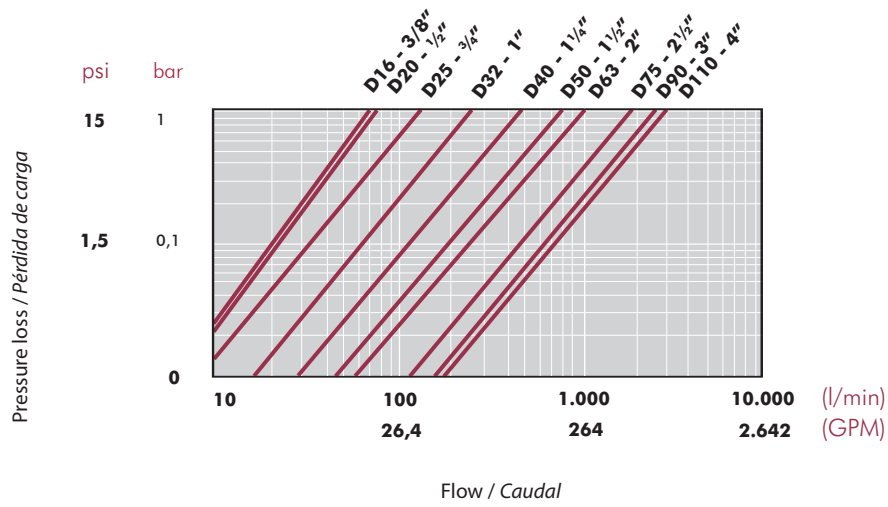


Life: 25 years
 Hydrostatic maximum pressure a component may withstand in continuous service (without overpressure)

Vida útil: 25 años
 Presión hidrostática máxima que un componente es capaz de soportar en servicio continuo (sin sobrepresión)

PRESSURE LOSS DIAGRAM

DIAGRAMA DE PÉRDIDAS DE CARGA



RELATIVE FLOW

FLUJO RELATIVO

D	20-1/2"	25-3/4"	32-1"	40-1 1/4"	50-1 1/2"	63-2"	75-2 1/2"	90-3"	110-4"
DN	15	20	25	32	40	50	65	80	100
Kv ₁₀₀	68	133	208	383	667	850	1533	1160	1200
Cv	5	9	15	27	47	60	107	81,2	84

$Cv = Kv_{100} / 14,28$
 Kv_{100} (l/min, $\Delta p = 1$ bar)
 Cv (GPM, $\Delta p = 1$ psi)

Relative flow in fully open valve (maximum opening)
 Flujo relativo en válvula completamente abierta (apertura máxima)

OPENING PRESSURE

PRESIÓN DE APERTURA

Minimum pressure: opening start
 Maximum pressure: fully open valve

Presión mínima: inicio apertura
 Presión máxima: válvula completamente abierta

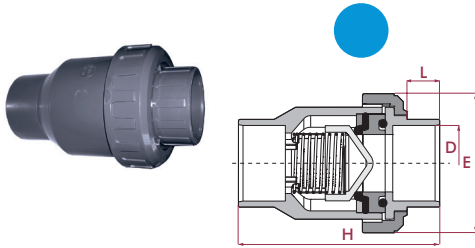
D	P (bar) Minimum opening	P (bar) Maximum opening	P (psi) Minimum opening	P (psi) Maximum opening
20	0,11	0,19	1,57	2,71
25	0,035	0,067	0,5	0,95
32	0,042	0,077	0,6	1,1
40	0,038	0,069	0,54	0,98
50	0,063	0,088	0,9	1,25
63	0,038	0,060	0,54	0,85
75	0,031	0,060	0,44	0,85
90	0,025	0,060	0,35	0,85

UP-B. 67. SF1 - UNIBLOCK CHECK VALVE
Uniblock check valve

- PVC-U body
- Female solvent socket
- Metric series
- O-rings in EPDM

Válvula anti-retorno Uniblock

- Cuerpo en PVC-U
- Encolar hembra
- Serie métrica
- Anillos tóricos en EPDM



D	DN	PN	REF.	CODE
20	15	16	05 93 020	36559
25	20	16	05 93 025	36560
32	25	16	05 93 032	36561
40	32	16	05 93 040	36562
50	40	16	05 93 050	36563
63	50	16	05 93 063	36564
75	65	10	05 93 075	36565
90	80	10	05 93 090	36566
110	80	10	05 93 111	36567

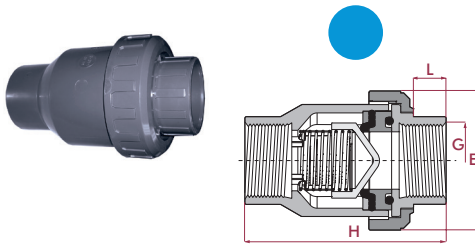
L	H	E
16	81	52
19	103	60
22	117	69
26	135	84
31	135	94
38	169	116
44	220	128
51	256	178
63	331	228

UP-B. 67. FT1 - UNIBLOCK CHECK VALVE
Uniblock check valve

- PVC-U body
- BSP female thread
- O-Rings in EPDM

Válvula anti-retorno Uniblock

- Cuerpo en PVC-U
- Roscar hembra BSP
- Anillos tóricos en EPDM



G	DN	PN	REF.	CODE
½"	15	16	05 93 620	36568
¾"	20	16	05 93 625	36569
1"	25	16	05 93 632	36570
1¼"	32	16	05 93 640	36571
1½"	40	16	05 93 650	36572
2"	50	16	05 93 663	36573
2½"	65	10	05 93 675	36574
3"	80	10	05 93 690	36575
4"	80	10	05 93 711	36576

L	H	E
16	85	52
19	103	60
19	117	69
23	135	84
31	135	94
34	169	116
44	220	128
51	256	178
63	331	228

PVC-U CHECK VALVES - BALL SERIES

VÁLVULAS ANTI-RETORNO PVC-U - SERIE BOLA



Sizes	Solvent cement D20 - D110 (DN15 - DN100) Threaded 1/2" - 4"	
Standards	Solvent socket - Metric, British standard, ASTM, JIS Threaded - BSP, NPT	EN ISO 1452, EN ISO 15493, BS 4346-1, ASTM D 2467, JIS K 6743 ISO 228-1, ASTM D 2464
Working pressure	@ 20°C (73°F) D20-D63 (1/2" - 2"): PN 16 (240 psi) D75 - D110 (2 1/2" - 4"): PN 10 (150 psi)	
Minimum return pressure	0,2 bar (3 psi) Minimal downstream pressure to keep the valve closed in horizontal position. Presión mínima aguas abajo para mantener la válvula cerrada en caso de instalación horizontal.	
Materials	O-rings: EPDM / FPM	
Characteristics	<ul style="list-style-type: none"> • Completely made in plastic - corrosion free. • 100% factory tested. • Excellent flow rate. • Easy installation and maintenance. • May be used either vertically and horizontally. • Available in PVC-U and Corzan® PVC-C. • Resistance to many inorganic chemicals. • Excellent flow characteristics. 	<ul style="list-style-type: none"> • Fabricada completamente en plástico - libre de corrosión. • Probadas al 100% en fábrica. • Excelente coeficiente de caudal. • Fácil instalación y mantenimiento. • Se pueden usar indistintamente verticalmente o horizontalmente. • Disponibles en PVC-U y Corzan® PVC-C. • Resistencia a múltiples sustancias químicas inorgánicas. • Excelentes características de conducción.
Certifications / regulations	Check valve design regulation - ISO 16137:2006	

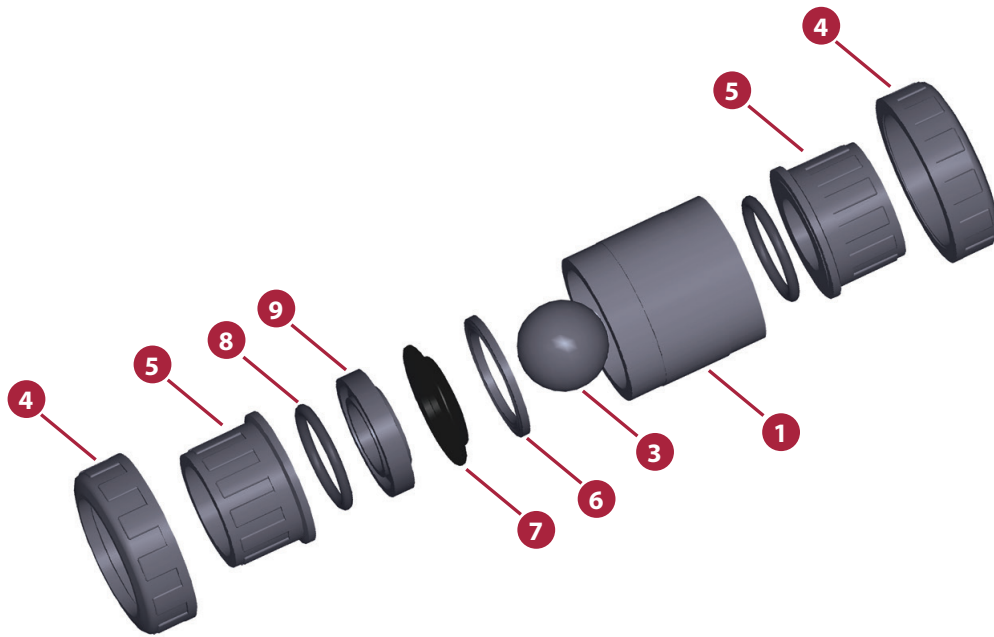
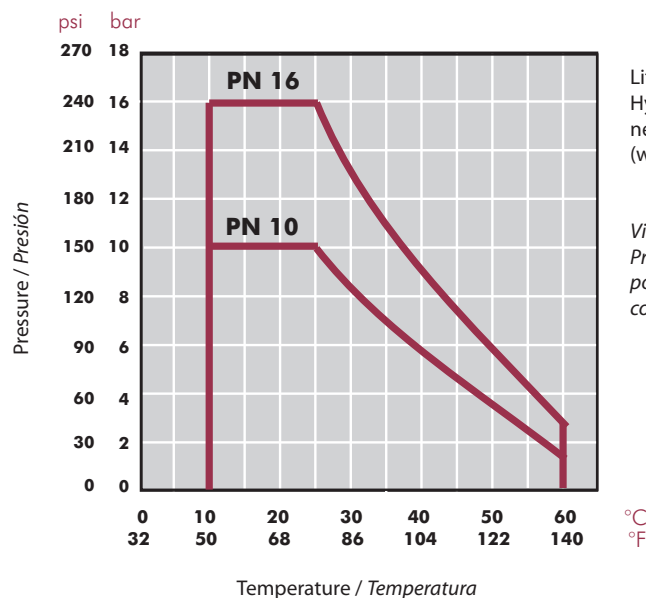


FIG.	Parts	Despiece	Material
1	Body	Cuerpo	PVC-U
3	Ball	Bola	PVC-U
4	Union nut	Tuerca	PVC-U
5	End connector	Manguito enlace	PVC-U
6	Closing ring	Anillo de cierre	PVC-U
7	Body o-ring	Junta cuerpo	EPDM / FPM
8	End connector o-ring	Junta manguito	EPDM / FPM
9	Seal-carrier	Portajuntas	PVC-U

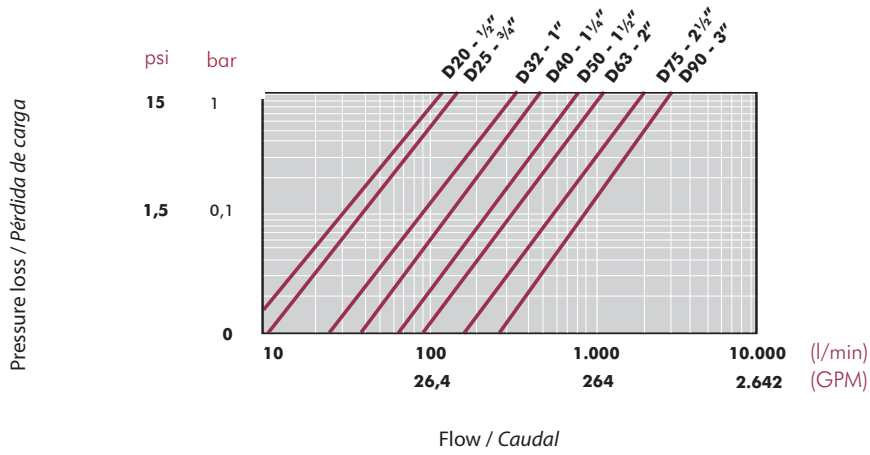
PRESSURE / TEMPERATURE GRAPH
DIAGRAMA PRESIÓN / TEMPERATURA



Life: 25 years
 Hydrostatic maximum pressure a component may withstand in continuous service (without overpressure)

Vida útil: 25 años
 Presión hidrostática máxima que un componente es capaz de soportar en servicio continuo (sin sobrepresión)

PRESSURE LOSS DIAGRAM
DIAGRAMA DE PÉRDIDAS DE CARGA



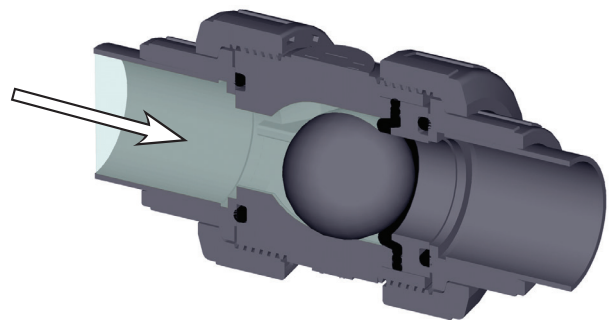
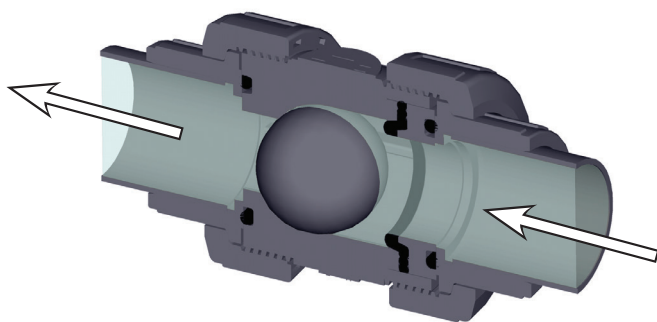
RELATIVE FLOW
FLUJO RELATIVO

D	20-1/2"	25-3/4"	32-1"	40-1 1/4"	50-1 1/2"	63-2"	75-2 1/2"	90-3"
DN	15	20	25	32	40	50	65	80
Kv ₁₀₀	99	128	308	453	795	1040	1932	2754
Cv	7	9	22	32	56	73	135	193

$Cv = Kv_{100} / 14,28$
Kv₁₀₀ (l/min, Δp = 1 bar)
Cv (GPM, Δp = 1 psi)

Open
Abierto

Closed
Cerrado



ASSEMBLY INSTRUCTIONS

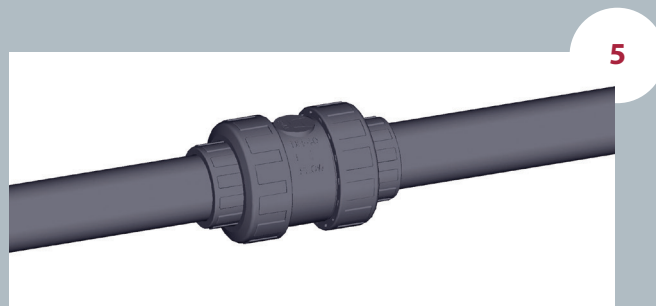
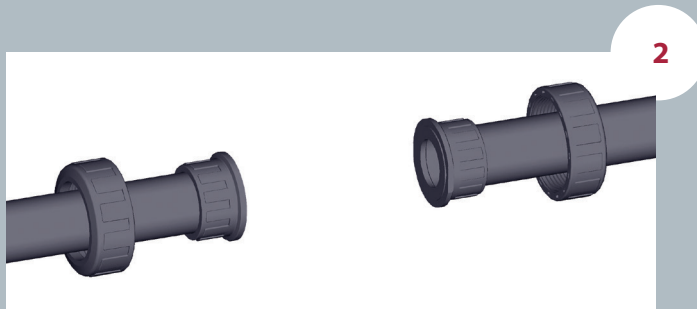
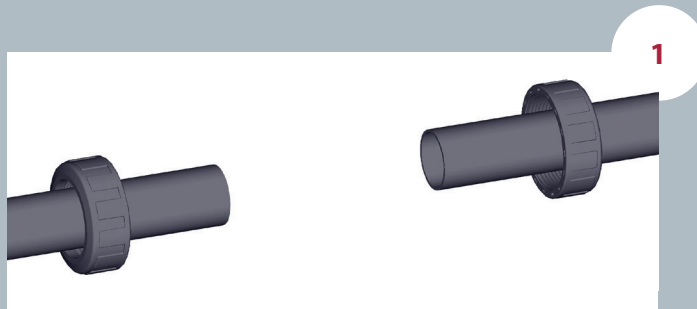
Solvent socket or threaded unions

Loosen the valve union nuts (4) and separate these and the end connectors (5) from the valve body. Pass the pipe through the nuts and then place the bushes over the end of the pipe. The socket unions should be glued onto the pipe using a PVC-U or PVC-C adhesive and pressure should not be applied to the system until a drying period of at least 1 hour per bar of working pressure has elapsed. In the case of threaded unions, PTFE tape should be applied to the male threads. The pipes can now be attached to the valve by hand tightening down the nuts.

INSTRUCCIONES DE MONTAJE

Uniones encoladas o roscadas

Afloje las tuercas (4) de la válvula y sepárelas de los manguitos (5). Introduzca las tuercas en los tubos y a continuación fije los manguitos en los extremos del tubo. Las uniones encoladas se realizarán con un adhesivo para tubos de PVC-U o PVC-C rígido y no se aplicará presión hasta transcurridas al menos 1 hora por bar. En las uniones roscadas se colocará cinta de PTFE en las roscas macho. A continuación ya podrá colocarse la válvula entre los manguitos y apretar a mano las tuercas sobre la válvula.



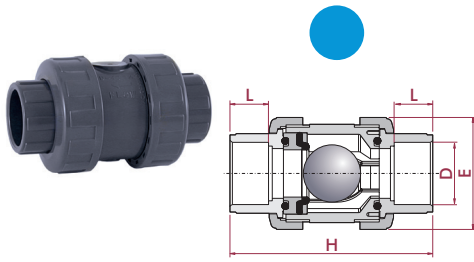
UP-B. 67. SF1 - BALL CHECK VALVE

Ball check valve

- PVC-U body
- Female solvent socket
- Metric series
- O-rings in EPDM

Válvula anti-retorno de bola

- Cuerpo en PVC-U
- Encolar hembra
- Serie métrica
- Anillos tóricos en EPDM



D	DN	PN	REF.	CODE
20	15	16	05 67 220	22078
25	20	16	05 67 225	22079
32	25	16	05 67 232	22080
40	32	16	05 67 240	22174
50	40	16	05 67 250	25697
63	50	16	05 67 263	25698
75	65	10	05 67 275	22175
90	80	10	05 67 290	22176
110	80	10	05 67 310	22177

L	H	E
16	84	52
19	108	62
22	119	70
26	142	84
31	162	94
38	192	117
44	232	148
51	269	179
51	269	179

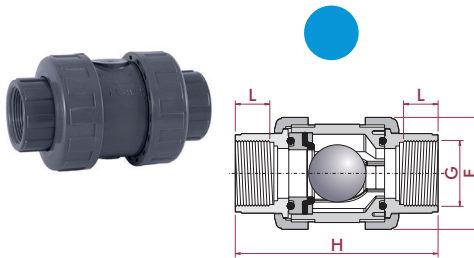
UP-B. 67. FT1 - BALL CHECK VALVE

Ball check valve

- PVC-U body
- BSP female thread
- O-Rings in EPDM

Válvula anti-retorno de bola

- Cuerpo en PVC-U
- Roscar hembra BSP
- Anillos tóricos en EPDM



G	DN	PN	REF.	CODE
½"	15	16	05 67 420	22061
¾"	20	16	05 67 425	22062
1"	25	16	05 67 432	22085
1¼"	32	16	05 67 440	22086
1½"	40	16	05 67 450	25699
2"	50	16	05 67 463	25700
2½"	65	10	05 67 475	22087
3"	80	10	05 67 490	22088
4"	80	10	05 67 510	22089

L	H	E
16	84	52
19	108	62
22	119	70
26	142	84
31	167	94
38	192	117
44	232	148
51	269	179
61	279	179

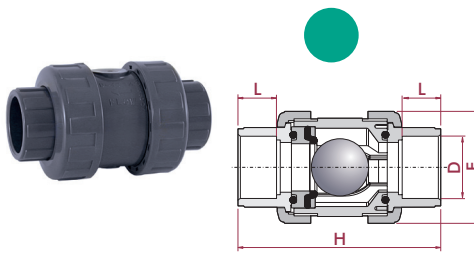
UP-B. 67. SF4 - BALL CHECK VALVE

Ball check valve

- PVC-U body
- Female solvent socket
- Metric series
- O-Rings in FPM

Válvula anti-retorno de bola

- Cuerpo en PVC-U
- Encolar hembra
- Serie métrica
- Anillos tóricos en FPM



D	DN	PN	REF.	CODE
20	15	16	05 67 220 VI	22090
25	20	16	05 67 225 VI	22091
32	25	16	05 67 232 VI	22092
40	32	16	05 67 240 VI	22239
50	40	16	05 67 250 VI	25701
63	50	16	05 67 263 VI	25702
75	65	10	05 67 275 VI	22240
90	80	10	05 67 290 VI	22241
110	80	10	05 67 310 VI	22242

L	H	E
16	84	52
19	108	62
22	119	70
26	142	84
31	162	94
38	192	117
44	232	148
51	269	179
51	269	179

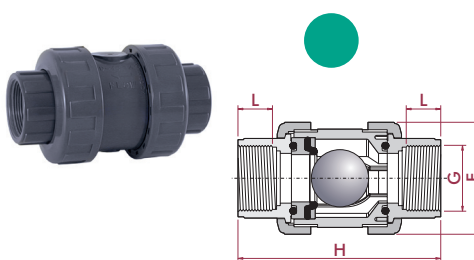
UP-B. 67. FT4 - BALL CHECK VALVE

Ball check valve

- PVC-U body
- BSP female thread
- O-Rings in FPM

Válvula anti-retorno de bola

- Cuerpo en PVC-U
- Roscar hembra BSP
- Anillos tóricos en FPM



G	DN	PN	REF.	CODE
½"	15	16	05 67 420 VI	22243
¾"	20	16	05 67 425 VI	22244
1"	25	16	05 67 432 VI	22267
1¼"	32	16	05 67 440 VI	22268
1½"	40	16	05 67 450 VI	25703
2"	50	16	05 67 463 VI	25704
2½"	65	10	05 67 475 VI	22269
3"	80	10	05 67 490 VI	22270
4"	80	10	05 67 510 VI	22893

L	H	E
16	84	52
19	108	62
22	119	70
26	142	84
31	167	94
38	192	117
44	232	148
51	269	179
61	279	179

PVC-U FOOT VALVES - BALL SERIES

VÁLVULAS DE PIE PVC-U - SERIE BOLA



Sizes	Solvent cement D20 - D110 (DN15 - DN100) Threaded ½" - 4"	
Standards	Solvent socket - Metric, British standard, ASTM, JIS Threaded - BSP, NPT	EN ISO 1452, EN ISO 15493, BS 4346-1, ASTM D 2467, JIS K 6743 ISO 228-1, ASTM D 2464
Working pressure	@ 20°C (73°F) D20-D63 (¾" - 2"): PN 16 (240 psi) D75 - D110 (2½" - 4"): PN 10 (150 psi)	
Minimum return pressure	0,2 bar (3 psi) Minimal downstream pressure to keep the valve closed in horizontal position. Presión mínima aguas abajo para mantener la válvula cerrada en caso de instalación horizontal.	
Materials	O-rings: EPDM / FPM	
Characteristics	<ul style="list-style-type: none"> • Completely made in plastic - corrosion free. • 100% factory tested. • Easy installation and maintenance. • May be used either vertically and horizontally. • Available in PVC-U. • Resistance to many inorganic chemicals. • Excellent flow characteristics. 	<ul style="list-style-type: none"> • Fabricada completamente en plástico - libre de corrosión • Probadas al 100% en fábrica. • Fácil instalación y mantenimiento. • Se pueden usar indistintamente verticalmente o horizontalmente. • Disponibles en PVC-U. • Resistencia a múltiples sustancias químicas inorgánicas. • Excelentes características de conducción.
Certifications / regulations	Check valve design regulation - ISO 16137:2006	

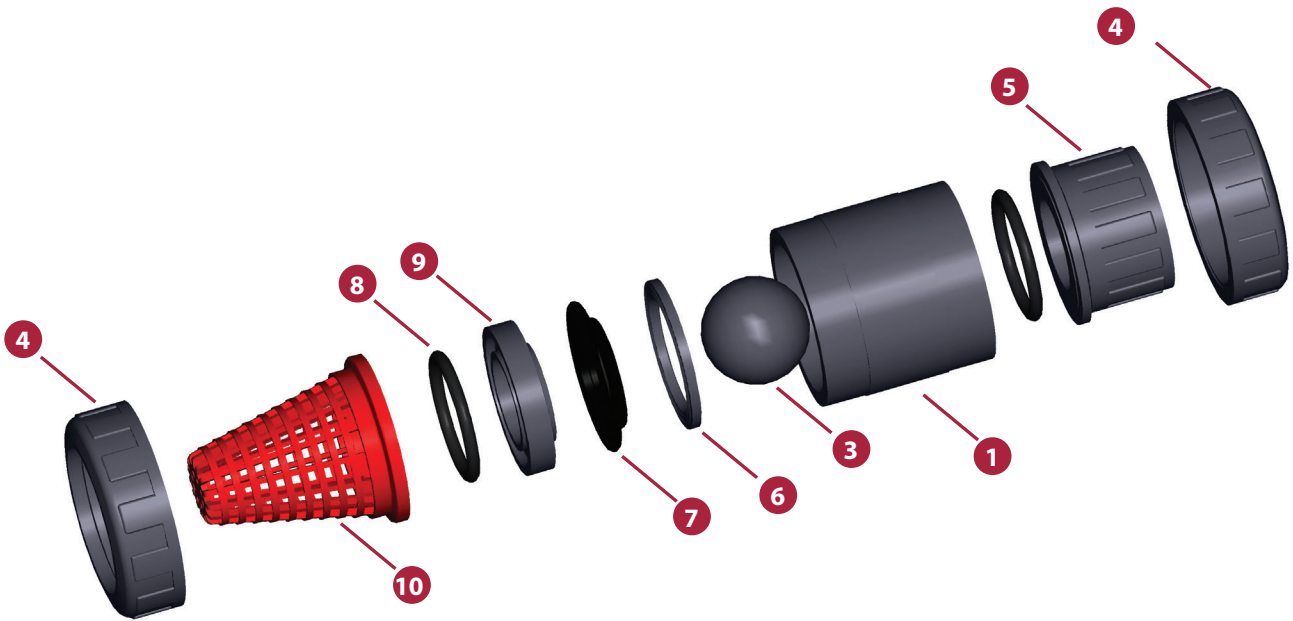
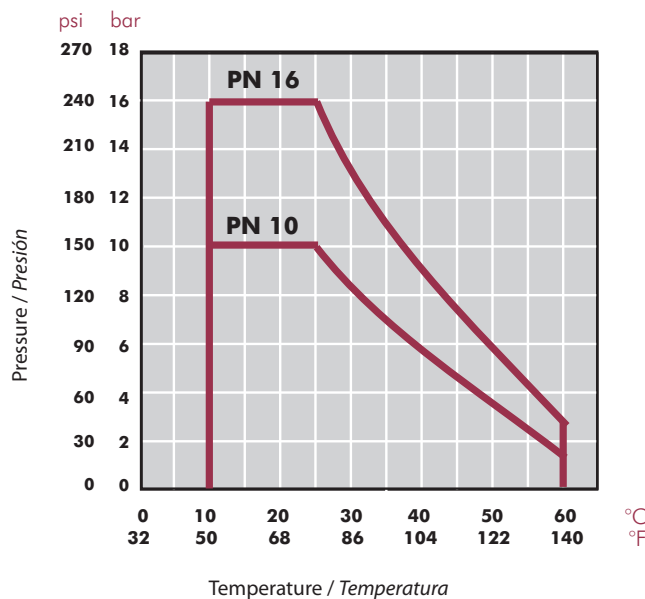


FIG.	Parts	Despiece	Material
1	Body	Cuerpo	PVC-U
3	Ball	Bola	PVC-U
4	Union nut	Tuerca	PVC-U
5	End connector	Manguito enlace	PVC-U
6	Closing ring	Anillo de cierre	PVC-U
7	Body o-ring	Junta cuerpo	EPDM / FPM
8	End connector o-ring	Junta manguito	EPDM / FPM
9	Seal-carrier	Portajuntas	PVC-U
10	Foot valve screen	Rejilla	PP

PRESSURE / TEMPERATURE GRAPH
DIAGRAMA PRESIÓN / TEMPERATURA



Life: 25 years
 Hydrostatic maximum pressure a component may withstand in continuous service (without overpressure)

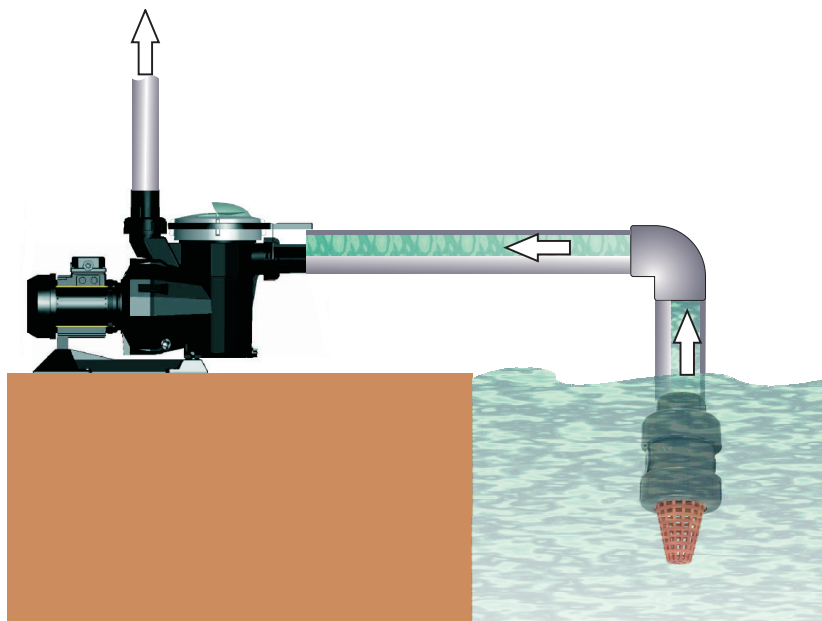
Vida útil: 25 años
 Presión hidrostática máxima que un componente es capaz de soportar en servicio continuo (sin sobrepresión)

PRESSURE LOSS DIAGRAM
DIAGRAMA DE PÉRDIDAS DE CARGA

D20 - 1/2"		D25 - 3/4"		D32 - 1"		D40 - 1 1/4"		D50 - 1 1/2"		D63 - 2"		D75 - 2 1/2"		D90 - 3"	
A	B	A	B	A	B	A	B	A	B	A	B	A	B	A	B
1,65	0,13	1,47	0,05	4,36	0,08	4,87	0,15	6,41	0,002	12,53	0,05	12,32	0,05	7,13	0,009
2,33	0,24	2,01	0,054	4,89	0,11	6,21	0,17	11,3	0,02	14,9	0,07	14,95	0,06	15,91	0,04
3,34	0,44	2,34	0,09	5,44	0,15	7,52	0,21	18,76	0,16	17,12	0,11	19,53	0,11	28,58	0,13
3,85	0,52	2,95	0,18	5,89	0,21	10,61	0,27	25,05	0,34	21,7	0,16	25	0,17	37,22	0,22
4,52	0,69	3,6	0,29	7,01	0,26	12,53	0,34	28,44	0,41	27,36	0,28	32,6	0,28	45,61	0,53
-	-	4,03	0,36	9,23	0,39	15,23	0,4	-	-	32,02	0,37	41,43	0,55	58,5	0,64
-	-	4,21	0,38	-	-	-	-	-	-	37,68	0,43	-	-	-	-

A = Flow (m³/h)
Caudal (m³/h)

B = Pressure loss (bar)
Pérdida de carga (bar)



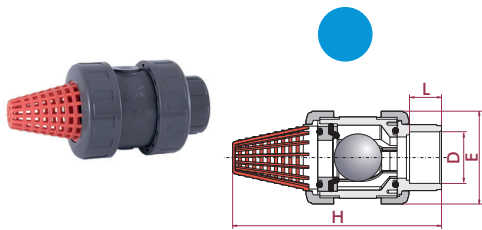
UP-B. 66. SF1 - BALL FOOT CHECK VALVES

Ball foot valve

- PVC-U body
- Female solvent socket
- Metric series
- O-Rings in EPDM

Válvula de pie de bola

- Cuerpo en PVC-U
- Encolar hembra
- Serie métrica
- Anillos tóricos en EPDM



D	DN	PN	REF.	CODE
20	15	16	05 66 220	27537
25	20	16	05 66 225	27538
32	25	16	05 66 232	27539
40	32	16	05 66 240	27540
50	40	16	05 66 250	25705
63	50	16	05 66 263	25706
75	65	10	05 66 275	27543
90	80	10	05 66 290	27544
110	80	10	05 66 310	27545

L	H	E
16	107	52
19	130	62
22	154	70
26	176	84
31	202	94
38	239	117
44	306	148
51	362	179
61	367	179

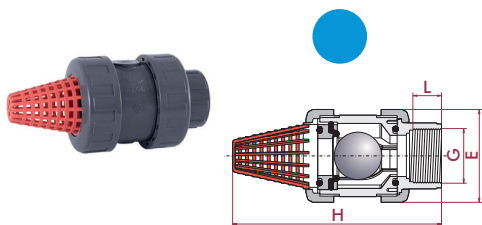
UP-B. 66. FT1 - BALL FOOT CHECK VALVES

Ball foot valve

- PVC-U body
- BSP female thread
- O-Rings in EPDM

Válvula de pie de bola

- Cuerpo en PVC-U
- Roscar hembra BSP
- Anillos tóricos en EPDM



G	DN	PN	REF.	CODE
½"	15	16	05 66 420	27546
¾"	20	16	05 66 425	27547
1"	25	16	05 66 432	27548
1¼"	32	16	05 66 440	27549
1½"	40	16	05 66 450	25707
2"	50	16	05 66 463	25708
2½"	65	10	05 66 475	27552
3"	80	10	05 66 490	27553
4"	80	10	05 66 510	27554

L	H	E
16	107	52
19	130	62
22	154	70
26	176	84
31	202	94
38	239	117
44	306	148
51	362	179
61	367	179

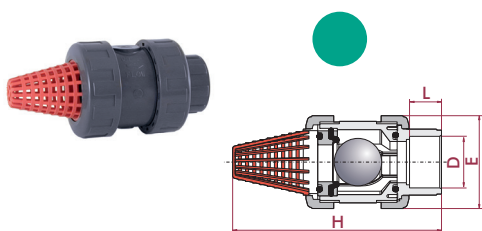
UP-B. 66. SF4 - BALL FOOT CHECK VALVES

Ball foot valve

- PVC-U body
- Female solvent socket
- Metric series
- O-Rings in FPM

Válvula de pie de bola

- Cuerpo en PVC-U
- Encolar hembra
- Serie métrica
- Anillos tóricos en FPM



D	DN	PN	REF.	CODE
20	15	16	05 66 220 VI	27555
25	20	16	05 66 225 VI	27556
32	25	16	05 66 232 VI	27557
40	32	16	05 66 240 VI	27558
50	40	16	05 66 250 VI	25709
63	50	16	05 66 263 VI	25710
75	65	10	05 66 275 VI	27561
90	80	10	05 66 290 VI	27562
110	80	10	05 66 310 VI	27563

L	H	E
16	107	52
19	130	62
22	154	70
26	176	84
31	202	94
38	239	117
44	306	148
51	362	179
61	367	179

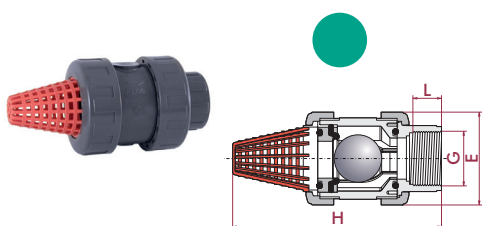
UP-B. 66. FT4 - BALL FOOT CHECK VALVES

Ball foot valve

- PVC-U body
- BSP female thread
- O-Rings in FPM

Válvula de pie de bola

- Cuerpo en PVC-U
- Roscar hembra BSP
- Anillos tóricos en FPM



G	DN	PN	REF.	CODE
½"	15	16	05 66 420 VI	27564
¾"	20	16	05 66 425 VI	27565
1"	25	16	05 66 432 VI	27566
1¼"	32	16	05 66 440 VI	27567
1½"	40	16	05 66 450 VI	25711
2"	50	16	05 66 463 VI	25712
2½"	65	10	05 66 475 VI	27570
3"	80	10	05 66 490 VI	27571
4"	80	10	05 66 510 VI	27572

L	H	E
16	107	52
19	130	62
22	154	70
26	176	84
31	202	94
38	239	117
44	306	148
51	362	179
61	367	179

PVC-U SWING CHECK VALVES

VÁLVULAS DE CLAPETA PVC-U



Sizes	Metric flanges D63 - D315 (DN50 - DN300) ASTM flanges 4" - 12"	
Standards	ISO/DIN ASTM - 4" - 12"	EN 558-1 ANSI B.16.5 cl. 150
Working pressure	@ 20°C (73°F) D63 - D315 (2" - 12"): PN 6 (90 psi)	
Minimum return pressure	0,1 - 0,3 bar Minimal downstream pressure to keep the valve closed, depending on installation conditions. Presión mínima aguas abajo para mantener la válvula cerrada, dependiendo de las condiciones de instalación.	
Materials	O-rings: EPDM / FPM	
Characteristics	<ul style="list-style-type: none"> • Requires little space in piping systems. • Easy installation: wafer body slips between standard flanges. No gaskets required. • Vertical and horizontal operation. • Excellent flow characteristics. <p>Do not install the valve at a distance lower than 5 x D of the pump out. Install with pipe DIN PN 10 (SCH40). In case of PN 16 (SCH80), the valve could be damaged.</p>	<ul style="list-style-type: none"> • Requiere poco espacio en la instalación. • Fácil instalación: se monta entre bridas standard. Sin necesidad de juntas adicionales. • Instalación vertical y horizontal. • Excelentes características de conducción. <p>No montar la válvula a una distancia inferior a 5 x D de la salida de una bomba. Montar con tubo PN 10 (SCH40). En caso de usar un PN 16 (SCH80) se podrían ocasionar daños en la válvula.</p>
Certifications / regulations	Check valve design regulation - ISO 16137:2006	

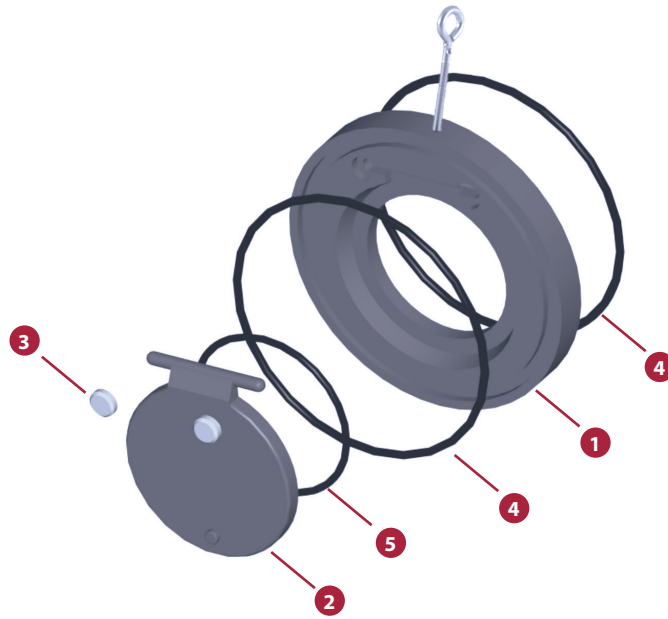
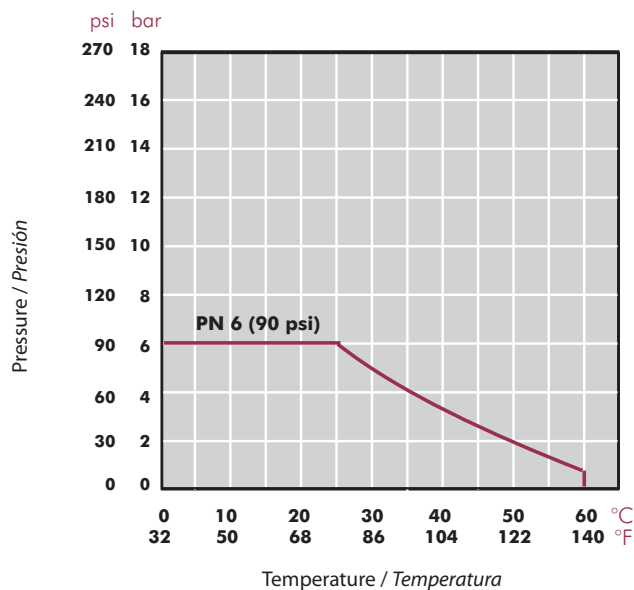


FIG.	Parts	Despiece	Material
1	Body	Cuerpo	PVC-U
2	Flap	Clapeta	PVC-U
3	Cap	Tapón	PP
4	Body O-ring	Junta cuerpo	EPDM / FPM
5	Flap O-ring	Junta clapeta	EPDM / FPM

PRESSURE / TEMPERATURE GRAPH
DIAGRAMA PRESIÓN / TEMPERATURA

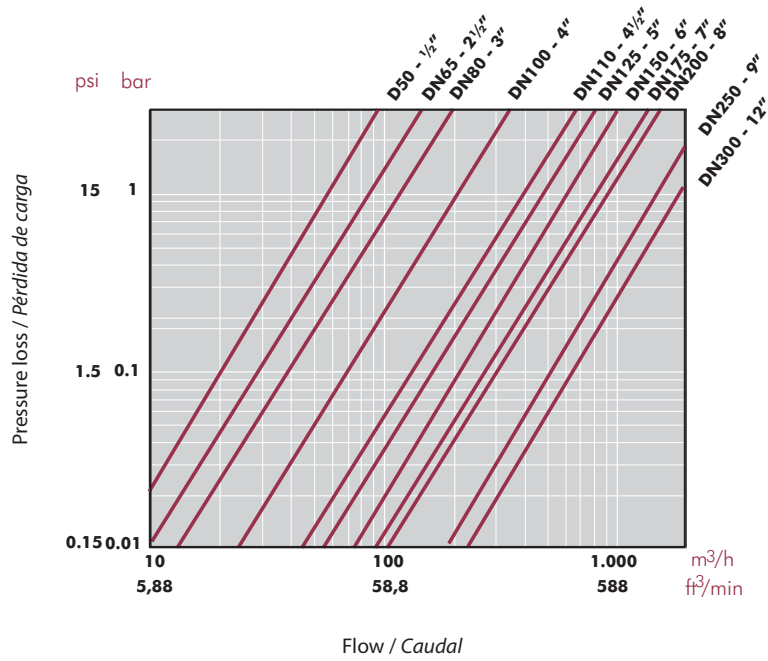


Life: 25 years
 Hydrostatic maximum pressure a component may withstand in continuous service (without overpressure)

Vida útil: 25 años
Presión hidrostática máxima que un componente es capaz de soportar en servicio continuo (sin sobrepresión)

PRESSURE LOSS DIAGRAM

DIAGRAMA DE PÉRDIDAS DE CARGA



RELATIVE FLOW

FLUJO RELATIVO

D	63	75	90	110	125	140	160	200	225	250	280	315
DN	50	65	80	100	125	125	150	175	200	250	250	300
Kv ₁₀₀ (m³/h)	57	85	130	200	390	480	600	800	900	1.600	1.600	1.850
Kv ₁₀₀ (l/min)	950	1.417	2.167	3.333	6.500	8.000	10.000	13.333	15.000	26.667	26.667	30.833
Cv	67	99	152	233	455	560	700	934	1.050	1.867	1.867	2.159

Cv = Kv₁₀₀ / 14,28
 Kv₁₀₀ (l/min, Δp = 1 bar)
 Cv (GPM, Δp = 1 psi)

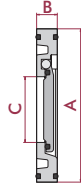
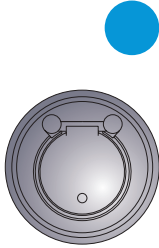
UP. 65 - SWING CHECK VALVE

Swing check valve

- PVC-U body
- O-rings in EPDM

Válvula de clapeta

- Cuerpo en PVC-U
- Anillos tóricos en EPDM



D	DN	PN	REF.	CODE
63	50	6	05 65 063 *	37055
75	65	6	05 65 075	08984
90	80	6	05 65 090	08985
110	100	6	05 65 110	08986
125	125	6	05 65 125	09040
140	125	6	05 65 140	08987
160	150	6	05 65 160	08988
200	175	6	05 65 200	09041
225	200	6	05 65 225	08989
250	250	6	05 65 250	37056
280	250	6	05 65 280 *	41865
315	300	6	05 65 315 *	37057

A	B	C
109	20	32
129	20	40
144	20	52
164	22	70
170	25	83
195	23	92
220	25	112
247	28	139
275	35	150
328	40	162
330	40	189
380	45	226

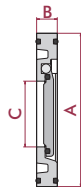
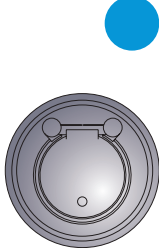
UP. 65. FG - SWING CHECK VALVE

Swing check valve

- PVC-U body
- O-rings in EPDM perox.

Válvula de clapeta

- Cuerpo en PVC-U
- Anillos tóricos en EPDM perox.



D	DN	PN	REF.	CODE
63	50	6	05 65 063 FG *	37055FG
75	65	6	05 65 075 FG	08984FG
90	80	6	05 65 090 FG	08985FG
110	100	6	05 65 110 FG	08986FG
125	125	6	05 65 125 FG	09040FG
140	125	6	05 65 140 FG	08987FG
160	150	6	05 65 160 FG	08988FG
200	175	6	05 65 200 FG	09041FG
225	200	6	05 65 225 FG	08989FG
250	250	6	05 65 250 FG	37056FG
280	250	6	05 65 280 FG*	41865FG
315	300	6	05 65 315 FG*	37057FG

A	B	C
109	20	32
129	20	40
144	20	52
164	22	70
170	25	83
195	23	92
220	25	112
247	28	139
275	35	150
328	40	162
330	40	189
380	45	226

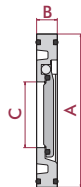
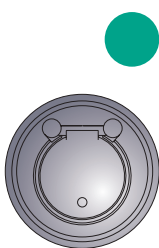
UP. 65. VIT - SWING CHECK VALVE

Swing check valve

- PVC-U body
- O-rings in FPM

Válvula de clapeta

- Cuerpo en PVC-U
- Anillos tóricos en FPM



D	DN	PN	REF.	CODE
63	50	6	05 65 063 VIT*	37055VI
75	65	6	05 65 075 VIT	08984VI
90	80	6	05 65 090 VIT	08985VI
110	100	6	05 65 110 VIT	08986VI
125	125	6	05 65 125 VIT	09040VI
140	125	6	05 65 140 VIT	08987VI
160	150	6	05 65 160 VIT	08988VI
200	175	6	05 65 200 VIT	09041VI
225	200	6	05 65 225 VIT	08989VI
250	250	6	05 65 250 VIT	37056VI
280	250	6	05 65 280 VIT*	41865VI
315	300	6	05 65 315 VIT*	37057VI

A	B	C
109	20	32
129	20	40
144	20	52
164	22	70
170	25	83
195	23	92
220	25	112
247	28	139
275	35	150
328	40	162
330	40	189
380	45	226

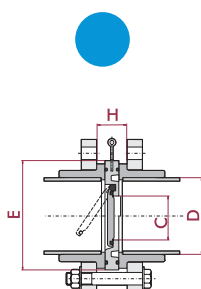
UP. 65. VKIT - SWING CHECK VALVE KIT

Swing check valve with mounting kit

- PVC-U body
- O-rings in EPDM
- Loose flanges

Válvula de clapeta con kit accesorios

- Cuerpo en PVC-U
- Anillos tóricos en EPDM
- Bridas locas



D	DN	PN	REF.	CODE
63	50	6	05 65 063 RA *	37073
75	65	6	05 65 075 RA	23312
90	80	6	05 65 090 RA	23313
110	100	6	05 65 110 RA	23314
125	125	6	05 65 125 RA	23315
140	125	6	05 65 140 RA	23316
160	150	6	05 65 160 RA	23317
200	175	6	05 65 200 RA	23318
225	200	6	05 65 225 RA	23319
250	250	6	05 65 250 RA	37074
315	300	6	05 65 315 RA *	37075

C	H	E
32	26	109
40	30	129
52	30	144
70	32	164
83	35	170
92	33	195
112	37	220
139	40	247
150	51	275
162	56	328
226	64	330

BUTTERFLY VALVES
VÁLVULAS DE MARIPOSA

03



STANDARD SERIES

221



INDUSTRIAL SERIES

225






CLASSIC SERIES

230

SELECTING BUTTERFLY VALVES

SELECCIÓN DE VÁLVULAS DE MARIPOSA

	Sizes <i>Medidas</i>	PN	Body material <i>Material cuerpo</i>	Body O-rings <i>Junta de cuerpo</i>	Shaft <i>Eje</i>	Disc material <i>Material de compuerta</i>
 <p>INDUSTRIAL SERIES</p>	D63 - D225	PN 10 150 psi	PP - GR	EPDM perox. FPM	Stainless steel	PVC-U PVC-C
	D250 - D315	PN 6 90 psi				
 <p>STANDARD SERIES</p>	D63 - D225	PN 10 150 psi	PVC-U PP-GF	EPDM FPM	Zinc plated steel	PVC-U
	D250 - D315	PN 6 90 psi				
 <p>CLASSIC SERIES</p>	D63 - D140	PN 10 150 psi	PVC-U	EPDM FPM	Stainless steel Zinc plated steel	PVC-U
	D160 - D250	PN 6 90 psi				

Concept
&
typical application

Concepto
y
aplicaciones típicas

- Butterfly valve for industrial applications requiring the most demanding features.
- One piece body in glass filled polypropylene.
- Disc available in several materials in order to adjust to the most demanding applications (PVC-U, PVC-C).
- Full body liner seal available in EPDM perox. or FPM.
- Stainless steel shaft AISI 630.
- Ergonomic lever handle of high resistance 100% made in plastic and with a built in lockout feature to prevent undesired operations.
- Available with electric and pneumatic actuation or with gear box.
- Completely made in plastic. Avoids all corrosion problems.
- 100% of Cepex butterfly valves are factory tested.
- Light weight. Easy to install and offering reduced handling, labor, freight and installation costs.
- Disc design ensuring low torque and low pressure loss.

- Válvula de mariposa para aplicaciones industriales o que requieran de las prestaciones más exigentes.
- Cuerpo de una sola pieza en polipropileno reforzado con fibra de vidrio.
- Compuerta disponible en diversos materiales para adaptarse a las aplicaciones más exigentes (PVC-U, PVC-C.).
- Junta de compuerta integral disponible en EPDM perox. o FPM.
- Eje en acero inoxidable AISI 630.
- Maneta ergonómica de alta resistencia 100% plástica y con seguro incorporado para evitar maniobras indeseadas.
- Disponibles con actuación eléctrica, neumática o con reductor manual.
- Totalmente construida en plástico. Evita cualquier posibilidad de corrosión.
- El 100% de las válvulas de mariposa Cepex han sido testeadas en fábrica.
- Ligera. Reduce los requerimientos de fuerza de trabajo (especialmente con relación al metal) y facilita la instalación y el mantenimiento.
- Diseño de compuerta que asegura una mínima pérdida de carga y un bajo par de maniobra.

- Butterfly valve for water applications (irrigation, water treatment, ...).
- One piece body in PVC-U (PP-GF in D250 - D315).
- Disc available in PVC-U.
- Full body liner seal available in EPDM or FPM.
- Zinc plated steel shaft.
- Ergonomic lever handle of high resistance 100% made in plastic and with a built in lockout feature to prevent undesired operations.
- Completely made in plastic. Avoids all corrosion problems.
- 100% of Cepex butterfly valves are factory tested.
- Light weight. Easy to install and offering reduced handling, labor, freight and installation costs.
- Disc design ensuring low torque and low pressure loss.

- Válvula de mariposa para aplicaciones de agua (riego, tratamiento de aguas, ...).
- Cuerpo de una sola pieza en PVC-U (PP-GF en D250-D315).
- Compuerta disponible en PVC-U.
- Junta de compuerta integral disponible en EPDM o FPM.
- Eje en acero zincado.
- Maneta ergonómica de alta resistencia 100% plástica y con seguro incorporado para evitar maniobras indeseadas.
- Totalmente construida en plástico. Evita cualquier posibilidad de corrosión.
- El 100% de las válvulas de mariposa Cepex han sido testeadas en fábrica.
- Ligera. Reduce los requerimientos de fuerza de trabajo (especialmente con relación al metal) y facilita la instalación y el mantenimiento.
- Diseño de compuerta que asegura una mínima pérdida de carga y un bajo par de maniobra.

- Butterfly valve for water applications (irrigation, water treatment, ...).
- Disc and body in PVC-U.
- Rubber seal available in EPDM or FPM.
- Shaft in stainless steel or zinc plated steel.
- Avoids all corrosion problems.
- 100% of Cepex butterfly valves are factory tested.

- Válvula de mariposa para aplicaciones de agua (riego, tratamiento de aguas, ...).
- Cuerpo y compuerta en PVC-U.
- Junta de compuerta disponible en EPDM o FPM.
- Eje en acero zincado o inoxidable.
- Evita cualquier posibilidad de corrosión.
- El 100% de las válvulas de mariposa Cepex han sido testeadas en fábrica.

... the most **complete** range
 ... la gama más **completa**

	Body <i>Cuerpo</i>	Disc <i>Compuerta</i>	Rubber seal <i>Junta compuerta</i>	Shaft <i>Eje</i>	Sizes <i>Medidas</i>	PN
--	-----------------------	--------------------------	---------------------------------------	---------------------	-------------------------	----

Industrial Series

PP - GR

 PVC-U
PVC-C

 EPDM perox.
FPM

Stainless steel

 D63 - D225
(2" - 8")

 10 bar
150 psi

PP handle with locking device

63 - 75

90

110

125 - 140

160

200 - 225


Industrial Series

PP - GR

 PVC-U
PVC-C
PP-H

 EPDM perox.
FPM

Stainless steel

 D63 - D225
(2" - 8")

 10 bar
150 psi

Gear box

 D250 - D315
(10" - 12")

 6 bar
90 psi

63 - 75

90

110

125 - 140

160

200 - 225

250 - 280

315


Standard Series

PVC-U

PVC-U

 EPDM
FPM

Zinc plated steel

 D63 - D225
(2" - 8")

 10 bar
150 psi

PP handle with locking device

 D250 - D315
(10" - 12")

 6 bar
90 psi

63 - 75

90

110

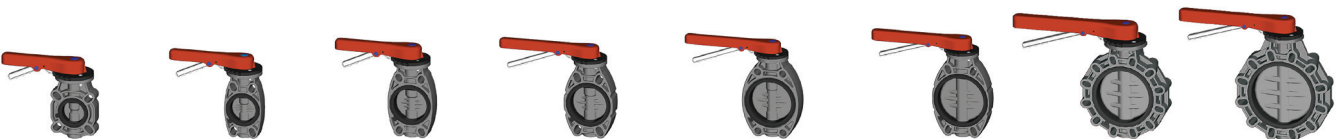
125 - 140

160

200 - 225

250 - 280

315


Classic Series

PVC-U

PVC-U

 EPDM
FPM

 Stainless steel
Zinc plated steel

 D63 - D140
(2" - 5")

 10 bar
150 psi

Aluminium handle

 D160 - D250
(6" - 10")

 6 bar
90 psi

63 - 75

90

110

125 - 140

160

200 - 225

250



PVC-U BUTTERFLY VALVES - STANDARD SERIES

VÁLVULAS DE MARIPOSA PVC-U - SERIE STANDARD



Sizes	D63 - D315 (DN50 - DN300) 2" - 12" (DN50 - DN300)	
Standards	ISO/DIN, British Standard, ANSI/ASTM, JIS	EN 558-1 BS EN 1092-1 ANSI B.16.5 class 150 JIS B 2220
Working pressure	@ 20°C (73°F) D63-D225 (2" - 8"): PN 10 (150 psi) D250 - D315 (10" - 12"): PN 6 (90 psi)	
Materials	Gasket: EPDM / FPM	Shaft: Zinc plated steel
Characteristics	<ul style="list-style-type: none"> • Ideally suited for flow control using minimal piping space. • 100% factory tested. • Minimal pressure drop. • Low maintenance. • Resistance to many inorganic chemicals. • Regulable opening every 15° with position holding. • Good mechanical strength. • One piece PVC-U body (PP-GF in D250-315). • New disc design in PVC-U • Non-wetted zinc plated steel shaft. • Ideally suited for irrigation installations or swimming pools. 	<ul style="list-style-type: none"> • Ideal para el control del fluido usando poco espacio. • Testadas al 100% en fábrica. • Mínima pérdida de carga. • Resistencia a múltiples sustancias químicas inorgánicas. • Apertura regulable cada 15° con fijación de posición. • Buena resistencia mecánica. • Cuerpo de una sola pieza en PVC-U (PP-GF en D250-D315). • Nuevo diseño de compuerta en PVC-U. • Eje en acero zincado que no entra en contacto con el fluido. • Ideal para instalaciones de riego o en piscinas.
Certifications / regulations	Butterfly valve design regulation - ISO-1452-4	

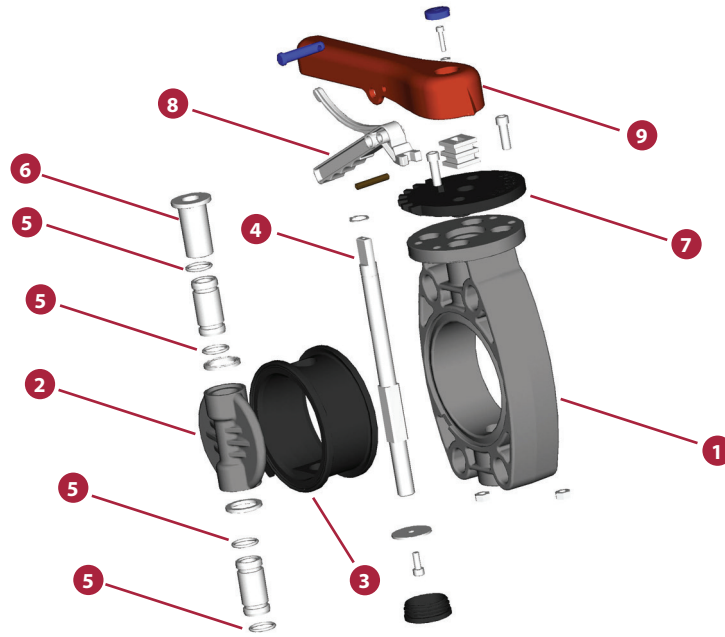
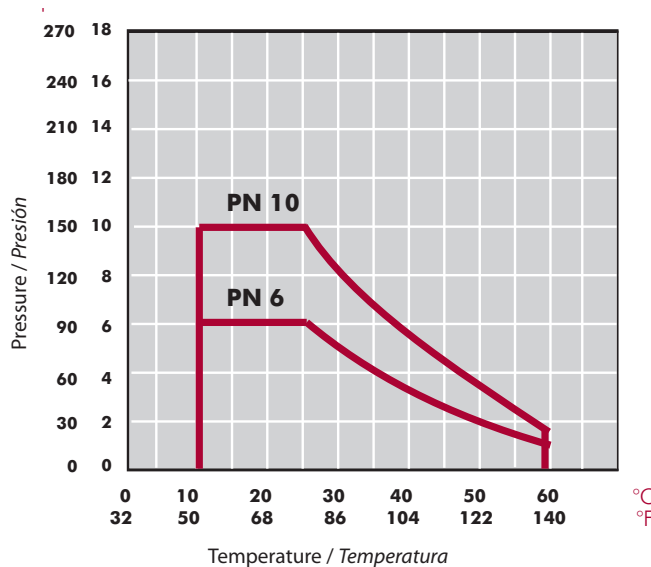


FIG.	Parts	Despiece	Material
1	Body	Cuerpo	PVC-U / PP-GF (D250-D315)
2	Valve disc	Compuerta	PVC-U
3	Rubber seal	Junta compuerta	EPDM / FPM
4	Shaft	Eje	Zinc plated steel
5	O-ring seal	Junta eje	EPDM / FPM
6	Top bearing	Casquillo guía	PP - GR
7	Throttle plate	Conjunto divisor	PP - GR
8	Lever-lock	Gatillo de la maneta	POM
9	Handle	Maneta	PP - GR

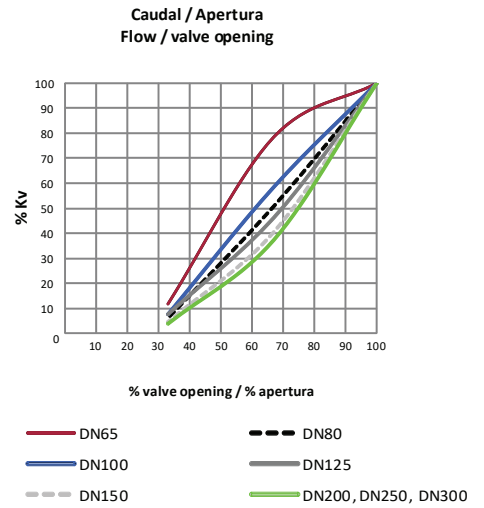
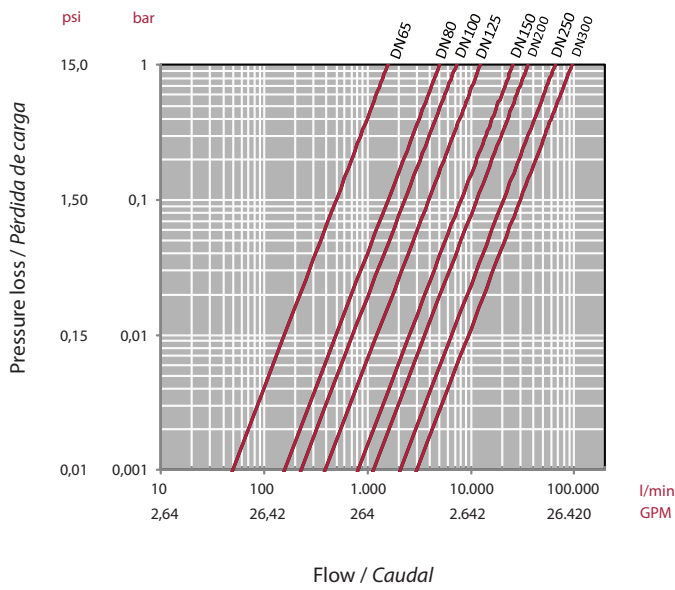
PRESSURE / TEMPERATURE GRAPH
DIAGRAMA PRESIÓN / TEMPERATURA



Life: 25 years
 Hydrostatic maximum pressure a component may withstand in continuous service (without overpressure)

Vida útil: 25 años
Presión hidrostática máxima que un componente es capaz de soportar en servicio continuo (sin sobrepresión)

PRESSURE LOSS DIAGRAM
DIAGRAMA DE PÉRDIDAS DE CARGA



RELATIVE FLOW
FLUJO RELATIVO

D	63-75 (2½")	90 (3")	110 (4")	125-140 (5")	160 (6")	200-225 (8")	250-280 (10")	315 (12")
DN	50 - 65	80	100	125	150	200	250	300
Kv100	1.568	4.980	7.212	12.320	25.447	35.778	65.222	94.660
Cv	110	349	505	863	1.134	2.505	4.567	6.629

$Cv = Kv_{100} / 14,28$
 Kv_{100} (l/min, $\Delta p = 1$ bar)
 Cv (GPM, $\Delta p = 1$ psi)

OPERATIONAL TORQUE CHART
TABLA DE PAR DE MANIOBRA

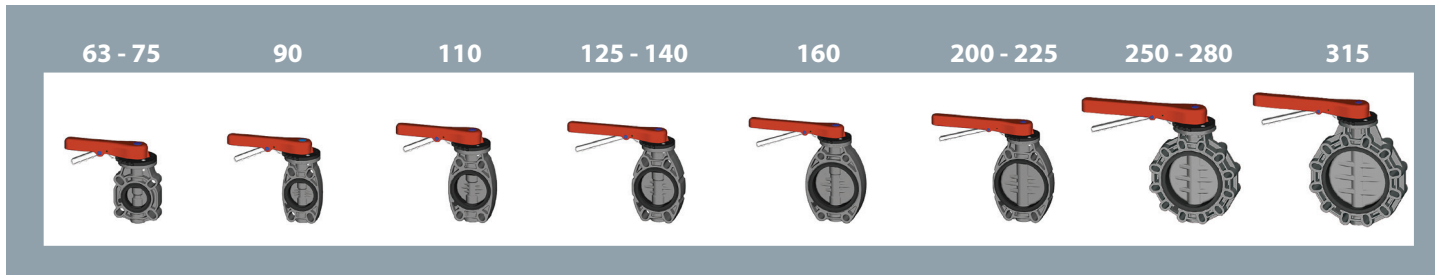
D	63-75 (2½")	90 (3")	110 (4")	125-140 (5")	160 (6")	200-225 (8")	250-280 (10")	315 (12")
DN	50 - 65	80	100	125	150	200	250	300
Nm	25	28	35	85	110	110	180	250
lb*inch	221	248	310	752	974	974	1593	2213

Operating torque values at rated pressure (PN) and 20 °C in as new direct from the factory condition. Installation and operating conditions (pressure and temperature) will affect these values.

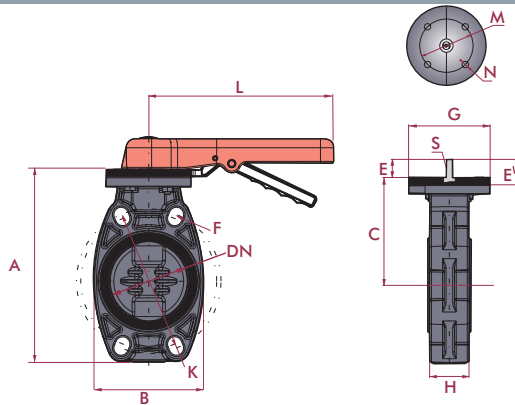
Los valores de par de giro se determinan a presión nominal (PN) y a 20 °C, en condiciones de salida de fábrica. Las condiciones de instalación y operación (presión y temperatura) afectarán a estos valores.

TIGHTENING TORQUE (INSTALLATION)
PAR DE APRIETE (INSTALACIÓN)

D	63-75 (2½")	90 (3")	110 (4")	125-140 (5")	160 (6")	200-225 (8")	250-280 (10")	315 (12")
DN	50 - 65	80	100	125	150	200	250	300
Screws	4xM16x120	4xM16x150	4xM16x160	4xM16x170	4xM20x200	4xM20x210	12xM20x270	12xM20x310
(N·m)	25	25	30	35	40	50	80	80
(inch·lbs)	221	221	265	310	354	442	708	708



DIMENSIONS
DIMENSIONES



D	inch	DN	A	B	C	F	G	H	K	L	M	N	E'	S	holes
63-75	2½"	50-65	201	135	120	18	112	48	125-145	220	70	9	35	10	4
90	3"	80	232	122	136	19	112	52	150-169,5	245	70	9	35	12	4
110	4"	100	255	145	148	19	112	59	180-191,5	245	70	9	35	16	4
125-140	5"	125	284	175	164	22	112	66	190-215	320	70	9	35	20	4
160	6"	150	314	209	180	24	112	72	240	320	70	9	35	20	4
200-225	8"	200	378	248	217	23	136	73	270-298	391	102	11	47	26	4
250-280	10"	250	476	400	276	25	207	114	355-362	502	155-102	11	49	34	12
315	12"	300	563	476	328	29	207	114	390-432	502	155-102	11	49	34	12

UP. 83. ZP. EP - STANDARD BUTTERFLY VALVES

Butterfly valve

- PVC-U body
- Blue dot
- Joints in EPDM
- Zinc plated steel shaft
- Disc in PVC-U
- PP handle

Válvula de mariposa

- Cuerpo en PVC-U
- Distintivo azul
- Juntas EPDM
- Eje en acero zincado
- Compuerta de PVC-U
- Maneta en PP



D	DN	PN	REF.	CODE
63-75	50-65	10	05 83 075	32614
90	80	10	05 83 090	32615
110	100	10	05 83 110	32616
125-140	125	10	05 83 140	32617
160	150	10	05 83 160	32618
200-225	200	10	05 83 200	32619
250-280	250	6	05 83 250	46647
315	300	6	05 83 315	46648

UP. 83. ZP. VI - STANDARD BUTTERFLY VALVES

Butterfly valve

- PVC-U body
- Green dot
- Joints in FPM
- Zinc plated steel shaft
- Disc in PVC-U
- PP handle

Válvula de mariposa

- Cuerpo en PVC-U
- Distintivo verde
- Juntas FPM
- Eje en acero zincado
- Compuerta de PVC-U
- Maneta en PP



D	DN	PN	REF.	CODE
63-75	50-65	10	05 83 075 VI	34532
90	80	10	05 83 090 VI	34533
110	100	10	05 83 110 VI	34534
125-140	125	10	05 83 140 VI	34535
160	150	6	05 83 160 VI	34536
200-225	200	6	50 83 200 VI	34537

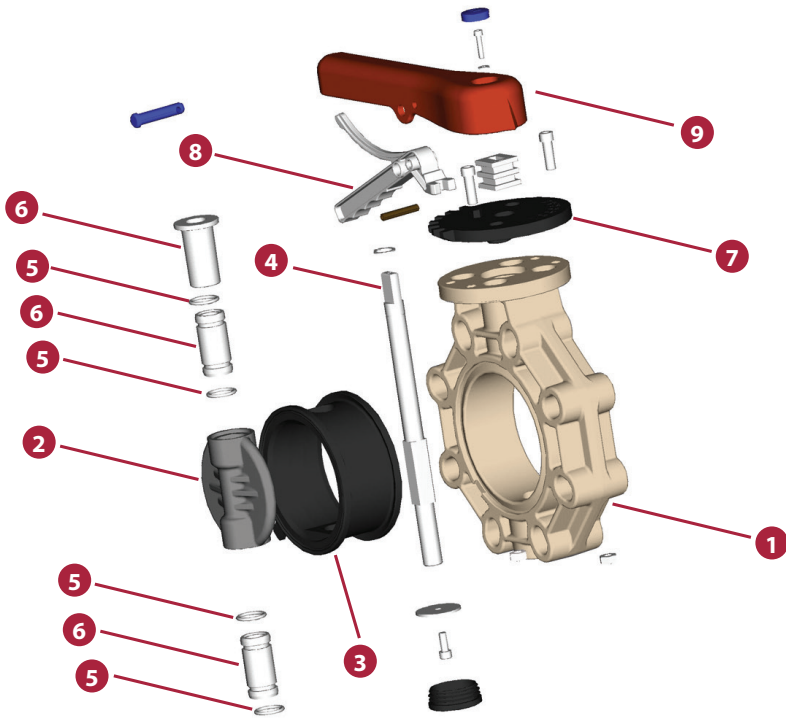
PVC-U BUTTERFLY VALVES - INDUSTRIAL SERIES

VÁLVULAS DE MARIPOSA PVC-U - SERIE INDUSTRIAL



Sizes	D63 - D315 (DN50 - DN300) 2" - 12" (DN50 - DN300)	
Standards	ISO/DIN, British Standard, ANSI/ASTM, JIS	EN 558-1 BS EN 1092-1 ANSI B.16.5 class 150 JIS B 2220
Working pressure	@ 20°C (73°F) D63-D225 (2" - 8"): PN 10 (150 psi) D250 - D315 (10" - 12"): PN 6 (90 psi)	
Materials	Gasket: EPDM perox. / FPM	Shaft: Stainless steel (AISI 630)
Characteristics	<ul style="list-style-type: none"> • One piece PP - GR body. • Disc available in different materials (PVC-U, PVC-C). • Ideally suited for flow control using minimal piping space. • 100% factory tested. • Minimal pressure drop. • Low maintenance. • Resistance to many inorganic chemicals. • Regulable opening every 15° with position holding. • Good mechanical strength. • Built in lockout feature to prevent undesired operations. • Electric and pneumatic actuators available, and with gear box. 	<ul style="list-style-type: none"> • Cuerpo de una sola pieza en PP - GR. • Compuerta disponible en diversos materiales (PVC-U, PVC-C). • Ideal para el control del fluido usando poco espacio. • Testadas al 100% en fábrica. • Mínima pérdida de carga. • Resistencia a múltiples substancias químicas inorgánicas. • Apertura regulable cada 15° con fijación de posición. • Buena resistencia mecánica. • Seguro incorporado en la maneta para evitar operaciones no deseadas. • Motorizaciones eléctricas, neumáticas y reductor manual disponibles.
Certifications / regulations	Butterfly valve design regulation - ISO 16136	





GEAR BOX

It facilitates the maneuver of the valve by reducing the manual actuation torque by means of a handwheel, in addition to achieving greater precision in the case of regulation. Reduction: 40:1

MATERIALS

- Case: Aluminium
- Shaft: Stainless steel
- Handwheel: Stainless steel

Protection: IP65

REDUCTOR MANUAL

Facilita la maniobra de la válvula reduciendo el par de accionamiento manual mediante un volante, además de conseguir mayor precisión en caso de regulación. Reducción: 40:1

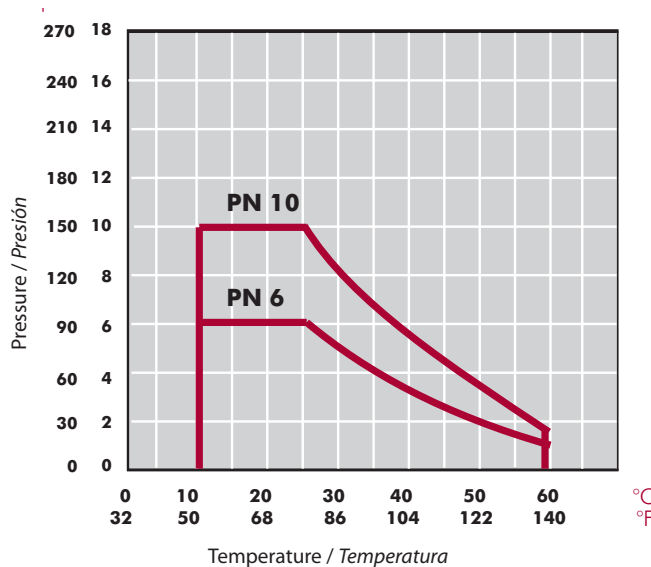
MATERIALES

- Carcasa: Aluminio
- Eje: Acero inoxidable
- Volante: Acero inoxidable

Protección: IP65

FIG.	Parts	Despiece	Material
1	Body	Cuerpo	PP - GR
2	Valve disc	Compuerta	PVC-U
3	Rubber seal	Junta compuerta	EPDM perox. / FPM
4	Shaft	Eje	AISI 630 stainless steel
5	O-ring seal	Junta eje	EPDM perox. / FPM
6	Top bearing	Casquillo guía	PP - GR
7	Throttle plate	Conjunto divisor	PP - GR
8	Lever-lock	Gatillo de la maneta	POM
9	Handle	Maneta	PP - GR
10	Gear box (optional)	Reductor manual (opcional)	Aluminium

PRESSURE / TEMPERATURE GRAPH
DIAGRAMA PRESIÓN / TEMPERATURA



Life: 25 years

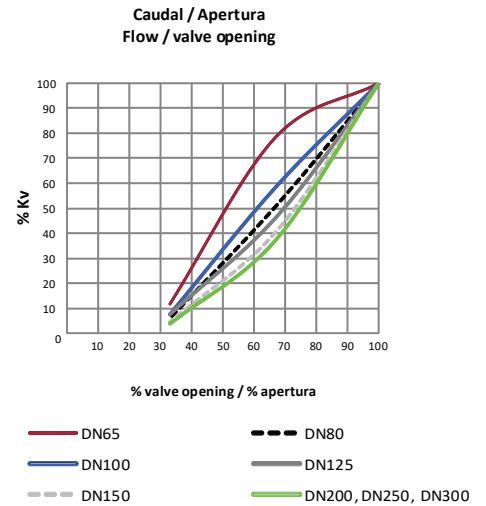
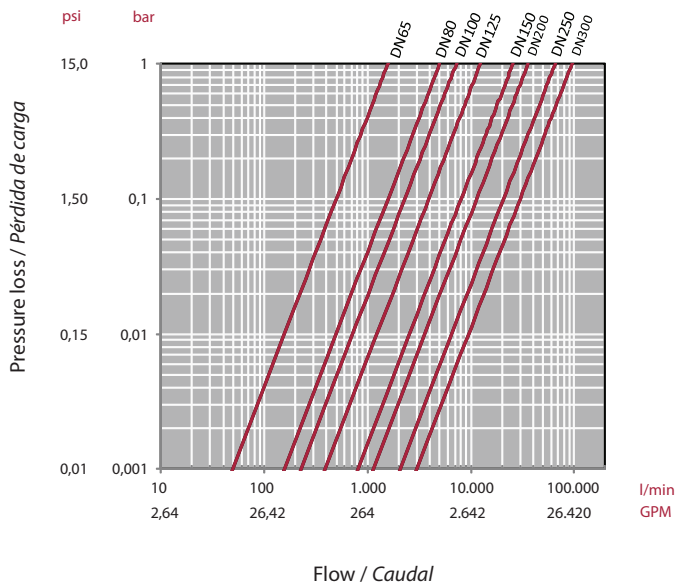
Hydrostatic maximum pressure a component may withstand in continuous service (without overpressure)

Vida útil: 25 años

Presión hidrostática máxima que un componente es capaz de soportar en servicio continuo (sin sobrepresión)

PRESSURE LOSS DIAGRAM

DIAGRAMA DE PÉRDIDAS DE CARGA



RELATIVE FLOW

FLUJO RELATIVO

D	63-75 (2½")	90 (3")	110 (4")	125-140 (5")	160 (6")	200-225 (8")	250-280 (10")	315 (12")
DN	50 - 65	80	100	125	150	200	250	300
Kv100	1.568	4.980	7.212	12.320	25.447	35.778	65.222	94.660
Cv	110	349	505	863	1.134	2.505	4.567	6.629

$Cv = Kv_{100} / 14,28$
 $Kv_{100} (l/min, \Delta p = 1 \text{ bar})$
 $Cv (GPM, \Delta p = 1 \text{ psi})$

OPERATIONAL TORQUE CHART

TABLA DE PAR DE MANIOBRA

D	63-75 (2½")	90 (3")	110 (4")	125-140 (5")	160 (6")	200-225 (8")	250-280 (10")	315 (12")
DN	50 - 65	80	100	125	150	200	250	300
Nm	25	28	35	85	110	110	180	250
lb*inch	221	248	310	752	974	974	1593	2213

Operating torque values at rated pressure (PN) and 20 °C in as new direct from the factory condition. Installation and operating conditions (pressure and temperature) will affect these values. The actuator that is required for an automatic operation must be calculated according to some safety factors that were determined in life tests carried out in the factory.

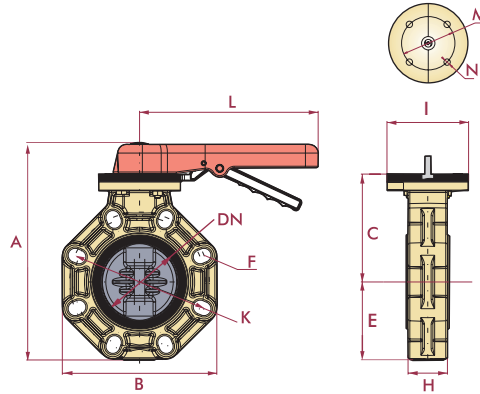
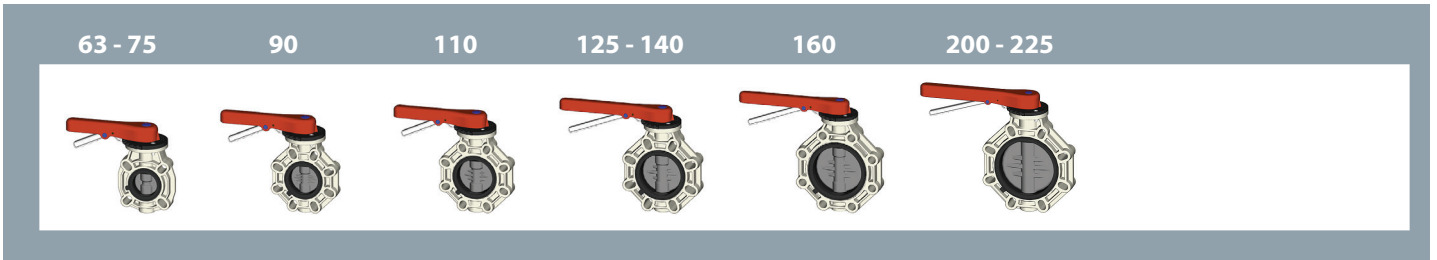
Los valores de par de giro se determinan a presión nominal (PN) y a 20 °C, en condiciones de salida de fábrica. Las condiciones de instalación y operación (presión y temperatura) afectarán a estos valores. El actuador requerido para automatizar el giro debe ser calculado teniendo en cuenta ciertos coeficientes de seguridad que han sido determinados en pruebas de fatiga realizadas en fábrica.

TIGHTENING TORQUE (INSTALLATION)

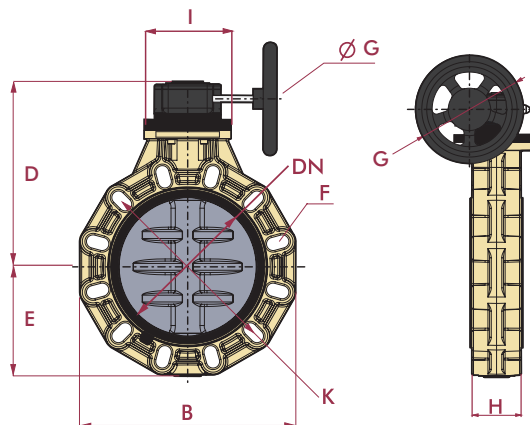
PAR DE APRIETE (INSTALACIÓN)

D	63-75 (2½")	90 (3")	110 (4")	125-140 (5")	160 (6")	200-225 (8")	250-280 (10")	315 (12")
DN	50 - 65	80	100	125	150	200	250	300
Screws	4xM16x120	8xM16x150	8xM16x160	8xM16x170	8xM20x200	8xM20x210	12xM20x270	12xM20x310
(N·m)	25	25	30	35	40	50	80	80
(inch·lbs)	221	221	265	310	354	442	708	708

DIMENSIONS
DIMENSIONES



D	inch	DN	A	B	C	E	F	H	I	K	L	M	N	holes
63-75	2½"	50 - 65	241	156	120	81	18	45	112	125-145	220	70	9	4
90	3"	80	272	190	136	95	19	48	112	150-170	245	70	9	8
110	4"	100	294	212	148	106	19	54	112	180-192	245	70	9	8
125-140	5"	125	326	238	164	119	22	64	112	190-215	320	70	9	8
160	6"	150	355	265	180	133	24	70	112	240	320	70	9	8
200-225	8"	200	427	320	217	161	23	71	136	270-298	391	102	11	8



D	inch	DN	B	D	E	F	G	H	K	M	N	holes
63-75	2½"	50 - 65	156	203	81	18	125	45	125-145	70	9	4
90	3"	80	190	220	95	19	125	48	150-170	70	9	8
110	4"	100	212	231	106	19	125	54	180-192	70	9	8
125-140	5"	125	238	254	119	22	160	64	190-215	70	9	8
160	6"	150	265	270	133	24	160	70	240	70	9	8
200-225	8"	200	320	320	161	23	160	71	270-298	102	11	8
250-280	10"	250	392	402	199	24	200	112	329-355	-	-	12
315	12"	300	470	421	238	28	200	114	384-427	-	-	12

UP. 84. SS. FGEP - INDUSTRIAL BUTTERFLY VALVES

Butterfly valve

- PP - GR body
- Blue dot
- Joints in EPDM perox.
- Stainless steel shaft (AISI 630)
- Disc in PVC-U
- PP-GR handle

Válvula de mariposa

- Cuerpo en PP - GR
- Distintivo azul
- Juntas EPDM perox.
- Eje en acero inoxidable (AISI 630)
- Compuerta de PVC-U
- Maneta en PP-GR



D	DN	PN	REF.	CODE
63 - 75	50 - 65	10	05 84 075	32620
90	80	10	05 84 090	32621
110	100	10	05 84 110	32622
125 - 140	125	10	05 84 140	32623
160	150	10	05 84 160	32624
200 - 225	200	10	05 84 200	32625

UP. 84. SS. VI - INDUSTRIAL BUTTERFLY VALVES

Butterfly valve

- PP - GR body
- Green dot
- Joints in FPM
- Stainless steel shaft (AISI 630)
- Disc in PVC-U
- PP-GR handle

Válvula de mariposa

- Cuerpo en PP - GR
- Distintivo verde
- Juntas FPM
- Eje en acero inoxidable (AISI 630)
- Compuerta de PVC-U
- Maneta en PP-GR



D	DN	PN	REF.	CODE
63 - 75	50 - 65	10	05 84 075 VI	32628
90	80	10	05 84 090 VI	32629
110	100	10	05 84 110 VI	32630
125 - 140	125	10	05 84 140 VI	32631
160	150	10	05 84 160 VI	32632
200 - 225	200	10	05 84 200 VI	32633

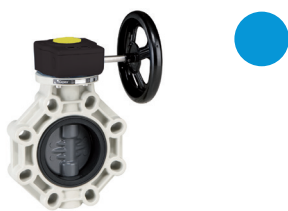
UP. 84. SS. FGEP. RM - INDUSTRIAL BUTTERFLY VALVES

Butterfly valve

- PP - GR body
- Joints in EPDM perox.
- Stainless steel shaft (AISI 630)
- Disc in PVC-U
- Gear box

Válvula de mariposa

- Cuerpo en PP - GR
- Juntas EPDM perox.
- Eje en acero inoxidable (AISI 630)
- Compuerta de PVC-U
- Reductor manual



D	DN	PN	REF.	CODE
63 - 75	50 - 65	10	05 84 075 RM	34466
90	80	10	05 84 090 RM	34467
110	100	10	05 84 110 RM	34468
125 - 140	125	10	05 84 140 RM	34469
160	150	10	05 84 160 RM	34470
200 - 225	200	10	05 84 200 RM	34471
250 - 280	250	6	05 84 250 RM	34472
315	300	6	05 84 315 RM	32738

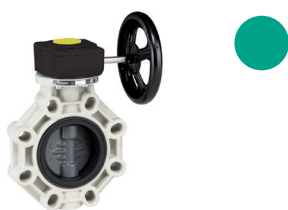
UP. 84. SS. VI. RM - INDUSTRIAL BUTTERFLY VALVES

Butterfly valve

- PP - GR body
- Joints in FPM
- Stainless steel shaft (AISI 630)
- Disc in PVC-U
- Gear box

Válvula de mariposa

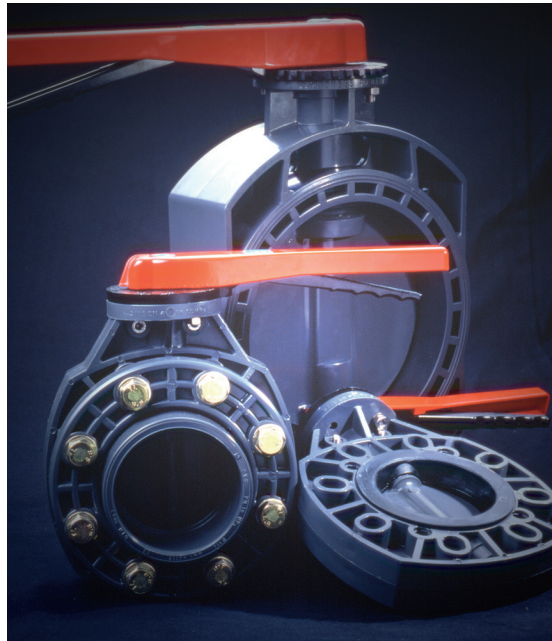
- Cuerpo en PP - GR
- Juntas FPM
- Eje en acero inoxidable (AISI 630)
- Compuerta de PVC-U
- Reductor manual



D	DN	PN.	REF.	CODE
63 - 75	50 - 65	10	05 84 075 VRM	34473
90	80	10	05 84 090 VRM	34474
110	100	10	05 84 110 VRM	34475
125 - 140	125	10	05 84 140 VRM	34476
160	150	10	05 84 160 VRM	34477
200 - 225	200	10	05 84 200 VRM	34478
250 - 280	250	6	05 84 250 VRM	34479
315	300	6	05 84 315 VRM	32739

PVC-U BUTTERFLY VALVES - CLASSIC SERIES

VÁLVULAS DE MARIPOSA PVC-U - SERIE CLASSIC

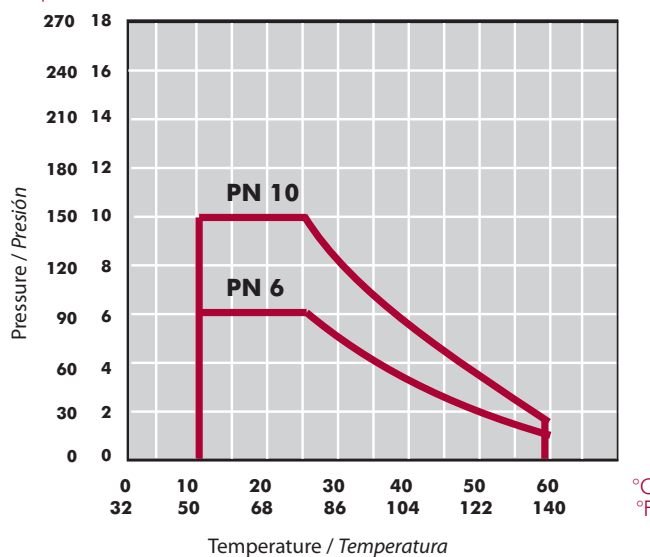


Sizes	D63 - D250 (DN65 - DN200) 2" - 10"	
Standards	ISO/DIN, British Standard, ANSI/ASTM, JIS	EN 558-1 BS EN 1092-1 ANSI B.16.5 class 150 JIS B 2220
Working pressure	@ 20°C (73°F) D63-D140 (2" - 5"): PN 10 (150 psi) D160 - D250 (6" - 10"): PN 6 (90 psi)	
Materials	Gasket: EPDM / FPM	Shaft: Zinc plated steel / Stainless steel (AISI 316)
Characteristics	<ul style="list-style-type: none"> • Ideally suited for flow control using minimal piping space. • 100% factory tested. • Minimal pressure drop. • Low maintenance. • Resistance to many inorganic chemicals. • Excellent flow characteristics. • Good mechanical strength. • PVC-U body. 	<ul style="list-style-type: none"> • Ideal para el control del fluido usando poco espacio. • Testadas al 100% en fábrica. • Mínima pérdida de carga. • Resistencia a múltiples sustancias químicas inorgánicas. • Excelentes características de conducción. • Buena resistencia mecánica. • Cuerpo en PVC-U.
Certifications	Butterfly valve design regulation - ISO-1452-4	



FIG.	Parts	Despiece	Material
1	Body	Cuerpo	PVC-U
2	Valve disc	Compuerta	PVC-U
3	Rubber seal	Junta compuerta	EPDM / FPM
4	Shaft	Eje	AISI 316 stainless steel or zinc plated steel
5	O-ring seal	Junta eje	EPDM / FPM
6	Top bearing	Casquillo guía	PE
7	Throttle plate	Conjunto divisor	Aluminium
8	Lever-lock	Gatillo de la maneta	Aluminium
9	Handle	Maneta	Aluminium

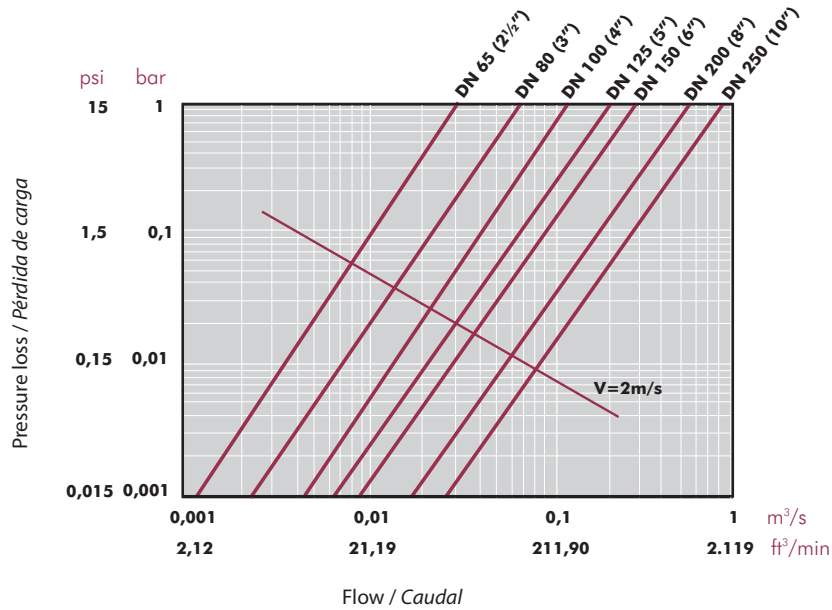
PRESSURE / TEMPERATURE GRAPH
DIAGRAMA PRESIÓN / TEMPERATURA



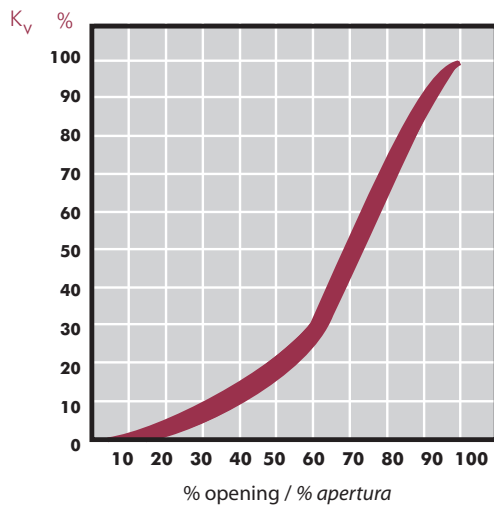
Life: 25 years
 Hydrostatic maximum pressure a component may withstand in continuous service (without overpressure)

Vida útil: 25 años
Presión hidrostática máxima que un componente es capaz de soportar en servicio continuo (sin sobrepresión)

PRESSURE LOSS DIAGRAM
DIAGRAMA DE PÉRDIDAS DE CARGA



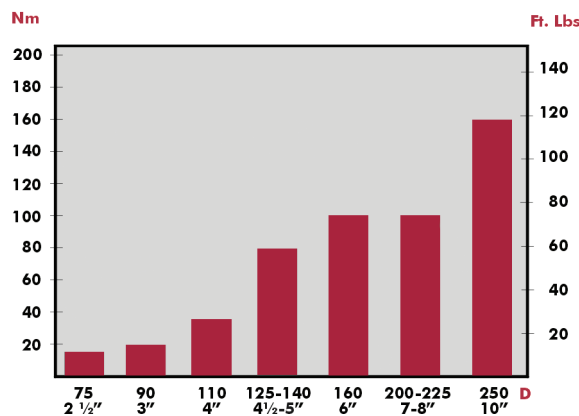
RELATIVE FLOW CHART
DIAGRAMA DE FLUJO RELATIVO



D		Kv ₁₀₀	Cv
63-75	2"-2½"	1800	126
90	3"	4020	282
110	4"	8280	580
125-140	5"	11760	824
160	6"	16200	1134
200-225	7"-8"	33000	2311
250	10"	52200	3655

$Cv = Kv_{100} / 14,28$
 Kv_{100} (l/min, Δp = 1 bar)
 Cv (GPM, Δp = 1 psi)

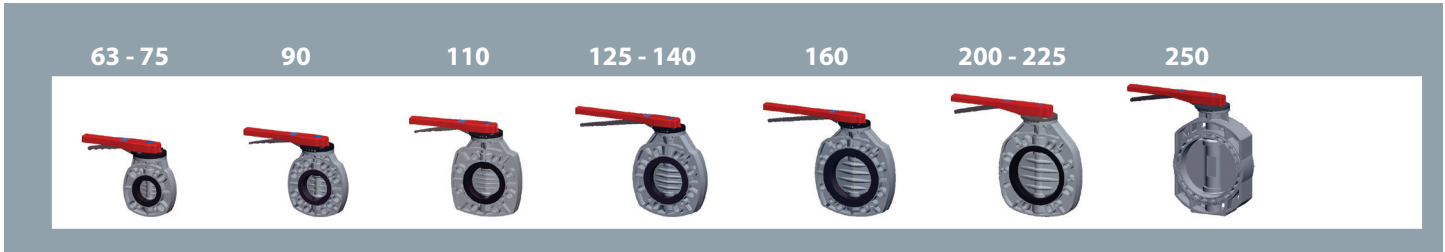
OPERATIONAL TORQUE CHART
TABLA DE PAR DE MANIOBRA



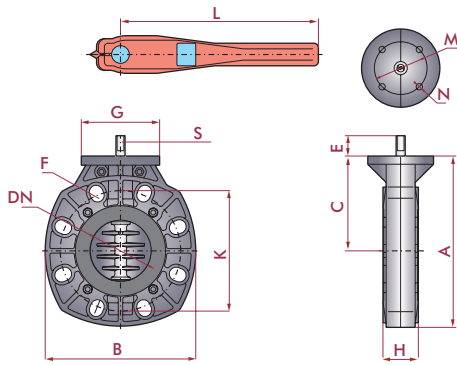
Operating torque values at rated pressure (PN) and 20 °C in as new direct from the factory condition. Installation and operating conditions (pressure and temperature) will affect these values. The actuator that is required for an automatic operation must be calculated according to some safety factors that were determined in life tests carried out in the factory.

Los valores de par de giro se determinan a presión nominal (PN) y a 20 °C, en condiciones de salida de fábrica. Las condiciones de instalación y operación (presión y temperatura) afectarán a estos valores. El actuador requerido para automatizar el giro debe ser calculado teniendo en cuenta ciertos coeficientes de seguridad que han sido determinados en pruebas de fatiga realizadas en fábrica.

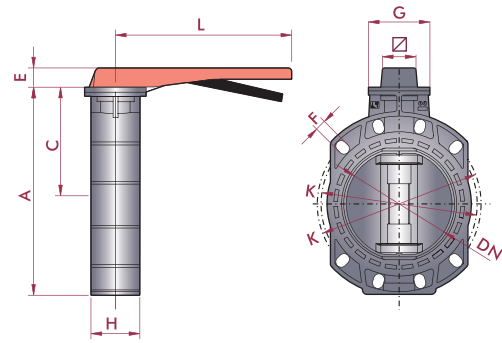
DIMENSIONS
DIMENSIONES



D63 - D225



D250



D	inch	DN	A	B	C	E	F	G	H	K	L	M	N	S	∅	holes
63-75	2½"	65	192	165	110	27	18	104	48	125/145	228	70	9	10		4
90	3"	80	227	200	126	27	18	104	53	160/169	263	70	9	12		8
110	4"	100	271	229	156	30	18	104	60	180/190	263	70	9	16		8
125-140	5"	125	297	250	172	30	18	104	66	190/210	350	70	9	20		8
160	6"	150	327	285	185	30	22	104	72	240	350	70	9	20		8
200-225	8"	200	400	340	230	30	22	136	73	270/295	390	102	11	26		8
250	10"	250	450	319	250	37	24	136	108	345/362	390	102	11		22	12

UP. 80. Z1 - CLASSIC BUTTERFLY VALVE

Butterfly valve

- PVC-U body
- Blue dot
- Joints in EPDM
- Zinc plated steel shaft
- Disc in PVC-U
- Aluminium handle

Válvula de mariposa

- Cuerpo en PVC-U
- Distintivo azul
- Juntas EPDM
- Eje en acero zincado
- Compuerta de PVC-U
- Maneta en aluminio



D	DN	PN	REF.	CODE
63 - 75	65	10	05 80 075	02581
90	80	10	05 80 090	02582
110	100	10	05 80 110	02583
125 - 140	125	10	05 80 140	02585
160	150	6	05 80 160	02586
200 - 225	200	6	05 80 200	02587
250	250	6	05 80 250	15846

UP. 80. I4 - CLASSIC BUTTERFLY VALVE

Butterfly valve

- PVC-U body
- Green dot
- Joints in FPM
- Stainless steel shaft (AISI 316)
- Disc in PVC-U
- Aluminium handle

Válvula de mariposa

- Cuerpo en PVC-U
- Distintivo verde
- Juntas FPM
- Eje en acero inoxidable (AISI 316)
- Compuerta de PVC-U
- Maneta en aluminio



D	DN	PN	REF.	CODE
63 - 75	65	10	05 80 075 IV	16713
90	80	10	05 80 090 IV	16714
110	100	10	05 80 110 IV	16715
125 - 140	125	10	05 80 140 IV	16716
160	150	6	05 80 160 IV	16717
200 - 225	200	6	05 80 200 IV	16718
250	250	6	05 80 250 IV	22426

COMPOSITION OF BUTTERFLY VALVE SET

Butterfly valve + Kit (movable flange or fixed flange)

COMPOSICIÓN DEL CONJUNTO VÁLVULA DE MARIPOSA

Válvula de mariposa + Kit accesorios (brida móvil o brida fija)

			Fig. 81		Fig. 82	
			Loose flange Brida móvil		Fix flange Brida fija	
Industrial	Standard	Classic	REF.	CODE	REF.	CODE
D63	D63	D63	05 81 063 RA	09119	-	-
D75	D75	D75	05 81 075 RA	09120	05 82 075 RA	09128
D90	D90	D90	05 81 090 RA	09121	05 82 090 RA	09129
D110	D110	D110	05 81 110 RA	09122	05 82 110 RA	09130
D125	D125	D125	05 81 125 RA	09123	05 82 125 RA	09131
D140	D140	D140	05 81 140 RA	09124	05 82 140 RA	09132
D160	D160	D160	05 81 160 RA	09125	05 82 160 RA	09133
D200	D200	D200	05 81 200 RA	09126	05 82 200 RA	09134
D225	D225	D225	05 81 225 RA	09127	05 82 225 RA	09135
D250		D250	05 81 250 RA	16060	-	-
D315			*	*	-	-

* For the D315 industrial butterfly valve, there's no exist a kit for the flange mounting; the flanges, the bolts and the union nuts must be acquire separately, could find it in the PVC fittings section of this catalogue.

* Para la válvula de mariposa industrial D315, no existe un kit de montaje con bridas, deben adquirirse por separado bridas, manguitos y tornillería que podrán encontrarse en la sección de accesorios en PVC.

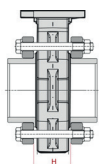
UP. 81. RA - FLANGE KIT

Butterfly valve kit

- Loose flange

Kit accesorios para válvula de mariposa

- Manguito portabridas + brida móvil



D	DN	REF.	CODE
63	50	05 81 063 RA	09119
75	65	05 81 075 RA	09120
90	80	05 81 090 RA	09121
110	100	05 81 110 RA	09122
125	110	05 81 125 RA	09123
140	125	05 81 140 RA	09124
160	150	05 81 160 RA	09125
200	175	05 81 200 RA	09126
225	200	05 81 225 RA	09127
250	225	05 81 250 RA	16060
315	300		

H (Industrial)	H (Standard)	H (Classic)
54	54	54
54	54	54
62	62	63
69	69	70
76	76	76
76	76	76
82	82	82
85	85	85
85	85	85
130	130	124
130	130	

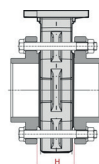
UP. 82. RA - FLANGE KIT

Butterfly valve kit

- Fixed flange

Kit accesorios para válvula de mariposa

- Brida fija

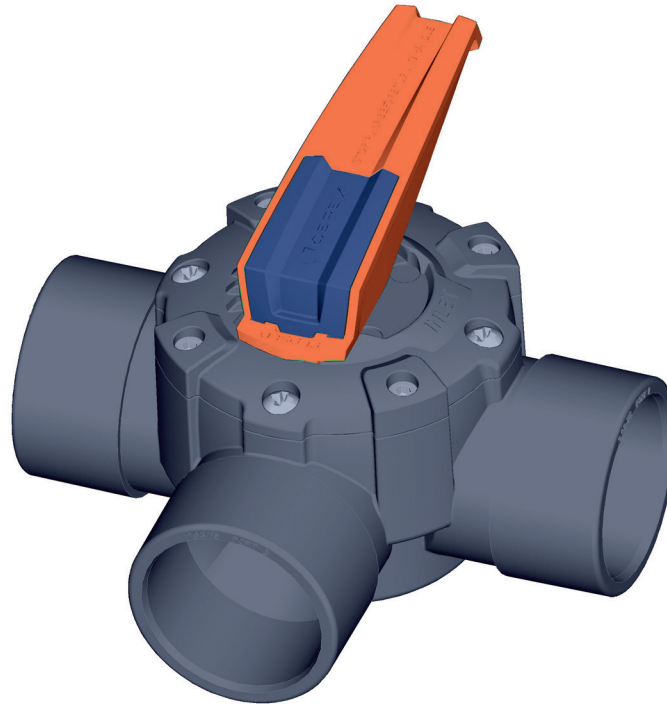


D	DN	REF.	CODE
63	50		
75	65	05 82 075 RA	09128
90	80	05 82 090 RA	09129
110	100	05 82 110 RA	09130
125	110	05 82 125 RA	09131
140	125	05 82 140 RA	09132
160	150	05 82 160 RA	09133
200	175	05 82 200 RA	09134
225	200	05 82 225 RA	09135

H (Industrial)	H (Standard)	H (Classic)
56	56	56
54	54	54
62	62	63
69	69	70
76	76	76
76	76	76
82	82	82
85	85	85
85	85	85

PVC-U ROTARY DISC VALVES

VÁLVULAS DE COMPUERTA ROTATORIA PVC-U



Sizes	Solvent cement D50(internal) - D63(external) Solvent cement D63(internal) - D75(external)	
Standards	Metric British standard ASTM	EN ISO 1452, EN ISO 15493 BS 4346-1 ASTM D 2467
Working pressure	@ 20°C (73°F) D50 - D75 (1¼" - 1½"): PN 6 (90 psi)	
Materials	O-rings: EPDM	Gasket: Silicone
Characteristics	<ul style="list-style-type: none"> • 2 & 3-way distribution valve. • Solvent inner connection to or solvent outer connection to pipe through end connectors. • Handle indicator of flow direction. • Closing pump position is not allowed under pressure. • Excellent flow characteristics. • Visual position indicator. • Always stop pump before turning handle. 	<ul style="list-style-type: none"> • Válvula distribuidora a 2 y 3 vías. • Posibilidad de conexionado interior encolado o conexionado encolado exterior a tubo mediante manguito de conexión. • Maneta indicadora del sentido del fluido. • No permite cerrar la boca de entrada del fluido. • Excelentes características de conducción. • Indicador visual de posición. • Antes de cambiar la posición de la válvula detenga siempre la bomba.
Certifications		

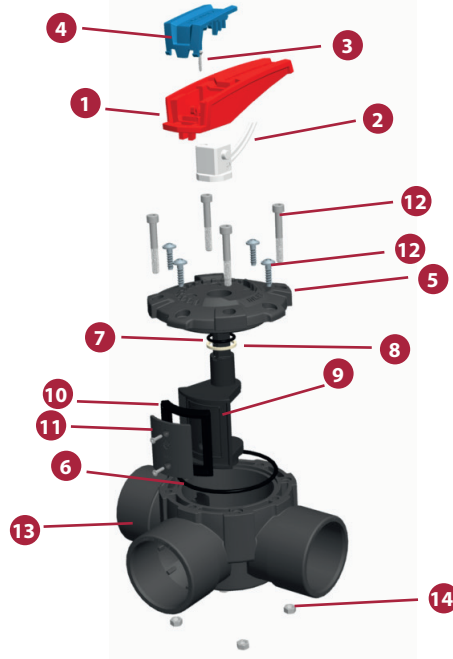
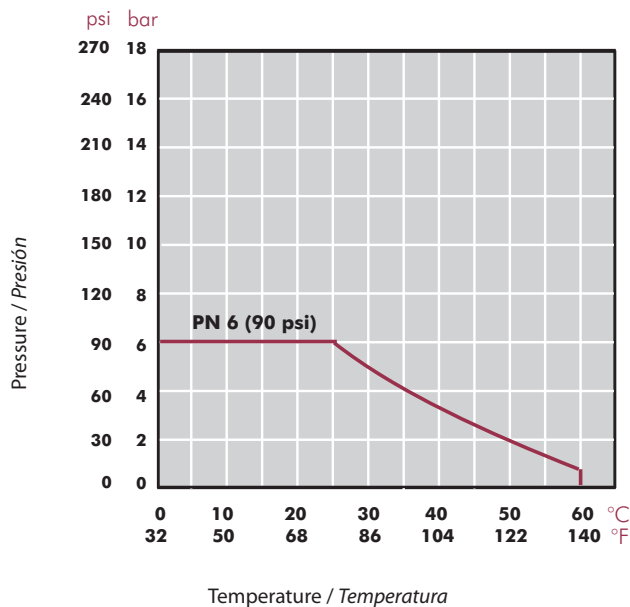


FIG.	Parts	Despiece	Material
1	Handle	Conjunto maneta	PP
2	Handle shaft	Eje palanca	POM
3	Handle retaining screw	Tornillo fijación maneta	AISI 304
4	Handle cover	Tapa maneta	PP
5	Valve lid (cover)	Tapa	PVC-U
6	Body O-ring	Junta cuerpo	EPDM
7	O-ring seal	Junta eje	EPDM
8	Shaft flat gasket	Junta plana eje	PTFE
9	Rotatory disc	Compuerta giratoria	PPO
10	Gasket	Junta compuerta	Silicone
11	Disc seal retainer	Brida junta compuerta	PPO
12	Cover retaining screws	Tornillos fijación tapa	AISI 304
13	Body	Cuerpo	PVC-U
14	Nuts	Tuercas	AISI 304

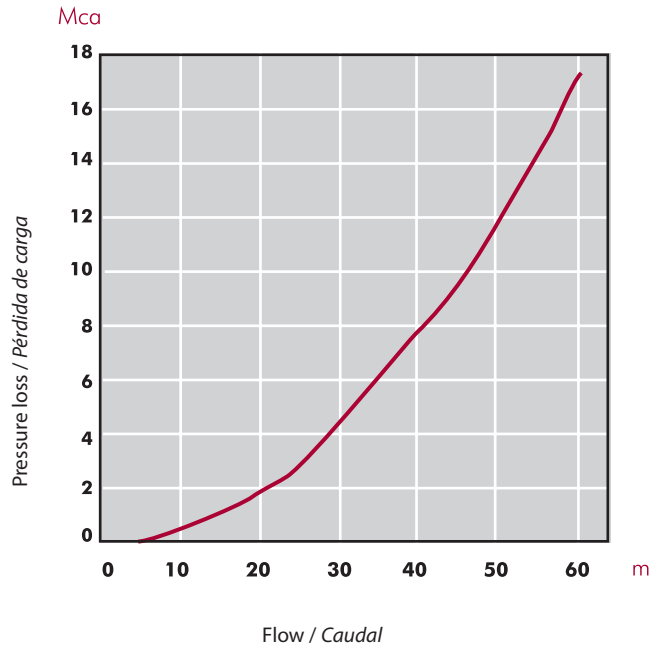
PRESSURE / TEMPERATURE GRAPH
DIAGRAMA PRESIÓN / TEMPERATURA



Life: 25 years
 Hydrostatic maximum pressure a component may withstand in continuous service (without overpressure)

Vida útil: 25 años
Presión hidrostática máxima que un componente es capaz de soportar en servicio continuo (sin sobrepresión)

PRESSURE LOSS DIAGRAM
DIAGRAMA DE PÉRDIDAS DE CARGA



WORKING DIAGRAM
ESQUEMA DE FUNCIONAMIENTO

	2 ways open 2 vías abiertas	2 ways open 2 vías abiertas	3 ways open 3 vías abiertas
Central Inlet Recommended position <i>Entrada central</i> Posición recomendada			
Left inlet It is needed to change the valve cover position <i>Entrada izquierda</i> Necesario cambiar la posición de la tapa de la válvula			
Right inlet It is needed to change the valve cover position <i>Entrada derecha</i> Necesario cambiar la posición de la tapa de la válvula			

INSTALLATION

Valves engineered for long lasting performance in pool- spa environments with distribution system designed to obtain optimum flow regulation on every port with easy handling. Three way valves allow: 2 ports open & 1 closed, or 3 ports open.

Installation

When plumbing up the valve use tested PVC-U cement (e.g. CEPEX).

Avoid excessive adhesive application. It might flow into the valve causing damage.

The 2-way valve body contains an arrow to indicate the normal direction of flow the body marked flow directional arrow.

Before starting the pump make sure the valve is in the desired position.

Service

The direction of the handle indicates which way is closed (CLOSED). In 3-way valves, inlet C (INLET) is the default inlet for the liquid. The inlet can be changed by dismounting the valve and changing the cover position as desired, always that the "INLET" mark corresponds with one of the inlets of the valve.

Nevertheless, the inlet should not be closed under any circumstances.

Always stop pump before turning handle!

The water acts as a lubricant. However we recommend lubricate the disc seal with any silicon grease once a year in order to avoid the sticking effect.

If you have to disassemble the valve top assembly proceed as follows:

Unscrew the stainless steel bolts.

Helped by a screwdriver lift the cover and remove the top assembly carefully, avoiding to damage the o-ring.

After you have done your work proceed with reassembly as follows:

Make sure the lubricated cover o-ring is placed on the top of the body, NOT around the valve top.

Match the assembly marks and press the valve top into the bottom until it "clicks in".

Tighten bolts with screwdriver. Overtighten bolts may cause damage to valve.

INSTALACIÓN

Válvulas concebidas para su uso en piscinas y spas, disponen de un sistema de distribución diseñado para facilitar la regulación óptima del flujo a cada salida con una gran facilidad de manejo. La válvula de tres vías permite: 2 vías abiertas y 1 cerrada o 3 vías abiertas.

Montaje

Al encolar la válvula use un adhesivo para PVC-U rígido de probada eficacia (p.e. "CEPEX").

Evite la aplicación excesiva de adhesivo que podría gotear al interior de la válvula causando daños a la misma.

El cuerpo de la válvula de 2 vías tiene una flecha que indica el sentido normal del flujo. Asegúrese de respetar dicho sentido al montar la válvula.

Antes de conectar la bomba asegúrese de que la válvula se encuentra en la posición deseada.

Instrucciones de servicio

La dirección de la maneta indica la vía que queda cerrada (CLOSED). En el caso de la versión de 3 vías, la boca C (INLET) es por defecto la boca de entrada del fluido. Es posible cambiar la boca de entrada desmontando la válvula y cambiando la orientación de la tapa según convenga, siempre que la señal "INLET" corresponda a una de las bocas.

En cualquier caso, la boca de entrada del fluido nunca debe cerrarse.

Antes de cambiar la posición de la válvula detenga siempre la bomba!

El propio fluido lubrica la válvula, pero se recomienda lubricar la junta de la compuerta cada año con una grasa de silicona para un funcionamiento óptimo evitando el efecto de adherencia.

Para desmontar la válvula, siga las instrucciones siguientes:

Afloje y retire los tornillos de acero inoxidable.

Con ayuda de un destornillador levante el conjunto Tapa-compuerta-maneta con cuidado de no dañar la junta.

Una vez realizada la operación vuelva a ensamblar la válvula como sigue:

Sitúe la junta tórica lubricada en el cuerpo de la válvula, NO en la tapa.

Busque las marcas de alineación en ambas partes de la válvula, encárelas y presione hasta que asienten correctamente. Coloque y apriete los tornillos de fijación. Un apriete excesivo de los tornillos puede provocar daños a la válvula.

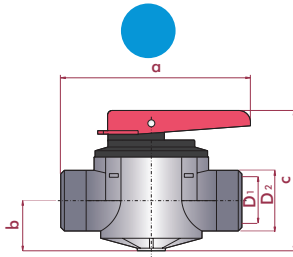
UP. 90. 2V - 2-WAY ROTARY DISC VALVE

2-way rotary disc valve

- PVC-U body
- Female/male solvent socket
- Metric series
- O-Rings in EPDM

Válvula de compuerta rotatoria de 2 vías

- Cuerpo en PVC-U
- Encolar hembra/macho
- Serie métrica
- Juntas en EPDM



D ₁ - D ₂	PN	REF.	CODE
50 - 63	6	05 90 720	16059

a	b	c
165	50	140

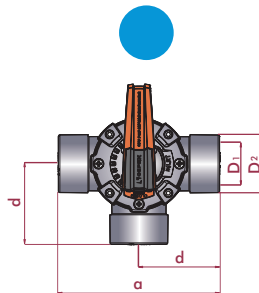
UP. 90. 3V. B - 3-WAY ROTARY DISC VALVE

3-way rotary disc valve

- PVC-U body
- Female/male solvent socket
- Metric series
- O-Rings in EPDM
- Gasket in Sillicone

Válvula de compuerta rotatoria de 3 vías

- Cuerpo en PVC-U
- Encolar hembra/macho
- Serie métrica
- Juntas en EPDM
- Junta compuerta silicona

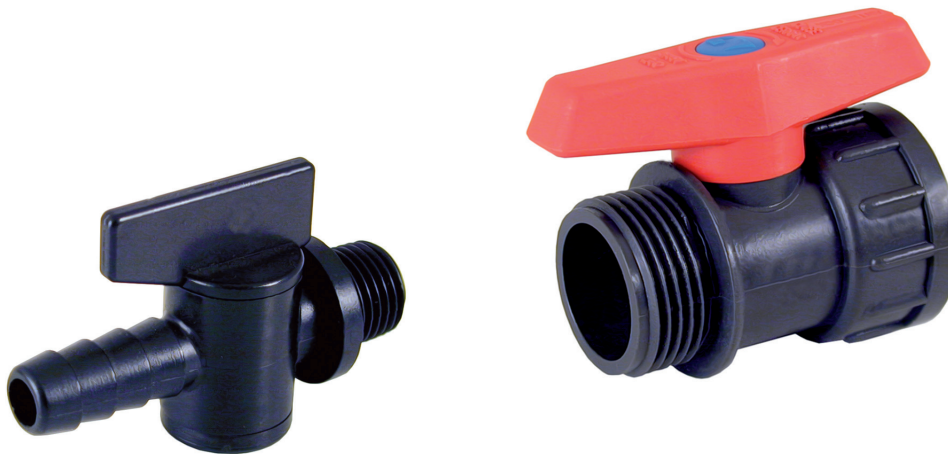


D ₁ - D ₂	PN	REF.	CODE
50 - 63	6	05 90 730	15765
63 - 75	6	05 90 740	41862

a	d
165	80
210	105

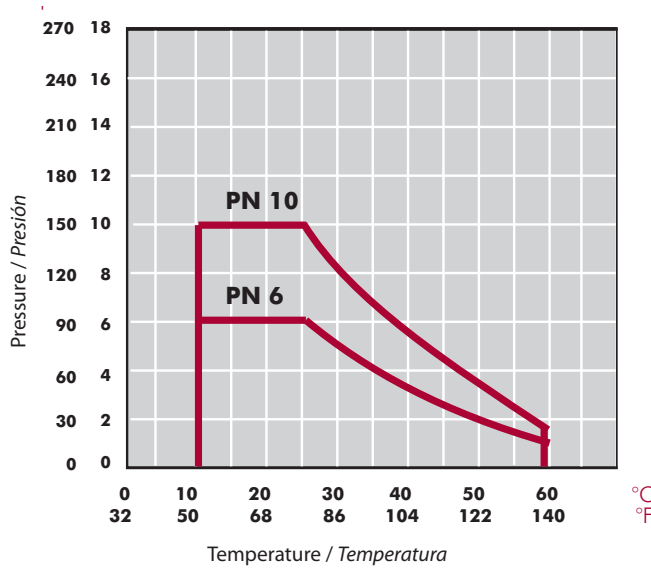
PVC-U AND ABS DRAIN VALVES

VÁLVULAS DE PURGA PVC-U Y ABS



Sizes	1/4" 3/4"	
Standards	Threaded - BSP	ISO 228-1
Working pressure	@ 20°C (73°F) 1/4": PN 6 (90 psi) 3/4": PN 10 (150 psi)	
Materials	O-rings: EPDM	
Characteristics	<ul style="list-style-type: none"> • Exclusive use in drain circuits. • Ball valve. • Compact body. • Available in ABS / PVC. • Connections to rigid pipe or PE flexible pipe. • Female threaded end connectors. 	<ul style="list-style-type: none"> • Utilizado exclusivamente en circuitos de purga. • Válvula de bola. • Cuerpo compacto. • Disponible en ABS / PVC. • Conexiones a tubo rígido o con espiga para manguera flexible de PE. • Sistema de conexionado roscar hembra.
Certifications		

PRESSURE / TEMPERATURE GRAPH
DIAGRAMA PRESIÓN / TEMPERATURA



Life: 25 years
Hydrostatic maximum pressure a component may withstand in continuous service (without overpressure)

Vida útil: 25 años
Presión hidrostática máxima que un componente es capaz de soportar en servicio continuo (sin sobrepresión)

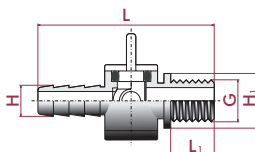
ABS. 90. MT - DRAIN VALVES

Drain valve

- ABS body
- BSP male thread
- Seating joint in HDPE
- O-rings in EPDM

Válvula de purga

- Cuerpo en ABS
- Roscar macho BSP
- Junta asiento bola en HDPE
- Juntas tóricas en EPDM



G	PN	REF.	CODE
¼"	6	05 90 612	11656

L	L ₁	H	H ₁
54	10	10	19

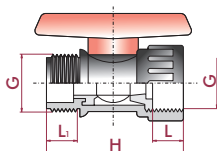
UP. 90. MT - DRAIN VALVES

Drain valve

- PVC-U body
- BSP male x female thread
- Seating joints in HDPE

Válvula de purga

- Cuerpo en PVC-U
- Roscar macho x hembra BSP
- Juntas asiento bola en HDPE



G	PN	REF.	CODE
¾"	10	05 90 625	02579

L	L ₁	H
12	12	50

PVC-U KNIFE GATE VALVES

VÁLVULAS DE GUILLOTINA PVC-U



Sizes	D50 - D63 (DN40 - DN50) 1½" - 2" D90 - D110 (DN80 - DN100)	
Standards	Solvent socket - Metric, ASTM, British standard Threaded - BSP, NPT	EN ISO 1452, EN ISO 15493, BS 4346-1, ASTM D 2467 ISO 228-1, ASTM D 2464
Working pressure	@ 20°C (73°F) D50 - D63 (1½" - 2"): MAX PRESSURE 3,5 (52,5 psi) D90 - D110 (2½" - 4"): MAX PRESSURE 1,5 (21,75 psi)	
Materials	Gasket: EPDM	
Characteristics	<ul style="list-style-type: none"> • Ideally suited for flow control using minimal piping space. • Available in grey color, and white color in american sizes. • Available connections (female solvent socket, male threaded & female threaded BSP or NPT and spigot connection to connect pipe with internal diameter 38mm). • Easy to open and close. • Light weight. • It is provided with the valve a safety clip to fix the valve in open position. • Specially indicated for swimming-pools and spas. 	<ul style="list-style-type: none"> • Su instalación requiere poco espacio. • Disponible en color gris, o en color blanco para medidas americanas. • Diferentes tipos de conexión (encolar hembra, rosca macho y hembra BSP o NPT y espiga para conexión a tubo D interior 38mm). • Facilidad de apertura y cierre. • Ligera. • Se suministra conjuntamente con la válvula un accesorio de seguridad para posicionar la válvula abierta. • Especialmente indicada para piscinas y spas.
Certifications		

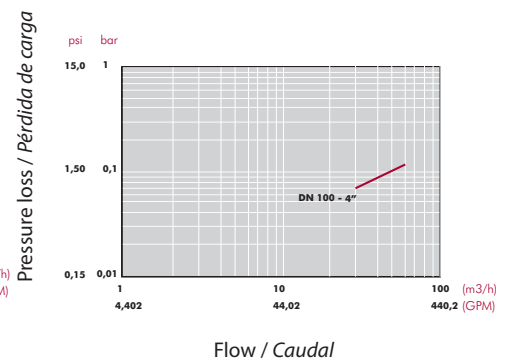
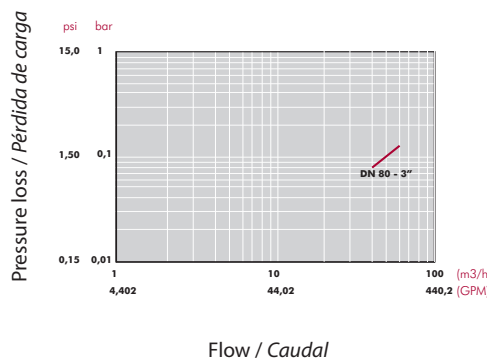
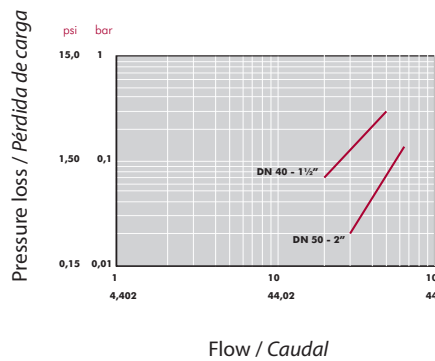
UNIONS / CONEXIONES

- 7.1 - Solvent socket / Encolar hembra
- 7.2 - Female thread / Rosca hembra
- 7.3 - Male thread / Rosca macho
- 7.4 - Spigot / Espiga



FIG.	Parts	Despiece	Material
1	Handle	Conjunto maneta	PVC-U
2	Clip	Clip	POM
3	Stem	Eje	AISI 304 Stainless steel
4	Body	Cuerpo	PVC-U
5	Valve disc	Compuerta	POM
6	Gasket	Junta compuerta	EPDM
7	End connector	Manguito enlace	PVC-U
8	Bolts	Tornillo	Stainless steel
9	Nut	Tuerca	Stainless steel

PRESSURE LOSS DIAGRAM
DIAGRAMA DE PÉRDIDAS DE CARGA



WARNINGS

Use only in installations where the maximum working pressure is 3,5 bar. In any case this value can be surpassed. Possible water hammer with fast closing and abrupt closing of the valve. Always remove the safety clip before closing the valve. Make a correct manipulation of the valve to avoid accidents.

ADVERTENCIAS

Utilizar en instalaciones con una presión máxima de trabajo de 3,5 bar. En ningún caso se puede superar este valor. Posible golpe de ariete con cierre rápido y brusco de la válvula. Retirar siempre el cierre de seguridad antes de cerrar la válvula. Realizar una manipulación correcta de la válvula para evitar accidentes.

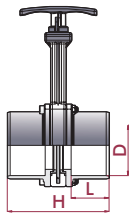
UP. 79. SF - KNIFE GATE VALVE

Knife gate valve

- PVC-U body
- Female solvent socket
- Metric series
- Gasket in EPDM

Válvula de guillotina

- Cuerpo en PVC-U
- Encolar hembra
- Serie métrica
- Junta compuerta en EPDM



D	P MAX	REF.	CODE
50 x 50	3,5	05 79 050	28590
63 x 63	3,5	05 79 063	28600
90 x 90	1,5	05 79 090	43577
110 x 110	1,5	05 79 110	43578

L	H
33	90
39	106
51,5	143
61,5	173

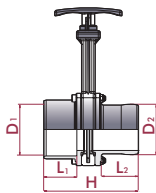
UP. 79. SFSPI - KNIFE GATE VALVE

Knife gate valve

- PVC-U body
- Female solvent socket x spigot connection
- Metric series
- Gasket in EPDM

Válvula de guillotina

- Cuerpo en PVC-U
- Encolar hembra x conexión espiga
- Serie métrica
- Junta compuerta en EPDM



D ₁ x D ₂	P MAX	REF.	CODE
50 x 50	3,5	05 79 150	28934
50 x 38	3,5	05 79 151	28935
63 x 63	3,5	05 79 163	28936

L ₁	L ₂	H
33	44	104
33	44	104
39	44	112

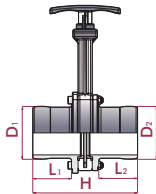
UP. 79. SPI - KNIFE GATE VALVE

Knife gate valve

- PVC-U body
- Spigot connection
- Metric series
- Gasket in EPDM

Válvula de guillotina

- Cuerpo en PVC-U
- Conexión espiga
- Serie métrica
- Junta compuerta en EPDM



D ₁ x D ₂	P MAX	REF.	CODE
38 x 38	3,5	05 79 438	31441
50 x 50	3,5	05 79 450	28598
50 x 38	3,5	05 79 451	28597
63 x 63	3,5	05 79 463	28607

L ₁	L ₂	H
44	44	119
44	44	119
44	44	119
44	44	119

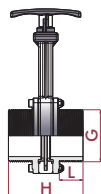
UP. 79. MT - KNIFE GATE VALVE

Knife gate valve

- PVC-U body
- Male thread
- Metric series
- Gasket in EPDM

Válvula de guillotina

- Cuerpo en PVC-U
- Roscar macho BSP
- Serie métrica
- Junta compuerta en EPDM



G	P MAX	REF.	CODE
1½" x 1½"	3,5	05 79 250	28595
2" x 2"	3,5	05 79 263	28605

L	H
20	72
27	85

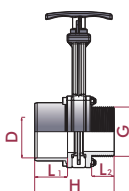
UP. 79. MTSF - KNIFE GATE VALVE

Knife gate valve

- PVC-U body
- Male thread union x Female solvent socket
- Metric series
- Gasket in EPDM

Válvula de guillotina

- Cuerpo en PVC-U
- Manguito rosca macho BSP x Encolar hembra
- Serie métrica
- Junta compuerta en EPDM



G x D	P MAX	REF.	CODE
1½" x 50	3,5	05 79 335	28937
2" x 63	3,5	05 79 336	28938

L ₁	L ₂	H
33	20	81
39	27	95

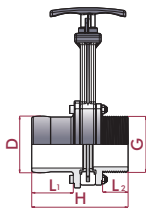
UP. 79. MTSPI - KNIFE GATE VALVE

Knife gate valve

- PVC-U body
- Male thread x spigot
- Metric series
- Gasket in EPDM

Válvula de guillotina

- Cuerpo en PVC-U
- Roscar macho BSP x conexión espiga
- Serie métrica
- Junta compuerta en EPDM



G x D	P MAX	REF.	CODE
1½" x 50	3,5	05 79 550	28939
1½" x 38	3,5	05 79 551	28940
2" x 63	3,5	05 79 563	28941

L ₁	L ₂	H
44	20	96
44	20	96
44	27	102

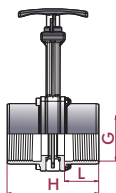
UP. 79. FT - KNIFE GATE VALVE

Knife gate valve

- PVC-U body
- Female thread
- Metric series
- Gasket in EPDM

Válvula de guillotina

- Cuerpo en PVC-U
- Roscar hembra
- Serie métrica
- Junta compuerta en EPDM



G	P MAX	REF.	CODE
1½" x 1½"	3,5	05 79 650	
2" x 2"	3,5	05 79 663	

L	H
33	90
39	106

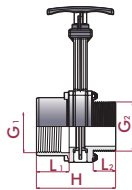
UP. 79. MFT - KNIFE GATE VALVE

Knife gate valve

- PVC-U body
- Female thread x Male thread
- Metric series
- Gasket in EPDM

Válvula de guillotina

- Cuerpo en PVC-U
- Roscar hembra x Roscar macho
- Serie métrica
- Junta compuerta en EPDM



G ₁ x G ₂	P MAX	REF.	CODE
1½" x 1½"	3,5	05 79 750	28942
2" x 2"	3,5	05 79 763	28943

L ₁	L ₂	H
33	20	81
39	27	95

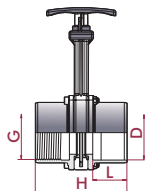
UP. 79. FTSF - KNIFE GATE VALVE

Knife gate valve

- PVC-U body
- Female thread x Female solvent socket
- Metric series
- Gasket in EPDM

Válvula de guillotina

- Cuerpo en PVC-U
- Roscar hembra x Encolar hembra
- Serie métrica
- Junta compuerta en EPDM



G x D	P MAX	REF.	CODE
1½" x 50	3,5	05 79 850	28944
2" x 63	3,5	05 79 863	28945

L	H
33	90
39	106

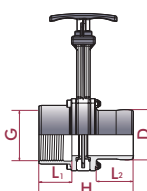
UP. 79. FTSPI - KNIFE GATE VALVE

Knife gate valve

- PVC-U body
- Female thread x spigot connection
- Metric series
- Gasket in EPDM

Válvula de guillotina

- Cuerpo en PVC-U
- Roscar hembra x conexión espiga
- Serie métrica
- Junta compuerta en EPDM



D x G	P MAX	REF.	CODE
50 x 1½"	3,5	05 79 950	28946
50 x 1½"	3,5	05 79 951	28947
63 x 2"	3,5	05 79 963	28948

L ₁	L ₂	H
33	44	104
33	44	104
39	44	112

PVC-U HYDRAULIC VALVE

VÁLVULA HIDRÁULICA PVC-U



Sizes	Solvent socket: D63 (DN50) / D90 (DN80) Threaded: 2" (DN50) / 3" (DN80)	
Standards	Solvent socket - Metric Threaded - BSP	EN ISO 1452, EN ISO 15493, ISO 228-1
Working pressure	@ 20°C (73°F) D63 (2"): PN 10 (150 psi) D90 (3"): PN 8 (120 psi)	
Minimum operating pressure	D63 (2"): 0,5 bar (7,5 psi) D90 (3"): 0,8 bar (12 psi)	
Materials	O-rings: EPDM	Diaphragm: NBR
Characteristics	<ul style="list-style-type: none"> • Closing of the valve by diaphragm. • Hydraulic operation. • 100% factory tested. • Valve closing is produced when water flows to the control chamber. • The opening is done when the fluid of the control chamber is released through a 3-way ball valve or through a solenoid. • Good mechanical strength. • Resistance to many inorganic chemicals. • Excellent flow characteristics. 	<ul style="list-style-type: none"> • Válvula de cierre por membrana. • Funcionamiento hidráulico. • Testadas al 100% en fábrica. • El cierre de la válvula se produce cuando el paso del agua es conducido a la cámara de control. • La apertura se realiza al ser liberado el líquido de dicha cámara por medio de una válvula de 3 vías (manual) o por medio de un solenoide (automático). • Buena resistencia mecánica. • Resistencia a múltiples sustancias químicas inorgánicas. • Excelentes características de conducción.
Certifications		

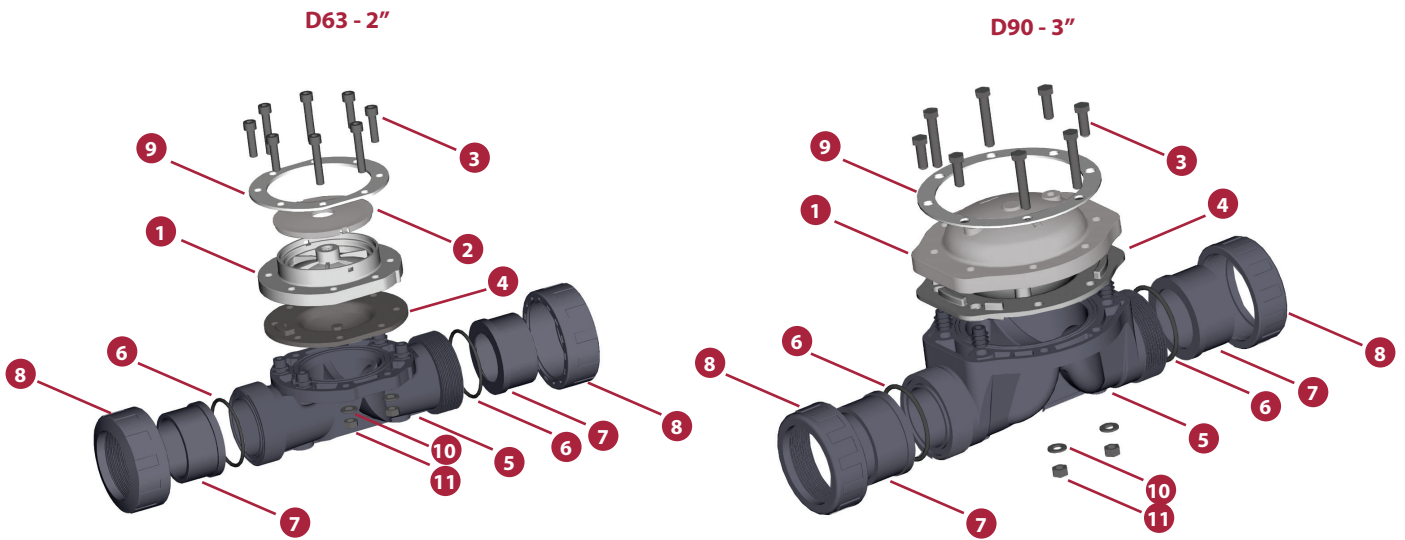
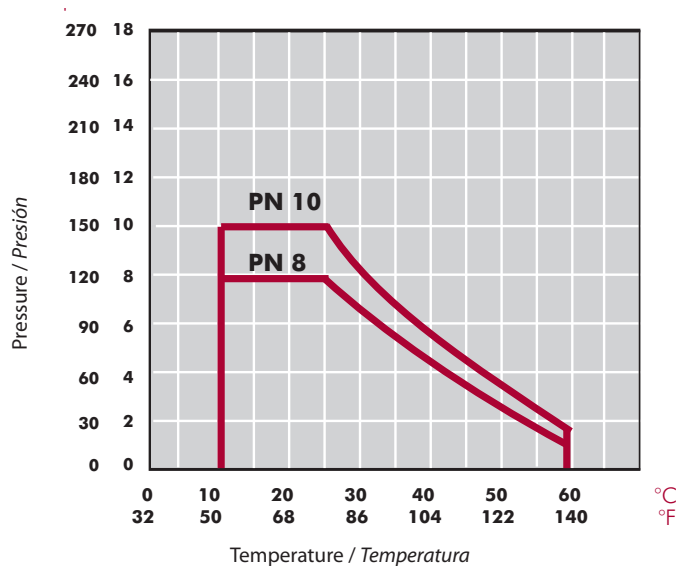


FIG.	Parts	Despiece	Material
1	Bonnet	Tapa cierre	PA + fiber glass
2	Ornamental cover	Tapa embellecedor	ABS
3	Bolts	Tornillo	Stainless steel
4	Diaphragm	Membrana	NBR
5	Body	Cuerpo	PVC-U
6	O-ring	Junta tórica	EPDM
7	End connector	Manguito	PVC-U
8	Nut	Tuerca	PVC-U
9	Reinforcement washer	Anillo refuerzo	Stainless steel
10	Sealing washers	Arandelas cierre	Stainless steel
11	Nuts	Tuercas	Stainless steel

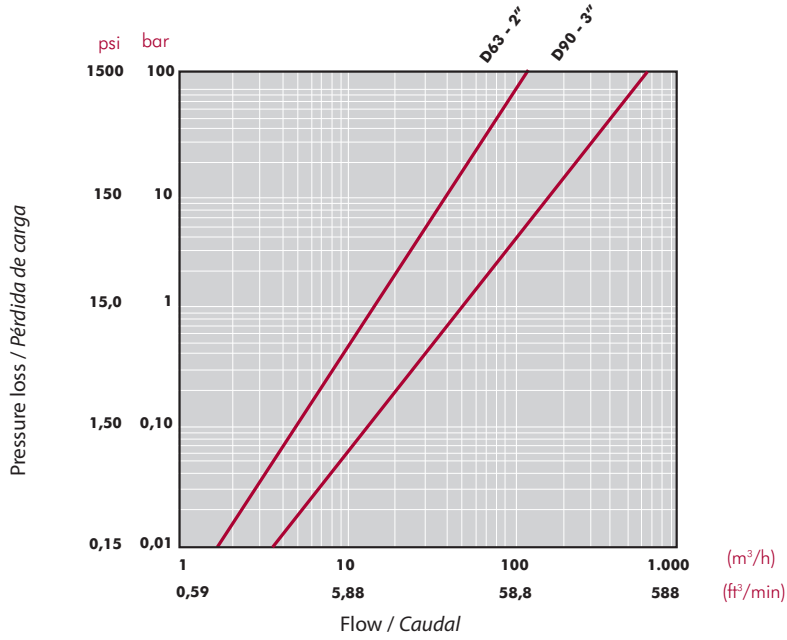
PRESSURE / TEMPERATURE GRAPH
DIAGRAMA PRESIÓN / TEMPERATURA



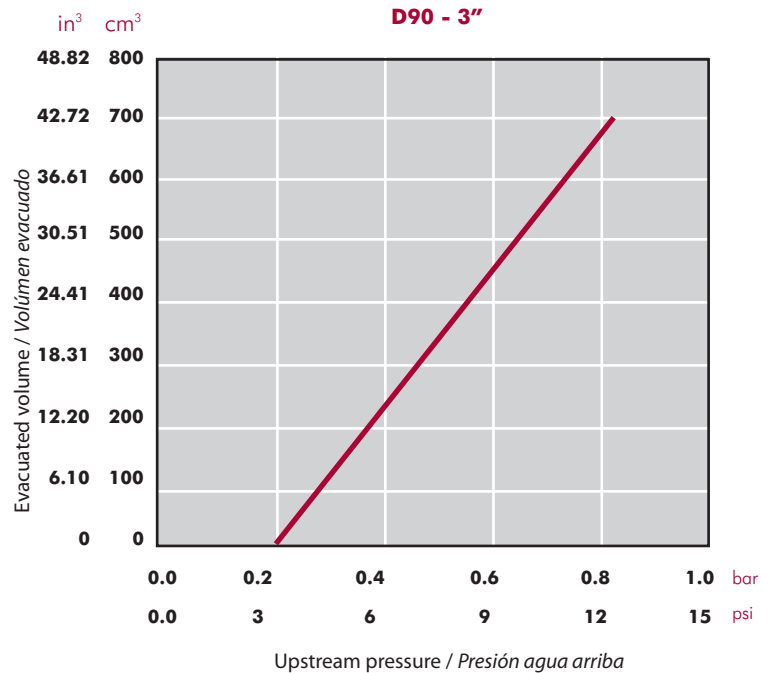
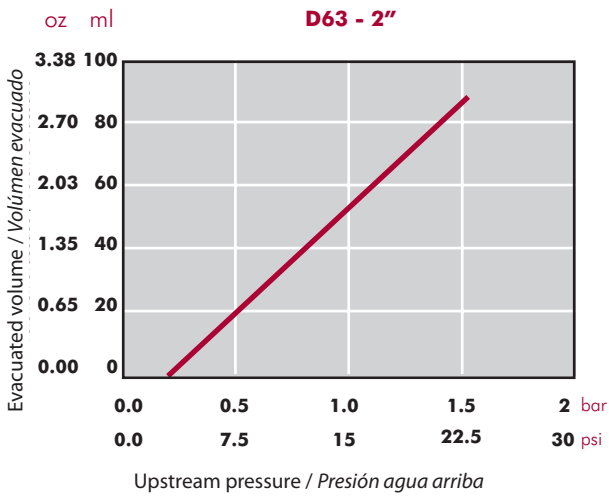
Life: 25 years
Hydrostatic maximum pressure a component may withstand in continuous service (without overpressure)

Vida útil: 25 años
Presión hidrostática máxima que un componente es capaz de soportar en servicio continuo (sin sobrepresión)

PRESSURE LOSS DIAGRAM
DIAGRAMA DE PÉRDIDAS DE CARGA



OPENING DEPENDING ON DOWNSTREAM PRESSURE
GRADO DE APERTURA EN FUNCIÓN DE LA PRESIÓN AGUAS ARRIBA



(Downstream pressure = Atmospheric pressure)
(Presión aguas bajo = Presión atmosférica)

INSTALLATION

Installation on PVC-U pipes

The valve is easy to install by means of a solvent socket with end connectors (7). No pipe cutting is required to dismount the body once it is installed.

Valve operation

The valve body and the bonnet contain 1/4" BSP threaded holes to connect the various fittings required for the valve functions (e.g., solenoid valve, reducer, holder, etc.).

INSTALACIÓN

Instalación en tuberías de PVC-U

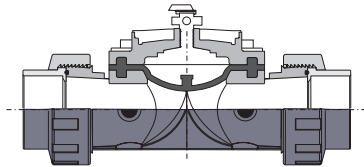
La válvula es de fácil instalación. La unión es encolada y se realiza por medio de manguitos (7). Una vez instalada, permite el desmontaje del cuerpo sin necesidad de cortar tubos.

Funcionamiento de la válvula

El cuerpo de la válvula y la tapa cierre van provistos de taladros roscados 1/4" BSP para poder conectar los elementos necesarios para las distintas funciones de la válvula (ej:electroválvula, reductora, sostenedora, etc...).

A. Cross-section of basic valve

The valve can be fitted to hydraulic, pneumatic and electric components. The normal valve position is closed.

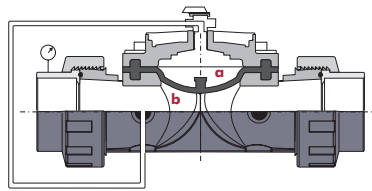


A. Sección de la válvula básica

La válvula permite la adaptación de componentes hidráulicos, neumáticos y eléctricos. La posición de reposo es cerrada.

B. Operating principle

Cross-section "a" is larger than cross-section "b". Whenever the line pressure is at least 0.6 kg/cm², the pressure exerted on the diaphragm by the fluid in the upper chamber will keep the valve closed.

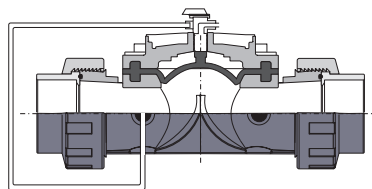


B. Principio de funcionamiento

La sección "a" es mayor que la sección "b". Si hay fluido a una presión mínima de 0,6 kg/cm² en la línea, la presión ejercida sobre la membrana por el fluido de la cámara superior hace que la válvula permanezca cerrada.

C. Open valve

When the chamber drain is opened and no fluid is allowed to enter, the line fluid pushes the diaphragm, causing the valve to open (see minimum opening pressure chart).

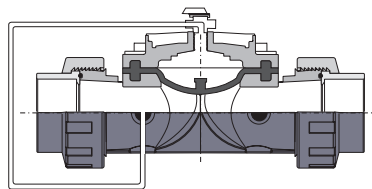


C. Válvula abierta

Al abrir el drenaje de la cámara y no permitirse el acceso de fluido a la misma, el fluido de la línea vence la membrana, haciendo que la válvula se abra (ver gráfico de presión mínima de apertura).

D. Control of opening and closing

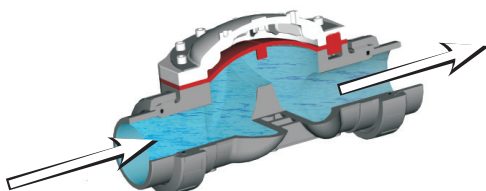
A small three-way valve can be used to control the presence or absence of pressure in the upper chamber, causing the valve to close or open.



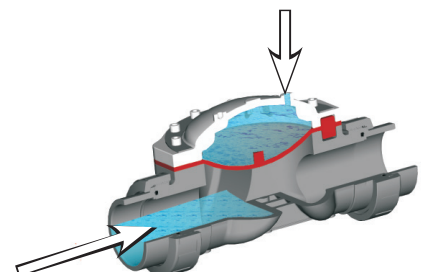
D. Control de apertura y cierre

Mediante una pequeña válvula de tres vías podemos controlar la presencia o ausencia de presión en la cámara superior, haciendo así que la válvula esté cerrada o abierta.

Open
Abierto



Closed
Cerrado



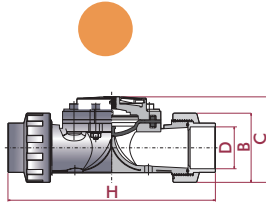
UP. 71. SF1 - HYDRAULIC VALVE

Hydraulic valve D63

- PVC-U body
- Female solvent socket
- Metric series
- Diaphragm in NBR

Válvula hidráulica D63

- Cuerpo en PVC-U
- Encolar hembra
- Serie métrica
- Membrana en NBR



D	PN	REF.	CODE	H	B	C
63	10	05 71 063	11462	310	104	129

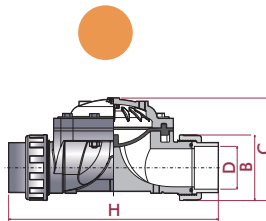
UP. 71. SF2 - HYDRAULIC VALVE

Hydraulic valve D90

- PVC-U body
- Female solvent socket
- Metric series
- Diaphragm in NBR

Válvula hidráulica D90

- Cuerpo en PVC-U
- Encolar hembra
- Serie métrica
- Membrana en NBR



D	PN	REF.	CODE	H	B	C
90	8	05 71 090	27500	441	138	215

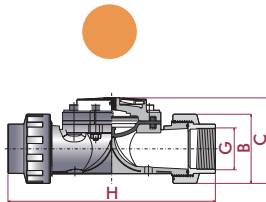
UP. 71. FT1 - HYDRAULIC VALVE

Hydraulic valve 2"

- PVC-U body
- Female thread
- Metric series
- Diaphragm in NBR

Válvula hidráulica 2"

- Cuerpo en PVC-U
- Roscar hembra
- Serie métrica
- Membrana en NBR



G	PN	REF.	CODE	H	B	C
2"	10	05 71 663	28407	310	104	129

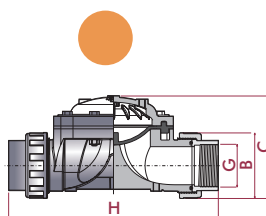
UP. 71. FT2 - HYDRAULIC VALVE

Hydraulic valve 3"

- PVC-U body
- Female thread
- Metric series
- Diaphragm in NBR

Válvula hidráulica 3"

- Cuerpo en PVC-U
- Roscar hembra
- Serie métrica
- Membrana en NBR

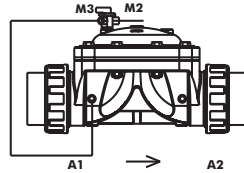


G	PN	REF.	CODE	H	B	C
3"	8	05 71 690	28409	441	138	215

OPTIONS

The basic valve can be assembled in different versions depending on the concrete needs of the installation, for example:

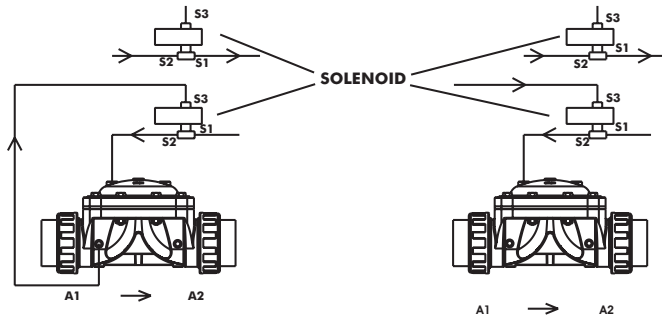
Basic hydraulic valve: manual control of the camera using a 3-way ball valve.



CODE - 30821

Hydraulic valve with solenoid: manual control of the camera using a 3-way ball valve with solenoid.

Internal pilotage
Pilotaje interno

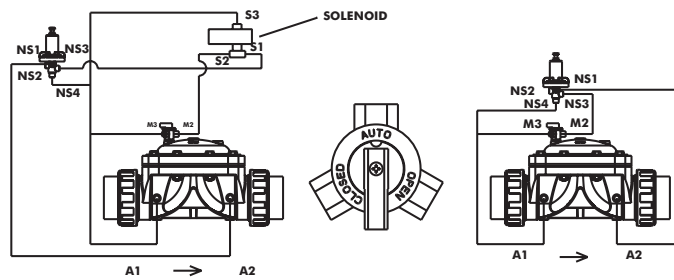


External pilotage
Pilotaje externo

CODE - 30822

Pressure control valve with hydraulic pilotage with or without solenoid. This version is used to regulate the pressure down stream limiting the working pressure. The adjustment is made using the superior screw of the pilot.

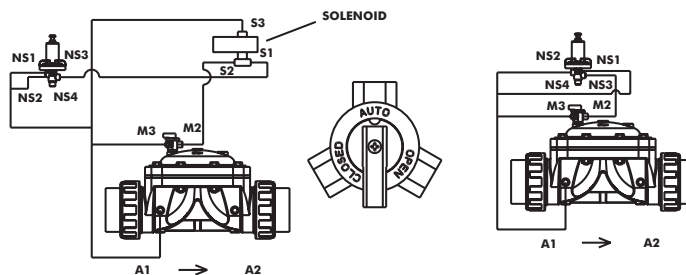
Reductora de presión con pilotaje hidráulico con o sin solenoide. Se utilizan para regular la presión aguas abajo limitando la presión de trabajo. El ajuste se realiza por medio del tornillo superior del piloto.



CODE - 30823
CODE - 30824 (w/ solenoid)

Pressure sustaining valve with hydraulic pilotage with or without solenoid. This version is used to regulate the pressure up stream assuring the minimal working pressure. The adjustment is made using the superior screw of the pilot.

Sostenedora de presión con pilotaje hidráulico con o sin solenoide. Se utilizan para regular la presión aguas arriba asegurando la presión mínima de trabajo. El ajuste se realiza por medio del tornillo superior del piloto.



CODE - 30823
CODE - 30824 (w/ solenoid)

UP. 71. KIT1 - CONVERSION KIT HYDRAULIC VALVE

Conversion kit for basic hydraulic valve

Kit conversión en válvula hidráulica básica

REF.	CODE
05 71 063 CH	30821

UP. 71. KIT2 - CONVERSION KIT HYDRAULIC VALVE

Conversion kit for hydraulic valve with solenoid

Kit conversión para válvula hidráulica con electroválvula

REF.	CODE
05 71 063 CE	30822

UP. 71. KIT3 - CONVERSION KIT HYDRAULIC VALVE

Conversion kit for hydraulic valve: pressure sustaining or pressure control valve

Kit conversión para válvula hidráulica sostenedora o reguladora de presión

REF.	CODE
05 71 063 CRP	30823

UP. 71. KIT4 - CONVERSION KIT HYDRAULIC VALVE

Conversion kit for hydraulic valve: solenoid pressure sustaining or pressure control valve

Kit conversión para válvula hidráulica sostenedora o reguladora de presión con electroválvula

REF.	CODE
05 71 063 CEP	30824

PVC-U ANGLE SEAT REGULATOR VALVE

VÁLVULA DE ASIENTO INCLINADO REGULADORA PVC-U



Sizes	Solvent socket: D20 (DN15) Threaded: ½" (DN15)	
Standards	Solvent socket - Metric Threaded - BSP	EN ISO 1452, EN ISO 15493 ISO 228-1
Working pressure	@ 20°C (73°F) D20 (½"): PN 16 (240 psi)	
Materials	O-rings: EPDM (FPM optional)	
Characteristics	<ul style="list-style-type: none"> • Flow rate regulator valve. • 100% factory tested. • A cone closing system on top of an EPDM O-Ring. • Connections: 3 pieces union, solvent female, solvent male and male threaded. • Minimal pressure drop. • Easy disassembling. • Shaft with a graduated to regulate valve position. 	<ul style="list-style-type: none"> • Válvula reguladora de caudal. • Testadas al 100% en fábrica. • Sistema de cierre por cono sobre junta en EPDM. • Conexiones 3 piezas, encolar hembra, encolar macho y roscar macho. • Baja pérdida de carga. • Fácil desmontaje. • Eje con escala graduada para regular mejor la posición.
Certifications		

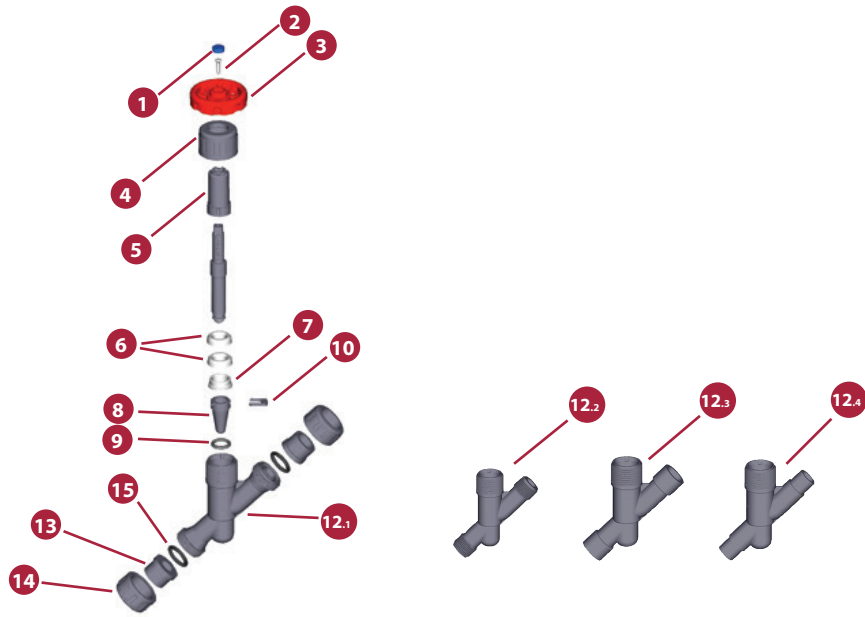
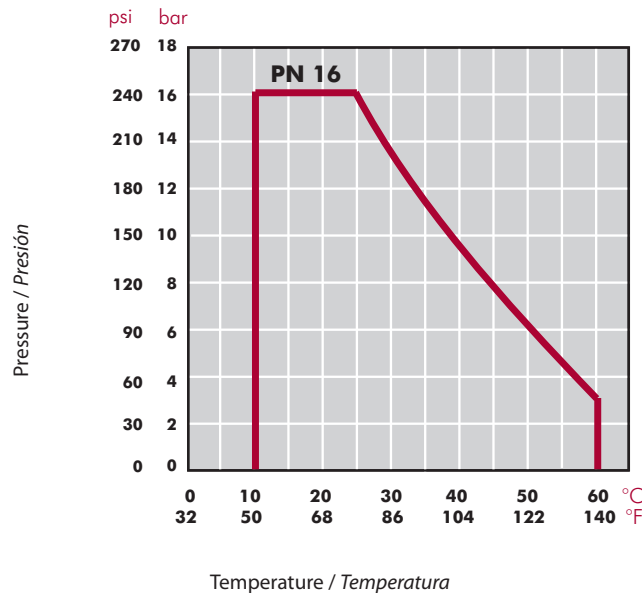


FIG.	Parts	Despiece	Material
1	Plug	Tapón	PP
2	Bolt	Tornillo	Stainless steel
3	Handwheel	Volante	ABS
4	Bonnetnut	Tuerca	PVC-U
5	Bonnet	Prensa retén	PVC-U
6	Sealing rings	Juntas retén	HDPE
7	Sealing stop	Tope retén	PVC-U
8	Conical seat	Asiento cónico	PVC-U
9	Sealing gasket	Junta cierre	HDPE
10	Safety pin	Pasador seguro	PVC-U
11	Stem	Eje	PVC-U
12	Body	Cuerpo	PVC-U
13	End connector	Manguito	PVC-U
14	Union nut	Tuerca	PVC-U
15	O-ring	Junta tórica	EPDM

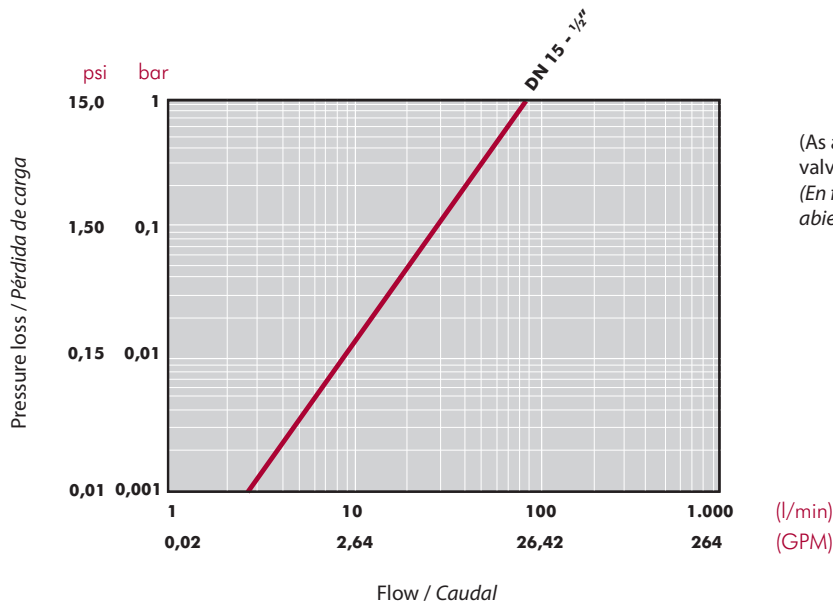
PRESSURE / TEMPERATURE GRAPH
DIAGRAMA PRESIÓN / TEMPERATURA



Life: 25 years
 Hydrostatic maximum pressure a component may withstand in continuous service (without overpressure)

Vida útil: 25 años
 Presión hidrostática máxima que un componente es capaz de soportar en servicio continuo (sin sobrepresión)

PRESSURE LOSS DIAGRAM
DIAGRAMA DE PÉRDIDAS DE CARGA



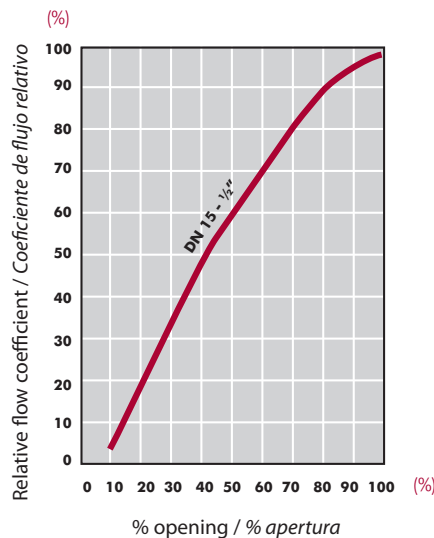
(As a function of flow reate w/open valve)
(En función del caudal c/válvula abierta)

RELATIVE FLOW
FLUJO RELATIVO

D	20
DN	15
Kv100	90
Cv	6,3

$Cv = Kv_{100} / 14,28$
 Kv_{100} (l/min, $\Delta p = 1$ bar)
 Cv (GPM, $\Delta p = 1$ psi)

PERFORMANCE CHART
GRÁFICA DE RENDIMIENTO



End connections

Always position the valve with the arrow pointing in the direction of flow.
There are several options for valve mounting on the line:
(12.1) Three-piece
(12.2) Male threaded
(12.3) Female solvent socket
(12.4) Male solvent socket

Conexiones al sistema

Orientar la válvula teniendo en cuenta la flecha que indica el sentido del flujo.
La válvula ofrece varios sistemas de montaje a la línea:
(12.1) Por medio de unión tres piezas
(12.2) Unión rosca macho
(12.3) Unión para encolar hembra
(12.4) Unión para encolar macho

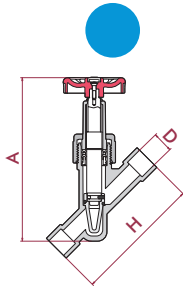
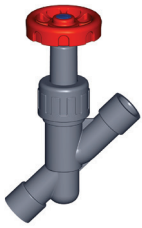
UP. 75. SF - ANGLE SEAT REGULATOR VALVE

Angle seat regulator valve

- PVC-U body
- Female solvent socket
- Metric series
- O-Rings in EPDM

Válvula de asiento inclinado reguladora

- Cuerpo en PVC-U
- Encolar hembra
- Serie métrica
- Juntas en EPDM



D	DN	PN	REF.	CODE
20	15	16	05 75 020	22884

H	A
124	158

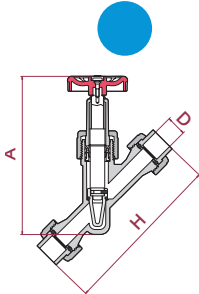
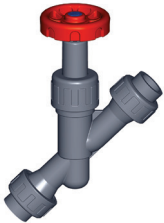
UP. 75. 3SF - ANGLE SEAT REGULATOR VALVE

Angle seat regulator valve

- PVC-U body
- 3 pieces union
- Female solvent socket
- Metric series
- O-Rings in EPDM

Válvula de asiento inclinado reguladora

- Cuerpo en PVC-U
- Enlace 3 piezas
- Encolar hembra
- Serie métrica
- Juntas en EPDM



D	DN	PN	REF.	CODE
20	15	16	05 75 120	22885

H	A
164	158

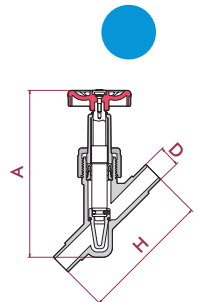
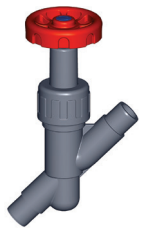
UP. 75. SM - ANGLE SEAT REGULATOR VALVE

Angle seat regulator valve

- PVC-U body
- Male solvent socket
- Metric series
- O-Rings in EPDM

Válvula de asiento inclinado reguladora

- Cuerpo en PVC-U
- Encolar macho
- Serie métrica
- Juntas en EPDM



D	DN	PN	REF.	CODE
20	15	16	05 75 220	22886

H	A
124	158

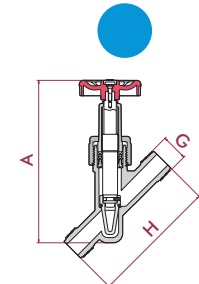
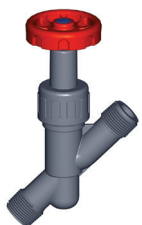
UP. 75. MT - ANGLE SEAT REGULATOR VALVE

Angle seat regulator valve

- PVC-U body
- BSP male thread
- O-Rings in EPDM

Válvula de asiento inclinado reguladora

- Cuerpo en PVC-U
- Roscar macho BSP
- Juntas en EPDM



G	DN	PN	REF.	CODE
3/4"	15	16	05 75 425	22887

H	A
124	158

PVC-U ANGLE SEAT CHECK VALVE

VÁLVULA ASIENTO INCLINADO ANTIRETORNO PVC-U



Sizes	Solvent socket: D20 (DN15) Threaded: 1/2" (DN15)	
Standards	Solvent socket - Metric Threaded - BSP	EN ISO 1452, EN ISO 15493 ISO 228-1
Working pressure	@ 20°C (73°F) D20 (1/2"): PN 16 (240 psi)	
Materials	O-rings: EPDM (FPM optional)	
Characteristics	<ul style="list-style-type: none"> • Check valve. • For using vertically. • 100% factory tested. • The valve has an internal counterweight that works by gravity. • Minimal pressure drop. • Easy disassembling. • Connections: 3 pieces union, solvent female, solvent male and male threaded. 	<ul style="list-style-type: none"> • Válvula anti-retorno. • Funcionamiento en posición vertical. • Testadas al 100% en fábrica. • La válvula lleva incorporado un contrapeso interno que funciona por gravedad. • Baja pérdida de carga. • Desmontaje fácil. • Sistema de conexionado 3 piezas, encolar hembra, encolar macho y rosca macho.
Certifications		

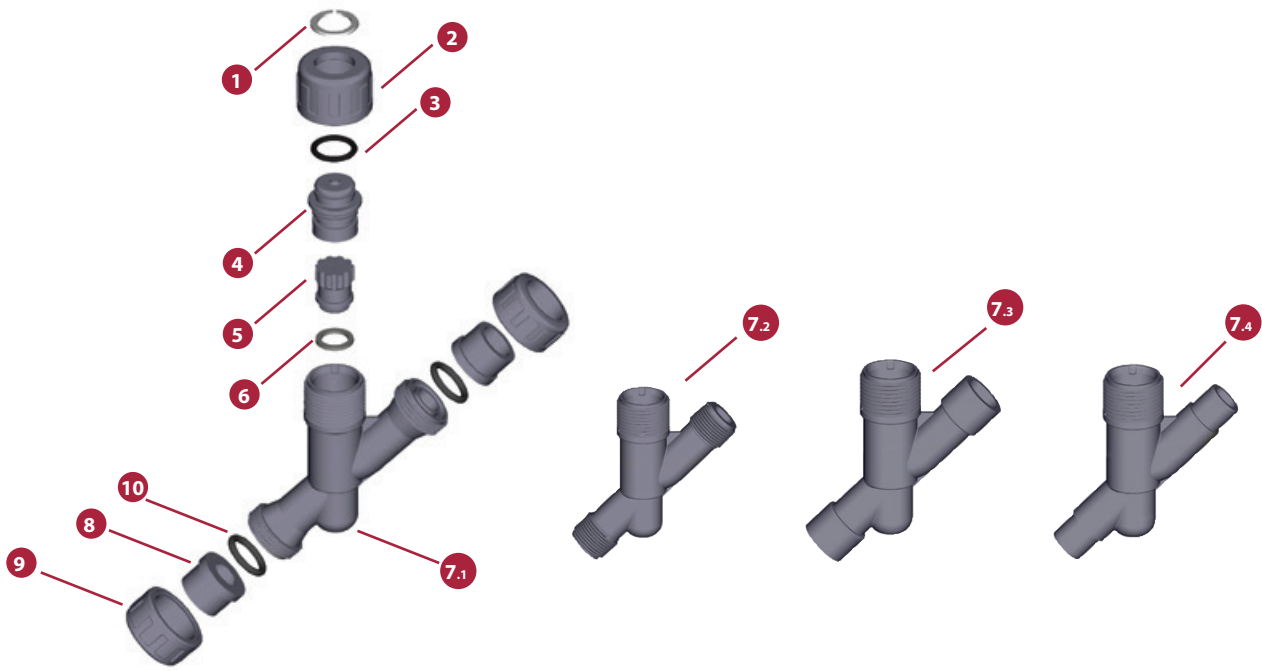
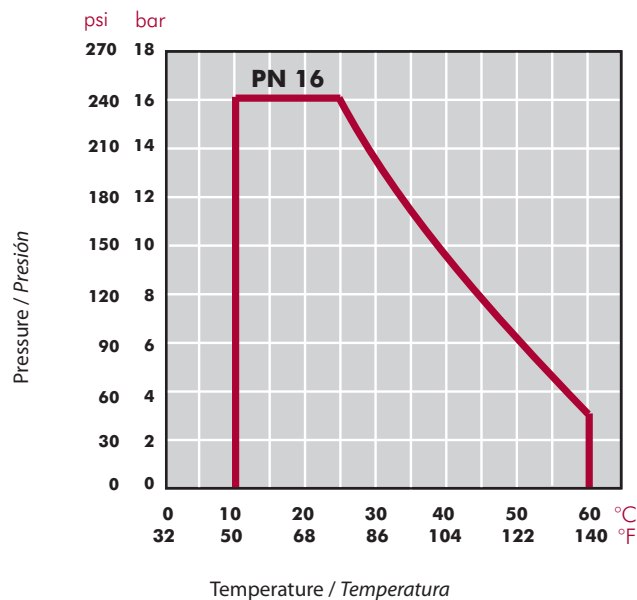


FIG.	Parts	Despiece	Material
1	Safety ring	Anillo seguro	PVC-U
2	Nut	Tuerca	PVC-U
3	O-ring	Junta tórica	EPDM / FPM
4	Plug	Tapón	PVC-U
5	Disc bonnet	Eje entretorno	PVC-U
6	Disc	Junta plana	EPDM / FPM
7	Body	Cuerpo	PVC-U
8	End connector	Manguito	PVC-U
9	Nut	Tuerca	PVC-U
10	O-ring	Junta tórica	EPDM

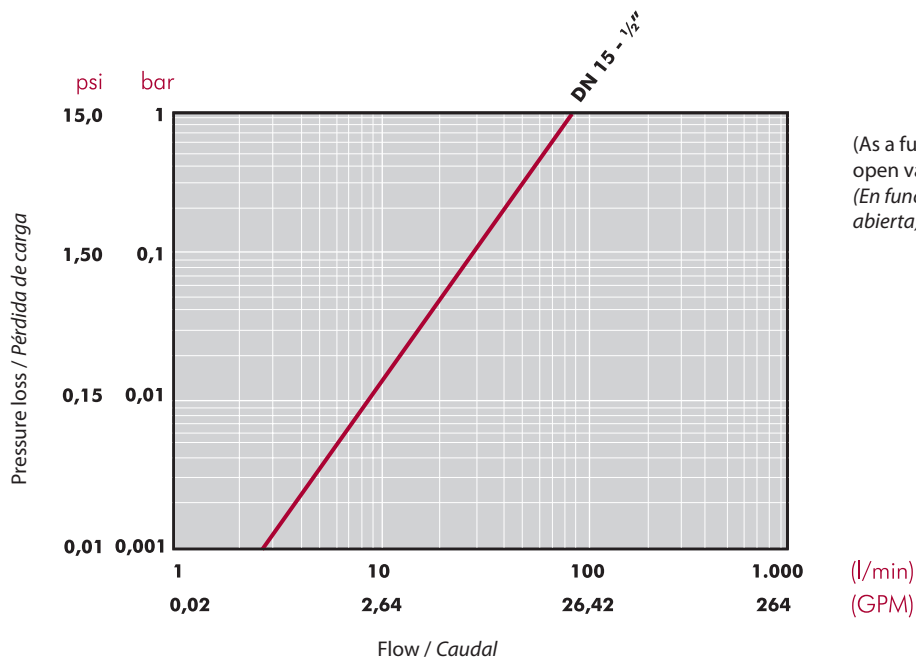
PRESSURE / TEMPERATURE GRAPH
DIAGRAMA PRESIÓN / TEMPERATURA



Life: 25 years
 Hydrostatic maximum pressure a component may withstand in continuous service (without overpressure)

Vida útil: 25 años
 Presión hidrostática máxima que un componente es capaz de soportar en servicio continuo (sin sobrepresión)

PRESSURE LOSS DIAGRAM
DIAGRAMA DE PÉRDIDAS DE CARGA



(As a function of flow reate w/
open valve)
(En función del caudal c/válvula
abierta)

RELATIVE FLOW
FLUJO RELATIVO

D	20
DN	15
Kv100	90
Cv	6,3

$Cv = Kv_{100} / 14,28$
 Kv_{100} (l/min, $\Delta p = 1$ bar)
 Cv (GPM, $\Delta p = 1$ psi)

End connections

Always position the valve with the arrow pointing in the direction of flow.

There are several options for valve mounting on the line:

- (7.1) Three-piece
- (7.2) Male threaded
- (7.3) Female solvent socket
- (7.4) Male solvent socket

Conexiones al sistema

Orientar la válvula teniendo en cuenta la flecha que indica el sentido del flujo.

La válvula ofrece varios sistemas de montaje a la línea:

- (7.1) Por medio de unión tres piezas
- (7.2) Unión rosca macho
- (7.3) Unión para encolar hembra
- (7.4) Unión para encolar macho

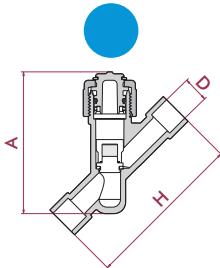
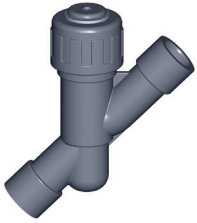
UP. 77. SF - ANGLE SEAT CHECK VALVE

Angle seat check valve

- PVC-U body
- Female solvent socket
- Metric series
- O-Rings in EPDM

Válvula de asiento inclinado anti-retorno

- Cuerpo en PVC-U
- Encolar hembra
- Serie métrica
- Juntas en EPDM



D	DN	PN	REF.	CODE
20	15	16	05 77 020	22889

H	A
124	109

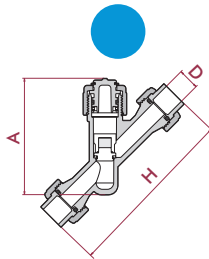
UP. 77. 3SF - ANGLE SEAT CHECK VALVE

Angle seat check valve

- PVC-U body
- 3 pieces union
- Female solvent socket
- Metric series
- O-Rings in EPDM

Válvula de asiento inclinado anti-retorno

- Cuerpo en PVC-U
- Enlace 3 piezas
- Encolar hembra
- Serie métrica
- Juntas en EPDM



D	DN	PN	REF.	CODE
20	15	16	05 77 120	22890

H	A
164	109

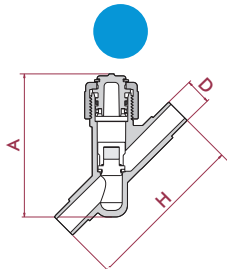
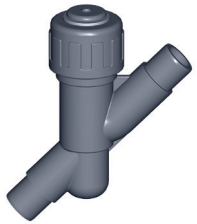
UP. 77. SM - ANGLE SEAT CHECK VALVE

Angle seat check valve

- PVC-U body
- Male solvent socket
- Metric series
- O-Rings in EPDM

Válvula de asiento inclinado anti-retorno

- Cuerpo en PVC-U
- Encolar macho
- Serie métrica
- Juntas en EPDM



D	DN	PN	REF.	CODE
20	15	16	05 77 220	22891

H	A
124	109

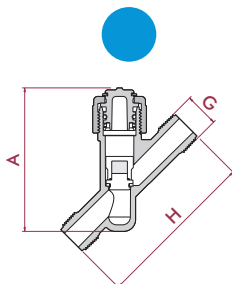
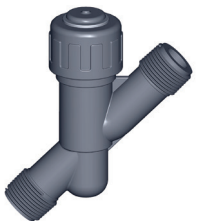
UP. 77. MT - ANGLE SEAT CHECK VALVE

Angle seat check valve

- PVC-U body
- BSP male thread
- O-Rings in EPDM

Válvula de asiento inclinado anti-retorno

- Cuerpo en PVC-U
- Roscar macho BSP
- Juntas en EPDM



G	DN	PN	REF.	CODE
3/4"	15	16	05 77 425	22892

H	A
124	109

PVC-U LINE STRAINER

FILTRO EN LÍNEA PVC-U



Sizes	Solvent socket: D20 (DN15) Threaded: ½" (DN15)	
Standards	Solvent socket - Metric Threaded - BSP	EN ISO 1452, EN ISO 15493 ISO 228-1
Working pressure	@ 20°C (73°F) D20 (½"): PN 16 (240 psi)	
Materials	O-rings: EPDM (FPM optional)	
Characteristics	<ul style="list-style-type: none"> • Line strainer. • 4 mm² mesh. • It is used to retain little stones or particles that can get into the circuit. • 100% factory tested. • Minimal pressure drop. • Easy disassembling. • Connections: 3 pieces union, solvent female, solvent male and male threaded. • The filter has to be assembled so that the body faces downwards. This makes cleaning easier through the down cap. 	<ul style="list-style-type: none"> • Filtro. • Tamiz de 4 mm². • Se utiliza para retener pequeñas piedras u objetos que puedan entrar en el circuito. • Testadas al 100% en fábrica. • Baja pérdida de carga. • Desmontaje fácil. • Sistema de conexionado 3 piezas, encolar hembra, encolar macho y rosca macho. • El filtro debe montarse de manera que el cuerpo quede hacia abajo. De esta forma se facilita su limpiado por medio del tapón inferior.
Certifications		

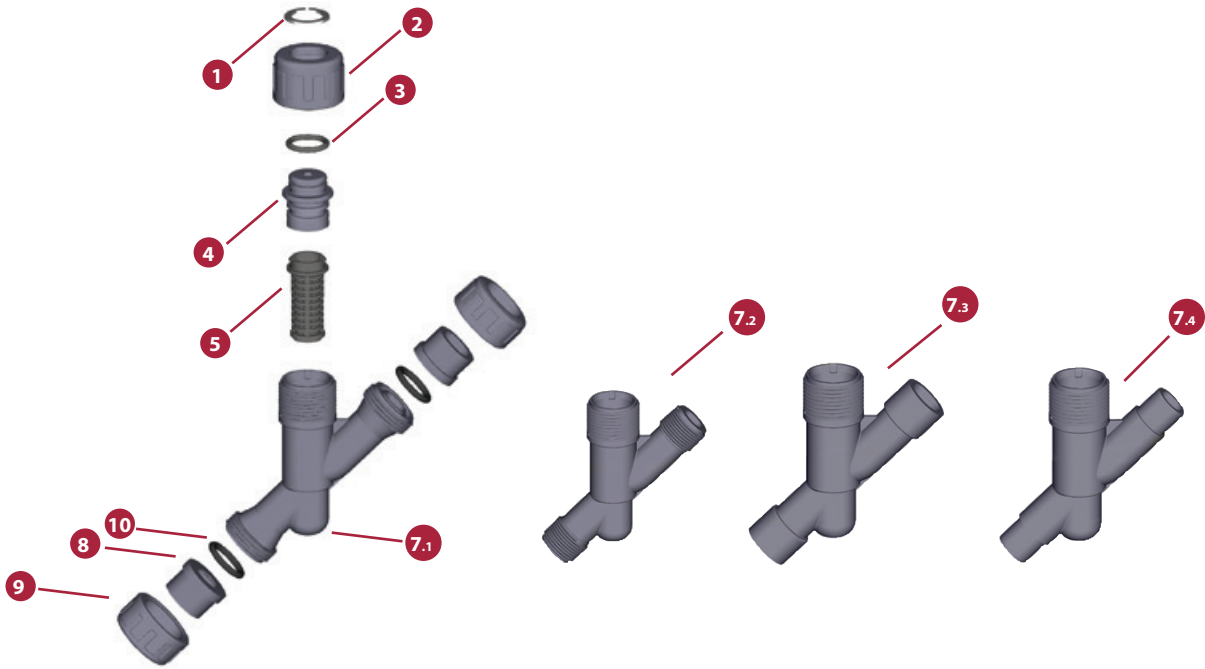
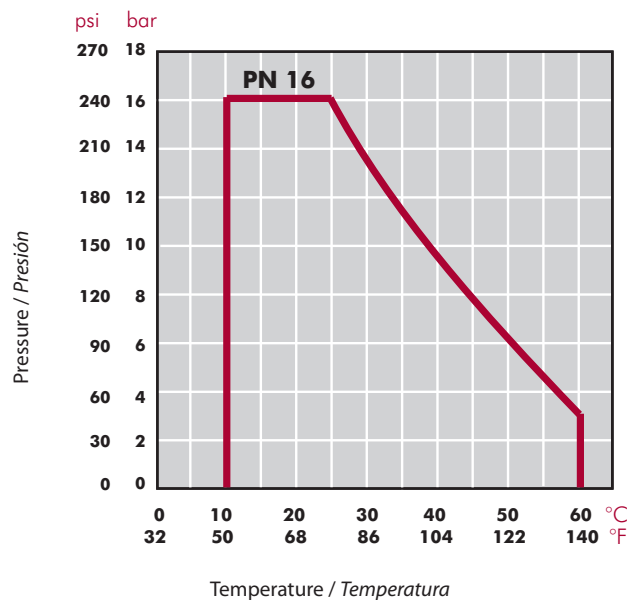


FIG.	Parts	Despiece	Material
1	Safety ring	Anillo seguro	PVC-U
2	Nut	Tuerca	PVC-U
3	O-ring	Junta tórica	EPDM / FPM
4	Plug	Tapón	PVC-U
5	Screen	Rejilla	PP
7	Body	Cuerpo	PVC-U
8	End connector	Manguito	PVC-U
9	Nut	Tuerca	PVC-U
10	O-ring	Junta tórica	EPDM / FPM

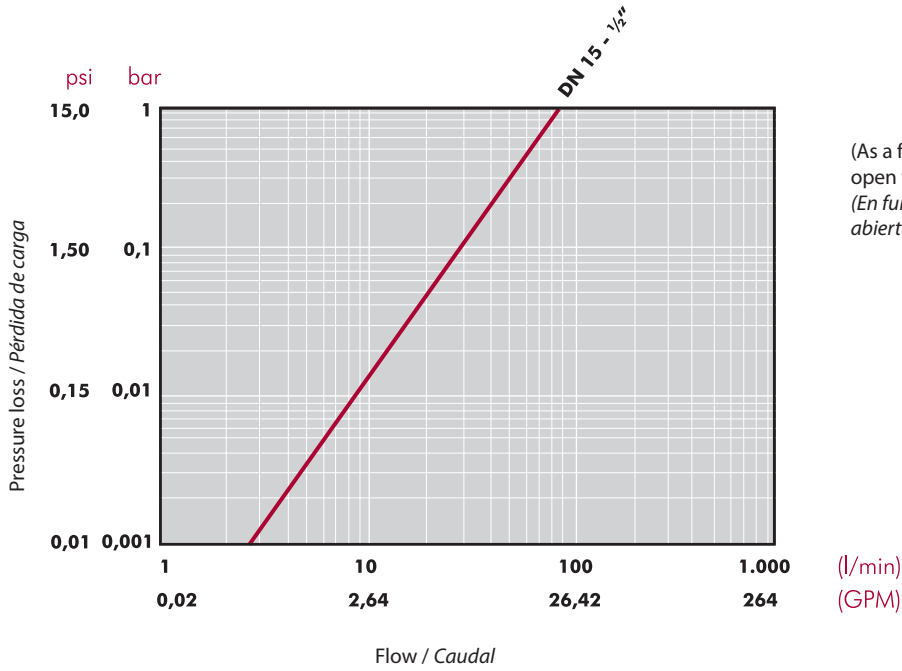
PRESSURE / TEMPERATURE GRAPH
DIAGRAMA PRESIÓN / TEMPERATURA



Life: 25 years
 Hydrostatic maximum pressure a component may withstand in continuous service (without overpressure)

Vida útil: 25 años
 Presión hidrostática máxima que un componente es capaz de soportar en servicio continuo (sin sobrepresión)

PRESSURE LOSS DIAGRAM
DIAGRAMA DE PÉRDIDAS DE CARGA



(As a function of flow reate w/
open valve)
(En función del caudal c/válvula
abierta)

RELATIVE FLOW
FLUJO RELATIVO

D	20
DN	15
Kv100	90
Cv	6,3

$Cv = Kv_{100} / 14,28$
 Kv_{100} (l/min, $\Delta p = 1$ bar)
 Cv (GPM, $\Delta p = 1$ psi)

End connections

Always position the valve with the arrow pointing in the direction of flow. The line strainer body must be pointing downward.

There are several options for line strainer mounting:

- (7.1) Three-piece
- (7.2) Male screwed
- (7.3) Female socket weld
- (7.4) Male socket weld

No dismounting is required for maintenance of the line strainer once it is installed.

Conexiones al sistema

Orientar el filtro teniendo en cuenta la flecha que indica el sentido del flujo. El cuerpo del filtro debe quedar hacia abajo.

El filtro ofrece varios sistemas de montaje a la línea:

- (7.1) Por medio de unión tres piezas
- (7.2) Unión rosca macho
- (7.3) Unión para encolar hembra
- (7.4) Unión para encolar macho

El filtro permite efectuar el mantenimiento sin tener que desmontar el cuerpo.

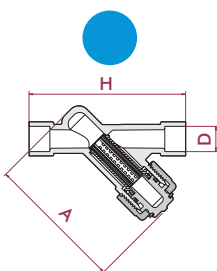
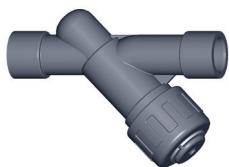
UP. 76. SF - LINE STRAINER

Line strainer

- PVC-U body
- Female solvent socket
- Metric series
- O-Rings in EPDM

Filtro en línea

- Cuerpo en PVC-U
- Encolar hembra
- Serie métrica
- Juntas en EPDM



D	DN	PN	REF.	CODE
20	15	16	05 76 020	25713

H	A
124	109

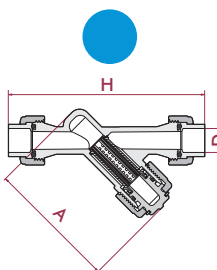
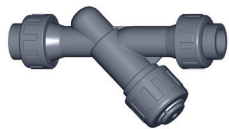
UP. 76. 3SF - LINE STRAINER

Line strainer

- PVC-U body
- 3 pieces union
- Female solvent socket
- Metric series
- O-Rings in EPDM

Filtro en línea

- Cuerpo en PVC-U
- Enlace 3 piezas
- Encolar hembra
- Serie métrica
- Juntas asiento en EPDM



D	DN	PN	REF.	CODE
20	15	16	05 76 120	25714

H	A
164	109

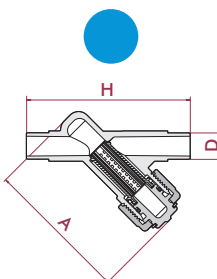
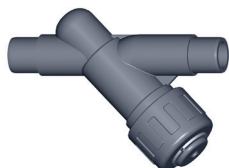
UP. 76. SM - LINE STRAINER

Line strainer

- PVC-U body
- Male solvent socket
- Metric series
- O-Rings in EPDM

Filtro en línea

- Cuerpo en PVC-U
- Encolar macho
- Serie métrica
- Juntas en EPDM



D	DN	PN	REF.	CODE
20	15	16	05 76 220	25715

H	A
124	109

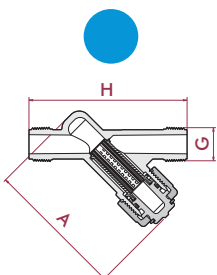
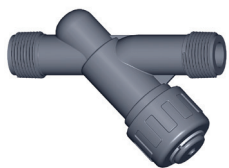
UP. 76. MT - LINE STRAINER

Line strainer

- PVC-U body
- BSP male thread
- O-rings in EPDM

Filtro en línea

- Cuerpo en PVC-U
- Roscar macho BSP
- Juntas en EPDM



G	DN	PN	REF.	CODE
3/4"	15	16	05 76 425	25716

H	A
124	109

PVC-U AIR RELIEF VALVE
VÁLVULA DE VENTOSA PVC-U



Sizes	Threaded: 1½" BSP	
Standards	Threaded - BSP	ISO 228-1
Working pressure	@ 20°C (73°F) 1½": PN 12 (180 psi)	
Materials	O-rings: EPDM	
Characteristics	<ul style="list-style-type: none"> • Double effect function: this valve extracts the air of pipes while these fill with the fluid and it protects of the pipe crushing allowing the entrance of the atmospheric air to the minimum depression. • Specially indicated in facilities with slope changes and facilities with large sections (500 m or more). • Prevention of cavitation. 	<ul style="list-style-type: none"> • Función doble efecto: extrae el aire de las tuberías mientras éstas se llenan con el fluido y las protege del aplastamiento permitiendo la entrada del aire atmosférico a la mínima depresión. • Utilizada como elemento de seguridad en sistemas de conducción de fluidos. • Especialmente indicada en instalaciones con cambios de pendiente y en instalaciones con tramos largos (500 m o más) o con múltiples cambios de dirección del fluido. • Elimina cavitaciones en el sistema.
Certifications		

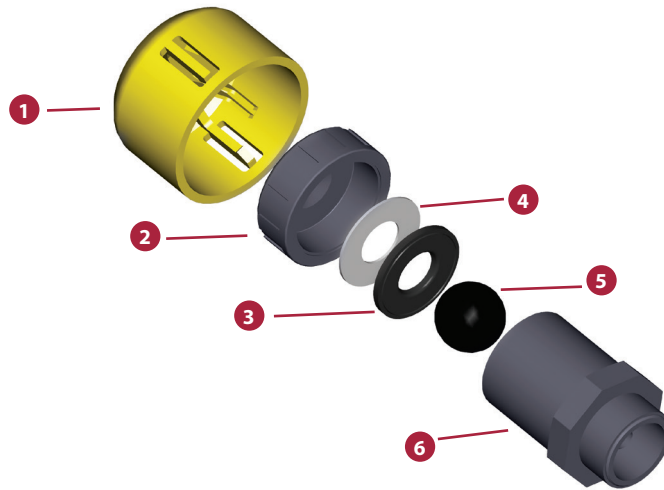
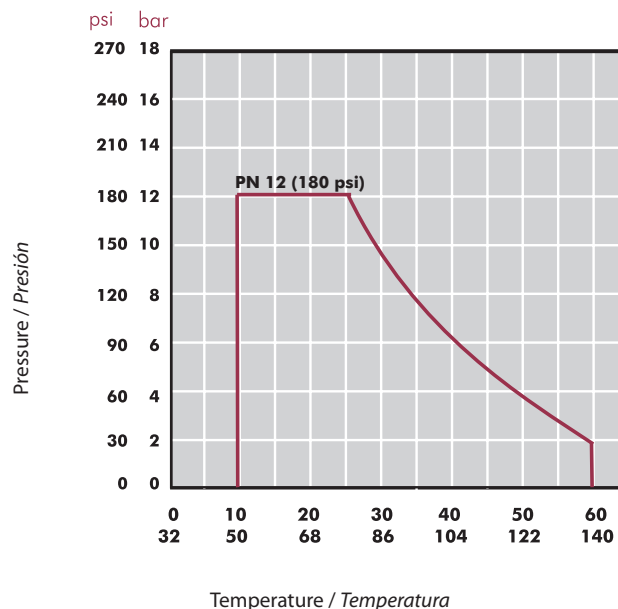


FIG.	Parts	Despiece	Material
1	Cap	Tapón	PP
2	Union nut	Tuerca	PVC-U
3	O-ring	Junta	EPDM
4	Disc of friction	Disco fricción	POM
5	Ball	Bola	PP
6	Body	Cuerpo	PVC-U

PRESSURE / TEMPERATURE GRAPH
DIAGRAMA PRESIÓN / TEMPERATURA



Life: 25 years
 Hydrostatic maximum pressure a component may withstand in continuous service (without overpressure)

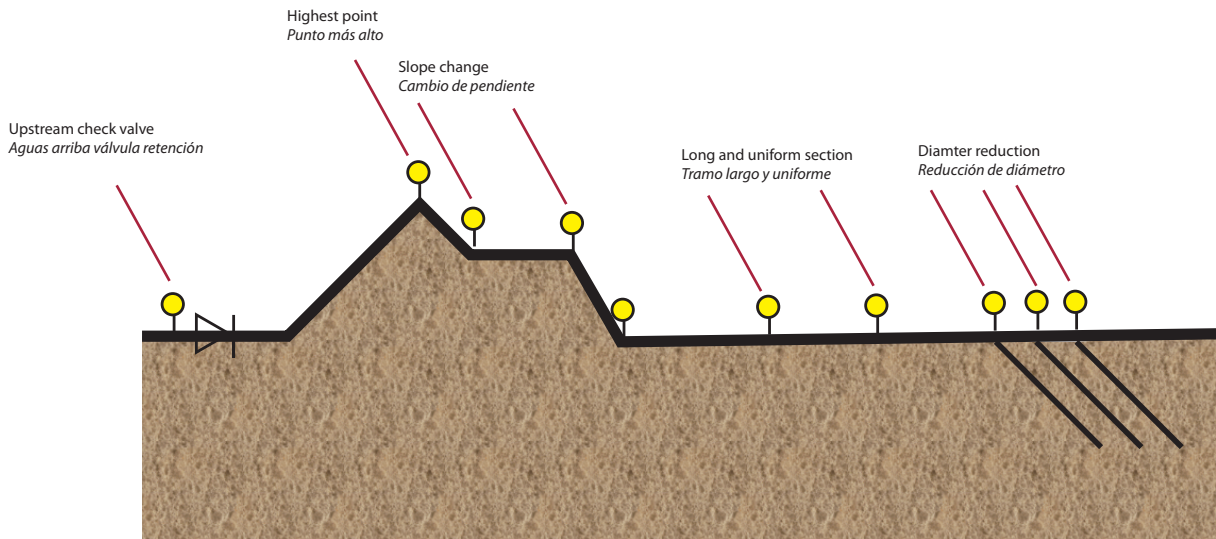
Vida útil: 25 años
Presión hidrostática máxima que un componente es capaz de soportar en servicio continuo (sin sobrepresión)

WORKING AND INSTALLATION

The mission of the air/vacuum relief valve is to introduce or to evacuate air from a system. When air is present within a pipe, it can block the flow of the fluid and it can even create water hammers. Pipe can also suffer from flattening because of the lack of air (vacuum).

The air/vacuum relief valve must be installed carefully, by installing it in elevated places, long and uniform sections, slope changes, reductions of diameter, upstream from check valves or downstream from any pressure reduction point.

**INSTALLATION EXAMPLES
EJEMPLOS DE INSTALACIÓN**

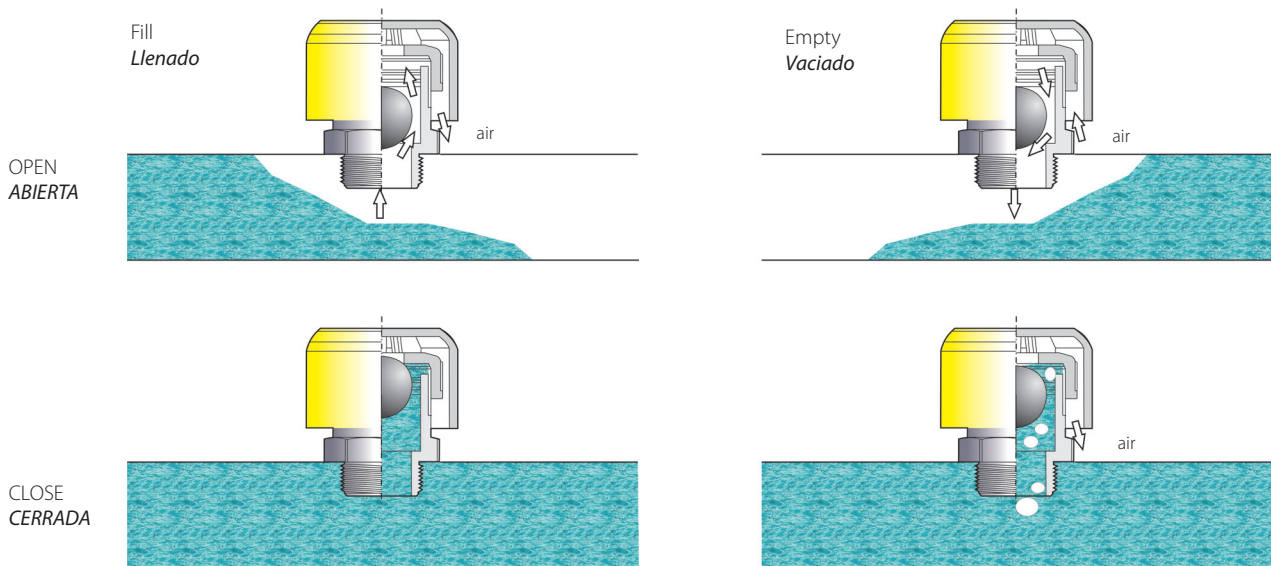


FUNCIONAMIENTO E INSTALACIÓN

La misión de la válvula de ventosa es introducir o evacuar aire de un sistema. Es muy corriente que el aire dentro de una tubería, interrumpa el paso del fluido y hasta puede crear golpes de ariete. También puede ser que una tubería sufra daños por aplastamiento por falta de aire (depresión).

La instalación de la válvula de ventosa debe ser muy precisa, teniendo que colocarse en puntos elevados, tramos largos y uniformes, cambios de pendiente, reducciones de diámetro, aguas arriba de las válvulas de retención o aguas abajo de un punto con reducción de presión.

**WORKING
FUNCIONAMIENTO**



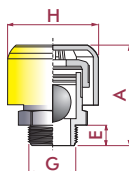
UP. 90. DE - AIR RELIEF VALVE

Air/vacuum relief valve

- PVC-U body
- Double action
- Joint in EPDM

Válvula de ventosa

- Cuerpo en PVC-U
- Doble efecto
- Junta en EPDM



G	DN	PN	REF.	CODE
1½"	40	12	05 90 850	22803

E	H	A
21	92	102

ACTUATED VALVES
VÁLVULAS ACTUADAS

10

BALL VALVES [IND] SERIES ELECTRICALLY ACTUATED	279
BALL VALVES [IND] SERIES PNEUMATICALLY ACTUATED	288
BALL VALVES INDUSTRIAL SERIES ELECTRICALLY ACTUATED	305
BALL VALVES INDUSTRIAL SERIES PNEUMATICALLY ACTUATED	314
BUTTERFLY VALVES INDUSTRIAL SERIES ELECTRICALLY ACTUATED	331
BUTTERFLY VALVES INDUSTRIAL SERIES PNEUMATICALLY ACTUATED	340
BALL VALVES 3-WAY SERIES ELECTRICALLY ACTUATED	357
BALL VALVES 3-WAY SERIES PNEUMATICALLY ACTUATED	364
ACCESSORIES FOR ACTUATORS	370
ROTARY DISC VALVES ELECTRICALLY ACTUATED	377

SELECTING ACTUATED VALVES SELECCIÓN DE VÁLVULAS ACTUADAS

Electric actuation
Actuación eléctrica



Characteristics
Características

Torque limiter
Limitador de par

Visual position indicator
Indicador visual de posición

Options
Opciones

Safety block
Bloque de seguridad

Digital Positioning System
Sistema posicionador digital

Pneumatic actuation
Actuación neumática



Accessories
Accesorios

Electrovalve
Electroválvula

Limit switch-box
Finales de carrera

Relief regulators
Reguladores de escape

Spring return
Simple efecto

Double acting
Doble efecto

Concept
&
typical application

- The actuator operates by means of a motor switched on by electrical signals.
- No need for compressed air installation neither electrovalve.
- Indicated for applications with one or few actuators.
- Operation time medium/high (min. 12 s), effective to avoid water hammers.
- Reduced weight and dimensions.
- Integrated accessories: visual position indicator, manual control, torque limiter, anti-condensation device (J+J), open-close volt free contacts.
- Optional accessories: safety block, digital positioning system.
- Not indicated for environments with explosion possibilities, very wet or saline ones.
- Life: 5.000 guaranteed cycles.

Concepto
y
aplicaciones típicas

- El actuador funciona mediante un motor accionado por señales eléctricas.
- No requiere instalación de aire comprimido ni electroválvula.
- Indicado cuando se requieran uno o pocos actuadores.
- Tiempo de maniobra medio/alto (min. 12 s) eficaz para evitar golpes de ariete.
- Peso/dimensiones reducidas.
- Accesorios integrados: indicador visual de posición, mando manual, limitador de par, dispositivo anti-condensación (J+J), contactos auxiliares de final de posición.
- Accesorios opcionales: bloque de seguridad, sistema de posicionamiento digital.
- No indicado para ambientes con posibilidad de explosiones, muy húmedos o salinos.
- Vida: 5.000 ciclos garantizados.

- The actuator is based on an input/output mechanism of compressed and dry air to the inner chambers.
- A power line and compressed air installation are required.
- Ideal for applications with several actuators.
- Low operation time (adjustable).
- Additional accessories are needed: electrovalve and relief regulators.
- Possibility of limit switch box to confirm position.
- Possibility of electropneumatic positioner for opening regulation.
- Not indicated when the actuator has to be installed far away from the control center (difficulties in the air transport).
- Life: 5.000 guaranteed cycles.
- Maximum security against supply failures thanks to the the springs (spring return).
- Its operation depends on the proper installation of compressed air.

- El actuador se basa en un mecanismo de entrada/salida de aire comprimido y seco hacia las cámaras interiores.
- Requiere línea eléctrica e instalación de aire comprimido.
- Indicado para instalaciones con muchos actuadores.
- Bajo tiempo de maniobra (regulable).
- Requiere accesorios adicionales: electroválvula y reguladores de escape.
- Posibilidad de final de carrera para confirmación de posición.
- Posibilidad de posicionadores electroneumáticos para regulación de apertura.
- No indicado cuando el actuador esté muy alejado de la fuente de alimentación (dificultad para hacer llegar el aire).
- Vida: 5.000 de ciclos garantizados.
- Máxima seguridad contra fallos de suministro gracias al retorno por muelle (simple efecto).
- Su correcto funcionamiento depende de la instalación de aire comprimido.

- It operates with a spring system which contracts in the presence of compressed air and expands with the force of the spring.
- In case of the lack of air, the actuator returns to its starting position (NO or NC).
- Ideally suited for applications of draining control since it offers protection against supply failures (no undesired drainings).

- Funciona con un sistema de muelles que se contraen con la presencia de aire comprimido y se expanden por la fuerza del muelle.
- En caso de falta de aire, el actuador retorna a su posición inicial (NA o NC).
- Ideal para aplicaciones de vaciado controlado, ante fallos de alimentación, no se producen vaciados indeseados.

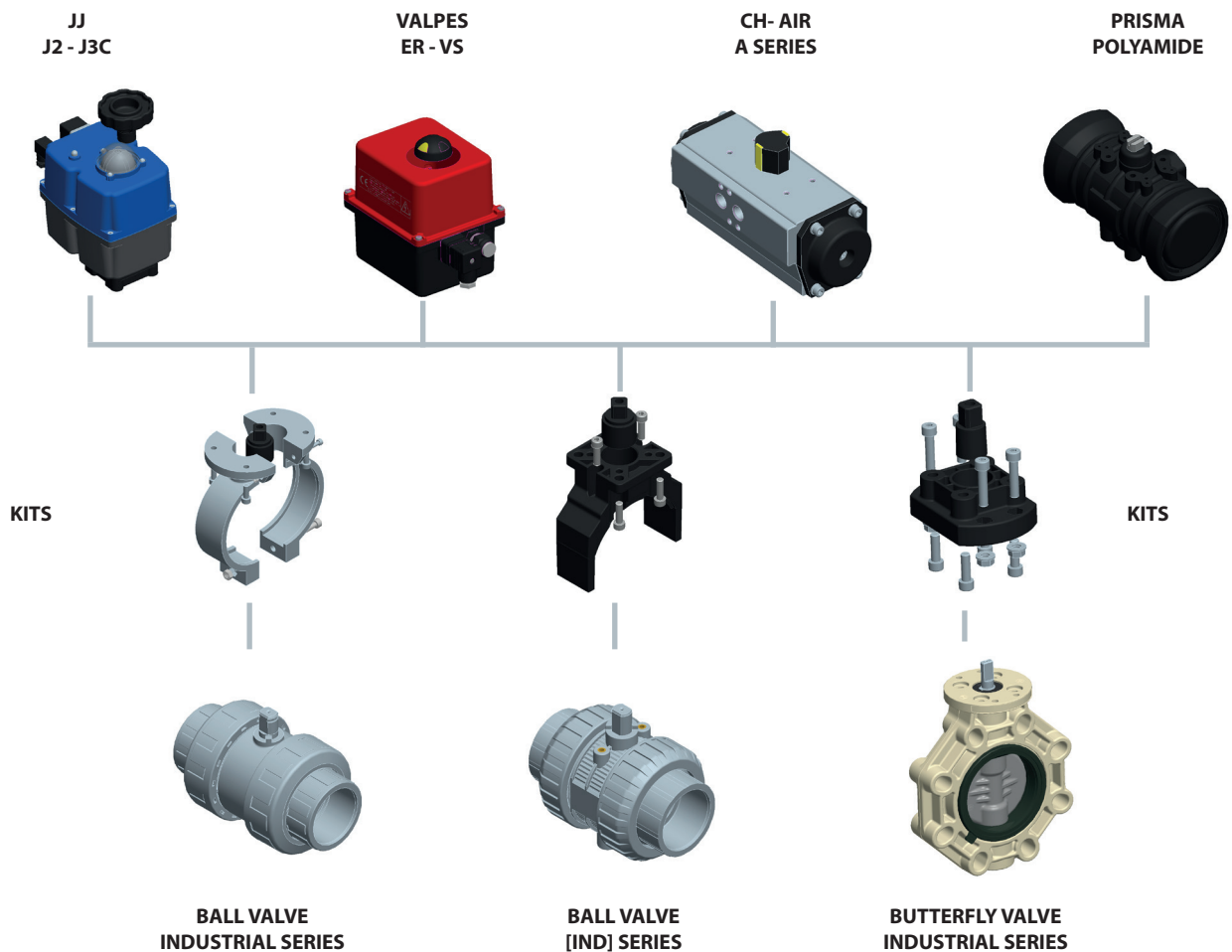
- It operates with a system of pistons directly actuated by the compressed air.
- It needs an electrovalve to invert the direction of operation (open or close).
- The opening and closing time may be controlled with the relief regulators.

- Funciona con un sistema de pistones movidos directamente por el aire comprimido.
- Necesita una electroválvula para invertir el sentido de funcionamiento (abrir o cerrar).
- La velocidad de apertura y cierre puede ser controlada con los reguladores de escape.

ACTUATED BALL VALVES - SCOPE VÁLVULAS ACTUADAS - RANGO

Cepex is providing a complete range of solutions for actuation of its ball and butterfly valves.
The ranges of valves with actuation possibilities are [IND] Series and Industrial Series for the ball valves; Industrial Series for the butterfly valves.
The actuation possibilities for these ranges are several and different, from electric actuation (with different power ranges) and all the options for the actuator, to pneumatic actuation spring return and double acting also with all the possible options to create an efficient system.
For any kind of valve, it is needed an actuation kit, to connect the outlet of the valve (once the handle is over) with the actuator inlet.

Cepex proporciona una gama completa de actuación para sus válvulas de bola y mariposa.
Las gamas de válvulas con posibilidad de actuación son Serie [IND] y Serie Industrial para válvulas de bola; Serie Industrial para válvulas de mariposa.
Las posibilidades de actuación para estas gamas de válvulas son varias, desde eléctrica (con distintos rangos de tensión) y sus varias opciones de actuador, hasta neumática de tipo simple y doble efecto también con todas las opciones necesarias para crear un sistema eficaz.
Para cualquier tipo de válvula, es necesario un kit de actuación, que conecta la salida de la válvula (una vez extraída la maneta) con la entrada del actuador.



ACTUATED VALVES CODE GENERATOR GENERADOR DE CÓDIGOS PARA VÁLVULAS ACTUADAS

Body / disc material Material cuerpo / compuerta		Series Serie	Gasket / o-rings Juntas		Seat (ball valve) Asiento (v. bola)		DN		
60	PVC-U	72	Industrial ball valve	E	EPDM	P	PTFE	010	10
36	PVC-C	71	[IND] ball valve	W	EPDM Perox.	H	HDPE	015	15
39	PP-H	74	3 way ball valve	F	FPM			020	20
		84	Industrial butterfly valve					025	25
		90	Rotary disc valve					032	32
								040	40
								050	50
								065	65
								080	80
								100	100
								125	125
								125	150
								200	200
								250	250
								300	300

Inlet end connection Conexión de entrada		Outlet end connection Conexión de salida		Operation Actuación		Actuator brand Marca actuador	
MF	Female solvent socket metric	MF	Female solvent socket metric	01	Handle	C	Ch-Air
MM	Male solvent socket metric	MM	Male solvent socket metric	02	Handle with locking device	P	Prisma
FT	Female thread BSP	FT	Female thread BSP	03	Bare shaft	J	J+J
MT	Male thread BSP	MT	Male thread BSP	04	Bare shaft with support	V	Valpes
PE	PE100 butt fusion	PE	PE100 butt fusion	05	Pneumatic Spring return NC		
PE	PE100 spigot fusion	PE	PE100 spigot fusion	06	Pneumatic Spring return NO		
BF	Butt fusion	BF	Butt fusion	07	Pneumatic Double acting		
FF	Flanges	FF	Flanges	08	Gear box		
BS	Female solvent socket BS	BS	Female solvent socket BS	09	Electric High voltage		
BM	Male solvent socket BS	BM	Male solvent socket BS	10	Electric low voltage		
FN	Female thread NPT	FN	Female thread NPT	11	Electric High voltage w/safety pack NC		
MN	Male thread NPT	MN	Male thread NPT	12	Electric Low voltage w/safety pack NC		
AF	Female solvent socket ASTM	AF	Female solvent socket ASTM	13	Electric High voltage w/safety pack NO		
AM	Male solvent socket ASTM	AM	Male solvent socket ASTM	14	Electric Low voltage w/safety pack NO		
CF	Compression	CF	Compression				
UF	Compression Universal	UF	Compression Universal				
SC	Hose spigot	SC	Hose spigot				
VE	Vitaalic	VE	Vitaalic				

PNEUMATIC ACTUATOR OPTIONS OPCIONES ACTUADORES NEUMÁTICOS									
Electrovalve Electroválvula		Electrovalve brand Marca electroválvula		Relief regulators Reguladores de escape		Limit switch box Caja final de carrera		Positioner Posicionador	
0	230 VAC	C	Ch-Air	Y	Yes	LC	Ch-Air	PC	Ch-Air
1	110 VAC	P	Prisma	N	No	LP	Prisma	PP	Prisma
2	24VAC	B	Burkert					PV	Valpes
3	24 VDV								
4	12 VDC								

EXAMPLE / EJEMPLO

PVC-U Industrial ball valve (HDPE-EPDM) DN25 female solvent socket x male solvent socket w/Prisma pneumatic actuator spring return NC (230VAC solenoid, limit switch box and positioner).

Válvula de bola Industrial en PVC-U (HDPE-EPDM) DN25 encolar hembra x encolar macho c/actuador neumático de simple efecto NC Prisma (solenoido 230VAC, caja de final de carrera y posicionador)

60	73	E	H	25	MF	MM
Material	Serie	Gasket/o-rings	Ball seat	DN	Inlet connection	Outlet connection
Material	Serie	Juntas	Asiento bola	DN	Conexión entrada	Conexión salida
					MF	Female solvent socket metric
					MM	Male solvent socket metric
					FT	Female thread BSP
					MT	Male thread BSP
					PE	PE100 butt fusion
					PE	PE100 spigot fusion
					BF	Butt fusion SDR11
					FF	Flanges ISO/DIN
					BS	Female solvent socket BS
					BM	Male solvent socket BS
					FN	Female thread NPT
					MN	Male thread NPT
					AF	Female solvent socket ASTM
					AM	Male solvent socket ASTM
					CF	Compression
					UF	Compression Universal
					SC	Hose spigot
					VE	Vitaulic
				010	DN10	
				015	DN15	
				020	DN20	
				025	DN25	
				032	DN32	
				040	DN40	
				050	DN50	
				065	DN65	
				080	DN80	
				100	DN100	
			P		PTFE	
			H		HDPE	
		E			EPDM	
		W			EPDM perox.	
		F			FPM	
	72					Industrial Ball Valve
	71					[IND] Ball Valve
	74					3 way ball valve (D50)
60						PVC-U
36						PVC-C

05	P	O	P	N	LP	PP
Actuator	Actuator Brand	Solenoid	Solenoid brand	Relief regulators	Limit switch	Positioner
Actuador	Marca Actuador	Electroválvula	Marca Electroválvula	Reguladores escape	Final carrera	Posicionador
				Y N	Yes No	PC PP PV CH-Air Prisma
			C P B	CH-Air Prisma Burkert	LC LP	
		0 1 2 3 4	230 VAC 110 VAC 24 VAC 24 VDC 12 VDC			
	J V C P	J+J Valpes CH-Air Prisma				
05	Pneumatic spring return NC					
06	Pneumatic spring return NO					
07	Pneumatic double acting					
09	Electric High voltage					
10	Electric Low voltage					
11	Electric High voltage w/safety pack NC					
12	Electric Low voltage w/safety pack NO					
13	Electric High voltage w/safety pack NC					
14	Electric Low voltage w/safety pack NO					

EXAMPLE / EJEMPLO

PVC-U Industrial butterfly valve (EPDM perox.) DN100 without flanges w/Prisma pneumatic actuator spring return NC (230VAC solenoid, limit switch box and positioner).

Válvula de mariposa Industrial en PVC-U (EPDM perox.) DN100 sin bridas c/actuador neumático de simple efecto NC Prisma (solenoido 230VAC, caja de final de carrera y posicionador)

60	84	W	-	100	NF	-
Material	Serie	Gasket/o-rings	Ball seat	DN	Inlet connection	Outlet connection
Material	Serie	Juntas	Asiento bola	DN	Conexión entrada	Conexión salida
60 36 39	PVC-U PVC-C PP-H	W F	EPDM perox. FPM	050 065 080 100 125 125 200 250 300	DN50 DN65 DN80 DN100 DN125 DN150 DN200 DN250 DN300	NF FF LF BLF ALF
	84		Industrial Butterfly valve		No flanges Fix flanges ISO/DIN Loose flange ISO/DIN Loose flange BS Loose flange ANSI	

05	P	O	P	N	LP	PP
Actuator	Actuator Brand	Solenoid	Solenoid brand	Relief regulators	Limit switch	Positioner
Actuador	Marca Actuador	Electroválvula	Marca Electroválvula	Reguladores escape	Final carrera	Posicionador
				Y N	LC LP	PC PP PV CH-Air Prisma
		0 1 2 3 4	230 VAC 110 VAC 24 VAC 24 VDC 12 VDC	C P B		CH-Air Prisma Burkert
	J V C P	J+J Valpes CH-Air Prisma				
05	Pneumatic spring return NC					
06	Pneumatic spring return NO					
07	Pneumatic double acting					
08	Gear box					
09	Electric High voltage					
10	Electric Low voltage					
11	Electric High voltage w/safety pack NC					
12	Electric Low voltage w/safety pack NO					
13	Electric High voltage w/safety pack NC					
14	Electric Low voltage w/safety pack NO					

BALL VALVE [IND] SERIES

VÁLVULA DE BOLA SERIE [IND]

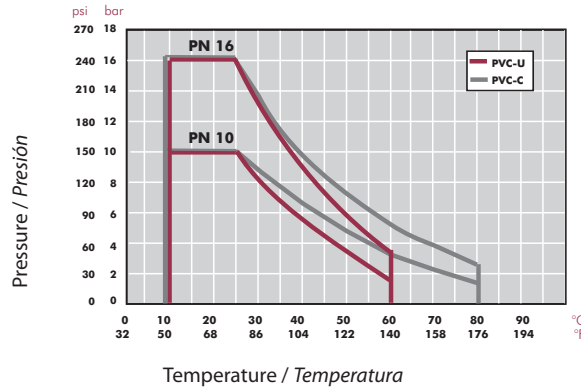


BALL VALVE CHARACTERISTICS [IND] SERIES

CARACTERÍSTICAS DE LA VÁLVULA DE BOLA SERIE [IND]

PRESSURE / TEMPERATURE GRAPH

DIAGRAMA PRESIÓN / TEMPERATURA

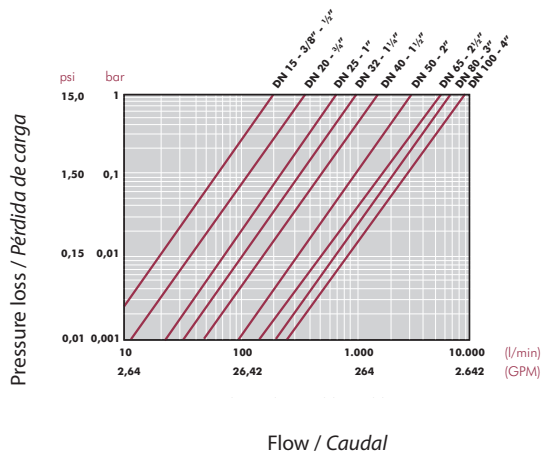


Life: 25 years
Hydrostatic maximum pressure a component may withstand in continuous service (without overpressure).

Vida útil: 25 años
Presión hidrostática máxima que un componente es capaz de soportar en servicio continuo (sin sobrepresión).

PRESSURE LOSS DIAGRAM

DIAGRAMA DE PÉRDIDAS DE CARGA



RELATIVE FLOW

FLUJO RELATIVO

D	16-3/8"	20-1/2"	25-3/4"	32-1"	40-1 1/4"	50-1 1/2"	63-2"	75-2 1/2"	90-3"	110-4"
DN	10	15	20	25	32	40	50	65	80	100
Kv ₁₀₀ (l/min)	75	190	380	690	980	1600	3000	5500	6800	8900
Cv (GPM)	5,3	13,3	26,6	48,3	68,6	112	210,1	385,2	476,2	623,2

$$Cv = Kv_{100} / 14,28$$

$$Kv_{100} \text{ (l/min, } \Delta p = 1 \text{ bar)}$$

$$Cv \text{ (GPM, } \Delta p = 1 \text{ psi)}$$

OPERATIONAL TORQUE CHART

TABLA DE PAR DE MANIOBRA

D	16-3/8"	20-1/2"	25-3/4"	32-1"	40-1 1/4"	50-1 1/2"	63-2"	75-2 1/2"	90-3"	110-4"
DN	10	15	20	25	32	40	50	65	80	100
Nm	1	1	2	3,5	3,5	5	15	25	45	60
in-lbf	8,9	8,9	17,7	31	31	44,3	132,8	221,3	398,3	531

Operating torque values at rated pressure (PN) and 20 °C in as new direct from the factory condition. Installation and operating conditions (pressure and temperature) will affect these values. The actuator that is required for an automatic operation must be calculated according to some safety factors that were determined in life tests carried out in the factory.

Los valores de par de giro se determinan a presión nominal (PN) y a 20 °C, en condiciones de salida de fábrica. Las condiciones de instalación y operación (presión y temperatura) afectarán a estos valores. El actuador requerido para automatizar el giro debe ser calculado teniendo en cuenta ciertos coeficientes de seguridad que han sido determinados en pruebas de fatiga realizadas en fábrica.

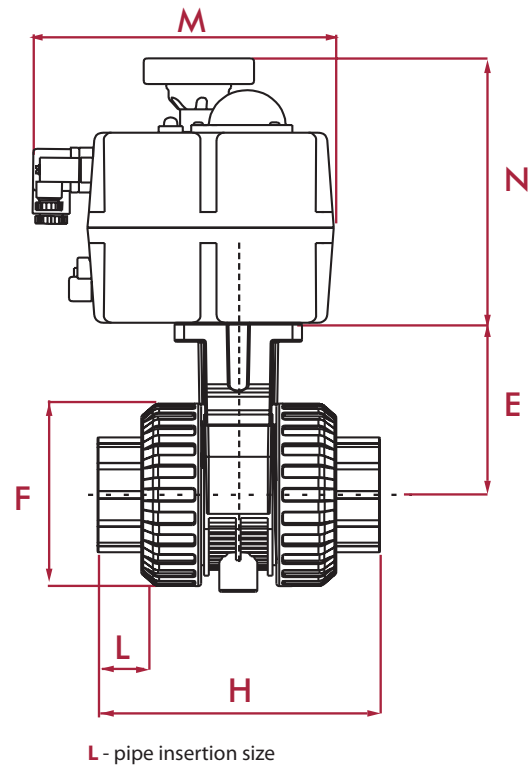
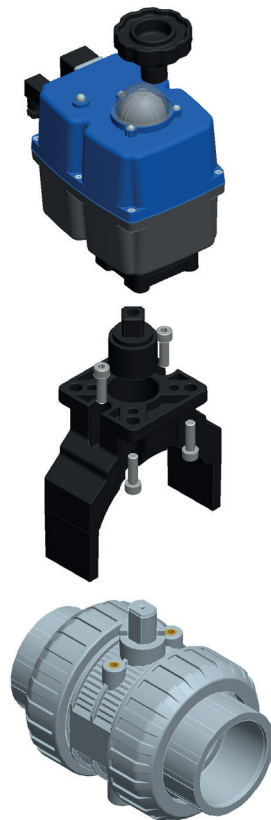
ELECTRIC ACTUATION - BALL VALVES [IND] SERIES

ACTUACIÓN ELÉCTRICA - VÁLVULAS DE BOLA SERIE [IND]



Technical Characteristics	Características técnicas
[IND] Series Ball Valve with reversible electric actuator multi-voltage	Válvula de bola Serie [IND] con actuador eléctrico reversible multivoltaje
Electronic torque control, with limitation of maximum torque	Control electrónico del par, con limitación de par máximo
Anti-condensation heating resistor	Resistencia calefactora anti-condensación
Automatic / manual lever, with manual override	Selector automático/manual, con mando manual de emergencia
Open and closed volt free contacts	Contactos auxiliares de final de posición
Indicator LED operating / error	Indicador LED de funcionamiento/errores
Enclosure in antricorrosive polyamide	Cuerpo y tapa en poliamida anti-corrosivo
Actuator guaranteed for 60.000 cycles with a duty rating of 75%	Actuador garantizado para 60.000 ciclos con un tiempo bajo tensión del 75%

Options	Opciones
BSR - Safety block	BSR - Bloque seguridad
DPS - Digital positioner	DPS - Posicionador digital
Modbus and Bluetooth communication protocol	Protocolo de comunicación Modbus y Bluetooth



SIZES (mm)
MEDIDAS (mm)

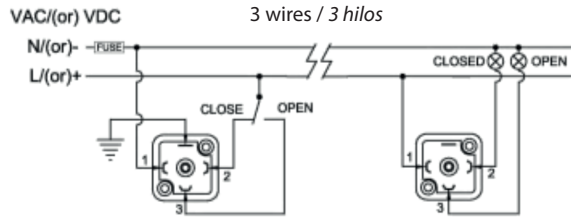
DN	D	L	H	E	F	M	N	Weight (kg)
10	16	13	87	50	64	169	123,5	1,40
15	20	16	87	50	64	169	123,5	1,40
20	25	19	101	61	64	169	123,5	1,50
25	32	22	122	70	74	169	123,5	1,70
32	40	26	135	81	74	169	123,5	1,85
40	50	31	149	96	88	181	169	3,00
50	63	38	174	118	88	181	169	3,85
65	75	44	216	146	123	181	196	5,70
80	90	51	256	176	123	181	196	7,73
100	110	63	359	225	165	235	254	16,5

ACTUATOR CHARACTERISTICS
CARACTERÍSTICAS ACTUADOR



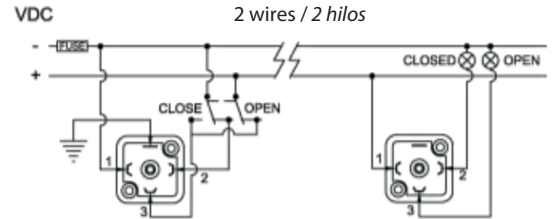
Model	Voltage	90° time	Maximum operational torque	Maximum break torque	Operational Torque Consumption	Duty rating	IP rating	Temperature	Limit switch	Heating resistor	Plugs	
											Power	Volt free
J2 L010	24 VAC / VDC	19 s	10 Nm 88,55 in-lbf	12 Nm 106,2 in-lbf	24 VAC/VDC 390 mA - 9,36 W	75%	IP 67	-20° / 70°C -4° / 158° F	4 SPTD micro	3,5 W	DIN 43650 ISO 4400 & C192	DIN 43650/C
J2 H010	85-240 VAC / VDC	16 s			20 VAC/VDC 272 mA - 60 W 110 VAC/VDC 272 mA - 30 W							
J4C S020	24-240 VAC/VDC 50/60 Hz	10 s	20 Nm 177 in-lbf	25 Nm 221 in-lbf	24VDC - 0,45A - 10,77W 48VDC - 0,21A - 9,93W 110VDC - 0,07A - 8,00W 24 VAC - 0,59A - 14,20W 48 VAC - 0,34A - 16,37W 110 VAC - 0,14A - 15,73W 240 VAC - 0,10A - 23,76W	75%	IP 67	-20° / 70° C -4° / 158° F	4 SPTD micro	3,5 W	EN175301-803 FORM A	DIN 43650/C
J4C S055	24-240 VAC/VDC 50/60 Hz	13 s	55 Nm 486 in-lbf	60 Nm 530 in-lbf	24VDC - 0,42A - 10,19W 48VDC - 0,20A - 9,72W 110VDC - 0,07A - 7,50W 24 VAC - 0,58A - 13,89W 48 VAC - 0,33A - 15,73W 110 VAC - 0,14A - 15,73W 240 VAC - 0,09A - 22,70W	75%	IP 67	-20° / 70° C -4° / 158° F	4 SPTD micro	3,5 W	EN175301-803 FORM A	DIN 43650/C
J4C S085	24-240 VAC/VDC 50/60 Hz	29 s	85 Nm 752 in-lbf	90 Nm 796 in-lbf	24VDC - 0,36A - 8,55W 48VDC - 0,17A - 8,24W 110VDC - 0,05A - 5,80W 24 VAC - 0,50A - 11,88W 48 VAC - 0,25A - 11,83W 110 VAC - 0,12A - 12,83W 240 VAC - 0,08A - 20,06W	75%	IP 67	-20° / 70° C -4° / 158° F	4 SPTD micro	3,5 W	EN175301-803 FORM A	DIN 43650/C
J4C S140	24-240 VAC/VDC 50/60 Hz	34 s	140 Nm 1239 in-lbf	170 Nm 1504 in-lbf	24VDC - 0,66A - 15,84W 48VDC - 0,30A - 14,25W 110VDC - 0,10A - 10,89W 24 VAC - 0,83A - 19,80W 48 VAC - 0,48A - 23,23W 110 VAC - 0,23A - 25,41W 240 VAC - 0,18A - 42,77W	75%	IP 67	-20° / 70° C -4° / 158° F	4 SPTD micro	3,5 W	EN175301-803 FORM A	DIN 43650/C

CONNECTION ELECTRICAL DIAGRAM (WITHOUT DPS)
ESQUEMA ELÉCTRICO DE CONEXIÓN (SIN DPS)



Power supply (Grey plug)
Alimentación eléctrica (Conector gris)

Volt free contact (Black plug)
Contactos auxiliares (Conector negro)



Power supply (Grey plug)
Alimentación eléctrica (Conector gris)

Volt free contact (Black plug)
Contactos auxiliares (Conector negro)

COMPLETE RANGE
GAMA COMPLETA

* With BSR - it is used J4C S020
* Con BSR - se usa J4C S020

SIZE Diam.	J+J	Material Material	Seats / O-rings Asientos / Juntas	Unions Uniones	Standards Standards
D16 (3/8") - DN10	J2 L010 * J2 H010 *	PVC-U	PTFE / EPDM perox.	Solvent cement	ISO/DIN, ASTM, BS, JIS
		PVC-C	PTFE / FPM	Threaded Flanges	BSP, NPT ISO/DIN
D20 (1/2") - DN15	J2 L010 * J2 H010 *	PVC-U	PTFE / EPDM perox.	Solvent cement	ISO/DIN, ASTM, BS, JIS
		PVC-C	PTFE / FPM	Threaded Flanges	BSP, NPT ISO/DIN
D25 (3/4") - DN20	J2 L010 * J2 H010 *	PVC-U	PTFE / EPDM perox.	Solvent cement	ISO/DIN, ASTM, BS, JIS
		PVC-C	PTFE / FPM	Threaded Flanges	BSP, NPT ISO/DIN
D32 (1") - DN25	J2 L010 * J2 H010 *	PVC-U	PTFE / EPDM perox.	Solvent cement	ISO/DIN, ASTM, BS, JIS
		PVC-C	PTFE / FPM	Threaded Flanges	BSP, NPT ISO/DIN
D40 (1 1/4") - DN32	J2 L010 * J2 H010 *	PVC-U	PTFE / EPDM perox.	Solvent cement	ISO/DIN, ASTM, BS, JIS
		PVC-C	PTFE / FPM	Threaded Flanges	BSP, NPT ISO/DIN
D50 (1 1/2") - DN40	J4C S020	PVC-U	PTFE / EPDM perox.	Solvent cement	ISO/DIN, ASTM, BS, JIS
		PVC-C	PTFE / FPM	Threaded Flanges	BSP, NPT ISO/DIN
D63 (2") - DN50	J4C S020	PVC-U	PTFE / EPDM perox.	Solvent cement	ISO/DIN, ASTM, BS, JIS
		PVC-C	PTFE / FPM	Threaded Flanges	BSP, NPT ISO/DIN
D75 (2 1/2") - DN65	J4C S055	PVC-U	PTFE / EPDM perox.	Solvent cement	ISO/DIN, ASTM, BS, JIS
		PVC-C	PTFE / FPM	Threaded Flanges	BSP, NPT ISO/DIN
D90 (3") - DN80	J4C S085	PVC-U	PTFE / EPDM perox.	Solvent cement	ISO/DIN, ASTM, BS, JIS
		PVC-C	PTFE / FPM	Threaded Flanges	BSP, NPT ISO/DIN
D110 (4") - DN100	J4C S140	PVC-U	PTFE / EPDM perox.	Solvent cement	ISO/DIN, ASTM, BS, JIS
		PVC-C	PTFE / FPM	Threaded Flanges	BSP, NPT ISO/DIN

CODES FOR BALL VALVES [IND] SERIES WITH J+J ACTUATOR

CÓDIGOS VÁLVULAS DE BOLA SERIE [IND] CON ACTUADOR J+J



	ELECTRICALLY ACTUATED VALVE VÁLVULA CON ACTUADOR ELÉCTRICO		ELECTRICALLY ACTUATED VALVE + BSR SAFETY BLOCK VÁLVULA CON ACTUADOR ELÉCTRICO + BLOQUE DE SEGURIDAD BSR
	24 VAC/VDC	85-240 VAC/VDC	24-240 VAC/VDC
PVC-U BALL VALVE [IND] SERIES (PTFE-EPDM) VÁLVULA DE BOLA PVC-U SERIE [IND] (PTFE-EPDM)			
DN10 - D16	52256	52266	52286
DN15 - D20	52257	52267	52287
DN20 - D25	52258	52268	52288
DN25 - D32	52259	52269	52289
DN32 - D40	52260	52270	52290
		24-240 VAC/VDC	
DN40 - D50	52271		52291
DN50 - D63	52272		52292
DN65 - D75	52273		52293
DN80 - D90	52274		52294
DN100 - D110	52275		52295
PVC-U BALL VALVE [IND] SERIES (PTFE-FPM) VÁLVULA DE BOLA PVC-U SERIE [IND] (PTFE-FPM)			
DN10 - D16	52316	52326	52346
DN15 - D20	52317	52327	52347
DN20 - D25	52318	52328	52348
DN25 - D32	52319	52329	52349
DN32 - D40	52320	52330	52350
		24-240 VAC/VDC	
DN40 - D50	52331		52351
DN50 - D63	52332		52352
DN65 - D75	52333		52353
DN80 - D90	52334		52354
DN100 - D110	52335		52355

These codes are only for the PVC-U valve with solvent socket unions, for more configuration, go to Actuated valves Code Generator (page 274)

Estos códigos son sólo para válvulas de PVC-U con uniones encoladas, para más configuraciones, ver el Generador de códigos de válvulas actuadas (Página 274)

SPARE PARTS CODES FOR J+J ACTUATOR CÓDIGOS DE RECAMBIOS ACTUADOR J+J



	ELECTRIC ACTUATOR ACTUADOR ELÉCTRICO		ACTUATOR + BSR ACTUADOR + BSR	ACTUATOR + DPS ACTUADOR + DPS	ACTUATOR + BSR + DPS ACTUADOR + BSR + DPS	Kit BSR Page 370 <i>Only for J4C act. Other models *</i>	ACTUATION KIT * KIT ACTUACIÓN *	
	24 VAC/VDC	85-240 VAC/VDC	24 -240 VAC/VDC	24-240 VAC/VDC	24-240 VAC/VDC		w/o BSR	w BSR
DN10 - D16	30671 J2 L010	30676 J2 H010	30849 J4C S020	30857 J4C S020	65276 J4C S020	74213	53944	43676
DN15 - D20	30671 J2 L010	30676 J2 H010	30849 J4C S020	30857 J4C S020	65276 J4C S020	74213	53944	43676
DN20 - D25	30671 J2 L010	30676 J2 H010	30849 J4C S020	30857 J4C S020	65276 J4C S020	74213	53945	43677
DN25 - D32	30671 J2 L010	30676 J2 H010	30849 J4C S020	30857 J4C S020	65276 J4C S020	74213	53946	43678
DN32 - D40	30671 J2 L010	30676 J2 H010	30849 J4C S020	30857 J4C S020	65276 J4C S020	74213	53947	43679
DN40 - D50	46652 J4C S020		30849 J4C S020	30857 J4C S020	65276 J4C S020	74213	43680	43680
DN50 - D63	46652 J4C S020		30849 J4C S020	30857 J4C S020	65276 J4C S020	74213	43681	43681
DN65 - D75	30677 J4C S055		30850 J4C S055	30858 J4C S055	65278 J4C S055	74213	43682	43682
DN80 - D90	46654 J4C S085		53834 J4C S085	10065 J4C S085	65280 J4C S085	74213	43683	43683
DN100 - D110	30678 J4C S140		30851 J4C S140	30859 J4C S140	65282 J4C S140	74214	30579	30579

* Kit BSR
J3C S20 - J3C S85 : **CODE 72730**
J3C 140 - J3C 300 : **CODE 66354**

*** ACTUATION KIT**
*** KIT DE ACTUACIÓN**

The kit includes all the necessary elements to connect the ball valve with the actuator and it is ready for all the brands of actuators following the ISO 5211 regulation.
Components: coupling bush, bolts, mounting clamp.

El kit incluye todos los elementos necesarios para conectar la válvula de bola con el actuador y es compatible con todas las marcas de actuadores que cumplen la norma ISO 5211.
Componentes: pieza de conexión, tornillería, soporte actuación.

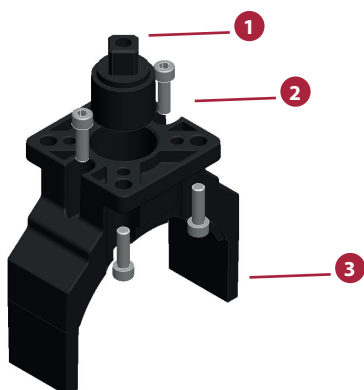


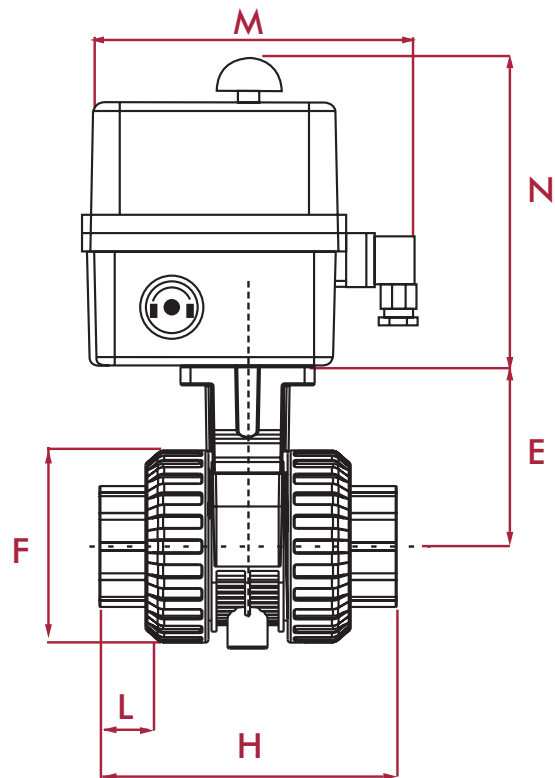
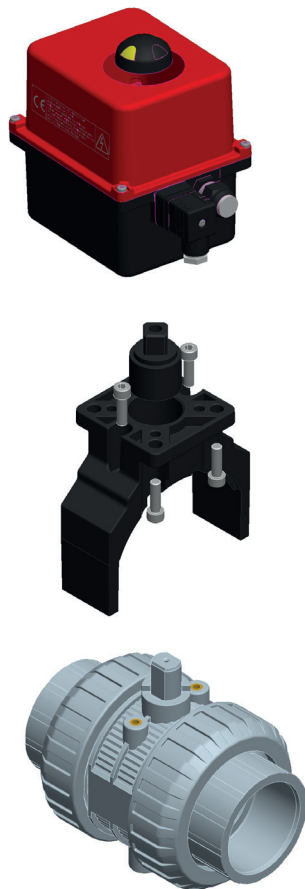
FIG.	Parts	Despiece	Material
1	Coupling bush	Conexión	Aluminium
2	Screws DIN-912	Tornillos DIN-912	SS AISI-304
3	Mounting clamp	Soporte actuación	PVC-U

See the actuator instructions manual for more information of each actuator.
Consultar manual de instrucciones del actuador para más información de cada actuador.

ELECTRIC ACTUATION - BALL VALVES [IND] SERIES

ACTUACIÓN ELÉCTRICA - VÁLVULAS DE BOLA SERIE [IND]

Options	Características técnicas
[IND] Series Ball Valve with reversible electric actuator multi-voltage	Válvula de bola Serie [IND] con actuador eléctrico reversible multivoltaje
Electronic torque control, with limitation of maximum torque	Control electrónico del par, con limitación de par máximo
Actuator guaranteed for 50.000 cycles with a duty rating of 30%	Actuador garantizado para 50.000 ciclos con un tiempo bajo tensión del 30%
Automatic / manual lever, with manual override	Selector automático/manual, con mando manual de emergencia
Open and closed volt free contacts	Contactos auxiliares de final de posición
Enclosure in anticorrosive polyamide	Cuerpo y tapa en poliamida anti-corrosivo



L - pipe insertion size

SIZES (MM)
MEDIDAS (MM)

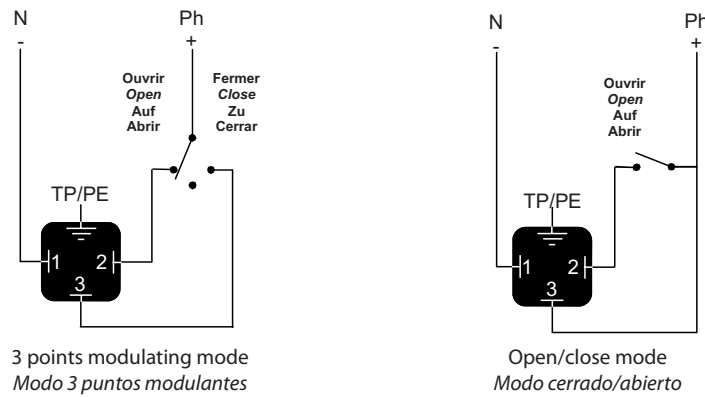
DN	D	L	H	E	F	M	N	Weight (Kg)
10	16	13	87	50	64	178	152	1,5
15	20	16	87	50	64	178	152	1,5
20	25	19	101	61	64	178	152	1,6
25	32	22	122	70	74	178	152	1,8
32	40	26	135	81	74	178	152	2
40	50	31	149	96	88	178	152	2,5
50	63	38	174	118	88	178	152	3,4
65	75	44	216	146	123	193	176	5,8
80	90	51	256	176	123	193	176	7,8
100	110	63	359	225	165	275	258	16,9

ACTUATOR CHARACTERISTICS
CARACTERÍSTICAS ACTUADOR



Model	Voltage	Operation time	Maximum torque	Max. Consumption	IP rating	Duty rating	Temperature	Limit switch	Plugs
ER20	24 VAC/VDC 100-240 VAC	7 s 9 s	20 Nm 177 in-lbf	15 W	IP 65	30%	-10° / 55° C 14° / 131° F	4 SPTD	1 DIN 43650 1 gland / prensaestopas
ER60	24 VAC/VDC 100-240 VAC	10 s 14 s	60 Nm 531 in-lbf	45 W	IP 65	30%	-10° / 55° C 14° / 131° F	4 SPTD	1 DIN 43650 1 gland / prensaestopas
VS150	24 VAC/VDC 100-240 VAC	30 s	150 Nm 1327,5 in-lbf	45 W	IP 65	30%	-10° / 55° C 14° / 131° F	4 SPTD	2 glands / prensaestopas

CONNECTION ELECTRICAL DIAGRAM
ESQUEMA ELÉCTRICO DE CONEXIÓN



COMPLETE RANGE
GAMA COMPLETA

SIZE <i>Diam.</i>	VALPES	Material <i>Material</i>	Seats / O-rings <i>Asientos / Juntas</i>	Unions <i>Uniones</i>	Standards <i>Standards</i>
D16 (3/8") - DN10	ER20	PVC-U	PTFE / EPDM perox.	Solvent cement	ISO/DIN, ASTM, BS, JIS
		PVC-C	PTFE / FPM	Threaded Flanges	BSP, NPT ISO/DIN
D20 (1/2") - DN15	ER20	PVC-U	PTFE / EPDM perox.	Solvent cement	ISO/DIN, ASTM, BS, JIS
		PVC-C	PTFE / FPM	Threaded Flanges	BSP, NPT ISO/DIN
D25 (3/4") - DN20	ER20	PVC-U	PTFE / EPDM perox.	Solvent cement	ISO/DIN, ASTM, BS, JIS
		PVC-C	PTFE / FPM	Threaded Flanges	BSP, NPT ISO/DIN
D32 (1") - DN25	ER20	PVC-U	PTFE / EPDM perox.	Solvent cement	ISO/DIN, ASTM, BS, JIS
		PVC-C	PTFE / FPM	Threaded Flanges	BSP, NPT ISO/DIN
D40 (1 1/4") - DN32	ER20	PVC-U	PTFE / EPDM perox.	Solvent cement	ISO/DIN, ASTM, BS, JIS
		PVC-C	PTFE / FPM	Threaded Flanges	BSP, NPT ISO/DIN
D50 (1 1/2") - DN40	ER20	PVC-U	PTFE / EPDM perox.	Solvent cement	ISO/DIN, ASTM, BS, JIS
		PVC-C	PTFE / FPM	Threaded Flanges	BSP, NPT ISO/DIN
D63 (2") - DN50	ER20	PVC-U	PTFE / EPDM perox.	Solvent cement	ISO/DIN, ASTM, BS, JIS
		PVC-C	PTFE / FPM	Threaded Flanges	BSP, NPT ISO/DIN
D75 (2 1/2") - DN65	ER60	PVC-U	PTFE / EPDM perox.	Solvent cement	ISO/DIN, ASTM, BS, JIS
		PVC-C	PTFE / FPM	Threaded Flanges	BSP, NPT ISO/DIN
D90 (3") - DN80	ER60	PVC-U	PTFE / EPDM perox.	Solvent cement	ISO/DIN, ASTM, BS, JIS
		PVC-C	PTFE / FPM	Threaded Flanges	BSP, NPT ISO/DIN
D110 (4") - DN100	VS150	PVC-U	PTFE / EPDM perox.	Solvent cement	ISO/DIN, ASTM, BS, JIS
		PVC-C	PTFE / FPM	Threaded Flanges	BSP, NPT ISO/DIN

CODES FOR BALL VALVES [IND] SERIES WITH VALPES ACTUATOR

CÓDIGOS VÁLVULAS DE BOLA SERIE [IND] CON ACTUADOR VALPES

ELLECTRICALLY ACTUATED VALVE		
VÁLVULA CON ACTUADOR ELÉCTRICO		
	24 VAC/VDC	100-240 VAC
PVC-U BALL VALVE [IND] SERIES (PTFE-EPDM) VÁLVULA DE BOLA PVC-U SERIE [IND] (PTFE-EPDM)		
DN10 - D16	52306	52296
DN15 - D20	52307	52297
DN20 - D25	52308	52298
DN25 - D32	52309	52299
DN32 - D40	52310	52300
DN40 - D50	52311	52301
DN50 - D63	52312	52302
DN65 - D75	52313	52303
DN80 - D90	52314	52304
DN100 - D110	52315	52305
PVC-U BALL VALVE [IND] SERIES (PTFE-FPM) VÁLVULA DE BOLA PVC-U SERIE [IND] (PTFE-FPM)		
DN10 - D16	52366	52356
DN15 - D20	52367	52357
DN20 - D25	52368	52358
DN25 - D32	52369	52359
DN32 - D40	52370	52360
DN40 - D50	52371	52361
DN50 - D63	52372	52362
DN65 - D75	52373	52363
DN80 - D90	52374	52364
DN100 - D110	52375	52365

These codes are only for the PVC-U valve with solvent socket unions, for more configuration, go to Actuated valves Code Generator (page 274)

Estos códigos son sólo para válvulas de PVC-U con uniones encoladas, para más configuraciones, ver el Generador de códigos de válvulas actuadas (Página 274)

SPARE PARTS CODES FOR VALPES ACTUATOR

CÓDIGOS DE RECAMBIOS ACTUADOR VALPES



	ELECTRIC ACTUATOR		ACTUATION KIT *
	ACTUADOR ELÉCTRICO		KIT ACTUACIÓN *
	24 VAC/VDC	100-240 VAC	
DN10 - D16	30692 ER20	30682 ER20	43676
DN15 - D20	30692 ER20	30682 ER20	43676
DN20 - D25	30692 ER20	30682 ER20	43677
DN25 - D32	30692 ER20	30682 ER20	43678
DN32 - D40	30692 ER20	30682 ER20	69581
DN40 - D50	30692 ER20	30682 ER20	43680
DN50 - D63	30692 ER20	30682 ER20	43681
DN65 - D75	30693 ER60	30683 ER60	46667
DN80 - D90	30693 ER60	30683 ER60	46668
DN100 - D110	30694 VS150	30684 VS150	30589

* ACTUATION KIT

* KIT DE ACTUACIÓN

The kit includes all the necessary elements to connect the ball valve with the actuator and it is ready for all the brands of actuators following the ISO 5211 regulation.
Components: coupling bush, bolts, mounting clamp.

El kit incluye todos los elementos necesarios para conectar la válvula de bola con el actuador y es compatible con todas las marcas de actuadores que cumplen la norma ISO 5211.
Componentes: pieza de conexión, tornillería, soporte actuación.

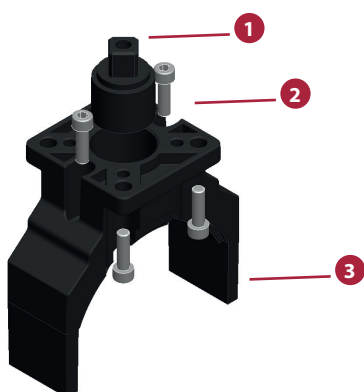


FIG.	Parts	Despiece	Material
1	Coupling bush	Conexión	Aluminium
2	Screws DIN-912	Tornillos DIN-912	SS AISI-304
3	Mounting clamp	Soporte actuación	PVC-U

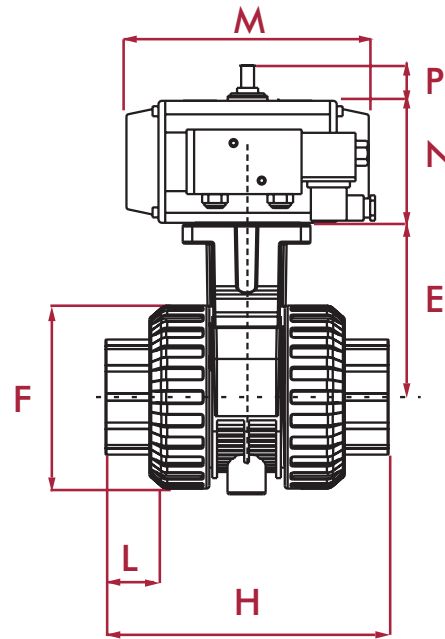
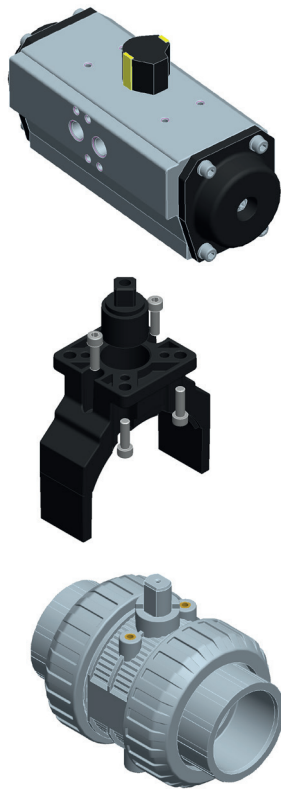
See the actuator instructions manual for more information of each actuator.
Consultar manual de instrucciones del actuador para más información de cada actuador.

PNEUMATIC ACTUATION (SPRING RETURN) - BALL VALVES [IND] SERIES



ACTUACIÓN NEUMÁTICA (SIMPLE EFECTO) - VÁLVULAS DE BOLA SERIE [IND]

Technical Characteristics	Características técnicas
[IND] Series Ball valve with pneumatic actuator made of anodized aluminum	Válvula de bola Serie [IND] con actuador neumático de aluminio anodizado
Rack and pinion drive	Transmisión por piñón-cremallera
Compact design	Diseño compacto
Fast maneuvering	Rápida maniobra
Valve position visualization	Visualización de posición de la válvula
NAMUR connection that allows the assembly of the solenoid valve	Conexión NAMUR que permite el montaje de la electroválvula
Final position regulation in the actuator (+/- 5°)	Regulación de final de carrera del actuador (+/- 5°)
Options	Opciones
Limit switch box	Final de carrera
Solenoid valve	Electroválvula
Relief regulators	Reguladores de escape



L - pipe insertion size

SIZES (mm)
MEDIDAS (mm)

DN	D	L	H	E	F	M	N	P	Weight (Kg)
10	16	13	87	50	64	138	67	20	-
15	20	16	87	50	64	138	67	20	-
20	25	19	101	61	64	138	67	20	1,98
25	32	22	122	70	74	155,5	83	20	2,80
32	40	26	135	81	74	155,5	83	20	2,76
40	50	31	149	96	88	210	100	20	4,90
50	63	38	174	118	88	210	100	20	5,43
65	75	44	216	146	123	280,5	125	20	-
80	90	51	256	176	123	280,5	125	20	11,90
100	110	63	359	225	165	362	155	30	25,33

ACTUATOR TORQUE (SPRING RETURN NORMALLY CLOSED)
PAR ACTUADOR (SIMPLE EFECTO NORMALMENTE CERRADO)


bar	Air torque at indicated pressure								Spring torque	
	5		6		7		8			
	72.8		87.4		102		116.5			
psi									OPEN TO CLOSED	CLOSED
6 spr./side	CLOSED TO OPEN	OPEN	CLOSED TO OPEN	OPEN	CLOSED TO OPEN	OPEN	CLOSED TO OPEN	OPEN		
CH050 SR	8,4 Nm 74,34 in-lbf	3,9 Nm 34,52 in-lbf	11,5 Nm 101,8 in-lbf	7,0 Nm 61,95 in-lbf	14,5 Nm 128,3 in-lbf	10,0 Nm 88,5 in-lbf	17,6 Nm 155,8 in-lbf	13,1 Nm 115,9 in-lbf	11,5 Nm 101,8 in-lbf	7,0 Nm 61,95 in-lbf
CH063 SR	15,0 Nm 132,8 in-lbf	7,0 Nm 61,95 in-lbf	20,5 Nm 181,4 in-lbf	12,5 Nm 110,6 in-lbf	26,0 Nm 230,1 in-lbf	18,0 Nm 169,3 in-lbf	31,5 Nm 278,8 in-lbf	23,5 Nm 207,9 in-lbf	20,5 Nm 181,4 in-lbf	12,5 Nm 110,6 in-lbf
CH075 SR	33,4 Nm 295,6 in-lbf	13,6 Nm 120,4 in-lbf	45,1 Nm 399,1 in-lbf	25,3 Nm 223,9 in-lbf	56,8 Nm 502,7 in-lbf	37,0 Nm 327,5 in-lbf	68,5 Nm 606,2 in-lbf	48,7 Nm 430,99 in-lbf	45,1 Nm 399,1 in-lbf	25,3 Nm 223,9 in-lbf
CH100 SR	78,7 Nm 695,5 in-lbf	32,3 Nm 285,9 in-lbf	106,4 Nm 941,6 in-lbf	60,0 Nm 531 in-lbf	134,1 Nm 1.186,78 in-lbf	87,7 Nm 776,1 in-lbf	161,8 Nm 1.431,93 in-lbf	115,4 Nm 1.021,29 in-lbf	106,4 Nm 941,6 in-lbf	60,0 Nm 531 in-lbf
CH125 SR	173,4 Nm 1.534,59 in-lbf	67,4 Nm 596,5 in-lbf	233,6 Nm 2.067,36 in-lbf	127,5 Nm 1.128,37 in-lbf	293,7 Nm 2.599,24 in-lbf	187,6 Nm 1.660,26 in-lbf	353,8 Nm 3.131,13 in-lbf	247,7 Nm 2.192,14 in-lbf	233,6 Nm 2.067,56 in-lbf	127,5 Nm 1.128,37 in-lbf

· **Operating description:** In a pneumatically actuated valve (spring return, normally closed), the valve opens by the effect of the air impulsion inside the actuator (which has to surpass the springs resistance) and closes by the resistance of the springs when there is not air impulsion.

· **Descripción operativa:** En una válvula con actuador neumático de simple efecto normalmente cerrada, la válvula abre por efecto de la fuerza ejercida por la presión de aire (que debe vencer la fuerza de los muelles) y cierra por el efecto de la fuerza de los muelles en ausencia del aire a presión.

OPERATING TIME
TIEMPO DE ABERTURA/CIERRE

	Opening time	Closing time
CH050 SR	0,6 s	0,6 s
CH063 SR	0,7 s	0,9 s
CH075 SR	0,7 s	1 s
CH100 SR	1,1 s	1,3 s
CH125 SR	1,3 s	2,1 s

AIR CONSUMPTION
CONSUMO DE AIRE

	Volume
CH050 SR	0,07 l
CH063 SR	0,23 l
CH075 SR	0,61 l
CH100 SR	1,80 l
CH125 SR	3,70 l

COMPLETE RANGE
GAMA COMPLETA

SIZE	CH-AIR	Material	Seats / O-rings	Unions	Standards
Diam.		Material	Asientos / Juntas	Uniones	Standards
D16 (3/8") - DN10	CH050 SR	PVC-U	PTFE / EPDM perox.	Solvent cement	ISO/DIN, ASTM, BS, JIS
		PVC-C	PTFE / FPM	Threaded Flanges	BSP, NPT ISO/DIN
D20 (1/2") - DN15	CH050 SR	PVC-U	PTFE / EPDM perox.	Solvent cement	ISO/DIN, ASTM, BS, JIS
		PVC-C	PTFE / FPM	Threaded Flanges	BSP, NPT ISO/DIN
D25 (3/4") - DN20	CH050 SR	PVC-U	PTFE / EPDM perox.	Solvent cement	ISO/DIN, ASTM, BS, JIS
		PVC-C	PTFE / FPM	Threaded Flanges	BSP, NPT ISO/DIN
D32 (1") - DN25	CH063 SR	PVC-U	PTFE / EPDM perox.	Solvent cement	ISO/DIN, ASTM, BS, JIS
		PVC-C	PTFE / FPM	Threaded Flanges	BSP, NPT ISO/DIN
D40 (1 1/4") - DN32	CH063 SR	PVC-U	PTFE / EPDM perox.	Solvent cement	ISO/DIN, ASTM, BS, JIS
		PVC-C	PTFE / FPM	Threaded Flanges	BSP, NPT ISO/DIN
D50 (1 1/2") - DN40	CH075 SR	PVC-U	PTFE / EPDM perox.	Solvent cement	ISO/DIN, ASTM, BS, JIS
		PVC-C	PTFE / FPM	Threaded Flanges	BSP, NPT ISO/DIN
D63 (2") - DN50	CH075 SR	PVC-U	PTFE / EPDM perox.	Solvent cement	ISO/DIN, ASTM, BS, JIS
		PVC-C	PTFE / FPM	Threaded Flanges	BSP, NPT ISO/DIN
D75 (2 1/2") - DN65	CH100 SR	PVC-U	PTFE / EPDM perox.	Solvent cement	ISO/DIN, ASTM, BS, JIS
		PVC-C	PTFE / FPM	Threaded Flanges	BSP, NPT ISO/DIN
D90 (3") - DN80	CH100 SR	PVC-U	PTFE / EPDM perox.	Solvent cement	ISO/DIN, ASTM, BS, JIS
		PVC-C	PTFE / FPM	Threaded Flanges	BSP, NPT ISO/DIN
D110 (4") - DN100	CH125 SR	PVC-U	PTFE / EPDM perox.	Solvent cement	ISO/DIN, ASTM, BS, JIS
		PVC-C	PTFE / FPM	Threaded Flanges	BSP, NPT ISO/DIN

CODES FOR BALL VALVES [IND] SERIES WITH CH-AIR ACTUATOR (SPRING RETURN)



CÓDIGOS VÁLVULAS DE BOLA SERIE [IND] CON ACTUADOR CH-AIR (SIMPLE EFECTO)

	PNEUMATICALLY ACTUATED VALVE VÁLVULA CON ACTUADOR NEUMÁTICO	PNEUMATICALLY ACTUATED VALVE + Solenoid valve (220VAC) + Limit switch box + relief regulators *
	Spring return NC ** Simple efecto NC **	Spring return NC ** Simple efecto NC **
PVC-U BALL VALVE [IND] SERIES (PTFE-EPDM) VÁLVULA DE BOLA PVC-U SERIE [IND] (PTFE-EPDM)		
DN10 - D16	52386	52406
DN15 - D20	52387	52407
DN20 - D25	52388	52408
DN25 - D32	52389	52409
DN32 - D40	52390	52410
DN40 - D50	52391	52411
DN50 - D63	52392	52412
DN65 - D75	52393	52413
DN80 - D90	52394	52414
DN100 - D110	52395	52415
PVC-U BALL VALVE [IND] SERIES (PTFE-FPM) VÁLVULA DE BOLA PVC-U SERIE [IND] (PTFE-FPM)		
DN10 - D16	52464	52484
DN15 - D20	52465	52485
DN20 - D25	52466	52486
DN25 - D32	52467	52487
DN32 - D40	52468	52488
DN40 - D50	52469	52489
DN50 - D63	52470	52490
DN65 - D75	52471	52491
DN80 - D90	52472	52492
DN100 - D110	52473	52493

* KIT: Electric valve (220VAC), limit switch-box and relief regulators . Read technical characteristics in page 372

* KIT: Electroválvula (220 VAC), final de carrera y reguladores de escape . Ver características técnicas en página 372

** Standard configuration: Normally Closed NC, ask for Normally Open (NO) configuration.

** Por defecto Normalmente Cerrado NC, consultar para configuración Normalmente Abierto

These codes are only for the PVC-U valve with solvent socket unions, for more configuration, go to Actuated valves Code Generator (page 274)

Estos códigos son sólo para válvulas de PVC-U con uniones encoladas, para más configuraciones, ver el Generador de códigos de válvulas actuadas (Página 274)

SPARE PARTS CODES FOR CH-AIR ACTUATOR (SPRING RETURN) CÓDIGOS DE RECAMBIOS ACTUADOR CH-AIR (SIMPLE EFECTO)



	PNEUMATIC ACTUATOR <i>ACTUADOR NEUMÁTICO</i>	SOLENOID VALVE <i>Page 373</i> <i>ELECTROVÁLVULA</i>	LIMIT SWITCH BOX <i>Page 375</i> <i>FINAL DE CARRERA</i>	RELIEF REGULATORS <i>REGULADORES ESCAPE</i>	ACTUATION KIT * <i>KIT ACTUACIÓN *</i>
	Spring return NC	230 VAC*			
DN10 - D16	30712 CH050 SR	30737	30744	30745	43690
DN15 - D20	30712 CH050 SR	30737	30744	30745	43690
DN20 - D25	30712 CH050 SR	30737	30744	30745	43691
DN25 - D32	30713 CH063 SR	30737	30743	30745	43686
DN32 - D40	30713 CH063 SR	30737	30743	30745	43687
DN40 - D50	30714 CH075 SR	30737	30743	30745	43692
DN50 - D63	30714 CH075 SR	30737	30743	30745	43693
DN65 - D75	30715 CH100 SR	30737	30743	30745	43682
DN80 - D90	30715 CH100 SR	30737	30743	30745	43683
DN100 - D110	30716 CH125 SR	30737	30743	30745	30609

* Solenoid valve:

* *Electroválvula:*

12 VAC	30738
12 VDC	30739
24 VAC	30740
24 VDC	30722
110 VAC	30741
110 VDC	30742

* ACTUATION KIT

* *KIT DE ACTUACIÓN*

The kit includes all the necessary elements to connect the ball valve with the actuator and it is ready for all the brands of actuators following the ISO 5211 regulation.

Components: coupling bush, bolts, mounting clamp.

El kit incluye todos los elementos necesarios para conectar la válvula de bola con el actuador y es compatible con todas las marcas de actuadores que cumplen la norma ISO 5211.

Componentes: pieza de conexión, tornillería, soporte actuación.

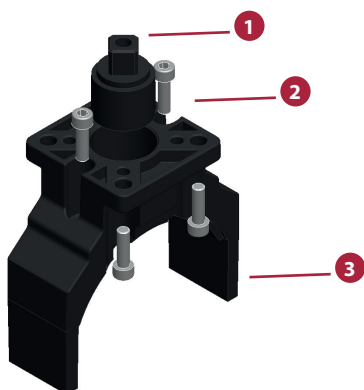


FIG.	Parts	Despiece	Material
1	Coupling bush	Conexión	Aluminium
2	Screws DIN-912	Tornillos DIN-912	SS AISI-304
3	Mounting clamp	Soporte actuación	PVC-U

See the actuator instructions manual for more information of each actuator.

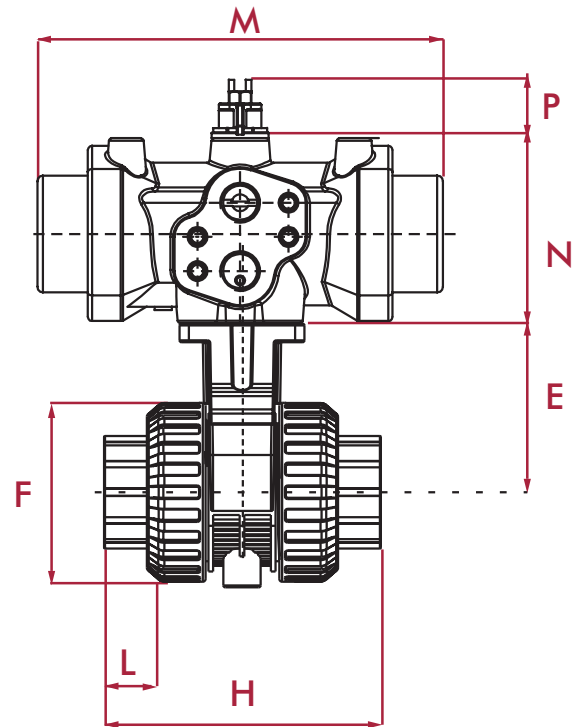
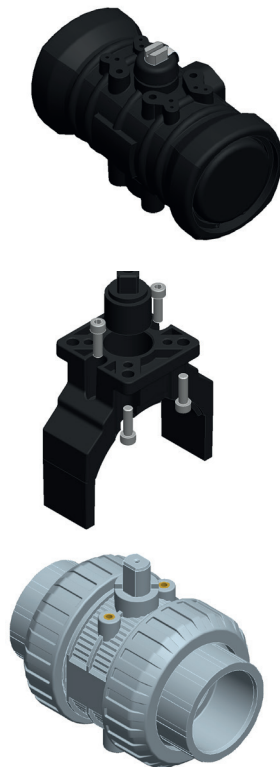
Consultar manual de instrucciones del actuador para más información de cada actuador.

PNEUMATIC ACTUATION (SPRING RETURN) - BALL VALVES [IND] SERIES

ACTUACIÓN NEUMÁTICA (SIMPLE EFECTO) - VÁLVULAS DE BOLA SERIE [IND]

Technical Characteristics	Características técnicas
[IND] Series Ball valve with pneumatic actuator made of polyamide + glass fiber	Válvula de bola Serie [IND] con actuador neumático de poliamida + fibra de vidrio
Rack and pinion drive	Transmisión por piñón-cremallera
High resistance to corrosion	Alta resistencia a la corrosión
Fast maneuvering	Rápida maniobra
Valve position visualization	Visualización de posición de la válvula
NAMUR connection that allows the assembly of the solenoid valve	Conexión NAMUR que permite el montaje de la electroválvula

Options	Opciones
Limit switch box	Final de carrera
Solenoid valve	Electroválvula
Relief regulators	Reguladores de escape



L - pipe insertion size

SIZES (MM)
MEDIDAS (MM)

DN	D	L	H	E	F	M	N	P	Weight (Kg)
10	16	13	87	50	64	144	69	20	1,06
15	20	16	87	50	64	144	69	20	1,06
20	25	19	101	61	64	144	69	20	1,11
25	32	22	122	70	74	157	82	20	1,90
32	40	26	135	81	74	157	82	20	2,09
40	50	31	149	96	88	230	103	20	-
50	63	38	174	118	88	230	103	20	4,40
65	75	44	216	146	123	313	127	20	7,85
80	90	51	256	176	123	313	127	20	-

**ACTUATOR TORQUE
PAR ACTUADOR**



bar	Air torque at indicated pressure								Spring torque	
	5		6		7		8			
	72.8		87.4		102		116.5		OPEN TO CLOSED	CLOSED
6 spr./side	CLOSED TO OPEN	OPEN	CLOSED TO OPEN	OPEN	CLOSED TO OPEN	OPEN	CLOSED TO OPEN	OPEN		
PPWS	7,4 Nm 65,5 in-lbf	4,1 Nm 36,3 in-lbf	10,3 Nm 91,2 in-lbf	7 Nm 62 in-lbf	13,1 Nm 115,9 in-lbf	9,8 Nm 86,7 in-lbf	16,2 Nm 143,4 in-lbf	12,9 Nm 114,2 in-lbf	10 Nm 88,5 in-lbf	6,7 Nm 69,3 in-lbf
PP00S	10,7 Nm 94,7 in-lbf	4,6 Nm 40,7 in-lbf	15,8 Nm 139,8 in-lbf	9,7 Nm 85,8 in-lbf	20,9 Nm 185,0 in-lbf	14,8 Nm 131,0 in-lbf	26 Nm 230,1 in-lbf	19,9 Nm 176,1 in-lbf	18,8 Nm 166,4 in-lbf	12,7 Nm 112,4 in-lbf
PP10S	27,5 Nm 243,4 in-lbf	12,7 Nm 112,4 in-lbf	40,2 Nm 355,8 in-lbf	25,4 Nm 224,8 in-lbf	52,9 Nm 468,2 in-lbf	38,1 Nm 337,2 in-lbf	65,6 Nm 580,6 in-lbf	50,8 Nm 449,6 in-lbf	45,6 Nm 403,6 in-lbf	30,8 Nm 272,6 in-lbf
PP20S	70,5 Nm 624 in-lbf	31,6 Nm 279,7 in-lbf	99,7 Nm 882,4 in-lbf	60,8 Nm 538,1 in-lbf	129 Nm 1.142 in-lbf	90,1 Nm 797 in-lbf	158,2 Nm 1.400 in-lbf	119,3 Nm 1.056 in-lbf	104,7 Nm 927,7 in-lbf	65,8 Nm 582,4 in-lbf

· **Operating description:** In a pneumatic actuated valve (spring return, normally closed), the valve opens by the effect of the air impulsion inside the actuator (which has to surpass the springs resistance) and closes by the resistance of the springs when there is not air impulsion.

· **Descripción operativa:** En una válvula con actuador neumático de simple efecto normalmente cerrada, la válvula abre por efecto de la fuerza ejercida por la presión de aire (que debe vencer la fuerza de los muelles) y cierra por el efecto de la fuerza de los muelles en ausencia del aire a presión.

**OPERATING TIME
TIEMPO DE ABERTURA/CIERRE**

**AIR CONSUMPTION
CONSUMO DE AIRE**

	Opening time	Closing time
PPWS	0,15 s	0,15 s
PP00S	0,2 s	0,2 s
PP10S	0,3 s	0,3 s
PP20S	0,5 s	0,5 s

	Volume
PPWS	0,075 l
PP00S	0,15 l
PP10S	0,35 l
PP20S	0,8 l

**COMPLETE RANGE
GAMA COMPLETA**

SIZE Diam.	PRISMA	Material Material	Seats / O-rings Asientos / Juntas	Unions Uniones	Standards Standards
D16 (3/8") - DN15	PPWS	PVC-U	PTFE / EPDM perox.	Solvent cement Threaded Flanges	ISO/DIN, ASTM, BS, JIS BSP, NPT ISO/DIN
		PVC-C	PTFE / FPM		
D20 (1/2") - DN15	PPWS	PVC-U	PTFE / EPDM perox.	Solvent cement Threaded Flanges	ISO/DIN, ASTM, BS, JIS BSP, NPT ISO/DIN
		PVC-C	PTFE / FPM		
D25 (3/4") - DN20	PPWS	PVC-U	PTFE / EPDM perox.	Solvent cement Threaded Flanges	ISO/DIN, ASTM, BS, JIS BSP, NPT ISO/DIN
		PVC-C	PTFE / FPM		
D32 (1") - DN25	PP00S	PVC-U	PTFE / EPDM perox.	Solvent cement Threaded Flanges	ISO/DIN, ASTM, BS, JIS BSP, NPT ISO/DIN
		PVC-C	PTFE / FPM		
D40 (1 1/4") - DN32	PP00S	PVC-U	PTFE / EPDM perox.	Solvent cement Threaded Flanges	ISO/DIN, ASTM, BS, JIS BSP, NPT ISO/DIN
		PVC-C	PTFE / FPM		
D50 (1 1/2") - DN40	PP10S	PVC-U	PTFE / EPDM perox.	Solvent cement Threaded Flanges	ISO/DIN, ASTM, BS, JIS BSP, NPT ISO/DIN
		PVC-C	PTFE / FPM		
D63 (2") - DN50	PP10S	PVC-U	PTFE / EPDM perox.	Solvent cement Threaded Flanges	ISO/DIN, ASTM, BS, JIS BSP, NPT ISO/DIN
		PVC-C	PTFE / FPM		
D75 (2 1/2") - DN65	PP20S	PVC-U	PTFE / EPDM perox.	Solvent cement Threaded Flanges	ISO/DIN, ASTM, BS, JIS BSP, NPT ISO/DIN
		PVC-C	PTFE / FPM		
D90 (3") - DN80	PP20S	PVC-U	PTFE / EPDM perox.	Solvent cement Threaded Flanges	ISO/DIN, ASTM, BS, JIS BSP, NPT ISO/DIN
		PVC-C	PTFE / FPM		

CODES FOR BALL VALVES [IND] SERIES WITH PRISMA ACTUATOR

(SPRING RETURN)

CÓDIGOS VÁLVULAS DE BOLA SERIE [IND] CON ACTUADOR PRISMA (SIMPLE EFECTO)

	PNEUMATICALLY ACTUATED VALVE VÁLVULA CON ACTUADOR NEUMÁTICO	PNEUMATICALLY ACTUATED VALVE + Solenoid valve (220VAC) + Limit switch box + relief regulators * VÁLVULA CON ACTUADOR NEUMÁTICO + Electroválvula (220VAC) + Final de carrera + reguladores de escape *
	Spring return NC ** Simple efecto NC **	Spring return NC ** Simple efecto NC **
PVC-U BALL VALVE [IND] SERIES (PTFE-EPDM) VÁLVULA DE BOLA PVC-U SERIE [IND] (PTFE-EPDM)		
DN10 - D16	52426	52445
DN15 - D20	52427	52446
DN20 - D25	52428	52447
DN25 - D32	52429	52448
DN32 - D40	52430	52449
DN40 - D50	52431	52450
DN50 - D63	52432	52451
DN65 - D75	52433	52452
DN80 - D90	52434	52453
PVC-U BALL VALVE [IND] SERIES (PTFE-FPM) VÁLVULA DE BOLA PVC-U SERIE [IND] (PTFE-FPM)		
DN10 - D16	52504	52523
DN15 - D20	52505	52524
DN20 - D25	52506	52525
DN25 - D32	52507	52526
DN32 - D40	52508	52527
DN40 - D50	52509	52528
DN50 - D63	52510	52529
DN65 - D75	52511	52530
DN80 - D90	52512	52531

* KIT: Electric valve (220VAC), limit switch-box and relief regulators . Read technical characteristics in page 372

* KIT: Electroválvula (220 VAC), final de carrera y reguladores de escape . Ver características técnicas en página 372

** Standard configuration: Normally Closed NC, ask for Normally Open (NO) configuration.

** Por defecto Normalmente Cerrado NC, consultar para configuración Normalmente Abierto

These codes are only for the PVC-U valve with solvent socket unions, for more configuration, go to Actuated valves Code Generator (page 274)

Estos códigos son sólo para válvulas de PVC-U con uniones encoladas, para más configuraciones, ver el Generador de códigos de válvulas actuadas (Página 274)

SPARE PARTS CODES FOR PRISMA ACTUATOR (SPRING RETURN) CÓDIGOS DE RECAMBIOS ACTUADOR PRISMA (SIMPLE EFECTO)



	PNEUMATIC ACTUATOR <i>ACTUADOR NEUMÁTICO</i>	SOLENOID VALVE <i>Page 374</i> <i>ELECTROVÁLVULA</i>	LIMIT SWITCH BOX <i>Page 376</i> <i>FINAL DE CARRERA</i>	RELIEF REGULATORS <i>REGULADORES ESCAPE</i>	ACTUATION KIT * <i>KIT ACTUACIÓN *</i>
	Spring return	230 VAC*			
DN10 - D16	30724 PPWS	30746	45293	30745	43702
DN15 - D20	30724 PPWS	30746	45293	30745	43702
DN20 - D25	30724 PPWS	30746	45293	30745	43703
DN25 - D32	30725 PP00S	30746	45293	30745	43704
DN32 - D40	30725 PP00S	30746	45293	30745	43705
DN40 - D50	30726 PP10S	30746	45293	30745	43714
DN50 - D63	30726 PP10S	30746	45293	30745	43715
DN65 - D75	30727 PP20S	30746	45293	30745	55197
DN80 - D90	30727 PP20S	30746	45293	30745	55198

* Solenoid valve:

* *Electroválvula:*

12 VAC	30747
12 VDC	30748
24 VAC	30749
24 VDC	30670
110 VAC	30750
110 VDC	30751

* ACTUATION KIT

* *KIT DE ACTUACIÓN*

The kit includes all the necessary elements to connect the ball valve with the actuator and it is ready for all the brands of actuators following the ISO 5211 regulation.

Components: coupling bush, bolts, mounting clamp.

El kit incluye todos los elementos necesarios para conectar la válvula de bola con el actuador y es compatible con todas las marcas de actuadores que cumplen la norma ISO 5211.

Componentes: pieza de conexión, tornillería, soporte actuación.

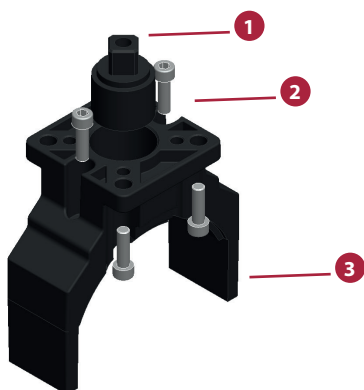


FIG.	Parts	Despiece	Material
1	Coupling bush	Conexión	Aluminium
2	Screws DIN-912	Tornillos DIN-912	SS AISI-304
3	Mounting clamp	Soporte actuación	PVC-U

See the actuator instructions manual for more information of each actuator.

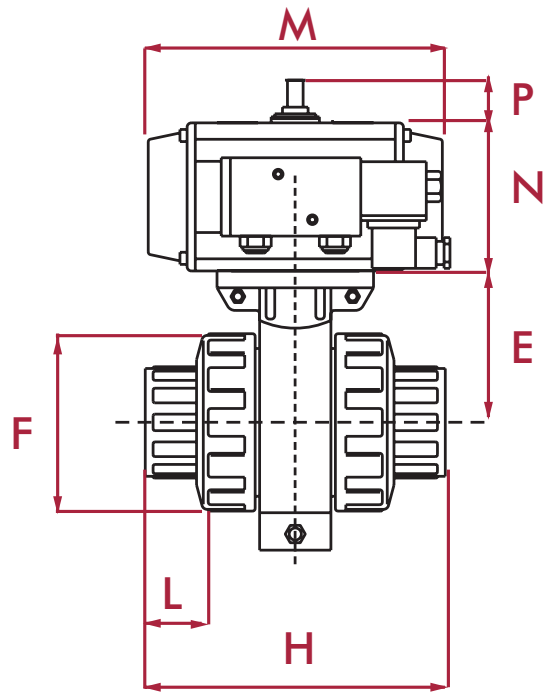
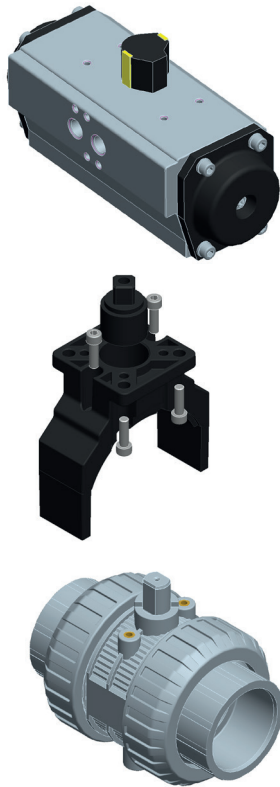
Consultar manual de instrucciones del actuador para más información de cada actuador.

PNEUMATIC ACTUATION (DOUBLE ACTING) - BALL VALVES [IND] SERIES



ACTUACIÓN NEUMÁTICA (DOBLE EFECTO) - VÁLVULAS DE BOLA SERIE [IND]

Technical Characteristics	Características técnicas
[IND] Series Ball valve with pneumatic actuator made of anodized aluminum	Válvula de bola Serie [IND] con actuador neumático de aluminio anodizado
Rack and pinion drive	Transmisión por piñón-cremallera
Compact design	Diseño compacto
Fast maneuvering	Rápida maniobra
Valve position visualization	Visualización de posición de la válvula
NAMUR connection that allows the assembly of the solenoid valve	Conexión NAMUR que permite el montaje de la electroválvula
Final position regulation in the actuator (+/- 5°)	Regulación de final de carrera del actuador (+/- 5°)
Options	Opciones
Limit switch box	Final de carrera
Solenoid valve	Electroválvula
Relief regulators	Reguladores de escape



L - pipe insertion size

SIZES (mm)
MEDIDAS (mm)

DN	D	L	H	E	F	M	N	P	Weight (kg)
10	16	13	87	50	64	117	45	20	1,08
15	20	16	87	50	64	117	45	20	1,08
20	25	19	101	61	64	117	45	20	1,08
25	32	22	122	70	74	138	67	20	1,95
32	40	26	135	81	74	138	67	20	-
40	50	31	149	96	88	138	67	20	2,50
50	63	38	174	118	88	138	67	20	3,05
65	75	44	216	146	123	210	100	20	6,70
80	90	51	256	176	123	210	100	20	8,39
100	110	63	359	225	165	280,5	125	20	15,50

**ACTUATOR TORQUE
PAR ACTUADOR**



bar	Pressure of air feeding (bar / psi)							
	3	4	5	6	7	8	9	10
psi	43,7	58,3	72,8	87,4	102	116,5	131,1	145,7
CH032		5,0 Nm 44,3 in-lbf	6,3 Nm 55,8 in-lbf	7,6 Nm 67,3 in-lbf	8,8 Nm 77,9 in-lbf	10,0 Nm 88,5 in-lbf	11,4 Nm 100,9 in-lbf	12,6 Nm 111,5 in-lbf
CH050	9,2 Nm 81,4 in-lbf	12,3 Nm 108,9 in-lbf	15,4 Nm 136,3 in-lbf	18,5 Nm 163,7 in-lbf	21,5 Nm 190,3 in-lbf	24,6 Nm 217,7 in-lbf	27,7 Nm 245,1 in-lbf	30,8 Nm 272,6 in-lbf
CH075	35,1 Nm 310,6 in-lbf	46,8 Nm 414,2 in-lbf	58,5 Nm 517,7 in-lbf	70,2 Nm 621,3 in-lbf	81,9 Nm 724,8 in-lbf	93,6 Nm 828,4 in-lbf	105,3 Nm 931,9 in-lbf	117,0 Nm 1035,5 in-lbf
CH100	89,2 Nm 789,4 in-lbf	110,9 Nm 981,5 in-lbf	138,6 Nm 1226,6 in-lbf	166,4 Nm 1472,6 in-lbf	194,1 Nm 1717,8 in-lbf	221,8 Nm 1962,9 in-lbf	249,5 Nm 2208,1 in-lbf	277,3 Nm 2454,1 in-lbf

**OPERATING TIME
TIEMPO DE ABERTURA/CIERRE**

**AIR CONSUMPTION
CONSUMO DE AIRE**

	Opening time	Closing time
CH032	0,5 s	0,5 s
CH050	0,6 s	0,6 s
CH075	0,6 s	0,7 s
CH100	0,8 s	0,9 s

	Volume
CH032	0,07 l
CH050	0,23 l
CH075	0,61 l
CH100	1,80 l

**COMPLETE RANGE
GAMA COMPLETA**

SIZE Diam.	CH-AIR	Material	Seats / O-rings	Unions	Standards
		Material	Asientos / Juntas	Uniones	Standards
D16 (3/8") - DN15	CH032	PVC-U	PTFE / EPDM perox.	Solvent cement	ISO/DIN, ASTM, BS, JIS
		PVC-C	PTFE / FPM	Threaded Flanges	BSP, NPT ISO/DIN
D20 (1/2") - DN15	CH032	PVC-U	PTFE / EPDM perox.	Solvent cement	ISO/DIN, ASTM, BS, JIS
		PVC-C	PTFE / FPM	Threaded Flanges	BSP, NPT ISO/DIN
D25 (3/4") - DN20	CH032	PVC-U	PTFE / EPDM perox.	Solvent cement	ISO/DIN, ASTM, BS, JIS
		PVC-C	PTFE / FPM	Threaded Flanges	BSP, NPT ISO/DIN
D32 (1") - DN25	CH050	PVC-U	PTFE / EPDM perox.	Solvent cement	ISO/DIN, ASTM, BS, JIS
		PVC-C	PTFE / FPM	Threaded Flanges	BSP, NPT ISO/DIN
D40 (1 1/4") - DN32	CH050	PVC-U	PTFE / EPDM perox.	Solvent cement	ISO/DIN, ASTM, BS, JIS
		PVC-C	PTFE / FPM	Threaded Flanges	BSP, NPT ISO/DIN
D50 (1 1/2") - DN40	CH050	PVC-U	PTFE / EPDM perox.	Solvent cement	ISO/DIN, ASTM, BS, JIS
		PVC-C	PTFE / FPM	Threaded Flanges	BSP, NPT ISO/DIN
D63 (2") - DN50	CH050	PVC-U	PTFE / EPDM perox.	Solvent cement	ISO/DIN, ASTM, BS, JIS
		PVC-C	PTFE / FPM	Threaded Flanges	BSP, NPT ISO/DIN
D75 (2 1/2") - DN65	CH075	PVC-U	PTFE / EPDM perox.	Solvent cement	ISO/DIN, ASTM, BS, JIS
		PVC-C	PTFE / FPM	Threaded Flanges	BSP, NPT ISO/DIN
D90 (3") - DN80	CH075	PVC-U	PTFE / EPDM perox.	Solvent cement	ISO/DIN, ASTM, BS, JIS
		PVC-C	PTFE / FPM	Threaded Flanges	BSP, NPT ISO/DIN
D110 (4") - DN100	CH100	PVC-U	PTFE / EPDM perox.	Solvent cement	ISO/DIN, ASTM, BS, JIS
		PVC-C	PTFE / FPM	Threaded Flanges	BSP, NPT ISO/DIN

CODES FOR BALL VALVES [IND] SERIES WITH CH-AIR ACTUATOR (DOUBLE ACTING)



CÓDIGOS VÁLVULAS DE BOLA SERIE [IND] CON ACTUADOR CH-AIR (DOBLE EFECTO)

	PNEUMATICALLY ACTUATED VALVE VÁLVULA CON ACTUADOR NEUMÁTICO	PNEUMATICALLY ACTUATED VALVE + Solenoid valve (220VAC) + Limit switch box + relief regulators * VÁLVULA CON ACTUADOR NEUMÁTICO + Electroválvula (220VAC) + Final de carrera + reguladores de escape *
	Double acting Doble efecto	Double acting Doble efecto
PVC-U BALL VALVE [IND] SERIES (PTFE-EPDM) VÁLVULA DE BOLA PVC-U SERIE [IND] (PTFE-EPDM)		
DN10 - D16	52376	52396
DN15 - D20	52377	52397
DN20 - D25	52378	52398
DN25 - D32	52379	52399
DN32 - D40	52380	52400
DN40 - D50	52381	52401
DN50 - D63	52382	52402
DN65 - D75	52383	52403
DN80 - D90	52384	52404
DN100 - D110	52385	52405
PVC-U BALL VALVE [IND] SERIES (PTFE-FPM) VÁLVULA DE BOLA PVC-U SERIE [IND] (PTFE-FPM)		
DN10 - D16	52454	52474
DN15 - D20	52455	52475
DN20 - D25	52456	52476
DN25 - D32	52457	52477
DN32 - D40	52458	52478
DN40 - D50	52459	52479
DN50 - D63	52460	52480
DN65 - D75	52461	52481
DN80 - D90	52462	52482
DN100 - D110	52463	52483

* KIT: Electric valve (220VAC), limit switch-box and relief regulators . Read technical characteristics in page 372

* KIT: Electroválvula (220 VAC), final de carrera y reguladores de escape . Ver características técnicas en página 372

** Standard configuration: Normally Closed NC, ask for Normally Open (NO) configuration.

** Por defecto Normalmente Cerrado NC, consultar para configuración Normalmente Abierto

These codes are only for the PVC-U valve with solvent socket unions, for more configuration, go to Actuated valves Code Generator (page 274)

Estos códigos son sólo para válvulas de PVC-U con uniones encoladas, para más configuraciones, ver el Generador de códigos de válvulas actuadas (Página 274)

SPARE PARTS CODES FOR CH-AIR ACTUATOR (DOUBLE ACTING) CÓDIGOS DE RECAMBIOS ACTUADOR CH-AIR (DOBLE EFECTO)



	PNEUMATIC ACTUATOR <i>ACTUADOR NEUMÁTICO</i>	SOLENOID VALVE <i>Page 373</i> <i>ELECTROVÁLVULA</i>	LIMIT SWITCH BOX <i>Page 375</i> <i>FINAL DE CARRERA</i>	RELIEF REGULATORS <i>REGULADORES ESCAPE</i>	ACTUATION KIT * <i>KIT ACTUACIÓN *</i>
	Double effect	230 VAC*			
DN10 - D16	30706 CH032	30737	30744	30745	43684
DN15 - D20	30706 CH032	30737	30744	30745	43684
DN20 - D25	30706 CH032	30737	30744	30745	43685
DN25 - D32	30707 CH050	30737	30743	30745	43686
DN32 - D40	30707 CH050	30737	30743	30745	43687
DN40 - D50	30707 CH050	30737	30743	30745	43688
DN50 - D63	30707 CH050	30737	30743	30745	43689
DN65 - D75	30708 CH075	30737	30743	30745	43682
DN80 - D90	30708 CH075	30737	30743	30745	43683
DN100 - D110	30709 CH100	30737	30743	30745	30599

* Solenoid valve:

* *Electroválvula:*

12 VAC	30738
12 VDC	30739
24 VAC	30740
24 VDC	30722
110 VAC	30741
110 VDC	30742

* ACTUATION KIT

* *KIT DE ACTUACIÓN*

The kit includes all the necessary elements to connect the ball valve with the actuator and it is ready for all the brands of actuators following the ISO 5211 regulation.

Components: coupling bush, bolts, mounting clamp.

El kit incluye todos los elementos necesarios para conectar la válvula de bola con el actuador y es compatible con todas las marcas de actuadores que cumplen la norma ISO 5211.

Componentes: pieza de conexión, tornillería, soporte actuación.

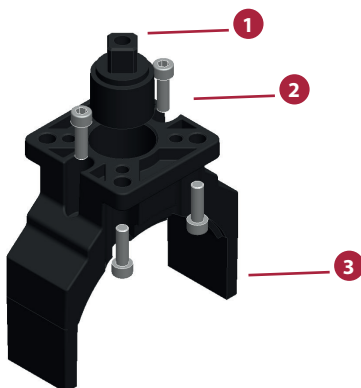


FIG.	Parts	Despiece	Material
1	Coupling bush	Conexión	Aluminium
2	Screws DIN-912	Tornillos DIN-912	SS AISI-304
3	Mounting clamp	Soporte actuación	PVC-U

See the actuator instructions manual for more information of each actuator.

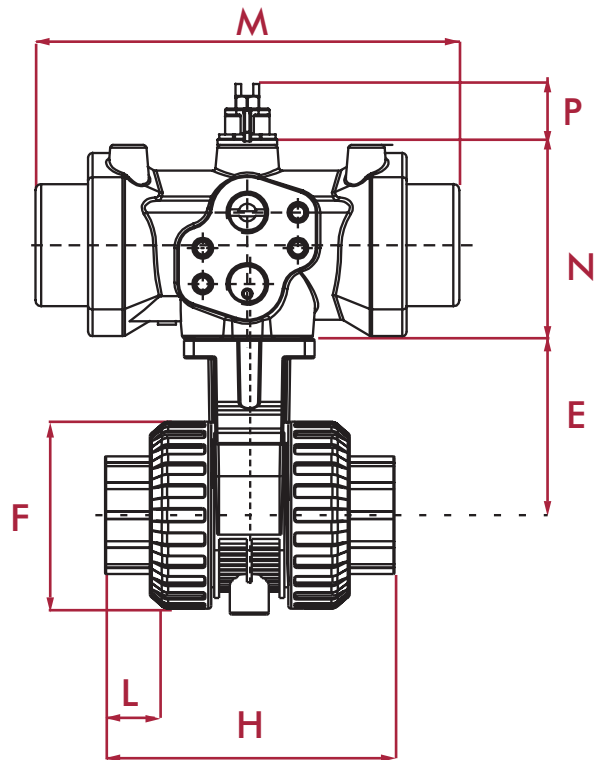
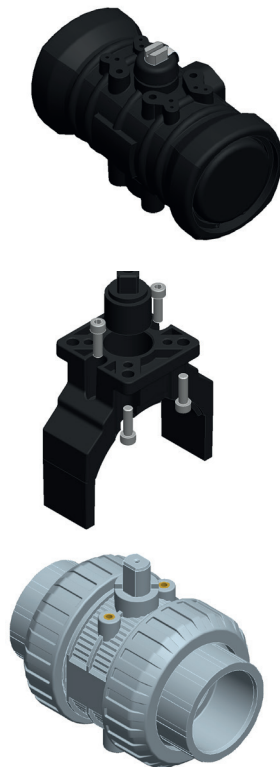
Consultar manual de instrucciones del actuador para más información de cada actuador.

PNEUMATIC ACTUATION (DOUBLE ACTING) - BALL VALVES [IND] SERIES

ACTUACIÓN NEUMÁTICA (DOBLE EFECTO) - VÁLVULAS DE BOLA SERIE [IND]

Technical Characteristics	Características técnicas
[IND] Series Ball valve with pneumatic actuator made of polyamide + glass fiber	Válvula de bola Serie [IND] con actuador neumático de poliamida + fibra de vidrio
Rack and pinion drive	Transmisión por piñón-cremallera
High resistance to corrosion	Alta resistencia a la corrosión
Fast maneuvering	Rápida maniobra
Valve position visualization	Visualización de posición de la válvula
NAMUR connection that allows the assembly of the solenoid valve	Conexión NAMUR que permite el montaje de la electroválvula

Options	Opciones
Limit switch box	Final de carrera
Solenoid valve	Electroválvula
Relief regulators	Reguladores de escape



L - pipe insertion size

SIZES (MM)
MEDIDAS (MM)

DN	D	L	H	E	F	M	N	P	Weight (Kg)
10	16	13	87	50	64	144	69	20	-
15	20	16	87	50	64	144	69	20	-
20	25	19	101	61	64	144	69	20	-
25	32	22	122	70	74	157	82	20	-
32	40	26	135	81	74	157	82	20	-
40	50	31	149	96	88	157	82	20	-
50	63	38	174	118	88	157	82	20	2,59
65	75	44	216	146	123	230	103	20	-
80	90	51	256	176	123	230	103	20	-
100	110	63	359	225	165	313	127	20	-

**ACTUATOR TORQUE
PAR ACTUADOR**



bar	Pressure of air feeding (bar / psi)					
	3	4	5	6	7	8
psi	43,7	58,3	72,8	87,4	102	116,5
PPW	7,9 Nm 69,9 in-lbf	11,3 Nm 100 in-lbf	14,1 Nm 124,8 in-lbf	17 Nm 150,5 in-lbf	19,8 Nm 175,2 in-lbf	22,9 Nm 202,7 in-lbf
PP00	13,3 Nm 117,7 in-lbf	18,3 Nm 162 in-lbf	23,4 Nm 207,1 in-lbf	28,5 Nm 252,2 in-lbf	33,6 Nm 297,4 in-lbf	38,7 Nm 342,5 in-lbf
PP10	32,9 Nm 291 in-lbf	45,6 Nm 404 in-lbf	58,3 Nm 516 in-lbf	71 Nm 628 in-lbf	83,7 Nm 741 in-lbf	96,4 Nm 853 in-lbf
PP20	77,7 Nm 687,8 in-lbf	107 Nm 947,3 in-lbf	136,3 Nm 1.206 in-lbf	165,4 Nm 1.465 in-lbf	194,8 Nm 1.724 in-lbf	224 Nm 1.983 in-lbf

**OPERATING TIME
TIEMPO DE ABERTURA/CIERRE**

	Opening time	Closing time
PPW	0,1 s	0,1 s
PP00	0,15 s	0,15 s
PP10	0,25 s	0,25 s
PP20	0,4 s	0,4 s

**AIR CONSUMPTION
CONSUMO DE AIRE**

	Volume
PPW	0,075 l
PP00	0,18 l
PP10	0,45 l
PP20	1,15 l

**COMPLETE RANGE
GAMA COMPLETA**

SIZE Diam.	PRISMA	Material	Seats / O-rings	Unions	Standards
		Material	Asientos / Juntas	Uniones	Standards
D16 (3/8") - DN15	PPW	PVC-U	PTFE / EPDM perox.	Solvent cement	ISO/DIN, ASTM, BS, JIS
		PVC-C	PTFE / FPM	Threaded Flanges	BSP, NPT ISO/DIN
D20 (1/2") - DN15	PPW	PVC-U	PTFE / EPDM perox.	Solvent cement	ISO/DIN, ASTM, BS, JIS
		PVC-C	PTFE / FPM	Threaded Flanges	BSP, NPT ISO/DIN
D25 (3/4") - DN20	PPW	PVC-U	PTFE / EPDM perox.	Solvent cement	ISO/DIN, ASTM, BS, JIS
		PVC-C	PTFE / FPM	Threaded Flanges	BSP, NPT ISO/DIN
D32 (1") - DN25	PP00	PVC-U	PTFE / EPDM perox.	Solvent cement	ISO/DIN, ASTM, BS, JIS
		PVC-C	PTFE / FPM	Threaded Flanges	BSP, NPT ISO/DIN
D40 (1 1/4") - DN32	PP00	PVC-U	PTFE / EPDM perox.	Solvent cement	ISO/DIN, ASTM, BS, JIS
		PVC-C	PTFE / FPM	Threaded Flanges	BSP, NPT ISO/DIN
D50 (1 1/2") - DN40	PP00	PVC-U	PTFE / EPDM perox.	Solvent cement	ISO/DIN, ASTM, BS, JIS
		PVC-C	PTFE / FPM	Threaded Flanges	BSP, NPT ISO/DIN
D63 (2") - DN50	PP00	PVC-U	PTFE / EPDM perox.	Solvent cement	ISO/DIN, ASTM, BS, JIS
		PVC-C	PTFE / FPM	Threaded Flanges	BSP, NPT ISO/DIN
D75 (2 1/2") - DN65	PP10	PVC-U	PTFE / EPDM perox.	Solvent cement	ISO/DIN, ASTM, BS, JIS
		PVC-C	PTFE / FPM	Threaded Flanges	BSP, NPT ISO/DIN
D90 (3") - DN80	PP10	PVC-U	PTFE / EPDM perox.	Solvent cement	ISO/DIN, ASTM, BS, JIS
		PVC-C	PTFE / FPM	Threaded Flanges	BSP, NPT ISO/DIN
D110 (4") - DN100	PP20	PVC-U	PTFE / EPDM perox.	Solvent cement	ISO/DIN, ASTM, BS, JIS
		PVC-C	PTFE / FPM	Threaded Flanges	BSP, NPT ISO/DIN

CODES FOR BALL VALVES [IND] SERIES WITH PRISMA ACTUATOR

(DOUBLE ACTING)

CÓDIGOS VÁLVULAS DE BOLA SERIE [IND] CON ACTUADOR PRISMA (DOBLE EFECTO)

	PNEUMATICALLY ACTUATED VALVE VÁLVULA CON ACTUADOR NEUMÁTICO	PNEUMATICALLY ACTUATED VALVE + Solenoid valve (220VAC) + Limit switch box + relief regulators * VÁLVULA CON ACTUADOR NEUMÁTICO + Electroválvula (220VAC) + Final de carrera + reguladores de escape *
	Double acting Doble efecto	Double acting Doble efecto
PVC-U BALL VALVE [IND] SERIES (PTFE-EPDM) VÁLVULA DE BOLA PVC-U SERIE [IND] (PTFE-EPDM)		
DN10 - D16	52416	52435
DN15 - D20	52417	52436
DN20 - D25	52418	52437
DN25 - D32	52419	52438
DN32 - D40	52420	52439
DN40 - D50	52421	52440
DN50 - D63	52422	52441
DN65 - D75	52423	52442
DN80 - D90	52424	52443
DN100 - D110	52425	52444
PVC-U BALL VALVE [IND] SERIES (PTFE-FPM) VÁLVULA DE BOLA PVC-U SERIE [IND] (PTFE-FPM)		
DN10 - D16	52494	52513
DN15 - D20	52495	52514
DN20 - D25	52496	52515
DN25 - D32	52497	52516
DN32 - D40	52498	52517
DN40 - D50	52499	52518
DN50 - D63	52500	52519
DN65 - D75	52501	52520
DN80 - D90	52502	52521
DN100 - D110	52503	52522

* KIT: Electric valve (220VAC), limit switch-box and relief regulators . Read technical characteristics in page 372

* KIT: Electroválvula (220 VAC), final de carrera y reguladores de escape . Ver características técnicas en página 372

** Standard configuration: Normally Closed NC, ask for Normally Open (NO) configuration.

** Por defecto Normalmente Cerrado NC, consultar para configuración Normalmente Abierto

These codes are only for the PVC-U valve with solvent socket unions, for more configuration, go to Actuated valves Code Generator (page 274)

Estos códigos son sólo para válvulas de PVC-U con uniones encoladas, para más configuraciones, ver el Generador de códigos de válvulas actuadas (Página 274)

SPARE PARTS CODES FOR PRISMA ACTUATOR (DOUBLE ACTING)

CÓDIGOS DE RECAMBIOS ACTUADOR PRISMA (DOBLE EFECTO)

	PNEUMATIC ACTUATOR <i>ACTUADOR NEUMÁTICO</i>	SOLENOID VALVE <i>Page 374</i> <i>ELECTROVÁLVULA</i>	LIMIT SWITCH BOX <i>Page 376</i> <i>FINAL DE CARRERA</i>	RELIEF REGULATORS <i>REGULADORES ESCAPE</i>	ACTUATION KIT * <i>KIT ACTUACIÓN *</i>
	Double effect	230 VAC*			
DN10 - D16	30719 PPW	30746	45293	30745	43702
DN15 - D20	30719 PPW	30746	45293	30745	43702
DN20 - D25	30719 PPW	30746	45293	30745	73703
DN25 - D32	32364 PP00	30746	45293	30745	73704
DN32 - D40	32364 PP00	30746	45293	30745	73705
DN40 - D50	32364 PP00	30746	45293	30745	43706
DN50 - D63	32364 PP00	30746	45293	30745	43707
DN65 - D75	30720 PP10	30746	45293	30745	43708
DN80 - D90	30720 PP10	30746	45293	30745	43709
DN100 - D110	30721 PP20	30746	45293	30745	30619

* Solenoid valve:
* *Electroválvula:*

12 VAC	30747
12 VDC	30748
24 VAC	30749
24 VDC	30670
110 VAC	30750
110 VDC	30751

* ACTUATION KIT * *KIT DE ACTUACIÓN*

The kit includes all the necessary elements to connect the ball valve with the actuator and it is ready for all the brands of actuators following the ISO 5211 regulation.
Components: coupling bush, bolts, mounting clamp.

El kit incluye todos los elementos necesarios para conectar la válvula de bola con el actuador y es compatible con todas las marcas de actuadores que cumplen la norma ISO 5211.
Componentes: pieza de conexión, tornillería, soporte actuación.

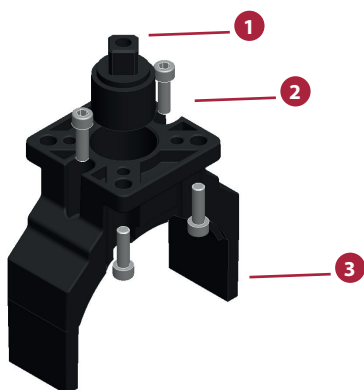


FIG.	Parts	Despiece	Material
1	Coupling bush	Conexión	Aluminium
2	Screws DIN-912	Tornillos DIN-912	SS AISI-304
3	Mounting clamp	Soporte actuación	PVC-U

See the actuator instructions manual for more information of each actuator.
Consultar manual de instrucciones del actuador para más información de cada actuador.

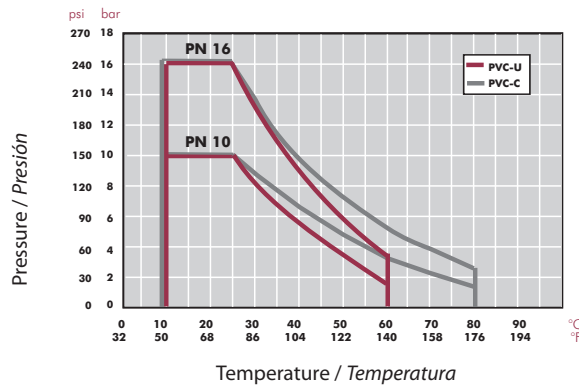
BALL VALVE INDUSTRIAL SERIES

VÁLVULA DE BOLA SERIE INDUSTRIAL



BALL VALVE CHARACTERISTICS INDUSTRIAL SERIES CARACTERÍSTICAS DE LA VÁLVULA DE BOLA SERIE INDUSTRIAL

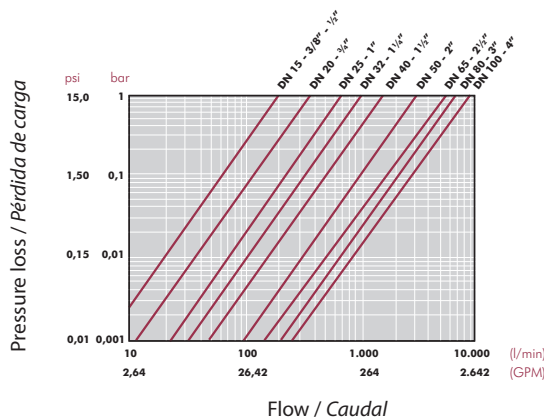
PRESSURE / TEMPERATURE GRAPH
DIAGRAMA PRESIÓN / TEMPERATURA



Life: 25 years
Hydrostatic maximum pressure a component may withstand in continuous service (without overpressure)

Vida útil: 25 años
Presión hidrostática máxima que un componente es capaz de soportar en servicio continuo (sin sobrepresión)

PRESSURE LOSS DIAGRAM
DIAGRAMA DE PÉRDIDAS DE CARGA



RELATIVE FLOW
FLUJO RELATIVO

D	16-3/8"	20-1/2"	25-3/4"	32-1"	40-1 1/4"	50-1 1/2"	63-2"	75-2 1/2"	90-3"	110-4"
DN	10	15	20	25	32	40	50	65	80	100
Kv ₁₀₀ (l/min)	75	190	380	690	980	1600	3000	5500	6800	8900
Cv (GPM)	5,3	13,3	26,6	48,3	68,6	112	210,1	385,2	476,2	623,2

$$Cv = Kv_{100} / 14,28$$

$$Kv_{100} \text{ (l/min, } \Delta p = 1 \text{ bar)}$$

$$Cv \text{ (GPM, } \Delta p = 1 \text{ psi)}$$

OPERATIONAL TORQUE CHART
TABLA DE PAR DE MANIOBRA

D	16-3/8"	20-1/2"	25-3/4"	32-1"	40-1 1/4"	50-1 1/2"	63-2"	75-2 1/2"	90-3"	110-4"
DN	10	15	20	25	32	40	50	65	80	100
Nm	1	1	2	3,5	3,5	5	15	25	45	60
in-lbf	8,9	8,9	17,7	31	31	44,3	132,8	221,3	398,3	531

Operating torque values at rated pressure (PN) and 20 °C in as new direct from the factory condition. Installation and operating conditions (pressure and temperature) will affect these values. The actuator that is required for an automatic operation must be calculated according to some safety factors that were determined in life tests carried out in the factory.

Los valores de par de giro se determinan a presión nominal (PN) y a 20 °C, en condiciones de salida de fábrica. Las condiciones de instalación y operación (presión y temperatura) afectarán a estos valores. El actuador requerido para automatizar el giro debe ser calculado teniendo en cuenta ciertos coeficientes de seguridad que han sido determinados en pruebas de fatiga realizadas en fábrica.

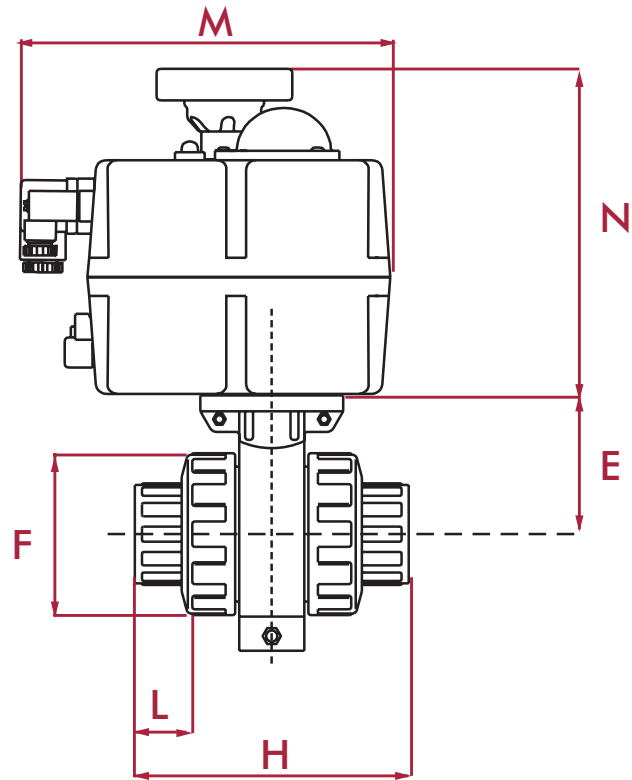
ELECTRIC ACTUATION - BALL VALVES INDUSTRIAL SERIES

ACTUACIÓN ELÉCTRICA - VÁLVULAS DE BOLA SERIE INDUSTRIAL



Technical Characteristics	Características técnicas
[IND] Series Ball Valve with reversible electric actuator multi-voltage	Válvula de bola Serie [IND] con actuador eléctrico reversible multivoltaje
Electronic torque control, with limitation of maximum torque	Control electrónico del par, con limitación de par máximo
Anti-condensation heating resistor	Resistencia calefactora anti-condensación
Automatic / manual lever, with manual override	Selector automático/manual, con mando manual de emergencia
Open and closed volt free contacts	Contactos auxiliares de final de posición
Indicator LED operating / error	Indicador LED de funcionamiento/errores
Enclosure in antricorrosive polyamide	Cuerpo y tapa en poliamida anti-corrosivo
Actuator guaranteed for 60.000 cycles with a duty rating of 75%	Actuador garantizado para 60.000 ciclos con un tiempo bajo tensión del 75%

Options	Opciones
BSR - Safety block	BSR - Bloque seguridad
DPS - Digital positioner	DPS - Posicionador digital
Modbus and Bluetooth communication protocol	Protocolo de comunicación Modbus y Bluetooth



L - pipe insertion size

SIZES (MM)
MEDIDAS (MI)

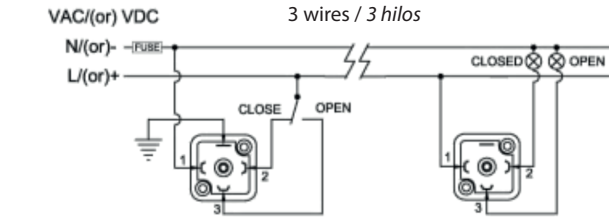
DN	D	G	L	H	E	F	M	N	Weight (kg)
10	16	3/8"	14	84	52	64	169	123,5	2,20
15	20	1/2"	16	84	52	64	169	123,5	1,50
20	25	3/4"	19	108	62	64	169	123,5	1,60
25	32	1"	22	124	70	74	169	123,5	2,40
32	40	1 1/4"	26	142	84	74	169	123,5	1,95
40	50	1 1/2"	31	167	104	88	181	169	3,10
50	63	2"	38	198	120	88	181	169	3,80
65	75	2 1/2"	44	232	148	123	181	196	5,90
80	90	3"	51	269	179	123	181	196	9,11
100	110	4"	61	275	179	165	235	254	16,73

ACTUATOR CHARACTERISTICS
CARACTERÍSTICAS ACTUADOR



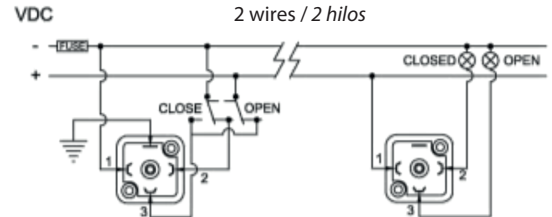
Model	Voltage	90° time	Maximum operational torque	Maximum break torque	Operational Torque Consumption	Duty rating	IP rating	Temperature	Limit switch	Heating resistor	Plugs	
											Power	Volt free
J2 L010	24 VAC / VDC	19 s	10 Nm 88,55 in-lbf	12 Nm 106,2 in-lbf	24 VAC/VDC 390 mA - 9,36 W	75%	IP 67	-20° / 70°C -4° / 158° F	4 SPTD micro	3,5 W	DIN 43650 ISO 4400 & C192	DIN 43650/C
J2 H010	85-240 VAC / VDC	16 s			20 VAC/VDC 272 mA - 60 W 110 VAC/VDC 272 mA - 30 W							
J4C S020	24-240 VAC/VDC 50/60 Hz	10 s	20 Nm 177 in-lbf	25 Nm 221 in-lbf	24VDC - 0,45A - 10,77W 48VDC - 0,21A - 9,93W 110VDC - 0,07A - 8,00W 24 VAC - 0,59A - 14,20W 48 VAC - 0,34A - 16,37W 110 VAC - 0,14A - 15,73W 240 VAC - 0,10A - 23,76W	75%	IP 67	-20° / 70° C -4° / 158° F	4 SPTD micro	3,5 W	EN175301-803 FORM A	DIN 43650/C
J4C S055	24-240 VAC/VDC 50/60 Hz	13 s	55 Nm 486 in-lbf	60 Nm 530 in-lbf	24VDC - 0,42A - 10,19W 48VDC - 0,20A - 9,72W 110VDC - 0,07A - 7,50W 24 VAC - 0,58A - 13,89W 48 VAC - 0,33A - 15,73W 110 VAC - 0,14A - 15,73W 240 VAC - 0,09A - 22,70W	75%	IP 67	-20° / 70° C -4° / 158° F	4 SPTD micro	3,5 W	EN175301-803 FORM A	DIN 43650/C
J4C S085	24-240 VAC/VDC 50/60 Hz	29 s	85 Nm 752 in-lbf	90 Nm 796 in-lbf	24VDC - 0,36A - 8,55W 48VDC - 0,17A - 8,24W 110VDC - 0,05A - 5,80W 24 VAC - 0,50A - 11,88W 48 VAC - 0,25A - 11,83W 110 VAC - 0,12A - 12,83W 240 VAC - 0,08A - 20,06W	75%	IP 67	-20° / 70° C -4° / 158° F	4 SPTD micro	3,5 W	EN175301-803 FORM A	DIN 43650/C
J4C S140	24-240 VAC/VDC 50/60 Hz	34 s	140 Nm 1239 in-lbf	170 Nm 1504 in-lbf	24VDC - 0,66A - 15,84W 48VDC - 0,30A - 14,25W 110VDC - 0,10A - 10,89W 24 VAC - 0,83A - 19,80W 48 VAC - 0,48A - 23,23W 110 VAC - 0,23A - 25,41W 240 VAC - 0,18A - 42,77W	75%	IP 67	-20° / 70° C -4° / 158° F	4 SPTD micro	3,5 W	EN175301-803 FORM A	DIN 43650/C

CONNECTION ELECTRICAL DIAGRAM (WITHOUT DPS)
ESQUEMA ELÉCTRICO DE CONEXIÓN (SIN DPS)



Power supply (Grey plug)
Alimentación eléctrica (Conector gris)

Volt free contact (Black plug)
Contactos auxiliares (Conector negro)



Power supply (Grey plug)
Alimentación eléctrica (Conector gris)

Volt free contact (Black plug)
Contactos auxiliares (Conector negro)

COMPLETE RANGE
GAMA COMPLETA

* With BSR - it is used J4C S020
* Con BSR - se usa J4C S020

SIZE Diam.	J+J	Material Material	Seats / O-rings Asientos / Juntas	Unions Uniones	Standards Standards
D16 (3/8") - DN10	J2 L010 * J2 H010 *	PVC-U	PTFE / EPDM perox.	Solvent cement	ISO/DIN, ASTM, BS, JIS
		PVC-C	PTFE / FPM	Threaded Flanges	BSP, NPT ISO/DIN
D20 (1/2") - DN15	J2 L010 * J2 H010 *	PVC-U	PTFE / EPDM perox.	Solvent cement	ISO/DIN, ASTM, BS, JIS
		PVC-C	PTFE / FPM	Threaded Flanges	BSP, NPT ISO/DIN
D25 (3/4") - DN20	J2 L010 * J2 H010 *	PVC-U	PTFE / EPDM perox.	Solvent cement	ISO/DIN, ASTM, BS, JIS
		PVC-C	PTFE / FPM	Threaded Flanges	BSP, NPT ISO/DIN
D32 (1") - DN25	J2 L010 * J2 H010 *	PVC-U	PTFE / EPDM perox.	Solvent cement	ISO/DIN, ASTM, BS, JIS
		PVC-C	PTFE / FPM	Threaded Flanges	BSP, NPT ISO/DIN
D40 (1 1/4") - DN32	J2 L010 * J2 H010 *	PVC-U	PTFE / EPDM perox.	Solvent cement	ISO/DIN, ASTM, BS, JIS
		PVC-C	PTFE / FPM	Threaded Flanges	BSP, NPT ISO/DIN
D50 (1 1/2") - DN40	J4C S020	PVC-U	PTFE / EPDM perox.	Solvent cement	ISO/DIN, ASTM, BS, JIS
		PVC-C	PTFE / FPM	Threaded Flanges	BSP, NPT ISO/DIN
D63 (2") - DN50	J4C S020	PVC-U	PTFE / EPDM perox.	Solvent cement	ISO/DIN, ASTM, BS, JIS
		PVC-C	PTFE / FPM	Threaded Flanges	BSP, NPT ISO/DIN
D75 (2 1/2") - DN65	J4C S055	PVC-U	PTFE / EPDM perox.	Solvent cement	ISO/DIN, ASTM, BS, JIS
		PVC-C	PTFE / FPM	Threaded Flanges	BSP, NPT ISO/DIN
D90 (3") - DN80	J4C S085	PVC-U	PTFE / EPDM perox.	Solvent cement	ISO/DIN, ASTM, BS, JIS
		PVC-C	PTFE / FPM	Threaded Flanges	BSP, NPT ISO/DIN
D110 (4") - DN100	J4C S140	PVC-U	PTFE / EPDM perox.	Solvent cement	ISO/DIN, ASTM, BS, JIS
		PVC-C	PTFE / FPM	Threaded Flanges	BSP, NPT ISO/DIN

CODES FOR BALL VALVES INDUSTRIAL SERIES WITH J+J ACTUATOR

CÓDIGOS VÁLVULAS DE BOLA SERIE INDUSTRIAL CON ACTUADOR J+J

	ELLECTRICALLY ACTUATED VALVE VÁLVULA CON ACTUADOR ELÉCTRICO		ELLECTRICALLY ACTUATED VALVE + BSR SAFETY BLOCK VÁLVULA CON ACTUADOR ELÉCTRICO + BLOQUE DE SEGURIDAD BSR
	24 VAC/VDC	85-240 VAC/VDC	24-240 VAC/VDC
PVC-U BALL VALVE INDUSTRIAL SERIES (PTFE-EPDM) VÁLVULA DE BOLA PVC-U SERIE INDUSTRIAL (PTFE-EPDM)			
DN10 - D16	29490	31420	26417
DN15 - D20	29491	31421	05366
DN20 - D25	29492	31422	05367
DN25 - D32	29493	31423	05368
DN32 - D40	29494	31424	05369
	24-240 VAC/VDC		24-240 VAC/VDC
DN40 - D50	02628		05370
DN50 - D63	02629		05371
DN65 - D75	02630		05372
DN80 - D90	02631		05373
DN100 - D110	26415		26419
PVC-U BALL VALVE INDUSTRIAL SERIES (PTFE-FPM) VÁLVULA DE BOLA PVC-U SERIE INDUSTRIAL (PTFE-FPM)			
DN10 - D16	29570	31425	29600
DN15 - D20	29571	31426	29601
DN20 - D25	29572	31427	29602
DN25 - D32	59573	31428	29603
DN32 - D40	29574	31429	29604
	24-240 VAC/VDC		24-240 VAC/VDC
DN40 - D50	29585		29605
DN50 - D63	29586		29606
DN65 - D75	29587		29607
DN80 - D90	29588		29608
DN100 - D110	29589		29609

These codes are only for the PVC-U valve with solvent socket unions, for more configuration, go to Actuated valves Code Generator (page 274)

Estos códigos son sólo para válvulas de PVC-U con uniones encoladas, para más configuraciones, ver el Generador de códigos de válvulas actuadas (Página 274)

SPARE PARTS CODES FOR J+J ACTUATOR CÓDIGOS DE RECAMBIOS ACTUADOR J+J



	ELECTRIC ACTUATOR ACTUADOR ELÉCTRICO		ACTUATOR + BSR ACTUADOR + BSR	ACTUATOR + DPS ACTUADOR + DPS	ACTUATOR + BSR + DPS ACTUADOR + BSR + DPS	Kit BSR Page 370 <i>Only for J4C act. Other models *</i>	ACTUATION KIT * KIT ACTUACIÓN *	
	24 VAC/VDC	85-240 VAC/VDC	24-240 VAC/VDC	24-240 VAC/VDC	24-240 VAC/VDC		w/o BSR	w BSR
DN10 - D16	30671 J2 L010	30676 J2 H010	30849 J4C S020	30857 J4C S020	65276 J4C S020	74213	30570	56852
DN15 - D20	30671 J2 L010	30676 J2 H010	30849 J4C S020	30857 J4C S020	65276 J4C S020	74213	30571	56853
DN20 - D25	30671 J2 L010	30676 J2 H010	30849 J4C S020	30857 J4C S020	65276 J4C S020	74213	30572	56854
DN25 - D32	30671 J2 L010	30676 J2 H010	30849 J4C S020	30857 J4C S020	65276 J4C S020	74213	30573	56855
DN32 - D40	30671 J2 L010	30676 J2 H010	30849 J4C S020	30857 J4C S020	65276 J4C S020	74213	30574	56856
DN40 - D50	46652 J4C S020		30849 J4C S020	30857 J4C S020	65276 J4C S020	74213	30575	30575
DN50 - D63	56652 J4C S020		30849 J4C S020	30857 J4C S020	65276 J4C S020	74213	30576	30576
DN65 - D75	30677 J4C S055		30850 J4C S055	30858 J4C S055	65278 J4C S055	74213	30577	30577
DN80 - D90	46654 J4C S085		53834 J4C S085	10065 J4C S085	65280 J4C S085	74213	30578	30578
DN100 - D110	30678 J4C S140		30851 J4C H140	30859 J4C S140	65282 J4C S140	74214	30579	30579

* Kit BSR
J3C S20 - J3C S85 : **CODE 72730**
J3C 140 - J3C 300 : **CODE 66354**

*** ACTUATION KIT**
*** KIT DE ACTUACIÓN**

The kit includes all the necessary elements to connect the ball valve with the actuator and it is ready for all the brands of actuators following the ISO 5211 regulation.
Components: coupling bush, bolts, mounting clamp.

El kit incluye todos los elementos necesarios para conectar la válvula de bola con el actuador y es compatible con todas las marcas de actuadores que siguen la norma ISO 5211.
Componentes: pieza conexión, tornillería, soporte actuación.

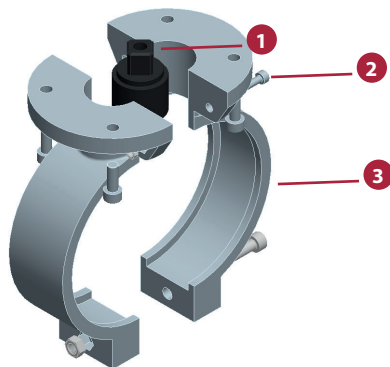


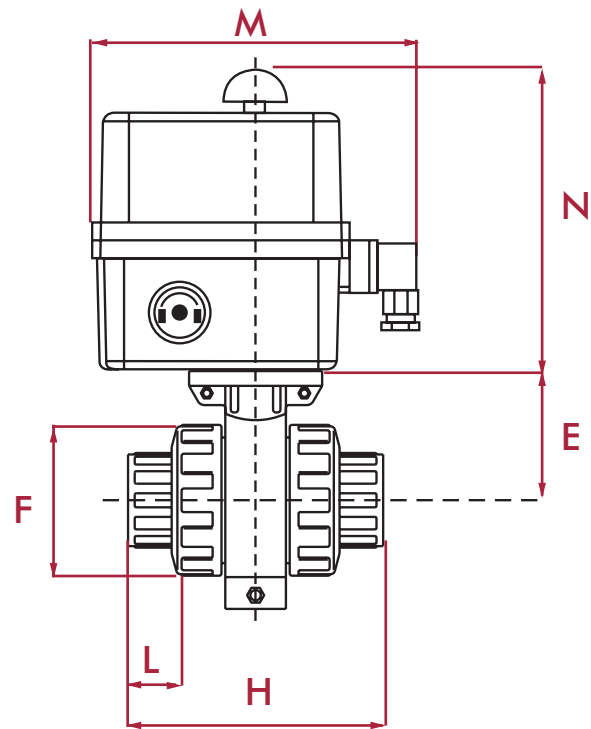
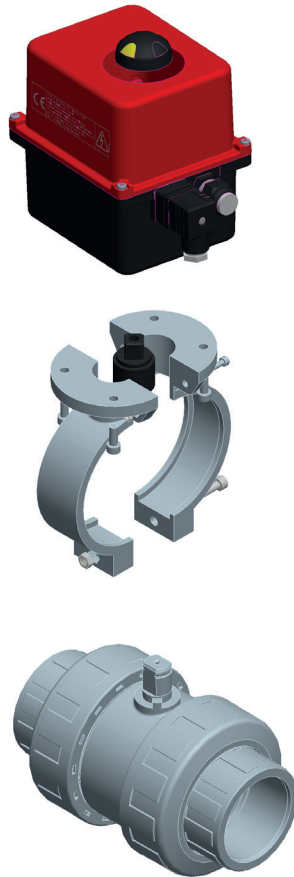
FIG.	Parts	Despiece	Material
1	Coupling bush	Conexión	Alluminium
2	Screws DIN-912	Tornillos DIN-912	SS AISI-304
3	Mounting clamp	Soporte actuación	PVC-U

See the actuator instructions manual for more information of each actuator.
Consultar manual de instrucciones del actuador para más información de cada actuador.

ELECTRIC ACTUATION - BALL VALVES INDUSTRIAL SERIES

ACTUACIÓN ELÉCTRICA - VÁLVULAS DE BOLA SERIE INDUSTRIAL

Options	Características técnicas
[IND] Series Ball Valve with reversible electric actuator multi-voltage	Válvula de bola Serie [IND] con actuador eléctrico reversible multivoltaje
Electronic torque control, with limitation of maximum torque	Control electrónico del par, con limitación de par máximo
Actuator guaranteed for 50.000 cycles with a duty rating of 30%	Actuador garantizado para 50.000 ciclos con un tiempo bajo tensión del 30%
Automatic / manual lever, with manual override	Selector automático/manual, con mando manual de emergencia
Open and closed volt free contacts	Contactos auxiliares de final de posición
Enclosure in anticorrosive polyamide	Cuerpo y tapa en poliamida anti-corrosivo



L - pipe insertion size

SIZES (MM)
MEDIDAS (MM)

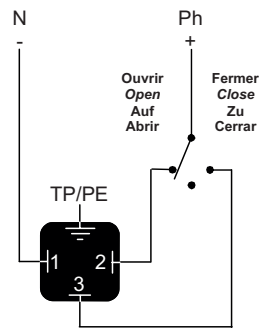
DN	D	L	H	E	F	M	N	Weight (kg.)
10	16	14	84	52	64	178	152	2,20
15	20	16	84	52	64	178	152	2,20
20	25	19	108	62	64	178	152	2,00
25	32	22	124	70	74	178	152	2,40
32	40	26	142	84	74	178	152	2,30
40	50	31	167	104	88	178	152	2,75
50	63	38	198	120	88	178	152	3,50
65	75	44	232	148	123	193	176	5,80
80	90	51	269	179	123	193	176	7,60
100	110	61	275	179	165	275	258	15,8

ACTUATOR CHARACTERISTICS
CARACTERÍSTICAS ACTUADOR

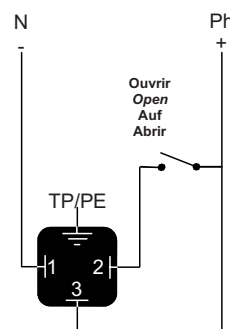


Model	Voltage	Operation time	Maximum torque	Max. Consumption	IP rating	Duty rating	Temperature	Limit switch	Plugs
ER20	24 VAC/VDC 100-240 VAC	7 s 9 s	20 Nm 177 in-lbf	15 W	IP 65	30%	-10° / 55° C 14° / 131° F	4 SPTD	1 DIN 43650 1 gland / prensaestopas
ER60	24 VAC/VDC 100-240 VAC	10 s 14 s	60 Nm 531 in-lbf	45 W	IP 65	30%	-10° / 55° C 14° / 131° F	4 SPTD	1 DIN 43650 1 gland / prensaestopas
VS150	24 VAC/VDC 100-240 VAC	30 s	150 Nm 1327,5 in-lbf	45 W	IP 65	30%	-10° / 55° C 14° / 131° F	4 SPTD	2 glands / prensaestopas

CONNECTION ELECTRICAL DIAGRAM
ESQUEMA ELÉCTRICO DE CONEXIÓN



3 points modulating mode
Modo 3 puntos modulantes



Open/close mode
Modo cerrado/abierto

COMPLETE RANGE
GAMA COMPLETA

SIZE Diam.	VALPES	Material Material	Seats / O-rings Asientos / Juntas	Unions Uniones	Standards Standards
D16 (3/8") - DN10	ER20	PVC-U	PTFE / EPDM	Solvent socket	ISO/DIN, ASTM, BS, JIS
		PVC-C	PTFE / FPM	Threaded Flanges	BSP, NPT ISO/DIN
D20 (1/2") - DN15	ER20	PVC-U	PTFE / EPDM	Solvent socket	ISO/DIN, ASTM, BS, JIS
		PVC-C	PTFE / FPM	Threaded Flanges	BSP, NPT ISO/DIN
D25 (3/4") - DN20	ER20	PVC-U	PTFE / EPDM	Solvent socket	ISO/DIN, ASTM, BS, JIS
		PVC-C	PTFE / FPM	Threaded Flanges	BSP, NPT ISO/DIN
D32 (1") - DN25	ER20	PVC-U	PTFE / EPDM	Solvent socket	ISO/DIN, ASTM, BS, JIS
		PVC-C	PTFE / FPM	Threaded Flanges	BSP, NPT ISO/DIN
D40 (1 1/4") - DN32	ER20	PVC-U	PTFE / EPDM	Solvent socket	ISO/DIN, ASTM, BS, JIS
		PVC-C	PTFE / FPM	Threaded Flanges	BSP, NPT ISO/DIN
D50 (1 1/2") - DN40	ER20	PVC-U	PTFE / EPDM	Solvent socket	ISO/DIN, ASTM, BS, JIS
		PVC-C	PTFE / FPM	Threaded Flanges	BSP, NPT ISO/DIN
D63 (2") - DN50	ER20	PVC-U	PTFE / EPDM	Solvent socket	ISO/DIN, ASTM, BS, JIS
		PVC-C	PTFE / FPM	Threaded Flanges	BSP, NPT ISO/DIN
D75 (2 1/2") - DN65	ER60	PVC-U	PTFE / EPDM	Solvent socket	ISO/DIN, ASTM, BS, JIS
		PVC-C	PTFE / FPM	Threaded Flanges	BSP, NPT ISO/DIN
D90 (3") - DN80	ER60	PVC-U	PTFE / EPDM	Solvent socket	ISO/DIN, ASTM, BS, JIS
		PVC-C	PTFE / FPM	Threaded Flanges	BSP, NPT ISO/DIN
D110 (4") - DN100	VS150	PVC-U	PTFE / EPDM	Solvent socket	ISO/DIN, ASTM, BS, JIS
		PVC-C	PTFE / FPM	Threaded Flanges	BSP, NPT ISO/DIN

CODES FOR BALL VALVES INDUSTRIAL SERIES WITH VALPES ACTUATOR

CÓDIGOS VÁLVULAS DE BOLA SERIE INDUSTRIAL CON ACTUADOR VALPES

	ELLECTRICALLY ACTUATED VALVE	
	VÁLVULA CON ACTUADOR ELÉCTRICO	
	24 VAC/VDC	100-240 VAC
	PVC-U BALL VALVE INDUSTRIAL SERIES (PTFE-EPDM) VÁLVULA DE BOLA PVC-U SERIE INDUSTRIAL (PTFE-EPDM)	
DN10 - D16	29530	29510
DN15 - D20	29531	29511
DN20 - D25	29532	29512
DN25 - D32	29533	29513
DN32 - D40	29534	29514
DN40 - D50	29535	29515
DN50 - D63	29536	29516
DN65 - D75	29537	29517
DN80 - D90	29538	29518
DN100 - D110	29539	29519
	PVC-U BALL VALVE INDUSTRIAL SERIES (PTFE-FPM) VÁLVULA DE BOLA PVC-U SERIE INDUSTRIAL (PTFE-FPM)	
DN10 - D16	29630	29610
DN15 - D20	29631	29611
DN20 - D25	29632	29612
DN25 - D32	29633	29613
DN32 - D40	29634	29614
DN40 - D50	29635	29615
DN50 - D63	29636	29616
DN65 - D75	29637	29617
DN80 - D90	29638	29618
DN100 - D110	29639	29619

These codes are only for the PVC-U valve with solvent socket unions, for more configuration, go to Actuated valves Code Generator (page 274)

Estos códigos son sólo para válvulas de PVC-U con uniones encoladas, para más configuraciones, ver el Generador de códigos de válvulas actuadas (Página 274)

SPARE PARTS CODES FOR VALPES ACTUATOR CÓDIGOS DE RECAMBIOS ACTUADOR VALPES



	ELECTRIC ACTUATOR		ACTUATION KIT *
	ACTUADOR ELÉCTRICO		KIT ACTUACIÓN *
	24 VAC/VDC	100-240 VAC	
DN10 - D16	30692 ER20	30682 ER20	30580
DN15 - D20	30692 ER20	30682 ER20	30581
DN20 - D25	30692 ER20	30682 ER20	30582
DN25 - D32	30692 ER20	30682 ER20	30583
DN32 - D40	30692 ER20	30682 ER20	30584
DN40 - D50	30692 ER20	30682 ER20	30585
DN50 - D63	30692 ER20	30682 ER20	30586
DN65 - D75	30693 ER60	30683 ER60	30587
DN80 - D90	30693 ER60	30683 ER60	30588
DN100 - D110	30694 VS150	30684 VS150	30589

*** ACTUATION KIT**
*** KIT DE ACTUACIÓN**

The kit includes all the necessary elements to connect the ball valve with the actuator and it is ready for all the brands of actuators following the ISO 5211 regulation.
Components: coupling bush, bolts, mounting clamp.

El kit incluye todos los elementos necesarios para conectar la válvula de bola con el actuador y es compatible con todas las marcas de actuadores que siguen la norma ISO 5211.
Componentes: pieza conexión, tornillería, soporte actuación.

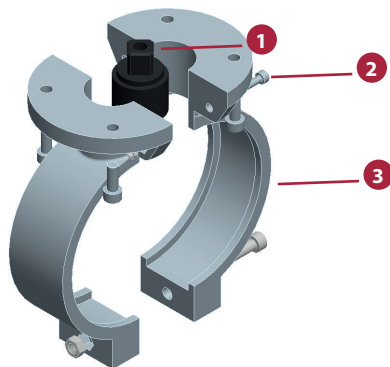


FIG.	Parts	Despiece	Material
1	Coupling bush	Conexión	Alluminium
2	Screws DIN-912	Tornillos DIN-912	SS AISI-304
3	Mounting clamp	Soporte actuación	PVC-U

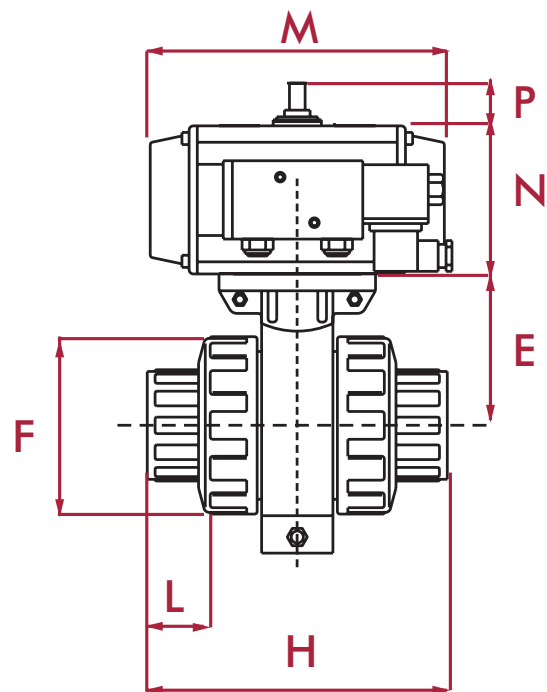
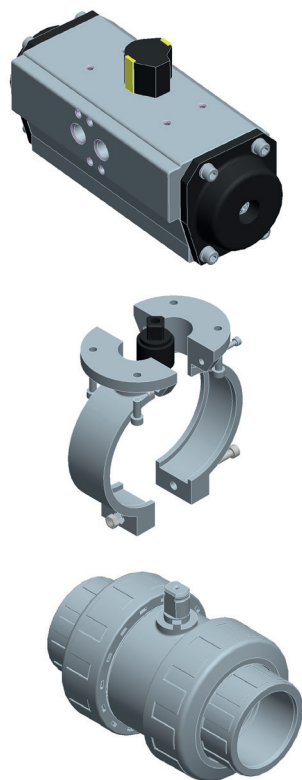
See the actuator instructions manual for more information of each actuator.
Consultar manual de instrucciones del actuador para más información de cada actuador.

PNEUMATIC ACTUATION (SPRING RETURN) - BALL VALVES INDUSTRIAL SERIES

ACTUACIÓN NEUMÁTICA (SIMPLE EFECTO) - VÁLVULAS DE BOLA SERIE INDUSTRIAL



Technical Characteristics	Características técnicas
Industrial Series Ball valve with pneumatic actuator made of anodized aluminum	Válvula de bola Serie Industrial con actuador neumático de aluminio anodizado
Rack and pinion drive	Transmisión por piñón-cremallera
Compact design	Diseño compacto
Fast maneuvering	Rápida maniobra
Valve position visualization	Visualización de posición de la válvula
NAMUR connection that allows the assembly of the solenoid valve	Conexión NAMUR que permite el montaje de la electroválvula
Final position regulation in the actuator (+/- 5°)	Regulación de final de carrera del actuador (+/- 5°)
Options	Opciones
Limit switch box	Final de carrera
Solenoid valve	Electroválvula
Relief regulators	Reguladores de escape



L - pipe insertion size

SIZES (MM)
MEDIDAS (MM)

DN	D	L	H	E	F	M	N	P	Weight (Kg)
10	16	14	84	52	64	138	67	20	2,20
15	20	16	84	52	64	138	67	20	1,85
20	25	19	108	62	64	138	67	20	1,98
25	32	22	124	70	74	155,5	83	20	2,80
32	40	26	142	84	74	155,5	83	20	3,00
40	50	31	167	104	88	210	100	20	5,20
50	63	38	198	120	88	210	100	20	5,70
65	75	44	232	148	123	280,5	125	20	10,77
80	90	51	269	179	123	280,5	125	20	12,50
100	110	61	275	179	165	362	155	30	25,00

**ACTUATOR TORQUE
PAR ACTUADOR**



bar	Air torque at indicated pressure								Spring torque	
	5		6		7		8			
	72.8		87.4		102		116.5			
psi									OPEN TO CLOSED	CLOSED
6 spr./side	CLOSED TO OPEN	OPEN	CLOSED TO OPEN	OPEN	CLOSED TO OPEN	OPEN	CLOSED TO OPEN	OPEN		
CH050 SR	8,4 Nm 74,34 in-lbf	3,9 Nm 34,52 in-lbf	11,5 Nm 101,8 in-lbf	7,0 Nm 61,95 in-lbf	14,5 Nm 128,3 in-lbf	10,0 Nm 88,5 in-lbf	17,6 Nm 155,8 in-lbf	13,1 Nm 115,9 in-lbf	11,5 Nm 101,8 in-lbf	7,0 Nm 61,95 in-lbf
CH063 SR	15,0 Nm 132,8 in-lbf	7,0 Nm 61,95 in-lbf	20,5 Nm 181,4 in-lbf	12,5 Nm 110,6 in-lbf	26,0 Nm 230,1 in-lbf	18,0 Nm 169,3 in-lbf	31,5 Nm 278,8 in-lbf	23,5 Nm 207,9 in-lbf	20,5 Nm 181,4 in-lbf	12,5 Nm 110,6 in-lbf
CH075 SR	33,4 Nm 295,6 in-lbf	13,6 Nm 120,4 in-lbf	45,1 Nm 399,1 in-lbf	25,3 Nm 223,9 in-lbf	56,8 Nm 502,7 in-lbf	37,0 Nm 327,5 in-lbf	68,5 Nm 606,2 in-lbf	48,7 Nm 430,99 in-lbf	45,1 Nm 399,1 in-lbf	25,3 Nm 223,9 in-lbf
CH100 SR	78,7 Nm 695,5 in-lbf	32,3 Nm 285,9 in-lbf	106,4 Nm 941,6 in-lbf	60,0 Nm 531 in-lbf	134,1 Nm 1.186,78 in-lbf	87,7 Nm 776,1 in-lbf	161,8 Nm 1.431,93 in-lbf	115,4 Nm 1.021,29 in-lbf	106,4 Nm 941,6 in-lbf	60,0 Nm 531 in-lbf
CH125 SR	173,4 Nm 1.534,59 in-lbf	67,4 Nm 596,5 in-lbf	233,6 Nm 2.067,36 in-lbf	127,5 Nm 1.128,37 in-lbf	293,7 Nm 2.599,24 in-lbf	187,6 Nm 1.660,26 in-lbf	353,8 Nm 3.131,13 in-lbf	247,7 Nm 2.192,14 in-lbf	233,6 Nm 2.067,56 in-lbf	127,5 Nm 1.128,37 in-lbf

· **Operating description:** In a pneumatic actuated valve (spring return, normally closed), the valve opens by the effect of the air impulsion inside the actuator (which has to surpass the springs resistance) and closes by the resistance of the springs when there is not air impulsion.

· **Descripción operativa:** En una válvula con actuador neumático de simple efecto normalmente cerrada, la válvula abre por efecto de la fuerza ejercida por la presión de aire (que debe vencer la fuerza de los muelles) y cierra por el efecto de la fuerza de los muelles en ausencia del aire a presión.

**OPERATING TIME
TIEMPO DE ABERTURA/CIERRE**

	Opening time	Closing time
CH050 SR	0,6 s	0,6 s
CH063 SR	0,7 s	0,9 s
CH075 SR	0,7 s	1 s
CH100 SR	1,1 s	1,3 s
CH125 SR	1,3 s	2,1 s

**AIR CONSUMPTION
CONSUMO DE AIRE**

	Volume
CH050 SR	0,07 l
CH063 SR	0,23 l
CH075 SR	0,61 l
CH100 SR	1,80 l
CH125 SR	3,70 l

**COMPLETE RANGE
GAMA COMPLETA**

SIZE Diam.	CH-AIR	Material Material	Seats / O-rings Asientos / Juntas	Unions Uniones	Standards Standards
D16 (3/8") - DN15	CH050 SR	PVC-U	PTFE / EPDM	Solvent socket	ISO/DIN, ASTM, BS, JIS
		PVC-C	PTFE / FPM	Threaded Flanges	BSP, NPT ISO/DIN
D20 (1/2") - DN15	CH050 SR	PVC-U	PTFE / EPDM	Solvent socket	ISO/DIN, ASTM, BS, JIS
		PVC-C	PTFE / FPM	Threaded Flanges	BSP, NPT ISO/DIN
D25 (3/4") - DN20	CH050 SR	PVC-U	PTFE / EPDM	Solvent socket	ISO/DIN, ASTM, BS, JIS
		PVC-C	PTFE / FPM	Threaded Flanges	BSP, NPT ISO/DIN
D32 (1") - DN25	CH063 SR	PVC-U	PTFE / EPDM	Solvent socket	ISO/DIN, ASTM, BS, JIS
		PVC-C	PTFE / FPM	Threaded Flanges	BSP, NPT ISO/DIN
D40 (1 1/4") - DN32	CH063 SR	PVC-U	PTFE / EPDM	Solvent socket	ISO/DIN, ASTM, BS, JIS
		PVC-C	PTFE / FPM	Threaded Flanges	BSP, NPT ISO/DIN
D50 (1 1/2") - DN40	CH075 SR	PVC-U	PTFE / EPDM	Solvent socket	ISO/DIN, ASTM, BS, JIS
		PVC-C	PTFE / FPM	Threaded Flanges	BSP, NPT ISO/DIN
D63 (2") - DN50	CH075 SR	PVC-U	PTFE / EPDM	Solvent socket	ISO/DIN, ASTM, BS, JIS
		PVC-C	PTFE / FPM	Threaded Flanges	BSP, NPT ISO/DIN
D75 (2 1/2") - DN65	CH0100 SR	PVC-U	PTFE / EPDM	Solvent socket	ISO/DIN, ASTM, BS, JIS
		PVC-C	PTFE / FPM	Threaded Flanges	BSP, NPT ISO/DIN
D90 (3") - DN80	CH0100 SR	PVC-U	PTFE / EPDM	Solvent socket	ISO/DIN, ASTM, BS, JIS
		PVC-C	PTFE / FPM	Threaded Flanges	BSP, NPT ISO/DIN
D110 (4") - DN100	CH125 SR	PVC-U	PTFE / EPDM	Solvent socket	ISO/DIN, ASTM, BS, JIS
		PVC-C	PTFE / FPM	Threaded Flanges	BSP, NPT ISO/DIN



CODES FOR BALL VALVES INDUSTRIAL SERIES WITH CH-AIR ACTUATOR (SPRING RETURN) CÓDIGOS VÁLVULAS DE BOLA SERIE INDUSTRIAL CON ACTUADOR CH-AIR (SIMPLE EFECTO)

	PNEUMATICALLY ACTUATED VALVE VÁLVULA CON ACTUADOR NEUMÁTICO	PNEUMATICALLY ACTUATED VALVE + Solenoid valve (220VAC) + Limit switch box + relief regula- tors *
	Spring return NC ** Simple efecto NC **	Spring return NC ** Simple efecto NC **
	PVC-U BALL VALVE INDUSTRIAL SERIES (PTFE-EPDM) VÁLVULA DE BOLA PVC-U SERIE INDUSTRIAL (PTFE-EPDM)	
DN10 - D16	26433	26429
DN15 - D20	05414	05304
DN20 - D25	05415	05305
DN25 - D32	05416	05306
DN32 - D40	05417	05307
DN40 - D50	05418	05308
DN50 - D63	05419	05309
DN65 - D75	05420	05310
DN80 - D90	05421	05311
DN100 - D110	26435	26431
	PVC-U BALL VALVE INDUSTRIAL SERIES (PTFE-FPM) VÁLVULA DE BOLA PVC-U SERIE INDUSTRIAL (PTFE-FPM)	
DN10 - D16	29923	29943
DN15 - D20	29924	29944
DN20 - D25	29925	29945
DN25 - D32	29926	29946
DN32 - D40	29927	29947
DN40 - D50	29928	29948
DN50 - D63	29929	29949
DN65 - D75	29930	29950
DN80 - D90	29931	29951
DN100 - D110	29932	29952

* KIT: Electric valve (220VAC), limit switch-box and relief regulators . Read technical characteristics in page 372

* KIT: *Electroválvula (220 VAC), final de carrera y reguladores de escape . Ver características técnicas en página 372*

** Standard configuration: Normally Closed NC, ask for Normally Open (NO) configuration.

** *Por defecto Normalmente Cerrado NC, consultar para configuración Normalmente Abierto*

These codes are only for the PVC-U valve with solvent socket unions, for more configuration, go to Actuated valves Code Generator (page 274)

Estos códigos son sólo para válvulas de PVC-U con uniones encoladas, para más configuraciones, ver el Generador de códigos de válvulas actuadas (Página 274)

SPARE PARTS CODES FOR CH-AIR ACTUATOR (SPRING RETURN) CÓDIGOS DE RECAMBIOS ACTUADOR CH-AIR (SIMPLE EFECTO)



	PNEUMATIC ACTUATOR <i>ACTUADOR NEUMÁTICO</i>	SOLENOID VALVE <i>Page 373</i> <i>ELECTROVÁLVULA</i>	LIMIT SWITCH BOX <i>Page 375</i> <i>FINAL DE CARRERA</i>	RELIEF REGULATORS <i>REGULADORES ESCAPE</i>	ACTUATION KIT * <i>KIT ACTUACIÓN *</i>
	Spring return	230 VAC*			
DN10 - D16	30712 CH050 SR	30737	30744	30745	30600
DN15 - D20	30712 CH050 SR	30737	30744	30745	30601
DN20 - D25	30712 CH050 SR	30737	30744	30745	30602
DN25 - D32	30713 CH063 SR	30737	30743	30745	30603
DN32 - D40	30713 CH063 SR	30737	30743	30745	30604
DN40 - D50	30714 CH075 SR	30737	30743	30745	30605
DN50 - D63	30714 CH075 SR	30737	30743	30745	30606
DN65 - D75	30715 CH100 SR	30737	30743	30745	30607
DN80 - D90	30715 CH100 SR	30737	30743	30745	30608
DN100 - D110	30716 CH125 SR	30737	30743	30745	30609

* Solenoid valve:

* *Electroválvula:*

12 VAC	30738
12 VDC	30739
24 VAC	30740
24 VDC	30722
110 VAC	30741
110 VDC	30742

* **ACTUATION KIT*** **KIT DE ACTUACIÓN**

The kit includes all the necessary elements to connect the ball valve with the actuator and it is ready for all the brands of actuators following the ISO 5211 regulation.

Components: coupling bush, bolts, mounting clamp.

El kit incluye todos los elementos necesarios para conectar la válvula de bola con el actuador y es compatible con todas las marcas de actuadores que siguen la norma ISO 5211.

Componentes: pieza conexión, tornillería, soporte actuación.

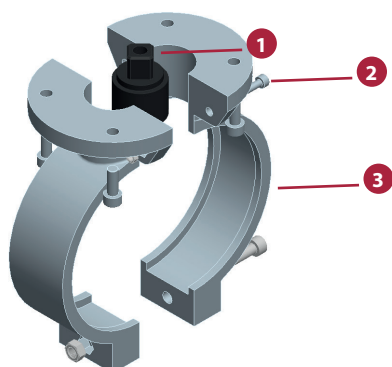


FIG.	Parts	Despiece	Material
1	Coupling bush	Conexión	Alluminium
2	Screws DIN-912	Tornillos DIN-912	SS AISI-304
3	Mounting clamp	Soporte actuación	PVC-U

See the actuator instructions manual for more information of each actuator.

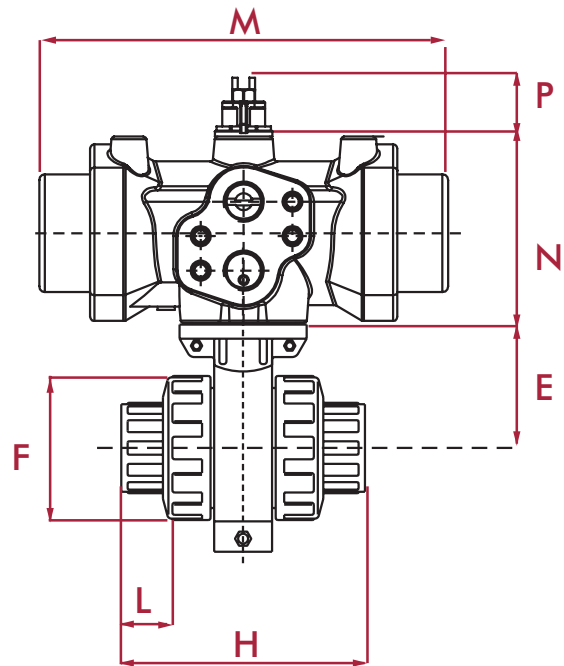
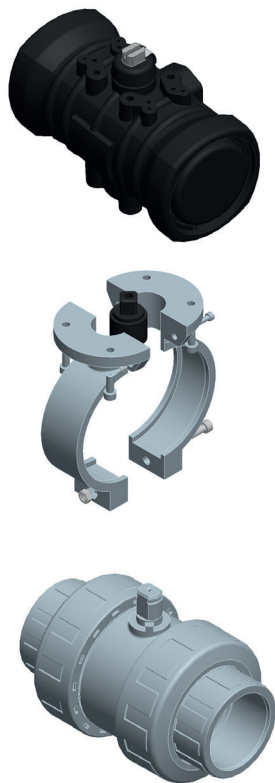
Consultar manual de instrucciones del actuador para más información de cada actuador.

PNEUMATIC ACTUATION (SPRING RETURN) - BALL VALVES INDUSTRIAL SERIES

ACTUACIÓN NEUMÁTICA (SIMPLE EFECTO) - VÁLVULAS DE BOLA SERIE INDUSTRIAL

Technical Characteristics	Características técnicas
Industrial Series Ball valve with pneumatic actuator made of polyamide + glass fiber	Válvula de bola Serie Industrial con actuador neumático de poliamida + fibra de vidrio
Rack and pinion drive	Transmisión por piñón-cremallera
High resistance to corrosion	Alta resistencia a la corrosión
Fast maneuvering	Rápida maniobra
Valve position visualization	Visualización de posición de la válvula
NAMUR connection that allows the assembly of the solenoid valve	Conexión NAMUR que permite el montaje de la electroválvula

Options	Opciones
Limit switch box	Final de carrera
Solenoid valve	Electroválvula
Relief regulators	Reguladores de escape



L - pipe insertion size

SIZES (MM)
MEDIDAS (MM)

DN	D	L	H	E	F	M	N	P	Weight (Kg)
10	16	14	84	52	64	144	69	20	0,10
15	20	16	84	52	64	144	69	20	2,25
20	25	19	108	62	64	144	69	20	1,32
25	32	22	124	70	74	157	82	20	2,00
32	40	26	142	84	74	157	82	20	2,16
40	50	31	167	104	88	230	103	20	4,10
50	63	38	198	120	88	230	103	20	4,60
65	75	44	232	148	123	313	127	20	8,80
80	90	51	269	179	123	313	127	20	11,5



**ACTUATOR TORQUE
PAR ACTUADOR**

bar	Air torque at indicated pressure								Spring torque	
	5		6		7		8			
	72.8		87.4		102		116.5		OPEN TO CLOSED	CLOSED
6 spr./side	CLOSED TO OPEN	OPEN	CLOSED TO OPEN	OPEN	CLOSED TO OPEN	OPEN	CLOSED TO OPEN	OPEN		
PPWS	7,4 Nm 65,5 in-lbf	4,1 Nm 36,3 in-lbf	10,3 Nm 91,2 in-lbf	7 Nm 62 in-lbf	13,1 Nm 115,9 in-lbf	9,8 Nm 86,7 in-lbf	16,2 Nm 143,4 in-lbf	12,9 Nm 114,2 in-lbf	10 Nm 88,5 in-lbf	6,7 Nm 69,3 in-lbf
PP00S	10,7 Nm 94,7 in-lbf	4,6 Nm 40,7 in-lbf	15,8 Nm 139,8 in-lbf	9,7 Nm 85,8 in-lbf	20,9 Nm 185,0 in-lbf	14,8 Nm 131,0 in-lbf	26 Nm 230,1 in-lbf	19,9 Nm 176,1 in-lbf	18,8 Nm 166,4 in-lbf	12,7 Nm 112,4 in-lbf
PP10S	27,5 Nm 243,4 in-lbf	12,7 Nm 112,4 in-lbf	40,2 Nm 355,8 in-lbf	25,4 Nm 224,8 in-lbf	52,9 Nm 468,2 in-lbf	38,1 Nm 337,2 in-lbf	65,6 Nm 580,6 in-lbf	50,8 Nm 449,6 in-lbf	45,6 Nm 403,6 in-lbf	30,8 Nm 272,6 in-lbf
PP20S	70,5 Nm 624 in-lbf	31,6 Nm 279,7 in-lbf	99,7 Nm 882,4 in-lbf	60,8 Nm 538,1 in-lbf	129 Nm 1.142 in-lbf	90,1 Nm 797 in-lbf	158,2 Nm 1.400 in-lbf	119,3 Nm 1.056 in-lbf	104,7 Nm 927,7 in-lbf	65,8 Nm 582,4 in-lbf

· **Operating description:** In a pneumatic actuated valve (spring return, normally closed), the valve opens by the effect of the air impulsion inside the actuator (which has to surpass the springs resistance) and closes by the resistance of the springs when there is not air impulsion.

· **Descripción operativa:** En una válvula con actuador neumático de simple efecto normalmente cerrada, la válvula abre por efecto de la fuerza ejercida por la presión de aire (que debe vencer la fuerza de los muelles) y cierra por el efecto de la fuerza de los muelles en ausencia del aire a presión.

**OPERATING TIME
TIEMPO DE ABERTURA/CIERRE**

	Opening time	Closing time
PPWS	0,15 s	0,15 s
PP00S	0,2 s	0,2 s
PP10S	0,3 s	0,3 s
PP20S	0,5 s	0,5 s

**AIR CONSUMPTION
CONSUMO DE AIRE**

	Volume
PPWS	0,075 l
PP00S	0,15 l
PP10S	0,35 l
PP20S	0,8 l

**COMPLETE RANGE
GAMA COMPLETA**

SIZE Diam.	PRISMA	Material Material	Seats / O-rings Asientos / Juntas	Unions Uniones	Standards Standards
D16 (3/8") - DN15	PPWS	PVC-U	PTFE / EPDM	Solvent socket	ISO/DIN, ASTM, BS, JIS
		PVC-C	PTFE / FPM	Threaded Flanges	BSP, NPT ISO/DIN
D20 (1/2") - DN15	PPWS	PVC-U	PTFE / EPDM	Solvent socket	ISO/DIN, ASTM, BS, JIS
		PVC-C	PTFE / FPM	Threaded Flanges	BSP, NPT ISO/DIN
D25 (3/4") - DN20	PPWS	PVC-U	PTFE / EPDM	Solvent socket	ISO/DIN, ASTM, BS, JIS
		PVC-C	PTFE / FPM	Threaded Flanges	BSP, NPT ISO/DIN
D32 (1") - DN25	PP00S	PVC-U	PTFE / EPDM	Solvent socket	ISO/DIN, ASTM, BS, JIS
		PVC-C	PTFE / FPM	Threaded Flanges	BSP, NPT ISO/DIN
D40 (1 1/4") - DN32	PP00S	PVC-U	PTFE / EPDM	Solvent socket	ISO/DIN, ASTM, BS, JIS
		PVC-C	PTFE / FPM	Threaded Flanges	BSP, NPT ISO/DIN
D50 (1 1/2") - DN40	PP10S	PVC-U	PTFE / EPDM	Solvent socket	ISO/DIN, ASTM, BS, JIS
		PVC-C	PTFE / FPM	Threaded Flanges	BSP, NPT ISO/DIN
D63 (2") - DN50	PP10S	PVC-U	PTFE / EPDM	Solvent socket	ISO/DIN, ASTM, BS, JIS
		PVC-C	PTFE / FPM	Threaded Flanges	BSP, NPT ISO/DIN
D75 (2 1/2") - DN65	PP20S	PVC-U	PTFE / EPDM	Solvent socket	ISO/DIN, ASTM, BS, JIS
		PVC-C	PTFE / FPM	Threaded Flanges	BSP, NPT ISO/DIN
D90 (3") - DN80	PP20S	PVC-U	PTFE / EPDM	Solvent socket	ISO/DIN, ASTM, BS, JIS
		PVC-C	PTFE / FPM	Threaded Flanges	BSP, NPT ISO/DIN



CODES FOR BALL VALVES INDUSTRIAL SERIES WITH PRISMA ACTUATOR (SPRING RETURN)

CÓDIGOS VÁLVULAS DE BOLA SERIE INDUSTRIAL CON ACTUADOR PRISMA (SIMPLE EFECTO)

	PNEUMATICALLY ACTUATED VALVE VÁLVULA CON ACTUADOR NEUMÁTICO	PNEUMATICALLY ACTUATED VALVE + Solenoid valve (220VAC) + Limit switch box + relief regulators * VÁLVULA CON ACTUADOR NEUMÁTICO + Electroválvula (220VAC) + Final de carrera + reguladores de escape *
	Spring return NC ** Simple efecto NC **	Spring return NC ** Simple efecto NC **
	PVC-U BALL VALVE INDUSTRIAL SERIES (PTFE-EPDM) VÁLVULA DE BOLA PVC-U SERIE INDUSTRIAL (PTFE-EPDM)	
DN10 - D16	29885	29904
DN15 - D20	29886	29905
DN20 - D25	29887	29906
DN25 - D32	29888	29907
DN32 - D40	29889	29908
DN40 - D50	29890	29909
DN50 - D63	29891	29910
DN65 - D75	29892	29911
DN80 - D90	29893	29912
	PVC-U BALL VALVE INDUSTRIAL SERIES (PTFE-FPM) VÁLVULA DE BOLA PVC-U SERIE INDUSTRIAL (PTFE-FPM)	
DN10 - D16	29963	29982
DN15 - D20	29964	29983
DN20 - D25	29965	29984
DN25 - D32	29966	29985
DN32 - D40	29967	29986
DN40 - D50	29968	29987
DN50 - D63	29969	29988
DN65 - D75	29970	29989
DN80 - D90	29971	29990

* KIT: Electric valve (220VAC), limit switch-box and relief regulators . Read technical characteristics in page 372

* KIT: Electroválvula (220 VAC), final de carrera y reguladores de escape . Ver características técnicas en página 372

** Standard configuration: Normally Closed NC, ask for Normally Open (NO) configuration.

** Por defecto Normalmente Cerrado NC, consultar para configuración Normalmente Abierto

These codes are only for the PVC-U valve with solvent socket unions, for more configuration, go to Actuated valves Code Generator (page 274)

Estos códigos son sólo para válvulas de PVC-U con uniones encoladas, para más configuraciones, ver el Generador de códigos de válvulas actuadas (Página 274)

SPARE PARTS CODES FOR PRISMA ACTUATOR (SPRING RETURN) CÓDIGOS DE RECAMBIOS ACTUADOR PRISMA (SIMPLE EFECTO)



	PNEUMATIC ACTUATOR <i>ACTUADOR NEUMÁTICO</i>	SOLENOID VALVE <i>Page 374</i> <i>ELECTROVÁLVULA</i>	LIMIT SWITCH BOX <i>Page 376</i> <i>FINAL DE CARRERA</i>	RELIEF REGULATORS <i>REGULADORES ESCAPE</i>	ACTUATION KIT * <i>KIT ACTUACIÓN *</i>
	Spring return	230 VAC*			
DN10 - D16	30724 PPWS	30746	45293	30745	30620
DN15 - D20	30724 PPWS	30746	45293	30745	30621
DN20 - D25	30724 PPWS	30746	45293	30745	30622
DN25 - D32	30725 PP00S	30746	45293	30745	30623
DN32 - D40	30725 PP00S	30746	45293	30745	30624
DN40 - D50	30726 PP10S	30746	45293	30745	30625
DN50 - D63	30726 PP10S	30746	45293	30745	30626
DN65 - D75	30727 PP20S	30746	45293	30745	30627
DN80 - D90	30727 PP20S	30746	45293	30745	30628

* Solenoid valve:

* *Electroválvula:*

12 VAC	30747
12 VDC	30748
24 VAC	30749
24 VDC	30670
110 VAC	30750
110 VDC	30751

* ACTUATION KIT

* *KIT DE ACTUACIÓN*

The kit includes all the necessary elements to connect the ball valve with the actuator and it is ready for all the brands of actuators following the ISO 5211 regulation.

Components: coupling bush, bolts, mounting clamp.

El kit incluye todos los elementos necesarios para conectar la válvula de bola con el actuador y es compatible con todas las marcas de actuadores que siguen la norma ISO 5211.

Componentes: pieza conexión, tornillería, soporte actuación.

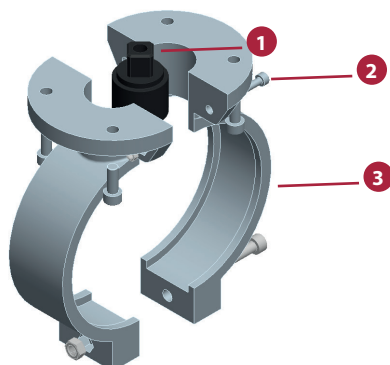


FIG.	Parts	Despiece	Material
1	Coupling bush	Conexión	Alluminium
2	Screws DIN-912	Tornillos DIN-912	SS AISI-304
3	Mounting clamp	Soporte actuación	PVC-U

See the actuator instructions manual for more information of each actuator.

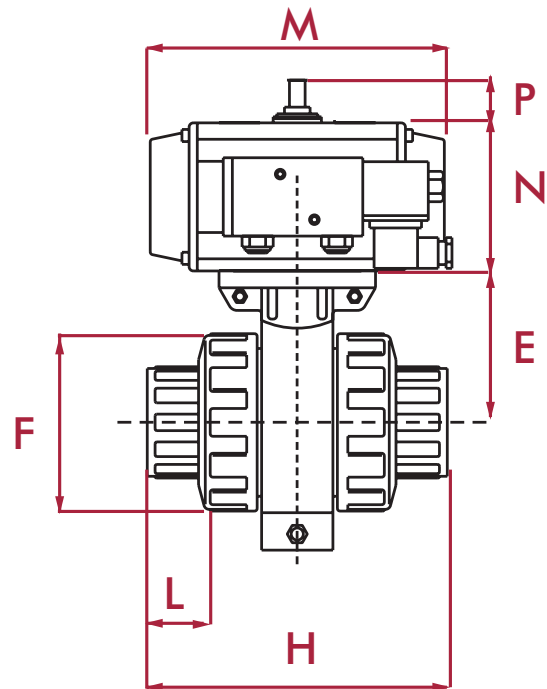
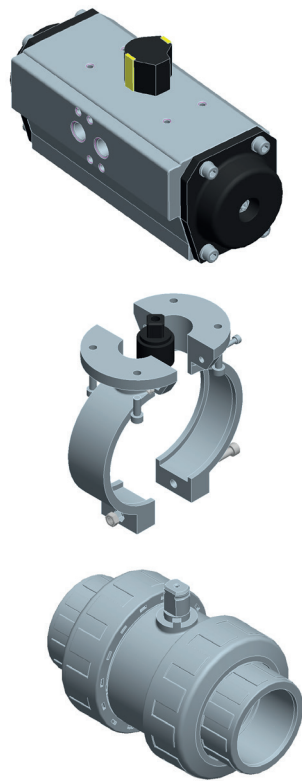
Consultar manual de instrucciones del actuador para más información de cada actuador.

PNEUMATIC ACTUATION (DOUBLE ACTING) - BALL VALVES INDUSTRIAL SERIES

ACTUACIÓN NEUMÁTICA (DOBLE EFECTO) - VÁLVULAS DE BOLA SERIE INDUSTRIAL



Technical Characteristics	Características técnicas
Industrial Series Ball valve with pneumatic actuator made of anodized aluminum	Válvula de bola Serie Industrial con actuador neumático de aluminio anodizado
Rack and pinion drive	Transmisión por piñón-cremallera
Compact design	Diseño compacto
Fast maneuvering	Rápida maniobra
Valve position visualization	Visualización de posición de la válvula
NAMUR connection that allows the assembly of the solenoid valve	Conexión NAMUR que permite el montaje de la electroválvula
Final position regulation in the actuator (+/- 5°)	Regulación de final de carrera del actuador (+/- 5°)
Options	Opciones
Limit switch box	Final de carrera
Solenoid valve	Electroválvula
Relief regulators	Reguladores de escape



L - pipe insertion size

SIZES (MM)
MEDIDAS (MM)

DN	D	L	H	E	F	M	N	P	Weight (Kg)
10	16	14	84	52	64	117	45	20	2,10
15	20	16	84	52	64	117	45	20	1,28
20	25	19	108	62	64	117	45	20	1,27
25	32	22	124	70	74	138	67	20	2,20
32	40	26	142	84	74	138	67	20	2,30
40	50	31	167	104	88	138	67	20	2,84
50	63	38	198	120	88	138	67	20	3,45
65	75	44	232	148	123	210	100	20	6,76
80	90	51	269	179	123	210	100	20	8,51
100	110	61	275	179	165	280,5	125	20	17,50

**ACTUATOR TORQUE
PAR ACTUADOR**


bar	Pressure of air feeding (bar / psi)							
	3	4	5	6	7	8	9	10
psi	43,7	58,3	72,8	87,4	102	116,5	131,1	145,7
CH032		5,0 Nm 44,3 in-lbf	6,3 Nm 55,8 in-lbf	7,6 Nm 67,3 in-lbf	8,8 Nm 77,9 in-lbf	10,0 Nm 88,5 in-lbf	11,4 Nm 100,9 in-lbf	12,6 Nm 111,5 in-lbf
CH050	9,2 Nm 81,4 in-lbf	12,3 Nm 108,9 in-lbf	15,4 Nm 136,3 in-lbf	18,5 Nm 163,7 in-lbf	21,5 Nm 190,3 in-lbf	24,6 Nm 217,7 in-lbf	27,7 Nm 245,1 in-lbf	30,8 Nm 272,6 in-lbf
CH075	35,1 Nm 310,6 in-lbf	46,8 Nm 414,2 in-lbf	58,5 Nm 517,7 in-lbf	70,2 Nm 621,3 in-lbf	81,9 Nm 724,8 in-lbf	93,6 Nm 828,4 in-lbf	105,3 Nm 931,9 in-lbf	117,0 Nm 1035,5 in-lbf
CH100	89,2 Nm 789,4 in-lbf	110,9 Nm 981,5 in-lbf	138,6 Nm 1226,6 in-lbf	166,4 Nm 1472,6 in-lbf	194,1 Nm 1717,8 in-lbf	221,8 Nm 1962,9 in-lbf	249,5 Nm 2208,1 in-lbf	277,3 Nm 2454,1 in-lbf

**OPERATING TIME
TIEMPO DE ABERTURA/CIERRE**

	Opening time	Closing time
CH032	0,5 s	0,5 s
CH050	0,6 s	0,6 s
CH075	0,6 s	0,7 s
CH100	0,8 s	0,9 s

**AIR CONSUMPTION
CONSUMO DE AIRE**

	Volume
CH032	0,07 l
CH050	0,23 l
CH075	0,61 l
CH100	1,80 l

**COMPLETE RANGE
GAMA COMPLETA**

SIZE Diam.	CH-AIR	Material	Seats / O-rings	Unions	Standards
		Material	Asientos / Juntas	Uniones	Standards
D16 (3/8") - DN10	CH032	PVC-U	PTFE / EPDM	Solvent socket	ISO/DIN, ASTM, BS, JIS
		PVC-C	PTFE / FPM	Threaded Flanges	BSP, NPT ISO/DIN
D20 (1/2") - DN15	CH032	PVC-U	PTFE / EPDM	Solvent socket	ISO/DIN, ASTM, BS, JIS
		PVC-C	PTFE / FPM	Threaded Flanges	BSP, NPT ISO/DIN
D25 (3/4") - DN20	CH032	PVC-U	PTFE / EPDM	Solvent socket	ISO/DIN, ASTM, BS, JIS
		PVC-C	PTFE / FPM	Threaded Flanges	BSP, NPT ISO/DIN
D32 (1") - DN25	CH050	PVC-U	PTFE / EPDM	Solvent socket	ISO/DIN, ASTM, BS, JIS
		PVC-C	PTFE / FPM	Threaded Flanges	BSP, NPT ISO/DIN
D40 (1 1/4") - DN32	CH050	PVC-U	PTFE / EPDM	Solvent socket	ISO/DIN, ASTM, BS, JIS
		PVC-C	PTFE / FPM	Threaded Flanges	BSP, NPT ISO/DIN
D50 (1 1/2") - DN40	CH050	PVC-U	PTFE / EPDM	Solvent socket	ISO/DIN, ASTM, BS, JIS
		PVC-C	PTFE / FPM	Threaded Flanges	BSP, NPT ISO/DIN
D63 (2") - DN50	CH050	PVC-U	PTFE / EPDM	Solvent socket	ISO/DIN, ASTM, BS, JIS
		PVC-C	PTFE / FPM	Threaded Flanges	BSP, NPT ISO/DIN
D75 (2 1/2") - DN65	CH075	PVC-U	PTFE / EPDM	Solvent socket	ISO/DIN, ASTM, BS, JIS
		PVC-C	PTFE / FPM	Threaded Flanges	BSP, NPT ISO/DIN
D90 (3") - DN80	CH075	PVC-U	PTFE / EPDM	Solvent socket	ISO/DIN, ASTM, BS, JIS
		PVC-C	PTFE / FPM	Threaded Flanges	BSP, NPT ISO/DIN
D110 (4") - DN100	CH100	PVC-U	PTFE / EPDM	Solvent socket	ISO/DIN, ASTM, BS, JIS
		PVC-C	PTFE / FPM	Threaded Flanges	BSP, NPT ISO/DIN



CODES FOR BALL VALVES INDUSTRIAL SERIES WITH CH-AIR ACTUATOR (DOUBLE ACTING) CÓDIGOS VÁLVULAS DE BOLA SERIE INDUSTRIAL CON ACTUADOR CH-AIR (DOBLE EFECTO)

	PNEUMATICALLY ACTUATED VALVE VÁLVULA CON ACTUADOR NEUMÁTICO	PNEUMATICALLY ACTUATED VALVE + Solenoid valve (220VAC) + Limit switch box + relief regula- tors *
	Double acting Doble efecto	Double acting Doble efecto
	PVC-U BALL VALVE INDUSTRIAL SERIES (PTFE-EPDM) VÁLVULA DE BOLA PVC-U SERIE INDUSTRIAL (PTFE-EPDM)	
DN10 - D16	26425	26421
DN15 - D20	05390	02648
DN20 - D25	05391	02649
DN25 - D32	05392	02650
DN32 - D40	05393	02651
DN40 - D50	05394	02652
DN50 - D63	05395	02653
DN65 - D75	05396	02654
DN80 - D90	05397	02655
DN100 - D110	26427	26423
	PVC-U BALL VALVE INDUSTRIAL SERIES (PTFE-FPM) VÁLVULA DE BOLA PVC-U SERIE INDUSTRIAL (PTFE-FPM)	
DN10 - D16	29913	29933
DN15 - D20	29914	29934
DN20 - D25	29915	29935
DN25 - D32	29916	29936
DN32 - D40	29917	29937
DN40 - D50	29918	29938
DN50 - D63	29919	29939
DN65 - D75	29920	29940
DN80 - D90	29921	29941
DN100 - D110	29922	29942

* KIT: Electric valve (220VAC), limit switch-box and relief regulators . Read technical characteristics in page 372

* KIT: *Electroválvula (220 VAC), final de carrera y reguladores de escape . Ver características técnicas en página 372*

** Standard configuration: Normally Closed NC, ask for Normally Open (NO) configuration.

** *Por defecto Normalmente Cerrado NC, consultar para configuración Normalmente Abierto*

These codes are only for the PVC-U valve with solvent socket unions, for more configuration, go to Actuated valves Code Generator (page 274)

Estos códigos son sólo para válvulas de PVC-U con uniones encoladas, para más configuraciones, ver el Generador de códigos de válvulas actuadas (Página 274)

SPARE PARTS CODES FOR CH-AIR ACTUATOR (DOUBLE ACTING) CÓDIGOS DE RECAMBIOS ACTUADOR CH-AIR (DOBLE EFECTO)



	PNEUMATIC ACTUATOR <i>ACTUADOR NEUMÁTICO</i>	SOLENOID VALVE <i>Page 373</i> <i>ELECTROVÁLVULA</i>	LIMIT SWITCH BOX <i>Page 375</i> <i>FINAL DE CARRERA</i>	RELIEF REGULATORS <i>REGULADORES ESCAPE</i>	ACTUATION KIT * <i>KIT ACTUACIÓN *</i>
	Double effect	230 VAC*			
DN10 - D16	30706 CH032	30737	30744	30745	30590
DN15 - D20	30706 CH032	30737	30744	30745	30591
DN20 - D25	30706 CH032	30737	30744	30745	30592
DN25 - D32	30707 CH050	30737	30743	30745	30593
DN32 - D40	30707 CH050	30737	30743	30745	30594
DN40 - D50	30707 CH050	30737	30743	30745	30595
DN50 - D63	30707 CH050	30737	30743	30745	30596
DN65 - D75	30708 CH075	30737	30743	30745	30597
DN80 - D90	30708 CH075	30737	30743	30745	30598
DN100 - D110	30709 CH100	30737	30743	30745	30599

* Solenoid valve:

* *Electroválvula:*

12 VAC	30738
12 VDC	30739
24 VAC	30740
24 VDC	30722
110 VAC	30741
110 VDC	30742

* ACTUATION KIT

* *KIT DE ACTUACIÓN*

The kit includes all the necessary elements to connect the ball valve with the actuator and it is ready for all the brands of actuators following the ISO 5211 regulation.

Components: coupling bush, bolts, mounting clamp.

El kit incluye todos los elementos necesarios para conectar la válvula de bola con el actuador y es compatible con todas las marcas de actuadores que siguen la norma ISO 5211.

Componentes: pieza conexión, tornillería, soporte actuación.

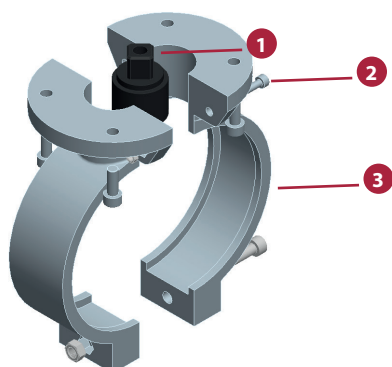


FIG.	Parts	Despiece	Material
1	Coupling bush	Conexión	Alluminium
2	Screws DIN-912	Tornillos DIN-912	SS AISI-304
3	Mounting clamp	Soporte actuación	PVC-U

See the actuator instructions manual for more information of each actuator.

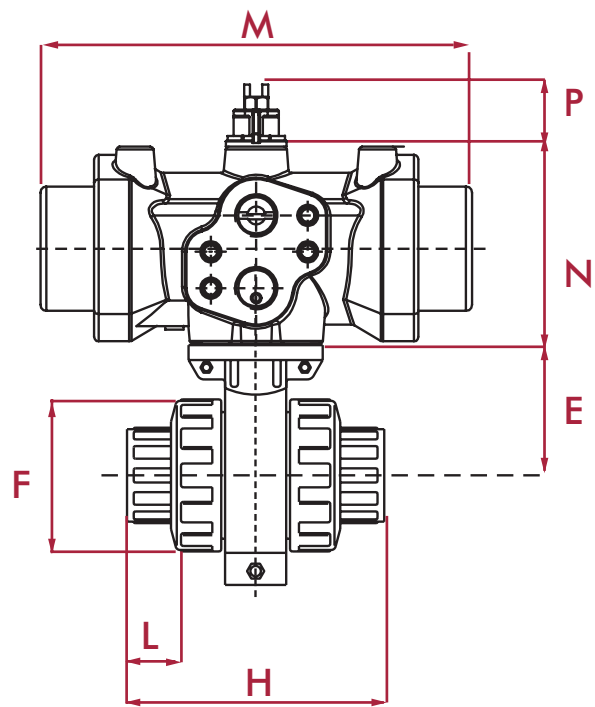
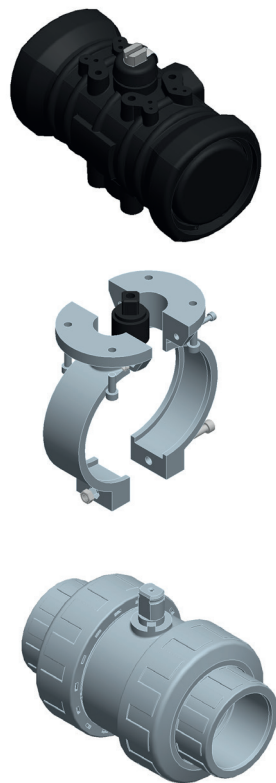
Consultar manual de instrucciones del actuador para más información de cada actuador.

PNEUMATIC ACTUATION (DOUBLE ACTING) - BALL VALVES INDUSTRIAL SERIES

ACTUACIÓN NEUMÁTICA (DOBLE EFECTO) - VÁLVULAS DE BOLA SERIE INDUSTRIAL

Technical Characteristics	Características técnicas
Industrial Series Ball valve with pneumatic actuator made of polyamide + glass fiber	Válvula de bola Serie Industrial con actuador neumático de poliamida + fibra de vidrio
Rack and pinion drive	Transmisión por piñón-cremallera
High resistance to corrosion	Alta resistencia a la corrosión
Fast maneuvering	Rápida maniobra
Valve position visualization	Visualización de posición de la válvula
NAMUR connection that allows the assembly of the solenoid valve	Conexión NAMUR que permite el montaje de la electroválvula

Options	Opciones
Limit switch box	Final de carrera
Solenoid valve	Electroválvula
Relief regulators	Reguladores de escape



L - pipe insertion size

SIZES (MM)
MEDIDAS (MM)

DN	D	L	H	E	F	M	N	P	Weight (Kg)
10	16	14	84	52	64	144	69	20	1,30
15	20	16	84	52	64	144	69	20	1,20
20	25	19	108	62	64	144	69	20	1,08
25	32	22	124	70	74	157	82	20	1,70
32	40	26	142	84	74	157	82	20	1,86
40	50	31	167	104	88	157	82	20	2,37
50	63	38	198	120	88	157	82	20	3,00
65	75	44	232	148	123	230	103	20	5,50
80	90	51	269	179	123	230	103	20	7,00
100	110	61	275	179	165	313	127	20	14,8



**ACTUATOR TORQUE
PAR ACTUADOR**

bar	Pressure of air feeding (bar / psi)					
	3	4	5	6	7	8
psi	43,7	58,3	72,8	87,4	102	116,5
PPW	7,9 Nm 69,9 in-lbf	11,3 Nm 100 in-lbf	14,1 Nm 124,8 in-lbf	17 Nm 150,5 in-lbf	19,8 Nm 175,2 in-lbf	22,9 Nm 202,7 in-lbf
PP00	13,3 Nm 117,7 in-lbf	18,3 Nm 162 in-lbf	23,4 Nm 207,1 in-lbf	28,5 Nm 252,2 in-lbf	33,6 Nm 297,4 in-lbf	38,7 Nm 342,5 in-lbf
PP10	32,9 Nm 291 in-lbf	45,6 Nm 404 in-lbf	58,3 Nm 516 in-lbf	71 Nm 628 in-lbf	83,7 Nm 741 in-lbf	96,4 Nm 853 in-lbf
PP20	77,7 Nm 687,8 in-lbf	107 Nm 947,3 in-lbf	136,3 Nm 1.206 in-lbf	165,4 Nm 1.465 in-lbf	194,8 Nm 1.724 in-lbf	224 Nm 1.983 in-lbf

**OPERATING TIME
TIEMPO DE ABERTURA/CIERRE**

	Opening time	Closing time
PPW	0,1 s	0,1 s
PP00	0,15 s	0,15 s
PP10	0,25 s	0,25 s
PP20	0,4 s	0,4 s

**AIR CONSUMPTION
CONSUMO DE AIRE**

	Volume
PPW	0,075 l
PP00	0,18 l
PP10	0,45 l
PP20	1,15 l

**COMPLETE RANGE
GAMA COMPLETA**

SIZE Diam.	PRISMA	Material Material	Seats / O-rings Asientos / Juntas	Unions Uniones	Standards Standards
D16 (3/8") - DN10	PPW	PVC-U	PTFE / EPDM PTFE / FPM	Solvent socket Threaded Flanges	ISO/DIN, ASTM, BS, JIS BSP, NPT ISO/DIN
		PVC-C			
D20 (1/2") - DN15	PPW	PVC-U	PTFE / EPDM PTFE / FPM	Solvent socket Threaded Flanges	ISO/DIN, ASTM, BS, JIS BSP, NPT ISO/DIN
		PVC-C			
D25 (3/4") - DN20	PPW	PVC-U	PTFE / EPDM PTFE / FPM	Solvent socket Threaded Flanges	ISO/DIN, ASTM, BS, JIS BSP, NPT ISO/DIN
		PVC-C			
D32 (1") - DN25	PP00	PVC-U	PTFE / EPDM PTFE / FPM	Solvent socket Threaded Flanges	ISO/DIN, ASTM, BS, JIS BSP, NPT ISO/DIN
		PVC-C			
D40 (1 1/4") - DN32	PP00	PVC-U	PTFE / EPDM PTFE / FPM	Solvent socket Threaded Flanges	ISO/DIN, ASTM, BS, JIS BSP, NPT ISO/DIN
		PVC-C			
D50 (1 1/2") - DN40	PP00	PVC-U	PTFE / EPDM PTFE / FPM	Solvent socket Threaded Flanges	ISO/DIN, ASTM, BS, JIS BSP, NPT ISO/DIN
		PVC-C			
D63 (2") - DN50	PP00	PVC-U	PTFE / EPDM PTFE / FPM	Solvent socket Threaded Flanges	ISO/DIN, ASTM, BS, JIS BSP, NPT ISO/DIN
		PVC-C			
D75 (2 1/2") - DN65	PP10	PVC-U	PTFE / EPDM PTFE / FPM	Solvent socket Threaded Flanges	ISO/DIN, ASTM, BS, JIS BSP, NPT ISO/DIN
		PVC-C			
D90 (3") - DN80	PP10	PVC-U	PTFE / EPDM PTFE / FPM	Solvent socket Threaded Flanges	ISO/DIN, ASTM, BS, JIS BSP, NPT ISO/DIN
		PVC-C			
D110 (4") - DN100	PP20	PVC-U	PTFE / EPDM PTFE / FPM	Solvent socket Threaded Flanges	ISO/DIN, ASTM, BS, JIS BSP, NPT ISO/DIN
		PVC-C			



CODES FOR BALL VALVES INDUSTRIAL SERIES WITH PRISMA ACTUATOR (DOUBLE ACTING)

CÓDIGOS VÁLVULAS DE BOLA SERIE INDUSTRIAL CON ACTUADOR PRISMA (DOBLE EFECTO)

	PNEUMATICALLY ACTUATED VALVE VÁLVULA CON ACTUADOR NEUMÁTICO	PNEUMATICALLY ACTUATED VALVE + Solenoid valve (220VAC) + Limit switch box + relief regulators * VÁLVULA CON ACTUADOR NEUMÁTICO + Electroválvula (220VAC) + Final de carrera + reguladores de escape *
	Double acting Doble efecto	Double acting Doble efecto
	PVC-U BALL VALVE INDUSTRIAL SERIES (PTFE-EPDM) VÁLVULA DE BOLA PVC-U SERIE INDUSTRIAL (PTFE-EPDM)	
DN10 - D16	29875	29894
DN15 - D20	29876	29895
DN20 - D25	29877	29896
DN25 - D32	29878	29897
DN32 - D40	29879	29898
DN40 - D50	29880	29899
DN50 - D63	29881	29900
DN65 - D75	29882	29901
DN80 - D90	29883	29902
DN100 - D110	29884	29903
	PVC-U BALL VALVE INDUSTRIAL SERIES (PTFE-FPM) VÁLVULA DE BOLA PVC-U SERIE INDUSTRIAL (PTFE-FPM)	
DN10 - D16	29953	29972
DN15 - D20	29954	29973
DN20 - D25	29955	29974
DN25 - D32	29956	29975
DN32 - D40	29957	29976
DN40 - D50	29958	29977
DN50 - D63	29959	29978
DN65 - D75	29960	29979
DN80 - D90	29961	29980
DN100 - D110	29962	29981

* KIT: Electric valve (220VAC), limit switch-box and relief regulators . Read technical characteristics in page 372

* KIT: Electroválvula (220 VAC), final de carrera y reguladores de escape . Ver características técnicas en página 372

** Standard configuration: Normally Closed NC, ask for Normally Open (NO) configuration.

** Por defecto Normalmente Cerrado NC, consultar para configuración Normalmente Abierto

These codes are only for the PVC-U valve with solvent socket unions, for more configuration, go to Actuated valves Code Generator (page 274)

Estos códigos son sólo para válvulas de PVC-U con uniones encoladas, para más configuraciones, ver el Generador de códigos de válvulas actuadas (Página 274)

SPARE PARTS CODES FOR PRISMA ACTUATOR (DOUBLE ACTING)



CÓDIGOS DE RECAMBIOS ACTUADOR PRISMA (DOBLE EFECTO)

	PNEUMATIC ACTUATOR <i>ACTUADOR NEUMÁTICO</i>	SOLENOID VALVE <i>Page 374</i> <i>ELECTROVÁLVULA</i>	LIMIT SWITCH BOX <i>Page 376</i> <i>FINAL DE CARRERA</i>	RELIEF REGULATORS <i>REGULADORES ESCAPE</i>	ACTUATION KIT * <i>KIT ACTUACIÓN *</i>
	Double effect	230 VAC*			
DN10 - D16	30719 PPW	30746	45293	30745	30610
DN15 - D20	30719 PPW	30746	45293	30745	30611
DN20 - D25	30719 PPW	30746	45293	30745	30612
DN25 - D32	32364 PP00	30746	45293	30745	30613
DN32 - D40	32364 PP00	30746	45293	30745	30614
DN40 - D50	32364 PP00	30746	45293	30745	30615
DN50 - D63	32364 PP00	30746	45293	30745	30616
DN65 - D75	30720 PP10	30746	45293	30745	30617
DN80 - D90	30720 PP10	30746	45293	30745	30618
DN100 - D110	30721 PP20	30746	45293	30745	30619

* Solenoid valve:

* *Electroválvula:*

12 VAC	30747
12 VDC	30748
24 VAC	30749
24 VDC	30670
110 VAC	30750
110 VDC	30751

* ACTUATION KIT

* *KIT DE ACTUACIÓN*

The kit includes all the necessary elements to connect the ball valve with the actuator and it is ready for all the brands of actuators following the ISO 5211 regulation.

Components: coupling bush, bolts, mounting clamp.

El kit incluye todos los elementos necesarios para conectar la válvula de bola con el actuador y es compatible con todas las marcas de actuadores que siguen la norma ISO 5211.

Componentes: pieza conexión, tornillería, soporte actuación.

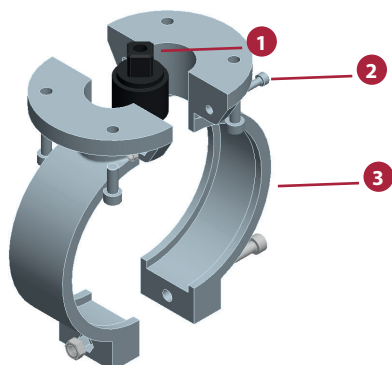


FIG.	Parts	Despiece	Material
1	Coupling bush	Conexión	Alluminium
2	Screws DIN-912	Tornillos DIN-912	SS AISI-304
3	Mounting clamp	Soporte actuación	PVC-U

See the actuator instructions manual for more information of each actuator.

Consultar manual de instrucciones del actuador para más información de cada actuador.

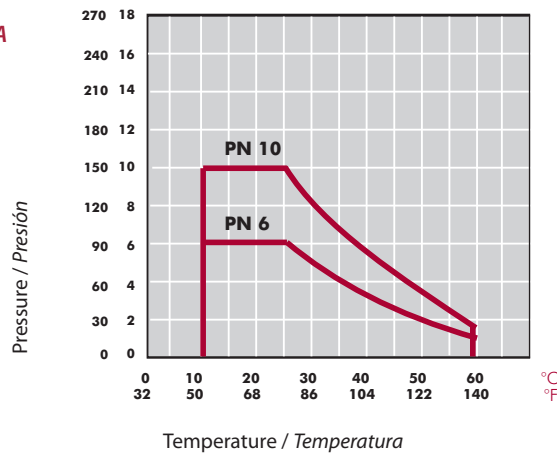
BUTTERFLY VALVE [STD] SERIES
VÁLVULA DE MARIPOSA SERIE [STD]



BUTTERFLY VALVE CHARACTERISTICS [STD] SERIES

CARACTERÍSTICAS DE LA VÁLVULA DE MARIPOSA SERIE [STD]

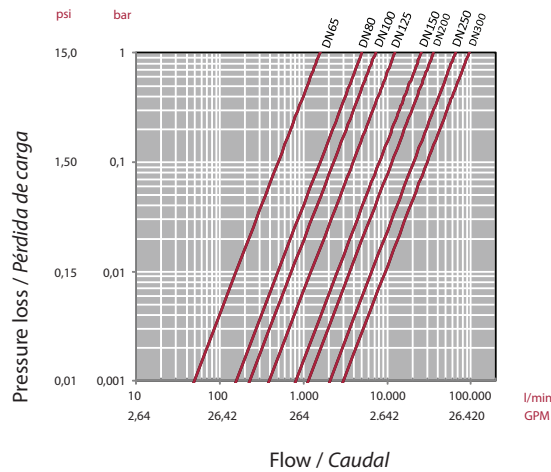
PRESSURE / TEMPERATURE GRAPH
DIAGRAMA PRESIÓN / TEMPERATURA



Life: 25 years
Hydrostatic maximum pressure a component may withstand in continuous service (without overpressure)

Vida útil: 25 años
Presión hidrostática máxima que un componente es capaz de soportar en servicio continuo (sin sobrepresión)

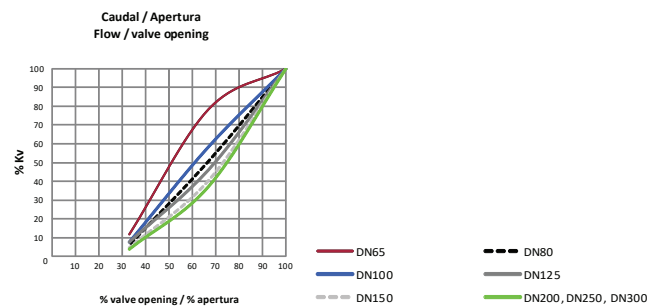
PRESSURE LOSS DIAGRAM
DIAGRAMA DE PÉRDIDAS DE CARGA



RELATIVE FLOW
FLUJO RELATIVO

D	DN	Kv100	Cv
63-75 (2½")	50 - 65	1.568	110
90 (3")	80	4.980	349
110 (4")	100	7.212	505
125-140 (5")	125	12.320	863
160 (6")	150	25.447	1.134
200-225 (8")	200	35.778	2.505
250-280 (10")	250	65.222	4.567
315 (12")	300	94.660	6.629

$Cv = Kv_{100} / 14,28$
 Kv_{100} (l/min, $\Delta p = 1$ bar)
 Cv (GPM, $\Delta p = 1$ psi)



OPERATIONAL TORQUE CHART
TABLA DE PAR DE MANIOBRA

D	63-75 (2½")	90 (3")	110 (4")	125-140 (5")	160 (6")	200-225 (8")	250-280 (10")	315 (12")
DN	65	80	100	125	150	200	250	300
Nm	22	22	32	85	110	100	180	250
in-lbf	195	195	283	752	974	885	1.593	2.213

Operating torque values at rated pressure (PN) and 20 °C in as new direct from the factory condition. Installation and operating conditions (pressure and temperature) will affect these values. The actuator that is required for an automatic operation must be calculated according to some safety factors that were determined in life tests carried out in the factory.

Los valores de par de giro se determinan a presión nominal (PN) y a 20 °C, en condiciones de salida de fábrica. Las condiciones de instalación y operación (presión y temperatura) afectarán a estos valores. El actuador requerido para automatizar el giro debe ser calculado teniendo en cuenta ciertos coeficientes de seguridad que han sido determinados en pruebas de fatiga realizadas en fábrica.

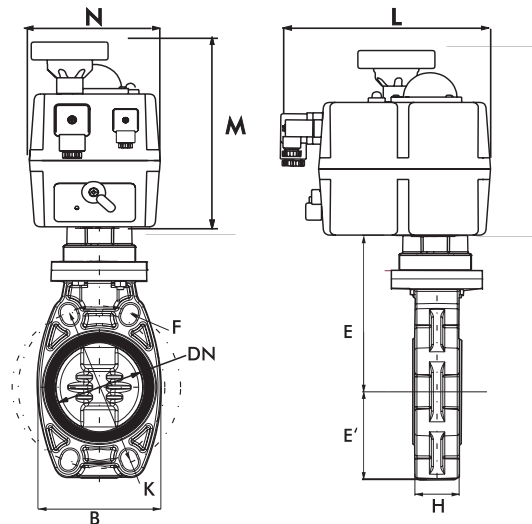
ELECTRIC ACTUATION - BUTTERFLY VALVES [STD] SERIES

ACTUACIÓN ELÉCTRICA - VÁLVULAS DE MARIPOSA SERIE [STD]



Technical Characteristics	Características técnicas
[STD] Series Ball Valve with reversible electric actuator multi-voltage	Válvula de bola Serie [STD] con actuador eléctrico reversible multivoltaje
Electronic torque control, with limitation of maximum torque	Control electrónico del par, con limitación de par máximo
Anti-condensation heating resistor	Resistencia calefactora anti-condensación
Automatic / manual lever, with manual override	Selector automático/manual, con mando manual de emergencia
Open and closed volt free contacts	Contactos auxiliares de final de posición
Indicator LED operating / error	Indicador LED de funcionamiento/errores
Enclosure in antricorrosive polyamide	Cuerpo y tapa en poliamida anti-corrosivo
Actuator guranteed for 60.000 cycles with a duty rating of 75%	Actuador garantizado para 60.000 ciclos con un tiempo bajo tensión del 75%

Options	Opciones
BSR - Safety block	BSR - Bloque seguridad
DPS - Digital positioner	DPS - Posicionador digital
Modbus and Bluetooth communication protocol	Protocolo de comunicación Modbus y Bluetooth



SIZES (MM)

MEDIDAS (MM)

DN	D	B	E	E'	F	H	K	M	N	L	HOLES	WEIGHT
65	63 - 75	135	81	150	18	48	125-145	169	110	181	4	3,1
80	90	122	95	166	19	52	150-170	169	110	181	4	3,8
100	110	145	106	178	19	59	180-192	196	110	181	4	4,6
125	125 - 140	175	119	1945	22	66	190-215	196	110	181	4	5,9
150	160	209	133	210	24	72	240	254	214	235	4	9,3
200	200 - 225	248	161	260	23	73	270-298	254	214	235	4	11,5
250	250 - 280	400	199	283	29	114	355-362	254	214	235	12	16,4
300	315	476	238	330	29	114	290-432	254	214	235	12	26,3

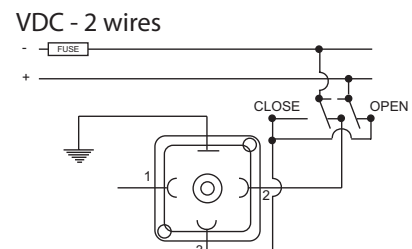
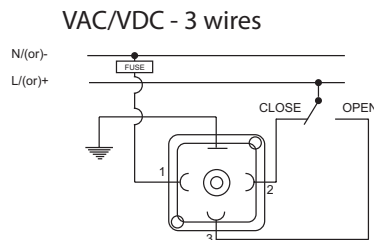
ACTUATOR CHARACTERISTICS
CARACTERÍSTICAS ACTUADOR



Model	Voltage	90° time	Maximum operational torque	Maximum break torque	Operational Torque Consumption	Duty rating	IP rating	Temperature	Limit switch	Heating resistor	Plugs	
											Power	Volt free
J4C S035	24-240 VAC/VDC 50/60 Hz	10 s	35 Nm 309 in-lb	38 Nm 359,3 in-lb	24VDC - 0,45A - 10,77W 48VDC - 0,21A - 9,93W 110VDC - 0,07A - 7,70W 24 VAC - 0,59A - 14,20W 48 VAC - 0,34A - 16,37W 110 VAC - 0,14A - 15,73W 240 VAC - 0,10A - 23,76W	75%	IP 67	-20° / 70° C -4° / 158° F	4 SPTD micro	3,5 W	EN175301-803 FORM A	DIN 43650/C
J4C S055	24-240 VAC/VDC 50/60 Hz	13 s	55 Nm 486 in-lbf	60 Nm 530 in-lbf	24VDC - 0,42A - 10,19W 48VDC - 0,20A - 9,72W 110VDC - 0,07A - 7,50W 24 VAC - 0,58A - 13,89W 48 VAC - 0,33A - 15,73W 110 VAC - 0,14A - 15,73W 240 VAC - 0,09A - 22,70W	75%	IP 67	-20° / 70° C -4° / 158° F	4 SPTD micro	3,5 W	EN175301-803 FORM A	DIN 43650/C
J4C S085	24-240 VAC/VDC 50/60 Hz	29 s	85 Nm 752 in-lbf	90 Nm 796 in-lbf	24VDC - 0,36A - 8,55W 48VDC - 0,17A - 8,24W 110VDC - 0,05A - 5,80W 24 VAC - 0,50A - 11,88W 48 VAC - 0,25A - 11,83W 110 VAC - 0,12A - 12,83W 240 VAC - 0,08A - 20,06W	75%	IP 67	-20° / 70° C -4° / 158° F	4 SPTD micro	3,5 W	EN175301-803 FORM A	DIN 43650/C
J4C S140	24-240 VAC/VDC 50/60 Hz	34 s	140 Nm 1239 in-lbf	170 Nm 1504 in-lbf	24VDC - 0,66A - 15,84W 48VDC - 0,30A - 14,25W 110VDC - 0,10A - 10,89W 24 VAC - 0,83A - 19,80W 48 VAC - 0,48A - 23,23W 110 VAC - 0,23A - 25,41W 240 VAC - 0,18A - 42,77W	75%	IP 67	-20° / 70° C -4° / 158° F	4 SPTD micro	3,5 W	EN175301-803 FORM A	DIN 43650/C
J4C S300	24-240 VAC/VDC	48 s	300 Nm 2665 in-lbf	350 Nm 3097 in-lbf	24VDC - 0,50A - 11,88W 48VDC - 0,22A - 10,56W 110VDC - 0,09A - 9,68W 24 VAC - 0,66A - 15,84W 48 VAC - 0,36A - 17,42W 110 VAC - 0,19A - 20,57W 240 VAC - 0,15A - 36,96W	75%	IP 67	-20° / 70° C -4° / 158° F	4 SPTD micro	3,5 W	EN175301-803 FORM A	DIN 43650/C

CONNECTION ELECTRICAL DIAGRAM (WITHOUT DPS)
ESQUEMA ELÉCTRICO DE CONEXIÓN (SIN DPS)

GREY PLUG
EN175301-803 FORM A



COMPLETE RANGE
GAMA COMPLETA

SIZE Diam.	J-J	Material (body+disc) Material (cuerpo+disco)	Gasket Junta	Shaft Eje
D63-75 - 2½" - DN65	J4 S035	PVC-U	EPDM	Zinc plated steel
D90 - 3" - DN80	J4 S035	PVC-U	EPDM	Zinc plated steel
D110 - 4" - DN100	J4 S055	PVC-U	EPDM	Zinc plated steel
D125-140 - 5" - DN125	J4 S085	PVC-U	EPDM	Zinc plated steel
D160 - 6" - DN150	J4 S140	PVC-U	EPDM	Zinc plated steel
D200-225 - 8" - DN200	J4 S140	PVC-U	EPDM	Zinc plated steel
D250 -10" - DN250	J4 S300	PVC-U	EPDM	Zinc plated steel
D315 - 12" - DN300	J4 S300	PVC-U	EPDM	Zinc plated steel

CODES FOR BUTTERFLY VALVES [STD] SERIES WITH J+J ACTUATOR



CÓDIGOS VÁLVULAS DE MARIPOSA SERIE [STD] CON ACTUADOR J+J

	ELLECTRICALLY ACTUATED VALVE VÁLVULA CON ACTUADOR ELÉCTRICO
	24-240 VAC/VDC
DN65 - D60/D75	72267
DN80 - D90	72268
DN100 - D110	72269
DN125 - D125/D140	72270
DN150 - D160	72273
DN200 - D200/225	72274
DN250 - D250/280	72275
DN300 - D315	72276

SPARE PARTS CODES FOR J+J ACTUATOR

CÓDIGOS DE RECAMBIOS ACTUADOR J+J

	ELECTRIC ACTUATOR ACTUADOR ELÉCTRICO	ACTUATION KIT * KIT ACTUACIÓN *
DN65 - D60/D75	65342 J4C S035	74239
DN80 - D90	65342 J4C S035	74240
DN100 - D110	30677 J4C S055	35901
DN125 - D125/D140	46654 J4C S085	74442
DN150 - D160	30678 J4C S140	69632
DN200 - D200/225	30678 J4C S140	35908
DN250 - D250/280	30679 J4C S300	35912
DN300 - D315	30679 J4C S300	35912

* ACTUATION KIT
* KIT DE ACTUACIÓN

The kit includes all the necessary elements to connect the ball valve with the actuator and it is ready for all the brands of actuators following the ISO 5211 regulation.
Components: coupling bush, bolts, mounting clamp.

El kit incluye todos los elementos necesarios para conectar la válvula de bola con el actuador y es compatible con todas las marcas de actuadores que siguen la norma ISO 5211.
Componentes: pieza de conexión, tornillería, soporte actuación.

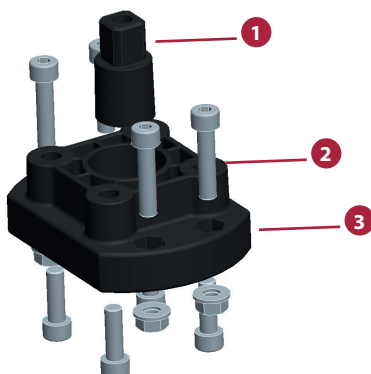


FIG.	Parts	Despiece	Material
1	Coupling bush	Conexión	Aluminium (D63-D160) SS AISI-304 (D200-D315)
2	Screws DIN-912	Tornillos DIN-912	SS AISI-304
3	Mounting clamp	Soporte actuación	PP-GR

BUTTERFLY VALVE INDUSTRIAL SERIES

VÁLVULA DE MARIPOSA SERIE INDUSTRIAL

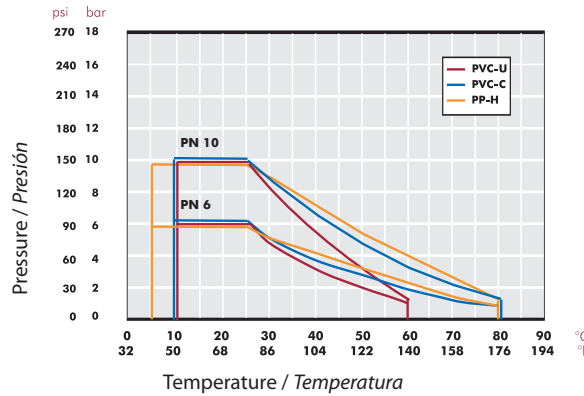


BUTTERFLY VALVE CHARACTERISTICS INDUSTRIAL SERIES

CARACTERÍSTICAS DE LA VÁLVULA DE MARIPOSA SERIE INDUSTRIAL

PRESSURE / TEMPERATURE GRAPH

DIAGRAMA PRESIÓN / TEMPERATURA

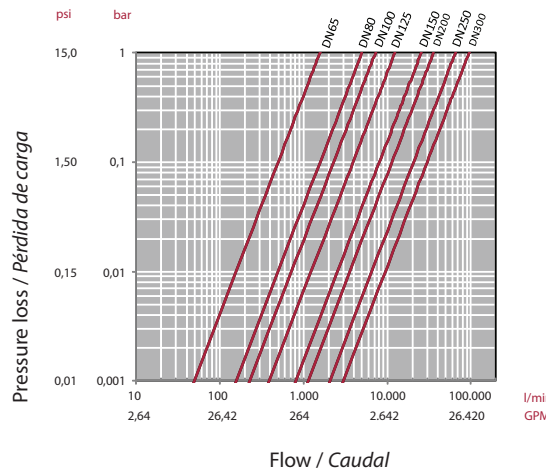


Life: 25 years
Hydrostatic maximum pressure a component may withstand in continuous service (without overpressure)

Vida útil: 25 años
Presión hidrostática máxima que un componente es capaz de soportar en servicio continuo (sin sobrepresión)

PRESSURE LOSS DIAGRAM

DIAGRAMA DE PÉRDIDAS DE CARGA



RELATIVE FLOW

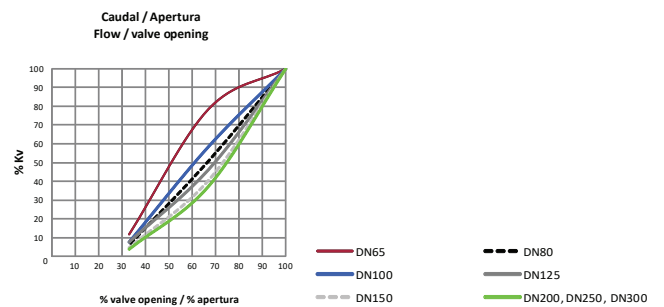
FLUJO RELATIVO

$$Cv = K_{v100} / 14,28$$

$$K_{v100} (l/min, \Delta p = 1 \text{ bar})$$

$$Cv (GPM, \Delta p = 1 \text{ psi})$$

D	DN	Kv100	Cv
63-75 (2½")	50 - 65	1.568	110
90 (3")	80	4.980	349
110 (4")	100	7.212	505
125-140 (5")	125	12.320	863
160 (6")	150	25.447	1.134
200-225 (8")	200	35.778	2.505
250-280 (10")	250	65.222	4.567
315 (12")	300	94.660	6.629



OPERATIONAL TORQUE CHART

TABLA DE PAR DE MANIOBRA

D	63-75 (2½")	90 (3")	110 (4")	125-140 (5")	160 (6")	200-225 (8")	250-280 (10")	315 (12")
DN	65	80	100	125	150	200	250	300
Nm	25	28	35	85	110	110	180	250
in-lbf	221	248	310	752	974	974	1593	2213

Operating torque values at rated pressure (PN) and 20 °C in as new direct from the factory condition. Installation and operating conditions (pressure and temperature) will affect these values. The actuator that is required for an automatic operation must be calculated according to some safety factors that were determined in life tests carried out in the factory.

Los valores de par de giro se determinan a presión nominal (PN) y a 20 °C, en condiciones de salida de fábrica. Las condiciones de instalación y operación (presión y temperatura) afectarán a estos valores. El actuador requerido para automatizar el giro debe ser calculado teniendo en cuenta ciertos coeficientes de seguridad que han sido determinados en pruebas de fatiga realizadas en fábrica.

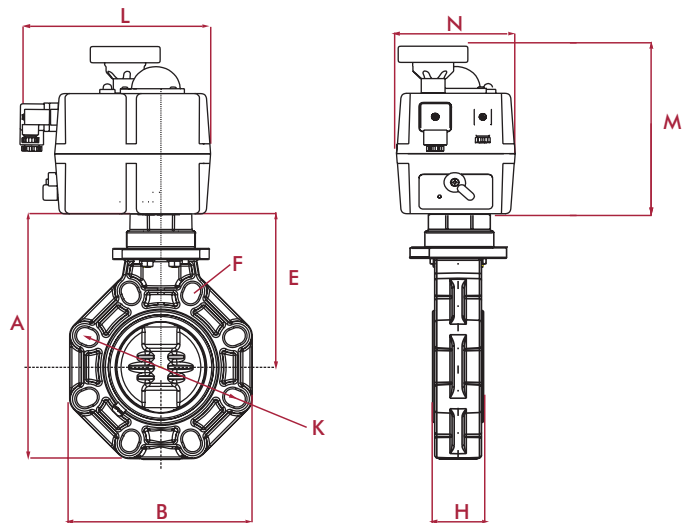
ELECTRIC ACTUATION - BUTTERFLY VALVES INDUSTRIAL SERIES

ACTUACIÓN ELÉCTRICA - VÁLVULAS DE MARIPOSA SERIE INDUSTRIAL



Technical Characteristics	Características técnicas
[IND] Series Ball Valve with reversible electric actuator multi-voltage	Válvula de bola Serie [IND] con actuador eléctrico reversible multivoltaje
Electronic torque control, with limitation of maximum torque	Control electrónico del par, con limitación de par máximo
Anti-condensation heating resistor	Resistencia calefactora anti-condensación
Automatic / manual lever, with manual override	Selector automático/manual, con mando manual de emergencia
Open and closed volt free contacts	Contactos auxiliares de final de posición
Indicator LED operating / error	Indicador LED de funcionamiento/errores
Enclosure in antricorrosive polyamide	Cuerpo y tapa en poliamida anti-corrosivo
Actuator guaranteed for 60.000 cycles with a duty rating of 75%	Actuador garantizado para 60.000 ciclos con un tiempo bajo tensión del 75%

Options	Opciones
BSR - Safety block	BSR - Bloque seguridad
DPS - Digital positioner	DPS - Posicionador digital
Modbus and Bluetooth communication protocol	Protocolo de comunicación Modbus y Bluetooth



SIZES (MM)
MEDIDAS (MM)

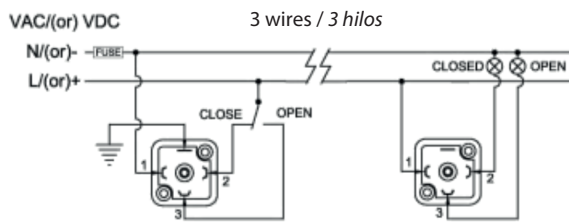
DN	D	A	B	F	H	K	E	L	M	N	Weight (Kg)
65	63 - 75	201	156	18	48	125/145	150	181	196	110	3,82
80	90	232	190	19	52	150/170	166	181	196	110	4,69
100	110	255	212	19	59	180/192	178	181	196	110	5,84
125	125 - 140	284	238	22	66	190/215	194	235	254	214	9,62
150	160	314	265	24	72	240	210	235	254	214	10,53
200	200 - 225	378	320	23	73	270/298	260	235	254	214	14,20
250	250 - 280	461	453	29	114	335/362	306	235	254	214	23,40
300	315	556	477	29	114	390/432	358	235	254	214	43,70

ACTUATOR CHARACTERISTICS
CARACTERÍSTICAS ACTUADOR

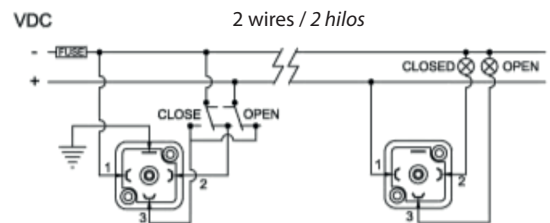


Model	Voltage	90° time	Maximum operational torque	Maximum break torque	Operational Torque Consumption	Duty rating	IP rating	Temperature	Limit switch	Heating resistor	Plugs	
											Power	Volt free
J4C S055	24-240 VAC/VDC 50/60 Hz	13 s	55 Nm 486 in-lbf	60 Nm 530 in-lbf	24VDC - 0,42A - 10,19W 48VDC - 0,20A - 9,72W 110VDC - 0,07A - 7,50W 24 VAC - 0,58A - 13,89W 48 VAC - 0,33A - 15,73W 110 VAC - 0,14A - 15,73W 240 VAC - 0,09A - 22,70W	75%	IP 67	-20° / 70° C -4° / 158° F	4 SPTD micro	3,5 W	EN175301-803 FORM A	DIN 43650/C
J4C S085	24-240 VAC/VDC 50/60 Hz	29 s	85 Nm 752 in-lbf	90 Nm 796 in-lbf	24VDC - 0,36A - 8,55W 48VDC - 0,17A - 8,24W 110VDC - 0,05A - 5,80W 24 VAC - 0,50A - 11,88W 48 VAC - 0,25A - 11,83W 110 VAC - 0,12A - 12,83W 240 VAC - 0,08A - 20,06W	75%	IP 67	-20° / 70° C -4° / 158° F	4 SPTD micro	3,5 W	EN175301-803 FORM A	DIN 43650/C
J4C S140	24-240 VAC/VDC 50/60 Hz	34 s	140 Nm 1239 in-lbf	170 Nm 1504 in-lbf	24VDC - 0,66A - 15,84W 48VDC - 0,30A - 14,25W 110VDC - 0,10A - 10,89W 24 VAC - 0,83A - 19,80W 48 VAC - 0,48A - 23,23W 110 VAC - 0,23A - 25,41W 240 VAC - 0,18A - 42,77W	75%	IP 67	-20° / 70° C -4° / 158° F	4 SPTD micro	3,5 W	EN175301-803 FORM A	DIN 43650/C
J4C S300	24-240 VAC/VDC	48 s	300 Nm 2665 in-lbf	350 Nm 3097 in-lbf	24VDC - 0,50A - 11,88W 48VDC - 0,22A - 10,56W 110VDC - 0,09A - 9,68W 24 VAC - 0,66A - 15,84W 48 VAC - 0,36A - 17,42W 110 VAC - 0,19A - 20,57W 240 VAC - 0,15A - 36,96W	75%	IP 67	-20° / 70° C -4° / 158° F	4 SPTD micro	3,5 W	EN175301-803 FORM A	DIN 43650/C

CONNECTION ELECTRICAL DIAGRAM (WITHOUT DPS)
ESQUEMA ELÉCTRICO DE CONEXIÓN (SIN DPS)



Power supply (Grey plug) / Alimentación eléctrica (Conector gris)
Volt free contact (Black plug) / Contactos auxiliares (Conector negro)



Power supply (Grey plug) / Alimentación eléctrica (Conector gris)
Volt free contact (Black plug) / Contactos auxiliares (Conector negro)

COMPLETE RANGE
GAMA COMPLETA

SIZE Diam.	J-J	Material	Gasket	Standards
		Material	Junta	Standards
D75 - 2½" - DN65	J4C S055	PVC-U	EPDM perox. FPM	ISO/DIN ANSI/ASTM British Standard JIS
		PVC-C		
D90 - 3" - DN80	J4C S055	PVC-U	EPDM perox. FPM	ISO/DIN ANSI/ASTM British Standard JIS
		PVC-C		
D110 - 4" - DN100	J4C S085	PVC-U	EPDM perox. FPM	ISO/DIN ANSI/ASTM British Standard JIS
		PVC-C		
D140 - 5" - DN125	J4C S140	PVC-U	EPDM perox. FPM	ISO/DIN ANSI/ASTM British Standard JIS
		PVC-C		
D160 - 6" - DN150	J4C S140	PVC-U	EPDM perox. FPM	ISO/DIN ANSI/ASTM British Standard JIS
		PVC-C		
D225 - 8" - DN200	J4C S300	PVC-U	EPDM perox. FPM	ISO/DIN ANSI/ASTM British Standard JIS
		PVC-C		
D250 - 10" - DN250	J4C S300	PVC-U	EPDM perox. FPM	ISO/DIN ANSI/ASTM British Standard JIS
		PVC-C		
D315 - 12" - DN300	J4C S300	PVC-U	EPDM perox. FPM	ISO/DIN ANSI/ASTM British Standard JIS
		PVC-C		

CODES FOR BUTTERFLY VALVES INDUSTRIAL SERIES WITH J+J ACTUATOR



CÓDIGOS VÁLVULAS DE MARIPOSA SERIE INDUSTRIAL CON ACTUADOR J+J

	ELLECTRICALLY ACTUATED VALVE VÁLVULA CON ACTUADOR ELÉCTRICO	ELLECTRICALLY ACTUATED VALVE + BSR SAFETY BLOCK VÁLVULA CON ACTUADOR ELÉCTRICO + BLOQUE DE SEGURIDAD BSR
	24-240 VAC/VDC	24-240 VAC/VDC
PVC-U BUTTERFLY VALVE INDUSTRIAL SERIES (EPDM) VÁLVULA DE MARIPOSA PVC-U SERIE INDUSTRIAL (EPDM)		
DN65 - D60/D75	30272	30286
DN80 - D90	30273	30287
DN100 - D110	30274	30288
DN125 - D125/D140	30275	30289
DN150 - D160	30276	30290
DN200 - D200/225	30277	30291
DN250 - D250/280	30278	30292
DN300 - D315	32742	32744
PVC-U BUTTERFLY VALVE INDUSTRIAL SERIES (FPM) VÁLVULA DE MARIPOSA PVC-U SERIE INDUSTRIAL (FPM)		
DN65 - D60/D75	30336	30350
DN80 - D90	30337	30351
DN100 - D110	30338	30352
DN125 - D125/D140	30339	30353
DN150 - D160	30340	30354
DN200 - D200/225	30341	30355
DN250 - D250/280	30342	30356
DN300 - D315	32749	32751

These codes are only for the PVC-U valve with solvent socket unions, for more configuration, go to Actuated valves Code Generator (page 276)

Estos códigos son sólo para válvulas de PVC-U con uniones encoladas, para más configuraciones, ver el Generador de códigos de válvulas actuadas (Página 276)

SPARE PARTS CODES FOR J+J ACTUATOR

CÓDIGOS DE RECAMBIOS ACTUADOR J+J



	ELECTRIC ACTUATOR <i>ACTUADOR ELÉCTRICO</i>	ACTUATOR + BSR <i>ACTUADOR + BSR</i>	ACTUATOR + DPS <i>ACTUADOR + DPS</i>	ACTUATOR + BSR + DPS <i>ACTUADOR + BSR + DPS</i>	Kit BSR Page 370 <i>Only for J4C act. Other models *</i>	ACTUATION KIT * <i>KIT ACTUACIÓN *</i>
DN65 - D60/D75	30677 J4C S055	30850 J4C S055	30858 J4C S055	65278 J4C S055	74213	57498
DN80 - D90	30677 J4C S055	30850 J4C S055	30858 J4C S055	65278 J4C S055	74213	35901
DN100 - D110	46654 J4C S085	53834 J4C S085	10065 J4C S085	65280 J4C S085	74213	35901
DN125 - D125/D140	30678 J4C S140	30851 J4C S140	30859 J4C S140	65282 J4C S140	74214	69632
DN150 - D160	30678 J4C S140	30851 J4C S140	30859 J4C S140	65282 J4C S140	74214	69632
DN200 - D200/225	30679 J4C S300	30852 J4C S300	30860 J4C S300	65284 J4C S300	74214	35908
DN250 - D250/280	30679 J4C S300	30852 J4C S300	30860 J4C S300	65284 J4C S300	74214	35912
DN300 - D315	30679 J4C S300	30852 J4C S300	30860 J4C S300	65284 J4C S300	74214	35912

* Kit BSR
J3C S20 - J3C S85 : **CODE 72730**
J3C 140 - J3C 300 : **CODE 66354**

* ACTUATION KIT

* KIT DE ACTUACIÓN

The kit includes all the necessary elements to connect the ball valve with the actuator and it is ready for all the brands of actuators following the ISO 5211 regulation.
Components: coupling bush, bolts, mounting clamp.

El kit incluye todos los elementos necesarios para conectar la válvula de bola con el actuador y es compatible con todas las marcas de actuadores que siguen la norma ISO 5211.
Componentes: pieza de conexión, tornillería, soporte actuación.

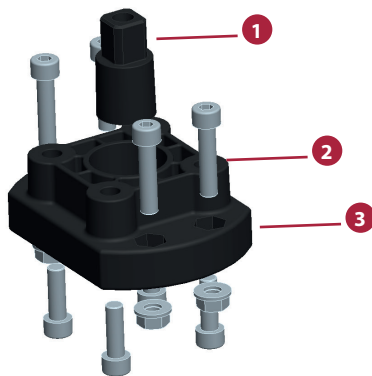


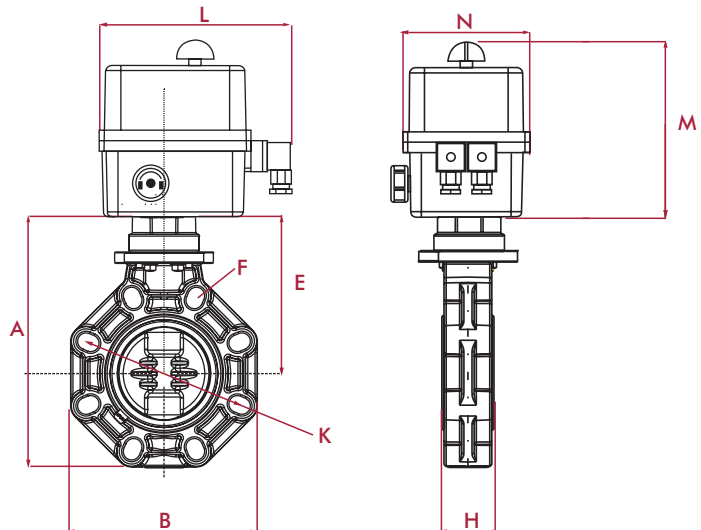
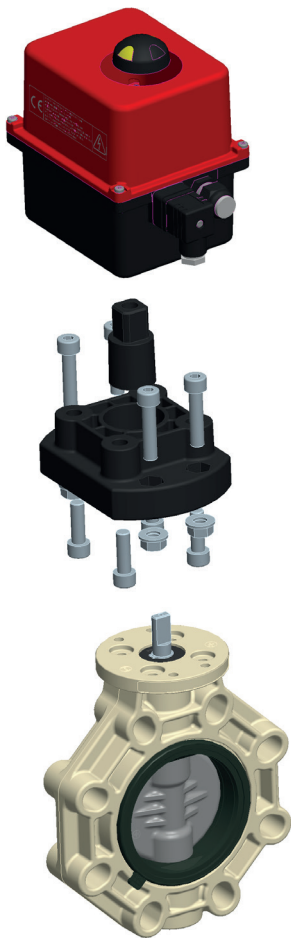
FIG.	Parts	Despiece	Material
1	Coupling bush	Conexión	Aluminium (D63-D160) SS AISI-304 (D200-D315)
2	Screws DIN-912	Tornillos DIN-912	SS AISI-304
3	Mounting clamp	Soporte actuación	PP-GR

See the instructions manual to know the specific characteristics of each actuator.
Consultar manual de instrucciones válvulas actuadas para ver las características específicas de cada actuador.

ELECTRIC ACTUATION - BUTTERFLY VALVES INDUSTRIAL SERIES

ACTUACIÓN ELÉCTRICA - VÁLVULAS DE MARIPOSA SERIE INDUSTRIAL

Options	Características técnicas
[IND] Series Ball Valve with reversible electric actuator multi-voltage	Válvula de bola Serie [IND] con actuador eléctrico reversible multivoltaje
Electronic torque control, with limitation of maximum torque	Control electrónico del par, con limitación de par máximo
Actuator guaranteed for 50.000 cycles with a duty rating of 30%	Actuador garantizado para 50.000 ciclos con un tiempo bajo tensión del 30%
Automatic / manual lever, with manual override	Selector automático/manual, con mando manual de emergencia
Open and closed volt free contacts	Contactos auxiliares de final de posición
Enclosure in antricorrosive polyamide	Cuerpo y tapa en poliamida anti-corrosivo



SIZES (MM)
MEDIDAS (MM)

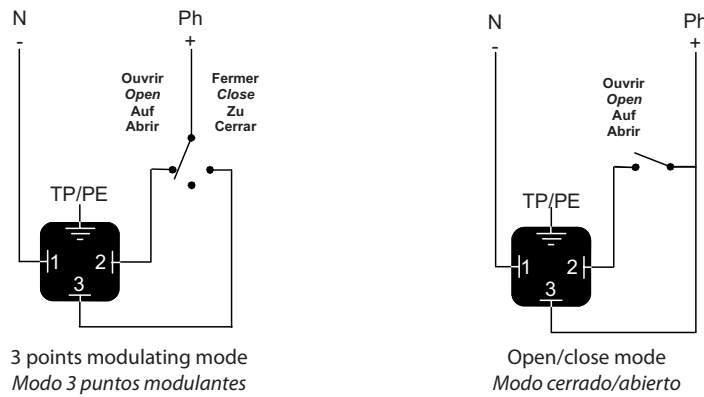
DN	D	A	B	F	H	K	E	L	M	N	Weight (Kg)
65	63 - 75	201	156	18	48	125/145	150	193	176	128	4,53
80	90	232	190	19	52	150/170	166	193	176	128	4,30
100	110	255	212	19	59	180/192	178	193	176	128	6,64
125	125 - 140	284	238	22	66	190/215	194	242	258	275	10,40
150	160	314	265	24	72	240	210	242	258	275	11,24
200	200 - 225	378	320	23	73	270/298	260	242	258	275	16,00
250	250 - 280	461	453	29	114	335/362	306	242	258	275	24,80
300	315	556	477	29	114	390/432	358	242	258	275	29,40

ACTUATOR CHARACTERISTICS
CARACTERÍSTICAS ACTUADOR



Model	Voltage	Operation time	Maximum torque	Max. Consumption	IP rating	Duty rating	Temperature	Limit switch	Plugs
ER60	24 VAC/VDC 100-240 VAC	10 s 14 s	60 Nm 531 in-lbf	45 W	IP 65	30%	-10° / 55° C 14° / 131° F	4 SPTD	1 DIN 43650 1 gland / prensaestopas
VS150	24 VAC/VDC 100-240 VAC	30 s	150 Nm 1327,5 in-lbf	45 W	IP 65	30%	-10° / 55° C 14° / 131° F	4 SPTD	2 glands / prensaestopas
VS300	24 VAC/VDC 100-240 VAC	50 s	300 Nm 2655,2 in-lbf	45 W	IP 65	30%	-10° / 55° C 14° / 131° F	4 SPTD	2 glands / prensaestopas

CONNECTION ELECTRICAL DIAGRAM
ESQUEMA ELÉCTRICO DE CONEXIÓN



COMPLETE RANGE
GAMA COMPLETA

SIZE <i>Diam.</i>	VALPES	Material <i>Material</i>	Gasket <i>Junta</i>	Standards <i>Standards</i>
D75 - 2½" - DN65	ER60	PVC-U	EPDM perox. FPM	ISO/DIN ANSI/ASTM British Standard JIS
		PVC-C		
		PP-H		
D90 - 3" - DN80	ER60	PVC-U	EPDM perox. FPM	ISO/DIN ANSI/ASTM British Standard JIS
		PVC-C		
		PP-H		
D110 - 4" - DN100	ER60	PVC-U	EPDM perox. FPM	ISO/DIN ANSI/ASTM British Standard JIS
		PVC-C		
		PP-H		
D140 - 5" - DN125	VS150	PVC-U	EPDM perox. FPM	ISO/DIN ANSI/ASTM British Standard JIS
		PVC-C		
		PP-H		
D160 - 6" - DN150	VS150	PVC-U	EPDM perox. FPM	ISO/DIN ANSI/ASTM British Standard JIS
		PVC-C		
		PP-H		
D225 - 8" - DN200	VS300	PVC-U	EPDM perox. FPM	ISO/DIN ANSI/ASTM British Standard JIS
		PVC-C		
		PP-H		
D250 - 10" - DN250	VS300	PVC-U	EPDM perox. FPM	ISO/DIN ANSI/ASTM British Standard JIS
		PVC-C		
		PP-H		
D315 - 12" - DN300	VS300	PVC-U	EPDM perox. FPM	ISO/DIN ANSI/ASTM British Standard JIS
		PVC-C		
		PP-H		

CODES FOR BUTTERFLY VALVES INDUSTRIAL SERIES WITH VALPES ACTUATOR



CÓDIGOS VÁLVULAS DE MARIPOSA SERIE INDUSTRIAL CON ACTUADOR VALPES

	ELECTRICALLY ACTUATED VALVE	
	VÁLVULA CON ACTUADOR ELÉCTRICO	
	24 VAC/VDC	100-240 VAC
	PVC-U BUTTERFLY VALVE INDUSTRIAL SERIES (EPDM) VÁLVULA DE MARIPOSA PVC-U SERIE INDUSTRIAL (EPDM)	
DN65 - D60/D75	30307	30293
DN80 - D90	30308	30294
DN100 - D110	30309	30295
DN125 - D125/D140	30310	30296
DN150 - D160	30311	30297
DN200 - D200/225	30312	30298
DN250 - D250/280	30313	30299
DN300 - D315	32747	32745
	PVC-U BUTTERFLY VALVE INDUSTRIAL SERIES (FPM) VÁLVULA DE MARIPOSA PVC-U SERIE INDUSTRIAL (FPM)	
DN65 - D60/D75	30371	30357
DN80 - D90	30372	30358
DN100 - D110	30373	30359
DN125 - D125/D140	30374	30360
DN150 - D160	30375	30361
DN200 - D200/225	30376	30362
DN250 - D250/280	30377	30363
DN300 - D315	32754	32752

These codes are only for the PVC-U valve with solvent socket unions, for more configuration, go to Actuated valves Code Generator (page 276)

Estos códigos son sólo para válvulas de PVC-U con uniones encoladas, para más configuraciones, ver el Generador de códigos de válvulas actuadas (Página 276)

SPARE PARTS CODES FOR VALPES ACTUATOR CÓDIGOS DE RECAMBIOS ACTUADOR VALPES



	ELECTRIC ACTUATOR ACTUADOR ELÉCTRICO		ACTUATION KIT * KIT ACTUACIÓN *
	24 VAC/VDC	100-240 VAC	
	DN65 - D60/D75	30693 ER60	30683 ER60
DN80 - D90	30693 ER60	30683 ER60	46670
DN100 - D110	30693 ER60	30683 ER60	46670
DN125 - D125/D140	30694 VS150	30684 VS150	54591
DN150 - D160	30694 VS150	30684 VS150	54591
DN200 - D200/225	30695 VS300	30685 VS300	69785
DN250 - D250/280	30695 VS300	30685 VS300	35912
DN300 - D315	30695 VS300	30685 VS300	35912

* ACTUATION KIT

* KIT DE ACTUACIÓN

The kit includes all the necessary elements to connect the ball valve with the actuator and it is ready for all the brands of actuators following the ISO 5211 regulation.
Components: coupling bush, bolts, mounting clamp.

El kit incluye todos los elementos necesarios para conectar la válvula de bola con el actuador y es compatible con todas las marcas de actuadores que siguen la norma ISO 5211.
Componentes: pieza de conexión, tornillería, soporte actuación.

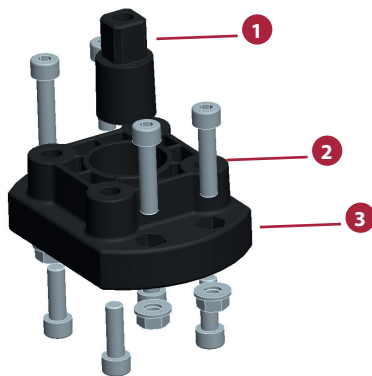


FIG.	Parts	Despiece	Material
1	Coupling bush	Conexión	Aluminium (D63-D160) SS AISI-304 (D200-D315)
2	Screws DIN-912	Tornillos DIN-912	SS AISI-304
3	Mounting clamp	Soporte actuación	PP-GR

See the instructions manual to know the specific characteristics of each actuator.
Consultar manual de instrucciones válvulas actuadas para ver las características específicas de cada actuador.

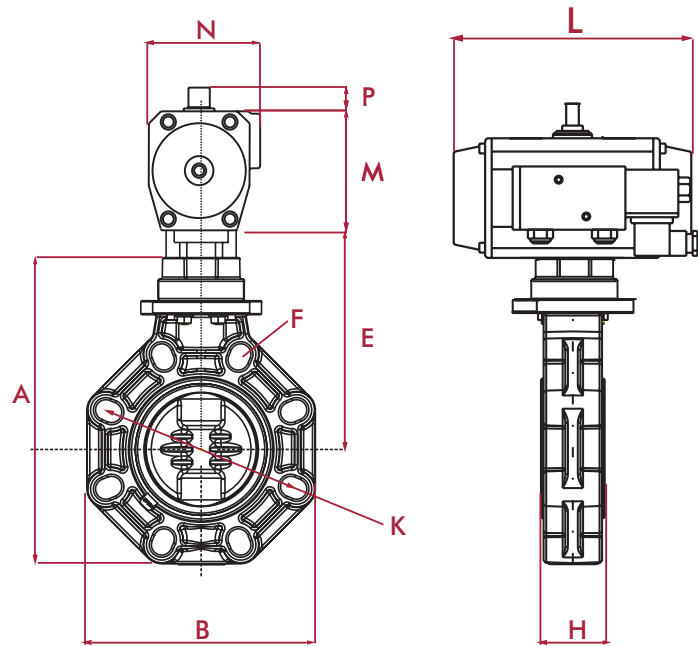
PNEUMATIC ACTUATION (SPRING RETURN) - BUTTERFLY VALVES INDUSTRIAL SERIES

ACTUACIÓN NEUMÁTICA (SIMPLE EFECTO) - VÁLVULAS DE MARIPOSA SERIE INDUSTRIAL



Technical Characteristics	Características técnicas
Industrial Series Butterfly valve with pneumatic actuator made of anodized aluminum	Válvula de mariposa Serie Industrial con actuador neumático de aluminio anodizado
Rack and pinion drive	Transmisión por piñón-cremallera
Compact design	Diseño compacto
Fast maneuvering	Rápida maniobra
Valve position visualization	Visualización de posición de la válvula
NAMUR connection that allows the assembly of the solenoid valve	Conexión NAMUR que permite el montaje de la electroválvula
Final position regulation in the actuator (+/- 5°)	Regulación de final de carrera del actuador (+/- 5°)

Options	Opciones
Limit switch box	Final de carrera
Solenoid valve	Electroválvula
Relief regulators	Reguladores de escape



SIZES (MM)
MEDIDAS (MM)

DN	D	A	B	F	H	K	E	L	M	P	N	Weight (Kg)
65	63 - 75	201	156	18	48	125/145	150	228	110	20	94	6,58
80	90	232	190	19	52	150/170	166	280,5	125	20	120	9,80
100	110	255	212	19	59	180/192	178	280,5	125	20	120	11,20
125	125 - 140	284	238	22	66	190/215	194	362	155	30	141	18,40
150	160	314	265	24	72	240	210	362	155	30	141	13,10
200	200 - 225	378	320	23	73	270/298	260	362	155	30	141	23,30
250	250 - 280	461	453	29	114	335/362	306	362	155	30	141	30,20
300	315	556	477	29	114	390/432	358	474	220	50	196	72,90

**ACTUATOR TORQUE
PAR ACTUADOR**



Air torque at indicated pressure										Spring torque		
bar	5		6		7		8					
psi	72.8		87.4		102		116.5					
6 spr./side	CLOSED TO OPEN	OPEN	CLOSED TO OPEN	OPEN	CLOSED TO OPEN	OPEN	CLOSED TO OPEN	OPEN	OPEN TO CLOSED	CLOSED		
CH085 SR	33,4 Nm 295,6 in-lbf	13,6 Nm 120,4 in-lbf	45,1 Nm 399,1 in-lbf	25,3 Nm 223,9 in-lbf	56,8 Nm 502,7 in-lbf	37,0 Nm 327,5 in-lbf	68,5 Nm 606,2 in-lbf	48,7 Nm 430,99 in-lbf	45,1 Nm 399,1 in-lbf	25,3 Nm 223,9 in-lbf		
CH100 SR	78,7 Nm 695,5 in-lbf	32,3 Nm 285,9 in-lbf	106,4 Nm 941,6 in-lbf	60,0 Nm 531 in-lbf	134,1 Nm 1.186,78 in-lbf	87,7 Nm 776,1 in-lbf	161,8 Nm 1.431,93 in-lbf	115,4 Nm 1.021,29 in-lbf	106,4 Nm 941,6 in-lbf	60,0 Nm 531 in-lbf		
CH125 SR	173,4 Nm 1.534,59 in-lbf	67,4 Nm 596,5 in-lbf	233,6 Nm 2.067,36 in-lbf	127,5 Nm 1.128,37 in-lbf	293,7 Nm 2.599,24 in-lbf	187,6 Nm 1.660,26 in-lbf	353,8 Nm 3.131,13 in-lbf	247,7 Nm 2.192,14 in-lbf	233,6 Nm 2.067,56 in-lbf	127,5 Nm 1.128,37 in-lbf		
CH180 SR	416,2 Nm 3783,6 in-lbf	222,4 Nm 2021,8 in-lbf	575,9 Nm 5235,4 in-lbf	382,1 Nm 3473,6 in-lbf	735,6 Nm 6687,2 in-lbf	641,8 Nm 5834,5 in-lbf	681,4 Nm 6194,5 in-lbf	501,9 Nm 4562,7 in-lbf	575,9 Nm 5235,4 in-lbf	382,1 Nm 3473,6 in-lbf		

· **Operating description:** In a pneumatic actuated valve (spring return, normally closed), the valve opens by the effect of the air impulsion inside the actuator (which has to surpass the springs resistance) and closes by the resistance of the springs when there is not air impulsion.

· **Descripción operativa:** En una válvula con actuador neumático de simple efecto normalmente cerrada, la válvula abre por efecto de la fuerza ejercida por la presión de aire (que debe vencer la fuerza de los muelles) y cierra por el efecto de la fuerza de los muelles en ausencia del aire a presión.

**OPERATING TIME
TIEMPO DE ABERTURA/CIERRE**

**AIR CONSUMPTION
CONSUMO DE AIRE**

	Opening time	Closing time
CH085 SR	0,7 s	1,3 s
CH100 SR	1,1 s	1,3 s
CH125 SR	1,3 s	2,1 s
CH180 SR	3 s	3 s

	Volume
CH085 SR	0,98 l
CH100 SR	1,80 l
CH125 SR	3,70 l
CH180 SR	11,10 l

**COMPLETE RANGE
GAMA COMPLETA**

SIZE Diam.	CH-AIR	Material Material	Gasket Junta	Standards Standards
D75 - 2½" - DN65	CH085 SR	PVC-U	EPDM perox. FPM	ISO/DIN ANSI/ASTM British Standard JIS
		PVC-C		
		PP-H		
D90 - 3" - DN80	CH100 SR	PVC-U	EPDM perox. FPM	ISO/DIN ANSI/ASTM British Standard JIS
		PVC-C		
		PP-H		
D110 - 4" - DN100	CH100 SR	PVC-U	EPDM perox. FPM	ISO/DIN ANSI/ASTM British Standard JIS
		PVC-C		
		PP-H		
D140 - 5" - DN125	CH125 SR	PVC-U	EPDM perox. FPM	ISO/DIN ANSI/ASTM British Standard JIS
		PVC-C		
		PP-H		
D160 - 6" - DN150	CH125 SR	PVC-U	EPDM perox. FPM	ISO/DIN ANSI/ASTM British Standard JIS
		PVC-C		
		PP-H		
D225 - 8" - DN200	CH125 SR	PVC-U	EPDM perox. FPM	ISO/DIN ANSI/ASTM British Standard JIS
		PVC-C		
		PP-H		
D250 - 10" - DN250	CH125 SR	PVC-U	EPDM perox. FPM	ISO/DIN ANSI/ASTM British Standard JIS
		PVC-C		
		PP-H		
D315 - 12" - DN300	CH180 SR	PVC-U	EPDM perox. FPM	ISO/DIN ANSI/ASTM British Standard JIS
		PVC-C		
		PP-H		

CODES FOR BUTTERFLY VALVES INDUSTRIAL SERIES WITH CH-AIR ACTUATOR



CÓDIGOS VÁLVULAS DE MARIPOSA SERIE INDUSTRIAL CON ACTUADOR CH-AIR

	PNEUMATICALLY ACTUATED VALVE VÁLVULA CON ACTUADOR NEUMÁTICO	PNEUMATICALLY ACTUATED VALVE + Solenoid valve (220VAC) + Limit switch box + relief regulators *
	Spring return ** Simple efecto **	Spring return ** Simple efecto **
	PVC-U BUTTERFLY VALVE INDUSTRIAL SERIES (EPDM) VÁLVULA DE MARIPOSA PVC-U SERIE INDUSTRIAL (EPDM)	
DN65 - D60/D75	30471	30485
DN80 - D90	30472	30486
DN100 - D110	30473	30487
DN125 - D125/D140	30474	30488
DN150 - D160	30475	30489
DN200 - D200/225	30476	30490
DN250 - D250/280	30477	30491
DN300 - D315	32575	32758
	PVC-U BUTTERFLY VALVE INDUSTRIAL SERIES (FPM) VÁLVULA DE MARIPOSA PVC-U SERIE INDUSTRIAL (FPM)	
DN65 - D60/D75	30524	30538
DN80 - D90	30525	30539
DN100 - D110	30526	30540
DN125 - D125/D140	30527	30541
DN150 - D160	30528	30542
DN200 - D200/225	30529	30543
DN250 - D250/280	30530	30544
DN300 - D315	32761	32762

* KIT: Electric valve (220VAC), limit switch-box and relief regulators . Read technical characteristics in page 372

* KIT: Electroválvula (220 VAC), final de carrera y reguladores de escape . Ver características técnicas en página 372

** Standard configuration: Normally Closed NC, ask for Normally Open (NO) configuration.

** Por defecto Normalmente Cerrado NC, consultar para configuración Normalmente Abierto

These codes are only for the PVC-U valve with solvent socket unions, for more configuration, go to Actuated valves Code Generator (page 276)

Estos códigos son sólo para válvulas de PVC-U con uniones encoladas, para más configuraciones, ver el Generador de códigos de válvulas actuadas (Página 276)

SPARE PARTS CODES FOR CH-AIR ACTUATOR

CÓDIGOS DE RECAMBIOS ACTUADOR CH-AIR



	PNEUMATIC ACTUATOR <i>ACTUADOR NEUMÁTICO</i>	SOLENOID VALVE <i>Page 373</i> <i>ELECTROVÁLVULA</i>	LIMIT SWITCH BOX <i>Page 375</i> <i>FINAL DE CARRERA</i>	RELIEF REGULATORS <i>REGULADORES ESCAPE</i>	ACTUATION KIT * <i>KIT ACTUACIÓN *</i>
	Spring return	230 VAC*			
DN65 - D60/D75	43288 CH085 SR	30737	30743	30745	35898
DN80 - D90	30715 CH100 SR	30737	30743	30745	35901
DN100 - D110	30715 CH100 SR	30737	30743	30745	35901
DN125 - D125/D140	30716 CH125 SR	30737	30743	30745	30904
DN150 - D160	30716 CH125 SR	30737	30743	30745	35904
DN200 - D200/225	30716 CH125 SR	30737	30743	30745	69785
DN250 - D250/280	30716 CH125 SR	30737	30743	30745	35912
DN300 - D315	30717 CH180 SR	30737	30743	30745	35914

* Solenoid valve:

* *Electroválvula:*

12 VAC	30738
12 VDC	30739
24 VAC	30740
24 VDC	30722
110 VAC	30741
110 VDC	30742

ACTUATION KIT KIT DE ACTUACIÓN

The kit includes all the necessary elements to connect the ball valve with the actuator and it is ready for all the brands of actuators following the ISO 5211 regulation.

Components: coupling bush, bolts, mounting clamp.

El kit incluye todos los elementos necesarios para conectar la válvula de bola con el actuador y es compatible con todas las marcas de actuadores que siguen la norma ISO 5211.

Componentes: pieza de conexión, tornillería, brida separadora.

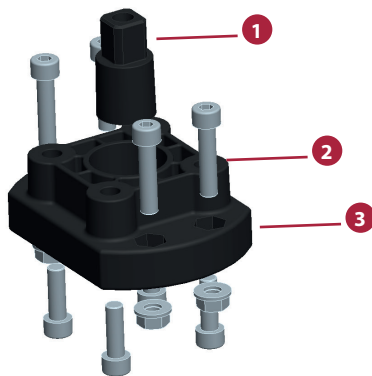


FIG.	Parts	Despiece	Material
1	Coupling bush	Casquillo unión	Aluminium (D63-D160) SS AISI-304 (D200-D315)
2	Screws DIN-912	Tornillos DIN-912	SS AISI-304
3	Mounting clamp	Soporte actuación	PP-GR

See the instructions manual to know the specific characteristics of each actuator.

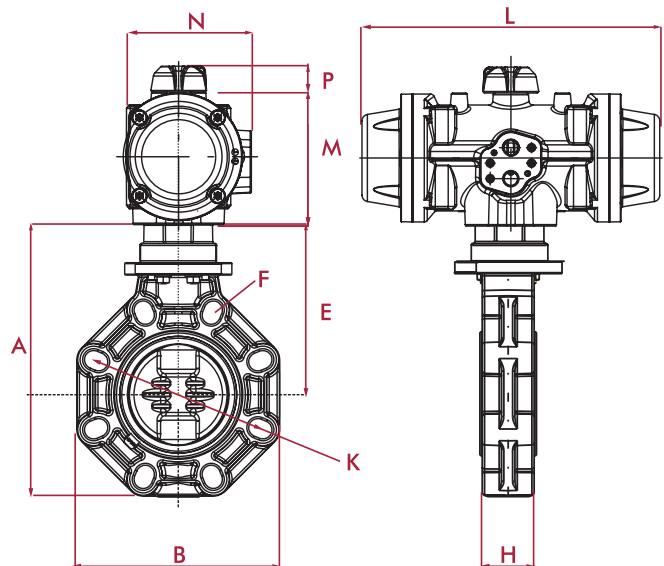
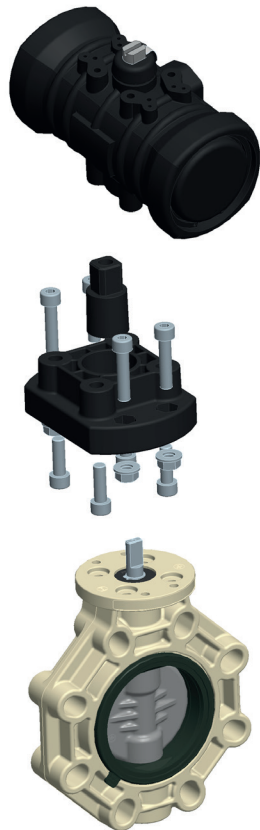
Consultar manual de instrucciones válvulas actuadas para ver las características específicas de cada actuador.

PNEUMATIC ACTUATION (SPRING RETURN) - BUTTERFLY VALVES INDUSTRIAL SERIES

ACTUACIÓN NEUMÁTICA (SIMPLE EFECTO) - VÁLVULAS DE MARIPOSA SERIE INDUSTRIAL

Technical Characteristics	Características técnicas
Industrial Series Butterfly valve with pneumatic actuator made of polyamide + glass fiber	Válvula de mariposa Serie Industrial con actuador neumático de poliamida + fibra de vidrio
Rack and pinion drive	Transmisión por piñón-cremallera
High resistance to corrosion	Alta resistencia a la corrosión
Fast maneuvering	Rápida maniobra
Valve position visualization	Visualización de posición de la válvula
NAMUR connection that allows the assembly of the solenoid valve	Conexión NAMUR que permite el montaje de la electroválvula

Options	Opciones
Limit switch box	Final de carrera
Solenoid valve	Electroválvula
Relief regulators	Reguladores de escape



SIZES (MM)
MEDIDAS (MM)

DN	D	A	B	F	H	K	E	L	M	P	N	Weight (Kg)
65	63 - 75	201	156	18	48	125/145	150	313	127	20	122	6,90
80	90	232	190	19	52	150/170	166	313	127	20	122	7,80
100	110	255	212	19	59	180/192	178	313	127	20	122	8,70

ACTUATOR TORQUE
PAR ACTUADOR



Air torque at indicated pressure									Spring torque	
bar	5		6		7		8			
psi	72.8		87.4		102		116.5			
6 spr./side	CLOSED TO OPEN	OPEN	CLOSED TO OPEN	OPEN	CLOSED TO OPEN	OPEN	CLOSED TO OPEN	OPEN	OPEN TO CLOSED	CLOSED
PP20S	70,5 Nm 624 in-lbf	31,6 Nm 279,7 in-lbf	99,7 Nm 882,4 in-lbf	60,8 Nm 538,1 in-lbf	129 Nm 1.142 in-lbf	90,1 Nm 797 in-lbf	158,2 Nm 1.400 in-lbf	119,3 Nm 1.056 in-lbf	104,7 Nm 927,7 in-lbf	65,8 Nm 582,4 in-lbf

OPERATING TIME
TIEMPO DE ABERTURA/CIERRE

CAPACITY
CAPACIDAD

	Opening time	Closing time
PP20S	0.5 s	0.5 s

	Volume
PP20S	0,8 l.

COMPLETE RANGE
GAMA COMPLETA

SIZE <i>Diam.</i>	PRISMA	Material Material	Gasket Junta	Standards Standards
D75 - 2½" - DN65	PP20S	PVC-U	EPDM perox. FPM	ISO/DIN ANSI/ASTM British Standard JIS
		PVC-C		
		PP-H		
D90 - 3" - DN80	PP20S	PVC-U	EPDM perox. FPM	ISO/DIN ANSI/ASTM British Standard JIS
		PVC-C		
		PP-H		
D110 - 4" - DN100	PP20S	PVC-U	EPDM perox. FPM	ISO/DIN ANSI/ASTM British Standard JIS
		PVC-C		
		PP-H		



CODES FOR BUTTERFLY VALVES INDUSTRIAL SERIES WITH PRISMA ACTUATOR

CÓDIGOS VÁLVULAS DE MARIPOSA SERIE INDUSTRIAL CON ACTUADOR PRISMA

	PNEUMATICALLY ACTUATED VALVE VÁLVULA CON ACTUADOR NEUMÁTICO	PNEUMATICALLY ACTUATED VALVE + Solenoid valve (220VAC) + Limit switch box + relief regulators *
	Spring return ** Simple efecto **	Spring return ** Simple efecto **
	PVC-U BUTTERFLY VALVE INDUSTRIAL SERIES (EPDM) VÁLVULA DE MARIPOSA PVC-U SERIE INDUSTRIAL (EPDM)	
DN65 - D60/D75	30498	30507
DN80 - D90	30499	30508
DN100 - D110	30500	30509
	PVC-U BUTTERFLY VALVE INDUSTRIAL SERIES (FPM) VÁLVULA DE MARIPOSA PVC-U SERIE INDUSTRIAL (FPM)	
DN65 - D60/D75	30551	30560
DN80 - D90	30552	30561
DN100 - D110	30553	30562

* KIT: Electric valve (220VAC), limit switch-box and relief regulators . Read technical characteristics in page 372

* KIT: Electroválvula (220 VAC), final de carrera y reguladores de escape . Ver características técnicas en página 372

** Standard configuration: Normally Closed NC, ask for Normally Open (NO) configuration.

** Por defecto Normalmente Cerrado NC, consultar para configuración Normalmente Abierto

These codes are only for the PVC-U valve with solvent socket unions, for more configuration, go to Actuated valves Code Generator (page 276)

Estos códigos son sólo para válvulas de PVC-U con uniones encoladas, para más configuraciones, ver el Generador de códigos de válvulas actuadas (Página 276)

SPARE PARTS CODES FOR PRISMA ACTUATOR CÓDIGOS DE RECAMBIOS ACTUADOR PRISMA



	PNEUMATIC ACTUATOR <i>ACTUADOR NEUMÁTICO</i>	SOLENOID VALVE <i>Page 374</i> <i>ELECTROVÁLVULA</i>	LIMIT SWITCH BOX <i>Page 376</i> <i>FINAL DE CARRERA</i>	RELIEF REGULATORS <i>REGULADORES ESCAPE</i>	ACTUATION KIT * <i>KIT ACTUACIÓN *</i>
	Spring return	230 VAC*			
DN65 - D60/D75	30727 PP20S	30746	45293	30745	55185
DN80 - D90	30727 PP20S	30746	45293	30745	55186
DN100 - D110	30727 PP20S	30746	45293	30745	55187

* Solenoid valve:
* *Electroválvula:*

12 VAC	30747
12 VDC	30748
24 VAC	30749
24 VDC	30670
110 VAC	30750
110 VDC	30751

ACTUATION KIT KIT DE ACTUACIÓN

The kit includes all the necessary elements to connect the ball valve with the actuator and it is ready for all the brands of actuators following the ISO 5211 regulation.
Components: coupling bush, bolts, mounting clamp.

El kit incluye todos los elementos necesarios para conectar la válvula de bola con el actuador y es compatible con todas las marcas de actuadores que siguen la norma ISO 5211.
Componentes: pieza de conexión, tornillería, brida separadora.

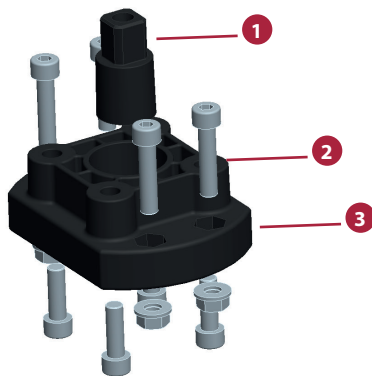


FIG.	Parts	Despiece	Material
1	Coupling bush	Casquillo unión	Aluminium (D63-D160) SS AISI-304 (D200-D315)
2	Screws DIN-912	Tornillos DIN-912	SS AISI-304
3	Mounting clamp	Soporte actuación	PP-GR

See the instructions manual to know the specific characteristics of each actuator.
Consultar manual de instrucciones válvulas actuadas para ver las características específicas de cada actuador.

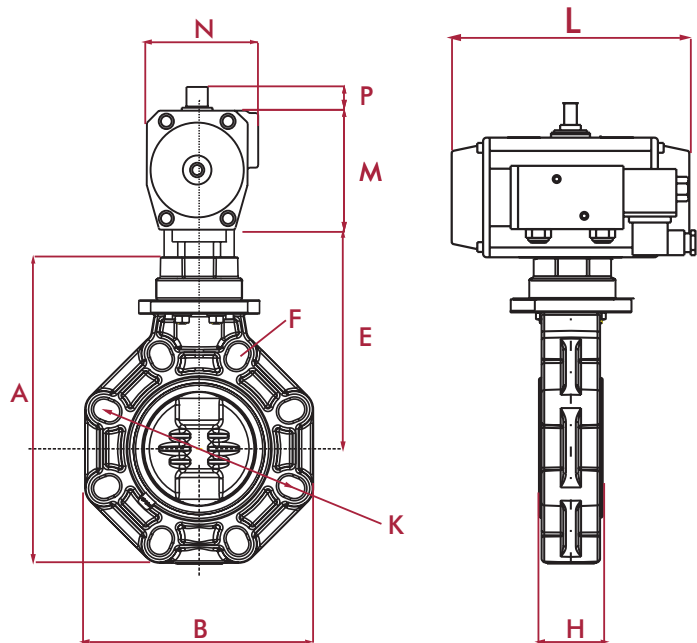
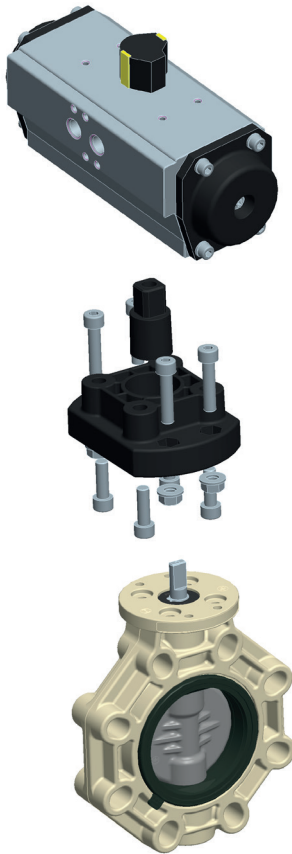
PNEUMATIC ACTUATION (DOUBLE ACTING) - BUTTERFLY VALVES INDUSTRIAL SERIES

ACTUACIÓN NEUMÁTICA (DOBLE EFECTO) - VÁLVULAS DE MARIPOSA SERIE INDUSTRIAL



Technical Characteristics	Características técnicas
Industrial Series Butterfly valve with pneumatic actuator made of anodized aluminum	Válvula de mariposa Serie Industrial con actuador neumático de aluminio anodizado
Rack and pinion drive	Transmisión por piñón-cremallera
Compact design	Diseño compacto
Fast maneuvering	Rápida maniobra
Valve position visualization	Visualización de posición de la válvula
NAMUR connection that allows the assembly of the solenoid valve	Conexión NAMUR que permite el montaje de la electroválvula
Final position regulation in the actuator (+/- 5°)	Regulación de final de carrera del actuador (+/- 5°)

Options	Opciones
Limit switch box	Final de carrera
Solenoid valve	Electroválvula
Relief regulators	Reguladores de escape



SIZES (MM)
MEDIDAS (MM)

DN	D	A	B	F	H	K	E	L	M	P	N	Weight (Kg)
65	63 - 75	201	156	18	48	125/145	150	210	100	20	94	4,58
80	90	232	190	19	52	150/170	166	210	100	20	94	5,20
100	110	255	212	19	59	180/192	178	210	100	20	94	5,80
125	125 - 140	284	238	22	66	190/215	194	280,5	125	20	120	11,20
150	160	314	265	24	72	240	210	280,5	125	20	120	12,10
200	200 - 225	378	320	23	73	270/298	260	280,5	125	20	120	14,40
250	250 - 280	461	453	29	114	335/362	306	310	142	30	134	25,40
300	315	556	477	29	114	390/432	358	362	155	30	141	34,00

**ACTUATOR TORQUE
PAR ACTUADOR**



bar	Pressure of air feeding (bar / psi)							
	3	4	5	6	7	8	9	10
psi	43,7	58,3	72,8	87,4	102	116,5	131,1	145,7
CH075	35,1 Nm 310,6 in-lbf	46,8 Nm 414,2 in-lbf	58,5 Nm 517,7 in-lbf	70,2 Nm 621,3 in-lbf	81,9 Nm 724,8 in-lbf	93,6 Nm 828,4 in-lbf	105,3 Nm 931,9 in-lbf	117,0 Nm 1035,5 in-lbf
CH100	89,2 Nm 789,4 in-lbf	110,9 Nm 981,5 in-lbf	138,6 Nm 1226,6 in-lbf	166,4 Nm 1472,6 in-lbf	194,1 Nm 1717,8 in-lbf	221,8 Nm 1962,9 in-lbf	249,5 Nm 2208,1 in-lbf	277,3 Nm 2454,1 in-lbf
CH115	137,2 Nm 1214,2 in-lbf	183,0 Nm 1619,6 in-lbf	228,7 Nm 2024 in-lbf	274,5 Nm 2429,3 in-lbf	320,2 Nm 2833,8 in-lbf	366,0 Nm 3239,1 in-lbf	411,7 Nm 3643,5 in-lbf	457,5 Nm 4048,9 in-lbf
CH125	180,5 Nm 1597,4 in-lbf	240,7 Nm 2130,2 in-lbf	300,9 Nm 2663 in-lbf	361,1 Nm 3195,7 in-lbf	421,2 Nm 3727,6 in-lbf	481,4 Nm 4260,4 in-lbf	541,6 Nm 4793,2 in-lbf	601,8 Nm 5325,9 in-lbf

**OPERATING TIME
TIEMPO DE ABERTURA/CIERRE**

	Opening time	Closing time
CH075	0,6 s	0,7 s
CH100	0,8 s	0,9 s
CH115	0,8 s	1,1 s
CH125	1,1 s	1,1 s

**AIR CONSUMPTION
CONSUMO DE AIRE**

	Volume
CH075	0,61 l
CH100	1,80 l
CH115	2,80 l
CH125	3,70 l

**COMPLETE RANGE
GAMA COMPLETA**

SIZE Diam.	CH-AIR	Material Material	Gasket Junta	Standards Standards
D75 - 2½" - DN65	CH075	PVC-U	EPDM perox. FPM	ISO/DIN ANSI/ASTM British Standard JIS
		PVC-C		
		PP-H		
D90 - 3" - DN80	CH075	PVC-U	EPDM perox. FPM	ISO/DIN ANSI/ASTM British Standard JIS
		PVC-C		
		PP-H		
D110 - 4" - DN100	CH075	PVC-U	EPDM perox. FPM	ISO/DIN ANSI/ASTM British Standard JIS
		PVC-C		
		PP-H		
D140 - 5" - DN125	CH100	PVC-U	EPDM perox. FPM	ISO/DIN ANSI/ASTM British Standard JIS
		PVC-C		
		PP-H		
D160 - 6" - DN150	CH100	PVC-U	EPDM perox. FPM	ISO/DIN ANSI/ASTM British Standard JIS
		PVC-C		
		PP-H		
D225 - 8" - DN200	CH100	PVC-U	EPDM perox. FPM	ISO/DIN ANSI/ASTM British Standard JIS
		PVC-C		
		PP-H		
D250 - 10" - DN250	CH115	PVC-U	EPDM perox. FPM	ISO/DIN ANSI/ASTM British Standard JIS
		PVC-C		
		PP-H		
D315 - 12" - DN300	CH125	PVC-U	EPDM perox. FPM	ISO/DIN ANSI/ASTM British Standard JIS
		PVC-C		
		PP-H		

CODES FOR BUTTERFLY VALVES INDUSTRIAL SERIES WITH CH-AIR ACTUATOR



CÓDIGOS VÁLVULAS DE MARIPOSA SERIE INDUSTRIAL CON ACTUADOR CH-AIR

	PNEUMATICALLY ACTUATED VALVE VÁLVULA CON ACTUADOR NEUMÁTICO	PNEUMATICALLY ACTUATED VALVE + Solenoid valve (220VAC) + Limit switch box + relief regulators *
	Double acting Doble efecto	Double acting Doble efecto
	PVC-U BUTTERFLY VALVE INDUSTRIAL SERIES (EPDM) VÁLVULA DE MARIPOSA PVC-U SERIE INDUSTRIAL (EPDM)	
DN65 - D60/D75	30464	30478
DN80 - D90	30465	30479
DN100 - D110	30466	30480
DN125 - D125/D140	30467	30481
DN150 - D160	30468	30482
DN200 - D200/225	30469	30483
DN250 - D250/280	30470	30484
DN300 - D315	32755	32756
	PVC-U BUTTERFLY VALVE INDUSTRIAL SERIES (FPM) VÁLVULA DE MARIPOSA PVC-U SERIE INDUSTRIAL (FPM)	
DN65 - D60/D75	30517	30531
DN80 - D90	30518	30532
DN100 - D110	30519	30533
DN125 - D125/D140	30520	30534
DN150 - D160	30521	30535
DN200 - D200/225	30522	30536
DN250 - D250/280	30523	30537
DN300 - D315	32759	32760

* KIT: Electric valve (220VAC), limit switch-box and relief regulators . Read technical characteristics in page 372

* KIT: Electroválvula (220 VAC), final de carrera y reguladores de escape . Ver características técnicas en página 372

These codes are only for the PVC-U valve with solvent socket unions, for more configuration, go to Actuated valves Code Generator (page 276)

Estos códigos son sólo para válvulas de PVC-U con uniones encoladas, para más configuraciones, ver el Generador de códigos de válvulas actuadas (Página 276)

SPARE PARTS CODES FOR CH-AIR ACTUATOR

CÓDIGOS DE RECAMBIOS ACTUADOR CH-AIR



	PNEUMATIC ACTUATOR <i>ACTUADOR NEUMÁTICO</i>	SOLENOID VALVE <i>Page 373</i> <i>ELECTROVÁLVULA</i>	LIMIT SWITCH BOX <i>Page 375</i> <i>FINAL DE CARRERA</i>	RELIEF REGULATORS <i>REGULADORES ESCAPE</i>	ACTUATION KIT * <i>KIT ACTUACIÓN *</i>
	Double acting	230 VAC*			
DN65 - D60/D75	30708 CH075	30737	30743	30745	35898
DN80 - D90	30708 CH075	30737	30743	30745	57497
DN100 - D110	30708 CH075	30737	30743	30745	57497
DN125 - D125/D140	30709 CH100	30737	30743	30745	35905
DN150 - D160	30709 CH100	30737	30743	30745	35905
DN200 - D200/225	30709 CH100	30737	30743	30745	35909
DN250 - D250/280	30710 CH115	30737	30743	30745	35912
DN300 - D315	41872 CH125	30737	30743	30745	35912

* Solenoid valve:

* *Electroválvula:*

12 VAC	30738
12 VDC	30739
24 VAC	30740
24 VDC	30722
110 VAC	30741
110 VDC	30742

ACTUATION KIT KIT DE ACTUACIÓN

The kit includes all the necessary elements to connect the ball valve with the actuator and it is ready for all the brands of actuators following the ISO 5211 regulation.

Components: coupling bush, bolts, mounting clamp.

El kit incluye todos los elementos necesarios para conectar la válvula de bola con el actuador y es compatible con todas las marcas de actuadores que siguen la norma ISO 5211.

Componentes: pieza de conexión, tornillería, brida separadora.

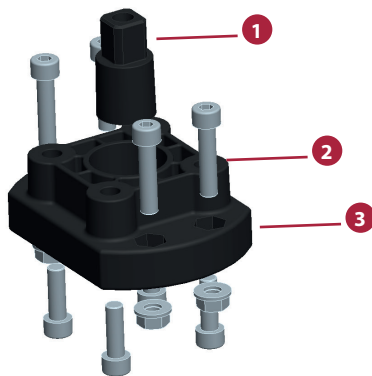


FIG.	Parts	Despiece	Material
1	Coupling bush	Casquillo unión	Aluminium (D63-D160) SS AISI-304 (D200-D315)
2	Screws DIN-912	Tornillos DIN-912	SS AISI-304
3	Mounting clamp	Soporte actuación	PP-GR

See the instructions manual to know the specific characteristics of each actuator.

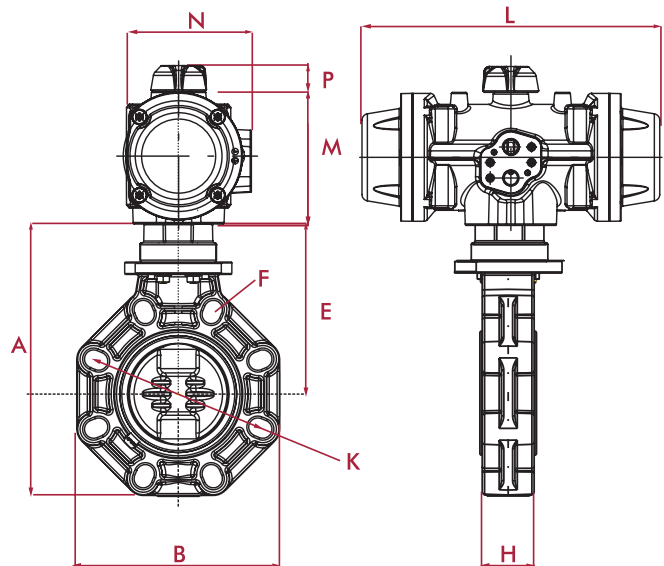
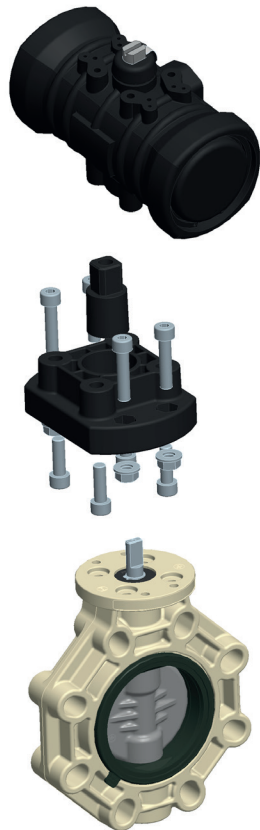
Consultar manual de instrucciones válvulas actuadas para ver las características específicas de cada actuador.

PNEUMATIC ACTUATION (DOUBLE ACTING) - BUTTERFLY VALVES INDUSTRIAL SERIES

ACTUACIÓN NEUMÁTICA (DOBLE EFECTO) - VÁLVULAS DE MARIPOSA SERIE INDUSTRIAL

Technical Characteristics	Características técnicas
Industrial Series Butterfly valve with pneumatic actuator made of polyamide + glass fiber	Válvula de mariposa Serie Industrial con actuador neumático de poliamida + fibra de vidrio
Rack and pinion drive	Transmisión por piñón-cremallera
High resistance to corrosion	Alta resistencia a la corrosión
Fast maneuvering	Rápida maniobra
Valve position visualization	Visualización de posición de la válvula
NAMUR connection that allows the assembly of the solenoid valve	Conexión NAMUR que permite el montaje de la electroválvula

Options	Opciones
Limit switch box	Final de carrera
Solenoid valve	Electroválvula
Relief regulators	Reguladores de escape



SIZES (MM)
MEDIDAS (MM)

DN	D	A	B	F	H	K	E	L	M	P	N	Weight (Kg)
65	63 - 75	201	156	18	48	125/145	150	230	103	20	97	3,25
80	90	232	190	19	52	150/170	166	230	103	20	97	3,80
100	110	255	212	19	59	180/192	178	230	103	20	97	4,30
125	125 - 140	284	238	22	66	190/215	194	313	127	20	122	7,70
150	160	314	265	24	72	240	210	313	127	20	122	11,80
200	200 - 225	378	320	23	73	270/298	260	313	127	20	122	11,50

**ACTUATOR TORQUE
PAR ACTUADOR**



	3	4	5	6	7	8
bar						
psi	43,7	58,3	72,8	87,4	102	116,5
PP10	32,9 Nm 291 in-lbf	45,6 Nm 404 in-lbf	58,3 Nm 516 in-lbf	71 Nm 628 in-lbf	83,7 Nm 741 in-lbf	96,4 Nm 853 in-lbf
PP20	77,7 Nm 687,8 in-lbf	107 Nm 947,3 in-lbf	136,3 Nm 1.206 in-lbf	165,4 Nm 1.465 in-lbf	194,8 Nm 1.724 in-lbf	224 Nm 1.983 in-lbf

**OPERATING TIME
TIEMPO DE ABERTURA/CIERRE**

**CAPACITY
CAPACIDAD**

	Opening time	Closing time
PP10	0.25 s	0.25 s
PP20	0.4 s	0.4 s

	Volume
PP10	0,45 l.
PP20	1,15 l.

**COMPLETE RANGE
GAMA COMPLETA**

SIZE Diam.	PRISMA	Material Material	Gasket Junta	Standards Standards
D75 - 2½" - DN65	PP10	PVC-U	EPDM perox. FPM	ISO/DIN ANSI/ASTM British Standard JIS
		PVC-C		
		PP-H		
D90 - 3" - DN80	PP10	PVC-U	EPDM perox. FPM	ISO/DIN ANSI/ASTM British Standard JIS
		PVC-C		
		PP-H		
D110 - 4" - DN100	PP10	PVC-U	EPDM perox. FPM	ISO/DIN ANSI/ASTM British Standard JIS
		PVC-C		
		PP-H		
D140 - 5" - DN125	PP20	PVC-U	EPDM perox. FPM	ISO/DIN ANSI/ASTM British Standard JIS
		PVC-C		
		PP-H		
D160 - 6" - DN150	PP20	PVC-U	EPDM perox. FPM	ISO/DIN ANSI/ASTM British Standard JIS
		PVC-C		
		PP-H		
D225 - 8" - DN200	PP20	PVC-U	EPDM perox. FPM	ISO/DIN ANSI/ASTM British Standard JIS
		PVC-C		
		PP-H		



CODES FOR BUTTERFLY VALVES INDUSTRIAL SERIES WITH PRISMA ACTUATOR

CÓDIGOS VÁLVULAS DE MARIPOSA SERIE INDUSTRIAL CON ACTUADOR PRISMA

	PNEUMATICALLY ACTUATED VALVE VÁLVULA CON ACTUADOR NEUMÁTICO	PNEUMATICALLY ACTUATED VALVE + Solenoid valve (220VAC) + Limit switch box + relief regulators *
	Double acting Doble efecto	Double acting Doble efecto
	PVC-U BUTTERFLY VALVE INDUSTRIAL SERIES (EPDM) VÁLVULA DE MARIPOSA PVC-U SERIE INDUSTRIAL (EPDM)	
DN65 - D60/D75	30492	30501
DN80 - D90	30493	30502
DN100 - D110	30494	30503
DN125 - D125/D140	30495	30504
DN150 - D160	30496	30505
DN200 - D200/225	30497	30506
	PVC-U BUTTERFLY VALVE INDUSTRIAL SERIES (FPM) VÁLVULA DE MARIPOSA PVC-U SERIE INDUSTRIAL (FPM)	
DN65 - D60/D75	30545	30554
DN80 - D90	30546	30555
DN100 - D110	30547	30556
DN125 - D125/D140	30548	30557
DN150 - D160	30549	30558
DN200 - D200/225	30550	30559

* KIT: Electric valve (220VAC), limit switch-box and relief regulators . Read technical characteristics in page 372

* KIT: Electroválvula (220 VAC), final de carrera y reguladores de escape . Ver características técnicas en página 372

These codes are only for the PVC-U valve with solvent socket unions, for more configuration, go to Actuated valves Code Generator (page 276)

Estos códigos son sólo para válvulas de PVC-U con uniones encoladas, para más configuraciones, ver el Generador de códigos de válvulas actuadas (Página 276)

SPARE PARTS CODES FOR PRISMA ACTUATOR

CÓDIGOS DE RECAMBIOS ACTUADOR PRISMA



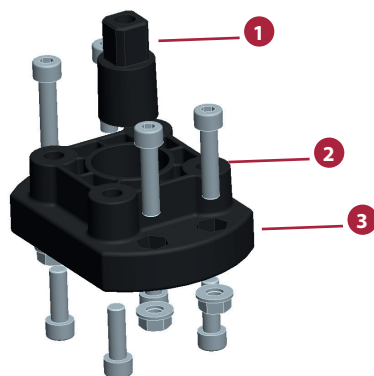
	PNEUMATIC ACTUATOR <i>ACTUADOR NEUMÁTICO</i>	SOLENOID VALVE <i>Page 374</i> <i>ELECTROVÁLVULA</i>	LIMIT SWITCH BOX <i>Page 376</i> <i>FINAL DE CARRERA</i>	RELIEF REGULATORS <i>REGULADORES ESCAPE</i>	ACTUATION KIT * <i>KIT ACTUACIÓN *</i>
	Double acting	230 VAC*			
DN65 - D60/D75	30720 PP10	30746	45293	30745	35922
DN80 - D90	30720 PP10	30746	45293	30745	35923
DN100 - D110	30720 PP10	30746	45293	30745	35924
DN125 - D125/D140	30721 PP20	30746	45293	30745	35925
DN150 - D160	30721 PP20	30746	45293	30745	35925
DN200 - D200/225	30721 PP20	30746	45293	30745	35926

* Solenoid valve:
* *Electroválvula:*

12 VAC	30747
12 VDC	30748
24 VAC	30749
24 VDC	30670
110 VAC	30750
110 VDC	30751

ACTUATION KIT KIT DE ACTUACIÓN

The kit includes all the necessary elements to connect the ball valve with the actuator and it is ready for all the brands of actuators following the ISO 5211 regulation.
Components: coupling bush, bolts, mounting clamp.



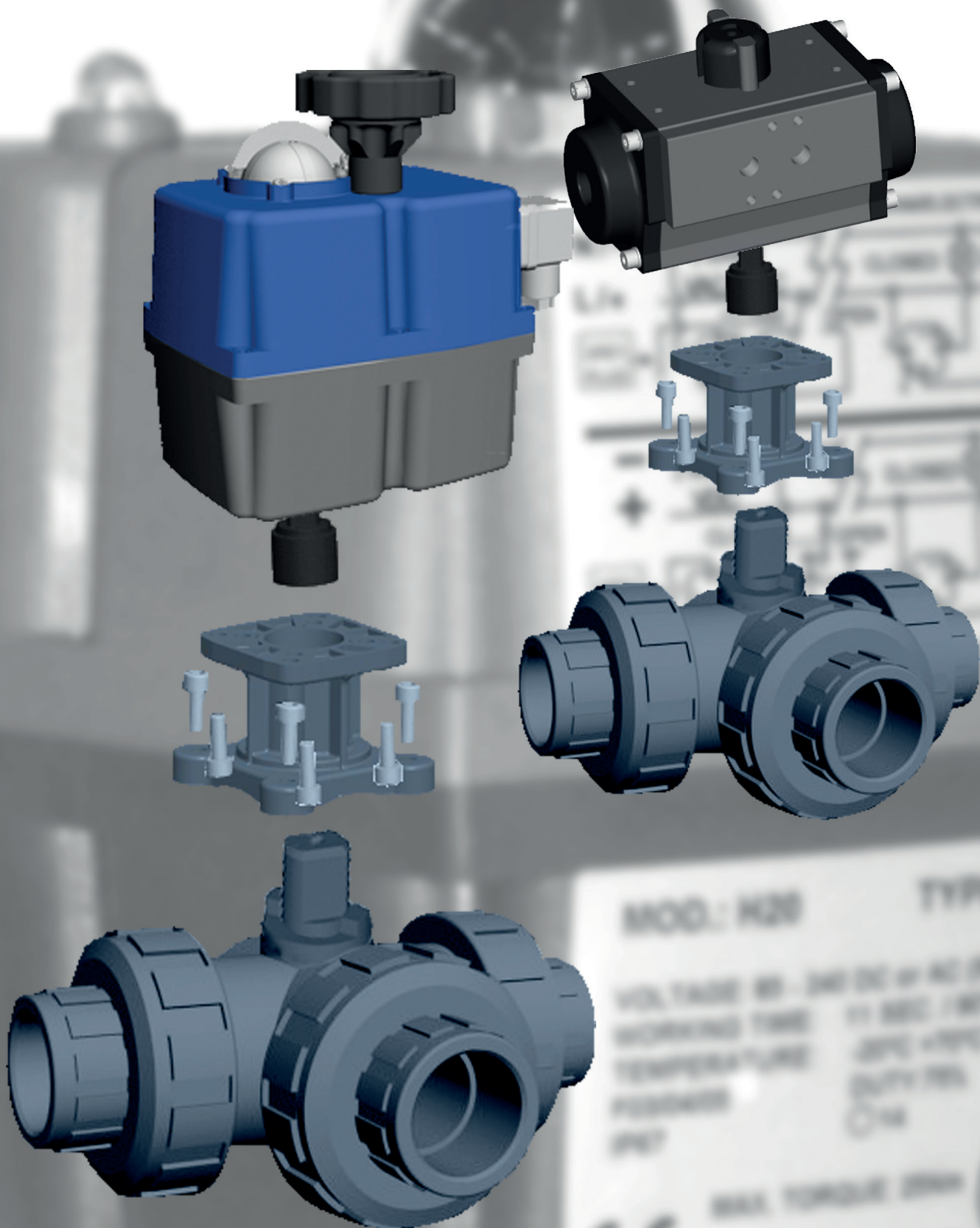
El kit incluye todos los elementos necesarios para conectar la válvula de bola con el actuador y es compatible con todas las marcas de actuadores que siguen la norma ISO 5211.
Componentes: pieza de conexión, tornillería, brida separadora.

FIG.	Parts	Despiece	Material
1	Coupling bush	Casquillo unión	Aluminium (D63-D160) SS AISI-304 (D200-D315)
2	Screws DIN-912	Tornillos DIN-912	SS AISI-304
3	Mounting clamp	Soporte actuación	PP-GR

See the instructions manual to know the specific characteristics of each actuator.
Consultar manual de instrucciones válvulas actuadas para ver las características específicas de cada actuador.

BALL VALVE 3-WAY SERIES

VÁLVULA DE BOLA SERIE 3 VÍAS



MOD.: K20 TYPE: 33A

VOLTAGE: 24V AC/DC or 12V DC

WORKING TIME: 10,000,000

TEMPERATURE: 0°C to 50°C

IP67

CE Nº: 01100317447

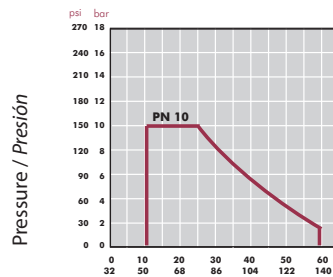
BALL VALVE CHARACTERISTICS 3-WAY SERIES

CARACTERÍSTICAS DE LA VÁLVULA DE BOLA SERIE 3 VÍAS



PRESSURE / TEMPERATURE GRAPH

DIAGRAMA PRESIÓN / TEMPERATURA



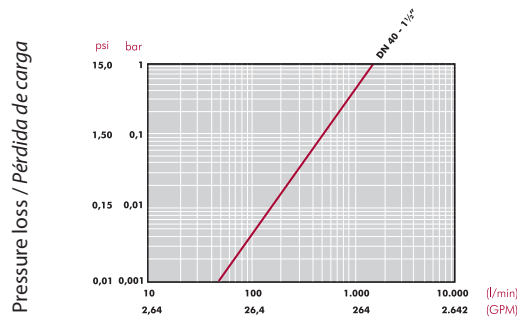
Life: 25 years
Hydrostatic maximum pressure a component may withstand in continuous service (without overpressure)

Vida útil: 25 años
Presión hidrostática máxima que un componente es capaz de soportar en servicio continuo (sin sobrepresión)

Temperature / Temperatura

PRESSURE LOSS DIAGRAM

DIAGRAMA DE PÉRDIDAS DE CARGA



Flow / Caudal

RELATIVE FLOW

FLUJO RELATIVO

D	50-1½"
DN	40
Kv ₁₀₀	1.050
Cv	73,5

$$Cv = Kv_{100} / 14,28$$

$$Kv_{100} \text{ (l/min, } \Delta p = 1 \text{ bar)}$$

$$Cv \text{ (GPM, } \Delta p = 1 \text{ psi)}$$

OPERATIONAL TORQUE CHART

TABLA DE PAR DE MANIOBRA

D	50-1½"
DN	40
Nm	5
in·lbf	44,3

Operating torque values at rated pressure (PN) and 20 °C in as new direct from the factory condition. Installation and operating conditions (pressure and temperature) will affect these values. The actuator that is required for an automatic operation must be calculated according to some safety factors that were determined in life tests carried out in the factory.

Los valores de par de giro se determinan a presión nominal (PN) y a 20 °C, en condiciones de salida de fábrica. Las condiciones de instalación y operación (presión y temperatura) afectarán a estos valores. El actuador requerido para automatizar el giro debe ser calculado teniendo en cuenta ciertos coeficientes de seguridad que han sido determinados en pruebas de fatiga realizadas en fábrica.

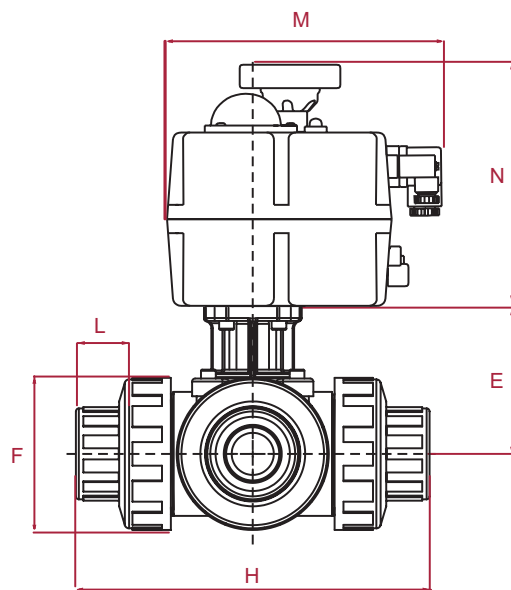
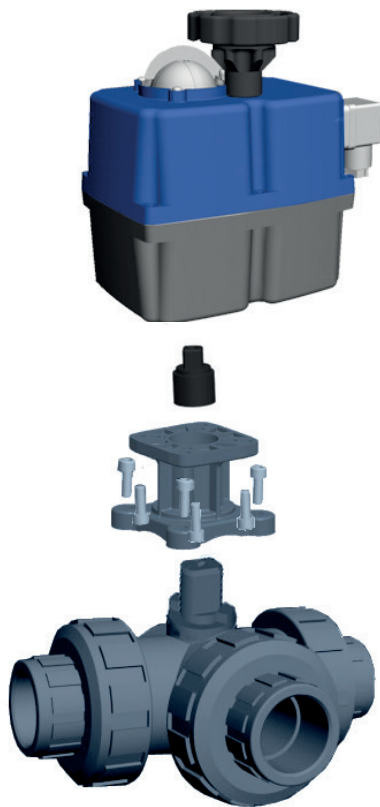
ELECTRIC ACTUATION - BALL VALVES 3-WAY SERIES

ACTUACIÓN ELÉCTRICA - VÁLVULAS DE BOLA SERIE 3-VÍAS



Technical Characteristics	Características técnicas
3-way ball valve with reversible electric actuator multi-voltage	Válvula de bola 3 vías con actuador eléctrico reversible multivoltaje
Electronic torque control, with limitation of maximum torque	Control electrónico del par, con limitación de par máximo
Anti-condensation heating resistor	Resistencia calefactora anti-condensación
Automatic / manual lever, with manual override	Selector automático/manual, con mando manual de emergencia
Open and closed volt free contacts	Contactos auxiliares de final de posición
Indicator LED operating / error	Indicador LED de funcionamiento/errores

Options	Opciones
BSR - Safety block	BSR - Bloque seguridad
DPS - Digital positioner	DPS - Posicionador digital



SIZES (MM)
MEDIDAS (MM)

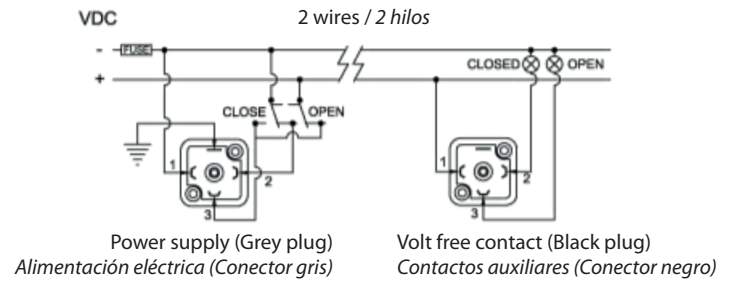
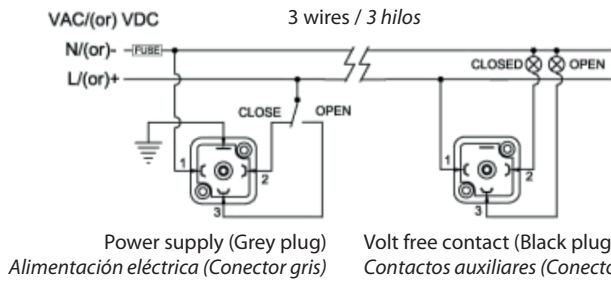
DN	D	L	H	F	E	M	N	Wight (Kg)
40	50	32	240	104	99	169	123,5	4,20

ACTUATOR CHARACTERISTICS
CARACTERÍSTICAS ACTUADOR



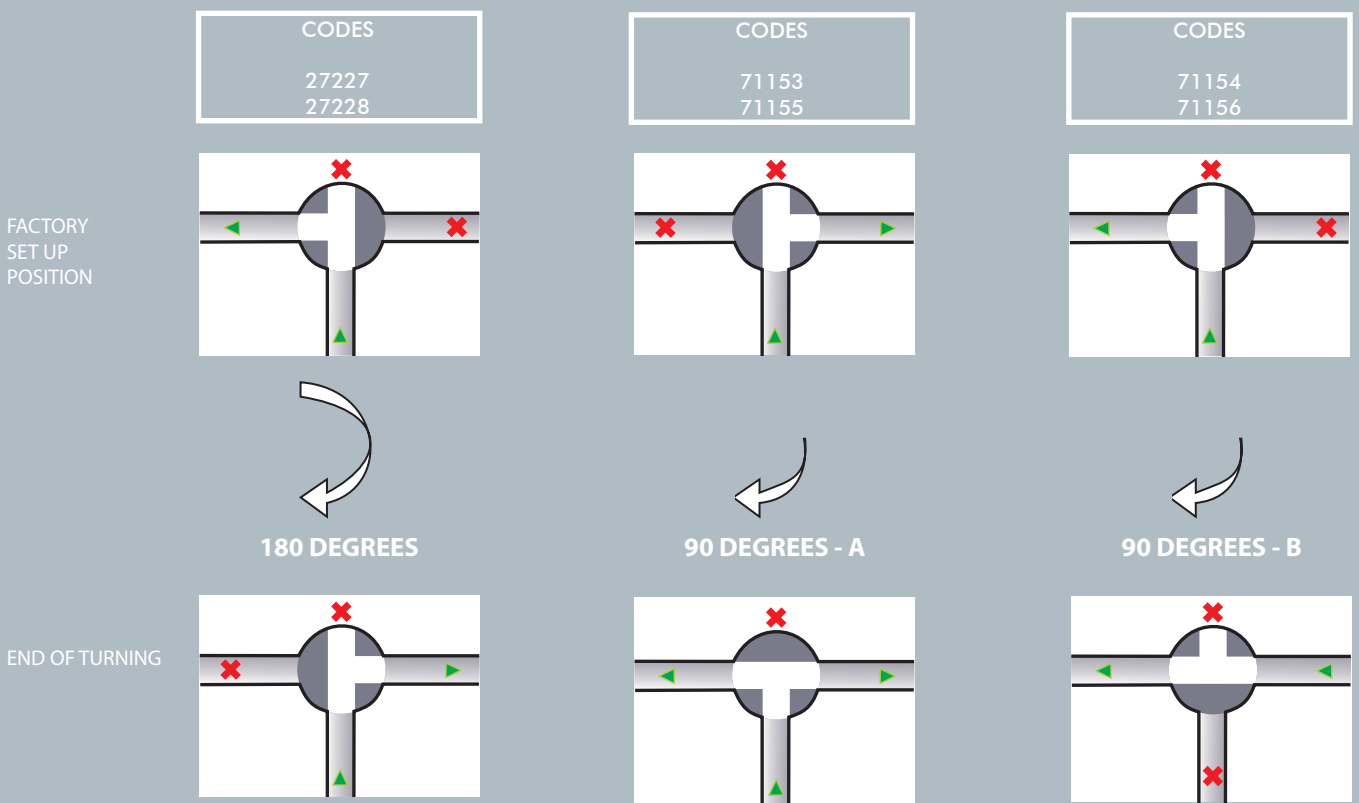
Model	Voltage	90° time	Maximum operational torque	Maximum break torque	Max. torque Consumption	Duty rating	IP rating	Temperature	Limit switch	Heating resistor	Plugs
J4C S020	24-240 VAC/VDC	10 s	20 Nm 177 in-lbf	25 Nm 221 in-lbf	24VDC - 0,45A - 10,77W 48VDC - 0,21A - 9,93W 110VDC - 0,07A - 8,00W 24 VAC - 0,59A - 14,20W 48 VAC - 0,34A - 16,37W 110 VAC - 0,14A - 15,73W 240 VAC - 0,10A - 23,76W	75%	IP 67	-20° / 70° C -4° / 158° F	4 SPTD micro	3,5 W	EN175301-803

CONNECTION ELECTRICAL DIAGRAM (WITHOUT DPS)
ESQUEMA ELÉCTRICO DE CONEXIÓN (SIN DPS)



COMPLETE RANGE
GAMA COMPLETA

SIZE	J+J	Material	Seats / O-rings	Unions	Standards
Diam.		Material	Asientos / Juntas	Uniones	Standards
D50 (1½") - DN40	J4C S020	PVC-U	HDPE / EPDM	Solvent socket Threaded	ISO/DIN, ASTM, BS BSP, NPT



CODES FOR BALL VALVES 3-WAY SERIES WITH J+J ACTUATOR

CÓDIGOS VÁLVULAS DE BOLA SERIE 3 VÍAS CON ACTUADOR J+J



	ELLECTRICALLY ACTUATED VALVE VÁLVULA CON ACTUADOR ELÉCTRICO	ELLECTRICALLY ACTUATED VALVE + BSR SAFETY BLOCK VÁLVULA CON ACTUADOR ELÉCTRICO + BLOQUE DE SEGURIDAD BSR
PVC-U BALL VALVE 3-WAY SERIES (PTFE-EPDM) VÁLVULA DE BOLA PVC-U SERIE 3 VÍAS (PTFE-EPDM)		
DN40 - D50 (180°)	27227	27228
DN40 - D50 (90° - A)	71153	71155
DN40 - D50 (90° - B)	71154	71156

These codes are only for the PVC-U valve with solvent socket unions, for more configuration, go to Actuated valves Code Generator (page 274)

Estos códigos son sólo para válvulas de PVC-U con uniones encoladas, para más configuraciones, ver el Generador de códigos de válvulas actuadas (Página 274)

SPARE PARTS CODES FOR J+J ACTUATOR

CÓDIGOS DE RECAMBIOS ACTUADOR J+J

	ELECTRIC ACTUATOR ACTUADOR ELÉCTRICO	ACTUATOR + BSR ACTUADOR + BSR	ACTUATOR + DPS ACTUADOR + DPS	Kit BSR Page 370 <i>Only for J4C act. Other models *</i>	ACTUATION KIT * KIT ACTUACIÓN *
DN40 - D50	30681 J4C S020	30849 J4C S020	30857 J4C S020	74213	30629

* Kit BSR
J3C S20 : **CODE 72730**

ACTUATION KIT * KIT DE ACTUACIÓN *

The kit includes all the necessary elements to connect the ball valve with the actuator and it is ready for all the brands of actuators following the ISO 5211 regulation.
Components: coupling bush, bolts, mounting clamp.

El kit incluye todos los elementos necesarios para conectar la válvula de bola con el actuador y es compatible con todas las marcas de actuadores que siguen la norma ISO 5211.
Componentes: pieza de conexión, tornillería, brida separadora.

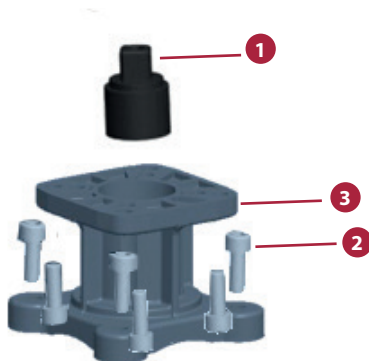


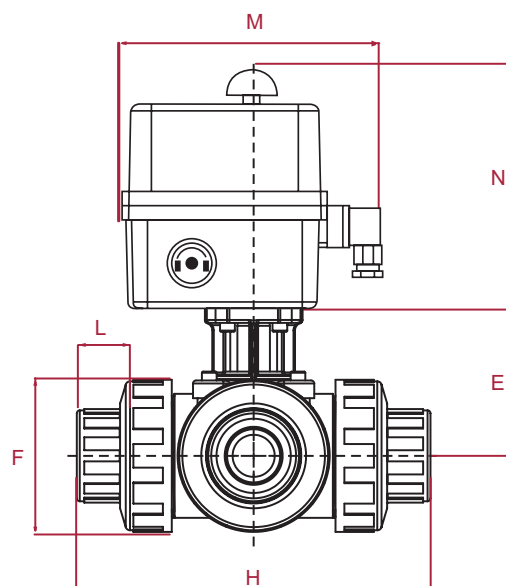
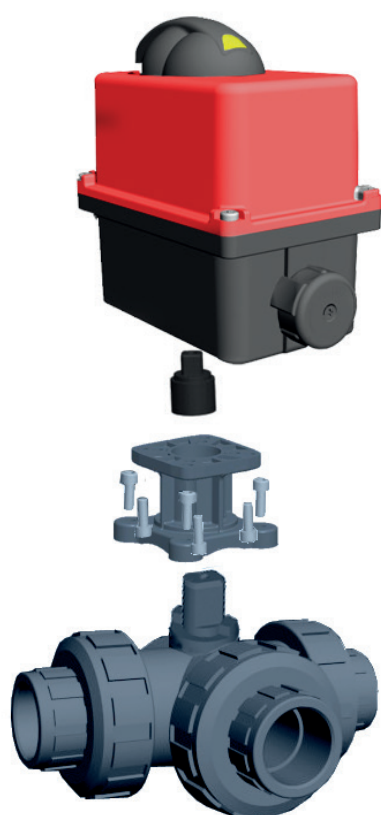
FIG.	Parts	Despiece	Material
1	Coupling bush	Casquillo unión	Aluminium
2	Screws DIN-912	Tornillos DIN-912	SS AISI-304
3	Mounting clamp	Soporte actuación	PVC-U

See the instructions manual to know the specific characteristics of each actuator.
Consultar manual de instrucciones válvulas actuadas para ver las características específicas de cada actuador.

ELECTRIC ACTUATION - BALL VALVES 3-WAY SERIES ACTUACIÓN ELÉCTRICA - VÁLVULAS DE BOLA SERIE 3-VÍAS



Options	Características técnicas
3-way ball valve with reversible electric actuator multi-voltage	Válvula de bola 3 vías con actuador eléctrico reversible multivoltaje
Electronic torque control, with limitation of maximum torque	Control electrónico del par, con limitación de par máximo
Anti-condensation heating resistor	Resistencia calefactora anti-condensación
Automatic / manual lever, with manual override	Selector automático/manual, con mando manual de emergencia
Open and closed volt free contacts	Contactos auxiliares de final de posición

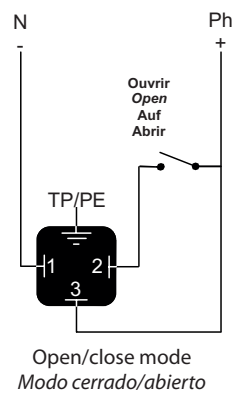
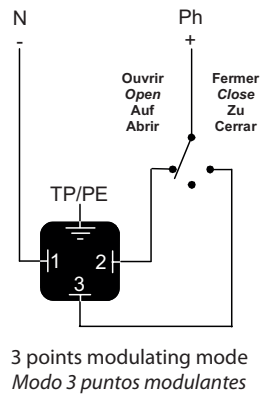


SIZES (MM)
MEDIDAS (MM)

DN	D	L	H	F	E	M	N	Weight (Kg)
40	50	32	240	104	99	178	152	3,80

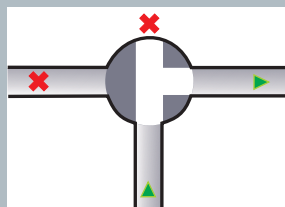
ACTUATOR CHARACTERISTICS
CARACTERÍSTICAS ACTUADOR


Model	Voltage	Operation time	Maximum torque	Max. Consumption	IP rating	Duty rating	Temperature	Limit switch	Plugs
ER20	24 VAC/VDC 100-240 VAC	7 s 9 s	20 Nm 177 in-lbf	15 W	IP 65	30%	-10° / 55° C 14° / 131° F	4 SPTD	1 DIN 43650 1 gland / prensaestopas

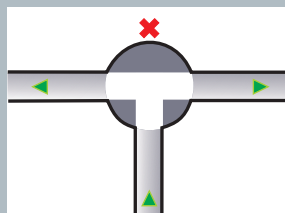
CONNECTION ELECTRICAL DIAGRAM
ESQUEMA ELÉCTRICO DE CONEXIÓN

COMPLETE RANGE
GAMA COMPLETA

SIZE	VALPES	Material	Seats / O-rings	Unions	Standards
<i>Diam.</i>		<i>Material</i>	<i>Asientos / Juntas</i>	<i>Uniones</i>	<i>Standards</i>
D50 (1½") - DN40	ER20	PVC-U	HDPE / EPDM	Solvent socket Threaded	ISO/DIN, ASTM, BS BSP, NPT

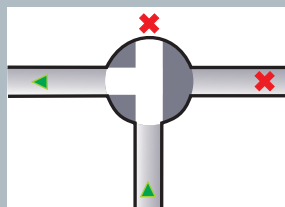
 FACTORY
 SET UP
 POSITION

 CODES
 29874
 29872


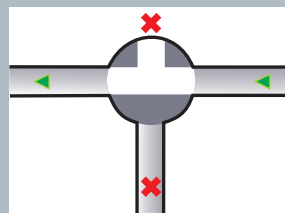
90 DEGREES - A



END OF TURNING

 CODES
 ask


90 DEGREES - B



CODES FOR BALL VALVES 3-WAY SERIES WITH VALPES ACTUATOR

CÓDIGOS VÁLVULAS DE BOLA SERIE 3 VÍAS CON ACTUADOR VALPES



	ELECTRICALLY ACTUATED VALVE	
	VÁLVULA CON ACTUADOR ELÉCTRICO	
	24 VAC/VDC	100-240 VAC
	PVC-U BALL VALVE 3-WAY SERIES (PTFE-EPDM) VÁLVULA DE BOLA PVC-U SERIE 3 VÍAS (PTFE-EPDM)	
DN40 - D50 (90° - A)	29874	29872
DN40 - D50 (90° - B)	on request	on request

These codes are only for the PVC-U valve with solvent socket unions, for more configuration, go to Actuated valves Code Generator (page 274)

Estos códigos son sólo para válvulas de PVC-U con uniones encoladas, para más configuraciones, ver el Generador de códigos de válvulas actuadas (Página 274)

SPARE PARTS CODES FOR VALPES ACTUATOR

CÓDIGOS DE RECAMBIOS ACTUADOR VALPES

	ELECTRIC ACTUATOR		ACTUATION KIT *
	ACTUADOR ELÉCTRICO		KIT ACTUACIÓN *
	24 VAC/VDC	100-240 VAC	
DN40 - D50	30696 ER20	30686 ER20	30630

ACTUATION KIT * KIT DE ACTUACIÓN *

The kit includes all the necessary elements to connect the ball valve with the actuator and it is ready for all the brands of actuators following the ISO 5211 regulation.

Components: coupling bush, bolts, mounting clamp.

El kit incluye todos los elementos necesarios para conectar la válvula de bola con el actuador y es compatible con todas las marcas de actuadores que siguen la norma ISO 5211.

Componentes: pieza de conexión, tornillería, brida separadora.

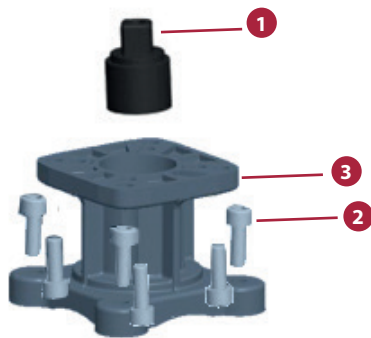


FIG.	Parts	Despiece	Material
1	Coupling bush	Casquillo unión	Aluminium
2	Screws DIN-912	Tornillos DIN-912	SS AISI-304
3	Mounting clamp	Soporte actuación	PVC-U

See the instructions manual to know the specific characteristics of each actuator.

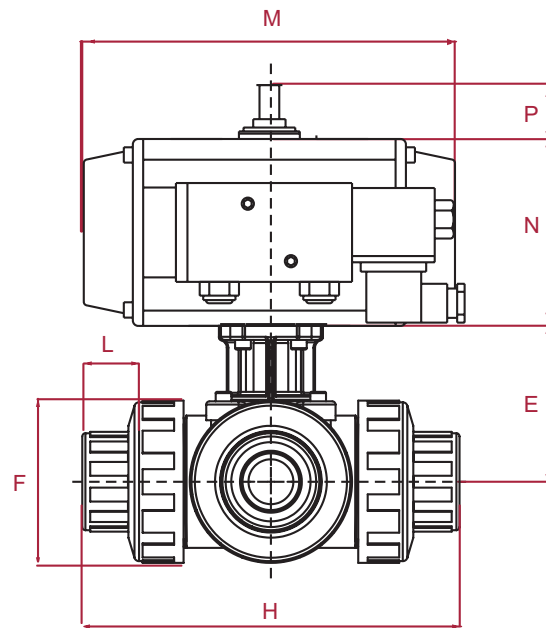
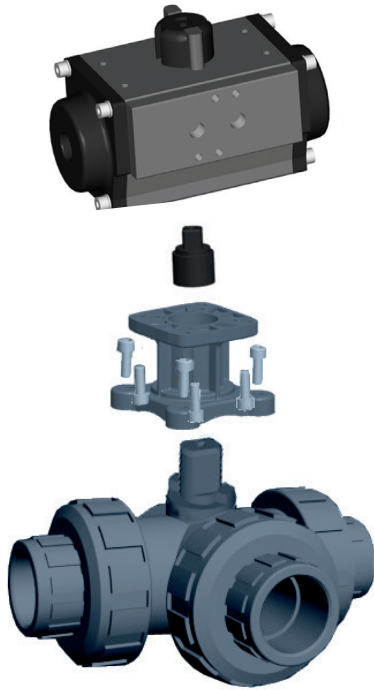
Consultar manual de instrucciones válvulas actuadas para ver las características específicas de cada actuador.

PNEUMATIC ACTUATION (DOUBLE ACTING) - BALL VALVES 3-WAY SERIES



ACTUACIÓN NEUMÁTICA (DOBLE EFECTO) - VÁLVULAS DE BOLA SERIE 3-VÍAS

Technical Characteristics	Características técnicas
3-way ball valve with pneumatic actuator made of anodized aluminum	Válvula de bola 3 vías con actuador neumático de aluminio anodizado
Rack and pinion drive	Transmisión por piñón-cremallera
Compact design	Diseño compacto
Fast maneuvering	Rápida maniobra
Valve position visualization	Visualización de posición de la válvula
NAMUR connection that allows the assembly of the solenoid valve	Conexión NAMUR que permite el montaje de la electroválvula
Final position regulation in the actuator (+/- 5°)	Regulación de final de carrera del actuador (+/- 5°)
Options	Opciones
Limit switch box	Final de carrera
Solenoid valve	Electroválvula
Relief regulators	Reguladores de escape



SIZES (MM)
MEDIDAS (MM)

DN	D	L	H	F	E	M	N	P	Weight (Kg)
40	50	32	240	104	99	155,5	83	20	4,90

**ACTUATOR TORQUE
PAR ACTUADOR**



	Pressure of air feeding (bar / psi)							
	3	4	5	6	7	8	9	10
bar	3	4	5	6	7	8	9	10
psi	43,7	58,3	72,8	87,4	102	116,5	131,1	145,7
CH063 mod 180°	16,5 Nm 145 in-lbf	22,0 Nm 195 in-lbf	27,5 Nm 243 in-lbf	33,0 Nm 292 in-lbf	38,5 Nm 341 in-lbf	44,0 Nm 389 in-lbf	49,5 Nm 438 in-lbf	55,0 Nm 487 in-lbf
CH063	16,5 Nm 145 in-lbf	22,0 Nm 195 in-lbf	27,5 Nm 243 in-lbf	33,0 Nm 292 in-lbf	38,5 Nm 341 in-lbf	44,0 Nm 389 in-lbf	49,5 Nm 438 in-lbf	55,0 Nm 487 in-lbf

· **Operating description:** In a pneumatic actuated valve (spring return, normally closed), the valve opens by the effect of the air impulsion inside the actuator (which has to surpass the springs resistance) and closes by the resistance of the springs when there is not air impulsion.

· **Descripción operativa:** En una válvula con actuador neumático de simple efecto normalmente cerrada, la válvula abre por efecto de la fuerza ejercida por la presión de aire (que debe vencer la fuerza de los muelles) y cierra por el efecto de la fuerza de los muelles en ausencia del aire a presión.

**OPERATING TIME
TIEMPO DE ABERTURA/CIERRE**

	Opening time	Closing time
CH063 mod 180°	0,6	0,7
CH063	0,6	0,7

**CAPACITY
CAPACIDAD**

	Volume
CH063 mod 180°	0,73
CH063	0,45

**COMPLETE RANGE
GAMA COMPLETA**

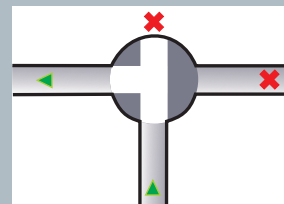
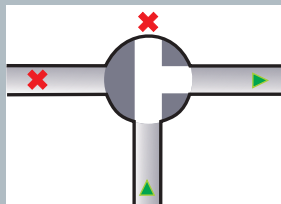
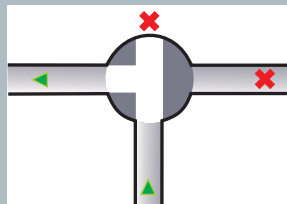
SIZE <i>Diam.</i>	CH-AIR	Material <i>Material</i>	Gasket <i>Junta</i>	Unions <i>Uniones</i>	Standards <i>Standards</i>
D50 (1½") - DN40	CH063	PVC-U	HDPE / EPDM	Solvent socket Threaded	ISO/DIN, ASTM, BS BSP, NPT

CODES
27589
27588

CODES
ask

CODES
ask

FACTORY
SET UP
POSITION



180 DEGREES

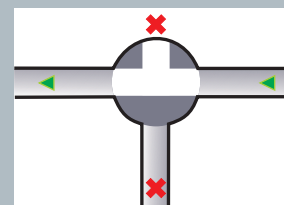
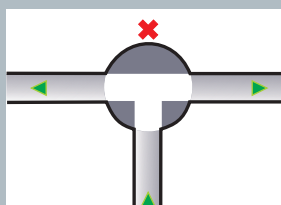
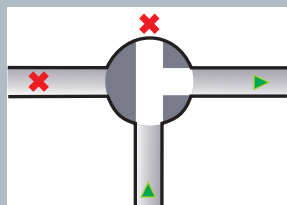


90 DEGREES - A



90 DEGREES - B

END OF TURNING



CODES FOR BALL VALVES 3-WAY SERIES WITH CH-AIR ACTUATOR (DOUBLE ACTING)

CÓDIGOS VÁLVULAS DE BOLA SERIE 3-VÍAS CON ACTUADOR CH-AIR (DOBLE EFECTO)

	PNEUMATICALLY ACTUATED VALVE VÁLVULA CON ACTUADOR NEUMÁTICO	PNEUMATICALLY ACTUATED VALVE + Solenoid valve (220VAC) + Limit switch box + relief regulators * VÁLVULA CON ACTUADOR NEUMÁTICO + Electroválvula (220VAC) + Caja final de carrera + Reguladores escape *
	Double acting Doble efecto	Double acting Doble efecto
PVC-U BALL VALVE 3-WAY SERIES (PTFE-EPDM) VÁLVULA DE BOLA PVC-U SERIE 3 VÍAS (PTFE-EPDM)		
DN40 - D50 (180°)	27589	27588
DN40 - D50 (90° - A)	on request	on request
DN40 - D50 (90° - B)	on request	on request

* KIT: Electric valve (220VAC), limit switch-box and relief regulators . Read technical characteristics in page 372

* KIT: Electroválvula (220 VAC), final de carrera y reguladores de escape . Ver características técnicas en página 372

These codes are only for the PVC-U valve with solvent socket unions, for more configuration, go to Actuated valves Code Generator (page 274)

Estos códigos son sólo para válvulas de PVC-U con uniones encoladas, para más configuraciones, ver el Generador de códigos de válvulas actuadas (Página 274)

SPARE PARTS CODES FOR CH-AIR ACTUATOR (DOUBLE ACTING)

CÓDIGOS DE RECAMBIOS ACTUADOR CH-AIR (DOBLE EFECTO)

	PNEUMATIC ACTUATOR ACTUADOR NEUMÁTICO	SOLENOID VALVE Page 373 ELECTROVÁLVULA	LIMIT SWITCH BOX Page 375 FINAL DE CARRERA	RELIEF REGULATORS REGULADORES ESCAPE	ACTUATION KIT * KIT ACTUACIÓN *
	Double effect	230 VAC*			
DN40 - D50	30711 CH063 Mod. 180°	30737	30743	30745	30843
DN40 - D50	CH063	30737	30743	30745	30843

* Solenoid valve:

* Electroválvula:

12 VAC	30738
12 VDC	30739
24 VAC	30740
24 VDC	30722
110 VAC	30741
110 VDC	30742

ACTUATION KIT * KIT DE ACTUACIÓN *

The kit includes all the necessary elements to connect the ball valve with the actuator and it is ready for all the brands of actuators following the ISO 5211 regulation.

El kit incluye todos los elementos necesarios para conectar la válvula de bola con el actuador y es compatible con todas las marcas de actuadores que siguen la norma ISO 5211.

Componentes: pieza de conexión, tornillería, brida separadora.

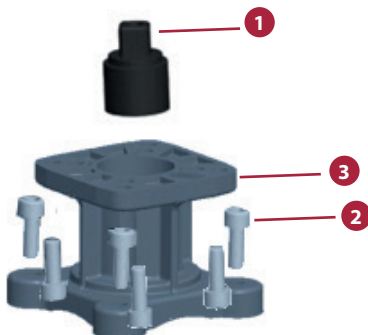


FIG.	Parts	Despiece	Material
1	Coupling bush	Casquillo unión	Aluminium
2	Screws DIN-912	Tornillos DIN-912	SS AISI-304
3	Mounting clamp	Soporte actuación	PVC-U

See the instructions manual to know the specific characteristics of each actuator.

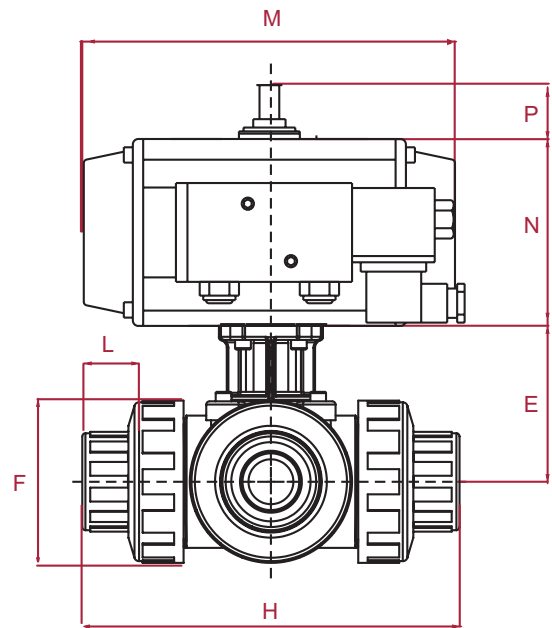
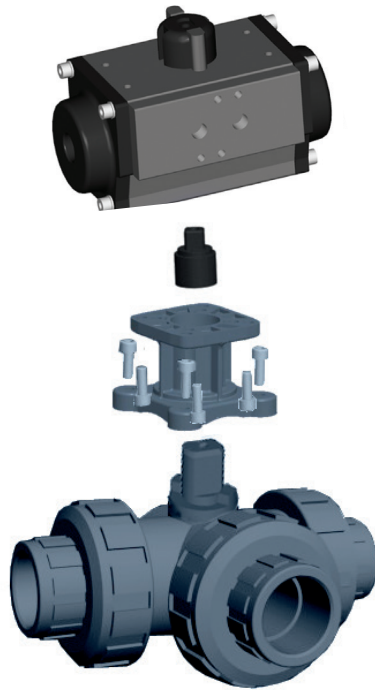
Consultar manual de instrucciones válvulas actuadas para ver las características específicas de cada actuador.

PNEUMATIC ACTUATION (SPRING RETURN) - BALL VALVES 3-WAY SERIES



ACTUACIÓN NEUMÁTICA (SIMPLE EFECTO) - VÁLVULAS DE BOLA SERIE 3-VÍAS

Technical Characteristics	Características técnicas
3-way ball valve with pneumatic actuator made of anodized aluminum	Válvula de bola 3 vías con actuador neumático de aluminio anodizado
Rack and pinion drive	Transmisión por piñón-cremallera
Compact design	Diseño compacto
Fast maneuvering	Rápida maniobra
Valve position visualization	Visualización de posición de la válvula
NAMUR connection that allows the assembly of the solenoid valve	Conexión NAMUR que permite el montaje de la electroválvula
Final position regulation in the actuator (+/- 5°)	Regulación de final de carrera del actuador (+/- 5°)
Options	Opciones
Limit switch box	Final de carrera
Solenoid valve	Electroválvula
Relief regulators	Reguladores de escape



SIZES (MM)
MEDIDAS (MM)

DN	D	L	H	F	E	M	N	P	Weight (Kg)
40	50	32	240	104	99	210	100	20	9,08

ACTUATOR TORQUE
PAR ACTUADOR


bar	Air torque at indicated pressure								Spring torque	
	5		6		7		8			
	72.8		87.4		102		116.5			
psi	72.8		87.4		102		116.5		OPEN TO CLOSED	CLOSED
6 spr./side	CLOSED TO OPEN	OPEN	CLOSED TO OPEN	OPEN	CLOSED TO OPEN	OPEN	CLOSED TO OPEN	OPEN	OPEN TO CLOSED	CLOSED
CH075 SR mod 180	33,4 Nm 295,6 in-lbf	13,6 Nm 120,4 in-lbf	45,1 Nm 399,1 in-lbf	25,3 Nm 223,9 in-lbf	56,8 Nm 502,7 in-lbf	37,0 Nm 327,5 in-lbf	68,5 Nm 606,2 in-lbf	48,7 Nm 430,99 in-lbf	45,1 Nm 399,1 in-lbf	25,3 Nm 223,9 in-lbf
CH075 SR	33,4 Nm 295,6 in-lbf	13,6 Nm 120,4 in-lbf	45,1 Nm 399,1 in-lbf	25,3 Nm 223,9 in-lbf	56,8 Nm 502,7 in-lbf	37,0 Nm 327,5 in-lbf	68,5 Nm 606,2 in-lbf	48,7 Nm 430,99 in-lbf	45,1 Nm 399,1 in-lbf	25,3 Nm 223,9 in-lbf

OPERATING TIME
TIEMPO DE ABERTURA/CIERRE

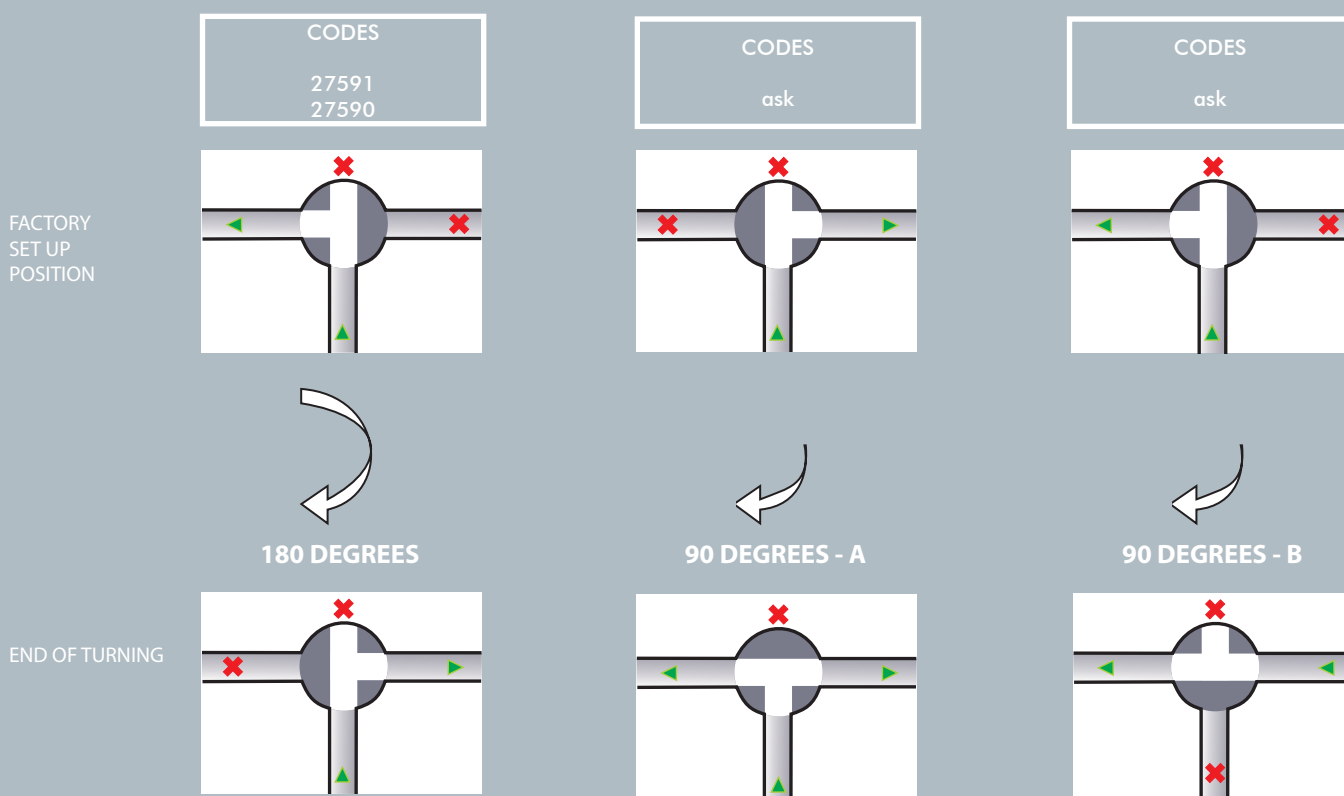
	Opening time	Closing time
CH075 SR mod 180°	0,7	1
CH075 SR	0,7	1

CAPACITY
CAPACIDAD

	Volume
CH075 SR mod 180°	1 l.
CH075 SR	0.61 l.

COMPLETE RANGE
GAMA COMPLETA

SIZE	CH-AIR	Material	Gasket	Unions	Standards
Diam.		Material	Junta	Uniones	Standards
D50 (1½") - DN40	CH075S mod 180°	PVC-U	HDPE / EPDM	Solvent socket Threaded	ISO/DIN, ASTM, BS BSP, NPT



CODES FOR BALL VALVES 3-WAY SERIES WITH CH-AIR ACTUATOR (SPRING RETURN)

CÓDIGOS VÁLVULAS DE BOLA SERIE 3-VÍAS CON ACTUADOR CH-AIR (SIMPLE EFECTO)

	PNEUMATICALLY ACTUATED VALVE VÁLVULA CON ACTUADOR NEUMÁTICO	PNEUMATICALLY ACTUATED VALVE + Solenoid valve (220VAC) + Limit switch box + relief regulators * VÁLVULA CON ACTUADOR NEUMÁTICO + Electroválvula (220VAC) + Caja final de carrera + Reguladores escape *
	Spring return ** Simple efecto **	Spring return ** Simple efecto **
PVC-U BALL VALVE 3-WAY SERIES (PTFE-EPDM) VÁLVULA DE BOLA PVC-U SERIE 3 VÍAS (PTFE-EPDM)		
DN40 - D50 (180°)	27591	27590
DN40 - D50 (90° - A)	on request	on request
DN40 - D50 (90° - B)	on request	on request

* KIT: Electric valve (220VAC), limit switch-box and relief regulators . Read technical characteristics in page 372

* KIT: Electroválvula (220 VAC), final de carrera y reguladores de escape . Ver características técnicas en página 372

** Standard configuration: Normally Closed NC, ask for Normally Open (NO) configuration.

** Por defecto Normalmente Cerrado NC, consultar para configuración Normalmente Abierto

These codes are only for the PVC-U valve with solvent socket unions, for more configuration, go to Actuated valves Code Generator (page 274)

Estos códigos son sólo para válvulas de PVC-U con uniones encoladas, para más configuraciones, ver el Generador de códigos de válvulas actuadas (Página 274)

SPARE PARTS CODES FOR CH-AIR ACTUATOR (SPRING RETURN)

CÓDIGOS DE RECAMBIOS ACTUADOR CH-AIR (SIMPLE EFECTO)

	PNEUMATIC ACTUATOR ACTUADOR NEUMÁTICO	SOLENOID VALVE Page 374 ELECTROVÁLVULA	LIMIT SWITCH BOX Page 376 FINAL DE CARRERA	RELIEF REGULATORS REGULADORES ESCAPE	ACTUATION KIT * KIT ACTUACIÓN *
	Spring return	230 VAC*			
DN40 - D50	30718 CH075 SR Mod. 180°	30737	30743	30745	30844
DN40 - D50	30714 CH075 SR	30737	30743	30745	30844

* Solenoid valve:

* Electroválvula:

12 VAC	30738
12 VDC	30739
24 VAC	30740
24 VDC	30722
110 VAC	30741
110 VDC	30742

ACTUATION KIT *

KIT DE ACTUACIÓN *

The kit includes all the necessary elements to connect the ball valve with the actuator and it is ready for all the brands of actuators following the ISO 5211 regulation.

Components: coupling bush, bolts, mounting clamp.

El kit incluye todos los elementos necesarios para conectar la válvula de bola con el actuador y es compatible con todas las marcas de actuadores que siguen la norma ISO 5211.

Componentes: pieza de conexión, tornillería, brida separadora.

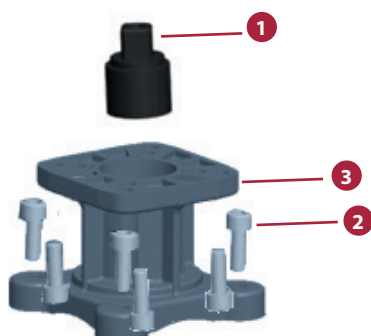


FIG.	Parts	Despiece	Material
1	Coupling bush	Casquillo unión	Aluminium
2	Screws DIN-912	Tornillos DIN-912	SS AISI-304
3	Mounting clamp	Soporte actuación	PVC-U

See the instructions manual to know the specific characteristics of each actuator.

Consultar manual de instrucciones válvulas actuadas para ver las características específicas de cada actuador.

ACCESSORIES FOR ELECTRIC ACTUATORS ACCESORIOS PARA ACTUADORES ELÉCTRICOS



SAFETY BLOCK

SPECIFICATIONS

The Safety Block is an automatism which, when connected to the J3 series electrical actuators, allows the valve to be positioned in a preferential position that is normally closed or normally open (N.C. or N.O.) in the event of a cut in the power supply.

BLOQUE DE SEGURIDAD

ESPECIFICACIONES

El Bloque de Seguridad es un automatismo que, acoplado a los actuadores eléctricos de la serie J3, permite situar la válvula en una posición preferente normalmente cerrada o normalmente abierta (N.C. o N.A.) en caso de que se produzca un corte en el suministro de corriente.

CODE CÓDIGO		on request	on request
Model Modelo		J2 L010 / J2 H010 J4 S020 J4 S055 J4 S085	J4 S140 J4 S300
Max. nº of operations per hour Nº de maniobras máx. por hora		7	5
Recharge time per operation Tiempo de recarga por maniobra	min	50	65
Battery consumption for operation Consumo de batería por maniobra	W	0,18	0,23
Full charge time Tiempo de carga completo	100%	36 h	
Nominal capacity Capacidad nominal	mA	800 +/- 5%	



ACCESSORIES FOR ELECTRIC ACTUATORS

ACCESORIOS PARA ACTUADORES ELÉCTRICOS



DPS 2005 DIGITAL POSITIONING SYSTEM

The DPS 2005 is an accessory for J+J electric actuators that converts them into servocontrolled valve positioners. It features a microprocessor with analog entrance and exits which carries out all calibration and working operations via an micro-computing .

Incoming positioning information is transformed into a digital number that is continuously compared to the position of a potentiometer mechanically linked to the valve shaft. The programming contained in the microchip carries out the necessary calculations in order to determine in what direction the motor should turn in order to ensure that the position of the potentiometer and therefore the valve correspond to that required by the entry signal.

Once the value of the signal corresponds to the position, the motor is stopped as long as the entrance signal value does not change.

USAGE EXAMPLES:

- Remote control of valve via a PC.
- Dosification based on information from temperature sensor.

DPS 2005 SISTEMA POSICIONADOR DIGITAL

El DPS 2000 es un accesorio para los actuadores eléctricos J+J que convierte a los mismos en posicionadores de válvulas servocontrolados.

El DPS 2005 es un módulo con microprocesador de entrada y salidas analógicas, pero que lleva a cabo todas las operaciones de calibración y funcionamiento mediante un algoritmo microinformático.

La entrada de consigna de posición es convertida a un valor numérico digital y comparada continuamente con la posición de un potenciómetro acoplado mecánicamente al eje de la válvula. El programa contenido en el microchip efectúa los cálculos necesarios para determinar el sentido en el cual deberá girar el motor para que la posición del potenciómetro y por tanto, de la válvula, corresponda a la requerida por la señal de consigna. Una vez el valor de la señal corresponde con la posición, el motor se mantiene parado entretanto no vuelva a variar el valor de la señal de entrada.

EJEMPLOS DE APLICACIONES:

- Control remoto de la válvula mediante un PC.
- Dosificación en base a sensor de temperatura.

CODE CÓDIGO	on request	on request
Model Modelo	J2 L010 / J2 H010 J4 S020 J4 S055 J4 S085	J4 S140 J4 S300
Entrance signal Señal de entrada	4 - 20 mA or 0 - 10 V	4 - 20 mA or 0 - 10 V
Exit signal Señal de salida	4 - 20 mA or 0 - 10 V	4 - 20 mA or 0 - 10 V
Accuracy Precisión	Better than 1%	Better than 1%
Adjustments Ajustes	Max. - min.	Max. - min.
Lineality Linealidad	Better than 1%	Better than 1%
Hysteresis Histéresis	Better than 1%	Better than 1%
Minimal resolution Resolución mínima	Better than 1%	Better than 1%



PILOT NAMUR VDE/VDI 3845 SOLENOID VALVE 3/2 - 5/2 WAYS

PILOT NAMUR VDE/VDI 3845 SOLENOID VALVE 3/2 - 5/2 WAYS

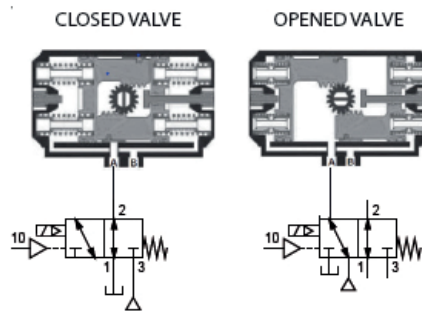
DESCRIPTION

Solenoid valve for the working of pneumatically actuated valves.

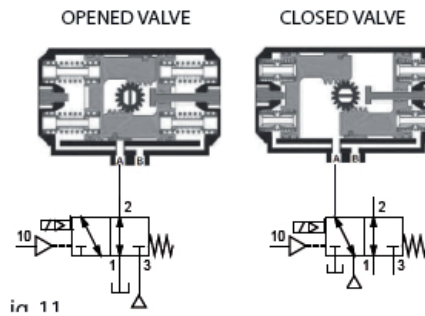
- All the models are compatible with any actuator
- Multi voltaje with DIN conector
- Configuration 3/2 – 5/2 for the working of spring effect or double acting actuators.

Working diagrams:

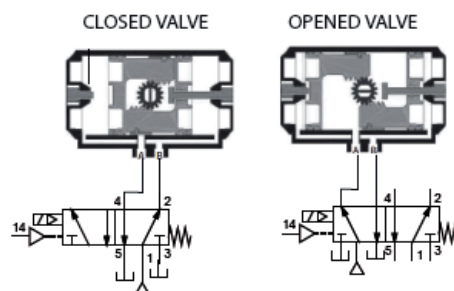
Solenoid valve 3/2 spring return Valve Normally Closed



Solenoid valve 3/2 spring return Valve Normally Open



Solenoid valve 5/2 double acting



DESCRIPCIÓN

Electroválvula para el pilotaje de válvulas actuadas neumáticamente.

- Todos los modelos compatibles con cualquier actuador
- Multi voltaje con conector DIN
- Función 3/2 – 5/2 para el pilotaje de actuadores de simple o doble efecto.

Esquemas de funcionamiento:

Electroválvula 3/2 simple efecto VÁLVULA Normalmente CERRADA

Electroválvula 3/2 simple efecto VÁLVULA Normalmente ABIERTA

Electroválvula 5/2 doble efecto

ACCESSORIES FOR PNEUMATIC ACTUATORS

ACCESORIOS PARA ACTUADORES NEUMÁTICOS



SERIES NAMUR TYPE SOLENOID VALVE

A solenoid valve is an electromechanically operated valve. The valve is controlled by an electric current through a solenoid: in the case of a two-port valve the flow is switched on or off; in the case of a three-port valve, the outflow is switched between the two outlet ports. Multiple solenoid valves can be placed together on a manifold.

Solenoid valves are the most frequently used control elements in fluidics. Their tasks are to shut off, release, dose, distribute or mix fluids. They are found in many application areas. Solenoids offer fast and safe switching, high reliability, long service life, good medium compatibility of the materials used, low control power and compact design.

Besides the plunger-type actuator which is used most frequently, pivoted-armature actuators and rocker actuators are also used.

SERIES NAMUR TYPE SOLENOID VALVE

Una electroválvula es una válvula electromecánica, diseñada para controlar el paso de un fluido por un conducto o tubería. La válvula se mueve mediante una bobina solenoide. Generalmente no tiene más que dos posiciones: abierto y cerrado, o todo y nada. Las electroválvulas se usan en multitud de aplicaciones para controlar el flujo de todo tipo de fluidos.

No se debe confundir la electroválvula con válvulas motorizadas, en las que un motor acciona el mecanismo de la válvula, y permiten otras posiciones intermedias entre todo y nada.

Type	JJ08310-08				
Material	Body: Anodized aluminium			Seals: NBR	
Coil Voltage	DC12V	DC24V	AC24V	DC110V	AC110V
Acting type	Internally pilot-actuated				
Position number	5 - Position 2- Way or Conversion plate 3 - Position 2- Way				
Port size (G)	1/4"				
Available connector	With Led			-	
Fluid	Air				
Flow	700 L/Min				
Lubrication	Lubricated or not				
Operating Pressure (Mpa)	0.15 ~ 0.8				
Temperature range	5 ~ 60 °C				
Voltage range	±10%				
Power consumption	AC: 4.5VA DC: 3W				



ATTENTION!

It is required an special accessory for solenoid valve coupling in spring return pneumatic actuator CH32 (CODE 69425).

* Corresponding to the actuated ball valves from D16 to D32.

ATENCIÓN!

Para acoplamiento de válvula solenoide en actuador neumático de simple efecto CH32, es necesario un acoplamiento especial (CÓDIGO 69425).

* Correspondiente a válvulas de bola actuadas de D16 a D32.

ACCESSORIES FOR PNEUMATIC ACTUATORS

ACCESORIOS PARA ACTUADORES NEUMÁTICOS



SERIES NAMUR TYPE SOLENOID VALVE

A solenoid valve is an electromechanically operated valve. The valve is controlled by an electric current through a solenoid: in the case of a two-port valve the flow is switched on or off; in the case of a three-port valve, the outflow is switched between the two outlet ports. Multiple solenoid valves can be placed together on a manifold.

Solenoid valves are the most frequently used control elements in fluidics. Their tasks are to shut off, release, dose, distribute or mix fluids. They are found in many application areas. Solenoids offer fast and safe switching, high reliability, long service life, good medium compatibility of the materials used, low control power and compact design.

Besides the plunger-type actuator which is used most frequently, pivoted-armature actuators and rocker actuators are also used.

SERIES NAMUR TYPE SOLENOID VALVE

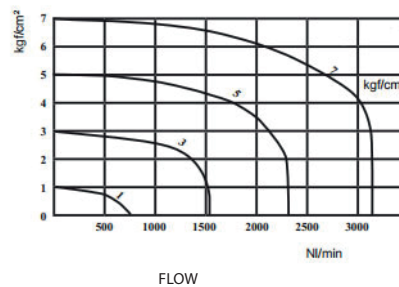
Una electroválvula es una válvula electromecánica, diseñada para controlar el paso de un fluido por un conducto o tubería. La válvula se mueve mediante una bobina solenoide. Generalmente no tiene más que dos posiciones: abierto y cerrado, o todo y nada. Las electroválvulas se usan en multitud de aplicaciones para controlar el flujo de todo tipo de fluidos.

No se debe confundir la electroválvula con válvulas motorizadas, en las que un motor acciona el mecanismo de la válvula, y permiten otras posiciones intermedias entre todo y nada.

Material	Body: Aluminium coated with trivalent chromium			Seals: NBR		
Coil Voltage / Voltaje	12 V DC	24 V AC	24 V DC	110V AC	110V DC	220V AC
Frequency / Frecuencia	0	50 Hz	0	50 Hz	0	50 Hz
Consumption / Consumo	2,4 W	6,0 VA	2,6 W	6,0 VA	3,5 W	6,0 VA
Protection / Protección	IP 65					
Pressure / Presión	min. 2bar - max. 8bar					
Function / Función	5/2 ways - 3/2 ways					
Air connection / Conexión aire	G 1/4"					
Ambient temperature / Temperatura ambiente	+5°C +50°C					
Nominal flow / Caudal nominal	1730 NI/min					
Weight / Peso	0,3 kg.					



SECONDARY PRESSURE



PRIMARY PRESSURE

ATTENTION!

It is required an special accessory for solenoid valve coupling in spring return pneumatic actuator CH32 (CODE 69425).

* Corresponding to the actuated ball valves from D16 to D32.

ATENCIÓN!

Para acoplamiento de válvula solenoide en actuador neumático de simple efecto CH32, es necesario un acoplamiento especial (CÓDIGO 69425).

* Correspondiente a válvulas de bola actuadas de D16 a D32.

ACCESSORIES FOR PNEUMATIC ACTUATORS

ACCESORIOS PARA ACTUADORES NEUMÁTICOS



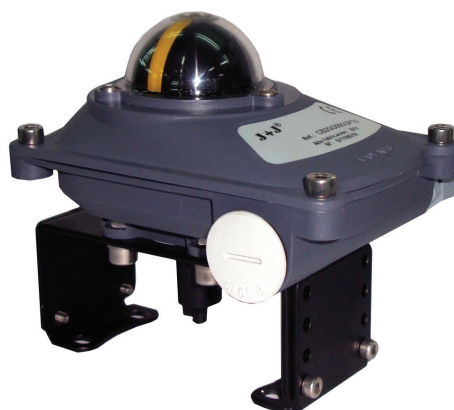
LIMIT SWITCH BOX

This accessory is applied on the pneumatic actuator allowing us to see at a certain distance (through indicator lights or through color visual gestion) if the working of the valve / actuator is correct. It is also used as a command for other valves through pilotage signals.

CAJA FINAL DE CARRERA

Este accesorio complementario es aplicado sobre el actuador permitiéndonos ver a distancia (a través de luces "piloto" indicadoras o mediante gestión visual por colores) si el funcionamiento del actuador / válvula es el requerido. Sirve igualmente para ser utilizado como comando de otras válvulas mediante señales de pilotaje.

Limit switch box <i>Caja final de carrera</i>	Materials <i>Materiales</i>	Options under request <i>Opciones bajo pedido</i>
Carter Body	Polypropilene + 15% Glass filled Grey <i>Polipropileno + 15% fibra de vidrio</i> Gris	
Lid <i>Tapa</i>	ABS transparent <i>ABS transparente</i>	Polyprop. + 15% Glass filled Grey, Blue, Orange <i>Poliprop.+15% F. vidrio Gris, Azul,</i> <i>Naranja</i>
Shaft <i>Eje</i>	Polypropilene + 15% Glass filled <i>Polipropileno + 15% fibra de vidrio</i>	Stainless Steel <i>Acero inoxidable</i>
Detectors <i>Detectores</i>	2 SPDT mechanical switch 5A/125 VAC 3A/250 VAC <i>2 micro mecánico SPDT 5A/125 VAC</i> <i>3A/250 VAC</i>	Inductive sensors NPN or PNP <i>Detectores inductivos NPN o PNP</i>
IP Rating <i>Protección</i>	DIN 40 050 IP67	
Cable entries <i>Entrada cables</i>	2 threaded M-16 or M-20 or ½" NPT <i>2 roscadas M-16 o M-20 o ½" NPT</i>	
Temperature <i>Temperatura</i>	-20°C + 80°C	
Box dimensions <i>Dimensiones de la caja</i>	22x89x72 mm	
Bracket <i>Soporte</i>	Steel + Epoxy coated Universal Namur or minibracket 50x25x45 mm <i>Acero + Epoxy</i> <i>Universal Namur o minisoporte</i> <i>50x25x45 mm</i>	Stainless Steel Universal Namur or minibracket 50x25x45 mm <i>Acero inox</i> <i>Universal Namur o minisoporte</i> <i>50x25x45 mm</i>



ACCESSORIES FOR PNEUMATIC ACTUATORS ACCESORIOS PARA ACTUADORES NEUMÁTICOS



LIMIT SWITCH BOX

This accessory is applied on the pneumatic actuator allowing us to see at a certain distance (through indicator lights or through color visual gestion) if the working of the valve / actuator is correct. It is also used as a command for other valves through pilotage signals.

SPECIFICATIONS:

- Temperature : -20°C + 80°C
- Limit switches : Electromechanics SPDT

CAJA FINAL DE CARRERA

Este accesorio complementario es aplicado sobre el actuador permitiéndonos ver a distancia (a través de luces "piloto" indicadoras o mediante gestión visual por colores) si el funcionamiento del actuador / válvula es el requerido. Sirve igualmente para ser utilizado como comando de otras válvulas mediante señales de pilotaje.

ESPECIFICACIONES:

- Temperatura : -20°C + 80°C
- Finales de carrera : Electromecánicos SPDT

Limit switch box <i>Caja final de carrera</i>	Materials <i>Materiales</i>
Box <i>Caja</i>	Aluminium polyester coated <i>Aluminio recubierto con ployester</i>
Shaft <i>Eje</i>	Stainless steel <i>Acero inoxidable</i>
Indicator cover <i>Cubierta del indicador</i>	Polycarbonate <i>Policarbonato</i>
Bolting <i>Tornillería</i>	Stainless steel <i>Acero inoxidable</i>
Air tight tap <i>Tapón</i>	1 unit polyamide <i>1 unidad poliamida</i>
Packing gland <i>Prensaestopas</i>	IP-67 M20 6-12mm cable diameter <i>IP-67 M20 diámetro cable 6-12mm</i>



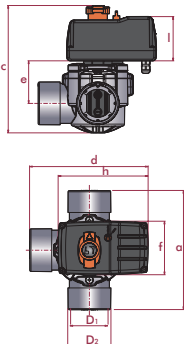
UP. 90. 3V. ME - ACTUATED ROTARY DISC VALVE

3-way rotary disc valve

- PVC-U body
- Electric actuation (230 VAC / 24 VAC)
- Female/male solvent socket
- Metric series
- O-Rings in EPDM

Válvula de compuerta rotatoria de 3 vías

- Cuerpo en PVC-U
- Actuador eléctrico (230 VAC / 24 VAC)
- Encolar hembra/macho
- Serie métrica
- Juntas en EPDM



180° | 230 VAC

D ₁ - D ₂	PN	REF.	CODE
50 - 63	6	05 90 730 MET	41863
63 - 75	6	05 90 740 MET	59959

a	c	d	e	f	h	l
159	221	183	69	94	159	78
210	225	209	75	94	159	78

180° | 24 VAC

D ₁ - D ₂	PN	REF.	CODE
50 - 63	6	05 90 730 MET24A	45866
63 - 75	6	05 90 740 MET24A	59960

a	c	d	e	f	h	l
159	221	183	69	94	159	78
210	225	209	75	94	159	78

90° | 230 VAC

D ₁ - D ₂	PN	REF.	CODE
50 - 63	6	05 90 730 ME	59955
63 - 75	6	05 90 740 ME	41864

a	c	d	e	f	h	l
159	221	183	69	94	159	78
210	225	209	75	94	159	78

90° | 24 VAC

D ₁ - D ₂	PN	REF.	CODE
50 - 63	6	05 90 730 ME24A	59956
63 - 75	6	05 90 740 ME24A	43730

a	c	d	e	f	h	l
159	221	183	69	94	159	78
210	225	209	75	94	159	78

TECHNICAL CHARACTERISTICS

- Output Nominal Torque = 4,25 N·m
- Output speed = 0,6 min⁻¹
- Power = 5 W.
- 90° turning time laps = 26 s (180° - 52 s).
- Protection degree: IP65
- Temperature range: 0 - 45 °C.
- Weight: 1,2 kg
- Connection ISO 5211 ø50 F05.

Automatic operation

The actuator causes the automatic turn of 90 or 180 degrees of the output axis, depending on the position of the two internal cams. In addition, it is possible to place the cams so that the stop position is 15 or 30 degrees before or after the position of closed or opened valve. In order to change the position of the cams, disassemble handle and cover to access to the cams and then rise and place them in the new position, matching the grooves of the cams with the positioner of the main axis. It is recommended that the configuration is to be done by the manufacturer.

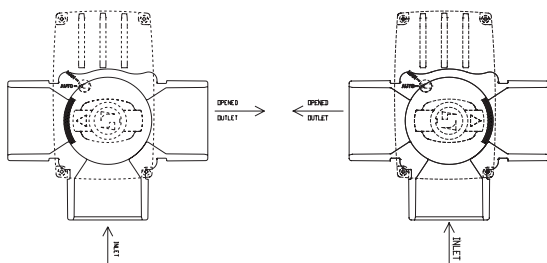
CARACTERÍSTICAS TÉCNICAS

- Par nominal de salida = 4,25 N·m
- Velocidad de giro de salida = 0,6 min⁻¹
- Potencia = 5 W.
- Tiempo de giro de 90° = 26 s (180° - 52 s).
- Grado de protección: IP65
- Rango de temperatura: 0 - 45 °C.
- Peso: 1,2 kg
- Fijación según ISO 5211 ø50 F05

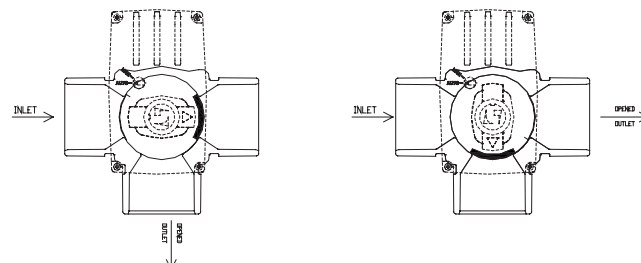
Funcionamiento

El automatismo provoca el giro automático del eje de salida del actuador en 90° o de 180°, dependiendo de la posición de las dos levas internas. Además, las levas se pueden posicionar de forma que la posición de paro sea 15 ó 30° anterior o posterior a la posición de válvula cerrada o abierta. Para cambiar la posición de las levas, es necesario desmontar la maneta y la tapa para poder acceder a las dos levas. Éstas pueden levantarse y colocarlas en la nueva posición, haciendo coincidir las ranuras de las levas con el resalte del eje principal. Es recomendable que la configuración de las levas se realice por parte del fabricante.

180°

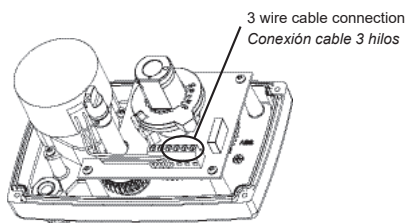


90°



ELECTRIC CONNECTION DIAGRAMM

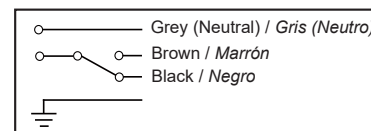
The valve is supplied with a 4 wire x 1 mm² cable of 1 m. You must connect it following the drawing printed in the actuator cover. Respect the neutral connection.



ESQUEMA DE CONEXIÓN ELÉCTRICA

La válvula se suministra con un cable de 4 hilos x 1 mm² de 1 m de longitud. Conectar según el esquema impreso en la cubierta del actuador. Respetar la conexión del neutro.

External connection
Conexión externa



BRITISH STANDARD SERIES

BALL VALVES
VÁLVULAS DE BOLA

01

PAG. 380

CHECK VALVES
VÁLVULAS ANTI-RETORNO

02

PAG. 415

BUTTERFLY VALVES
VÁLVULAS DE MARIPOSA

03

PAG. 431

ROTARY DISC VALVES
VÁLVULAS COMPUERTA ROTATORIA

04

PAG. 447

KNIFE GATE VALVES
VÁLVULAS DE GUILLOTINA

05

PAG. 452

PVC-U BALL VALVES - [STD] SERIES

VÁLVULAS DE BOLA PVC-U - SERIE [STD]



Sizes	Solvent cement D16 - D110 (DN10-DN100) Threaded 3/8" - 4"	
Standard end connections	Solvent socket - Metric, ASTM, British standard Threaded - BSP, NPT Butt welding - SDR11 Compression - Metric, IPS, CTS	EN ISO 1452, EN ISO 15493, BS 4346-1, ASTM D 2467 ISO 228-1, ASTM D 2464
Working pressure	@ 20°C (73°F) D16 - D63 (3/8" - 2"): PN 16 (240 psi) D75 - D110 (2 1/2" - 4"): PN 10 (150 psi)	
Materials	O-rings: EPDM / FPM	Ball seats: HDPE / PTFE
Characteristics	<ul style="list-style-type: none"> • Threaded seal-carrier for upstream maintenance without emptying the system. • Handle built-in tool for easy adjustment of the threaded seal-carrier (and ball torque). • "Antiblock" system that avoids ball blockage. • 100% factory tested. • Minimal pressure drop. • Low operating torque. • Resistance to many inorganic chemicals. • Excellent flow characteristics. 	<ul style="list-style-type: none"> • Portajuntas roscado para el mantenimiento de la válvula sin necesidad de vaciar el sistema. • Llave incorporada en la maneta para ajuste del portajuntas roscado (ajuste del par). • Sistema "Antiblock" que evita el bloqueo de la bola. • Probadas al 100% en fábrica. • Mínima pérdida de carga. • Bajo par de maniobra de apertura y cierre. • Resistencia a múltiples sustancias químicas inorgánicas. • Excelentes características de conducción.
Certifications / Regulations	Ball valve design regulation - EN ISO 16135	

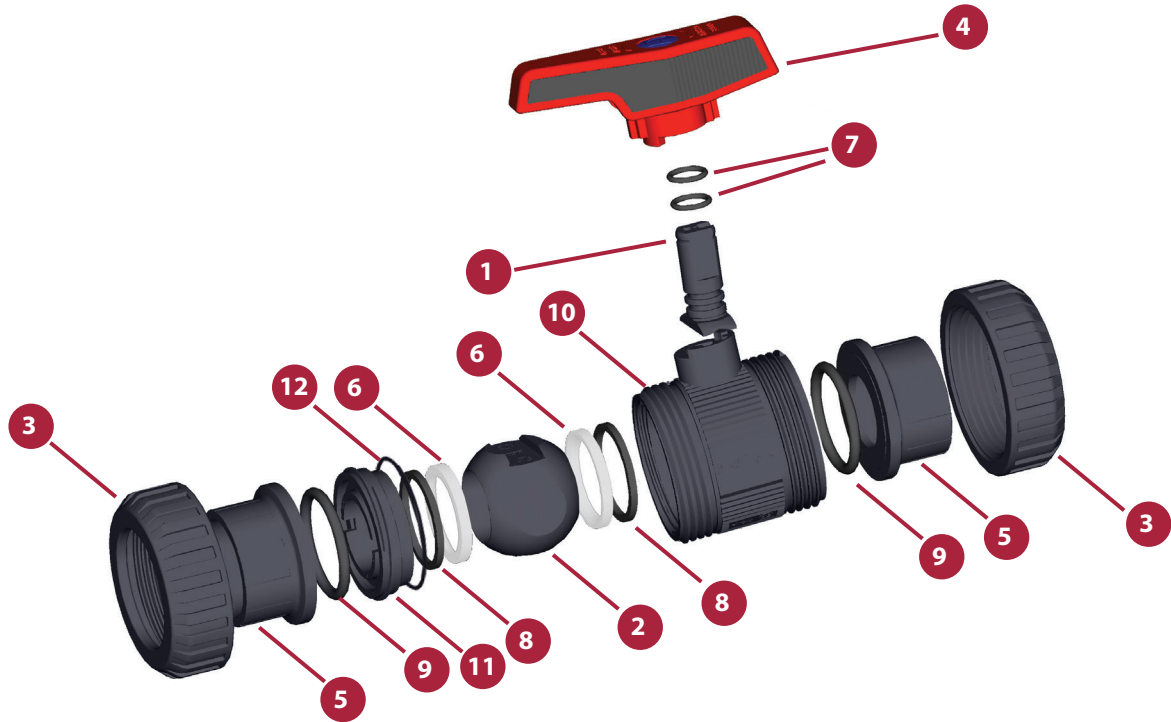
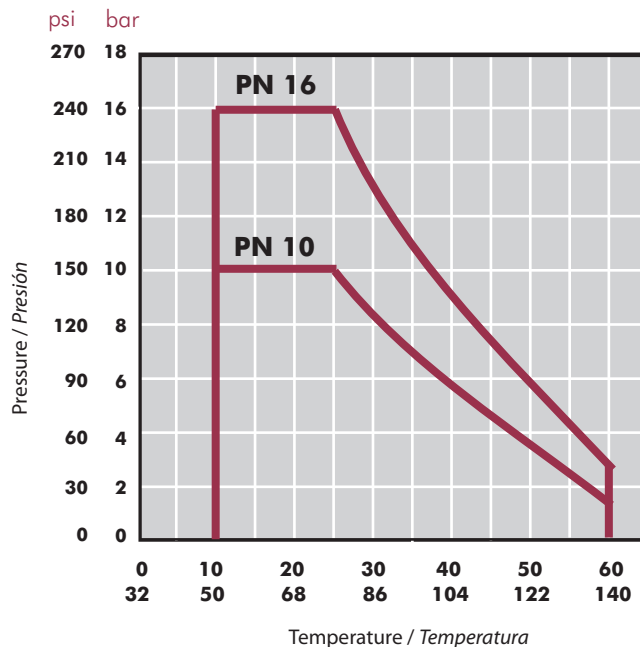


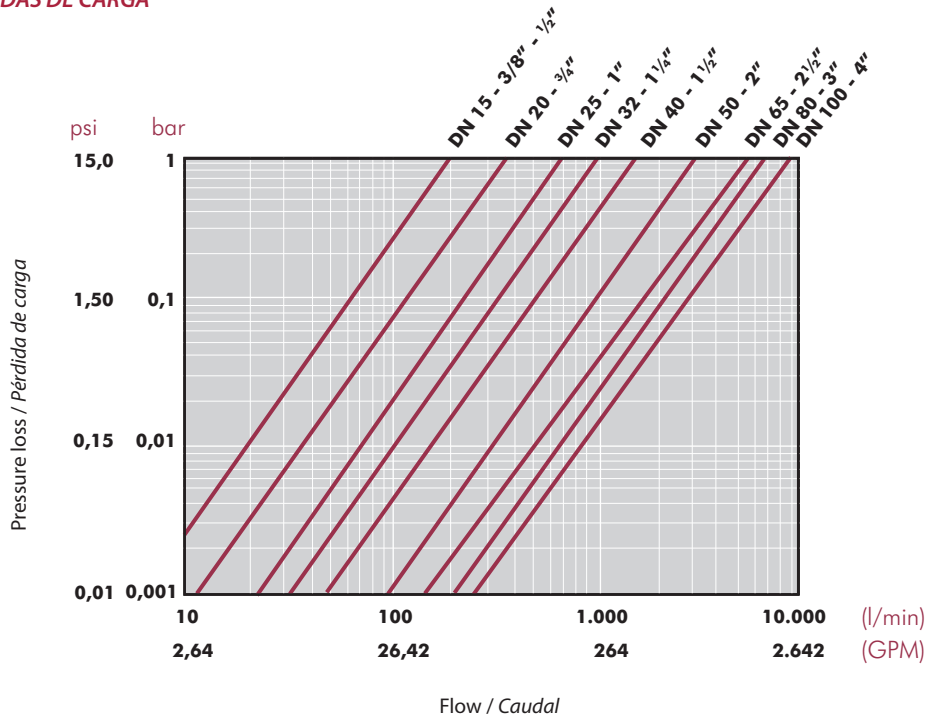
FIG.	Parts	Despiece	Material
1	Shaft	Eje	PVC-U
2	Ball	Bola	PVC-U
3	Union nut	Tuerca	PVC-U
4	Handle	Conjunto maneta	PP+GR + TPE
5	End connector	Manguito enlace	PVC-U
6	Ball seat	Asiento bola	HDPE / PTFE
7	Shaft o-ring	Junta eje	EPDM / FPM
8	Dampener seal	Junta amortiguación	EPDM / FPM
9	End connector o-ring	Junta manguito	EPDM / FPM
10	Body	Cuerpo	PVC-U
11	Seal-carrier	Portajuntas	PVC-U
12	Body o-ring	Junta cuerpo	EPDM / FPM

PRESSURE / TEMPERATURE GRAPH
DIAGRAMA PRESIÓN / TEMPERATURA



Life: 25 years
 Hydrostatic maximum pressure a component may withstand in continuous service (without overpressure)

Vida útil: 25 años
 Presión hidrostática máxima que un componente es capaz de soportar en servicio continuo (sin sobrepresión)

PRESSURE LOSS DIAGRAM
DIAGRAMA DE PÉRDIDAS DE CARGA

RELATIVE FLOW
FLUJO RELATIVO

D	16-3/8"	20-1/2"	25-3/4"	32-1"	40-1 1/4"	50-1 1/2"	63-2"	75-2 1/2"	90-3"	110-4"
DN	10	15	20	25	32	40	50	65	80	100
Kv ₁₀₀	75	190	380	690	980	1.600	3.000	5.500	6.800	8900
Cv	5,3	13,3	26,6	48,3	68,6	112	210,1	385,2	476,2	623,2

$Cv = Kv_{100} / 14,28$
 Kv_{100} (l/min, $\Delta p = 1$ bar)
 Cv (GPM, $\Delta p = 1$ psi)

TORQUE GRAPH
DIAGRAMA DE PAR

D	16-3/8"	20-1/2"	25-3/4"	32-1"	40-1 1/4"	50-1 1/2"	63-2"	75-2 1/2"	90-3"	110-4"
DN	10	15	20	25	32	40	50	65	80	100
Nm	1	1	2	3,5	3,5	5	15	25	45	60
in-lbf	8,9	8,9	17,7	31	31	44,3	132,8	221,3	398,3	531

Operating torque values at rated pressure (PN) and 20 °C in as new direct from the factory condition. Installation and operating conditions (pressure and temperature) will affect these values. The actuator that is required for an automatic operation must be calculated according to some safety factors that were determined in life tests carried out in the factory.

Los valores de par de giro se determinan a presión nominal (PN) y a 20 °C, en condiciones de salida de fábrica. Las condiciones de instalación y operación (presión y temperatura) afectarán a estos valores. El actuador requerido para automatizar el giro debe ser calculado teniendo en cuenta ciertos coeficientes de seguridad que han sido determinados en pruebas de fatiga realizadas en fábrica.

ASSEMBLY INSTRUCTIONS

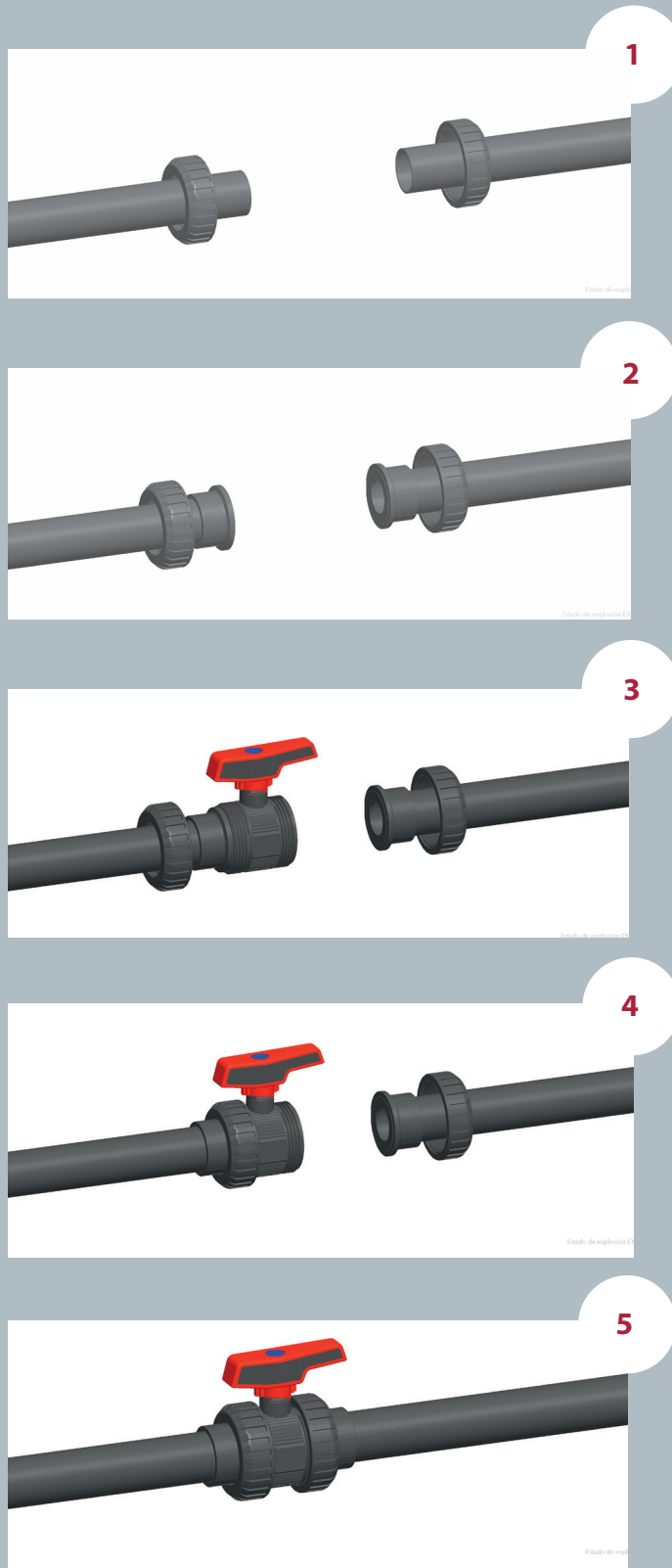
Solvent socket or threaded unions

Loosen the valve union nuts (3) and separate these and the end connectors (5) from the valve body. Pass the pipe through the nuts and then place the bushes over the end of the pipe. The socket unions should be glued onto the pipe using a PVC-U or PVC-C adhesive and pressure should not be applied to the system until a drying period of at least 1 hour per bar of working pressure has elapsed. In the case of threaded unions, PTFE tape should be applied to the male threads. The pipes can now be attached to the valve by hand tightening down the nuts.

INSTRUCCIONES DE MONTAJE

Uniones encoladas o roscadas

Afloje las tuercas (3) de la válvula y sepárelas de los manguitos (5). Introduzca las tuercas en los tubos y a continuación fije los manguitos en los extremos del tubo. Las uniones encoladas se realizarán con un adhesivo para tubos de PVC-U o PVC-C rígido y no se aplicará presión hasta transcurridas al menos 1 hora por bar. En las uniones roscadas se colocará cinta de PTFE en las roscas macho. A continuación ya podrá colocarse la válvula entre los manguitos y apretar a mano las tuercas sobre la válvula.



SEAL-CARRIER

Industrial Series - Threaded seal-carrier

Industrial Series feature a threaded seal-carrier instead of the push-fit system. The threaded seal-carrier allows for upstream maintenance without emptying the system.

A closed valve with a push-fit seal-carrier will not withstand system pressure: when the nut is disassembled, the seal-carrier gets free.

On the other side, a valve with a threaded seal-carrier will supports the system pressure thanks to the thread.

With Cepex valves, it is possible to disassemble the valve (only upstream) to carry out installation maintenance.

PORTAJUNTAS

Serie Industrial - Portajuntas roscado

La Serie Industrial, al llevar el portajuntas roscado en vez de estar insertado a presión, permite el mantenimiento aguas arriba sin necesidad de vaciar el sistema.

Con un portajuntas a presión, la presión del sistema (con la válvula cerrada) hace que éste salte al intentar desmontar la válvula.

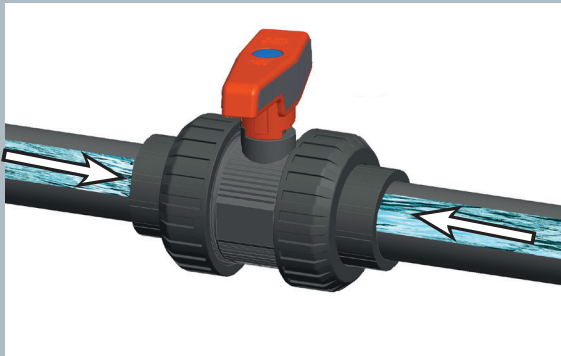
Con un portajuntas roscado, al desmontar la válvula, la rosca aguanta toda la presión del sistema sin ceder.

Ahora podemos desmontar la válvula (en su parte aguas arriba) para realizar el mantenimiento de la instalación.



Fluid comes from the pump and goes through the open valve.

El fluido sale de la bomba y pasa por la válvula abierta.



When the valve is closed, fluid exerts pressure in both directions.

Cerrando la válvula, el fluido ejerce presión en ambos lados.



With the threaded seal-carrier, we are able to isolate the pump zone for maintenance. The thread is supporting the pressure of the system.

Con el portajuntas roscado, podemos aislar la zona de la bomba para su mantenimiento. La rosca aguanta la presión del sistema.

ADJUSTMENT AND MAINTENANCE OF THE VALVES

Provided that there is no pressure in the circuit, with the valve closed maintenance can be carried out on any component in the valve line.

The following steps can be carried out while maintaining system pressure.

The valve is factory adjusted to ensure correct operation over long periods of time. Nevertheless, it is possible to readjust the clamping force on the ball if it is required. This operation is carried out by using the handle (4) which is attached to the bottom of the valve.

To carry out this operation it is first necessary to disassemble the two nuts and remove the valve. Introduce the handle (4) into the slot which forms part of the seal-carrier (13) and turn the adjusting tool either (a) clockwise to loosen the seal or (b) anticlockwise to tighten the seal.

When the time comes to replace any part of the valve, this can be easily done. First, use the adjusting tool to turn the seal-carrier (13) clockwise until it comes free. At this stage, any of the body O-rings (6,8,9) or the ball (2) can be replaced. If it is necessary to change the shaft (1) or its O-rings (7), then the ball should be removed. Pressing down will then free the shaft. Please beware that excessively tightening the seal holder will increase the valve actining torque which in turn may cause problems with motorized actuators.

When reassembling the valve, lubricate the seals with vaseline or silicone. Never use greases or mineral oils.

REGULACIÓN Y MANTENIMIENTO DE LA VÁLVULA

Es posible realizar el mantenimiento de cualquiera de los extremos de la línea conectados a la válvula manteniendo la instalación bajo presión. Simplemente cerrando la válvula, ésta actuará como tapón en cualquiera de los dos sentidos. Las operaciones a continuación descritas se realizarán siempre sin fluido en la línea.

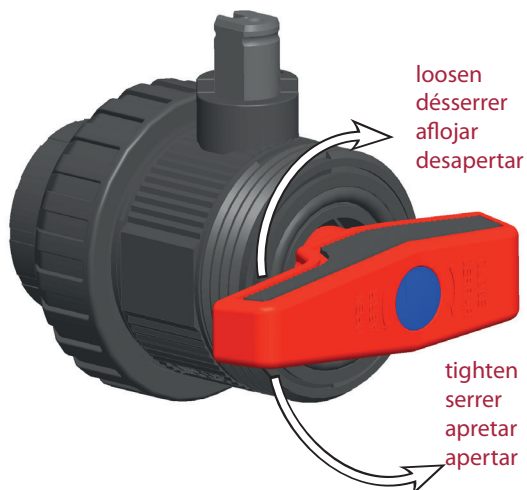
La válvula está ajustada en fábrica para un correcto y prolongado funcionamiento. No obstante, es posible reajustar la fuerza de apriete de la junta de cierre sobre la bola cuando las condiciones de uso lo requieran. Esta operación se llevará a cabo con ayuda de la maneta (4) que se adjunta en la parte inferior de la válvula.

Para ello desmonte las tuercas (3) de la válvula y extráigala de su alojamiento. Introduzca la maneta (4) en la ranura que a tal efecto tiene el portajuntas (13) y gírela en sentido antihorario para apretar la junta y horario para aflojarla.

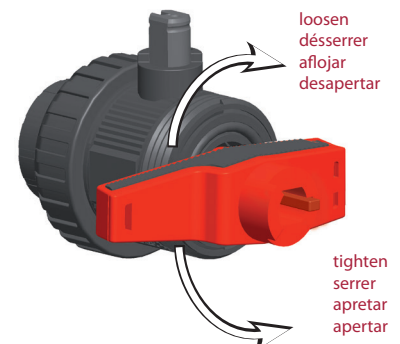
En caso se desgaste de algún componente de la válvula, podrá ser sustituido desmontando el conjunto del cuerpo de la válvula. Para ello proceda igual que con la regulación pero gire en sentido horario hasta que el portajuntas quede libre. Llegado este punto podrá sustituir cualquiera de las juntas del cuerpo (6,8,9) o la bola (2). Si fuera necesario sustituir el eje (1) o sus juntas (7) debería extraer la bola. Nótese que un apriete excesivo sobre el portajuntas puede influir en el par de accionamiento lo que puede perjudicar a los actuadores de válvulas motorizadas.

El montaje se realiza siguiendo el proceso inverso pero teniendo siempre la precaución de lubricar las juntas con vaselina neutra o silicona. No utilizar grasas o aceites minerales.

D32 (1") -
D110 (4")



D16 (3/8") -
D25 (3/4")



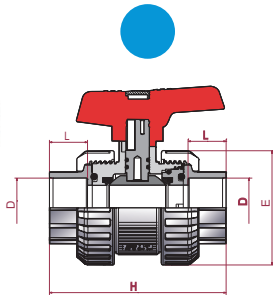
UP. **60ST**. SF5. BS - PVC-U [STD] BALL VALVES

[STD] ball valve

- PVC-U body
- Female solvent socket
- Metric series
- Ball seat in HDPE
- O-Rings in EPDM
- Blue dot

Válvula de bola [STD]

- Cuerpo en PVC-U
- Encolar hembra
- Serie British Standard
- Juntas asiento bola en HDPE
- Anillos tóricos en EPDM
- Distintivo azul



D	DN	PN	REF.	CODE
½"	15	16	60 60 901	36541
¾"	20	16	60 60 902	36542
1"	25	16	60 60 903	36543
1¼"	32	16	60 60 904	36544
1½"	40	16	60 60 905	36545
2"	50	16	60 60 906	36546
2½"	65	10	60 60 075	36507
3"	80	10	60 60 908	36548
4"	100	10	60 60 911	36549

L	H	E
16	87	50
19	101	61
22	122	70
26	135	81
31	149	96
38	174	118
44	216	146
51	256	176
63	359	228

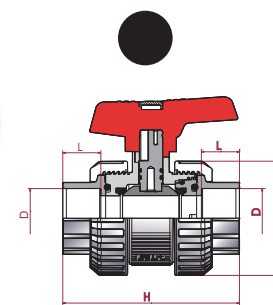
 UP. **61ST**. SF6. BS - PVC-U [STD] BALL VALVES

[STD] ball valve

- PVC-U body
- Female solvent socket
- Metric series
- Ball seat in PTFE
- O-Rings in EPDM perox.
- Black dot

Válvula de bola [STD]

- Cuerpo en PVC-U
- Encolar hembra
- Serie British Standard
- Juntas asiento bola en PTFE
- Anillos tóricos en EPDM perox.
- Distintivo negro



D	DN	PN	REF.	CODE
½"	15	16	60 61 901	37243
¾"	20	16	60 61 902	37244
1"	25	16	60 61 903	37245
1¼"	32	16	60 61 904	37246
1½"	40	16	60 61 905	37247
2"	50	16	60 61 906	37248
2½"	65	10	60 61 075	37045

L	H	E
16	87	50
19	101	61
22	122	70
26	135	81
31	149	96
38	174	118
44	216	146

PVC-C valves on order
 Válvulas en PVC-C bajo pedido

PVC-U BALL VALVES - STANDARD SERIES

VÁLVULAS DE BOLA PVC-U - SERIE STANDARD



Sizes	Solvent cement D16 - D110 (DN10-DN100) Threaded 3/8" - 4"	
Standards	Solvent socket - Metric, British Standard, ASTM, JIS Threaded - BSP, NPT Compression - metric, IPS, CTS	EN ISO 1452, EN ISO 15493, BS 4346-1, ASTM D 2467, JIS K 6743 ISO 228-1, ASTM D 2464
Working pressure	@ 20°C (73°F) D16 - D63 (3/8" - 2"): PN 16 (240 psi) D75 - D110 (2 1/2" - 4"): PN 10 (150 psi)	
Materials	O-rings: EPDM / FPM	Ball seats: HDPE / PTFE
Characteristics	<ul style="list-style-type: none"> • "Antiblock" system that avoids ball blockage. • 100% factory tested. • Minimal pressure drop. • Low operating torque. • Resistance to many inorganic chemicals. • Excellent flow characteristics. 	<ul style="list-style-type: none"> • Sistema "Antiblock" que evita el bloqueo de la bola. • Probadas al 100% en fábrica. • Mínima pérdida de carga. • Bajo par de maniobra de apertura y cierre. • Resistencia a múltiples sustancias químicas inorgánicas. • Excelentes características de conducción.
Certifications / regulations	Ball valve design regulation - EN ISO 16135 NSF National Sanitation Foundation (USA) NSF 61 3/8" thru 4" Socketed 3/8" thru 4" Threaded ASTM F1970	

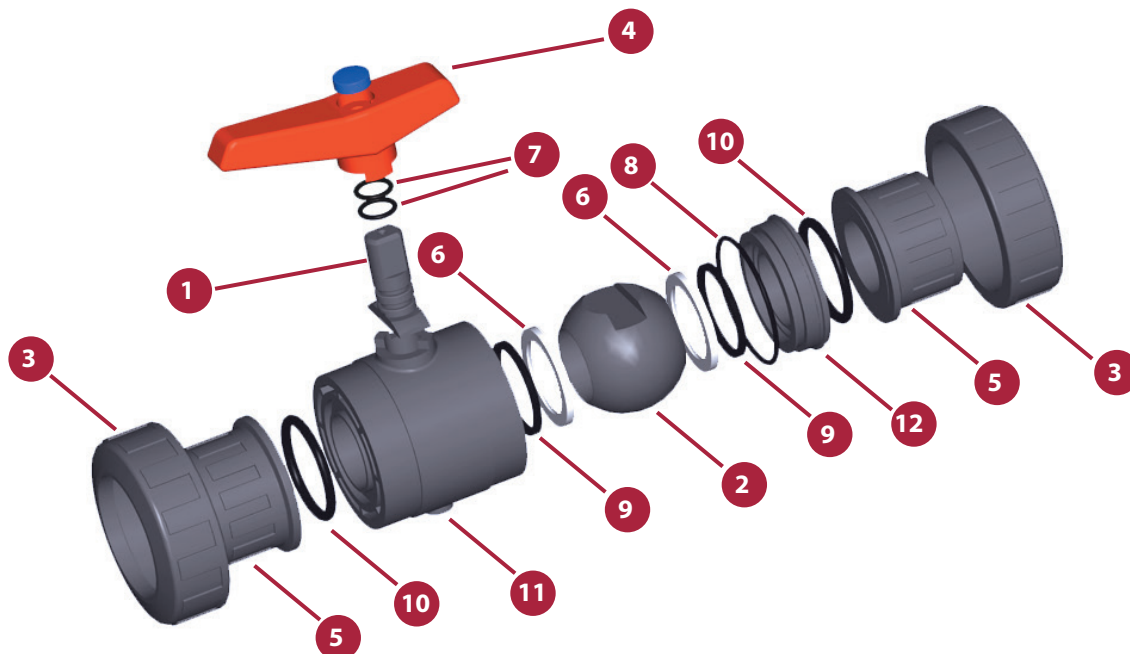
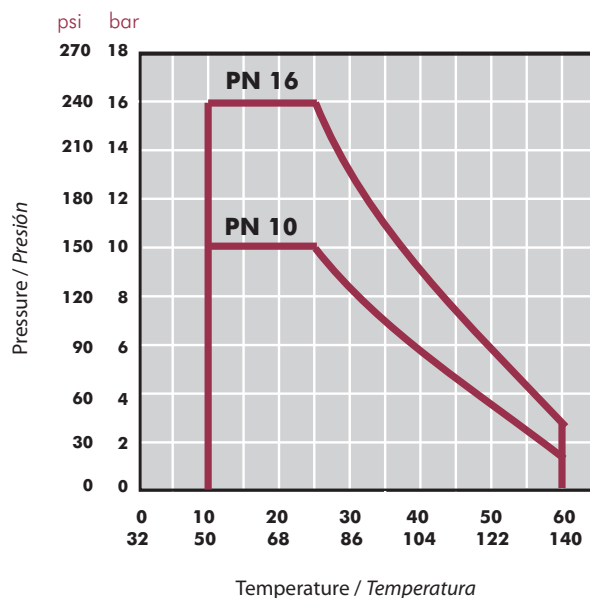


FIG.	Parts	Despiece	Material
1	Shaft	Eje	PVC-U
2	Ball	Bola	PVC-U
3	Union nut	Tuerca	PVC-U
4	Handle	Conjunto maneta	PP
5	End connector	Manguito enlace	PVC-U
6	Ball seat	Asiento bola	HDPE / PTFE
7	Shaft o-ring	Junta eje	EPDM / FPM
8	Body o-ring	Junta cuerpo	EPDM / FPM
9	Dampener seal	Junta amortiguación	EPDM / FPM
10	End connector o-ring	Junta manguito	EPDM / FPM
11	Body	Cuerpo	PVC-U
12	Seal-carrier	Portajuntas	PVC-U

PRESSURE / TEMPERATURE GRAPH
DIAGRAMA PRESIÓN / TEMPERATURA

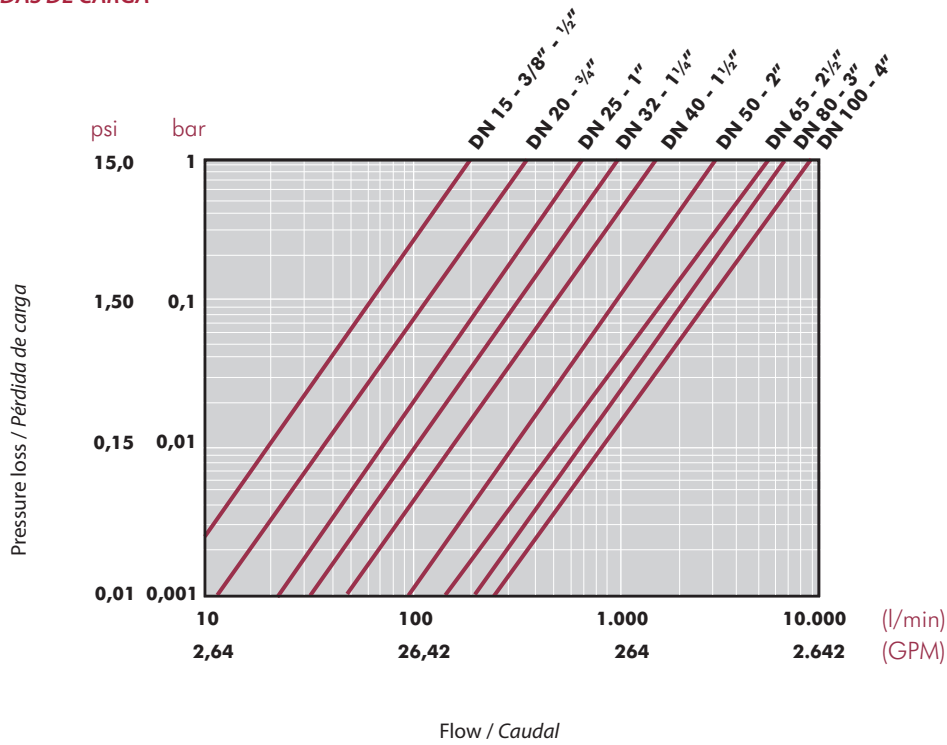


Life: 25 years
 Hydrostatic maximum pressure a component may withstand in continuous service (without overpressure)

Vida útil: 25 años
 Presión hidrostática máxima que un componente es capaz de soportar en servicio continuo (sin sobrepresión)

PRESSURE LOSS DIAGRAM

DIAGRAMA DE PÉRDIDAS DE CARGA



RELATIVE FLOW

FLUJO RELATIVO

D	16-3/8"	20-1/2"	25-3/4"	32-1"	40-1 1/4"	50-1 1/2"	63-2"	75-2 1/2"	90-3"	110-4"
DN	10	15	20	25	32	40	50	65	80	100
Kv ₁₀₀	75	190	380	690	980	1.600	3.000	5.500	6.800	8900
Cv	5,3	13,3	26,6	48,3	68,6	112	210,1	385,2	476,2	623,2

$Cv = Kv_{100} / 14,28$
 Kv_{100} (l/min, Δp = 1 bar)
 Cv (GPM, Δp = 1 psi)



TORQUE GRAPH

DIAGRAMA DE PAR

D	16-3/8"	20-1/2"	25-3/4"	32-1"	40-1 1/4"	50-1 1/2"	63-2"	75-2 1/2"	90-3"	110-4"
DN	10	15	20	25	32	40	50	65	80	100
Nm	1	1	2	3,5	3,5	5	15	25	45	60
in-lbf	8,9	8,9	17,7	31	31	44,3	132,8	221,3	398,3	531

Operating torque values at rated pressure (PN) and 20 °C in as new direct from the factory condition. Installation and operating conditions (pressure and temperature) will affect these values. The actuator that is required for an automatic operation must be calculated according to some safety factors that were determined in life tests carried out in the factory.

Los valores de par de giro se determinan a presión nominal (PN) y a 20 °C, en condiciones de salida de fábrica. Las condiciones de instalación y operación (presión y temperatura) afectarán a estos valores. El actuador requerido para automatizar el giro debe ser calculado teniendo en cuenta ciertos coeficientes de seguridad que han sido determinados en pruebas de fatiga realizadas en fábrica.

ASSEMBLY INSTRUCTIONS

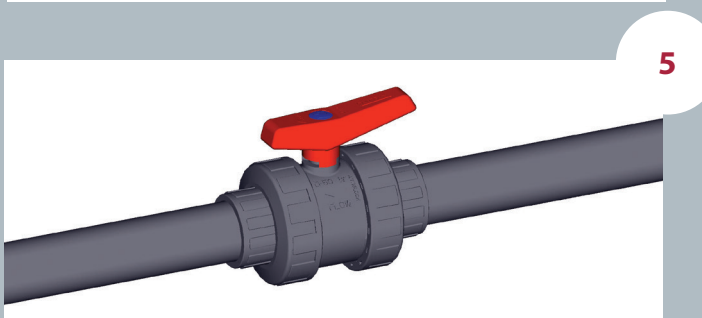
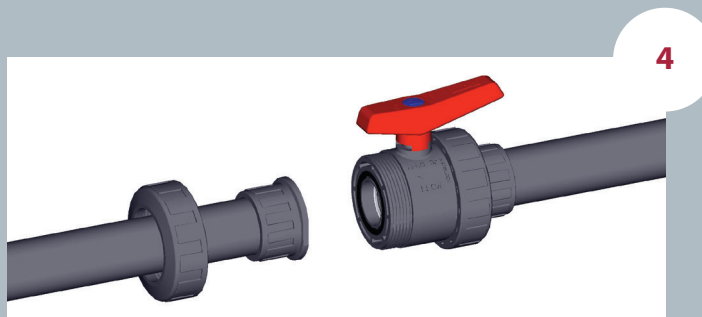
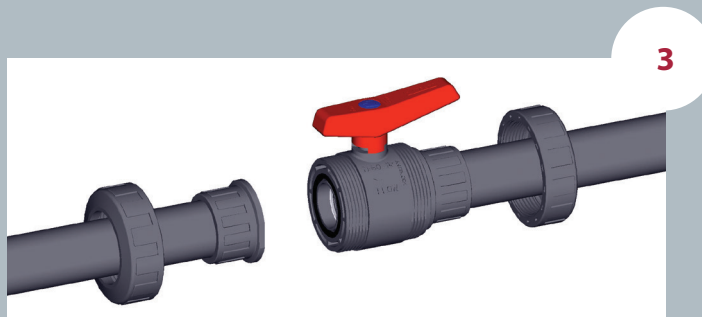
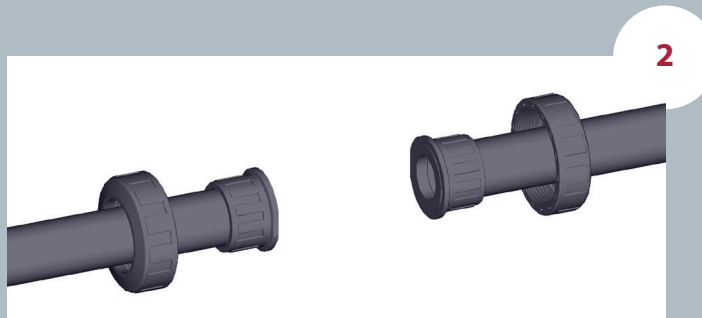
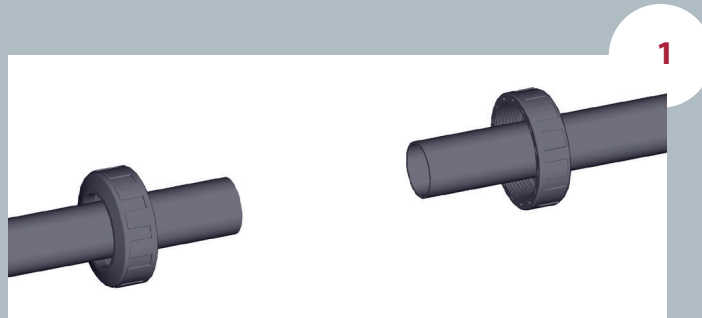
Solvent socket or threaded unions

Loosen the valve union nuts (3) and separate these and the end connectors (5) from the valve body. Pass the pipe through the nuts and then place the bushes over the end of the pipe. The socket unions should be glued onto the pipe using a PVC-U or PVC-C adhesive and pressure should not be applied to the system until a drying period of at least 1 hour per bar of working pressure has elapsed. In the case of threaded unions, PTFE tape should be applied to the male threads. The pipes can now be attached to the valve by hand tightening down the nuts.

INSTRUCCIONES DE MONTAJE

Uniones encoladas o roscadas

Afloje las tuercas (3) de la válvula y sepárelas de los manguitos (5). Introduzca las tuercas en los tubos y a continuación fije los manguitos en los extremos del tubo. Las uniones encoladas se realizarán con un adhesivo para tubos de PVC-U o PVC-C rígido y no se aplicará presión hasta transcurridas al menos 1 hora por bar. En las uniones roscadas se colocará cinta de PTFE en las roscas macho. A continuación ya podrá colocarse la válvula entre los manguitos y apretar a mano las tuercas sobre la válvula.



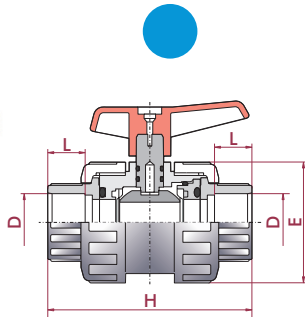
UP. 60. SF5. BS - PVC-U STANDARD BALL VALVE

"Standard" ball valve

- PVC-U body
- Female solvent socket
- British Standard series
- Ball seat in HDPE
- O-Rings in EPDM
- Blue dot

Válvula de bola "Standard"

- Cuerpo en PVC-U
- Encolar hembra
- Serie British Standard
- Juntas asiento bola en HDPE
- Anillos tóricos en EPDM
- Distintivo azul



D	DN	PN	REF.	CODE
3/8"	10	16	05 60 900	07265
1/2"	15	16	05 60 901	07266
3/4"	20	16	05 60 902	07267
1"	25	16	05 60 903	07268
1 1/4"	32	16	05 60 904	07269
1 1/2"	40	16	05 60 905	07270
2"	50	16	05 60 906	07271
2 1/2"	65	10	05 60 075 ^M	02459
3"	80	10	05 60 908	07273
4" (DN 80)	80	10	05 60 910	07274
4"	100	10	05 60 911	27251

L	H	E
16	84	52
16	84	52
19	108	62
22	124	70
26	142	84
31	167	104
38	198	120
44	232	148
51	269	179
61	275	179
63	359	228

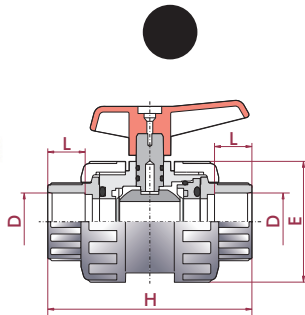
UP. 61. SF6. BS - PVC-U STANDARD BALL VALVE

"Standard" ball valve

- PVC-U body
- Female solvent socket
- British Standard series
- Ball seat in PTFE
- O-Rings in EPDM
- Black dot

Válvula de bola "Standard"

- Cuerpo en PVC-U
- Encolar hembra
- Serie British Standard
- Juntas asiento bola en PTFE
- Anillos tóricos en EPDM
- Distintivo negro



D	DN	PN	REF.	CODE
3/8"	10	16	05 61 900	07275
1/2"	15	16	05 61 901	07276
3/4"	20	16	05 61 902	07277
1"	25	16	05 61 903	07278
1 1/4"	32	16	05 61 904	07279
1 1/2"	40	16	05 61 905	07280
2"	50	16	05 61 906	07281
2 1/2"	65	10	05 61 075 ^M	02476
3"	80	10	05 61 908	07283
4" (DN 80)	80	10	05 61 910	07284
4"	100	10	05 61 911	27252

L	H	E
16	84	52
16	84	52
19	108	62
22	124	70
26	142	84
31	167	104
38	198	120
44	232	148
51	269	179
61	275	179
63	359	228

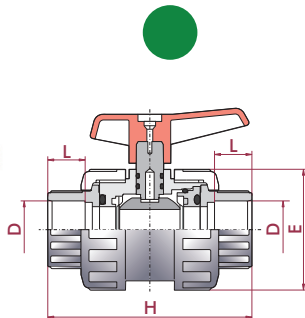
UP. 61. SF7. BS - PVC-U STANDARD BALL VALVE

"Standard" ball valve

- PVC-U body
- Female solvent socket
- British Standard series
- Ball seat in PTFE
- O-Rings in FPM
- Green dot

Válvula de bola "Standard"

- Cuerpo en PVC-U
- Encolar hembra
- Serie British Standard
- Juntas asiento bola en PTFE
- Anillos tóricos en FPM
- Distintivo verde



D	DN	PN	REF.	CODE
3/8"	10	16	05 61 900 VI	21086
1/2"	15	16	05 61 901 VI	21087
3/4"	20	16	05 61 902 VI	21088
1"	25	16	05 61 903 VI	21089
1 1/4"	32	16	05 61 904 VI	21090
1 1/2"	40	16	05 61 905 VI	21091
2"	50	16	05 61 906 VI	21092
2 1/2"	65	10	05 61 075 VI ^M	02492
3"	80	10	05 61 908 VI	21093
4" (DN 80)	80	10	05 61 910 VI	21094
4"	100	10	05 61 911 VI	27253

L	H	E
16	84	52
16	84	52
19	108	62
22	124	70
26	142	84
31	167	104
38	198	120
44	232	148
51	269	179
61	275	179
63	359	228

PVC-U BALL VALVES - INDUSTRIAL SERIES

VÁLVULAS DE BOLA PVC-U - SERIE INDUSTRIAL



Sizes	Solvent cement D16 - D110 (DN10-DN100) Threaded 3/8" - 4"	
Standards	Solvent socket - Metric, British Standard, ASTM, JIS Threaded - BSP, NPT Flanges: ISO Compression - metric, IPS, CTS	EN ISO 1452, EN ISO 15493, BS 4346-1, ASTM D 2467, JIS K 6743 ISO 228-1, ASTM D 2464 EN 558-1
Working pressure	@ 20°C (73°F) D16 - D63 (3/8" - 2"): PN 16 (240 psi) D75 - D110 (2 1/2" - 4"): PN 10 (150 psi)	
Materials	O-rings: EPDM / FPM	Ball seats: PTFE
Characteristics	<ul style="list-style-type: none"> • "Antiblock" system that avoids ball blockage. • 100% factory tested. • Available in PVC-U or Corzan® PVC-C. • Threaded seal carrier. • It allows the disassembling of the valve while maintaining system pressure. • Union ends for easy installation and removal. • Good mechanical strength. • Resistance to many inorganic chemicals. • Excellent flow characteristics. 	<ul style="list-style-type: none"> • Sistema "Antiblock" que evita el bloqueo de la bola. • Probadas al 100% en fábrica. • Disponibles en PVC-U y Corzan® PVC-C. • Portajuntas roscado. • Permite el desmontaje de la válvula manteniendo la instalación bajo presión. • Manguitos de unión pensados para su fácil instalación y mantenimiento. • Buena resistencia mecánica. • Resistencia a múltiples sustancias químicas inorgánicas. • Excelentes características de conducción.
Certifications / regulations	Ball valve design regulation - EN ISO 16135 NSF National Sanitation Foundation (USA) Only products bearing the NSF Mark are certified NSF 61 1/2" thru 3" ASTM F1970	

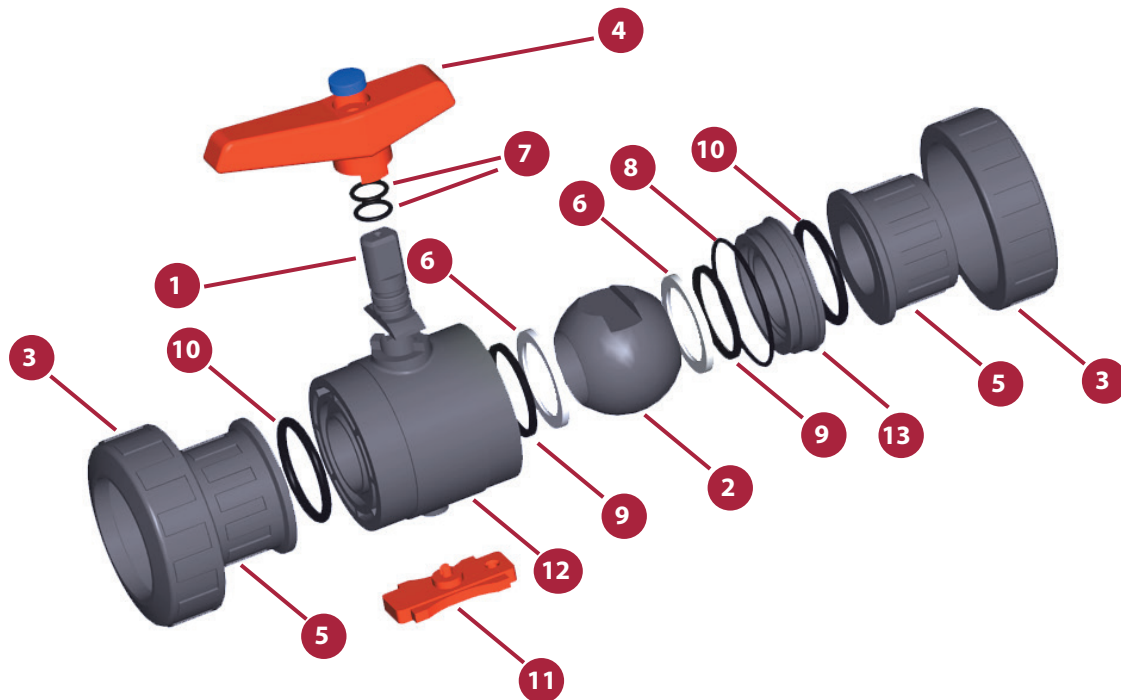
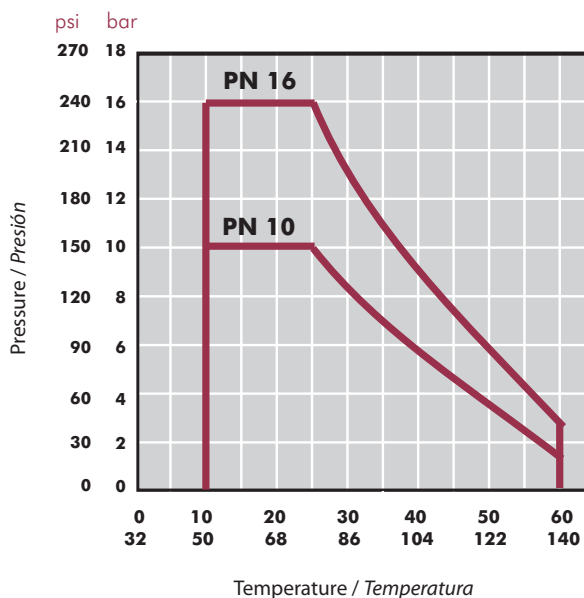


FIG.	Parts	Despiece	Material
1	Shaft	Eje	PVC-U
2	Ball	Bola	PVC-U
3	Union nut	Tuerca	PVC-U
4	Handle	Conjunto maneta	PP
5	End connector	Manguito enlace	PVC-U
6	Ball seat	Asiento bola	PTFE
7	Shaft o-ring	Junta eje	EPDM / FPM
8	Body o-ring	Junta cuerpo	EPDM / FPM
9	Dampener seal	Junta amortiguación	EPDM / FPM
10	End connector o-ring	Junta manguito	EPDM / FPM
11	Adjusting tool	Llave de regulación	ABS
12	Body	Cuerpo	PVC-U
13	Seal-carrier	Portajuntas	PVC-U

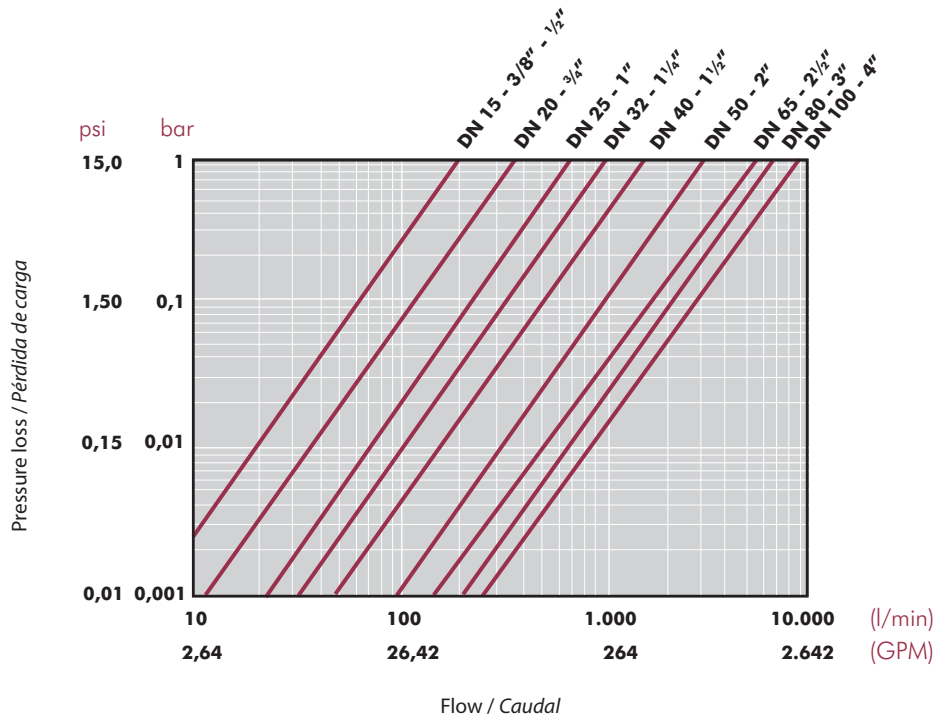
PRESSURE / TEMPERATURE GRAPH
DIAGRAMA PRESIÓN / TEMPERATURA



Life: 25 years
 Hydrostatic maximum pressure a component may withstand in continuous service (without overpressure)

Vida útil: 25 años
 Presión hidrostática máxima que un componente es capaz de soportar en servicio continuo (sin sobrepresión)

PRESSURE LOSS DIAGRAM
DIAGRAMA DE PÉRDIDAS DE CARGA



RELATIVE FLOW
FLUJO RELATIVO

D	16-3/8"	20-1/2"	25-3/4"	32-1"	40-1 1/4"	50-1 1/2"	63-2"	75-2 1/2"	90-3"	110-4"
DN	10	15	20	25	32	40	50	65	80	100
Kv₁₀₀	75	190	380	690	980	1.600	3.000	5.500	6.800	8900
Cv	5,3	13,3	26,6	48,3	68,6	112	210,1	385,2	476,2	623,2

$Cv = Kv_{100} / 14,28$
 Kv_{100} (l/min, $\Delta p = 1$ bar)
 Cv (GPM, $\Delta p = 1$ psi)

TORQUE GRAPH
DIAGRAMA DE PAR

D	16-3/8"	20-1/2"	25-3/4"	32-1"	40-1 1/4"	50-1 1/2"	63-2"	75-2 1/2"	90-3"	110-4"
DN	10	15	20	25	32	40	50	65	80	100
Nm	1	1	2	3,5	3,5	5	15	25	45	60
in/lb	8,9	8,9	17,7	31	31	44,3	132,8	221,3	398,3	531

Operating torque values at rated pressure (PN) and 20 °C in as new direct from the factory condition. Installation and operating conditions (pressure and temperature) will affect these values. The actuator that is required for an automatic operation must be calculated according to some safety factors that were determined in life tests carried out in the factory.

Los valores de par de giro se determinan a presión nominal (PN) y a 20 °C, en condiciones de salida de fábrica. Las condiciones de instalación y operación (presión y temperatura) afectarán a estos valores. El actuador requerido para automatizar el giro debe ser calculado teniendo en cuenta ciertos coeficientes de seguridad que han sido determinados en pruebas de fatiga realizadas en fábrica.

ASSEMBLY INSTRUCTIONS

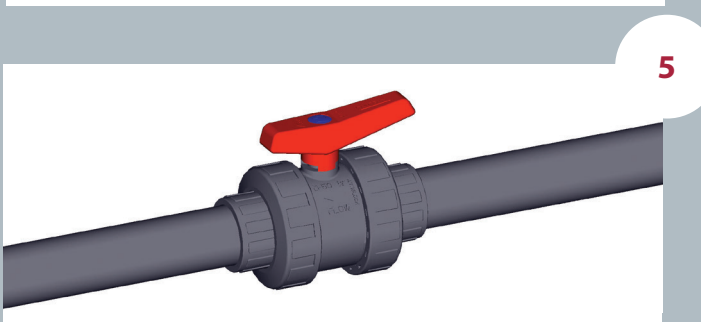
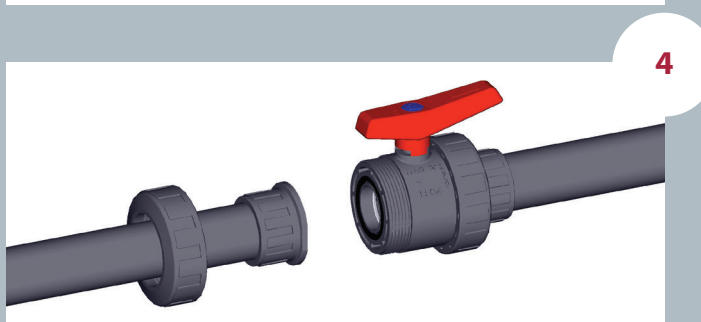
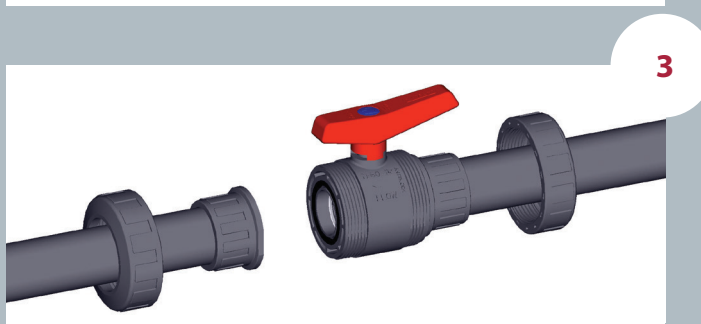
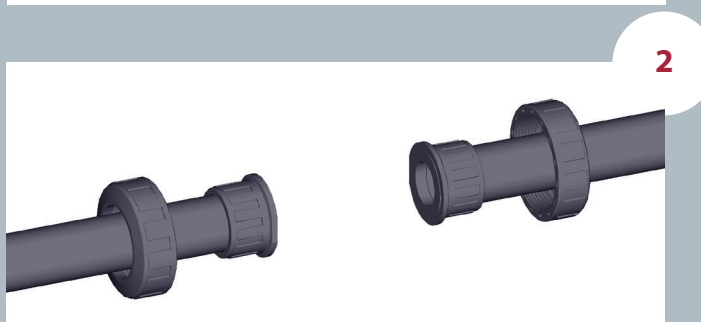
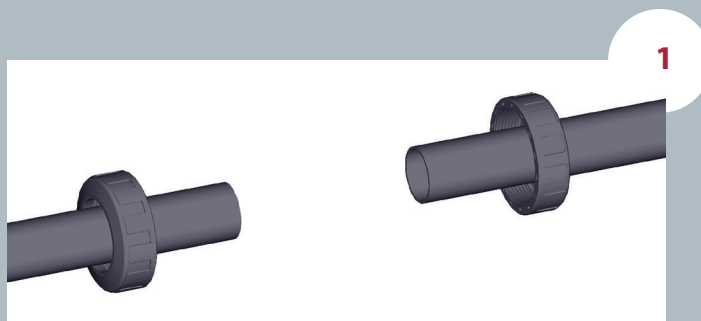
Solvent socket or threaded unions

Loosen the valve union nuts (3) and separate these and the end connectors (5) from the valve body. Pass the pipe through the nuts and then place the bushes over the end of the pipe. The socket unions should be glued onto the pipe using a PVC-U or PVC-C adhesive and pressure should not be applied to the system until a drying period of at least 1 hour per bar of working pressure has elapsed. In the case of threaded unions, PTFE tape should be applied to the male threads. The pipes can now be attached to the valve by hand tightening down the nuts.

INSTRUCCIONES DE MONTAJE

Uniones encoladas o roscadas

Afloje las tuercas (3) de la válvula y sepárelas de los manguitos (5). Introduzca las tuercas en los tubos y a continuación fije los manguitos en los extremos del tubo. Las uniones encoladas se realizarán con un adhesivo para tubos de PVC-U o PVC-C rígido y no se aplicará presión hasta transcurridas al menos 1 hora por bar. En las uniones roscadas se colocará cinta de PTFE en las roscas macho. A continuación ya podrá colocarse la válvula entre los manguitos y apretar a mano las tuercas sobre la válvula.



SEAL-CARRIER

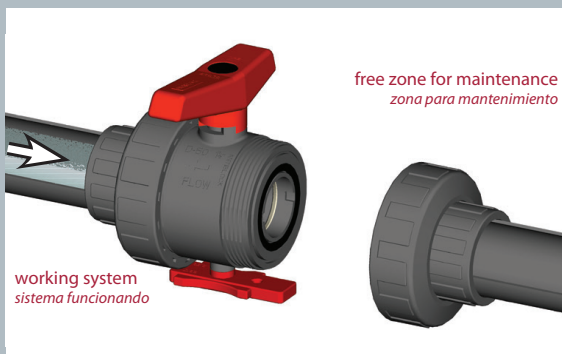
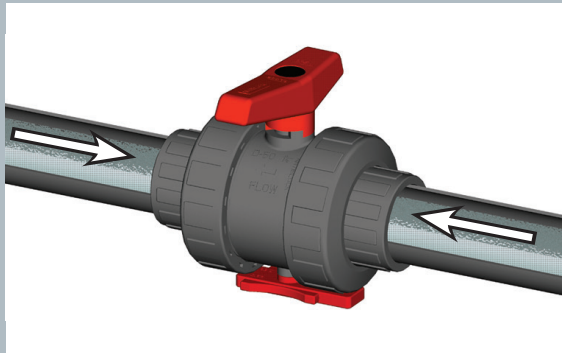
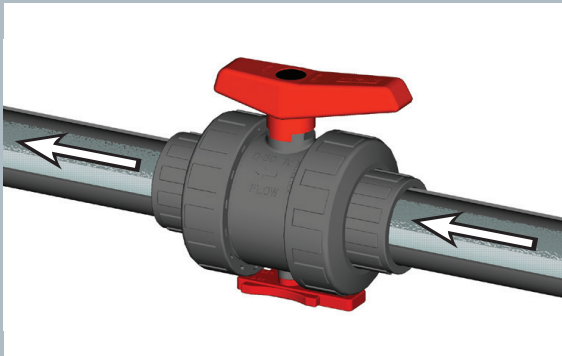
Industrial Series - Threaded seal-carrier

Industrial Series feature a threaded seal-carrier instead of the push-fit system. The threaded seal-carrier allows for upstream maintenance without emptying the system.

A closed valve with a push-fit seal-carrier will not withstand system pressure: when the nut is disassembled, the seal-carrier gets free.

On the other side, a valve with a threaded seal-carrier will support the system pressure thanks to the thread.

With Cepex valves, it is possible to disassemble the valve (only upstream) to carry out installation maintenance.



PORTAJUNTAS

Serie Industrial - Portajuntas roscado

La Serie Industrial, al llevar el portajuntas roscado en vez de estar insertado a presión, permite el mantenimiento aguas arriba sin necesidad de vaciar el sistema.

Con un portajuntas a presión, la presión del sistema (con la válvula cerrada) hace que éste salte al intentar desmontar la válvula.

Con un portajuntas roscado, al desmontar la válvula, la rosca aguanta toda la presión del sistema sin ceder.

Ahora podemos desmontar la válvula (en su parte aguas arriba) para realizar el mantenimiento de la instalación.

Fluid comes from the pump and goes through the open valve.
El fluido sale de la bomba y pasa por la válvula abierta.

When the valve is closed, fluid exerts pressure in both directions.

Cerrando la válvula, el fluido ejerce presión en ambos lados.

With the threaded seal-carrier, we are able to isolate the pump zone for maintenance. The thread is supporting the pressure of the system.

Con el portajuntas roscado, podemos aislar la zona de la bomba para su mantenimiento. La rosca aguanta la presión del sistema.

ADJUSTMENT AND MAINTENANCE OF THE VALVES

Provided that there is no pressure in the circuit, with the valve closed maintenance can be carried out on any component in the valve line.

The following steps can be carried out while maintaining system pressure.

The valve is factory adjusted to ensure correct operation over long periods of time. Nevertheless, it is possible to readjust the clamping force on the ball if it is required. This operation is carried out by using the adjusting tool (11) which is attached to the bottom of the valve.

To carry out this operation it is first necessary to disassemble the two nuts and remove the valve. Introduce the adjusting tool (11) into the slot which forms part of the seal-carrier (13) and turn the adjusting tool either (a) clockwise to loosen the seal or (b) anticlockwise to tighten the seal.

When the time comes to replace any part of the valve, this can be easily done. First, use the adjusting tool to turn the seal-carrier (13) clockwise until it comes free. At this stage, any of the body O-rings (6,8,9) or the ball (2) can be replaced. If it is necessary to change the shaft (1) or its O-rings (7), then the ball should be removed. It is also necessary to remove the handle (4) by loosening the screw which is found below the press-in logo in its centre. Pressing down will then free the shaft. Please beware that excessively tightening the seal holder will increase the valve actuating torque which in turn may cause problems with motorized actuators.

When reassembling the valve, lubricate the seals with vaseline or silicone. Never use greases or mineral oils.

REGULACIÓN Y MANTENIMIENTO DE LA VÁLVULA

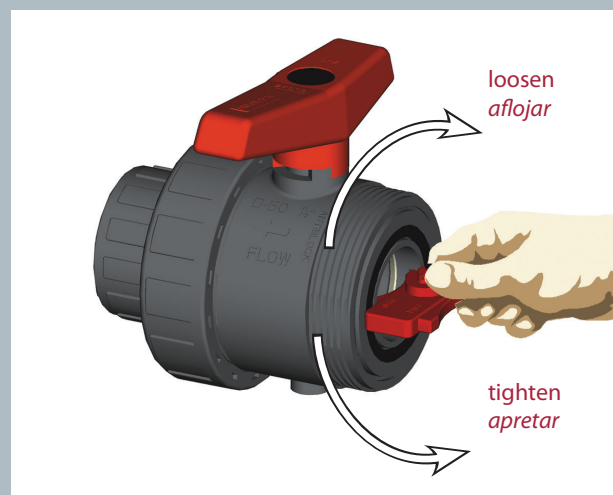
Es posible realizar el mantenimiento de cualquiera de los extremos de la línea conectados a la válvula manteniendo la instalación bajo presión. Simplemente cerrando la válvula, ésta actuará como tapón en cualquiera de los dos sentidos. Las operaciones a continuación descritas se realizarán siempre sin fluido en la línea.

La válvula está ajustada en fábrica para un correcto y prolongado funcionamiento. No obstante, es posible reajustar la fuerza de apriete de la junta de cierre sobre la bola cuando las condiciones de uso lo requieran. Esta operación se llevará a cabo con ayuda de la llave de regulación (11) que se adjunta en la parte inferior de la válvula.

Para ello desmonte las tuercas (3) de la válvula y extráigala de su alojamiento. Introduzca la llave (11) en la ranura que a tal efecto tiene el portajuntas (13) y gírela en sentido antihorario para apretar la junta y horario para aflojarla.

En caso se desgaste de algún componente de la válvula, podrá ser sustituido desmontando el conjunto del cuerpo de la válvula. Para ello proceda igual que con la regulación pero gire en sentido horario hasta que el portajuntas quede libre. Llegado este punto podrá sustituir cualquiera de las juntas del cuerpo (6,8,9) o la bola (2). Si fuera necesario sustituir el eje (1) o sus juntas (7) debería extraer la bola y además quitar la maneta (4) aflojando el tornillo que se encuentra bajo el logotipo y de esta forma, presionando hacia abajo, liberará el eje. Nótese que un apriete excesivo sobre el portajuntas puede influir en el par de accionamiento lo que puede perjudicar a los actuadores de válvulas motorizadas.

El montaje se realiza siguiendo el proceso inverso pero teniendo siempre la precaución de lubricar las juntas con vaselina neutra o silicona. No utilizar grasas o aceites minerales.

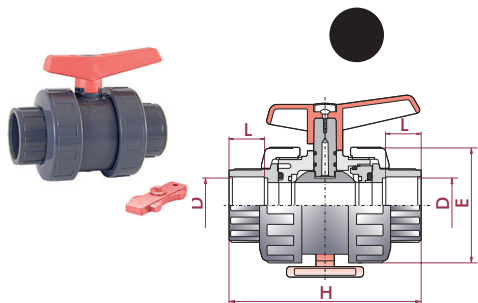


UP. 73. SF6. BS - PVC-U INDUSTRIAL BALL VALVES
"Industrial" ball valve

- PVC-U body
- Female solvent socket
- British Standard series
- Seating joints in PTFE
- O-Rings in EPDM
- Black dot

Válvula de bola "Industrial"

- Cuerpo en PVC-U
- Encolar hembra
- Serie British Standard
- Juntas asiento bola en PTFE
- Anillos tóricos en EPDM
- Distintivo negro



D	DN	PN	REF.	CODE
3/8"	10	16	05 73 900	18493
1/2"	15	16	05 73 901	18494
3/4"	20	16	05 73 902	18495
1"	25	16	05 73 903	18496
1 1/4"	32	16	05 73 904	18497
1 1/2"	40	16	05 73 905	18498
2"	50	16	05 73 906	18499
2 1/2"	65	10	05 73 075 ^M	18441
3"	80	10	05 73 908	18500
4"	100	10	05 73 911	27249

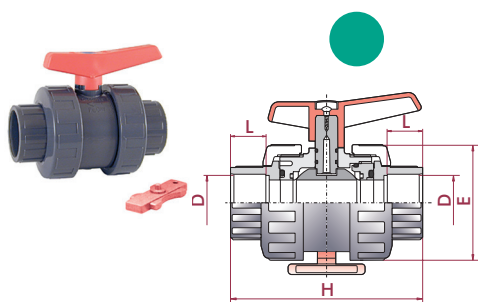
L	H	E
16	84	52
16	84	52
19	108	62
22	124	70
26	142	84
31	167	104
38	198	120
44	232	148
51	269	179
63	359	228

UP. 73. SF7. BS - PVC-U INDUSTRIAL BALL VALVES
"Industrial" ball valve

- PVC-U body
- Female solvent socket
- British Standard series
- Seating joints in PTFE
- O-Rings in FPM
- Green dot

Válvula de bola "Industrial"

- Cuerpo en PVC-U
- Encolar hembra
- Serie British Standard
- Juntas asiento bola en PTFE
- Anillos tóricos en FPM
- Distintivo verde



D	DN	PN	REF.	CODE
3/8"	10	16	05 73 900 VI	21095
1/2"	15	16	05 73 901 VI	21096
3/4"	20	16	05 73 902 VI	21097
1"	25	16	05 73 903 VI	21098
1 1/4"	32	16	05 73 904 VI	21099
1 1/2"	40	16	05 73 905 VI	21100
2"	50	16	05 73 906 VI	21101
2 1/2"	65	10	05 73 075 VI ^M	18450
3"	80	10	05 73 908 VI	21102
4"	100	10	05 73 911 VI	27250

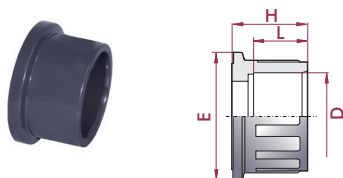
L	H	E
16	84	52
16	84	52
19	108	62
22	124	70
26	142	84
31	167	104
38	198	120
44	232	148
51	269	179
63	359	228

UP. 22. SF. VA. BS - PVC-U CONNECTOR FOR INDUSTRIAL BALL VALVES
Bush connection

- Female solvent socket
- British Standard series

Manguito conexión

- Encolar hembra
- Serie British Standard



D	DN	PN	REF.	CODE
3/8"	10	16	05 22 900 VA	27262
1/2"	15	16	05 22 901 VA	27263
3/4"	20	16	05 22 902 VA	27264
1"	25	16	05 22 903 VA	27265
1 1/4"	32	16	05 22 904 VA	27266
1 1/2"	40	16	05 22 905 VA	27267
2"	50	16	05 22 906 VA	27268
2 1/2"	65	10	05 22 075 VA ^M	22030
3"	80	10	05 22 908 VA	27269
4"	80	10	05 22 910 VA	27270
4"	100	10	05 22 911 VA	27271

L	H	E
14	21	37
16	21	37
19	27	43
22	30	51
26	36	62
31	43	73
38	51	93
44	57	118
51	64	144
61	70	147
63	82	188

PVC-C valves on order
 Válvulas en PVC-C bajo pedido

PVC-U BALL VALVES - e-QUA SERIES

VÁLVULAS DE BOLA PVC-U - SERIE e-QUA



Sizes	Solvent cement D50 - D63 (DN45-DN50) Threaded 1½" - 2"	
Standards	Solvent socket - Metric, British, ASTM Threaded - BSP, NPT	EN ISO 1452, EN ISO 15493, BS 4346-1, ASTM D 2467 ISO 228-1, ASTM D 2464
Working pressure	@ 20°C (73°F) D50 - D63 (1½" - 2"): PN 12 (180 psi)	
Materials	O-rings: EPDM	Ball seats: HDPE
Characteristics	<ul style="list-style-type: none"> • "Antiblock" system that avoids ball blockage. • 100% factory tested. • Minimal pressure drop. • Low operating torque. • Resistance to many inorganic chemicals. • Ideally suited for swimming pool applications. • Excellent flow characteristics. 	<ul style="list-style-type: none"> • Sistema "Antiblock" que evita el bloqueo de la bola. • Probadas al 100% en fábrica. • Mínima pérdida de carga. • Bajo par de apertura y cierre. • Resistencia a múltiples sustancias químicas inorgánicas. • Especialmente indicada para aplicaciones de piscina. • Excelentes características de conducción.
Certifications / regulations	Ball valve design regulation - EN ISO 16135	

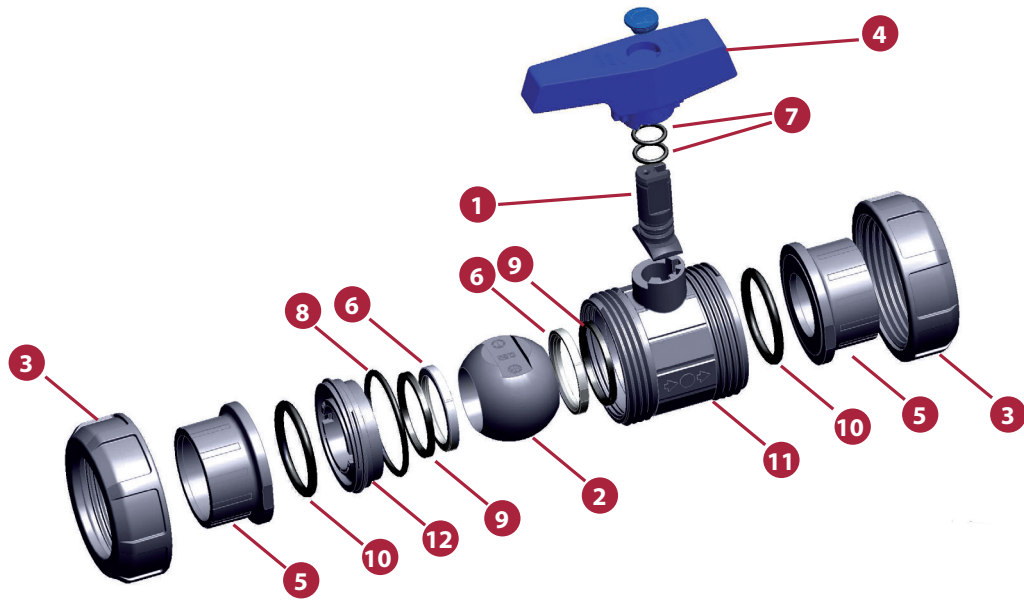
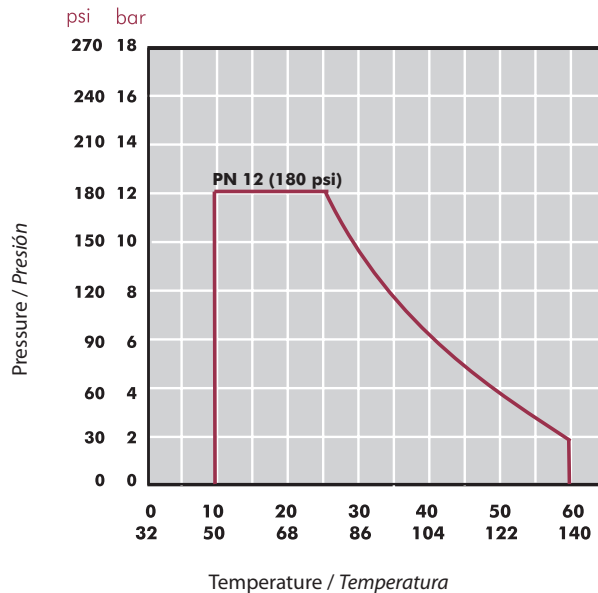


FIG.	Parts	Despiece	Material
1	Shaft	Eje	PVC-U
2	Ball	Bola	PVC-U
3	Union nut	Tuerca	PVC-U
4	Handle	Conjunto maneta	PP
5	End connector	Manguito enlace	PVC-U
6	Ball seat	Asiento bola	HDPE
7	Shaft o-ring	Junta eje	EPDM
8	Body o-ring	Junta cuerpo	EPDM
9	Dampener seal	Junta amortiguación	EPDM
10	End connector o-ring	Junta manguito	EPDM
11	Body	Cuerpo	PVC-U
12	Seal-carrier	Portajuntas	PVC-U

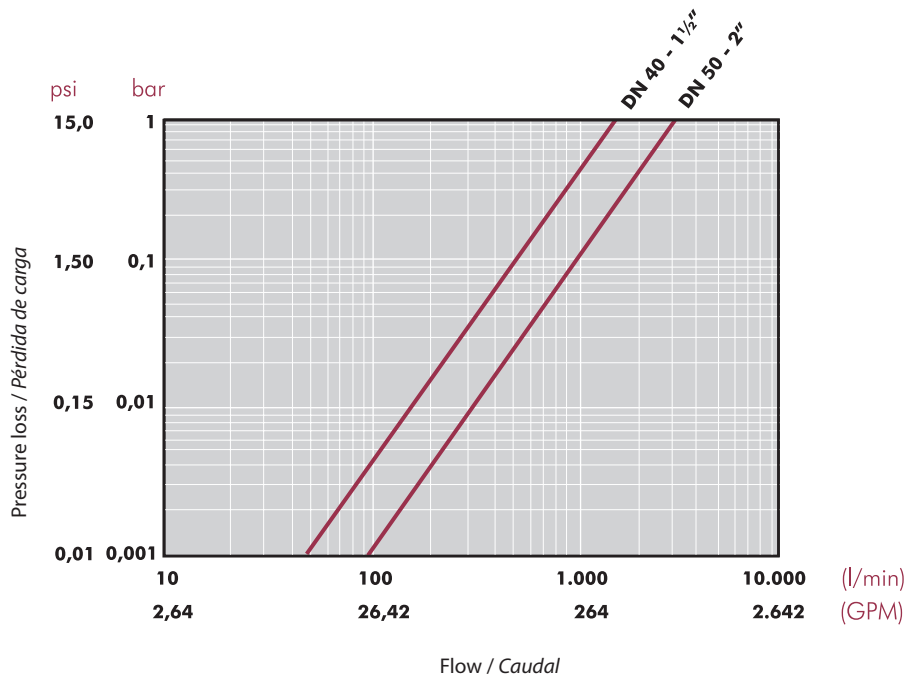
PRESSURE / TEMPERATURE GRAPH
DIAGRAMA PRESIÓN / TEMPERATURA



Life: 25 years
Hydrostatic maximum pressure a component may withstand in continuous service (without overpressure)

Vida útil: 25 años
Presión hidrostática máxima que un componente es capaz de soportar en servicio continuo (sin sobrepresión)

PRESSURE LOSS DIAGRAM
DIAGRAMA DE PÉRDIDAS DE CARGA



RELATIVE FLOW
FLUJO RELATIVO

D	50-1 1/2"	63-2"
DN	40	50
Kv ₁₀₀	1.600	3.000
Cv	112	210,1

$Cv = Kv_{100} / 14,28$
 Kv_{100} (l/min, $\Delta p = 1$ bar)
 Cv (GPM, $\Delta p = 1$ psi)

OPERATIONAL TORQUE CHART
TABLA DE PAR DE MANIOBRA

D	50-1 1/2"	63-2"
DN	40	50
Nm	5	15
in-lbf	44,3	132,8

Operating torque values at rated pressure (PN) and 20 °C in as new direct from the factory condition. Installation and operating conditions (pressure and temperature) will affect these values.

Los valores de par de giro se determinan a presión nominal (PN) y a 20 °C, en condiciones de salida de fábrica. Las condiciones de instalación y operación (presión y temperatura) afectarán a estos valores.

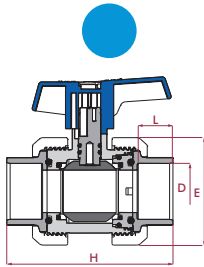
UP. **62EQ**. SF5. BS - PVC-U e-QUA BALL VALVE

e-QUA ball valve

- PVC-U body
- Female solvent socket
- British Standard series
- Seating joints in HDPE
- O-Rings in EPDM

Válvula de bola e-QUA

- Cuerpo en PVC-U
- Encolar hembra
- Serie British Standard
- Juntas asiento bola en HDPE
- Anillos tóricos en EPDM



D	DN	PN	REF.	CODE
1½"	40	12	60 62 905	41991
2"	50	12	60 62 906	41992

L	H	E
31	149	96
38	174	118

PVC-U BALL VALVES - PN 10 SERIES

VÁLVULAS DE BOLA PVC-U - SERIE PN 10



Sizes	Solvent cement D16 - D110 (DN10-DN100) Threaded 3/8" - 4"	
Standards	Solvent socket - Metric Threaded - BSP Compression - metric, IPS, CTS	EN ISO 1452, EN ISO 15493 ISO 228-1
Working pressure	@ 20°C (73°F) D16 - D110 (3/8" - 4"): PN 10 (150 psi)	
Materials	O-rings: EPDM	Ball seats: HDPE
Characteristics	<ul style="list-style-type: none"> • "Antiblock" system that avoids ball blockage. • 100% factory tested. • Minimal pressure drop. • Low operating torque. • Resistance to many inorganic chemicals. • Excellent flow characteristics. 	<ul style="list-style-type: none"> • Sistema "Antiblock" que evita el bloqueo de la bola. • Probadas al 100% en fábrica. • Mínima pérdida de carga. • Bajo par de apertura y cierre. • Resistencia a múltiples sustancias químicas inorgánicas. • Excelentes características de conducción.
Certifications / regulations	Ball valve design regulation - EN ISO 16135	

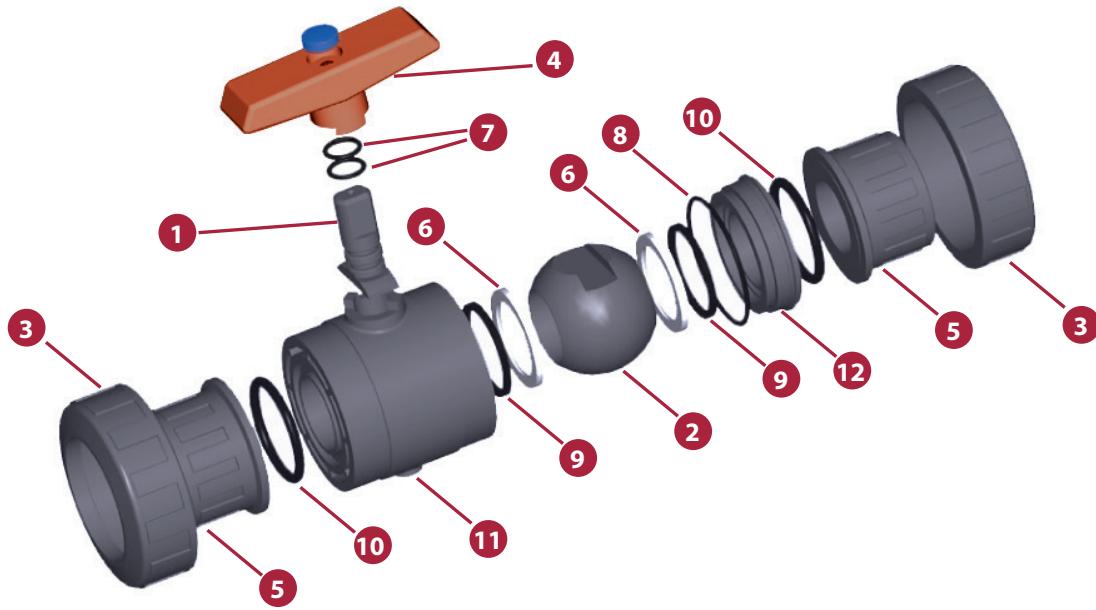
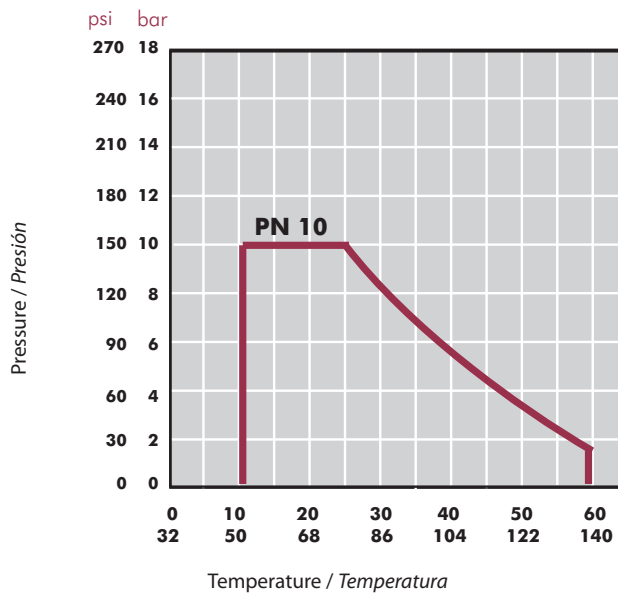


FIG.	Parts	Despiece	Material
1	Shaft	Eje	PVC-U
2	Ball	Bola	PVC-U
3	Union nut	Tuerca	PVC-U
4	Handle	Conjunto maneta	PP
5	End connector	Manguito enlace	PVC-U
6	Ball seat	Asiento bola	HDPE
7	Shaft o-ring	Junta eje	EPDM
8	Body o-ring	Junta cuerpo	EPDM
9	Dampener seal	Junta amortiguación	EPDM
10	End connector o-ring	Junta manguito	EPDM
11	Body	Cuerpo	PVC-U
12	Seal-carrier	Portajuntas	PVC-U

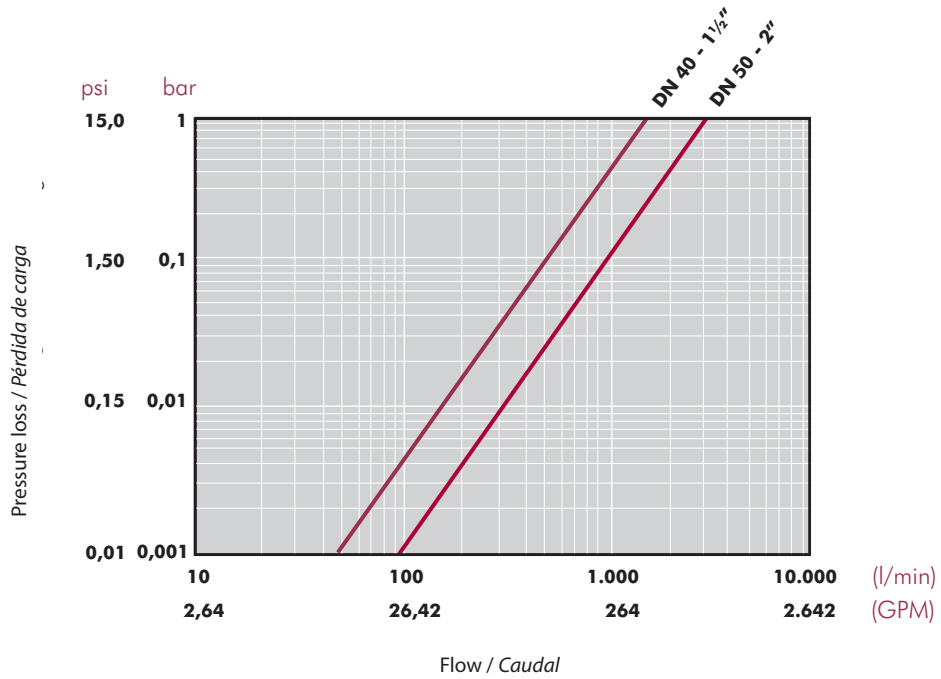
PRESSURE / TEMPERATURE GRAPH
DIAGRAMA PRESIÓN / TEMPERATURA



Life: 25 years
Hydrostatic maximum pressure a component may withstand in continuous service (without overpressure)

Vida útil: 25 años
Presión hidrostática máxima que un componente es capaz de soportar en servicio continuo (sin sobrepresión)

PRESSURE LOSS DIAGRAM
DIAGRAMA DE PÉRDIDAS DE CARGA



RELATIVE FLOW
FLUJO RELATIVO

D	50-1 1/2"	63-2"
DN	40	50
Kv ₁₀₀	1.600	3.000
Cv	112	210,1

$Cv = Kv_{100} / 14,28$
 Kv_{100} (l/min, $\Delta p = 1$ bar)
 Cv (GPM, $\Delta p = 1$ psi)

OPERATIONAL TORQUE CHART
TABLA DE PAR DE MANIOBRA

D	50-1 1/2"	63-2"
DN	40	50
Nm	5	15
in-lbf	44,3	132,8

Operating torque values at rated pressure (PN) and 20 °C in as new direct from the factory condition. Installation and operating conditions (pressure and temperature) will affect these values.

Los valores de par de giro se determinan a presión nominal (PN) y a 20 °C, en condiciones de salida de fábrica. Las condiciones de instalación y operación (presión y temperatura) afectarán a estos valores.

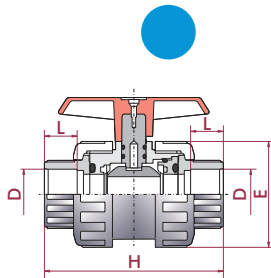
UP. 62. SF5. BS

"PN 10" ball valve

- PVC-U body
- Female solvent socket
- British Standard series
- Seating joints in HDPE
- O-Rings in EPDM

Válvula de bola "PN 10"

- Cuerpo en PVC-U
- Encolar hembra
- Serie British Standard
- Juntas asiento bola en HDPE
- Anillos tóricos en EPDM



D	DN	PN	REF.	CODE
1½"	40	10	05 62 905	07285
2"	50	10	05 62 906	07286

L	H	E
31	162	94
38	192	117

PVC-U BALL VALVES - UNIBLOCK SERIES

VÁLVULAS DE BOLA PVC-U - SERIE UNIBLOCK



Sizes	Solvent cement D20 - D110 (DN15-DN100) Threaded 1/2" - 4"	
Standards	Solvent socket - Metric, British standard, ASTM Threaded - BSP, NPT Compression - metric, IPS, CTS	EN ISO 1452, EN ISO 15493, BS 4346-1, ASTM D 2467 ISO 228-1, ASTM D 2464
Working pressure	@ 20°C (73°F) D20 - D110 (1/2" - 4"): PN 10 (150 psi)	
Materials	O-rings: EPDM	Ball seats: HDPE
Characteristics	<ul style="list-style-type: none"> • "Antiblock" system that avoids ball blockage. • 100% factory tested. • Low maintenance. • Fast replacement of O-Rings and ball seat without additional tools. • Excellent flow characteristics. • Easy to install. • Light weight. • Ideally suited for irrigation and swimming pools. 	<ul style="list-style-type: none"> • Sistema "Antiblock" que evita el bloqueo de la bola. • Probadas al 100% en fábrica. • Larga vida sin mantenimiento. • Reemplazo rápido de las juntas y de la junta de asiento de la bola sin herramientas adicionales. • Excelentes características de conducción. • Fácil de instalar. • Ligera. • Especialmente indicada para riego y piscina.
Certifications / regulations	Ball valve design regulation - EN ISO 16135 NSF National Sanitation Foundation (USA) Only products bearing the NSF Mark are certified NSF 61 1 1/2" thru 2" Socketed 1 1/2" thru 2" Threaded ASTM F1970	

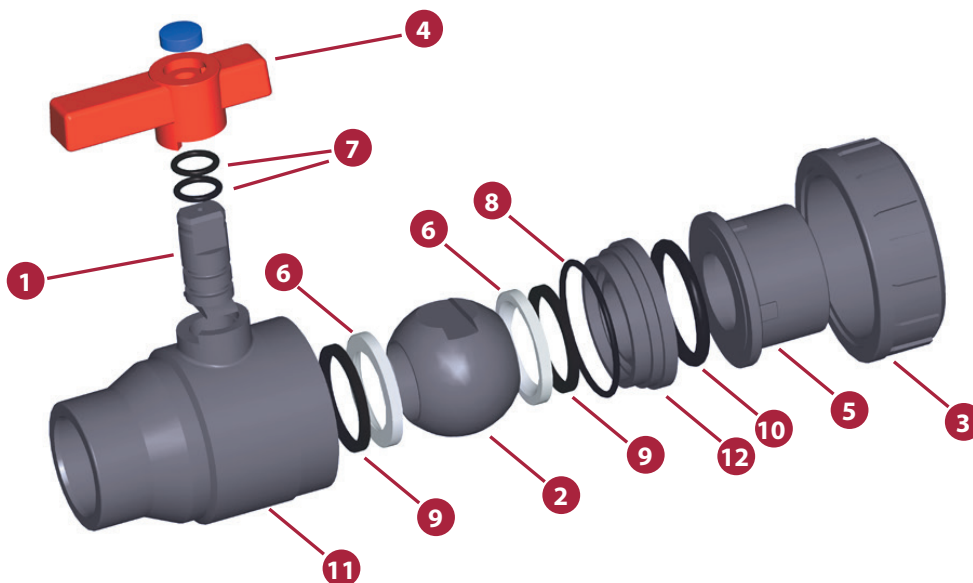
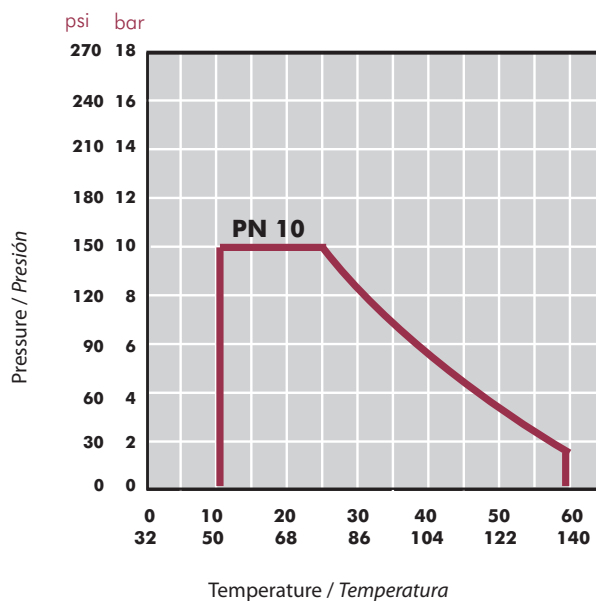


FIG.	Parts	Despiece	Material
1	Shaft	Eje	PVC-U
2	Ball	Bola	PVC-U
3	Union nut	Tuerca	PVC-U
4	Handle	Conjunto maneta	ABS
5	End connector	Manguito enlace	PVC-U
6	Ball seat	Asiento bola	HDPE
7	Shaft o-ring	Junta eje	EPDM
8	Body o-ring	Junta cuerpo	EPDM
9	Dampener seal	Junta amortiguación	EPDM
10	End connector o-ring	Junta manguito	EPDM
11	Body	Cuerpo	PVC-U
12	Seal-carrier	Portajuntas	PVC-U

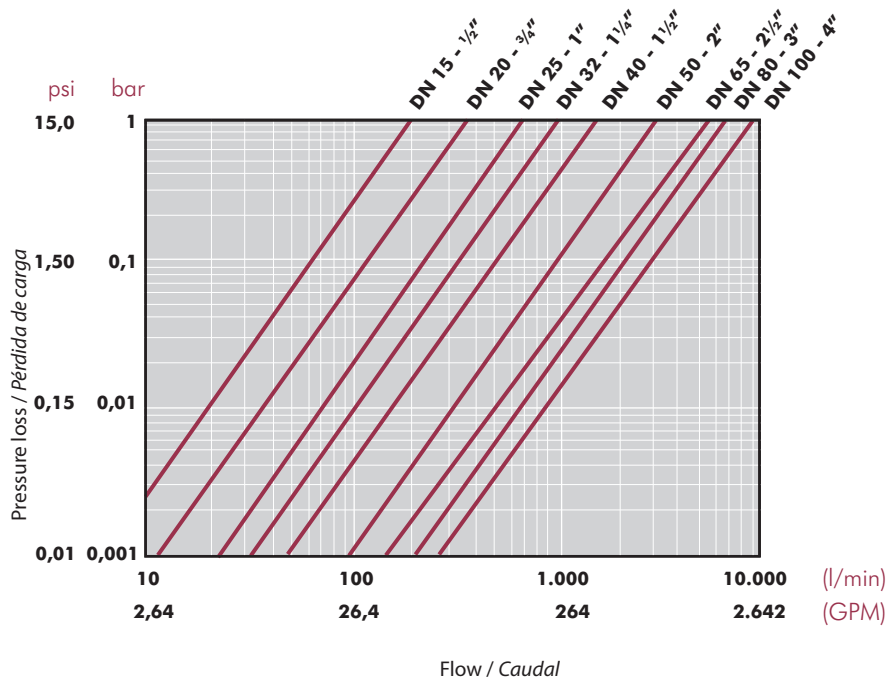
PRESSURE / TEMPERATURE GRAPH
DIAGRAMA PRESIÓN / TEMPERATURA



Life: 25 years
Hydrostatic maximum pressure a component may withstand in continuous service (without overpressure)

Vida útil: 25 años
Presión hidrostática máxima que un componente es capaz de soportar en servicio continuo (sin sobrepresión)

PRESSURE LOSS DIAGRAM
DIAGRAMA DE PÉRDIDAS DE CARGA



RELATIVE FLOW
FLUJO RELATIVO

D	20-1/2"	25-3/4"	32-1"	40-1 1/4"	50-1 1/2"	63-2"	75-2 1/2"	90-3"	110-4"
DN	15	20	25	32	40	50	65	80	100
Kv₁₀₀	190	380	690	980	1.600	3.000	5.500	6.800	8900
Cv	13,3	26,6	48,3	68,6	112	210,1	385,2	476,2	623,2

$Cv = Kv_{100} / 14,28$
 Kv_{100} (l/min, $\Delta p = 1$ bar)
 Cv (GPM, $\Delta p = 1$ psi)

OPERATIONAL TORQUE CHART
TABLA DE PAR DE MANIOBRA

D	20-1/2"	25-3/4"	32-1"	40-1 1/4"	50-1 1/2"	63-2"	75-2 1/2"	90-3"	110-4"
DN	15	20	25	32	40	50	65	80	100
Nm	1	2	3,5	3,5	5	15	25	45	60
in-lbf	8,9	17,7	31	31	44,3	132,8	221,3	398,3	531

Operating torque values at rated pressure (PN) and 20 °C in as new direct from the factory condition. Installation and operating conditions (pressure and temperature) will affect these values.

Los valores de par de giro se determinan a presión nominal (PN) y a 20 °C, en condiciones de salida de fábrica. Las condiciones de instalación y operación (presión y temperatura) afectarán a estos valores.

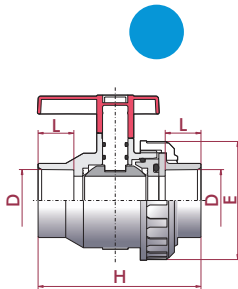
UP. 70S. SF5. BS - PVC-U UNIBLOCK BALL VALVES

"Uniblock" ball valve

- PVC-U body
- Female solvent socket
- British Standard series
- Seating joints in HDPE
- O-Rings in EPDM

Válvula de bola "Uniblock"

- Cuerpo en PVC-U
- Encolar hembra
- Serie British Standard
- Juntas asiento bola en HDPE
- Anillos tóricos en EPDM



D	DN	PN	REF.	CODE
½"	15	10	05 70 901	27273
¾"	20	10	05 70 902	27274
1"	25	10	05 70 903	27275
1¼"	32	10	05 70 904	27276
1½"	40	10	05 70 905	16519
2"	50	10	05 70 906	16520
2½"	65	10	05 70 075 ^M	22777
3"	80	10	05 70 908	27277

L	H	E
16	85	52
19	103	60
22	117	69
26	135	84
31	135	94
38	169	116
44	240	128
51	270	178

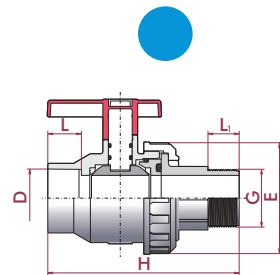
UP. 70S. MT5. BS - PVC-U UNIBLOCK BALL VALVES

"Uniblock" ball valve

- PVC-U body
- Female solvent socket body & BSP male thread union
- Seating joints in HDPE
- O-Rings in EPDM

Válvula de bola "Uniblock"

- Cuerpo en PVC-U
- Cuerpo encolar hembra y manguito rosca macho BSP
- Juntas asiento bola en HDPE
- Anillos tóricos en EPDM



D	DN	PN	CODE	REF.
½" - ½"	15	10	27278	05 70 931
¾" - ¾"	20	10	27279	05 70 932
1" - 1"	25	10	27280	05 70 933
1¼" - 1¼"	32	10	27281	05 70 934
1½" - 1½"	40	10	16521	05 70 935
2" - 2"	50	10	16522	05 70 936
2½" - 2½"	65	10	22789	05 70 475 ^M
3" - 3"	80	10	27282	05 70 938

L	L ₁	H	E
16	12	97	52
19	16	119	60
22	20	137	69
26	21	152	84
31	21	155	94
38	28	195	116
44	30	263	128
51	33	297	178

PVC-U BALL VALVES - 3-WAY SERIES

VÁLVULAS DE BOLA PVC-U - SERIE 3 VÍAS



Sizes	Solvent cement D50 (DN40) Threaded 1½"	
Standards	Solvent socket - Metric, British standard, ASTM Threaded - BSP, NPT	EN ISO 1452, EN ISO 15493, BS 4346-1, ASTM D 2467 ISO 228-1, ASTM D 2464
Working pressure	@ 20°C (73°F) D50 (1½"): PN 10 (150 psi)	
Materials	O-rings: EPDM	Ball seats: HDPE
Characteristics	<ul style="list-style-type: none"> • The flow can be diverted 90° or directed to intermediate ports. • The ball, with its T-shape flow pass, allows the following options: <ul style="list-style-type: none"> - Three way valve, maximum flow. - Two way valve 90° ports, third way closed. • Self-centering ball with 4 seats. • Handle can be positively located for maximum performance intermediate positions. 	<ul style="list-style-type: none"> • El paso del fluido puede derivarse a 90° o a puertos intermedios. • La bola, con paso del fluido en forma de "T", permite diferentes posiciones: <ul style="list-style-type: none"> - Tres vías abiertas, caudal máximo. - Dos vías a 90°, tercera cerrada. • Bola autocentable con 4 asientos. • Sistema de anclaje en la maneta para trabajar en posiciones intermedias con máximo rendimiento.
Certifications / regulations		

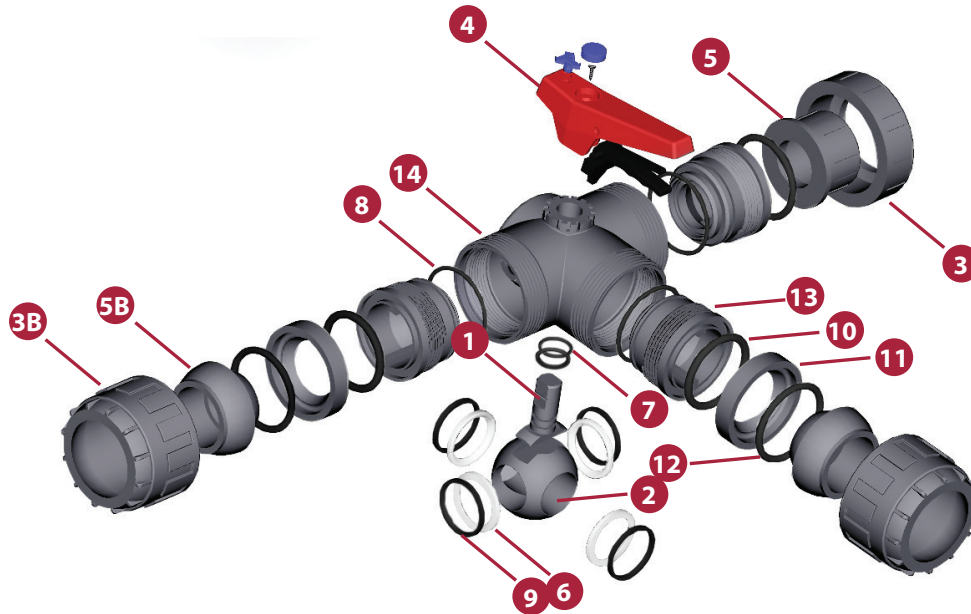
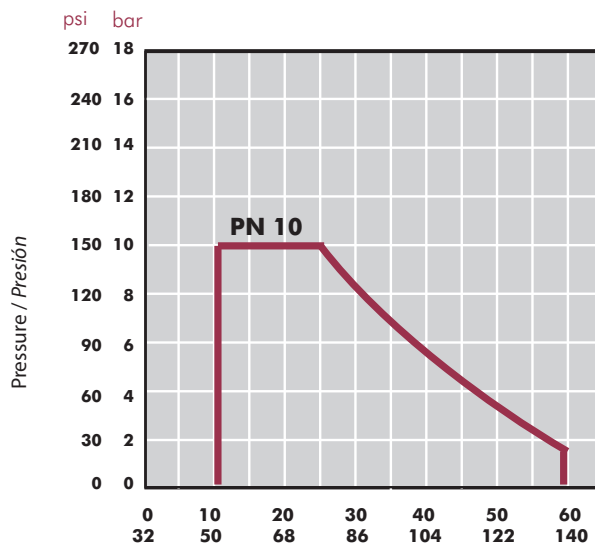


FIG.	Parts	Despiece	Material
1	Shaft	Eje	PVC-U
2	Ball	Bola	PVC-U
3	Union nut	Tuerca	PVC-U
3B	Self-align union nut	Tuerca orientable	PVC-U
4	Handle	Conjunto maneta	PP
5	End connector	Manguito enlace	PVC-U
5B	Self-align end connector	Manguito enlace orientable	PVC-U
6	Ball seat	Asiento bola	HDPE
7	Stem o-ring	Junta eje	EPDM
8	Body o-ring	Junta cuerpo	EPDM
9	Dampener seal	Junta amortiguación	EPDM
10	End connector o-ring	Junta manguito	EPDM
11	Ball-and-socket joint	Rótula	PVC-U
12	Ball-and-socket joint o-ring	Junta rótula	PE
13	Seal-carrier	Portajuntas	PVC-U
14	Body	Cuerpo	PVC-U

PRESSURE / TEMPERATURE GRAPH
DIAGRAMA PRESIÓN / TEMPERATURA

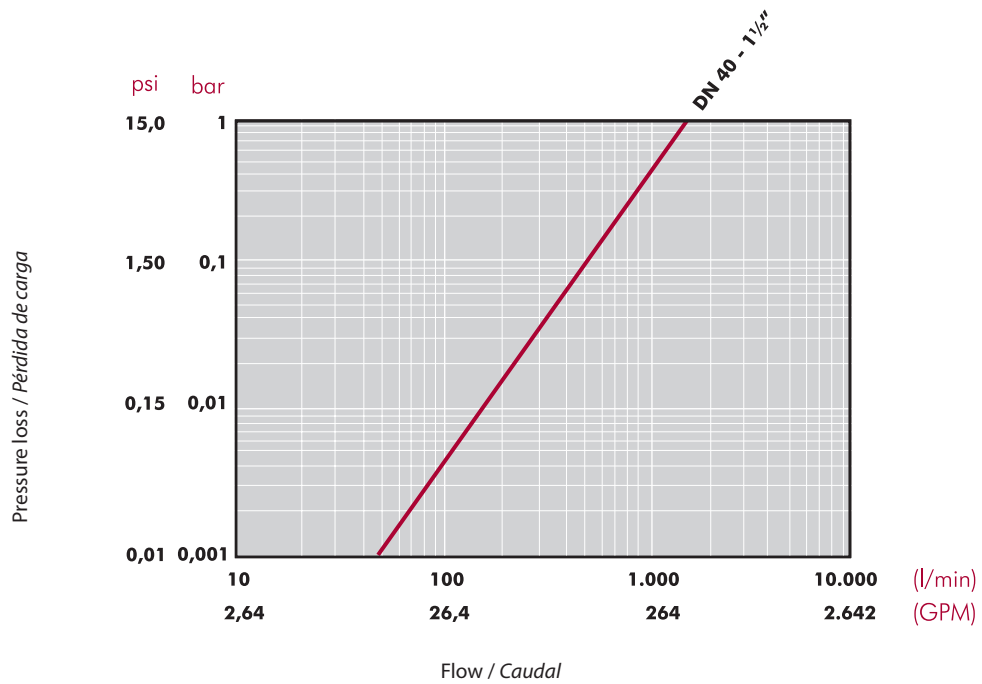


Life: 25 years
 Hydrostatic maximum pressure a component may withstand in continuous service (without overpressure)

Vida útil: 25 años
 Presión hidrostática máxima que un componente es capaz de soportar en servicio continuo (sin sobrepresión)

PRESSURE LOSS DIAGRAM

DIAGRAMA DE PÉRDIDAS DE CARGA



RELATIVE FLOW

FLUJO RELATIVO

D	50-1½"
DN	40
Kv ₁₀₀	1.050
Cv	73,5

$Cv = Kv_{100} / 14,28$
 Kv_{100} (l/min, Δp = 1 bar)
 Cv (GPM, Δp = 1 psi)

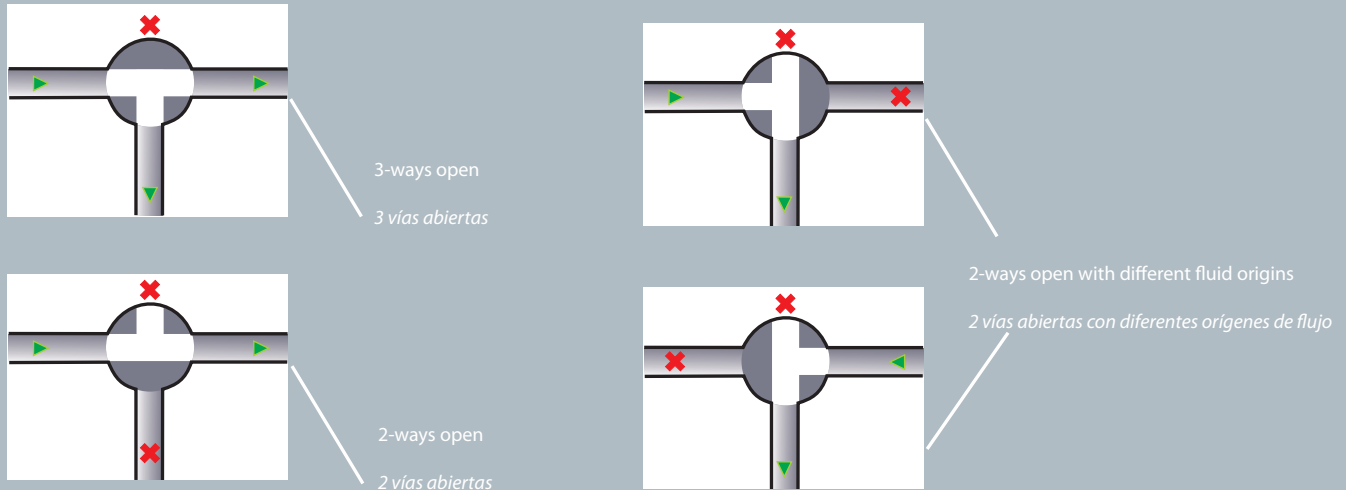
OPERATIONAL TORQUE CHART

TABLA DE PAR DE MANIOBRA

D	50-1½"
DN	40
Nm	5
in-lbf	44,3

Operating torque values at rated pressure (PN) and 20 °C in as new direct from the factory condition. Installation and operating conditions (pressure and temperature) will affect these values. The actuator that is required for an automatic operation must be calculated according to some safety factors that were determined in life tests carried out in the factory.

Los valores de par de giro se determinan a presión nominal (PN) y a 20 °C, en condiciones de salida de fábrica. Las condiciones de instalación y operación (presión y temperatura) afectarán a estos valores. El actuador requerido para automatizar el giro debe ser calculado teniendo en cuenta ciertos coeficientes de seguridad que han sido determinados en pruebas de fatiga realizadas en fábrica.



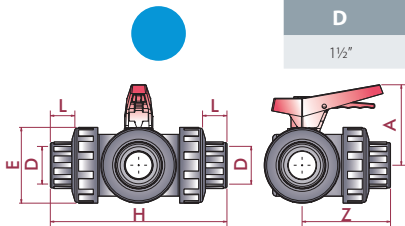
UP. 74. SF1. BS - PVC-U 3-WAY BALL VALVE

3-way ball valve

- PVC-U body
- Female solvent socket
- British Standard series
- Seating joints in HDPE
- O-Rings in EPDM

Válvula de bola 3 vías

- Cuerpo en PVC-U
- Encolar hembra
- Serie British Standard
- Juntas asiento bola en HDPE
- Anillos tóricos en EPDM



D	DN	PN	REF.	CODE
1½"	40	10	05 74 905	21104

L	H	E	A	Z
32	240	104	108	120

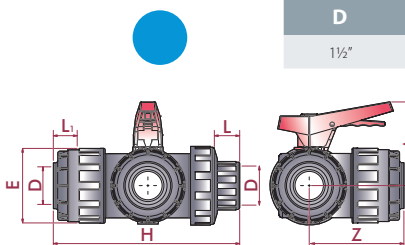
UP. 74. OSF1. BS - PVC-U 3-WAY BALL VALVE

3-way ball valve with self align unions (2 of 3)

- Max. misalignment $\pm 4^\circ$
- PVC-U body
- Female solvent socket
- British Standard series
- Seating joints in HDPE
- O-Rings in EPDM

Válvula de bola 3 vías con manguitos orientables (2 de 3)

- Desalineación max. $\pm 4^\circ$
- Cuerpo en PVC-U
- Encolar hembra
- Serie British Standard
- Juntas asiento bola en HDPE
- Anillos tóricos en EPDM



D	DN	PN	REF.	CODE
1½"	40	10	05 74 925	21105

L	L ₁	H	E	A	Z
32	32	249	97	108	135

PVC-U CHECK VALVES - SPRING SERIES

VÁLVULAS ANTI-RETORNO PVC-U - SERIE MUELLE



Sizes	Solvent cement D16 - D110 (DN10 - DN100) Threaded 3/8" - 4"	
Standards	Solvent socket - Metric, British standard, ASTM, JIS Threaded - BSP, NPT	EN ISO 1452, EN ISO 15493, BS 4346-1, ASTM D 2467, JIS K 6743 ISO 228-1, ASTM D 2464
Working pressure	@ 20°C (73°F) D16-D63 (3/8" - 2"): PN 16 (240 psi) D75 - D110 (2 1/2" - 4"): PN 10 (150 psi)	
Minimum working pressure		
Materials	O-rings: EPDM / FPM	
Characteristics	<ul style="list-style-type: none"> • May be used either vertically and horizontally. • 100% factory tested. • Easy installation and maintenance. • Available in PVC-U and Corzan® PVC-C. • Resistance to many inorganic chemicals. • Excellent flow characteristics. 	<ul style="list-style-type: none"> • Se pueden usar indistintamente verticalmente o horizontalmente. • Probadas al 100% en fábrica. • Fácil instalación y mantenimiento. • Disponibles en PVC-U y Corzan® PVC-C. • Resistencia a múltiples sustancias químicas inorgánicas. • Excelentes características de conducción.
Certifications / regulations	Check valve design regulation - ISO 16137:2006	

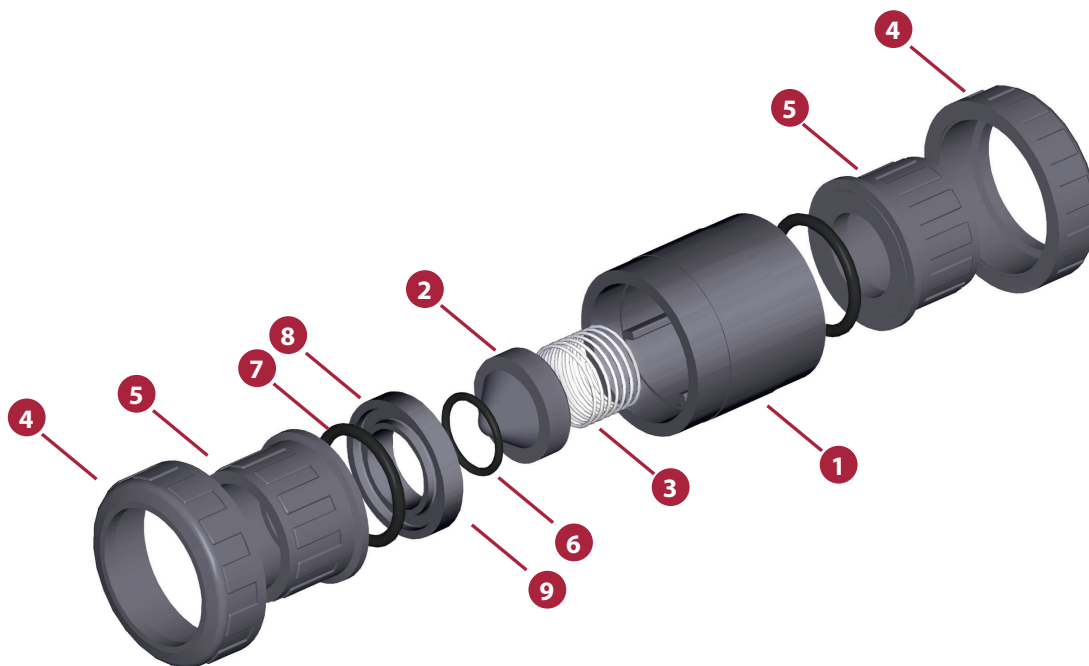
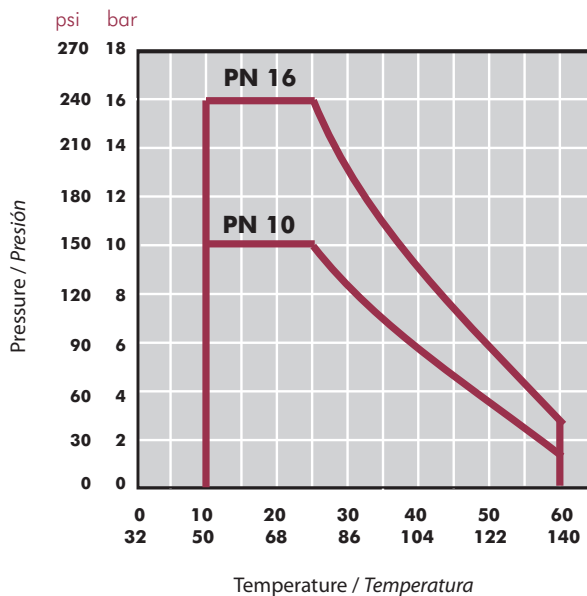


FIG.	Parts	Despiece	Material
1	Body	Cuerpo	PVC-U
2	Cone	Cono de cierre	PVC-U
3	Spring	Muelle	Stainless Steel AISI 302 / PTFE coated *
4	Union nut	Tuerca	PVC-U
5	End connector	Manguito enlace	PVC-U
6	Cone o-ring	Junta cono	EPDM / FPM
7	End connector o-ring	Junta manguito	EPDM / FPM
8	Seal-carrier	Portajuntas	PVC-U
9	Body o-ring	Junta cuerpo	EPDM / FPM

PRESSURE / TEMPERATURE GRAPH
DIAGRAMA PRESIÓN / TEMPERATURA

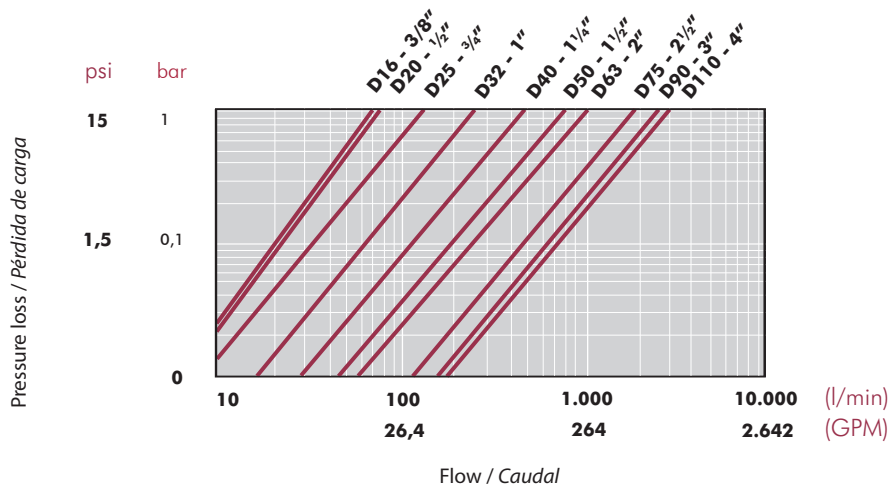


Life: 25 years
 Hydrostatic maximum pressure a component may withstand in continuous service (without overpressure)

Vida útil: 25 años
Presión hidrostática máxima que un componente es capaz de soportar en servicio continuo (sin sobrepresión)

PRESSURE LOSS DIAGRAM

DIAGRAMA DE PÉRDIDAS DE CARGA



RELATIVE FLOW

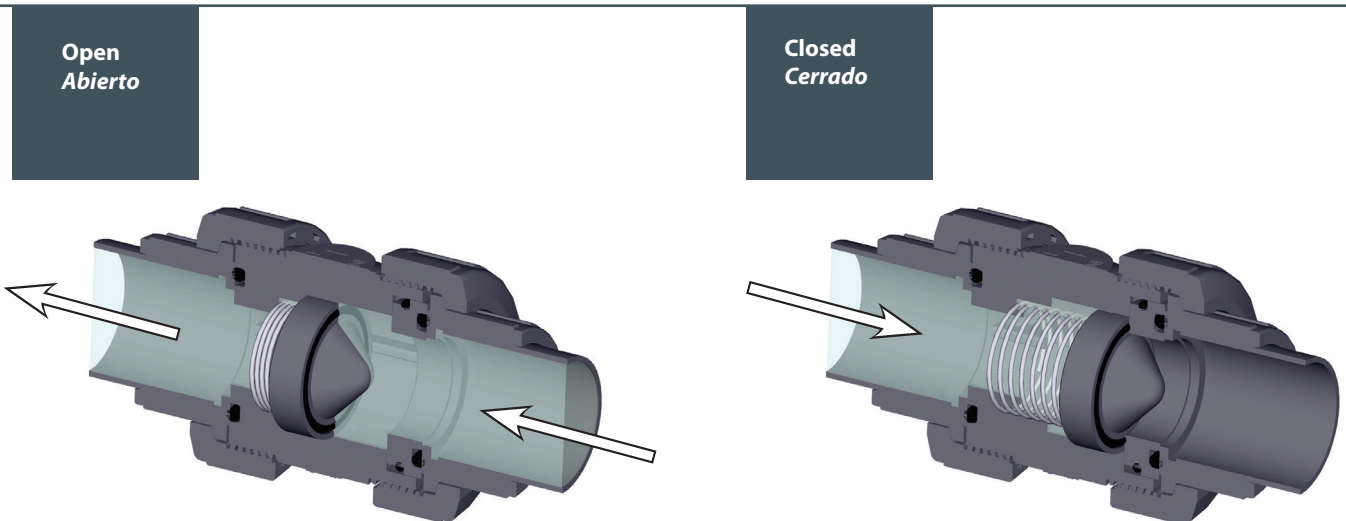
FLUJO RELATIVO

D	20-1/2"	25-3/4"	32-1"	40-1 1/4"	50-1 1/2"	63-2"	75-2 1/2"
DN	15	20	25	32	40	50	65
Kv ₁₀₀	68	133	208	383	667	850	1533
Cv	5	9	15	27	47	60	107

$Cv = Kv_{100} / 14,28$
 Kv_{100} (l/min, $\Delta p = 1$ bar)
 Cv (GPM, $\Delta p = 1$ psi)

Relative flow in fully open valve (maximum opening)

Flujo relativo en válvula completamente abierta (apertura máxima)



OPENING PRESSURE

PRESIÓN DE APERTURA

Minimum pressure: opening start
Maximum pressure: open valve

Minimum pressure: opening start
Maximum pressure: open valve

D	P (bar) Minimum opening	P (bar) Maximum opening	P (psi) Minimum opening	P (psi) Maximum opening
20	0,11	0,19	1,57	2,71
25	0,035	0,067	0,5	0,95
32	0,042	0,077	0,6	1,1
40	0,038	0,069	0,54	0,98
50	0,063	0,088	0,9	1,25
63	0,038	0,060	0,54	0,85
75	0,031	0,060	0,44	0,85
90	0,025	0,060	0,35	0,85

ASSEMBLY INSTRUCTIONS

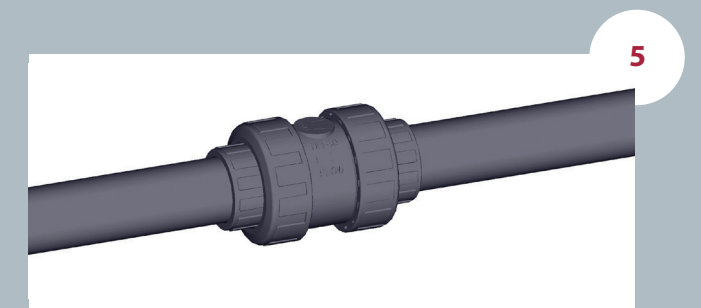
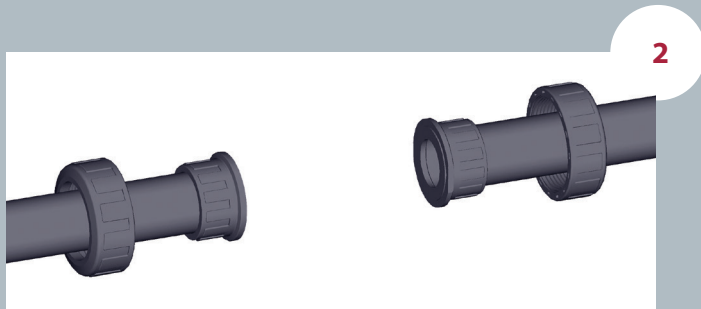
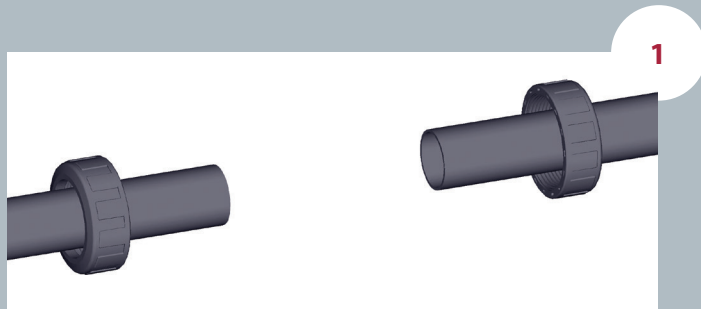
Solvent socket or threaded unions

Loosen the valve union nuts (4) and separate these and the end connectors (5) from the valve body. Pass the pipe through the nuts and then place the bushes over the end of the pipe. The socket unions should be glued onto the pipe using a PVC-U or PVC-C adhesive and pressure should not be applied to the system until a drying period of at least 1 hour per bar of working pressure has elapsed. In the case of threaded unions, PTFE tape should be applied to the male threads. The pipes can now be attached to the valve by hand tightening down the nuts.

INSTRUCCIONES DE MONTAJE

Uniones encoladas o roscadas

Afloje las tuercas (4) de la válvula y sepárelas de los manguitos (5). Introduzca las tuercas en los tubos y a continuación fije los manguitos en los extremos del tubo. Las uniones encoladas se realizarán con un adhesivo para tubos de PVC-U o PVC-C rígido y no se aplicará presión hasta transcurridas al menos 1 hora por bar. En las uniones roscadas se colocará cinta de PTFE en las roscas macho. A continuación ya podrá colocarse la válvula entre los manguitos y apretar a mano las tuercas sobre la válvula.



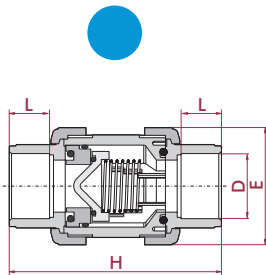
UP-S. 67. SF1. BS - PVC-U SPRING CHECK VALVE

Spring check valve

- PVC-U body
- Female solvent socket
- British Standard series
- O-Rings in EPDM

Válvula anti-retorno

- Cuerpo en PVC-U
- Encolar hembra
- Serie British Standard
- Anillos tóricos en EPDM



D	DN	PN	REF.	CODE
3/8"	10	16	05 67 900	09109
1/2"	15	16	05 67 901	09110
3/4"	20	16	05 67 902	09111
1"	25	16	05 67 903	09112
1 1/4"	32	16	05 67 904	09113
1 1/2"	40	16	05 67 905	09114
2"	50	16	05 67 906	09115
2 1/2"	65	10	05 67 075 ^M	09017
3"	80	10	05 67 908	09117
4"	100	10	05 67 910	09118

L	H	E
16	84	52
16	84	52
19	108	62
22	119	70
26	142	84
31	162	94
38	192	117
44	232	148
51	269	179
61	279	179

PVC-C valves on order
 Válvulas en PVC-C bajo pedido

PVC-U FOOT VALVES - SPRING SERIES

VÁLVULAS DE PIE PVC-U - SERIE MUELLE



Sizes	Solvent cement D16 - D110 (DN10 - DN100) Threaded 3/8" - 4"	
Standards	Solvent socket - Metric, British standard, ASTM, JIS Threaded - BSP, NPT	EN ISO 1452, EN ISO 15493, BS 4346-1, ASTM D 2467, JIS K 6743 ISO 228-1, ASTM D 2464
Working pressure	@ 20°C (73°F) D16-D63 (3/8" - 2"): PN 16 (240 psi) D75 - D110 (2" 1/2 - 4"): PN 10 (150 psi)	
Minimum working pressure		
Materials	O-rings: EPDM / FPM	
Characteristics	<ul style="list-style-type: none"> • May be used either vertically and horizontally. • 100% factory tested. • Easy installation and maintenance. • Available in PVC-U and Corzan® PVC-C. • Resistance to many inorganic chemicals. • Excellent flow characteristics. 	<ul style="list-style-type: none"> • Se pueden usar indistintamente verticalmente o horizontalmente. • Probadas al 100% en fábrica. • Fácil instalación y mantenimiento. • Disponibles en PVC-U y Corzan® PVC-C. • Resistencia a múltiples sustancias químicas inorgánicas. • Excelentes características de conducción.
Certifications / regulations	Check valve design regulation - ISO 16137:2006	

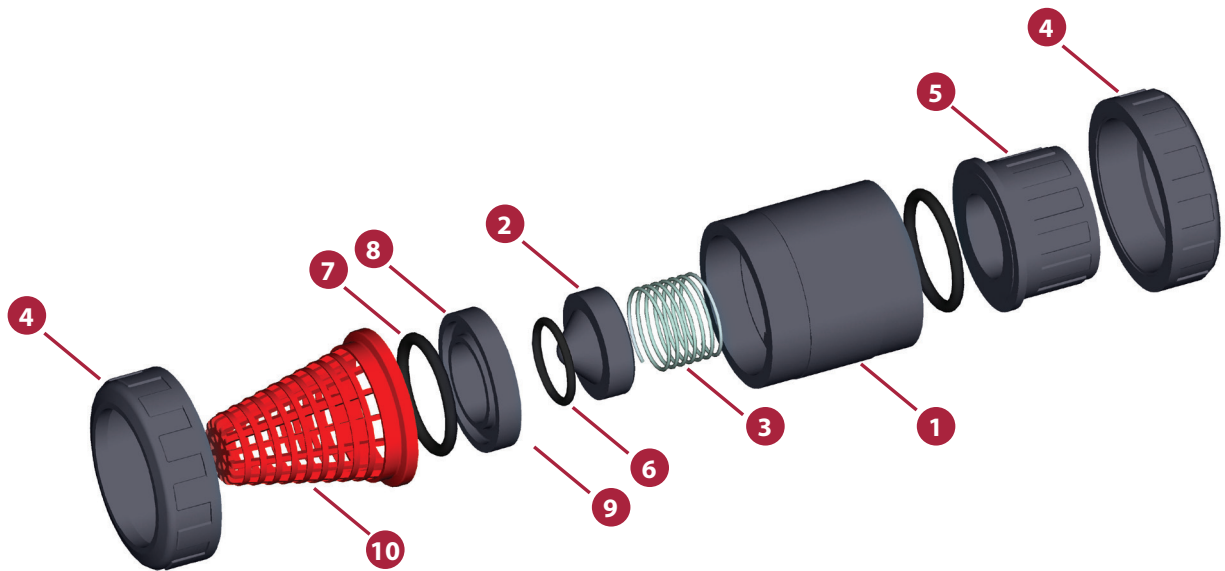
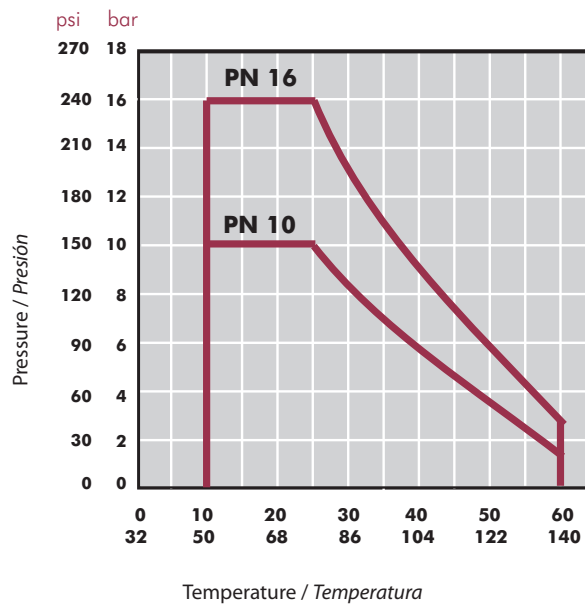


FIG.	Parts	Despiece	Material
1	Body	Cuerpo	PVC-U / PVC-C
2	Cone	Cono de cierre	PVC-U / PVC-C
3	Spring	Muelle	Staniless Steel AISI 302
4	Union nut	Tuerca	PVC-U / PVC-C
5	End connector	Manguito enlace	PVC-U / PVC-C
6	Cone o-ring	Junta cono	EPDM / FPM
7	End connector o-ring	Junta manguito	EPDM / FPM
8	Seal-carrier	Portajuntas	PVC-U / PVC-C
9	Body o-ring	Junta cuerpo	EPDM / FPM
10	Foot valve screen	Rejilla	PP

PRESSURE / TEMPERATURE GRAPH
DIAGRAMA PRESIÓN / TEMPERATURA



Life: 25 years
 Hydrostatic maximum pressure a component may withstand in continuous service (without overpressure)

Vida útil: 25 años
 Presión hidrostática máxima que un componente es capaz de soportar en servicio continuo (sin sobrepresión)

PRESSURE LOSS DIAGRAM
DIAGRAMA DE PÉRDIDAS DE CARGA

D16 - 3/8"		D20 - 1/2"		D25 - 3/4"		D32 - 1"		D40 - 1 1/4"		D50 - 1 1/2"		D63 - 2"		D75 - 2 1/2"		D90 - 3"		D110 - 4"	
A	B	A	B	A	B	A	B	A	B	A	B	A	B	A	B	A	B	A	B
0,42	0,34	0,44	0,34	0,54	0,17	0,35	0,13	3,15	0,13	25,85	0,38	39,80	0,70	50,00	0,40	83,50	0,45	77,2	0,46
0,85	0,52	0,92	0,58	1,06	0,22	1,13	0,18	5,20	0,12	20,70	0,27	34,50	0,48	44,20	0,29	74,80	0,39	67,5	0,36
1,35	0,58	1,60	0,19	1,65	0,15	1,62	0,15	7,35	0,16	17,50	0,19	27,50	0,28	36,50	0,23	64,90	0,31	60,1	0,30
2,08	0,28	2,05	0,18	2,18	0,18	2,02	0,14	9,38	0,21	12,30	0,11	21,15	0,17	30,90	0,20	50,38	0,21	49,6	0,22
2,44	0,34	2,48	0,22	3,21	0,29	2,59	0,14	12,17	0,31	8,86	0,09	12,65	0,09	25,50	0,15	43,08	0,18	41,1	0,18
2,80	0,60	3,10	0,30	3,91	0,38	3,07	0,15	15,05	0,43	3,22	0,09	6,25	0,08	20,35	0,12	35,22	0,14	31,5	0,14
-	-	3,53	0,35	4,32	0,44	3,51	0,16	-	-	-	-	-	-	12,30	0,11	28,75	0,11	24,6	0,13
-	-	-	-	-	-	4,20	0,20	-	-	-	-	-	-	6,27	0,11	18,02	0,08	15,8	0,01
-	-	-	-	-	-	-	-	-	-	-	-	-	-	-	-	8,28	0,11	7,9	0,08
-	-	-	-	-	-	-	-	-	-	-	-	-	-	-	-	-	-	-	-

A = Flow (m³/h)
Caudal (m³/h)

B = Pressure loss (bar)
Pérdida de carga (bar)

OPENING PRESSURE
PRESIÓN DE APERTURA

Minimum pressure: opening start
Maximum pressure: open valve

Minimum pressure: opening start
Maximum pressure: open valve

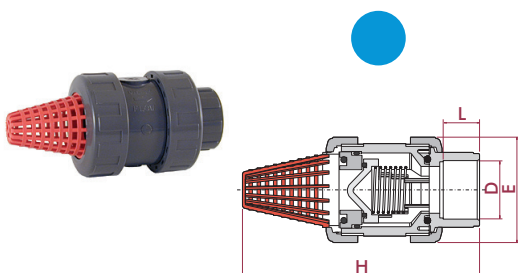
D	P (bar) Minimum opening	P (bar) Maximum opening	P (PSI) Minimum opening	P (PSI) Maximum opening
20	0,11	0,19	1,57	2,71
25	0,035	0,067	0,5	0,95
32	0,042	0,077	0,6	1,1
40	0,038	0,069	0,54	0,98
50	0,063	0,088	0,9	1,25
63	0,038	0,060	0,54	0,85
75	0,031	0,060	0,44	0,85
90	0,025	0,060	0,35	0,85

UP-S. 66. SF1. BS - PVC-U SPRING FOOT CHECK VALVE
Foot valve

- PVC-U body
- Female solvent socket
- British Standard series
- O-Rings in EPDM

Válvula de pie

- Cuerpo en PVC-U
- Encolar hembra
- Serie British Standard
- Anillos tóricos en EPDM



D	DN	PN	REF.	CODE
3/8"	10	16	05 66 900	09099
1/2"	15	16	05 66 901	09100
3/4"	20	16	05 66 902	09101
1"	25	16	05 66 903	09102
1 1/4"	32	16	05 66 904	09103
1 1/2"	40	16	05 66 905	09104
2"	50	16	05 66 906	09105
2 1/2"	65	10	05 66 075 ^M	08997
3"	80	10	05 66 908	09107
4"	100	10	05 66 910	09108

L	H	E
16	107	52
16	107	52
19	130	62
22	154	70
26	176	84
31	202	94
38	239	117
44	306	148
51	362	179
61	367	179

PVC-U CHECK VALVES - UNIBLOCK SERIES

VÁLVULAS ANTI-RETORNO PVC-U - SERIE UNIBLOCK



Sizes	Solvent cement D20 - D110 (DN15 - DN100) Threaded ½" - 4"	
Standards	Solvent socket - Metric Threaded - BSP	EN ISO 1452, EN ISO 15493 ISO 228-1
Working pressure	@ 20°C (73°F) D20-D63 (½" - 2"): PN 16 (240 psi) D75 - D110 (2½" - 4"): PN 10 (150 psi)	
Minimum working pressure		
Materials	O-rings: EPDM	
Characteristics	<ul style="list-style-type: none"> • May be used either vertically and horizontally. • 100% factory tested. • Easy installation and maintenance. • Available in PVC-U. • Resistance to many inorganic chemicals. • Excellent flow characteristics. 	<ul style="list-style-type: none"> • Se pueden usar indistintamente verticalmente o horizontalmente. • Probadas al 100% en fábrica. • Fácil instalación y mantenimiento. • Disponibles en PVC-U. • Resistencia a múltiples sustancias químicas inorgánicas. • Excelentes características de conducción.
Certifications / regulations	Check valve design regulation - ISO 16137:2006	

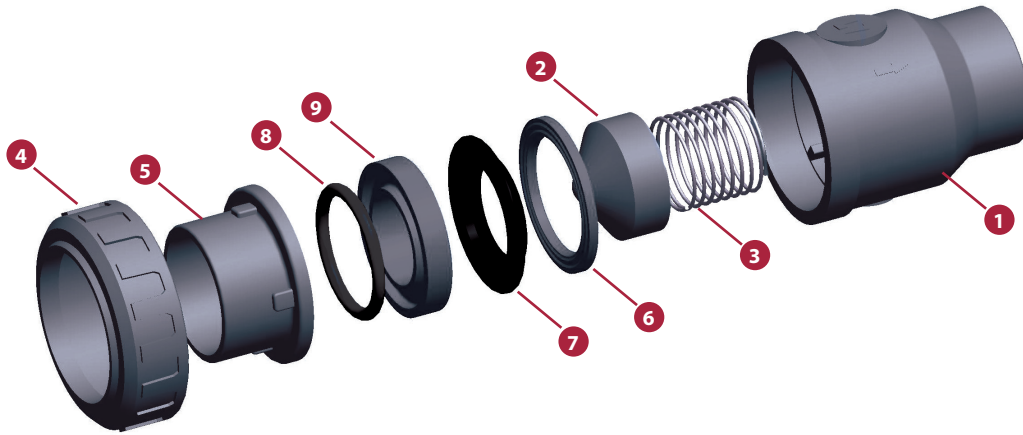
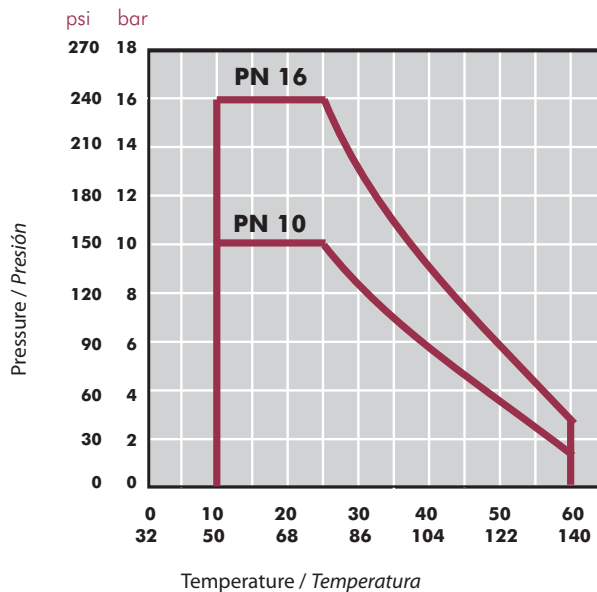


FIG.	Parts	Despiece	Material
1	Body	Cuerpo	PVC-U
2	Cone	Cono de cierre	PVC-U
3	Spring	Muelle	Stainless steel AISI 302
4	Union nut	Tuerca	PVC-U
5	End connector	Manguito enlace	PVC-U
6	Cone o-ring	Junta cono	EPDM
7	Body o-ring	Junta cuerpo	EPDM
8	End connector o-ring	Junta manguito	EPDM
9	Seal-carrier	Portajuntas	PVC-U

PRESSURE / TEMPERATURE GRAPH
DIAGRAMA PRESIÓN / TEMPERATURA

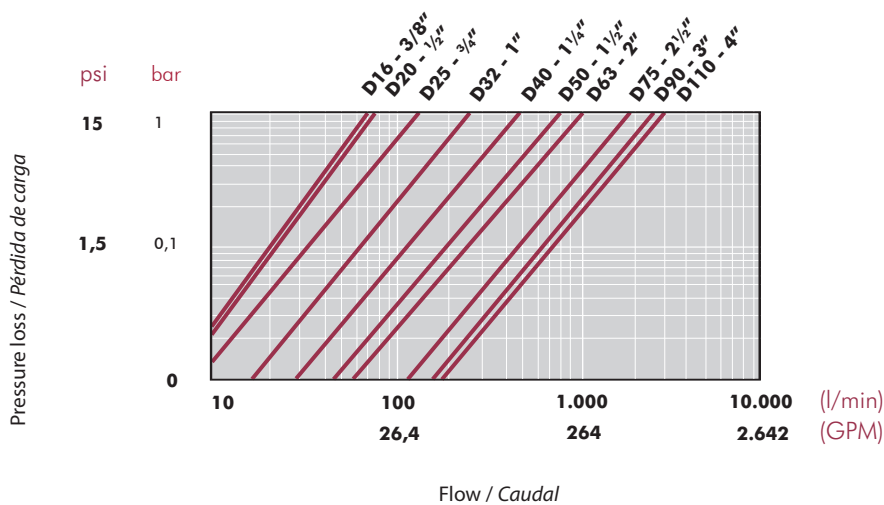


Life: 25 years
 Hydrostatic maximum pressure a component may withstand in continuous service (without overpressure)

Vida útil: 25 años
 Presión hidrostática máxima que un componente es capaz de soportar en servicio continuo (sin sobrepresión)

PRESSURE LOSS DIAGRAM

DIAGRAMA DE PÉRDIDAS DE CARGA



RELATIVE FLOW

FLUJO RELATIVO

D	20-1/2"	25-3/4"	32-1"	40-1 1/4"	50-1 1/2"	63-2"	75-2 1/2"	90-3"	110-4"
DN	15	20	25	32	40	50	65	80	100
Kv ₁₀₀	68	133	208	383	667	850	1533	1160	1200
Cv	5	9	15	27	47	60	107	81,2	84

$Cv = Kv_{100} / 14,28$
 Kv_{100} (l/min, Δp = 1 bar)
 Cv (GPM, Δp = 1 psi)

Relative flow in fully open valve (maximum opening)
 Flujo relativo en válvula completamente abierta (apertura máxima)

OPENING PRESSURE

PRESIÓN DE APERTURA

Minimum pressure: opening start
 Maximum pressure: fully open valve

Presión mínima: inicio apertura
 Presión máxima: válvula completamente abierta

D	P (bar) Minimum opening	P (bar) Maximum opening	P (psi) Minimum opening	P (psi) Maximum opening
20	0,11	0,19	1,57	2,71
25	0,035	0,067	0,5	0,95
32	0,042	0,077	0,6	1,1
40	0,038	0,069	0,54	0,98
50	0,063	0,088	0,9	1,25
63	0,038	0,060	0,54	0,85
75	0,031	0,060	0,44	0,85
90	0,025	0,060	0,35	0,85

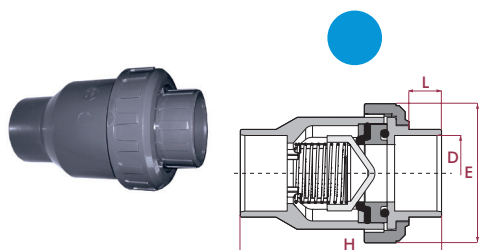
UP-B. **67**. SF1. BS - PVC-U UNIBLOCK CHECK VALVE

Uniblock check valve

- PVC-U body
- Female solvent socket
- British Standard series
- O-rings in EPDM

Válvula anti-retorno Uniblock

- Cuerpo en PVC-U
- Encolar hembra
- Serie British Standard
- Anillos tóricos en EPDM



D	DN	PN	REF.	CODE
1/2"	15	16	05 93 901	36770
3/4"	20	16	05 93 902	36771
1"	25	16	05 93 903	36772
1 1/4"	32	16	05 93 904	36773
1 1/2"	40	16	05 93 905	36774
2"	50	16	05 93 906	36775
2 1/2"	65	10	05 93 075	36565
3"	80	10	05 93 908	36776
4"	100	10	05 93 911	36777

L	H	E
16	81	52
19	103	60
22	117	69
26	135	84
31	135	94
38	169	116
44	220	128
51	256	178
63	331	228

PVC-U CHECK VALVES - BALL SERIES

VÁLVULAS ANTI-RETORNO PVC-U - SERIE BOLA



Sizes	Solvent cement D20 - D110 (DN15 - DN100) Threaded ½" - 4"	
Standards	Solvent socket - Metric, British standard, ASTM, JIS Threaded - BSP, NPT	EN ISO 1452, EN ISO 15493, BS 4346-1, ASTM D 2467, JIS K 6743 ISO 228-1, ASTM D 2464
Working pressure	@ 20°C (73°F) D20-D63 (½" - 2"): PN 16 (240 psi) D75 - D110 (2½" - 4"): PN 10 (150 psi)	
Minimum return pressure	0,2 bar (3 psi) Minimal downstream pressure to keep the valve closed in horizontal position. Presión mínima aguas abajo para mantener la válvula cerrada en caso de instalación horizontal.	
Materials	O-rings: EPDM / FPM	
Characteristics	<ul style="list-style-type: none"> • Completely made in plastic - corrosion free. • 100% factory tested. • Excellent flow rate. • Easy installation and maintenance. • May be used either vertically and horizontally. • Available in PVC-U and Corzan® PVC-C. • Resistance to many inorganic chemicals. • Excellent flow characteristics. 	<ul style="list-style-type: none"> • Fabricada completamente en plástico - libre de corrosión. • Probadas al 100% en fábrica. • Excelente coeficiente de caudal. • Fácil instalación y mantenimiento. • Se pueden usar indistintamente verticalmente o horizontalmente. • Disponibles en PVC-U y Corzan® PVC-C. • Resistencia a múltiples sustancias químicas inorgánicas. • Excelentes características de conducción.
Certifications / regulations	Check valve design regulation - ISO 16137:2006	

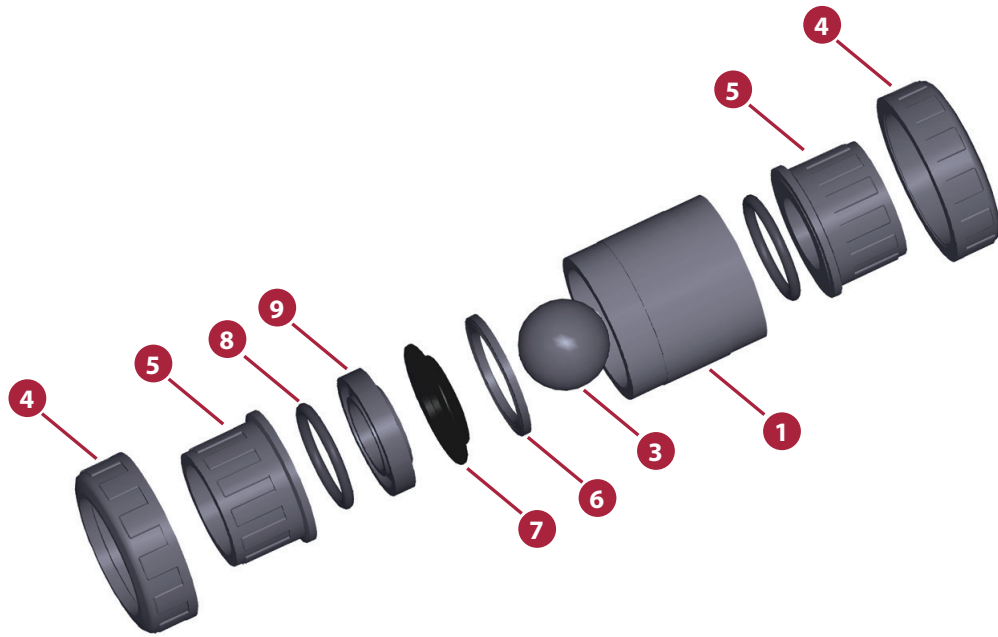
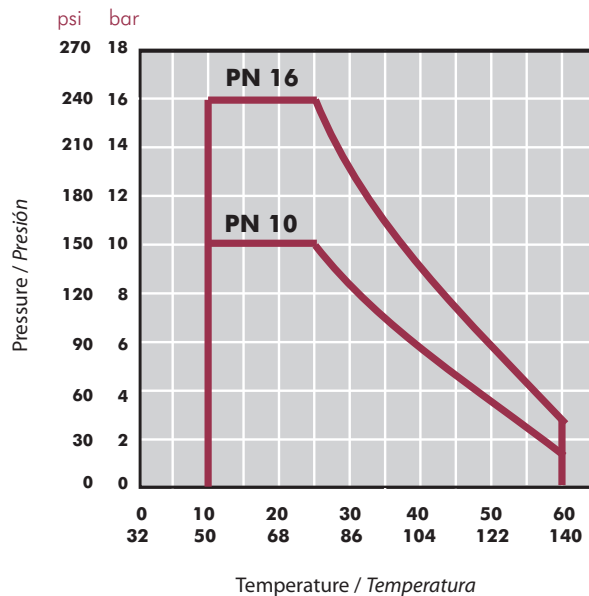


FIG.	Parts	Despiece	Material
1	Body	Cuerpo	PVC-U
3	Ball	Bola	PVC-U
4	Union nut	Tuerca	PVC-U
5	End connector	Manguito enlace	PVC-U
6	Closing ring	Anillo de cierre	PVC-U
7	Body o-ring	Junta cuerpo	EPDM / FPM
8	End connector o-ring	Junta manguito	EPDM / FPM
9	Seal-carrier	Portajuntas	PVC-U

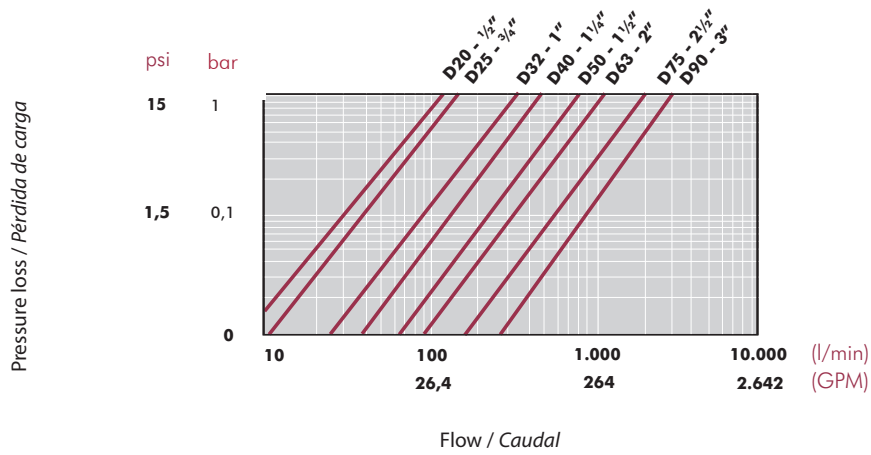
PRESSURE / TEMPERATURE GRAPH
DIAGRAMA PRESIÓN / TEMPERATURA



Life: 25 years
 Hydrostatic maximum pressure a component may withstand in continuous service (without overpressure)

Vida útil: 25 años
 Presión hidrostática máxima que un componente es capaz de soportar en servicio continuo (sin sobrepresión)

PRESSURE LOSS DIAGRAM
DIAGRAMA DE PÉRDIDAS DE CARGA



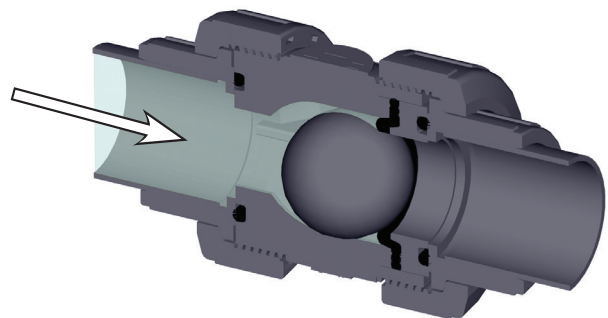
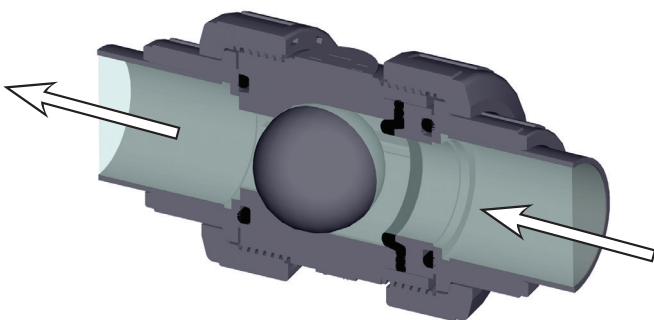
RELATIVE FLOW
FLUJO RELATIVO

D	20-1/2"	25-3/4"	32-1"	40-1 1/4"	50-1 1/2"	63-2"	75-2 1/2"	90-3"
DN	15	20	25	32	40	50	65	80
Kv_{100}	99	128	308	453	795	1040	1932	2754
Cv	7	9	22	32	56	73	135	193

$Cv = Kv_{100} / 14,28$
 Kv_{100} (l/min, $\Delta p = 1$ bar)
 Cv (GPM, $\Delta p = 1$ psi)

Open
Abierto

Closed
Cerrado



ASSEMBLY INSTRUCTIONS

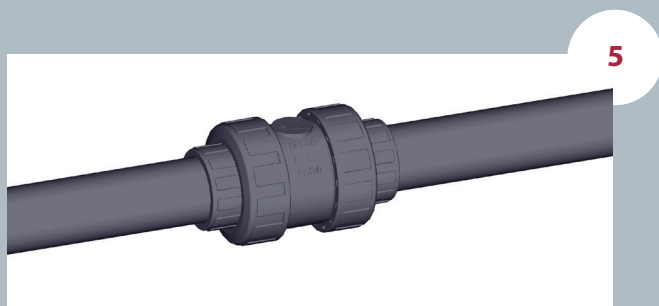
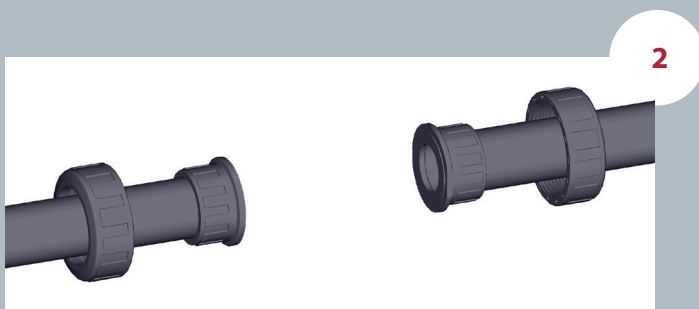
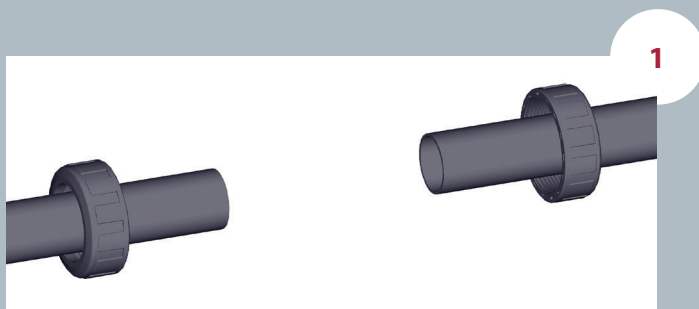
Solvent socket or threaded unions

Loosen the valve union nuts (4) and separate these and the end connectors (5) from the valve body. Pass the pipe through the nuts and then place the bushes over the end of the pipe. The socket unions should be glued onto the pipe using a PVC-U or PVC-C adhesive and pressure should not be applied to the system until a drying period of at least 1 hour per bar of working pressure has elapsed. In the case of threaded unions, PTFE tape should be applied to the male threads. The pipes can now be attached to the valve by hand tightening down the nuts.

INSTRUCCIONES DE MONTAJE

Uniones encoladas o roscadas

Afloje las tuercas (4) de la válvula y sepárelas de los manguitos (5). Introduzca las tuercas en los tubos y a continuación fije los manguitos en los extremos del tubo. Las uniones encoladas se realizarán con un adhesivo para tubos de PVC-U o PVC-C rígido y no se aplicará presión hasta transcurridas al menos 1 hora por bar. En las uniones roscadas se colocará cinta de PTFE en las roscas macho. A continuación ya podrá colocarse la válvula entre los manguitos y apretar a mano las tuercas sobre la válvula.



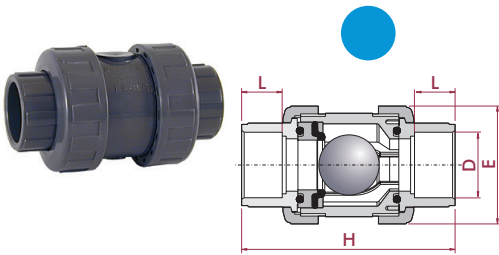
UP-B. **67**. SF1. BS - PVC-U BALL CHECK VALVE

Ball check valve

- PVC-U body
- Female solvent socket
- British Standard series
- O-rings in EPDM

Válvula anti-retorno de bola

- Cuerpo en PVC-U
- Encolar hembra
- Serie British Standard
- Anillos tóricos en EPDM



D	DN	PN	REF.	CODE
½"	15	16	05 67 901 E	33010
¾"	20	16	05 67 902 E	33011
1"	25	16	05 67 903 E	33012
1¼"	32	16	05 67 904 E	33013
1½"	40	16	05 67 905 E	33014
2"	50	16	05 67 906 E	33015

L	H	E
16	84	52
19	108	62
22	119	70
26	142	84
31	162	94
38	192	117

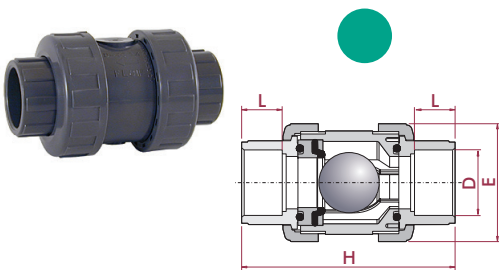
 UP-B. **67**. SF4. BS - PVC-U BALL CHECK VALVE

Ball check valve

- PVC-U body
- Female solvent socket
- British Standard series
- O-rings in FPM

Válvula anti-retorno de bola

- Cuerpo en PVC-U
- Encolar hembra
- Serie British Standard
- Anillos tóricos en FPM



D	DN	PN	REF.	CODE
½"	15	16	05 67 901 VE	33016
¾"	20	16	05 67 902 VE	33017
1"	25	16	05 67 903 VE	33018
1¼"	32	16	05 67 904 VE	33019
1½"	40	16	05 67 905 VE	33020
2"	50	16	05 67 906 VE	33021

L	H	E
16	84	52
19	108	62
22	119	70
26	142	84
31	162	94
38	192	117

... the most **complete** range
 ... la gama más **completa**

	Body <i>Cuerpo</i>	Disc <i>Compuerta</i>	Rubber seal <i>Junta compuerta</i>	Shaft <i>Eje</i>	Sizes <i>Medidas</i>	PN
--	-----------------------	--------------------------	---------------------------------------	---------------------	-------------------------	----

Industrial Series

PP - GR

PVC-U
PVC-C

EPDM perox.
FPM

Stainless steel

D63 - D225
(2" - 8")

10 bar
150 psi

PP handle with locking device

63 - 75

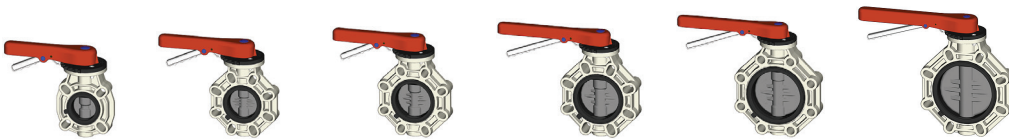
90

110

125 - 140

160

200 - 225



Industrial Series

PP - GR

PVC-U
PVC-C

EPDM perox.
FPM

Stainless steel

D63 - D225
(2" - 8")

10 bar
150 psi

Gear box

D250 - D315
(10" - 12")

6 bar
90 psi

63 - 75

90

110

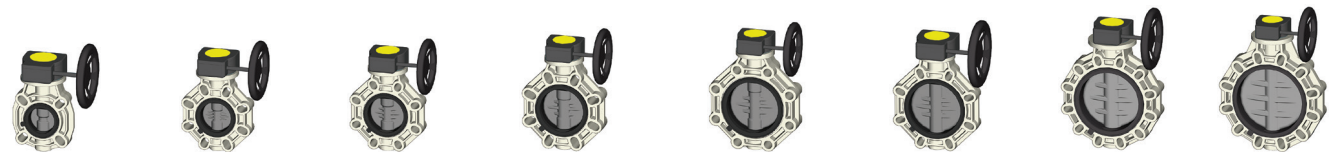
125 - 140

160

200 - 225

250 - 280

315



Standard Series

PVC-U
PP-GF (D250-D315)

PVC-U

EPDM
FPM

Zinc plated steel

D63 - D225
(2" - 8")

10 bar
150 psi

PP handle with locking device

D250 - D315
(10" - 12")

6 bar
90 psi

63 - 75

90

110

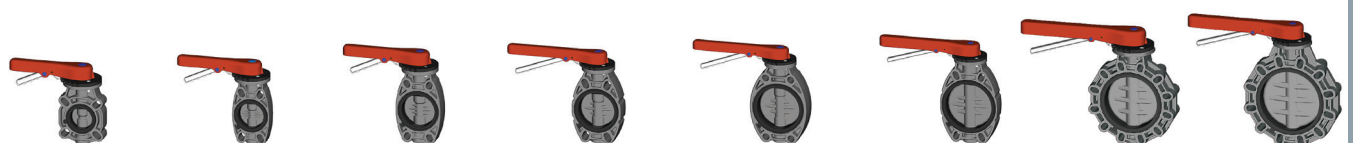
125 - 140

160

200 - 225

250 - 280

315



Classic Series

PVC-U

PVC-U

EPDM
FPM

Stainless steel
Zinc plated steel

D63 - D140
(2" - 5")

10 bar
150 psi

Aluminium handle

D160 - D250
(6" - 10")

6 bar
90 psi

63 - 75

90

110

125 - 140

160

200 - 225

250



PVC-U BUTTERFLY VALVES - STANDARD SERIES

VÁLVULAS DE MARIPOSA PVC-U - SERIE STANDARD



Sizes	D63 - D315 (DN50 - DN300) 2" - 12" (DN50 - DN300)	
Standards	ISO/DIN, British Standard, ANSI/ASTM, JIS	EN 558-1 BS EN 1092-1 ANSI B.16.5 class 150 JIS B 2220
Working pressure	@ 20°C (73°F) D63-D225 (2" - 8"): PN 10 (150 psi) D250 - D315 (10" - 12"): PN 6 (90 psi)	
Materials	Gasket: EPDM / FPM	Shaft: Zinc plated steel
Characteristics	<ul style="list-style-type: none"> • Ideally suited for flow control using minimal piping space. • 100% factory tested. • Minimal pressure drop. • Low maintenance. • Resistance to many inorganic chemicals. • Regulable opening every 15° with position holding. • Good mechanical strength. • One piece PVC-U body (PP-GF in D250-D315). • New disc design in PVC-U • Non-wetted zinc plated steel shaft. • Ideally suited for irrigation installations or swimming pools. 	<ul style="list-style-type: none"> • Ideal para el control del fluido usando poco espacio. • Testadas al 100% en fábrica. • Mínima pérdida de carga. • Resistencia a múltiples sustancias químicas inorgánicas. • Apertura regulable cada 15° con fijación de posición. • Buena resistencia mecánica. • Cuerpo de una sola pieza en PVC-U (PP-GF en D250-D315). • Nuevo diseño de compuerta en PVC-U. • Eje en acero zincado que no entra en contacto con el fluido. • Ideal para instalaciones de riego o en piscinas.
Certifications / regulations	Butterfly valve design regulation - ISO-1452-4	

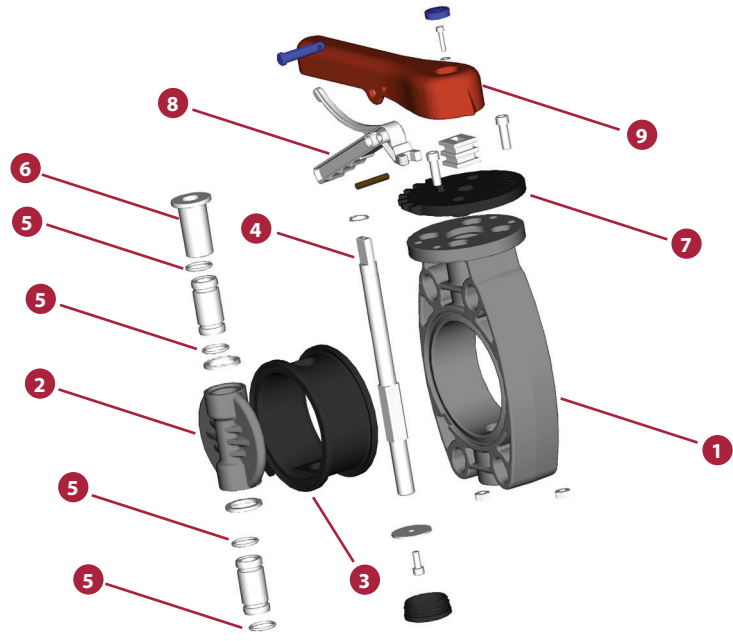
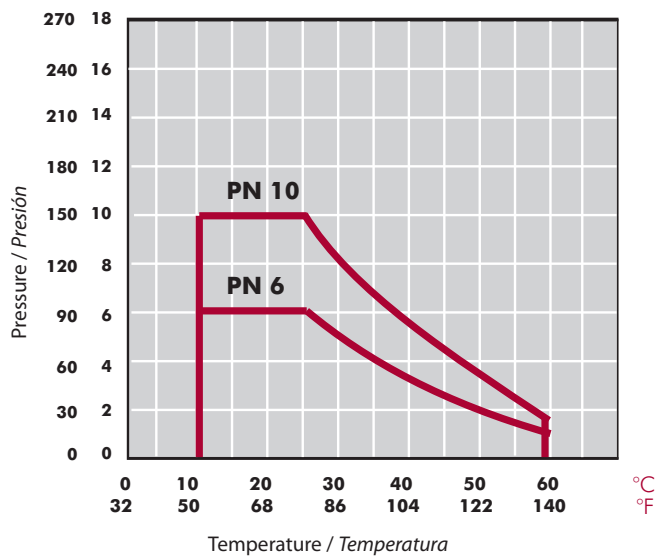


FIG.	Parts	Despiece	Material
1	Body	Cuerpo	PVC-U / PP-GF (D250-D315)
2	Valve disc	Compuerta	PVC-U
3	Rubber seal	Junta compuerta	EPDM / FPM
4	Shaft	Eje	Zinc plated steel
5	O-ring seal	Junta eje	EPDM / FPM
6	Top bearing	Casquillo guía	PP - GF
7	Throttle plate	Conjunto divisor	POM
8	Lever-lock	Gatillo de la maneta	POM
9	Handle	Maneta	PP - GF

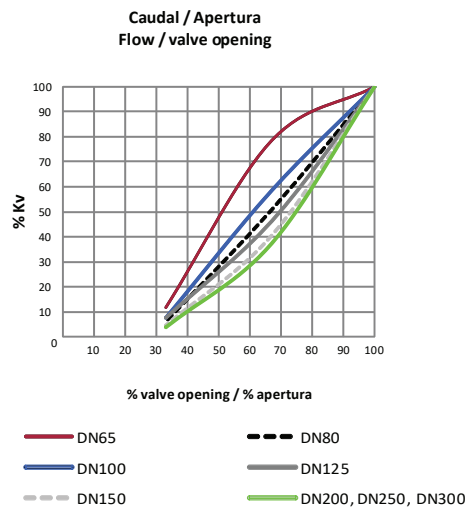
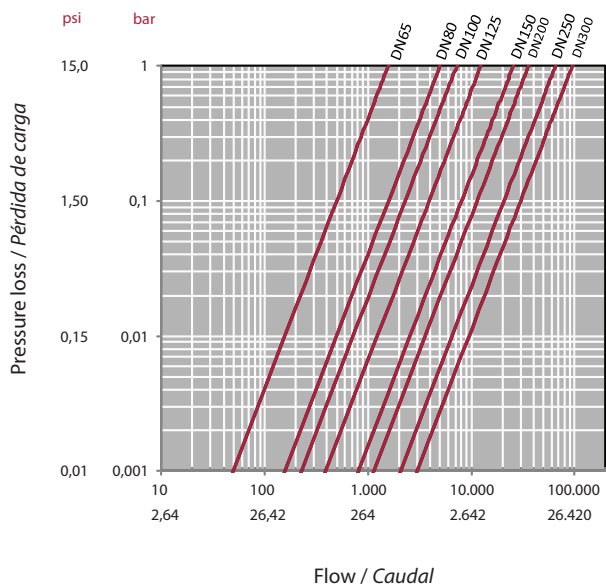
PRESSURE / TEMPERATURE GRAPH
DIAGRAMA PRESIÓN / TEMPERATURA



Life: 25 years
 Hydrostatic maximum pressure a component may withstand in continuous service (without overpressure)

Vida útil: 25 años
Presión hidrostática máxima que un componente es capaz de soportar en servicio continuo (sin sobrepresión)

PRESSURE LOSS DIAGRAM
DIAGRAMA DE PÉRDIDAS DE CARGA



RELATIVE FLOW
FLUJO RELATIVO

D	63-75 (2½")	90 (3")	110 (4")	125-140 (5")	160 (6")	200-225 (8")	250-280 (10")	315 (12")
DN	50 - 65	80	100	125	150	200	250	300
Kv100	1.568	4.980	7.212	12.320	25.447	35.778	65.222	94.660
Cv	110	349	505	863	1.134	2.505	4.567	6.629

$Cv = Kv_{100} / 14,28$
 Kv_{100} (l/min, $\Delta p = 1$ bar)
 Cv (GPM, $\Delta p = 1$ psi)

OPERATIONAL TORQUE CHART
TABLA DE PAR DE MANIOBRA

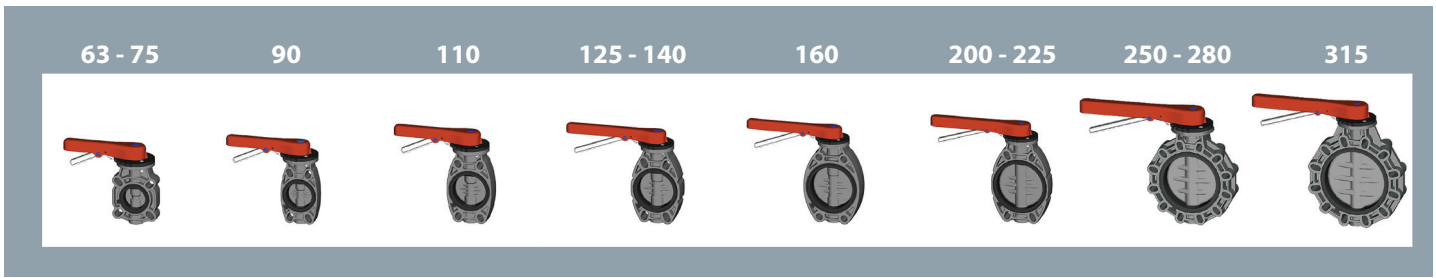
D	63-75 (2½")	90 (3")	110 (4")	125-140 (5")	160 (6")	200-225 (8")	250-280 (10")	315 (12")
DN	50 - 65	80	100	125	150	200	250	300
Nm	25	28	35	85	110	110	180	250
lb*inch	221	248	310	752	974	974	1593	2213

Operating torque values at rated pressure (PN) and 20 °C in as new direct from the factory condition. Installation and operating conditions (pressure and temperature) will affect these values.

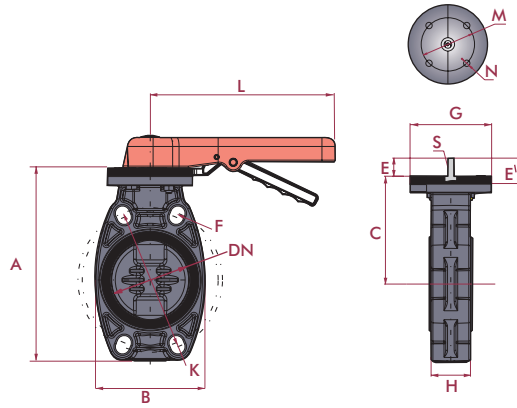
Los valores de par de giro se determinan a presión nominal (PN) y a 20 °C, en condiciones de salida de fábrica. Las condiciones de instalación y operación (presión y temperatura) afectarán a estos valores.

TIGHTENING TORQUE (INSTALLATION)
PAR DE APRIETE (INSTALACIÓN)

D	63-75 (2½")	90 (3")	110 (4")	125-140 (5")	160 (6")	200-225 (8")	250-280 (10")	315 (12")
DN	50 - 65	80	100	125	150	200	250	300
Screws	4xM16x120	4xM16x150	4xM16x160	4xM16x170	4xM20x200	4xM20x210	12xM20x270	12xM20x310
(N·m)	25	25	30	35	40	50	80	80
(inch·lbs)	221	221	265	310	354	442	708	708



DIMENSIONS
DIMENSIONES



D	DN	A	B	C	E	F	G	H	K	L	M	N	E'	S	holes
63-75	50 - 65	201	135	120	40	18	112	48	125-145	220	70	9	35	10	4
90	80	232	122	136	40	19	112	52	150-169,5	245	70	9	35	12	4
110	100	255	145	148	40	19	112	59	180-191,5	245	70	9	35	16	4
125-140	125	284	175	164	40	22	112	66	190-215	320	70	9	35	20	4
160	150	314	209	180	40	24	112	72	240	320	70	9	35	20	4
200-225	200	378	248	217	50	23	136	73	270-298	391	102	11	47	26	4
250-280	250	476	400	276	23	25	192	114	355-362	501	155-102	11	49	34	12
315	300	566	476	328	23	29	192	114	390-432	501	155-102	11	49	34	12

UP. 83. ZP. EP - STANDARD BUTTERFLY VALVES

Butterfly valve

- PVC-U body
- Blue dot
- Joints in EPDM
- Zinc plated steel shaft
- Disc in PVC-U
- PP handle

Válvula de mariposa

- Cuerpo en PVC-U
- Distintivo azul
- Juntas EPDM
- Eje en acero zincado
- Compuerta de PVC-U
- Maneta en PP



D	DN	PN	REF.	CODE
63 - 75	50 - 65	10	05 83 075	32614
90	80	10	05 83 090	32615
110	100	10	05 83 110	32616
125 - 140	125	10	05 83 140	32617
160	150	10	05 83 160	32618
200 - 225	200	10	05 83 200	32619
250-280	250	6	05 83 250	46647
315	300	6	05 83 315	46648

UP. 83. ZP. VI - STANDARD BUTTERFLY VALVES

Butterfly valve

- PVC-U body
- Green dot
- Joints in FPM
- Zinc plated steel shaft
- Disc in PVC-U
- PP handle

Válvula de mariposa

- Cuerpo en PVC-U
- Distintivo verde
- Juntas FPM
- Eje en acero zincado
- Compuerta de PVC-U
- Maneta en PP



D	DN	PN	REF.	CODE
63 - 75	50 - 65	10	05 83 075 VI	34532
90	80	10	05 83 090 VI	34533
110	100	10	05 83 110 VI	34534
125 - 140	125	10	05 83 140 VI	34535
160	150	10	05 83 160 VI	34536
200 - 225	200	10	50 83 200 VI	34537

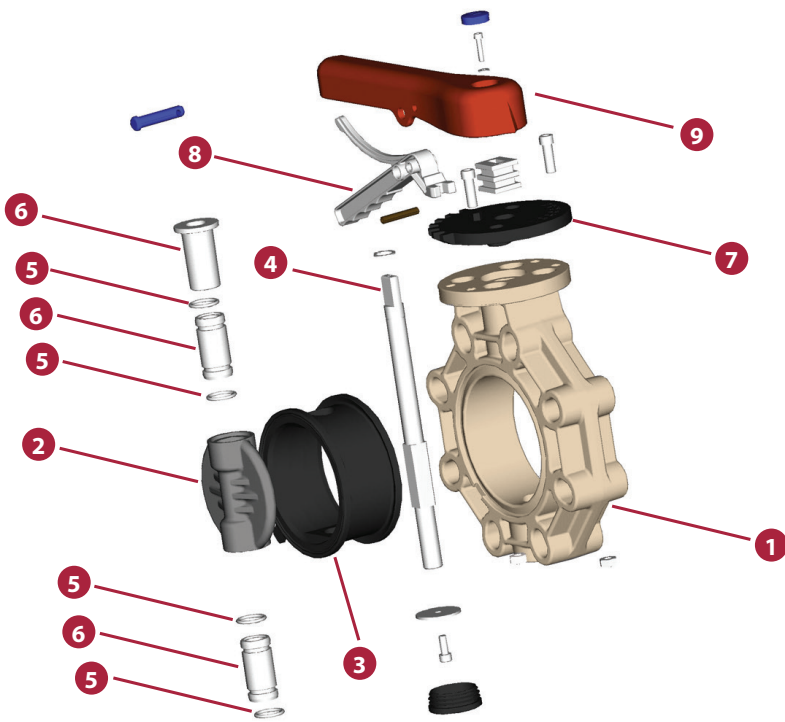
PVC-U BUTTERFLY VALVES - INDUSTRIAL SERIES

VÁLVULAS DE MARIPOSA PVC-U - SERIE INDUSTRIAL



Sizes	D63 - D315 (DN50 - DN300) 2" - 12" (DN50 - DN300)	
Standards	ISO/DIN, British Standard, ANSI/ASTM, JIS	EN 558-1 BS EN 1092-1 ANSI B.16.5 class 150 JIS B 2220
Working pressure	@ 20°C (73°F) D63-D225 (2" - 8"): PN 10 (150 psi) D250 - D315 (10" - 12"): PN 6 (90 psi)	
Materials	Gasket: EPDM perox. / FPM	Shaft: Stainless steel (AISI 630)
Characteristics	<ul style="list-style-type: none"> • One piece PP - GR body. • Disc available in different materials (PVC-U, PVC-C). • Ideally suited for flow control using minimal piping space. • 100% factory tested. • Minimal pressure drop. • Low maintenance. • Resistance to many inorganic chemicals. • Regulable opening every 15° with position holding. • Good mechanical strength. • Built in lockout feature to prevent undesired operations. • Electric and pneumatic actuators available, and with gear box. 	<ul style="list-style-type: none"> • Cuerpo de una sola pieza en PP - GR. • Compuerta disponible en diversos materiales (PVC-U, PVC-C). • Ideal para el control del fluido usando poco espacio. • Testadas al 100% en fábrica. • Mínima pérdida de carga. • Resistencia a múltiples sustancias químicas inorgánicas. • Apertura regulable cada 15° con fijación de posición. • Buena resistencia mecánica. • Seguro incorporado en la maneta para evitar operaciones no deseadas. • Motorizaciones eléctricas, neumáticas y reductor manual disponibles.
Certifications / regulations	Butterfly valve design regulation - ISO 16136	





GEAR BOX

It facilitates the maneuver of the valve by reducing the manual actuation torque by means of a handwheel, in addition to achieving greater precision in the case of regulation. Reduction: 40:1

MATERIALS

- Case: Aluminium
- Shaft: Stainless steel
- Handwheel: Stainless steel

Protection: IP65

REDUCTOR MANUAL

Facilita la maniobra de la válvula reduciendo el par de accionamiento manual mediante un volante, además de conseguir mayor precisión en caso de regulación. Reducción: 40:1

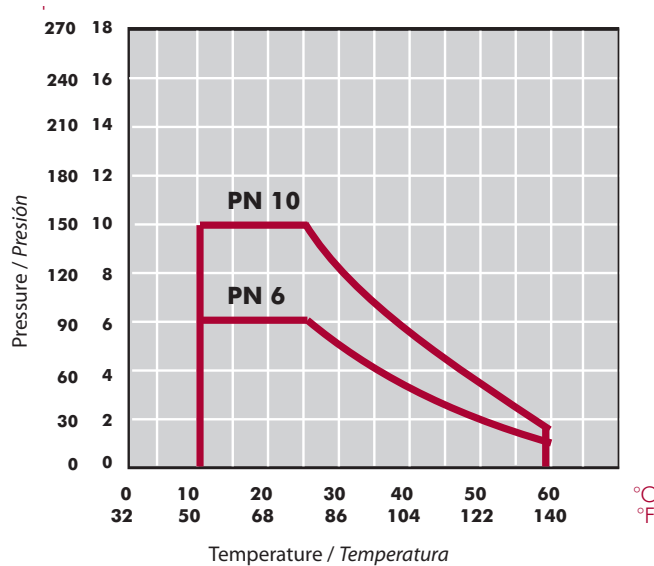
MATERIALES

- Carcasa: Aluminio
- Eje: Acero inoxidable
- Volante: Acero inoxidable

Protección: IP65

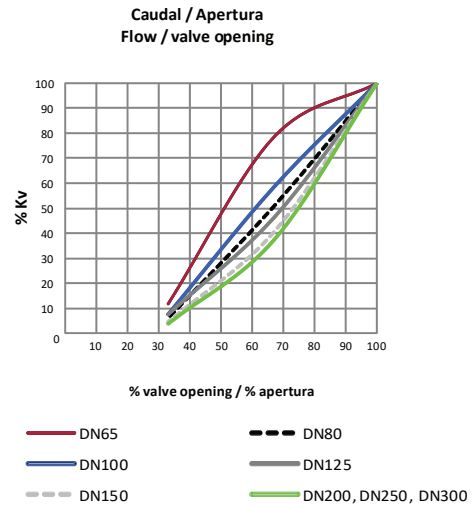
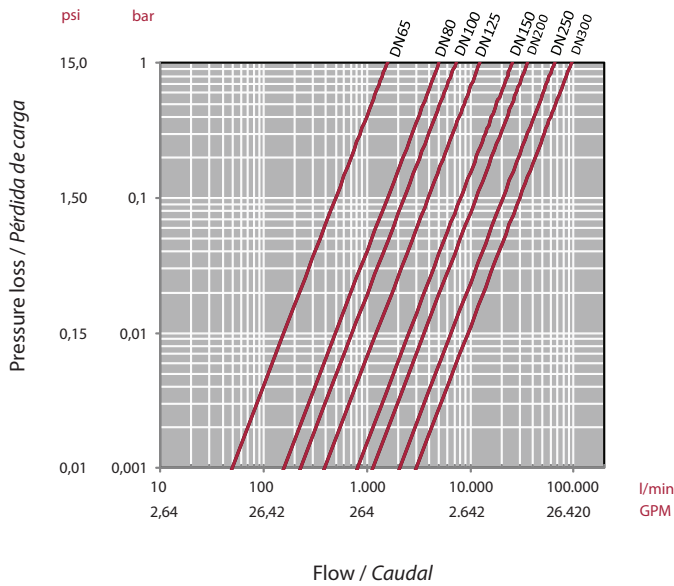
FIG.	Parts	Despiece	Material
1	Body	Cuerpo	PP - GR
2	Valve disc	Compuerta	PVC-U
3	Rubber seal	Junta compuerta	EPDM perox. / FPM
4	Shaft	Eje	AISI 630 stainless steel
5	O-ring seal	Junta eje	EPDM perox. / FPM
6	Top bearing	Casquillo guía	PP - GR
7	Throttle plate	Conjunto divisor	PP - GR
8	Lever-lock	Gatillo de la maneta	POM
9	Handle	Maneta	PP - GR
10	Gear box (optional)	Reductor manual (opcional)	Aluminium

PRESSURE / TEMPERATURE GRAPH
DIAGRAMA PRESIÓN / TEMPERATURA



Life: 25 years
Hydrostatic maximum pressure a component may withstand in continuous service (without overpressure)

Vida útil: 25 años
Presión hidrostática máxima que un componente es capaz de soportar en servicio continuo (sin sobrepresión)

PRESSURE LOSS DIAGRAM
DIAGRAMA DE PÉRDIDAS DE CARGA

RELATIVE FLOW
FLUJO RELATIVO

D	63-75 (2½")	90 (3")	110 (4")	125-140 (5")	160 (6")	200-225 (8")	250-280 (10")	315 (12")
DN	50 - 65	80	100	125	150	200	250	300
Kv100	1.568	4.980	7.212	12.320	25.447	35.778	65.222	94.660
Cv	110	349	505	863	1.134	2.505	4.567	6.629

$$Cv = Kv_{100} / 14,28$$

$$Kv_{100} \text{ (l/min, } \Delta p = 1 \text{ bar)}$$

$$Cv \text{ (GPM, } \Delta p = 1 \text{ psi)}$$

OPERATIONAL TORQUE CHART
TABLA DE PAR DE MANIOBRA

D	63-75 (2½")	90 (3")	110 (4")	125-140 (5")	160 (6")	200-225 (8")	250-280 (10")	315 (12")
DN	50 - 65	80	100	125	150	200	250	300
Nm	25	28	35	85	110	110	180	250
lb*inch	221	248	310	752	974	974	1593	2213

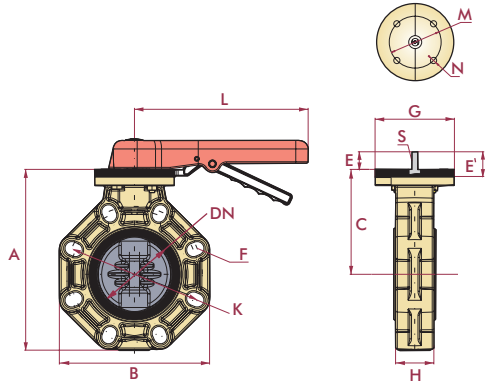
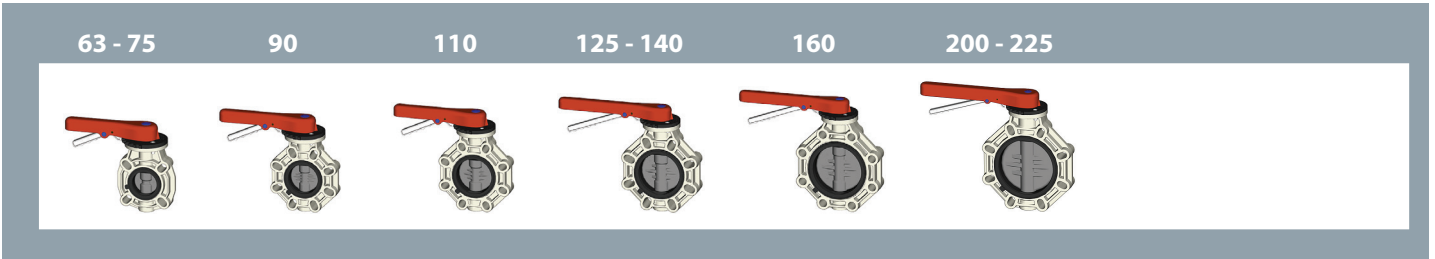
Operating torque values at rated pressure (PN) and 20 °C in as new direct from the factory condition. Installation and operating conditions (pressure and temperature) will affect these values. The actuator that is required for an automatic operation must be calculated according to some safety factors that were determined in life tests carried out in the factory.

Los valores de par de giro se determinan a presión nominal (PN) y a 20 °C, en condiciones de salida de fábrica. Las condiciones de instalación y operación (presión y temperatura) afectarán a estos valores. El actuador requerido para automatizar el giro debe ser calculado teniendo en cuenta ciertos coeficientes de seguridad que han sido determinados en pruebas de fatiga realizadas en fábrica.

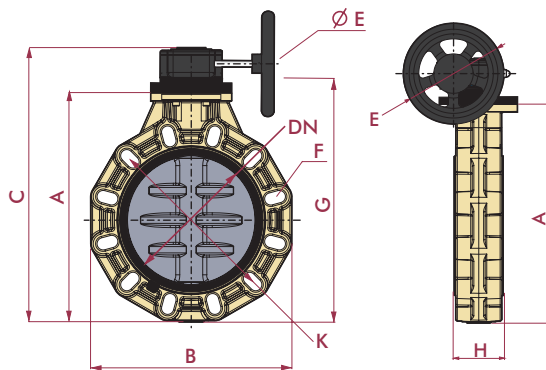
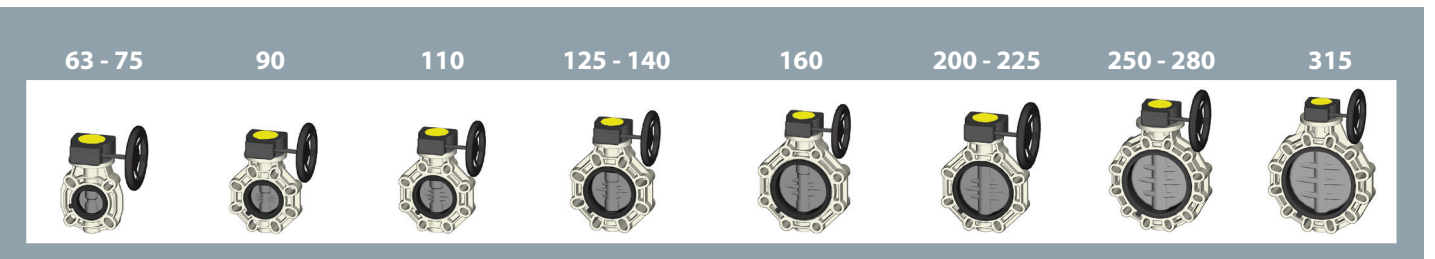
TIGHTENING TORQUE (INSTALLATION)
PAR DE APRIETE (INSTALACIÓN)

D	63-75 (2½")	90 (3")	110 (4")	125-140 (5")	160 (6")	200-225 (8")	250-280 (10")	315 (12")
DN	50 - 65	80	100	125	150	200	250	300
Screws	4xM16x120	8xM16x150	8xM16x160	8xM16x170	8xM20x200	8xM20x210	12xM20x270	12xM20x310
(N·m)	25	25	30	35	40	50	80	80
(inch·lbs)	221	221	265	310	354	442	708	708

DIMENSIONS
DIMENSIONES



D	inch	DN	A	B	C	E	F	H	I	K	L	M	N	holes
63-75	2½"	50 - 65	241	156	120	81	18	45	112	125-145	22	70	9	4
90	3"	80	272	190	136	95	19	48	112	150-170	245	70	9	8
110	4"	100	294	212	148	106	19	54	112	180-192	245	70	9	8
125-140	5"	125	326	238	164	119	22	64	112	190-215	320	70	9	8
160	6"	150	355	265	180	133	24	70	112	240	320	70	9	8
200-225	8"	200	427	320	217	161	23	71	136	270-298	391	102	11	8



D	inch	DN	B	D	E	F	G	H	K	M	N	holes
63-75	2½"	50 - 65	156	203	81	18	125	45	125-145	70	9	4
90	3"	80	190	220	95	19	125	48	150-170	70	9	8
110	4"	100	212	231	106	19	125	54	180-192	70	9	8
125-140	5"	125	238	254	119	22	160	64	190-215	70	9	8
160	6"	150	265	270	133	24	160	70	240	70	9	8
200-225	8"	200	320	320	161	23	160	71	270-298	102	11	8
250-280	10"	250	392	402	199	24	200	112	329-355	-	-	12
315	12"	300	470	421	238	28	200	114	384-427	-	-	12

UP. 84. SS. FGEP - INDUSTRIAL BUTTERFLY VALVES

Butterfly valve

- PP - GR body
- Blue dot
- Joints in EPDM perox.
- Stainless steel shaft (AISI 630)
- Disc in PVC-U
- PP-GR handle



Válvula de mariposa

- Cuerpo en PP - GR
- Distintivo azul
- Juntas EPDM perox.
- Eje en acero inoxidable (AISI 630)
- Compuerta de PVC-U
- Maneta en PP-GR

D	DN	PN	REF.	CODE
63 - 75	50 - 65	10	05 84 075	32620
90	80	10	05 84 090	32621
110	100	10	05 84 110	32622
125 - 140	125	10	05 84 140	32623
160	150	10	05 84 160	32624
200 - 225	200	10	05 84 200	32625

UP. 84. SS. VI - INDUSTRIAL BUTTERFLY VALVES

Butterfly valve

- PP - GR body
- Green dot
- Joints in FPM
- Stainless steel shaft (AISI 630)
- Disc in PVC-U
- PP-GR handle



Válvula de mariposa

- Cuerpo en PP - GR
- Distintivo verde
- Juntas FPM
- Eje en acero inoxidable (AISI 630)
- Compuerta de PVC-U
- Maneta en PP-GR

D	DN	PN	REF.	CODE
63 - 75	50 - 65	10	05 84 075 VI	32628
90	80	10	05 84 090 VI	32629
110	100	10	05 84 110 VI	32630
125 - 140	125	10	05 84 140 VI	32631
160	150	10	05 84 160 VI	32632
200 - 225	200	10	05 84 200 VI	32633

UP. 84. SS. FGEP. RM - INDUSTRIAL BUTTERFLY VALVES

Butterfly valve

- PP - GR body
- Joints in EPDM perox.
- Stainless steel shaft (AISI 630)
- Disc in PVC-U
- Gear box



Válvula de mariposa

- Cuerpo en PP - GR
- Juntas EPDM perox.
- Eje en acero inoxidable (AISI 630)
- Compuerta de PVC-U
- Reductor manual

D	DN	PN	REF.	CODE
63 - 75	50 - 65	10	05 84 075 RM	34466
90	80	10	05 84 090 RM	34467
110	100	10	05 84 110 RM	34468
125 - 140	125	10	05 84 140 RM	34469
160	150	10	05 84 160 RM	34470
200 - 225	200	10	05 84 200 RM	34471
250 - 280	250	6	05 84 250 RM	34472
315	300	6	05 84 315 RM	32738

UP. 84. SS. VI. RM - INDUSTRIAL BUTTERFLY VALVES

Butterfly valve

- PP - GR body
- Joints in FPM
- Stainless steel shaft (AISI 630)
- Disc in PVC-U
- Gear box



Válvula de mariposa

- Cuerpo en PP - GR
- Juntas FPM
- Eje en acero inoxidable (AISI 630)
- Compuerta de PVC-U
- Reductor manual

D	DN	PN.	REF.	CODE
63 - 75	50 - 65	10	05 84 075 VRM	34473
90	80	10	05 84 090 VRM	34474
110	100	10	05 84 110 VRM	34475
125 - 140	125	10	05 84 140 VRM	34476
160	150	10	05 84 160 VRM	34477
200 - 225	200	10	05 84 200 VRM	34478
250 - 280	250	6	05 84 250 VRM	34479
315	300	6	05 84 315 VRM	32739

PVC-C valves on order
Válvulas en PVC-C bajo pedido

PVC-U BUTTERFLY VALVES - CLASSIC SERIES

VÁLVULAS DE MARIPOSA PVC-U - SERIE CLASSIC

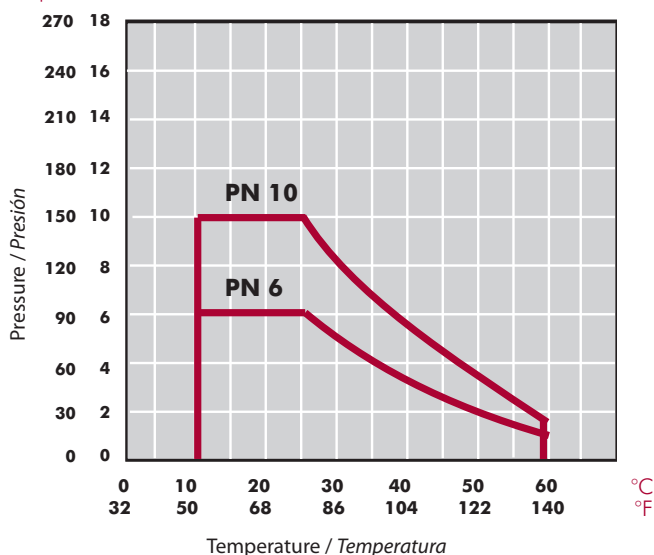


Sizes	D63 - D250 (DN65 - DN200) 2" - 10"	
Standards	ISO/DIN, British Standard, ANSI/ASTM, JIS	EN 558-1 BS EN 1092-1 ANSI B.16.5 class 150 JIS B 2220
Working pressure	@ 20°C (73°F) D63-D140 (2" - 5"): PN 10 (150 psi) D160 - D250 (6" - 10"): PN 6 (90 psi)	
Materials	Gasket: EPDM / FPM	Shaft: Zinc plated steel / Stainless steel (AISI 316)
Characteristics	<ul style="list-style-type: none"> • Ideally suited for flow control using minimal piping space. • 100% factory tested. • Minimal pressure drop. • Low maintenance. • Resistance to many inorganic chemicals. • Excellent flow characteristics. • Good mechanical strength. • PVC-U body. 	<ul style="list-style-type: none"> • Ideal para el control del fluido usando poco espacio. • Testadas al 100% en fábrica. • Mínima pérdida de carga. • Resistencia a múltiples sustancias químicas inorgánicas. • Excelentes características de conducción. • Buena resistencia mecánica. • Cuerpo en PVC-U.
Certifications	Butterfly valve design regulation - ISO-1452-4	



FIG.	Parts	Despiece	Material
1	Body	Cuerpo	PVC-U
2	Valve disc	Compuerta	PVC-U
3	Rubber seal	Junta compuerta	EPDM / FPM
4	Shaft	Eje	AISI 316 stainless steel or zinc plated steel
5	O-ring seal	Junta eje	EPDM / FPM
6	Top bearing	Casquillo guía	PE
7	Throttle plate	Conjunto divisor	Aluminium
8	Lever-lock	Gatillo de la maneta	Aluminium
9	Handle	Maneta	Aluminium

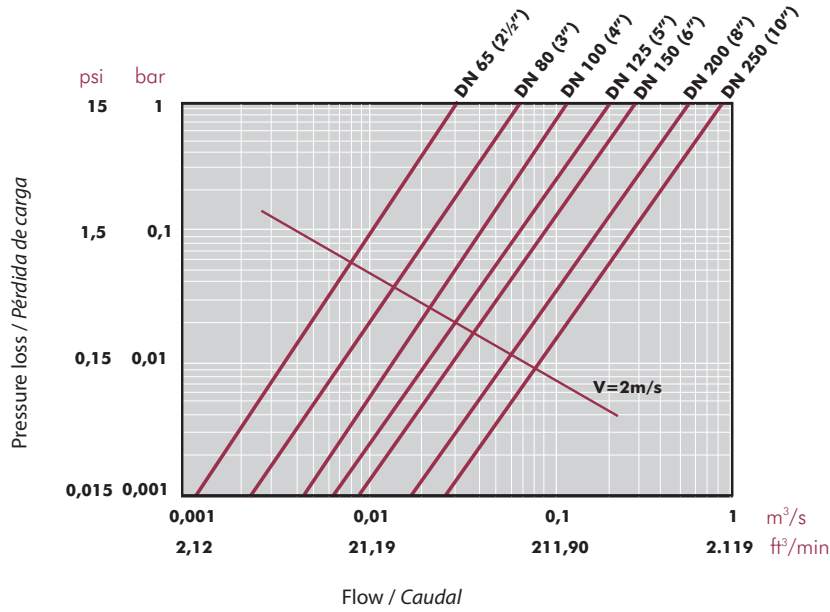
PRESSURE / TEMPERATURE GRAPH
DIAGRAMA PRESIÓN / TEMPERATURA



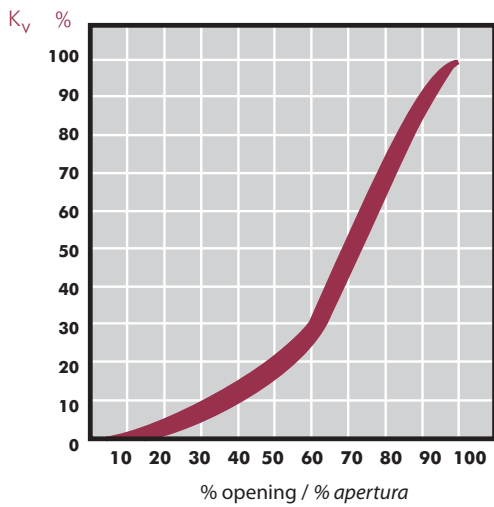
Life: 25 years
 Hydrostatic maximum pressure a component may withstand in continuous service (without overpressure)

Vida útil: 25 años
 Presión hidrostática máxima que un componente es capaz de soportar en servicio continuo (sin sobrepresión)

PRESSURE LOSS DIAGRAM
DIAGRAMA DE PÉRDIDAS DE CARGA



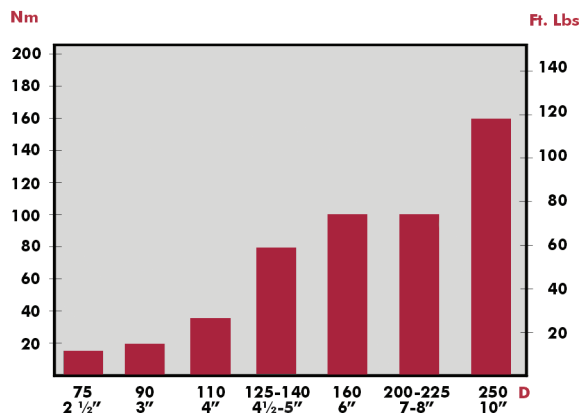
RELATIVE FLOW CHART
DIAGRAMA DE FLUJO RE ATIVO



D		K_{v100}	C_v
63-75	2"-2½"	1800	126
90	3"	4020	282
110	4"	8280	580
125-140	5"	11760	824
160	6"	16200	1134
200-225	7"-8"	33000	2311
250	10"	52200	3655

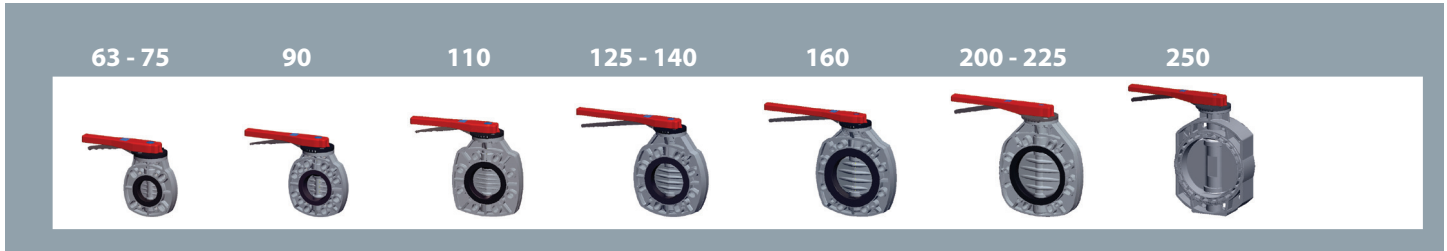
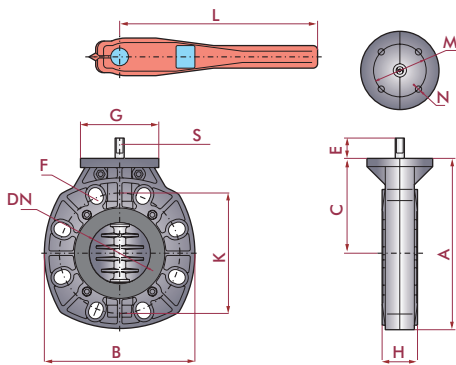
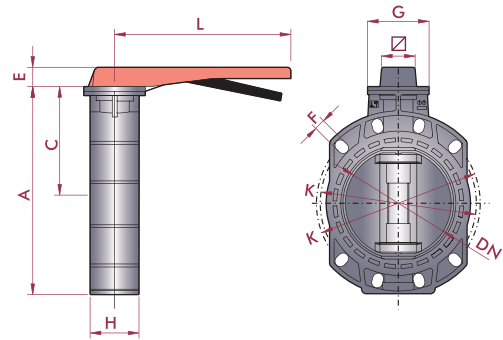
$C_v = K_{v100} / 14,28$
 K_{v100} (l/min, $\Delta p = 1$ bar)
 C_v (GPM, $\Delta p = 1$ psi)

TORQUE GRAPH
DIAGRAMA DE PAR



Operating torque values at rated pressure (PN) and 20 °C in as new direct from the factory condition. Installation and operating conditions (pressure and temperature) will affect these values. The actuator that is required for an automatic operation must be calculated according to some safety factors that were determined in life tests carried out in the factory.

Los valores de par de giro se determinan a presión nominal (PN) y a 20 °C, en condiciones de salida de fábrica. Las condiciones de instalación y operación (presión y temperatura) afectarán a estos valores. El actuador requerido para automatizar el giro debe ser calculado teniendo en cuenta ciertos coeficientes de seguridad que han sido determinados en pruebas de fatiga realizadas en fábrica.

DIMENSIONS
DIMENSIONES

D63 - D225

D250


D	DN	A	B	C	E	F	G	H	K	L	M	N	S	∅	holes
63-75	65	192	165	110	27	18	104	48	125/145	228	70	9	10		4
90	80	227	200	126	27	18	104	53	160/169	263	70	9	12		8
110	100	271	229	156	30	18	104	60	180/190	263	70	9	16		8
125-140	125	297	250	172	30	18	104	66	190/210	350	70	9	20		8
160	150	327	285	185	30	22	104	72	240	350	70	9	20		8
200-225	200	400	340	230	30	22	136	73	270/295	390	102	11	26		8
250	250	450	319	250	37	24	136	108	345/362	390	102	11		22	12

UP. 80. Z1 - CLASSIC BUTTERFLY VALVE

Butterfly valve

- PVC-U body
- Blue dot
- Joints in EPDM
- Zinc plated steel shaft
- Disc in PVC-U
- Aluminium handle

Válvula de mariposa

- Cuerpo en PVC-U
- Distintivo azul
- Juntas EPDM
- Eje en acero zincado
- Compuerta de PVC-U
- Maneta en aluminio



D	DN	PN	REF.	CODE
63 - 75	65	10	05 80 075	02581
90	80	10	05 80 090	02582
110	100	10	05 80 110	02583
125 - 140	125	10	05 80 140	02585
160	150	6	05 80 160	02586
200 - 225	200	6	05 80 200	02587
250	250	6	05 80 250	15846

UP. 80. I4 - CLASSIC BUTTERFLY VALVE

Butterfly valve

- PVC-U body
- Green dot
- Joints in FPM
- Stainless steel shaft (AISI 316)
- Disc in PVC-U
- Aluminium handle

Válvula de mariposa

- Cuerpo en PVC-U
- Distintivo verde
- Juntas FPM
- Eje en acero inoxidable (AISI 316)
- Compuerta de PVC-U
- Maneta en aluminio



D	DN	PN	REF.	CODE
63 - 75	65	10	05 80 075 IV	16713
90	80	10	05 80 090 IV	16714
110	100	10	05 80 110 IV	16715
125 - 140	125	10	05 80 140 IV	16716
160	150	6	05 80 160 IV	16717
200 - 225	200	6	05 80 200 IV	16718
250	250	6	05 80 250 IV	22426

Composition of butterfly valve set

Butterfly valve + Kit (movable flange or fixed flange)

Composición del conjunto válvula de mariposa

Válvula de mariposa + Kit accesorios (brida móvil o brida fija)

Industrial	Standard	Classic	REF.	CODE
2"	2"	2"	05 81 906 RA	09136
2½"	2½"	2½"	05 81 075 RA	09120
3"	3"	3"	05 81 908 RA	09138
4"	4"	4"	05 81 910 RA	09139
5"	5"	5"	05 81 140 RA	09124
6"	6"	6"	05 81 914 RA	09142
8"	8"	8"	05 81 917 RA	09144
10"		10"	-	-
12"			-	-

Fig. 81

* For the D315 industrial butterfly valve, there's no exist a kit for the flange mounting; the flanges, the bolts and the union nuts must be acquire separately, could find it in the PVC fittings section of this catalogue.

* Para la válvula de mariposa industrial D315, no existe un kit de montaje con bridas, deben adquirirse por separado bridas, manguitos y tornillería que podrán encontrarse en la sección de accesorios en PVC.

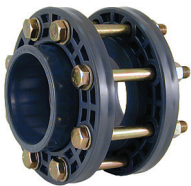
UP. 81. RA. BS - FLANGE KIT

Butterfly valve kit

• Flange adaptator + backing ring

Kit accesorios para válvula de mariposa

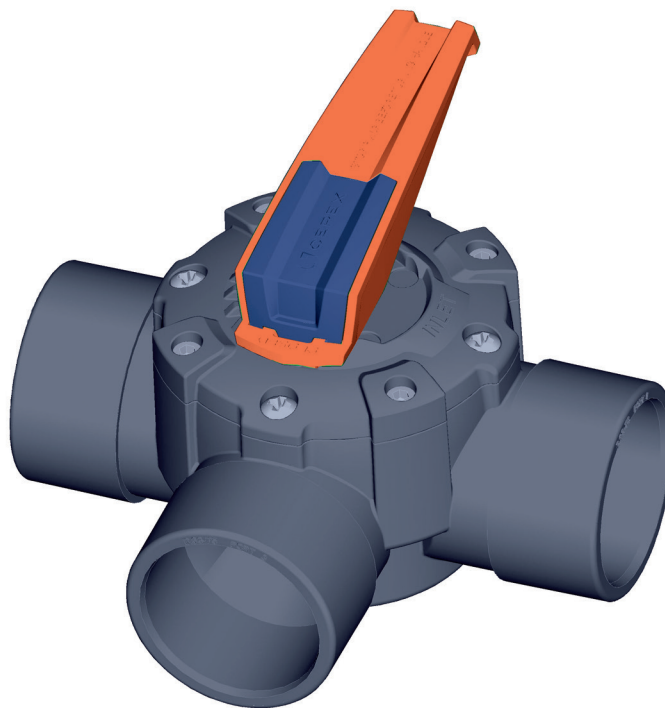
• Manguito portabridas + brida móvil



D	DN	REF.	CODE
2"	50	05 81 906 RA	09136
2½"	65	05 81 075 RA ^M	09120
3"	80	05 81 908 RA	09138
4"	100	05 81 910 RA	09139
5"	150	05 81 140 RA	09124
6"	180	05 81 914 RA	09142
8"	200	05 81 917 RA	09144

PVC-U ROTARY DISC VALVES

VÁLVULAS DE COMPUERTA ROTATORIA PVC-U



Sizes	Solvent cement D50(internal) - D63(external) Solvent cement D63(internal) - D75(external)	
Standards	Metric British standard ASTM	EN ISO 1452, EN ISO 15493 BS 4346-1 ASTM D 2467
Working pressure	@ 20°C (73°F) D50 - D75 (1¼" - 1½"): PN 6 (90 psi)	
Materials	O-rings: EPDM	Gasket: Silicone
Characteristics	<ul style="list-style-type: none"> • 2 & 3-way distribution valve. • Solvent inner connection to or solvent outer connection to pipe through end connectors. • Handle indicator of flow direction. • Closing pump position is not allowed under pressure. • Excellent flow characteristics. • Visual position indicator. • Always stop pump before turning handle. 	<ul style="list-style-type: none"> • Válvula distribuidora a 2 y 3 vías. • Posibilidad de conexionado interior encolado o conexionado encolado exterior a tubo mediante manguito de conexión. • Maneta indicadora del sentido del fluido. • No permite cerrar la boca de entrada del fluido. • Excelentes características de conducción. • Indicador visual de posición. • Antes de cambiar la posición de la válvula detenga siempre la bomba.
Certifications		

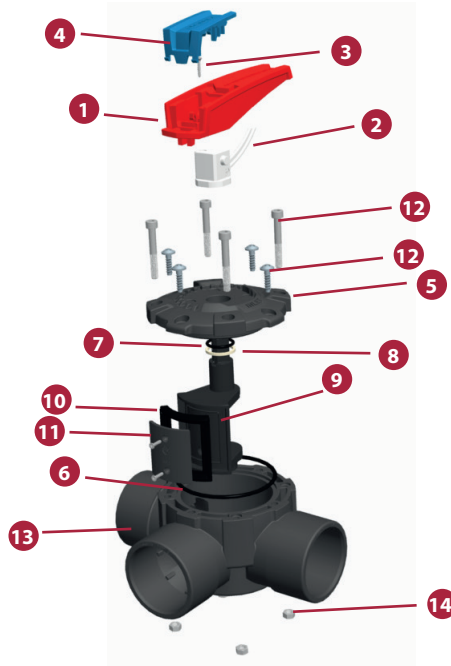
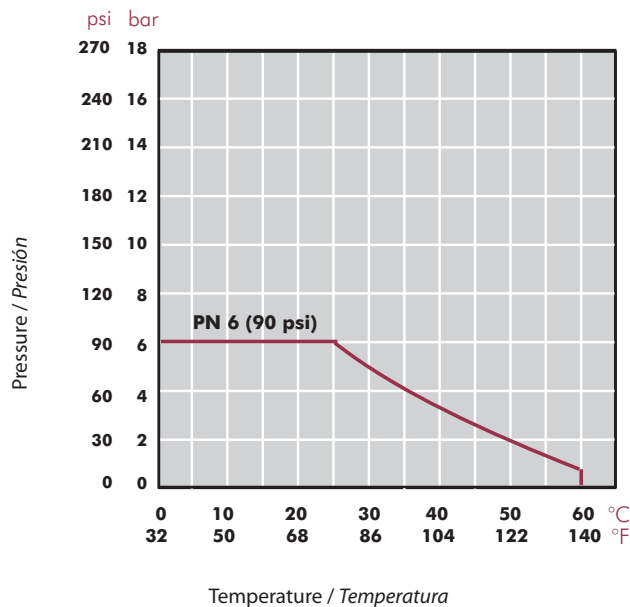


FIG.	Parts	Despiece	Material
1	Handle	Conjunto maneta	PP
2	Handle shaft	Eje palanca	POM
3	Handle retaining screw	Tornillo fijación maneta	AISI 304
4	Handle cover	Tapa maneta	PP
5	Valve lid (cover)	Tapa	PVC-U
6	Body O-ring	Junta cuerpo	EPDM
7	O-ring seal	Junta eje	EPDM
8	Shaft flat gasket	Junta plana eje	PTFE
9	Rotatory disc	Compuerta giratoria	PPO
10	Gasket	Junta compuerta	Silicone
11	Disc seal retainer	Brida junta compuerta	PPO
12	Cover retaining screws	Tornillos fijación tapa	AISI 304
13	Body	Cuerpo	PVC-U
14	Nuts	Tuercas	AISI 304

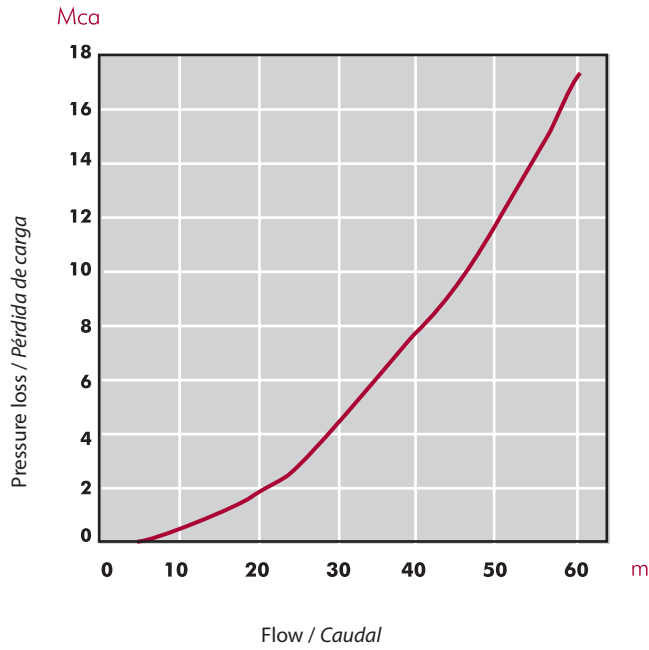
PRESSURE / TEMPERATURE GRAPH
DIAGRAMA PRESIÓN / TEMPERATURA



Life: 25 years
 Hydrostatic maximum pressure a component may withstand in continuous service (without overpressure)

Vida útil: 25 años
 Presión hidrostática máxima que un componente es capaz de soportar en servicio continuo (sin sobrepresión)

PRESSURE LOSS DIAGRAM
DIAGRAMA DE PÉRDIDAS DE CARGA



WORKING DIAGRAM
ESQUEMA DE FUNCIONAMIENTO

	2 ways open 2 vías abiertas	2 ways open 2 vías abiertas	3 ways open 3 vías abiertas
Central Inlet Recommended position <i>Entrada central</i> Posición recomendada			
Left inlet It is needed to change the valve cover position <i>Entrada izquierda</i> Necesario cambiar la posición de la tapa de la válvula			
Right inlet It is needed to change the valve cover position <i>Entrada derecha</i> Necesario cambiar la posición de la tapa de la válvula			

INSTALLATION

Valves engineered for long lasting performance in pool- spa environments with distribution system designed to obtain optimum flow regulation on every port with easy handling. Three way valves allow: 2 ports open & 1 closed, 3 ports open or adjustable partial opening.

Installation

When plumbing up the valve use tested PVC-U cement (e.g. CEPEX).

Avoid excessive adhesive application. It might flow into the valve causing damage.

The 2-way valve body contains an arrow to indicate the normal direction of flow the body marked flow directional arrow.

Before starting the pump make sure the valve is in the desired position.

Service

The direction of the handle indicates which way is closed (CLOSED). In 3-way valves, inlet C (INLET) is the default inlet for the liquid. The inlet can be changed by dismounting the valve and changing the cover position as desired.

Nevertheless, the inlet should not be closed under any circumstances.

Always stop pump before turning handle!

The water acts as a lubricant. However we recommend lubricate the disc seal with any silicon grease once a year in order to avoid the sticking effect.

If you have to disassemble the valve top assembly proceed as follows:

Unscrew the stainless steel bolts.

Helped by a screwdriver lift the cover and remove the top assembly carefully, avoiding to damage the o-ring.

After you have done your work proceed with reassembly as follows:

Make sure the lubricated cover o-ring is placed on the top of the body, NOT around the valve top.

Match the assembly marks and press the valve top into the bottom until it "clicks in".

Tighten bolts with screwdriver. Overtighten bolts may cause damage to valve.

INSTALACIÓN

Válvulas concebidas para su uso en piscinas y spas, disponen de un sistema de distribución diseñado para facilitar la regulación óptima del flujo a cada salida con una gran facilidad de manejo. La válvula de tres vías permite: 2 vías abiertas y 1 cerrada, 3 vías abiertas ó apertura parcial regulable.

Montaje

Al encolar la válvula use un adhesivo para PVC-U rígido de probada eficacia (p.e. "CEPEX").

Evite la aplicación excesiva de adhesivo que podría gotear al interior de la válvula causando daños a la misma.

El cuerpo de la válvula de 2 vías tiene una flecha que indica el sentido normal del flujo. Asegúrese de respetar dicho sentido al montar la válvula.

Antes de conectar la bomba asegúrese de que la válvula se encuentra en la posición deseada.

Instrucciones de servicio

La dirección de la maneta indica la vía que queda cerrada (CLOSED). En el caso de la versión de 3 vías, la boca C (INLET) es por defecto la boca de entrada del fluido. Es posible cambiar la boca de entrada desmontando la válvula y cambiando la orientación de la tapa según convenga.

En cualquier caso, la boca de entrada del fluido nunca debe cerrarse.

Antes de cambiar la posición de la válvula detenga siempre la bomba!

El propio fluido lubrica la válvula, pero se recomienda lubricar la junta de la compuerta cada año con una grasa de silicona para un funcionamiento óptimo evitando el efecto de adherencia.

Para desmontar la válvula, siga las instrucciones siguientes:

Afloje y retire los tornillos de acero inoxidable.

Con ayuda de un destornillador levante el conjunto Tapa-compuerta-maneta con cuidado de no dañar la junta.

Una vez realizada la operación vuelva a ensamblar la válvula como sigue:

Sítue la junta tórica lubricada en el cuerpo de la válvula, NO en la tapa.

Busque las marcas de alineación en ambas partes de la válvula, encárelas y presione hasta que asienten correctamente. Coloque y apriete los tornillos de fijación. Un apriete excesivo de los tornillos puede provocar daños a la válvula.

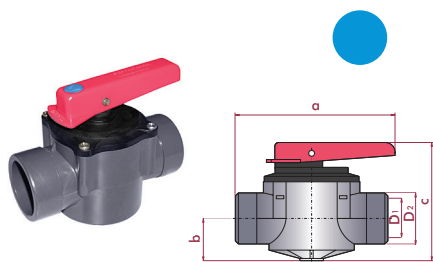
UP. 90. 2V. BS - PVC-U ROTARY DISC VALVE

2-way rotary disc valve

- PVC-U body
- Female/male solvent socket
- British Standard series
- O-Rings in EPDM

Válvula de compuerta rotatoria de 2 vías

- Cuerpo en PVC-U
- Encolar hembra/macho
- Serie British Standard
- Juntas en EPDM



D ₁ - D ₂	DN	PN	REF.	CODE
1½" - 2"	40	6	05 90 729	16523

a	b	c
165	50	140

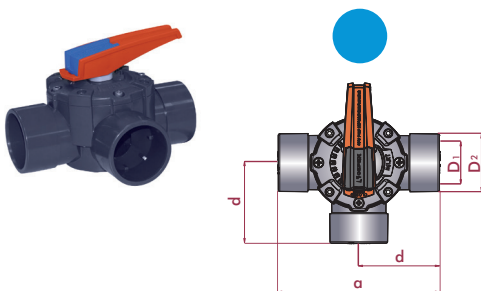
UP. 90. 3V. BS - PVC-U ROTARY DISC VALVE

3-way rotary disc valve

- PVC-U body
- Female/male solvent socket
- British Standard series
- O-Rings in EPDM

Válvula de compuerta rotatoria de 3 vías

- Cuerpo en PVC-U
- Encolar hembra/macho
- Serie British Standard
- Juntas en EPDM



D ₁ - D ₂	DN	PN	REF.	CODE
1½" - 2"	40	6	05 90 739	16524
2" - 2½"	50	6	05 90 749	45659

a	d
165	80
210	105

PVC-U KNIFE GATE VALVES

VÁLVULAS DE GUILLOTINA PVC-U



Sizes	D50 - D63 (DN40 - DN50) 1½" - 2" D90 - D110 (DN80 - DN100)	
Standards	Solvent socket - Metric, ASTM, British standard Threaded - BSP, NPT	EN ISO 1452, EN ISO 15493, BS 4346-1, ASTM D 2467 ISO 228-1, ASTM D 2464
Working pressure	@ 20°C (73°F) D50 - D63 (1½" - 2"): MAX PRESSURE 3,5 (52,5 psi) D90 - D110 (2½" - 4"): MAX PRESSURE 1,5 (21,75 psi)	
Materials	Gasket: EPDM	
Characteristics	<ul style="list-style-type: none"> • Ideally suited for flow control using minimal piping space. • Available in grey color, and white color in american sizes. • Available connections (female solvent socket, male threaded & female threaded BSP or NPT and spigot connection to connect pipe with internal diameter 38mm). • Easy to open and close. • Light weight. • It is provided with the valve a safety clip to fix the valve in open position. • Specially indicated for swimming-pools and spas. 	<ul style="list-style-type: none"> • Su instalación requiere poco espacio. • Disponible en color gris, o en color blanco para medidas americanas. • Diferentes tipos de conexión (encolar hembra, rosca macho y hembra BSP o NPT y espiga para conexión a tubo D interior 38mm). • Facilidad de apertura y cierre. • Ligera. • Se suministra conjuntamente con la válvula un accesorio de seguridad para posicionar la válvula abierta. • Especialmente indicada para piscinas y spas.
Certifications		

UNIONS / CONEXIONES

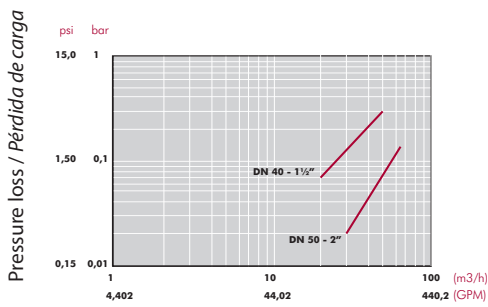
- 7.1 - Solvent socket / Encolar hembra
- 7.2 - Female thread / Rosca hembra
- 7.3 - Male thread / Rosca macho
- 7.4 - Spigot / Espiga



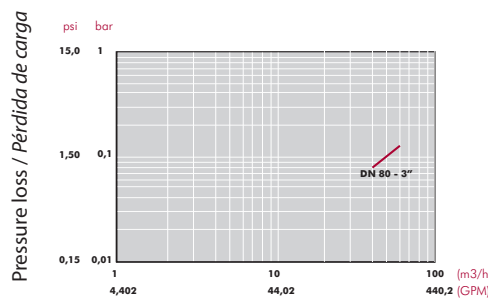
FIG.	Parts	Despiece	Material
1	Handle	Conjunto maneta	PVC-U
2	Clip	Clip	POM
3	Stem	Eje	AISI 304 Stainless steel
4	Body	Cuerpo	PVC-U
5	Valve disc	Compuerta	POM
6	Gasket	Junta compuerta	EPDM
7	End connector	Manguito enlace	PVC-U
8	Bolts	Tornillo	Stainless steel
9	Nut	Tuerca	Stainless steel

PRESSURE LOSS DIAGRAM

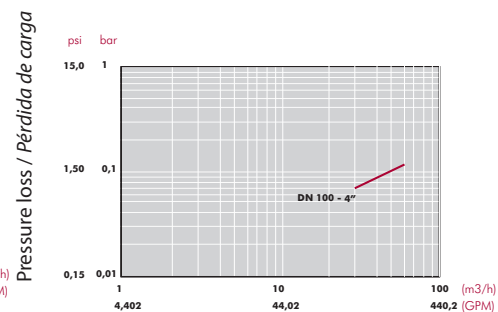
DIAGRAMA DE PÉRDIDAS DE CARGA



Flow / Caudal



Flow / Caudal



Flow / Caudal

WARNINGS

Use only in installations where the maximum working pressure is 3,5 bar. In any case this value can be surpassed. Possible water hammer with fast closing and abrupt closing of the valve. Always remove the safety clip before closing the valve. Make a correct manipulation of the valve to avoid accidents.

ADVERTENCIAS

Utilizar en instalaciones con una presión máxima de trabajo de 3,5 bar. En ningún caso se puede superar este valor. Posible golpe de ariete con cierre rápido y brusco de la válvula. Retirar siempre el cierre de seguridad antes de cerrar la válvula. Realizar una manipulación correcta de la válvula para evitar accidentes.

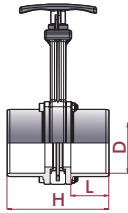
UP. 79. SF, BS - PVC-U KNIFE GATE VALVE

Knife gate valve

- PVC-U body
- Female solvent socket
- British Standard series
- Gasket in EPDM

Válvula de guillotina

- Cuerpo en PVC-U
- Encolar hembra
- Serie British Standard
- Junta compuerta en EPDM



D	P MAX	REF.	CODE
1½" x 1½"	3,5	05 79 905	28591
2" x 2"	3,5	05 79 906	28601

L	H
33	90
39	106

AMERICAN STANDARD SERIES

BALL VALVES <i>VÁLVULAS DE BOLA</i>	01	PAG. 456
CHECK VALVES <i>VÁLVULAS ANTI-RETORNO</i>	02	PAG. 498
BUTTERFLY VALVES <i>VÁLVULAS DE MARIPOSA</i>	03	PAG. 522
ROTARY DISC VALVES <i>VÁLVULAS COMPUERTA ROTATORIA</i>	04	PAG. 537
KNIFE GATE VALVES <i>VÁLVULAS DE GUILLOTINA</i>	05	PAG. 542

PVC-U BALL VALVES - [STD] SERIES

VÁLVULAS DE BOLA PVC-U - SERIE [STD]



Sizes	Solvent cement D16 - D110 (DN10-DN100) Threaded 3/8" - 4"	
Standard end connections	Solvent socket - Metric, ASTM, British standard Threaded - BSP, NPT Butt welding - SDR11 Compression - Metric, IPS, CTS	EN ISO 1452, EN ISO 15493, BS 4346-1, ASTM D 2467 ISO 228-1, ASTM D 2464
Working pressure	@ 20°C (73°F) D16 - D63 (3/8" - 2"): PN 16 (240 psi) D75 - D110 (2 1/2" - 4"): PN 10 (150 psi)	
Materials	O-rings: EPDM / FPM	Ball seats: HDPE / PTFE
Characteristics	<ul style="list-style-type: none"> • Threaded seal-carrier for upstream maintenance without emptying the system. • Handle built-in tool for easy adjustment of the threaded seal-carrier (and ball torque). • "Antiblock" system that avoids ball blockage. • 100% factory tested. • Minimal pressure drop. • Low operating torque. • Resistance to many inorganic chemicals. • Excellent flow characteristics. 	<ul style="list-style-type: none"> • Portajuntas roscado para el mantenimiento de la válvula sin necesidad de vaciar el sistema. • Llave incorporada en la maneta para ajuste del portajuntas roscado (ajuste del par). • Sistema "Antiblock" que evita el bloqueo de la bola. • Probadas al 100% en fábrica. • Mínima pérdida de carga. • Bajo par de maniobra de apertura y cierre. • Resistencia a múltiples sustancias químicas inorgánicas. • Excelentes características de conducción.
Certifications / Regulations	Ball valve design regulation - EN ISO 16135	

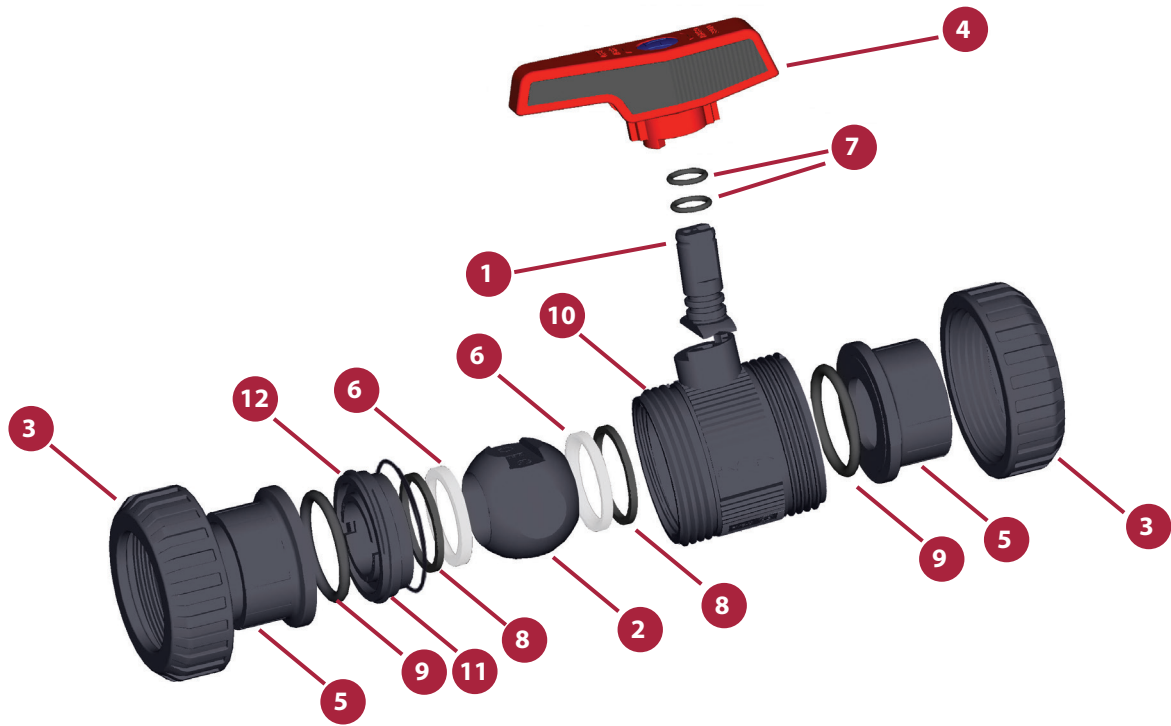
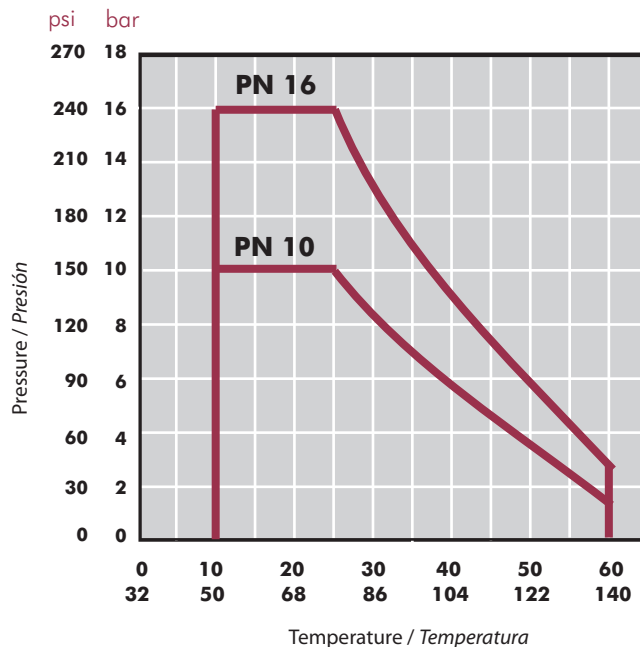


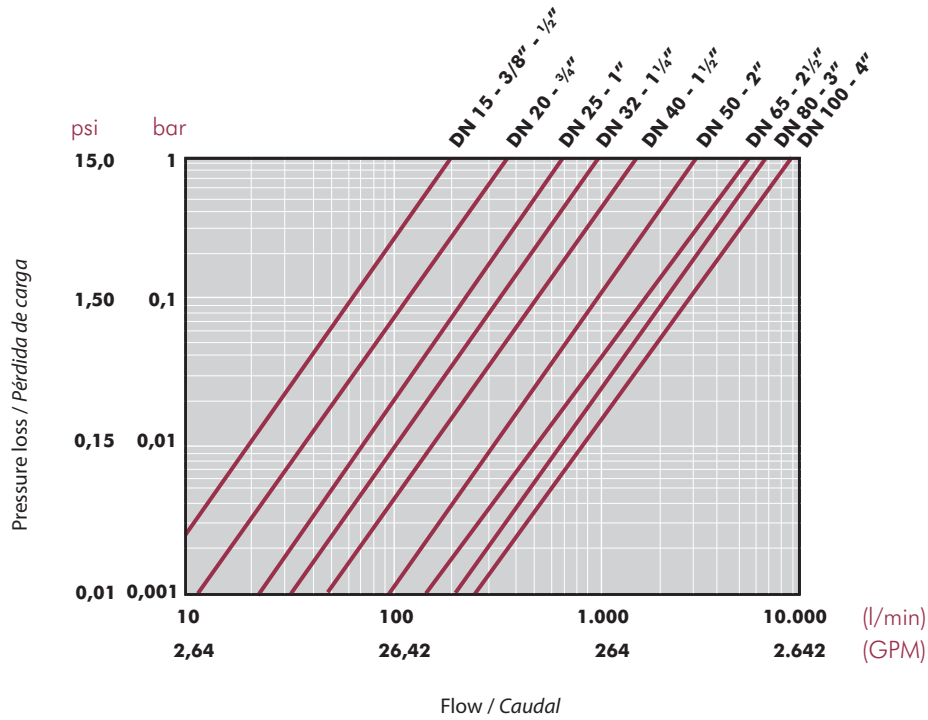
FIG.	Parts	Despiece	Material
1	Shaft	Eje	PVC-U
2	Ball	Bola	PVC-U
3	Union nut	Tuerca	PVC-U
4	Handle	Conjunto maneta	PP+GR + TPE
5	End connector	Manguito enlace	PVC-U
6	Ball seat	Asiento bola	HDPE / PTFE
7	Shaft o-ring	Junta eje	EPDM / FPM
8	Dampener seal	Junta amortiguación	EPDM / FPM
9	End connector o-ring	Junta manguito	EPDM / FPM
10	Body	Cuerpo	PVC-U
11	Seal-carrier	Portajuntas	PVC-U
12	Body o-ring	Junta cuerpo	EPDM / FPM

PRESSURE / TEMPERATURE GRAPH
DIAGRAMA PRESIÓN / TEMPERATURA



Life: 25 years
 Hydrostatic maximum pressure a component may withstand in continuous service (without overpressure)

Vida útil: 25 años
 Presión hidrostática máxima que un componente es capaz de soportar en servicio continuo (sin sobrepresión)

PRESSURE LOSS DIAGRAM
DIAGRAMA DE PÉRDIDAS DE CARGA

RELATIVE FLOW
FLUJO RELATIVO

D	16-3/8"	20-1/2"	25-3/4"	32-1"	40-1 1/4"	50-1 1/2"	63-2"	75-2 1/2"	90-3"	110-4"
DN	10	15	20	25	32	40	50	65	80	100
Kv ₁₀₀	75	190	380	690	980	1.600	3.000	5.500	6.800	8900
Cv	5,3	13,3	26,6	48,3	68,6	112	210,1	385,2	476,2	623,2

$$Cv = Kv_{100} / 14,28$$

$$Kv_{100} \text{ (l/min, } \Delta p = 1 \text{ bar)}$$

$$Cv \text{ (GPM, } \Delta p = 1 \text{ psi)}$$

TORQUE GRAPH
DIAGRAMA DE PAR

D	16-3/8"	20-1/2"	25-3/4"	32-1"	40-1 1/4"	50-1 1/2"	63-2"	75-2 1/2"	90-3"	110-4"
DN	10	15	20	25	32	40	50	65	80	100
Nm	1	1	2	3,5	3,5	5	15	25	45	60
in/lb	8,9	8,9	17,7	31	31	44,3	132,8	221,3	398,3	531

Operating torque values at rated pressure (PN) and 20 °C in as new direct from the factory condition. Installation and operating conditions (pressure and temperature) will affect these values. The actuator that is required for an automatic operation must be calculated according to some safety factors that were determined in life tests carried out in the factory.

Los valores de par de giro se determinan a presión nominal (PN) y a 20 °C, en condiciones de salida de fábrica. Las condiciones de instalación y operación (presión y temperatura) afectarán a estos valores. El actuador requerido para automatizar el giro debe ser calculado teniendo en cuenta ciertos coeficientes de seguridad que han sido determinados en pruebas de fatiga realizadas en fábrica.

ASSEMBLY INSTRUCTIONS

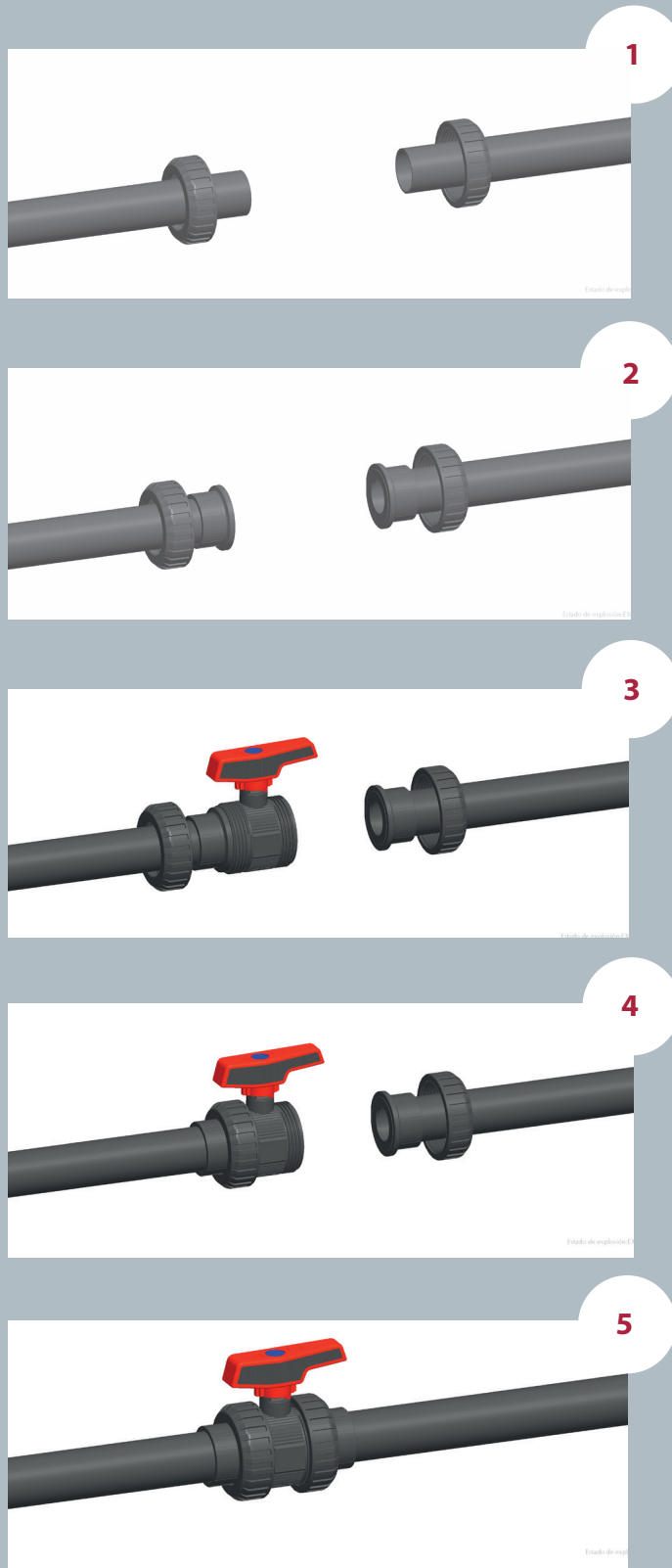
Solvent socket or threaded unions

Loosen the valve union nuts (3) and separate these and the end connectors (5) from the valve body. Pass the pipe through the nuts and then place the bushes over the end of the pipe. The socket unions should be glued onto the pipe using a PVC-U or PVC-C adhesive and pressure should not be applied to the system until a drying period of at least 1 hour per bar of working pressure has elapsed. In the case of threaded unions, PTFE tape should be applied to the male threads. The pipes can now be attached to the valve by hand tightening down the nuts.

INSTRUCCIONES DE MONTAJE

Uniones encoladas o roscadas

Afloje las tuercas (3) de la válvula y sepárelas de los manguitos (5). Introduzca las tuercas en los tubos y a continuación fije los manguitos en los extremos del tubo. Las uniones encoladas se realizarán con un adhesivo para tubos de PVC-U o PVC-C rígido y no se aplicará presión hasta transcurridas al menos 1 hora por bar. En las uniones roscadas se colocará cinta de PTFE en las roscas macho. A continuación ya podrá colocarse la válvula entre los manguitos y apretar a mano las tuercas sobre la válvula.



SEAL-CARRIER

Industrial Series - Threaded seal-carrier

Industrial Series feature a threaded seal-carrier instead of the push-fit system. The threaded seal-carrier allows for upstream maintenance without emptying the system.

A closed valve with a push-fit seal-carrier will not withstand system pressure: when the nut is disassembled, the seal-carrier gets free.

On the other side, a valve with a threaded seal-carrier will supports the system pressure thanks to the thread.

With Cepex valves, it is possible to disassemble the valve (only upstream) to carry out installation maintenance.

PORTAJUNTAS

Serie Industrial - Portajuntas roscado

La Serie Industrial, al llevar el portajuntas roscado en vez de estar insertado a presión, permite el mantenimiento aguas arriba sin necesidad de vaciar el sistema.

Con un portajuntas a presión, la presión del sistema (con la válvula cerrada) hace que éste salte al intentar desmontar la válvula.

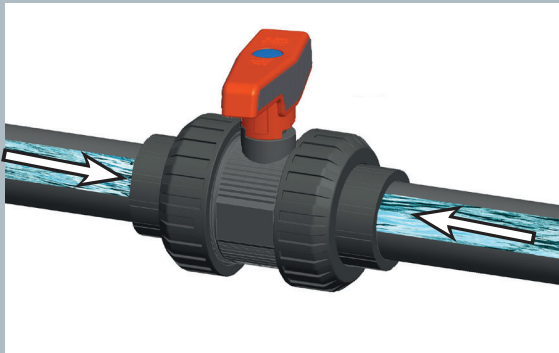
Con un portajuntas roscado, al desmontar la válvula, la rosca aguanta toda la presión del sistema sin ceder.

Ahora podemos desmontar la válvula (en su parte aguas arriba) para realizar el mantenimiento de la instalación.



Fluid comes from the pump and goes through the open valve.

El fluido sale de la bomba y pasa por la válvula abierta.



When the valve is closed, fluid exerts pressure in both directions.

Cerrando la válvula, el fluido ejerce presión en ambos lados.



With the threaded seal-carrier, we are able to isolate the pump zone for maintenance. The thread is supporting the pressure of the system.

Con el portajuntas roscado, podemos aislar la zona de la bomba para su mantenimiento. La rosca aguanta la presión del sistema.

ADJUSTMENT AND MAINTENANCE OF THE VALVES

Provided that there is no pressure in the circuit, with the valve closed maintenance can be carried out on any component in the valve line.

The following steps can be carried out while maintaining system pressure.

The valve is factory adjusted to ensure correct operation over long periods of time. Nevertheless, it is possible to readjust the clamping force on the ball if it is required. This operation is carried out by using the handle (4) which is attached to the bottom of the valve.

To carry out this operation it is first necessary to disassemble the two nuts and remove the valve. Introduce the handle (4) into the slot which forms part of the seal-carrier (13) and turn the adjusting tool either (a) clockwise to loosen the seal or (b) anticlockwise to tighten the seal.

When the time comes to replace any part of the valve, this can be easily done. First, use the adjusting tool to turn the seal-carrier (13) clockwise until it comes free. At this stage, any of the body O-rings (6,8,9) or the ball (2) can be replaced. If it is necessary to change the shaft (1) or its O-rings (7), then the ball should be removed. Pressing down will then free the shaft. Please beware that excessively tightening the seal holder will increase the valve actining torque which in turn may cause problems with motorized actuators.

When reassembling the valve, lubricate the seals with vaseline or silicone. Never use greases or mineral oils.

REGULACIÓN Y MANTENIMIENTO DE LA VÁLVULA

Es posible realizar el mantenimiento de cualquiera de los extremos de la línea conectados a la válvula manteniendo la instalación bajo presión. Simplemente cerrando la válvula, ésta actuará como tapón en cualquiera de los dos sentidos. Las operaciones a continuación descritas se realizarán siempre sin fluido en la línea.

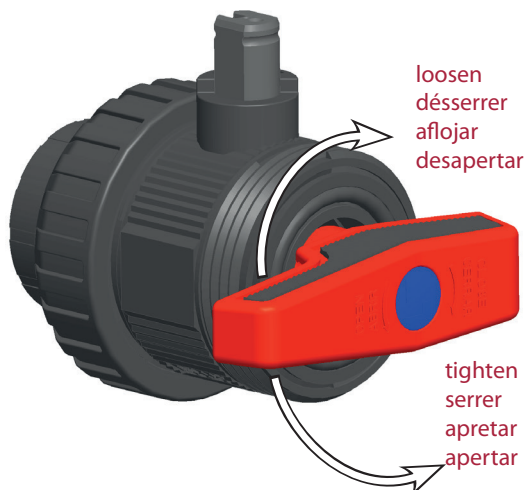
La válvula está ajustada en fábrica para un correcto y prolongado funcionamiento. No obstante, es posible reajustar la fuerza de apriete de la junta de cierre sobre la bola cuando las condiciones de uso lo requieran. Esta operación se llevará a cabo con ayuda de la maneta (4) que se adjunta en la parte inferior de la válvula.

Para ello desmonte las tuercas (3) de la válvula y extráigala de su alojamiento. Introduzca la maneta (4) en la ranura que a tal efecto tiene el portajuntas (13) y gírela en sentido antihorario para apretar la junta y horario para aflojarla.

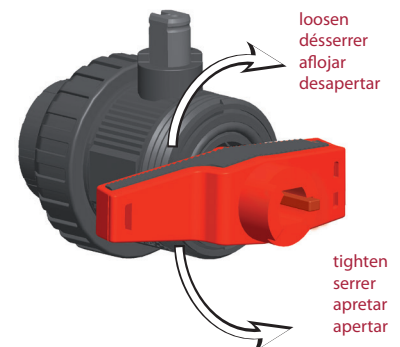
En caso se desgaste de algún componente de la válvula, podrá ser sustituido desmontando el conjunto del cuerpo de la válvula. Para ello proceda igual que con la regulación pero gire en sentido horario hasta que el portajuntas quede libre. Llegado este punto podrá sustituir cualquiera de las juntas del cuerpo (6,8,9) o la bola (2). Si fuera necesario sustituir el eje (1) o sus juntas (7) debería extraer la bola. Nótese que un apriete excesivo sobre el portajuntas puede influir en el par de accionamiento lo que puede perjudicar a los actuadores de válvulas motorizadas.

El montaje se realiza siguiendo el proceso inverso pero teniendo siempre la precaución de lubricar las juntas con vaselina neutra o silicona. No utilizar grasas o aceites minerales.

D32 (1") -
D110 (4")



D16 (3/8") -
D25 (3/4")

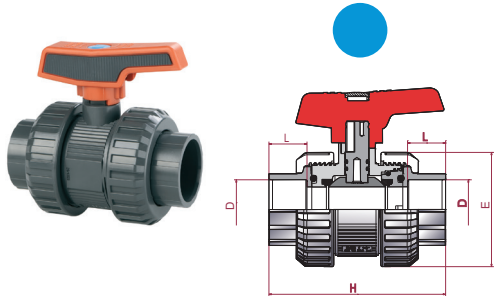


UP. 60ST. SF5. MA - PVC-U [STD] BALL VALVE
[STD] ball valve

- PVC-U body
- Female solvent socket
- ASTM series
- Ball seat in HDPE
- O-Rings in EPDM
- Blue dot

Válvula de bola [STD]

- Cuerpo en PVC-U
- Encolar hembra
- Serie ASTM
- Juntas asiento bola en HDPE
- Anillos tóricos en EPDM
- Distintivo azul



D	DN	PN	REF.	CODE
½"	15	16	60 60 901 MA	36521
¾"	20	16	60 60 902 MA	36522
1"	25	16	60 60 903 MA	36523
1¼"	32	16	60 60 904 MA	36524
1½"	40	16	60 60 905 MA	36525
2"	50	16	60 60 906 MA	36526
2½"	65	10	60 60 907 MA	36527
3"	80	10	60 60 908 MA	36528
4"	100	10	60 60 911 MA	45189

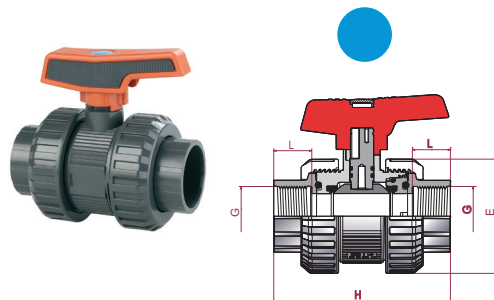
L	H	E
16	87	50
19	101	61
22	122	70
26	135	81
31	149	96
38	174	118
44	216	146
51	256	176
63	359	228

UP. 60ST. FT5. MA - PVC-U [STD] BALL VALVE
[STD] ball valve

- PVC-U body
- NPT female thread
- Ball seat in HPDE
- O-Rings in EPDM
- Blue dot

Válvula de bola [STD]

- Cuerpo en PVC-U
- Rosca hembra NPT
- Juntas asiento bola en HPDE
- Anillos tóricos en EPDM
- Distintivo azul



G	DN	PN	REF.	CODE
½"	15	16	60 60 801	36531
¾"	20	16	60 60 802	36532
1"	25	16	60 60 803	36533
1¼"	32	16	60 60 804	36534
1½"	40	16	60 60 805	36535
2"	50	16	60 60 806	36536
2½"	65	10	60 60 807	36537
3"	80	10	60 60 808	36538
4"	100	10	60 60 811	45191

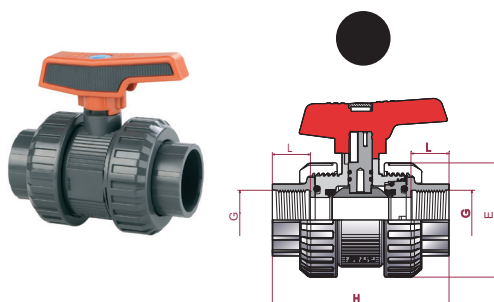
L	H	E
16	87	50
19	101	61
22	122	70
26	135	81
31	149	96
38	174	118
44	216	146
51	256	176
63	359	228

UP. 61ST. SF5. MA - PVC-U [STD] BALL VALVE
[STD] ball valve

- PVC-U body
- Female solvent socket
- ASTM series
- Ball seat in PTFE
- O-Rings in EPDM
- Black dot

Válvula de bola [STD]

- Cuerpo en PVC-U
- Encolar hembra
- Serie ASTM
- Juntas asiento bola en PTFE
- Anillos tóricos en EPDM
- Distintivo negro



G	DN	PN	REF.	CODE
½"	15	16	60 61 901 MA	63068
¾"	20	16	60 61 902 MA	63069
1"	25	16	60 61 903 MA	63070
1¼"	32	16	60 61 904 MA	63071
1½"	40	16	60 61 905 MA	63072
2"	50	16	60 61 906 MA	63073
2½"	65	10	60 61 907 MA	63074
3"	80	10	60 61 908 MA	63075
4"	100	10	60 61 911 MA	63076

L	H	E
16	87	50
19	101	61
22	122	70
26	135	81
31	149	96
38	174	118
44	216	146
51	256	176
63	359	228

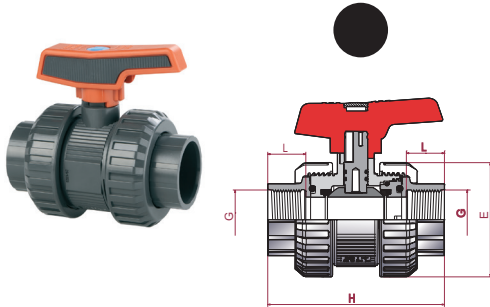
UP. 61ST. FT5. MA - PVC-U [STD] BALL VALVE

[STD] ball valve

- PVC-U body
- NPT female thread
- ASTM series
- Ball seat in PTFE
- O-Rings in EPDM
- Black dot

Válvula de bola [STD]

- Cuerpo en PVC-U
- Roscar hembra NPT
- Serie ASTM
- Juntas asiento bola en PTFE
- Anillos tóricos en EPDM
- Distintivo negro



G	DN	PN	REF.	CODE
½"	15	16	60 61 801	74373
¾"	20	16	60 61 802	74374
1"	25	16	60 61 803	74375
1¼"	32	16	60 61 804	74376
1½"	40	16	60 61 805	74377
2"	50	16	60 61 806	74378
2½"	65	10	60 61 807	74379
3"	80	10	60 61 808	74380
4"	100	10	60 61 811	74381

L	H	E
16	87	50
19	101	61
22	122	70
26	135	81
31	149	96
38	174	118
44	216	146
51	256	176
63	359	228

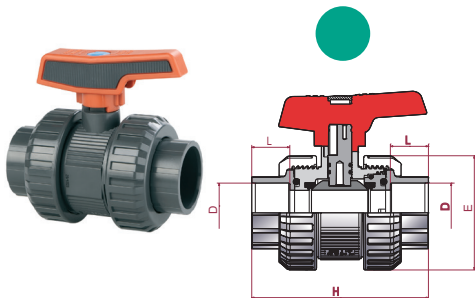
UP. 61ST. SF7. MA - PVC-U [STD] BALL VALVE

[STD] ball valve

- PVC-U body
- Female solvent socket
- ASTM series
- Ball seat in PTFE
- O-Rings in FPM
- Green dot

Válvula de bola [STD]

- Cuerpo en PVC-U
- Encolar hembra
- Serie ASTM
- Juntas asiento bola en PTFE
- Anillos tóricos en FPM
- Distintivo verde



D	DN	PN	REF.	CODE
½"	15	16	60 61 901 AV	59369
¾"	20	16	60 61 902 AV	59370
1"	25	16	60 61 903 AV	59371
1¼"	32	16	60 61 904 AV	59372
1½"	40	16	60 61 905 AV	59373
2"	50	16	60 61 906 AV	59374
2½"	65	10	60 61 907 AV	52559
3"	80	10	60 61 908 AV	52560
4"	100	10	60 61 911 AV	52561

L	H	E
16	87	50
19	101	61
22	122	70
26	135	81
31	149	96
38	174	118
44	216	146
51	256	176
63	359	228

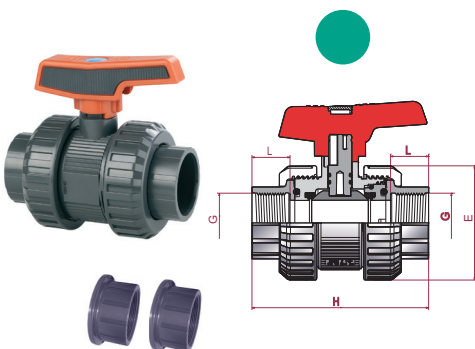
UP. 61ST. FT7. MA - PVC-U [STD] BALL VALVE COMBO

[STD] ball valve

- PVC-U body
- NPT female thread
- Ball seat in PTFE
- O-Rings in FPM
- Green dot

Válvula de bola [STD]

- Cuerpo en PVC-U
- Rosca hembra NPT
- Juntas asiento bola en PTFE
- Anillos tóricos en FPM
- Distintivo verde



G	DN	PN	REF.	CODE
½"	15	16	60 61 801 VID *	52553
¾"	20	16	60 61 802 VID *	52554
1"	25	16	60 61 803 VID *	52555
1¼"	32	16	60 61 804 VID *	52556
1½"	40	16	60 61 805 VID *	52557
2"	50	16	60 61 806 VID *	52558
2½"	65	10	60 61 807 VI	52562
3"	80	10	60 61 808 VI	52563
4"	100	10	60 61 811 VI	52564

L	H	E
16	87	50
19	101	61
22	122	70
26	135	81
31	149	96
38	174	118
44	216	146
51	256	176
63	359	228

COMBO VERSION

- 1½" - 2": valve with solvent socket unions + spare threaded unions in the same box
- 2½" - 4": only solvent sokcet or threaded unions assembled

VERSIÓN COMBO

- 1½" - 2": manguitos enlace encolar montados + manguitos enlace rosca añadidos en caja
- 2½" - 4": sólo manguitos enlace encolar o rosca

PVC-U BALL VALVES - STANDARD SERIES

VÁLVULAS DE BOLA PVC-U - SERIE STANDARD



Sizes	Solvent cement D16 - D110 (DN10-DN100) Threaded 3/8" - 4"	
Standards	Solvent socket - Metric, British Standard, ASTM, JIS Threaded - BSP, NPT Compression - metric, IPS, CTS	EN ISO 1452, EN ISO 15493, BS 4346-1, ASTM D 2467, JIS K 6743 ISO 228-1, ASTM D 2464
Working pressure	@ 20°C (73°F) D16 - D63 (3/8" - 2"): PN 16 (240 psi) D75 - D110 (2 1/2" - 4"): PN 10 (150 psi)	
Materials	O-rings: EPDM / FPM	Ball seats: HDPE / PTFE
Characteristics	<ul style="list-style-type: none"> • "Antiblock" system that avoids ball blockage. • 100% factory tested. • Minimal pressure drop. • Low operating torque. • Resistance to many inorganic chemicals. • Excellent flow characteristics. 	<ul style="list-style-type: none"> • Sistema "Antiblock" que evita el bloqueo de la bola. • Probadas al 100% en fábrica. • Mínima pérdida de carga. • Bajo par de maniobra de apertura y cierre. • Resistencia a múltiples sustancias químicas inorgánicas. • Excelentes características de conducción.
Certifications / regulations	Ball valve design regulation - EN ISO 16135 NSF National Sanitation Foundation (USA) NSF 61 3/8" thru 4" Socketed 3/8" thru 4" Threaded ASTM F1970	

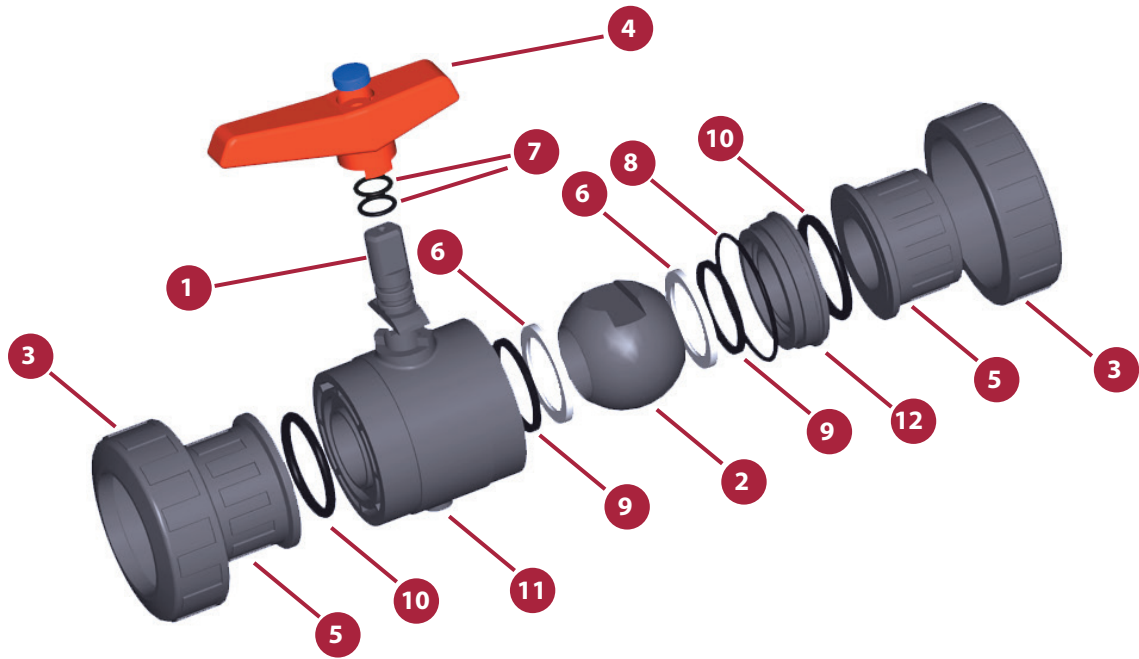
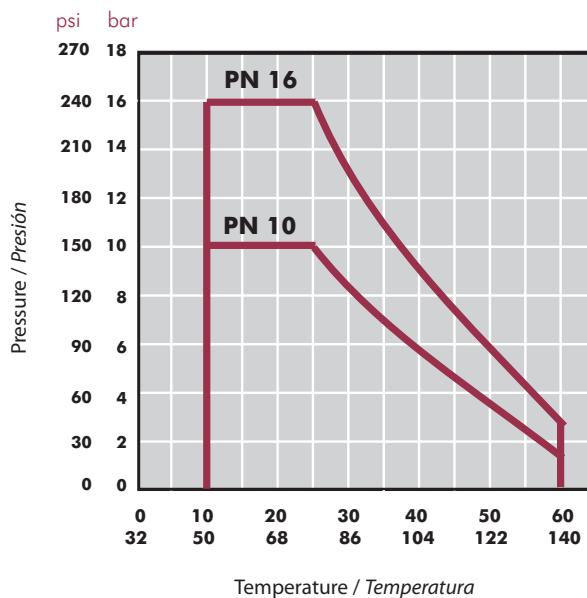


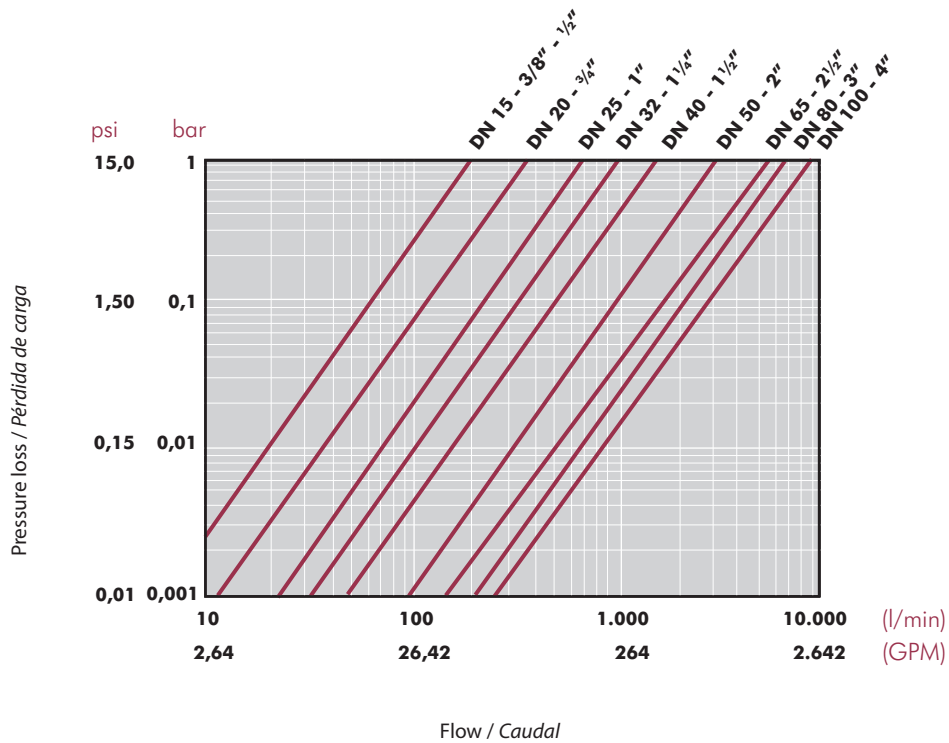
FIG.	Parts	Despiece	Material
1	Shaft	Eje	PVC-U
2	Ball	Bola	PVC-U
3	Union nut	Tuerca	PVC-U
4	Handle	Conjunto maneta	PP
5	End connector	Manguito enlace	PVC-U
6	Ball seat	Asiento bola	HDPE / PTFE
7	Shaft o-ring	Junta eje	EPDM / FPM
8	Body o-ring	Junta cuerpo	EPDM / FPM
9	Dampener seal	Junta amortiguación	EPDM / FPM
10	End connector o-ring	Junta manguito	EPDM / FPM
11	Body	Cuerpo	PVC-U
12	Seal-carrier	Portajuntas	PVC-U

PRESSURE / TEMPERATURE GRAPH
DIAGRAMA PRESIÓN / TEMPERATURA



Life: 25 years
 Hydrostatic maximum pressure a component may withstand in continuous service (without overpressure)

Vida útil: 25 años
 Presión hidrostática máxima que un componente es capaz de soportar en servicio continuo (sin sobrepresión)

PRESSURE LOSS DIAGRAM
DIAGRAMA DE PÉRDIDAS DE CARGA

RELATIVE FLOW
FLUJO RELATIVO

D	16-3/8"	20-1/2"	25-3/4"	32-1"	40-1 1/4"	50-1 1/2"	63-2"	75-2 1/2"	90-3"	110-4"
DN	10	15	20	25	32	40	50	65	80	100
Kv ₁₀₀	75	190	380	690	980	1.600	3.000	5.500	6.800	8900
Cv	5,3	13,3	26,6	48,3	68,6	112	210,1	385,2	476,2	623,2

$$Cv = Kv_{100} / 14,28$$

$$Kv_{100} \text{ (l/min, } \Delta p = 1 \text{ bar)}$$

$$Cv \text{ (GPM, } \Delta p = 1 \text{ psi)}$$

TORQUE GRAPH
DIAGRAMA DE PAR

D	16-3/8"	20-1/2"	25-3/4"	32-1"	40-1 1/4"	50-1 1/2"	63-2"	75-2 1/2"	90-3"	110-4"
DN	10	15	20	25	32	40	50	65	80	100
Nm	1	1	2	3,5	3,5	5	15	25	45	60
in/lb	8,9	8,9	17,7	31	31	44,3	132,8	221,3	398,3	531

Operating torque values at rated pressure (PN) and 20 °C in as new direct from the factory condition. Installation and operating conditions (pressure and temperature) will affect these values. The actuator that is required for an automatic operation must be calculated according to some safety factors that were determined in life tests carried out in the factory.

Los valores de par de giro se determinan a presión nominal (PN) y a 20 °C, en condiciones de salida de fábrica. Las condiciones de instalación y operación (presión y temperatura) afectarán a estos valores. El actuador requerido para automatizar el giro debe ser calculado teniendo en cuenta ciertos coeficientes de seguridad que han sido determinados en pruebas de fatiga realizadas en fábrica.

ASSEMBLY INSTRUCTIONS

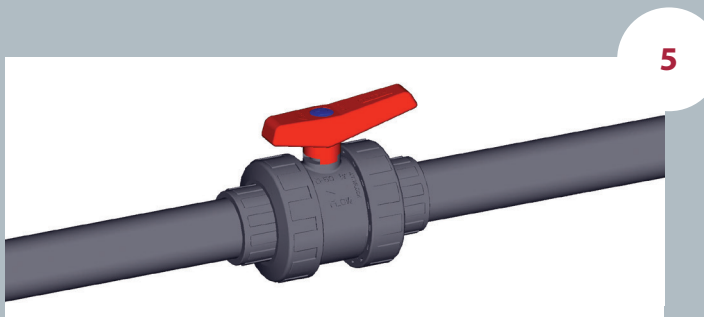
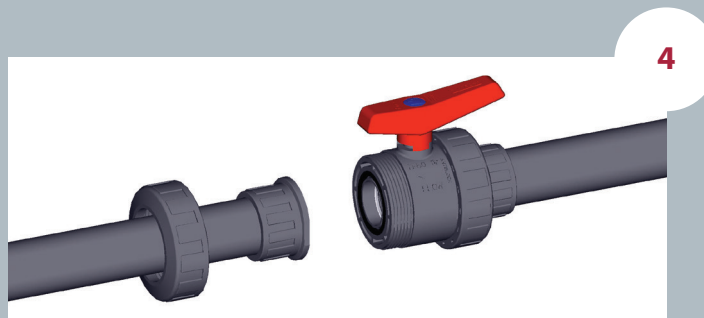
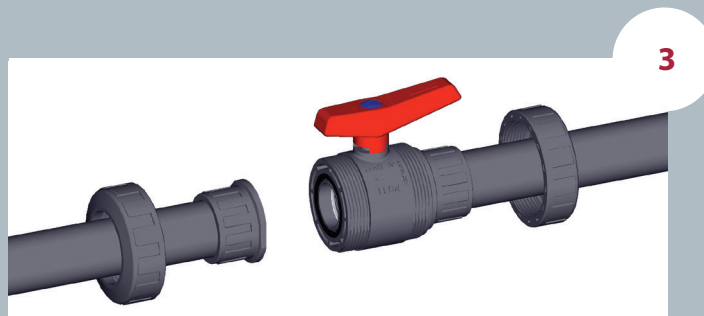
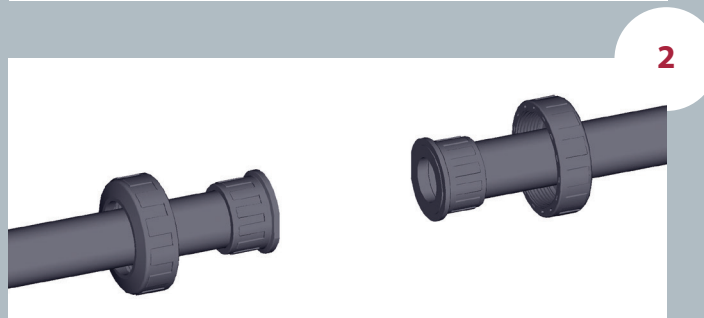
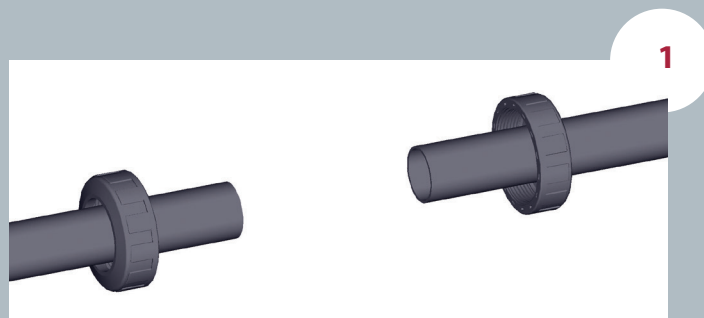
Solvent socket or threaded unions

Loosen the valve union nuts (3) and separate these and the end connectors (5) from the valve body. Pass the pipe through the nuts and then place the bushes over the end of the pipe. The socket unions should be guided onto the pipe using a PVC-U or CPVC adhesive and pressure should not be applied to the system until a drying period of at least 1 hour per bar of working pressure has elapsed. In the case of threaded unions, PTFE tape should be applied to the male threads. The pipes can now be attached to the valve by hand tightening down the nuts.

INSTRUCCIONES DE MONTAJE

Uniones encoladas o roscadas

Afloje las tuercas (3) de la válvula y sepárelas de los manguitos (5). Introduzca las tuercas en los tubos y a continuación fije los manguitos en los extremos del tubo. Las uniones encoladas se realizarán con un adhesivo para tubos de PVC-U o CPVC rígido y no se aplicará presión hasta transcurridas al menos 1 hora por bar. En las uniones roscadas se colocará cinta de PTFE en las roscas macho. A continuación ya podrá colocarse la válvula entre los manguitos y apretar a mano las tuercas sobre la válvula.

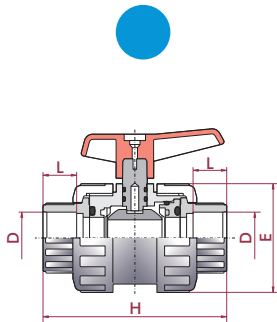


UP. 60. SF5. MA - PVC-U STANDARD BALL VALVE
"Standard" ball valve

- PVC-U body
- Female solvent socket
- ASTM series
- Ball seat in HDPE
- O-Rings in EPDM
- Blue dot

Válvula de bola "Standard"

- Cuerpo en PVC-U
- Encolar hembra
- Serie ASTM
- Juntas asiento bola en HDPE
- Anillos tóricos en EPDM
- Distintivo azul



D	DN	PN	REF.	CODE
3/8"	15	16	05 60 900 MA ⁴	07375
1/2"	15	16	05 60 901 MA ⁴	06614
3/4"	20	16	05 60 902 MA ⁴	06615
1"	25	16	05 60 903 MA ⁴	06616
1 1/4"	32	16	05 60 904 MA ⁴	06617
1 1/2"	40	16	05 60 905 MA ⁴	06618
2"	50	16	05 60 906 MA ⁴	06619
2 1/2"	65	10	05 60 907 MA ⁴	06620
3"	80	10	05 60 908 MA ⁴	07088
4"	80	10	05 60 910 MA ⁴	07377
4"	100	10	05 60 911 MA ⁴	22068

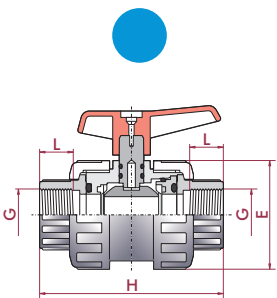
L	H	E
14	84	52
16	84	52
19	108	62
22	124	70
26	142	84
31	167	104
38	198	120
44	232	148
51	269	179
61	275	179
63	359	228

UP. 60. FT5 - PVC-U STANDARD BALL VALVE
"Standard" ball valve

- PVC-U body
- NPT female thread
- Ball seat in HPDE
- O-Rings in EPDM
- Blue dot

Válvula de bola "Standard"

- Cuerpo en PVC-U
- Rosca hembra NPT
- Juntas asiento bola en HPDE
- Anillos tóricos en EPDM
- Distintivo azul



G	DN	PN	REF.	CODE
3/8"	15	16	05 60 800 ⁴	07376
1/2"	15	16	05 60 801 ⁴	07089
3/4"	20	16	05 60 802 ⁴	07090
1"	25	16	05 60 803 ⁴	07091
1 1/4"	32	16	05 60 804 ⁴	07092
1 1/2"	40	16	05 60 805 ⁴	07093
2"	50	16	05 60 806 ⁴	07094
2 1/2"	65	10	05 60 807 ⁴	07095
3"	80	10	05 60 808 ⁴	07096
4"	80	10	05 60 810 ⁴	07378
4"	100	10	05 60 811 ⁴	22067

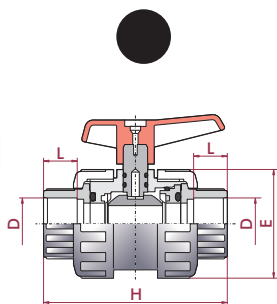
L	H	E
14	84	52
16	84	52
19	108	62
22	124	70
26	142	84
31	167	104
38	198	120
44	232	148
51	269	179
61	275	179
63	359	228

UP. 61. SF6. MA - PVC-U STANDARD BALL VALVE
"Standard" ball valve

- PVC-U body
- Female solvent socket
- ASTM series
- Ball seat in PTFE
- O-Rings in EPDM
- Black dot

Válvula de bola "Standard"

- Cuerpo en PVC-U
- Encolar hembra
- Serie ASTM
- Juntas asiento bola en PTFE
- Anillos tóricos en EPDM
- Distintivo negro



D	DN	PN	REF.	CODE
3/8"	15	16	05 61 900 MA ⁴	07379
1/2"	15	16	05 61 901 MA ⁴	07380
3/4"	20	16	05 61 902 MA ⁴	07381
1"	25	16	05 61 903 MA ⁴	07382
1 1/4"	32	16	05 61 904 MA ⁴	07383
1 1/2"	40	16	05 61 905 MA ⁴	07384
2"	50	16	05 61 906 MA ⁴	07385
2 1/2"	65	10	05 61 907 MA ⁴	07386
3"	80	10	05 61 908 MA ⁴	07387
4"	80	10	05 61 910 MA ⁴	07388
4"	100	10	05 61 911 MA ⁴	24396

L	H	E
14	84	52
16	84	52
19	108	62
22	124	70
26	142	84
31	167	104
38	198	120
44	232	148
51	269	179
61	275	179
63	359	228

⁴NSF certification

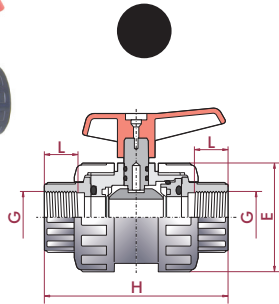
UP. 61. FT6. MA - PVC-U STANDARD BALL VALVE

"Standard" ball valve

- PVC-U body
- NPT female thread
- Ball seat in PTFE
- O-Rings in EPDM
- Black dot

Válvula de bola "Standard"

- Cuerpo en PVC-U
- Rosca hembra NPT
- Juntas asiento bola en PTFE
- Anillos tóricos en EPDM
- Distintivo negro



G	DN	PN	REF.	CODE
3/8"	15	16	05 61 800 ⁴	07389
1/2"	15	16	05 61 801 ⁴	07390
3/4"	20	16	05 61 802 ⁴	07391
1"	25	16	05 61 803 ⁴	07392
1 1/4"	32	16	05 61 804 ⁴	07393
1 1/2"	40	16	05 61 805 ⁴	07394
2"	50	16	05 61 806 ⁴	07395
2 1/2"	65	10	05 61 807 ⁴	07396
3"	80	10	05 61 808 ⁴	07397
4"	80	10	05 61 810 ⁴	07398
4"	100	10	05 61 811 ⁴	24395

L	H	E
14	84	52
16	84	52
19	108	62
22	124	70
26	142	84
31	167	104
38	198	120
44	232	148
51	269	179
61	275	179
63	359	228

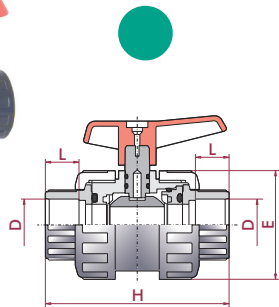
UP. 61. SF7. MA - PVC-U STANDARD BALL VALVE

"Standard" ball valve

- PVC-U body
- Female solvent socket
- ASTM series
- Ball seat in PTFE
- O-Rings in FPM
- Green dot

Válvula de bola "Standard"

- Cuerpo en PVC-U
- Encolar hembra
- Serie ASTM
- Juntas asiento bola en PTFE
- Anillos tóricos en FPM
- Distintivo verde



D	DN	PN	REF.	CODE
3/8"	15	16	05 61 900 AV ⁴	07399
1/2"	15	16	05 61 901 AV ⁴	07400
3/4"	20	16	05 61 902 AV ⁴	07401
1"	25	16	05 61 903 AV ⁴	07402
1 1/4"	32	16	05 61 904 AV ⁴	07403
1 1/2"	40	16	05 61 905 AV ⁴	07404
2"	50	16	05 61 906 AV ⁴	07405
2 1/2"	65	10	05 61 907 AV ⁴	07406
3"	80	10	05 61 908 AV ⁴	07407
4"	80	10	05 61 910 AV ⁴	07408
4"	100	10	05 61 911 AV ⁴	24396VIT

L	H	E
14	84	52
16	84	52
19	108	62
22	124	70
26	142	84
31	167	104
38	198	120
44	232	148
51	269	179
61	275	179
63	359	228

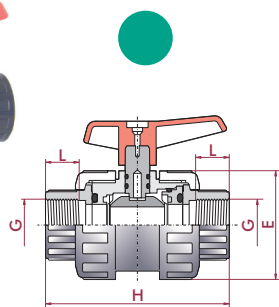
UP. 61. FT7. MA - PVC-U STANDARD BALL VALVE

"Standard" ball valve

- PVC-U body
- NPT female thread
- Ball seat in PTFE
- O-Rings in FPM
- Green dot

Válvula de bola "Standard"

- Cuerpo en PVC-U
- Rosca hembra NPT
- Juntas asiento bola en PTFE
- Anillos tóricos en FPM
- Distintivo verde



G	DN	PN	REF.	CODE
3/8"	15	16	05 61 800 VI ⁴	07409
1/2"	15	16	05 61 801 VI ⁴	07410
3/4"	20	16	05 61 802 VI ⁴	07411
1"	25	16	05 61 803 VI ⁴	07412
1 1/4"	32	16	05 61 804 VI ⁴	07413
1 1/2"	40	16	05 61 805 VI ⁴	07414
2"	50	16	05 61 806 VI ⁴	07415
2 1/2"	65	10	05 61 807 VI ⁴	07416
3"	80	10	05 61 808 VI ⁴	07417
4"	80	10	05 61 810 VI ⁴	07418

L	H	E
14	84	52
16	84	52
19	108	62
22	124	70
26	142	84
31	167	104
38	198	120
44	232	148
51	269	179
61	275	179

⁴NSF certification

PVC-U BALL VALVES - INDUSTRIAL SERIES

VÁLVULAS DE BOLA PVC-U - SERIE INDUSTRIAL



Sizes	Solvent cement D16 - D110 (DN10-DN100) Threaded ½" - 4"	
Standards	Solvent socket - Metric, British Standard, ASTM, JIS Threaded - BSP, NPT Flanges: ISO Compression - metric, IPS, CTS	EN ISO 1452, EN ISO 15493, BS 4346-1, ASTM D 2467, JIS K 6743 ISO 228-1, ASTM D 2464 EN 558-1
Working pressure	@ 20°C (73°F) D16 - D63 (¾" - 2"): PN 16 (240 psi) D75 - D110 (2½" - 4"): PN 10 (150 psi)	
Materials	O-rings: EPDM / FPM	Ball seats: PTFE
Characteristics	<ul style="list-style-type: none"> • "Antiblock" system that avoids ball blockage. • 100% factory tested. • Available in PVC-U or Corzan® PVC-C. • Threaded seal carrier. • It allows the disassembling of the valve while maintaining system pressure. • Union ends for easy installation and removal. • Good mechanical strength. • Resistance to many inorganic chemicals. • Excellent flow characteristics. 	<ul style="list-style-type: none"> • Sistema "Antiblock" que evita el bloqueo de la bola. • Probadas al 100% en fábrica. • Disponibles en PVC-U y Corzan® PVC-C. • Portajuntas roscado. • Permite el desmontaje de la válvula manteniendo la instalación bajo presión. • Manguitos de unión pensados para su fácil instalación y mantenimiento. • Buena resistencia mecánica. • Resistencia a múltiples sustancias químicas inorgánicas. • Excelentes características de conducción.
Certifications / regulations	Ball valve design regulation - EN ISO 16135 NSF National Sanitation Foundation (USA) Only products bearing the NSF Mark are certified NSF 61 ½" thru 3" ASTM F1970	

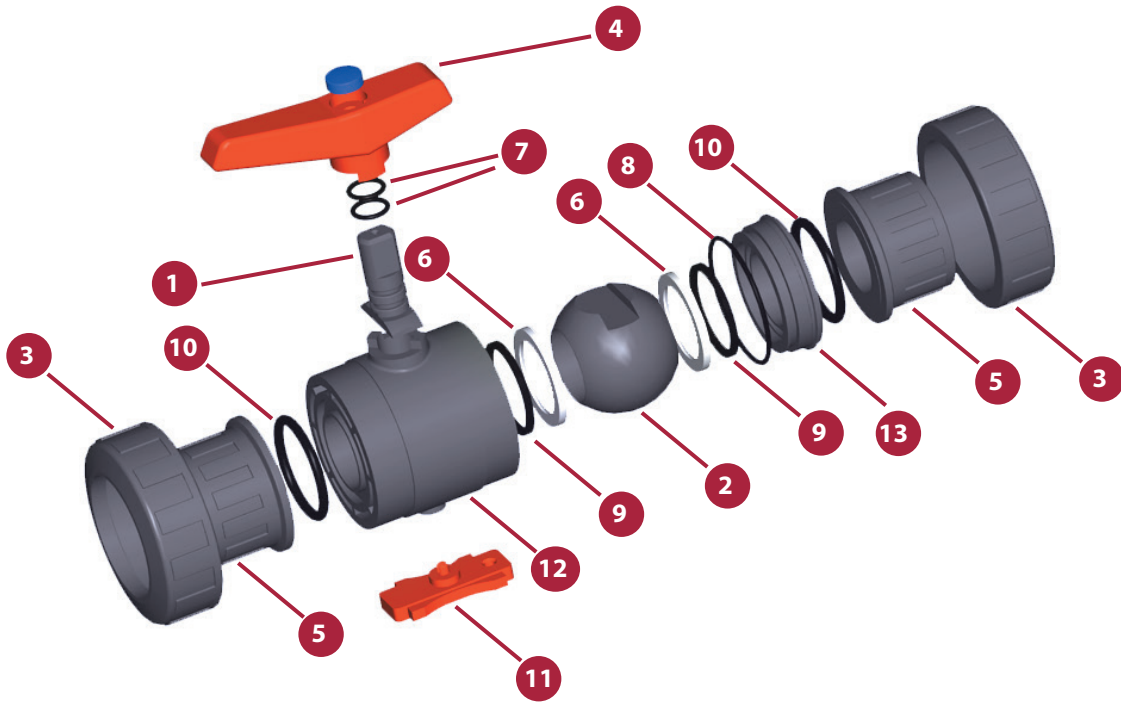
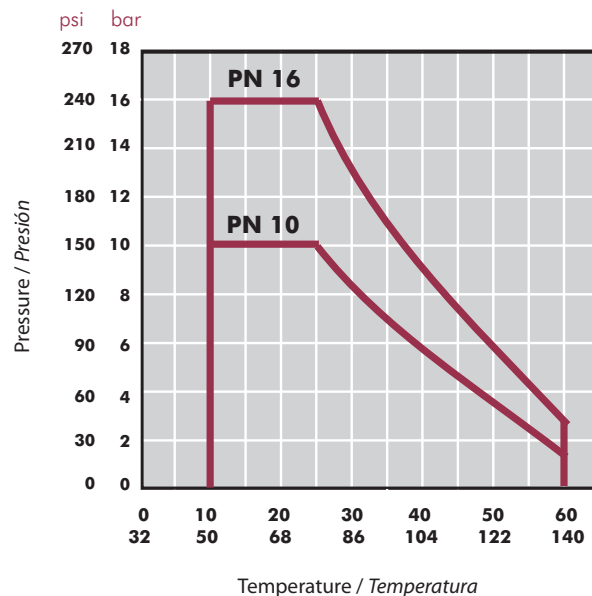


FIG.	Parts	Despiece	Material
1	Shaft	Eje	PVC-U
2	Ball	Bola	PVC-U
3	Union nut	Tuerca	PVC-U
4	Handle	Conjunto maneta	PP
5	End connector	Manguito enlace	PVC-U
6	Ball seat	Asiento bola	PTFE
7	Shaft o-ring	Junta eje	EPDM / FPM
8	Body o-ring	Junta cuerpo	EPDM / FPM
9	Dampener seal	Junta amortiguación	EPDM / FPM
10	End connector o-ring	Junta manguito	EPDM / FPM
11	Adjusting tool	Llave de regulación	ABS
12	Body	Cuerpo	PVC-U
13	Seal-carrier	Portajuntas	PVC-U

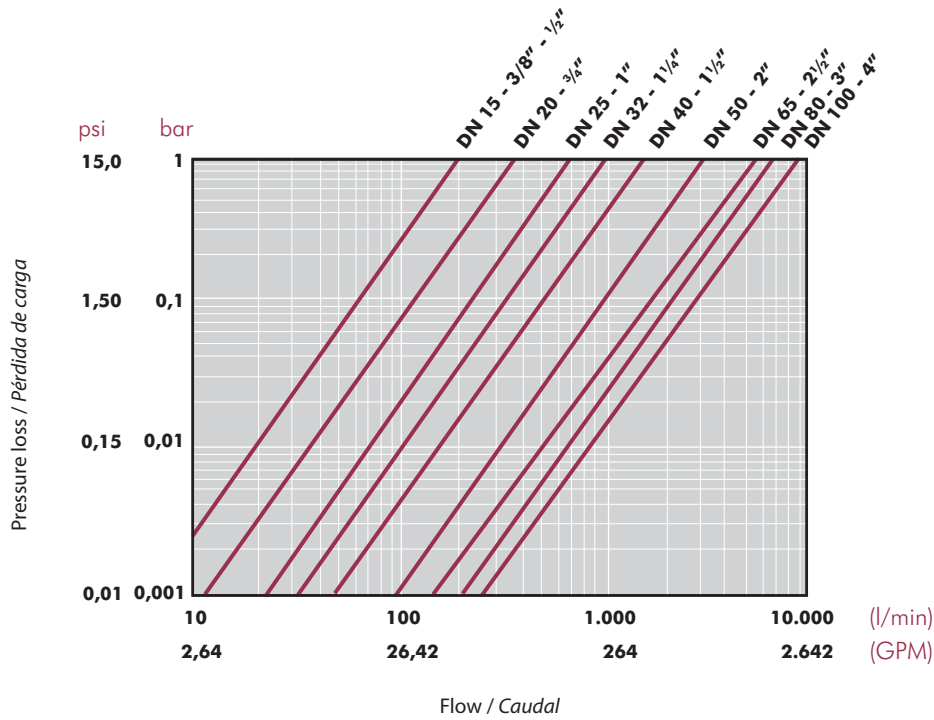
PRESSURE / TEMPERATURE GRAPH
DIAGRAMA PRESIÓN / TEMPERATURA



Life: 25 years
 Hydrostatic maximum pressure a component may withstand in continuous service (without overpressure)

Vida útil: 25 años
 Presión hidrostática máxima que un componente es capaz de soportar en servicio continuo (sin sobrepresión)

PRESSURE LOSS DIAGRAM
DIAGRAMA DE PÉRDIDAS DE CARGA



RELATIVE FLOW
FLUJO RELATIVO

D	16-3/8"	20-1/2"	25-3/4"	32-1"	40-1 1/4"	50-1 1/2"	63-2"	75-2 1/2"	90-3"	110-4"
DN	10	15	20	25	32	40	50	65	80	100
Kv ₁₀₀	75	190	380	690	980	1.600	3.000	5.500	6.800	8900
Cv	5,3	13,3	26,6	48,3	68,6	112	210,1	385,2	476,2	623,2

$Cv = Kv_{100} / 14,28$
 Kv_{100} (l/min, $\Delta p = 1$ bar)
 Cv (GPM, $\Delta p = 1$ psi)

TORQUE GRAPH
DIAGRAMA DE PAR

D	16-3/8"	20-1/2"	25-3/4"	32-1"	40-1 1/4"	50-1 1/2"	63-2"	75-2 1/2"	90-3"	110-4"
DN	10	15	20	25	32	40	50	65	80	100
Nm	1	1	2	3,5	3,5	5	15	25	45	60
in/lb	8,9	8,9	17,7	31	31	44,3	132,8	221,3	398,3	531

Operating torque values at rated pressure (PN) and 20 °C in as new direct from the factory condition. Installation and operating conditions (pressure and temperature) will affect these values. The actuator that is required for an automatic operation must be calculated according to some safety factors that were determined in life tests carried out in the factory.

Los valores de par de giro se determinan a presión nominal (PN) y a 20 °C, en condiciones de salida de fábrica. Las condiciones de instalación y operación (presión y temperatura) afectarán a estos valores. El actuador requerido para automatizar el giro debe ser calculado teniendo en cuenta ciertos coeficientes de seguridad que han sido determinados en pruebas de fatiga realizadas en fábrica.

ASSEMBLY INSTRUCTIONS

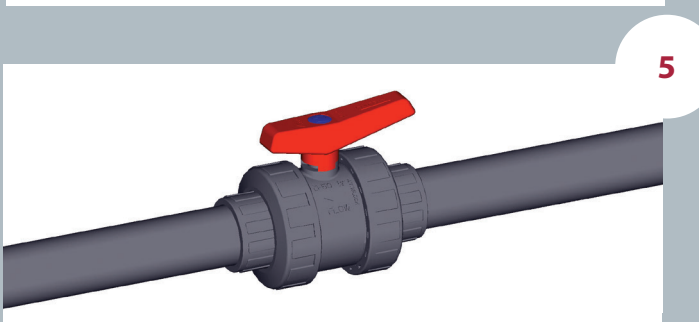
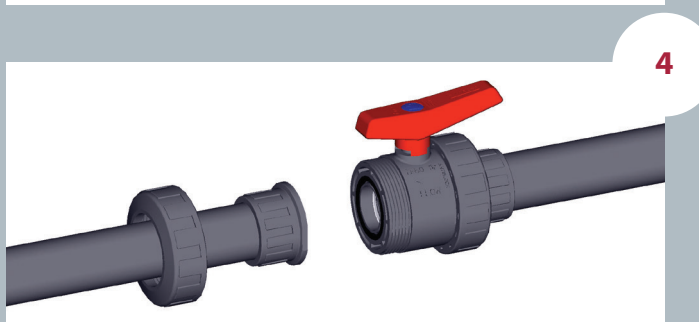
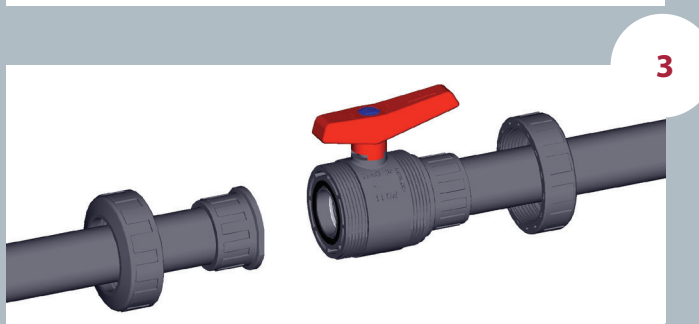
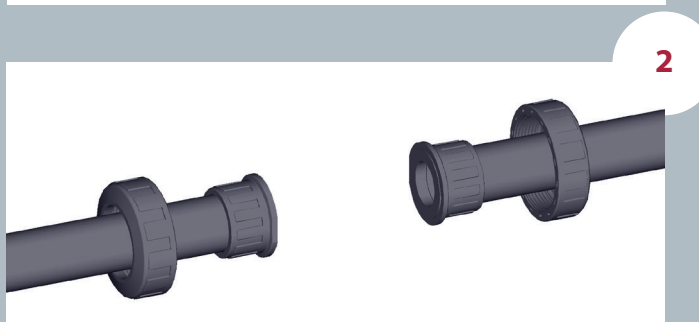
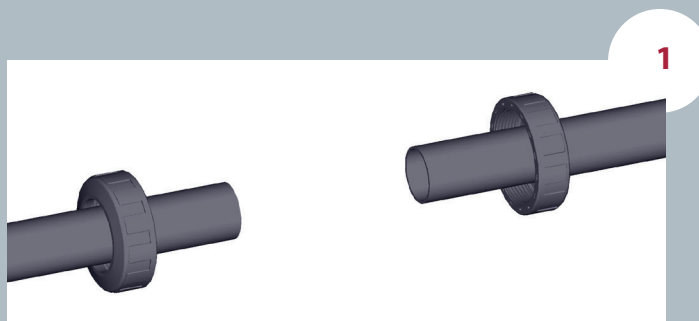
Solvent socket or threaded unions

Loosen the valve union nuts (3) and separate these and the end connectors (5) from the valve body. Pass the pipe through the nuts and then place the bushes over the end of the pipe. The socket unions should be glued onto the pipe using a PVC-U or PVC-C adhesive and pressure should not be applied to the system until a drying period of at least 1 hour per bar of working pressure has elapsed. In the case of threaded unions, PTFE tape should be applied to the male threads. The pipes can now be attached to the valve by hand tightening down the nuts.

INSTRUCCIONES DE MONTAJE

Uniones encoladas o roscadas

Afloje las tuercas (3) de la válvula y sepárelas de los manguitos (5). Introduzca las tuercas en los tubos y a continuación fije los manguitos en los extremos del tubo. Las uniones encoladas se realizarán con un adhesivo para tubos de PVC-U o PVC-C rígido y no se aplicará presión hasta transcurridas al menos 1 hora por bar. En las uniones roscadas se colocará cinta de PTFE en las roscas macho. A continuación ya podrá colocarse la válvula entre los manguitos y apretar a mano las tuercas sobre la válvula.



SEAL-CARRIER

Industrial Series - Threaded seal-carrier

Industrial Series feature a threaded seal-carrier instead of the push-fit system. The threaded seal-carrier allows for upstream maintenance without emptying the system.

A closed valve with a push-fit seal-carrier will not withstand system pressure: when the nut is disassembled, the seal-carrier gets free.

On the other side, a valve with a threaded seal-carrier will supports the system pressure thanks to the thread.

With Cepex valves, it is possible to disassemble the valve (only upstream) to carry out installation maintenance.

PORTAJUNTAS

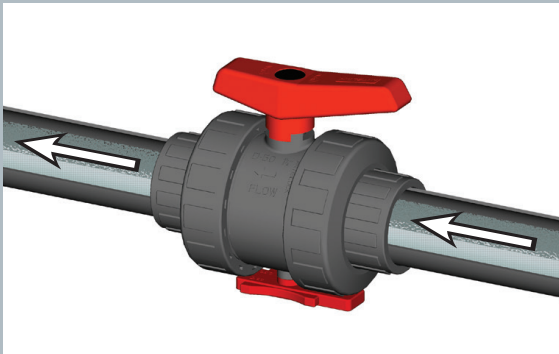
Serie Industrial - Portajuntas roscado

La Serie Industrial, al llevar el portajuntas roscado en vez de estar insertado a presión, permite el mantenimiento aguas arriba sin necesidad de vaciar el sistema.

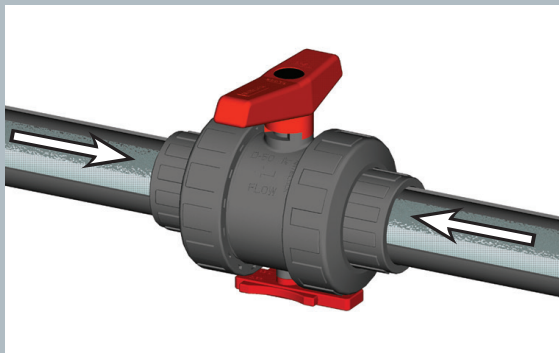
Con un portajuntas a presión, la presión del sistema (con la válvula cerrada) hace que éste salte al intentar desmontar la válvula.

Con un portajuntas roscado, al desmontar la válvula, la rosca aguanta toda la presión del sistema sin ceder.

Ahora podemos desmontar la válvula (en su parte aguas arriba) para realizar el mantenimiento de la instalación.

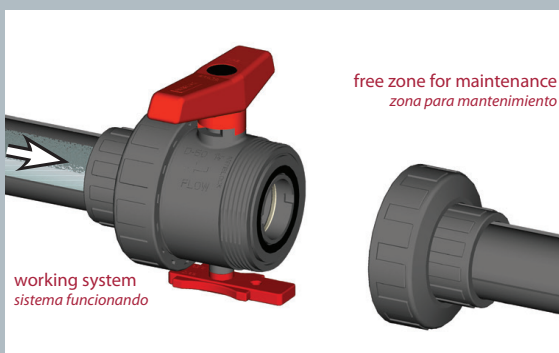


Fluid comes from the pump and goes through the open valve.
El fluido sale de la bomba y pasa por la válvula abierta.



When the valve is closed, fluid exerts pressure in both directions.

Cerrando la válvula, el fluido ejerce presión en ambos lados.



With the threaded seal-carrier, we are able to isolate the pump zone for maintenance. The thread is supporting the pressure of the system.

Con el portajuntas roscado, podemos aislar la zona de la bomba para su mantenimiento. La rosca aguanta la presión del sistema.

ADJUSTMENT AND MAINTENANCE OF THE VALVES

Provided that there is no pressure in the circuit, with the valve closed maintenance can be carried out on any component in the valve line.

The following steps can be carried out while maintaining system pressure.

The valve is factory adjusted to ensure correct operation over long periods of time. Nevertheless, it is possible to readjust the clamping force on the ball if it is required. This operation is carried out by using the adjusting tool (11) which is attached to the bottom of the valve.

To carry out this operation it is first necessary to disassemble the two nuts and remove the valve. Introduce the adjusting tool (11) into the slot which forms part of the seal-carrier (13) and turn the adjusting tool either (a) clockwise to loosen the seal or (b) anticlockwise to tighten the seal.

When the time comes to replace any part of the valve, this can be easily done. First, use the adjusting tool to turn the seal-carrier (13) clockwise until it comes free. At this stage, any of the body O-rings (6,8,9) or the ball (2) can be replaced. If it is necessary to change the shaft (1) or its O-rings (7), then the ball should be removed. It is also necessary to remove the handle (4) by loosening the screw which is found below the press-in logo in its centre. Pressing down will then free the shaft. Please beware that excessively tightening the seal holder will increase the valve actuating torque which in turn may cause problems with motorized actuators.

When reassembling the valve, lubricate the seals with vaseline or silicone. Never use greases or mineral oils.

REGULACIÓN Y MANTENIMIENTO DE LA VÁLVULA

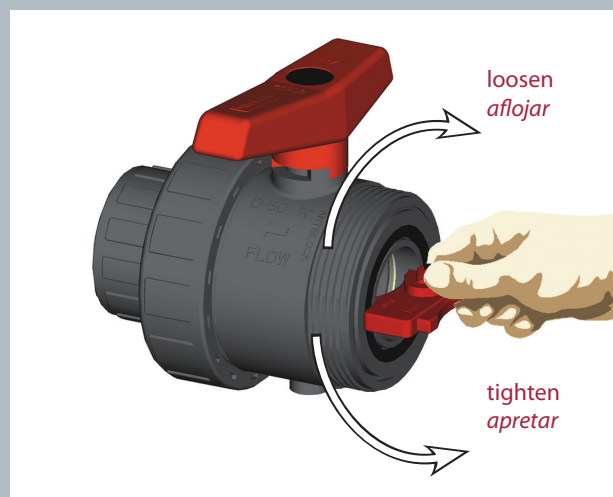
Es posible realizar el mantenimiento de cualquiera de los extremos de la línea conectados a la válvula manteniendo la instalación bajo presión. Simplemente cerrando la válvula, ésta actuará como tapón en cualquiera de los dos sentidos. Las operaciones a continuación descritas se realizarán siempre sin fluido en la línea.

La válvula está ajustada en fábrica para un correcto y prolongado funcionamiento. No obstante, es posible reajustar la fuerza de apriete de la junta de cierre sobre la bola cuando las condiciones de uso lo requieran. Esta operación se llevará a cabo con ayuda de la llave de regulación (11) que se adjunta en la parte inferior de la válvula.

Para ello desmonte las tuercas (3) de la válvula y extráigala de su alojamiento. Introduzca la llave (11) en la ranura que a tal efecto tiene el portajuntas (13) y gírela en sentido antihorario para apretar la junta y horario para aflojarla.

En caso se desgaste de algún componente de la válvula, podrá ser sustituido desmontando el conjunto del cuerpo de la válvula. Para ello proceda igual que con la regulación pero gire en sentido horario hasta que el portajuntas quede libre. Llegado este punto podrá sustituir cualquiera de las juntas del cuerpo (6,8,9) o la bola (2). Si fuera necesario sustituir el eje (1) o sus juntas (7) debería extraer la bola y además quitar la maneta (4) aflojando el tornillo que se encuentra bajo el logotipo y de esta forma, presionando hacia abajo, liberará el eje. Nótese que un apriete excesivo sobre el portajuntas puede influir en el par de accionamiento lo que puede perjudicar a los actuadores de válvulas motorizadas.

El montaje se realiza siguiendo el proceso inverso pero teniendo siempre la precaución de lubricar las juntas con vaselina neutra o silicona. No utilizar grasas o aceites minerales.



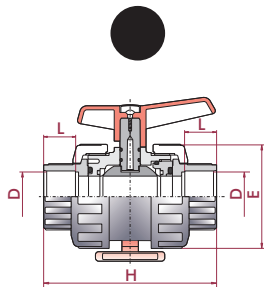
UP. 73. SF6. MA - PVC-U INDUSTRIAL BALL VALVE

"Industrial" ball valve

- PVC-U body
- Female solvent socket
- ASTM series
- Seating joints in PTFE
- O-Rings in EPDM
- Black dot

Válvula de bola "Industrial"

- Cuerpo en PVC-U
- Encolar hembra
- Serie ASTM
- Juntas asiento bola en PTFE
- Anillos tóricos en EPDM
- Distintivo negro



D	DN	PN	REF.	CODE
¾"	15	16	05 73 900 MA	21124
½"	15	16	05 73 901 MA ⁴	21125
¾"	20	16	05 73 902 MA ⁴	21126
1"	25	16	05 73 903 MA ⁴	21127
1¼"	32	16	05 73 904 MA ⁴	21128
1½"	40	16	05 73 905 MA ⁴	21129
2"	50	16	05 73 906 MA ⁴	21130
2½"	65	10	05 73 907 MA ⁴	21131
3"	80	10	05 73 908 MA ⁴	21132
4"	80	10	05 73 910 MA	21133
4"	100	10	05 73 911 MA	22064

L	H	E
14	84	52
16	84	52
19	108	62
22	124	70
26	142	84
31	167	104
38	198	120
44	232	148
51	269	179
63	359	228
63	359	228

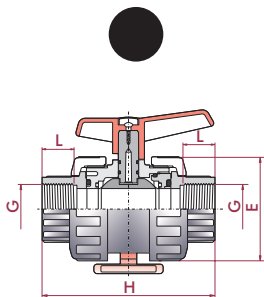
UP. 73. FT6. MA - PVC-U INDUSTRIAL BALL VALVE

"Industrial" ball valve

- PVC-U body
- NPT female thread
- Seating joints in PTFE
- O-Rings in EPDM
- Black dot

Válvula de bola "Industrial"

- Cuerpo en PVC-U
- Rosca hembra NPT
- Juntas asiento bola en PTFE
- Anillos tóricos en EPDM
- Distintivo negro



G	DN	PN	REF.	CODE
¾"	15	16	05 73 800	21134
½"	15	16	05 73 801 ⁴	21135
¾"	20	16	05 73 802 ⁴	21136
1"	25	16	05 73 803 ⁴	21137
1¼"	32	16	05 73 804 ⁴	21138
1½"	40	16	05 73 805 ⁴	21139
2"	50	16	05 73 806 ⁴	21140
2½"	65	10	05 73 807 ⁴	21141
3"	80	10	05 73 808 ⁴	21142
4"	100	10	05 73 811	22063

L	H	E
14	84	52
16	84	52
19	108	62
22	124	70
26	142	84
31	167	104
38	198	120
44	232	148
51	269	179
63	359	228

⁴NSF certification

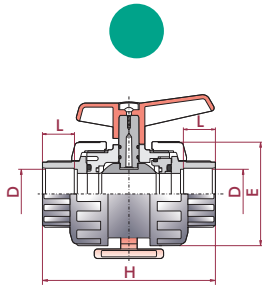
UP. 73. SF7.MA - PVC-U INDUSTRIAL BALL VALVE

"Industrial" ball valve

- PVC-U body
- Female solvent socket
- ASTM series
- Seating joints in PTFE
- O-Rings in FPM
- Green dot

Válvula de bola "Industrial"

- Cuerpo en PVC-U
- Encolar hembra
- Serie ASTM
- Juntas asiento bola en PTFE
- Anillos tóricos en FPM
- Distintivo verde



D	DN	PN	REF.	CODE
3/8"	15	16	05 73 900 AV	21144
1/2"	15	16	05 73 901 AV ⁴	21145
3/4"	20	16	05 73 902 AV ⁴	21146
1"	25	16	05 73 903 AV ⁴	21147
1 1/4"	32	16	05 73 904 AV ⁴	21148
1 1/2"	40	16	05 73 905 AV ⁴	21149
2"	50	16	05 73 906 AV ⁴	21150
2 1/2"	65	10	05 73 907 AV ⁴	21131VIT
3"	80	10	05 73 908 AV ⁴	21132VIT
4"	100	10	05 73 911 AV	22064VIT

L	H	E
14	84	52
16	84	52
19	108	62
22	124	70
26	142	84
31	167	104
38	198	120
44	232	148
51	269	179
61	359	228

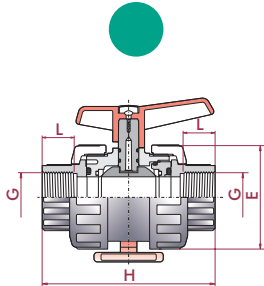
UP. 73. FT7.MA - PVC-U INDUSTRIAL BALL VALVE

"Industrial" ball valve

- PVC-U body
- NPT female thread
- Seating joints in PTFE
- O-Rings in FPM
- Green dot

Válvula de bola "Industrial"

- Cuerpo en PVC-U
- Rosca hembra NPT
- Juntas asiento bola en PTFE
- Anillos tóricos en FPM
- Distintivo verde



G	DN	PN	REF.	CODE
3/8"	15	16	05 73 800 VI	21154
1/2"	15	16	05 73 801 VI ⁴	21155
3/4"	20	16	05 73 802 VI ⁴	21156
1"	25	16	05 73 803 VI ⁴	21157
1 1/4"	32	16	05 73 804 VI ⁴	21158
1 1/2"	40	16	05 73 805 VI ⁴	21159
2"	50	16	05 73 806 VI ⁴	21160
2 1/2"	65	10	05 73 807 VI ⁴	21161
3"	80	10	05 73 808 VI ⁴	21162
4"	100	10	05 73 811 VI	22063VIT

L	H	E
14	84	52
16	84	52
19	108	62
22	124	70
26	142	84
31	167	104
38	198	120
44	232	148
51	269	179
61	359	228

⁴NSF certification

ConnectIT System

Connection possibilities - Cepex ball valves

Posibilidades de conexión - Válvulas de bola Cepex

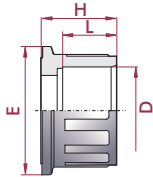


Connections for PVC-U Standard and Industrial ball valves
 Conexiones para válvulas de bola Standard e Industrial en PVC-U

UP. 22. SF. VA. MA - PVC-U BALL VALVE CONNECTIONS

Bush connection
 • Female solvent socket
 • ASTM series

Manguito conexión
 • Encolar hembra
 • Serie ASTM



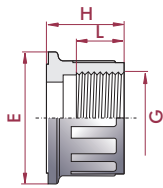
D	DN	PN	REF.	CODE
3/8"	10	16	05 22 900 AV	24247
1/2"	15	16	05 22 901 AV	24248
3/4"	20	16	05 22 902 AV	24249
1"	25	16	05 22 903 AV	24250
1 1/4"	32	16	05 22 904 AV	24251
1 1/2"	40	16	05 22 905 AV	24252
2"	50	16	05 22 906 AV	24253
2 1/2"	65	10	05 22 907 AV	28052
3"	80	10	05 22 908 AV	28053
4"	80	10	05 22 910 AV	22041
4"	100	10	05 22 911 AV	28054

L	H	E
14	21	37
16	21	37
19	27	43
22	30	51
26	36	62
31	43	73
38	51	93
44	57	118
51	64	144
61	70	147
63	82	188

UP. 22. FT. VA. MA - PVC-U BALL VALVE CONNECTIONS

Bush connection
 • NPT female thread

Manguito conexión
 • Rosca hembra NPT



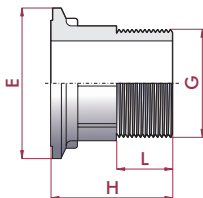
G	DN	PN	REF.	CODE
1/2"	15	10	05 22 801 VA	28055
3/4"	20	10	05 22 802 VA	28056
1"	25	10	05 22 803 VA	28057
1 1/4"	32	10	05 22 804 VA	28058
1 1/2"	40	10	05 22 805 VA	28059
2"	50	10	05 22 806 VA	28060
2 1/2"	65	10	05 22 807 VA	28071
3"	80	10	05 22 808 VA	28061
4"	80	10	05 22 810 VA	37082
4"	100	10	05 22 811 VA	28062

L	H	E
16	21	37
19	27	43
22	30	51
26	36	62
31	43	73
35	51	93
42	57	118
42	64	144
42	70	147
61	82	188

UP. 22. MT. VA - PVC-U BALL VALVE CONNECTIONS

Bush connection
 • NPT male thread

Manguito conexión
 • Rosca macho NPT



G	DN	PN	REF.	CODE
1/2"	15	10	05 22 821 VA	24305
3/4"	20	10	05 22 822 VA	24306
1"	25	10	05 22 823 VA	24307
1 1/4"	32	10	05 22 824 VA	24308
1 1/2"	40	10	05 22 825 VA	24309
2"	50	10	05 22 826 VA	24310
2 1/2"	65	10	05 22 827 VA	24311
3"	80	10	05 22 828 VA	24312
4"	80	10	05 22 830 VA	24313
4"	100	10	05 22 831 VA	32333

L	H	E
12	35	37
16	42	43
20	49	51
22	53	62
22	57	73
28	73	93
30	79	118
33	91	144
40	99	147
-	-	-

Connections for PVC-U [STD] ball valves
 Conexiones para válvulas de bola [STD] en PVC-U

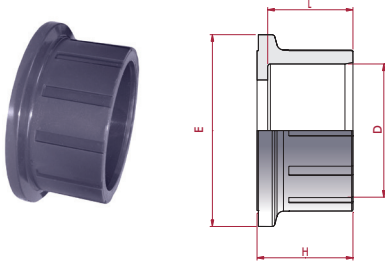
UP. **22ST**. SF. VA. MA - PVC-U BALL VALVE CONNECTIONS

Bush connection

- Female solvent socket
- ASTM series

Manguito conexión

- Encolar hembra
- Serie ASTM



D	DN	PN	REF.	CODE
½"	15	16	60 22 901 VA	54503
¾"	20	16	60 22 902 VA	54504
1"	25	16	60 22 903 VA	54505
1¼"	32	16	60 22 904 VA	54506
1½"	40	16	60 22 905 VA	54507
2"	50	16	60 22 906 VA	54508
2½"	65	10	60 22 907 VA	54509
3"	80	10	60 22 908 VA	54510
4"	100	10	60 22 911 VA	54511

L	H	E
16	20	34
19	23	43
22	29	50
26	32	60
31	36	72
38	43	91
44	50	115
51	59	141
61	81	188

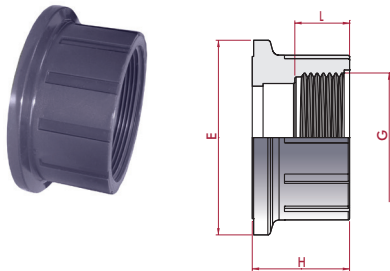
UP. **22ST**. FT. VA. MA - PVC-U BALL VALVE CONNECTIONS

Bush connection

- NPT female thread

Manguito conexión

- Rosca hembra NPT



G	DN	PN	REF.	CODE
½"	15	10	60 22 801 VA	50211
¾"	20	10	60 22 802 VA	50212
1"	25	10	60 22 803 VA	50213
1¼"	32	10	60 22 804 VA	50214
1½"	40	10	60 22 805 VA	50215
2"	50	10	60 22 806 VA	50216
2½"	65	10	60 22 807 VA	50217
3"	80	10	60 22 808 VA	50218
4"	100	10	60 22 811 VA	50219

L	H	E
13	20	34
15	23	43
18	29	50
20	32	60
20	36	72
24	43	91
43	50	115
49	59	141
42	81	188

PVC-U BALL VALVES - E-QUA SERIES

VÁLVULAS DE BOLA PVC-U - SERIE E-QUA



Sizes	Solvent cement D50 - D63 (DN45-DN50) Threaded 1½" - 2"	
Standards	Solvent socket - Metric, British, ASTM Threaded - BSP, NPT	EN ISO 1452, EN ISO 15493, BS 4346-1, ASTM D 2467 ISO 228-1, ASTM D 2464
Working pressure	@ 20°C (73°F) D50 - D63 (1½" - 2"): PN 12 (180 psi)	
Materials	O-rings: EPDM	Ball seats: HDPE
Characteristics	<ul style="list-style-type: none"> • "Antiblock" system that avoids ball blockage. • 100% factory tested. • Minimal pressure drop. • Low operating torque. • Resistance to many inorganic chemicals. • Ideally suited for swimming pool applications. • Excellent flow characteristics. 	<ul style="list-style-type: none"> • Sistema "Antiblock" que evita el bloqueo de la bola. • Probadas al 100% en fábrica. • Mínima pérdida de carga. • Bajo par de apertura y cierre. • Resistencia a múltiples sustancias químicas inorgánicas. • Especialmente indicada para aplicaciones de piscina. • Excelentes características de conducción.
Certifications / regulations	Ball valve design regulation - EN ISO 16135	

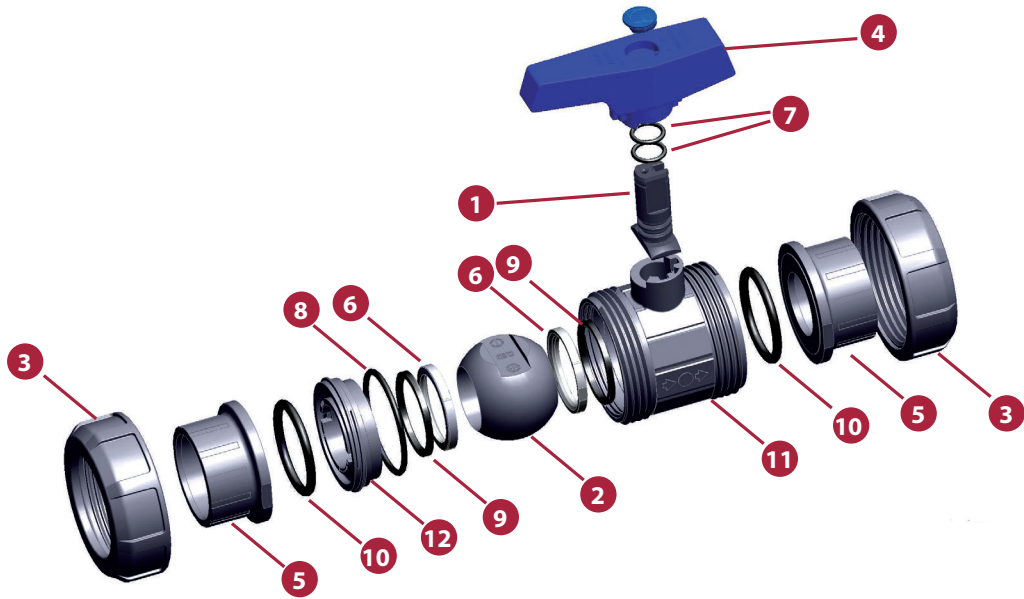
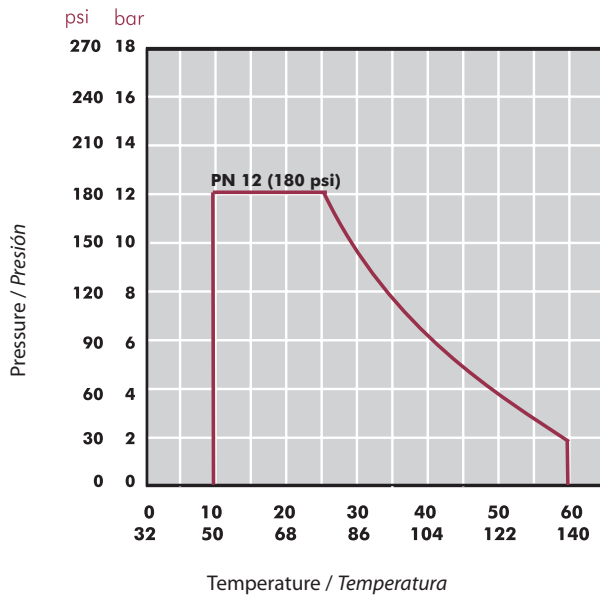


FIG.	Parts	Despiece	Material
1	Shaft	Eje	PVC-U
2	Ball	Bola	PVC-U
3	Union nut	Tuerca	PVC-U
4	Handle	Conjunto maneta	PP
5	End connector	Manguito enlace	PVC-U
6	Ball seat	Asiento bola	HDPE
7	Shaft o-ring	Junta eje	EPDM
8	Body o-ring	Junta cuerpo	EPDM
9	Dampener seal	Junta amortiguación	EPDM
10	End connector o-ring	Junta manguito	EPDM
11	Body	Cuerpo	PVC-U
12	Seal-carrier	Portajuntas	PVC-U

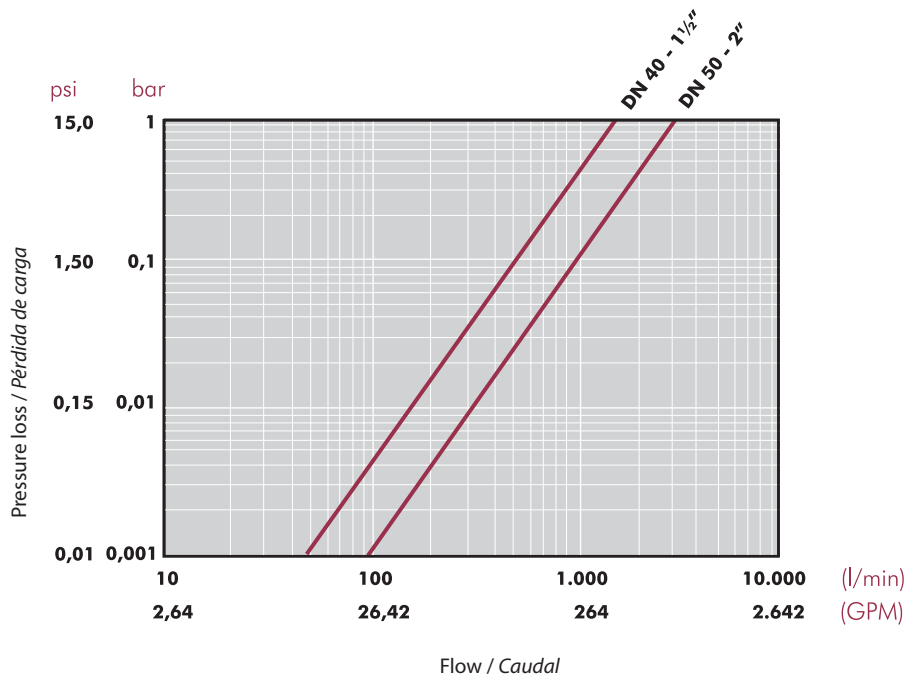
PRESSURE / TEMPERATURE GRAPH
DIAGRAMA PRESIÓN / TEMPERATURA



Life: 25 years
 Hydrostatic maximum pressure a component may withstand in continuous service (without overpressure)

Vida útil: 25 años
 Presión hidrostática máxima que un componente es capaz de soportar en servicio continuo (sin sobrepresión)

PRESSURE LOSS DIAGRAM
DIAGRAMA DE PÉRDIDAS DE CARGA



RELATIVE FLOW
FLUJO RELATIVO

D	50-1 1/2"	63-2"
DN	40	50
Kv ₁₀₀	1.600	3.000
Cv	112	210,1

$Cv = Kv_{100} / 14,28$
 Kv_{100} (l/min, Δp = 1 bar)
 Cv (GPM, Δp = 1 psi)

OPERATIONAL TORQUE CHART
TABLA DE PAR DE MANIOBRA

D	50-1 1/2"	63-2"
DN	40	50
Nm	5	15
in-lbf	44,3	132,8

Operating torque values at rated pressure (PN) and 20 °C in as new direct from the factory condition. Installation and operating conditions (pressure and temperature) will affect these values.

Los valores de par de giro se determinan a presión nominal (PN) y a 20 °C, en condiciones de salida de fábrica. Las condiciones de instalación y operación (presión y temperatura) afectarán a estos valores.

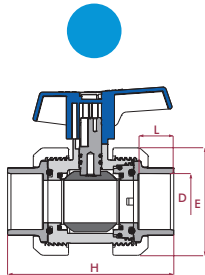
UP. **62EQ**. SF5. MA - PVC-U e-QUA BALL VALVE

e-QUA ball valve

- PVC-U body
- Female solvent socket
- ASTM series
- Seating joints in HDPE
- O-Rings in EPDM

Válvula de bola e-QUA

- Cuerpo en PVC-U
- Encolar hembra
- Serie ASTM
- Juntas asiento bola en HDPE
- Anillos tóricos en EPDM



D	DN	PN	REF.	CODE
1½"	40	12	60 62 905 MA	43735
2"	50	12	60 62 906 MA	43736

L	H	E
31	149	96
38	174	118

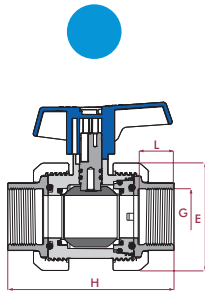
 UP. **62EQ**. FT5. MA - PVC-U e-QUA BALL VALVE

e-QUA ball valve

- PVC-U body
- NPT female thread
- Seating joints in HDPE
- O-Rings in EPDM

Válvula de bola e-QUA

- Cuerpo en PVC-U
- Rosca hembra NPT
- Juntas asiento bola en HDPE
- Anillos tóricos en EPDM



G	DN	PN	REF.	CODE
1½"	40	12	60 62 805	43750
2"	50	12	60 62 806	43751

L	H	E
31	149	96
38	174	118

PVC-U BALL VALVES - PN 10 SERIES

VÁLVULAS DE BOLA PVC-U - SERIE PN 10



Sizes	Solvent cement D16 - D110 (DN10-DN100) Threaded 3/8" - 4"	
Standards	Solvent socket - Metric Threaded - BSP Compression - metric, IPS, CTS	EN ISO 1452, EN ISO 15493 ISO 228-1
Working pressure	@ 20°C (73°F) D16 - D110 (3/8" - 4"): PN 10 (150 psi)	
Materials	O-rings: EPDM	Ball seats: HDPE
Characteristics	<ul style="list-style-type: none"> • "Antiblock" system that avoids ball blockage. • 100% factory tested. • Minimal pressure drop. • Low operating torque. • Resistance to many inorganic chemicals. • Excellent flow characteristics. 	<ul style="list-style-type: none"> • Sistema "Antiblock" que evita el bloqueo de la bola. • Probadas al 100% en fábrica. • Mínima pérdida de carga. • Bajo par de apertura y cierre. • Resistencia a múltiples sustancias químicas inorgánicas. • Excelentes características de conducción.
Certifications / regulations	Ball valve design regulation - EN ISO 16135	

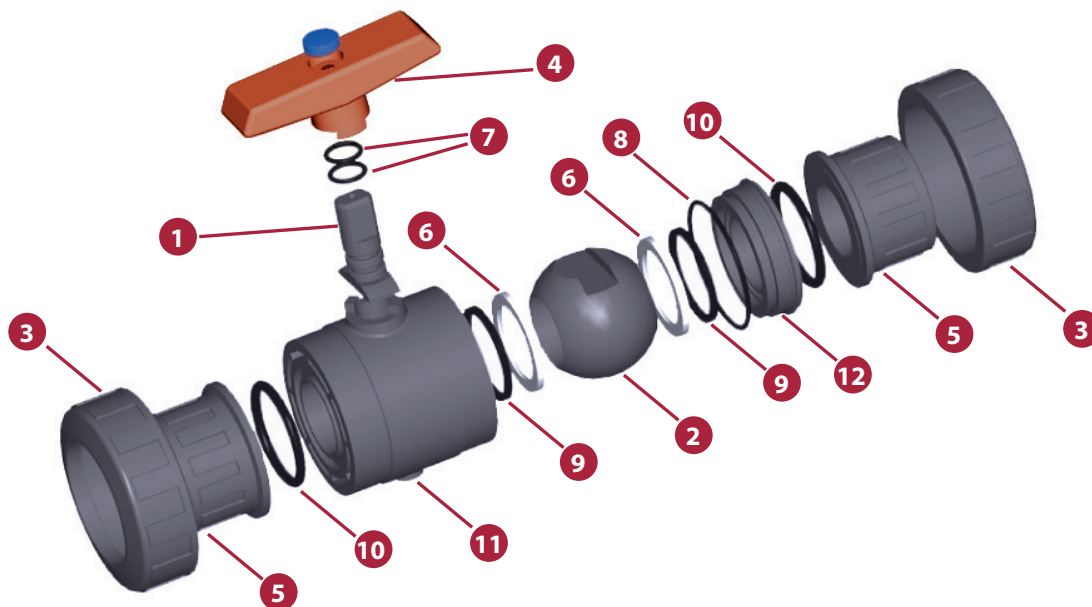
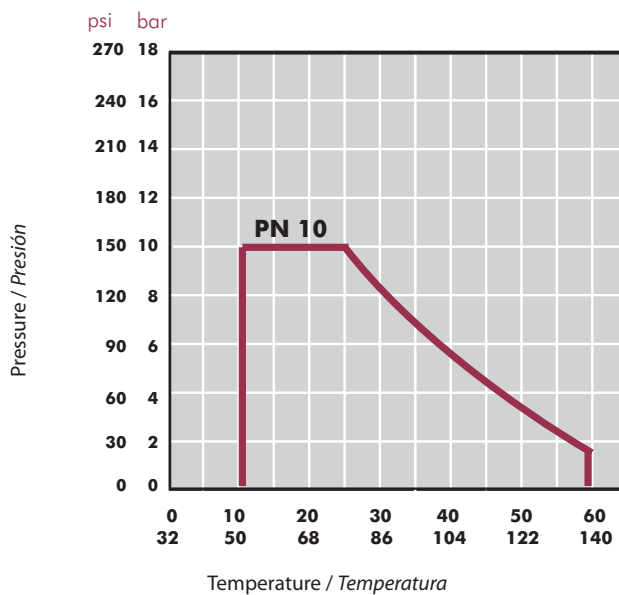


FIG.	Parts	Despiece	Material
1	Shaft	Eje	PVC-U
2	Ball	Bola	PVC-U
3	Union nut	Tuerca	PVC-U
4	Handle	Conjunto maneta	PP
5	End connector	Manguito enlace	PVC-U
6	Ball seat	Asiento bola	HDPE
7	Shaft o-ring	Junta eje	EPDM
8	Body o-ring	Junta cuerpo	EPDM
9	Dampener seal	Junta amortiguación	EPDM
10	End connector o-ring	Junta manguito	EPDM
11	Body	Cuerpo	PVC-U
12	Seal-carrier	Portajuntas	PVC-U

PRESSURE / TEMPERATURE GRAPH
DIAGRAMA PRESIÓN / TEMPERATURA

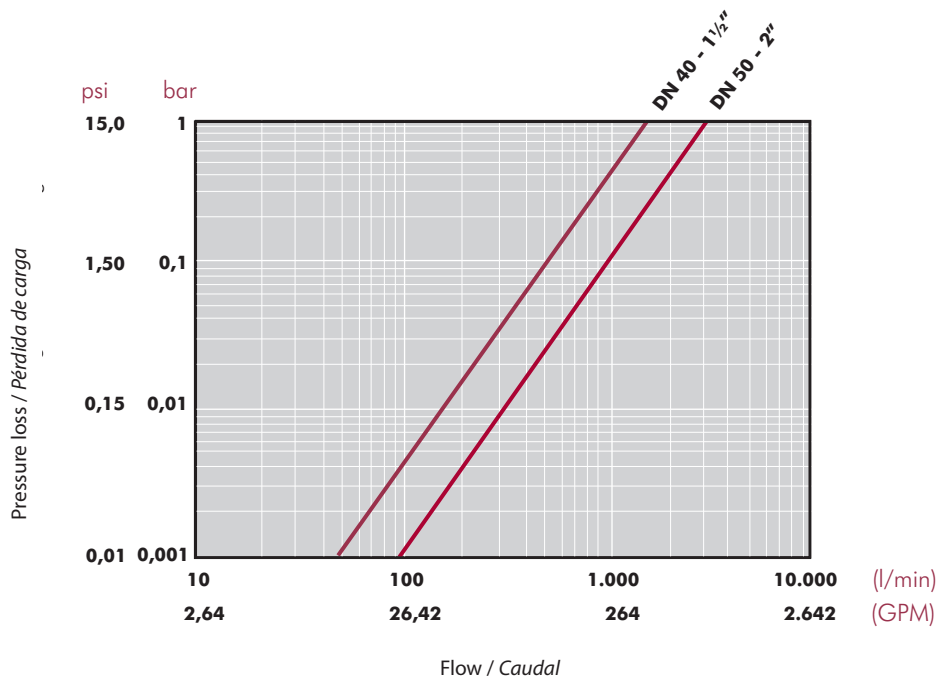


Life: 25 years
Hydrostatic maximum pressure a component may withstand in continuous service (without overpressure)

Vida útil: 25 años
Presión hidrostática máxima que un componente es capaz de soportar en servicio continuo (sin sobrepresión)

PRESSURE LOSS DIAGRAM

DIAGRAMA DE PÉRDIDAS DE CARGA



RELATIVE FLOW

FLUJO RELATIVO

D	50-1 1/2"	63-2"
DN	40	50
Kv ₁₀₀	1.600	3.000
Cv	112	210,1

$Cv = Kv_{100} / 14,28$
 Kv_{100} (l/min, $\Delta p = 1$ bar)
 Cv (GPM, $\Delta p = 1$ psi)

OPERATIONAL TORQUE CHART

TABLA DE PAR DE MANIOBRA

D	50-1 1/2"	63-2"
DN	40	50
Nm	5	15
in-lbf	44,3	132,8

Operating torque values at rated pressure (PN) and 20 °C in as new direct from the factory condition. Installation and operating conditions (pressure and temperature) will affect these values.

Los valores de par de giro se determinan a presión nominal (PN) y a 20 °C, en condiciones de salida de fábrica. Las condiciones de instalación y operación (presión y temperatura) afectarán a estos valores.

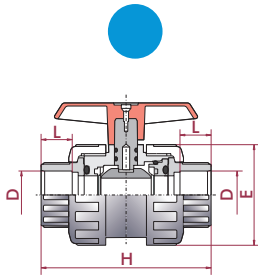
UP. 62. SF5. MA - PVC-U PN10 BALL VALVE

"PN 10" ball valve

- PVC-U body
- Female solvent socket
- ASTM series
- Seating joints in HDPE
- O-Rings in EPDM

Válvula de bola "PN 10"

- Cuerpo en PVC-U
- Encolar hembra
- Serie ASTM
- Juntas asiento bola en HDPE
- Anillos tóricos en EPDM



D	DN	PN	REF.	CODE
1½"	40	10	05 62 905 MA	06621
2"	50	10	05 62 906 MA	06622

L	H	E
31	162	94
38	192	117

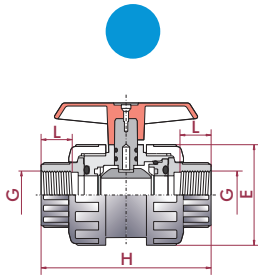
UP. 62. FT5. MA - PVC-U PN10 BALL VALVE

"PN 10" ball valve

- PVC-U body
- NPT female thread
- Seating joints in HDPE
- O-Rings in EPDM

Válvula de bola "PN 10"

- Cuerpo en PVC-U
- Rosca hembra NPT
- Juntas asiento bola en HDPE
- Anillos tóricos en EPDM



G	DN	PN	REF.	CODE
1½"	40	10	05 62 805	06623
2"	50	10	05 62 806	06624

L	H	E
31	162	94
38	192	117

PVC-U BALL VALVES - UNIBLOCK SERIES

VÁLVULAS DE BOLA PVC-U - SERIE UNIBLOCK



Sizes	Solvent cement D20 - D110 (DN15-DN100) Threaded ½" - 4"	
Standards	Solvent socket - Metric, British standard, ASTM Threaded - BSP, NPT Compression - metric, IPS, CTS	EN ISO 1452, EN ISO 15493, BS 4346-1, ASTM D 2467 ISO 228-1, ASTM D 2464
Working pressure	@ 20°C (73°F) D20 - D110 (1/2" - 4"): PN 10 (150 psi)	
Materials	O-rings: EPDM	Ball seats: HDPE
Characteristics	<ul style="list-style-type: none"> • "Antiblock" system that avoids ball blockage. • 100% factory tested. • Low maintenance. • Fast replacement of O-Rings and ball seat without additional tools. • Excellent flow characteristics. • Easy to install. • Light weight. • Ideally suited for irrigation and swimming pools. 	<ul style="list-style-type: none"> • Sistema "Antiblock" que evita el bloqueo de la bola. • Probadas al 100% en fábrica. • Larga vida sin mantenimiento. • Reemplazo rápido de las juntas y de la junta de asiento de la bola sin herramientas adicionales. • Excelentes características de conducción. • Fácil de instalar. • Ligera. • Especialmente indicada para riego y piscina.
Certifications / regulations	Ball valve design regulation - EN ISO 16135 NSF National Sanitation Foundation (USA) Only products bearing the NSF Mark are certified NSF 61 1½" thru 2" Socketed 1½" thru 2" Threaded ASTM F1970	

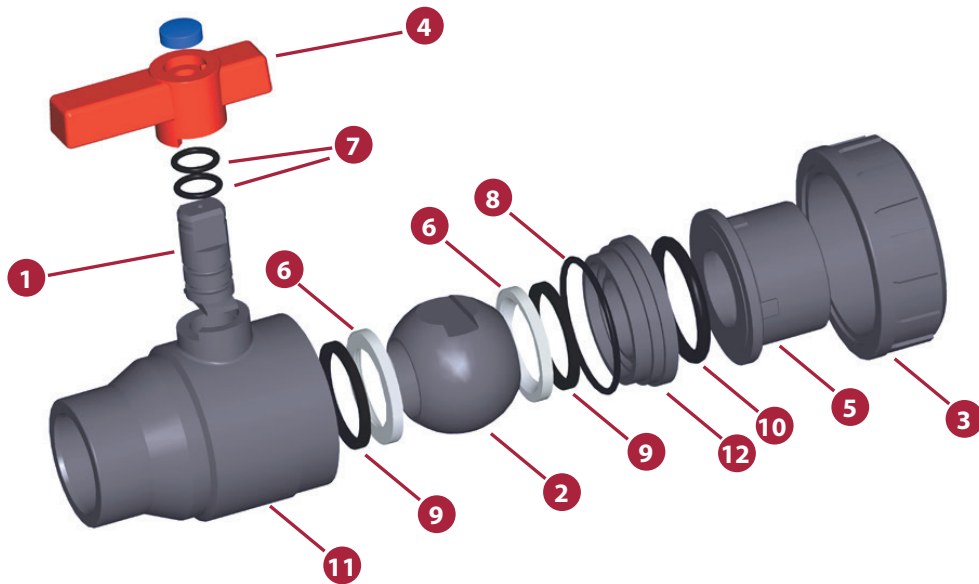
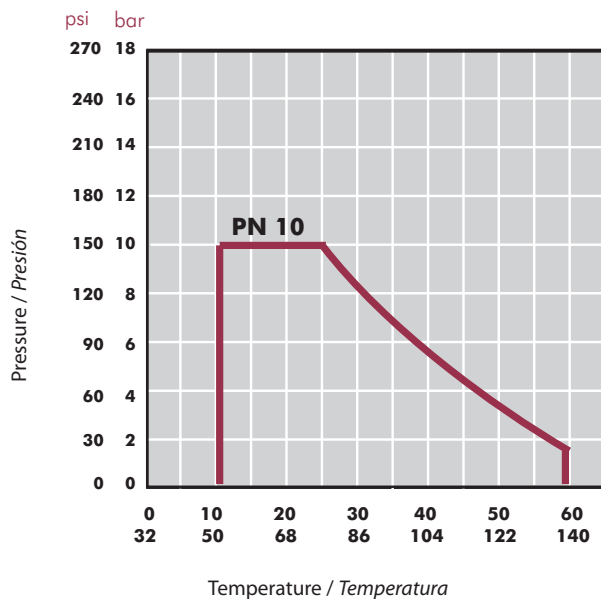


FIG.	Parts	Despiece	Material
1	Shaft	Eje	PVC-U
2	Ball	Bola	PVC-U
3	Union nut	Tuerca	PVC-U
4	Handle	Conjunto maneta	ABS
5	End connector	Manguito enlace	PVC-U
6	Ball seat	Asiento bola	HDPE
7	Shaft o-ring	Junta eje	EPDM
8	Body o-ring	Junta cuerpo	EPDM
9	Dampener seal	Junta amortiguación	EPDM
10	End connector o-ring	Junta manguito	EPDM
11	Body	Cuerpo	PVC-U
12	Seal-carrier	Portajuntas	PVC-U

PRESSURE / TEMPERATURE GRAPH
DIAGRAMA PRESIÓN / TEMPERATURA

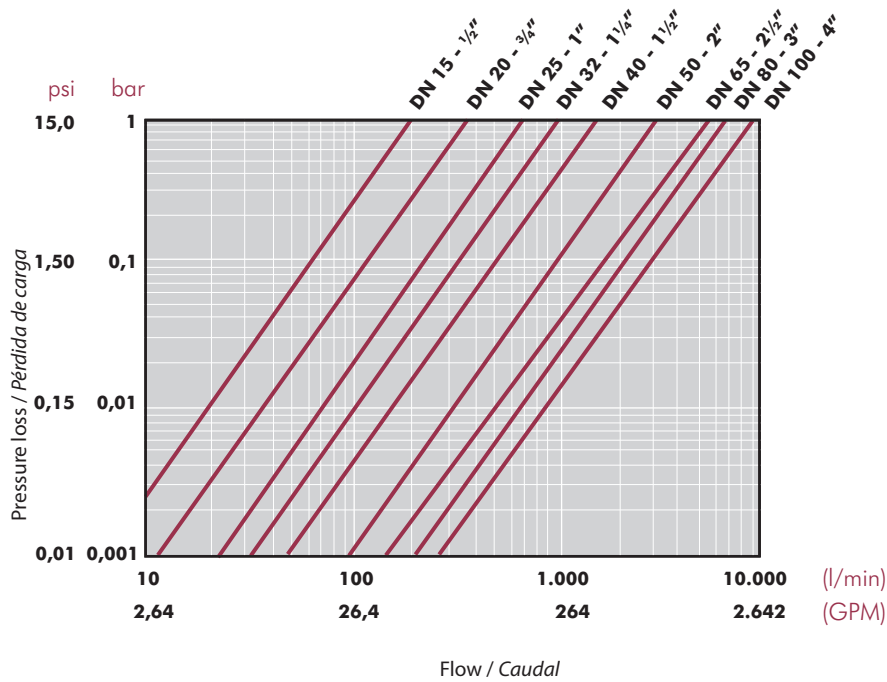


Life: 25 years
 Hydrostatic maximum pressure a component may withstand in continuous service (without overpressure)

Vida útil: 25 años
Presión hidrostática máxima que un componente es capaz de soportar en servicio continuo (sin sobrepresión)

PRESSURE LOSS DIAGRAM

DIAGRAMA DE PÉRDIDAS DE CARGA



RELATIVE FLOW

FLUJO RELATIVO

D	20-1/2"	25-3/4"	32-1"	40-1 1/4"	50-1 1/2"	63-2"	75-2 1/2"	90-3"	110-4"
DN	15	20	25	32	40	50	65	80	100
Kv₁₀₀	190	380	690	980	1.600	3.000	5.500	6.800	8900
Cv	13,3	26,6	48,3	68,6	112	210,1	385,2	476,2	623,2

$Cv = Kv_{100} / 14,28$
 Kv_{100} (l/min, $\Delta p = 1$ bar)
 Cv (GPM, $\Delta p = 1$ psi)

OPERATIONAL TORQUE CHART

TABLA DE PAR DE MANIOBRA

D	20-1/2"	25-3/4"	32-1"	40-1 1/4"	50-1 1/2"	63-2"	75-2 1/2"	90-3"	110-4"
DN	15	20	25	32	40	50	65	80	100
Nm	1	2	3,5	3,5	5	15	25	45	60
in-lbf	8,9	17,7	31	31	44,3	132,8	221,3	398,3	531

Operating torque values at rated pressure (PN) and 20 °C in as new direct from the factory condition. Installation and operating conditions (pressure and temperature) will affect these values.

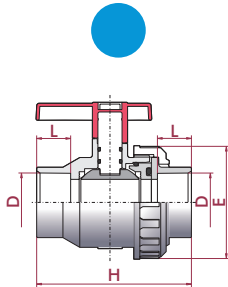
Los valores de par de giro se determinan a presión nominal (PN) y a 20 °C, en condiciones de salida de fábrica. Las condiciones de instalación y operación (presión y temperatura) afectarán a estos valores.

UP. 70S. SF5. MA - PVC-U UNIBLOCK BALL VALVE
"Uniblock" ball valve

- PVC-U body
- Female solvent socket
- ASTM series
- Seating joints in HDPE
- O-Rings in EPDM

Válvula de bola "Uniblock"

- Cuerpo en PVC-U
- Encolar hembra
- Serie ASTM
- Juntas asiento bola en HDPE
- Anillos tóricos en EPDM



D	DN	PN	REF.	CODE
½"	15	10	05 70 901 MA	32170
¾"	20	10	05 70 902 MA	32171
1"	25	10	05 70 903 MA	32172
1¼"	32	10	05 70 904 MA	32173
1½"	40	10	05 70 905 MA	32174
2"	50	10	05 70 906 MA	32175
2½"	65	10	05 70 907 MA	32176
3"	80	10	05 70 908 MA	32177

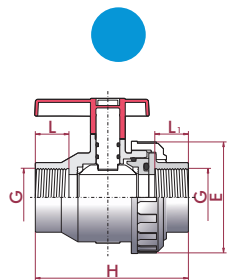
L	H	E
16	81	52
19	99	60
22	111	69
26	130	84
31	135	94
30	169	116
44	220	128
51	256	178

UP. 70S. FT5. MA - PVC-U UNIBLOCK BALL VALVE
"Uniblock" ball valve

- PVC-U body
- NPT female thread
- Seating joints in HDPE
- O-Rings in EPDM

Válvula de bola "Uniblock"

- Cuerpo en PVC-U
- Rosca hembra NPT
- Juntas asiento bola en HDPE
- Anillos tóricos en EPDM



G	DN	PN.	REF.	CODE
½"	15	10	05 70 801	32178
¾"	20	10	05 70 802	32179
1"	25	10	05 70 803	32180
1¼"	32	10	05 70 804	32181
1½"	40	10	05 70 805	32182
2"	50	10	05 70 806	32183
2½"	65	10	05 70 807	32184
3"	80	10	05 70 808	32185

L	H	E
16	81	52
19	99	60
19	111	69
23	130	84
31	135	94
34	169	116
44	220	128
51	256	178

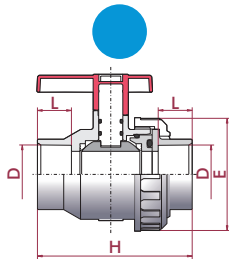
UP. 70S. SF5. MA. BL - PVC-U UNIBLOCK BALL VALVE

"Uniblock" ball valve

- PVC-U body
- Female solvent socket
- ASTM series
- Seating joints in HDPE
- O-Rings in EPDM

Válvula de bola "Uniblock"

- Cuerpo en PVC-U
- Encolar hembra
- Serie ASTM
- Juntas asiento bola en HDPE
- Anillos tóricos en EPDM



D	DN	PN	REF.	CODE
½"	15	10	05 70 901 MABL	22097
¾"	20	10	05 70 902 MABL	22098
1"	25	10	05 70 903 MABL	22099
1¼"	32	10	05 70 904 MABL	22100
1½"	40	10	05 70 905 MABL ⁴	11373
2"	50	10	05 70 906 MABL ⁴	15695
2½"	65	10	05 70 907 MABL	27420
3"	80	10	05 70 908 MABL	27421

L	H	E
16	81	52
19	99	60
22	111	69
26	130	84
31	135	94
30	169	116
44	220	128
51	256	178

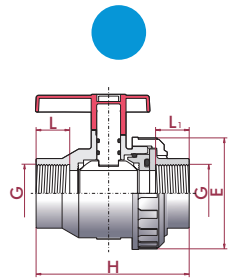
UP. 70S. FT5. MA. BL - PVC-U UNIBLOCK BALL VALVE

"Uniblock" ball valve

- PVC-U body
- NPT female thread
- Seating joints in HDPE
- O-Rings in EPDM

Válvula de bola "Uniblock"

- Cuerpo en PVC-U
- Rosca hembra NPT
- Juntas asiento bola en HDPE
- Anillos tóricos en EPDM



G	DN	PN.	REF.	CODE
½"	15	10	05 70 801 BL	22093
¾"	20	10	05 70 802 BL	22094
1"	25	10	05 70 803 BL	22095
1¼"	32	10	05 70 804 BL	22096
1½"	40	10	05 70 805 BL ⁴	11381
2"	50	10	05 70 806 BL ⁴	15699
2½"	65	10	05 70 807 BL	27418
3"	80	10	05 70 808 BL	27419

L	H	E
16	81	52
19	99	60
19	111	69
23	130	84
31	135	94
34	169	116
44	220	128
51	256	178

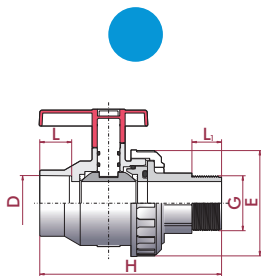
UP. 70S. MT5. MA. BL - PVC-U UNIBLOCK BALL VALVE

"Uniblock" ball valve

- PVC-U body
- Female solvent socket body & NPT male thread union
- Seating joints in HDPE
- O-Rings in EPDM

Válvula de bola "Uniblock"

- Cuerpo en PVC-U
- Cuerpo encolar hembra y manguito rosca macho NPT
- Juntas asiento bola en HDPE
- Anillos tóricos en EPDM



G	DN	PN	REF.	CODE
½"	15	10	05 70 941 MABL	22081
¾"	20	10	05 70 942 MABL	22082
1"	25	10	05 70 943 MABL	22083
1¼"	32	10	05 70 944 MABL	22084
1½"	40	10	05 70 945 MABL ⁴	11378
2"	50	10	05 70 946 MABL ⁴	15697
2½"	65	10	05 70 947 MABL	27422
3"	80	10	05 70 948 MABL	27423

L	L ₁	H	E
16	12	93	52
19	16	115	60
22	20	131	69
26	21	147	84
31	21	155	94
30	28	195	116
44	30	243	128
51	33	283	178

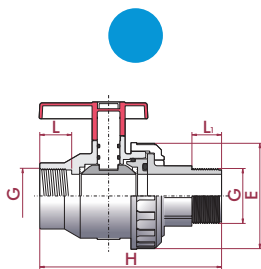
UP. 70F. MT5. MA. BL - PVC-U UNIBLOCK BALL VALVE

"Uniblock" ball valve

- PVC-U body
- NPT female thread body & NPT male thread union
- Seating joints in HDPE
- O-Rings in EPDM

Válvula de bola "Uniblock"

- Cuerpo en PVC-U
- Cuerpo rosca hembra NPT y manguito rosca macho NPT
- Juntas asiento bola en HDPE
- Anillos tóricos en EPDM



G	DN	PN	REF.	CODE
½"	15	10	05 70 821 BL	22178
¾"	20	10	05 70 822 BL	22179
1"	25	10	05 70 823 BL	22180
1¼"	32	10	05 70 824 BL	22181
1½"	40	10	05 70 825 BL ⁴	11380
2"	50	10	05 70 826 BL ⁴	15698
2½"	65	10	05 70 827 BL	27426
3"	80	10	05 70 828 BL	27427

L	L ₁	H	E
16	12	93	52
19	16	115	60
19	20	131	69
23	21	147	84
31	21	155	94
34	28	195	116
44	30	243	128
51	33	283	178

⁴ NSF certification

PVC-U BALL VALVES - 3-WAY SERIES

VÁLVULAS DE BOLA PVC-U - SERIE 3 VÍAS



Sizes	Solvent cement D50 (DN40) Threaded 1½"	
Standards	Solvent socket - Metric, British standard, ASTM Threaded - BSP, NPT	EN ISO 1452, EN ISO 15493, BS 4346-1, ASTM D 2467 ISO 228-1, ASTM D 2464
Working pressure	@ 20°C (73°F) D50 (1½"): PN 10 (150 psi)	
Materials	O-rings: EPDM	Ball seats: HDPE
Characteristics	<ul style="list-style-type: none"> • The flow can be diverted 90° or directed to intermediate ports. • The ball, with its T-shape flow pass, allows the following options: <ul style="list-style-type: none"> - Three way valve, maximum flow. - Two way valve 90° ports, third way closed. • Self-centering ball with 4 seats. • Handle can be positively located for maximum performance intermediate positions. 	<ul style="list-style-type: none"> • El paso del fluido puede derivarse a 90° o a puertos intermedios. • La bola, con paso del fluido en forma de "T", permite diferentes posiciones: <ul style="list-style-type: none"> - Tres vías abiertas, caudal máximo. - Dos vías a 90°, tercera cerrada. • Bola autocentrable con 4 asientos. • Sistema de anclaje en la maneta para trabajar en posiciones intermedias con máximo rendimiento.
Certifications / regulations		

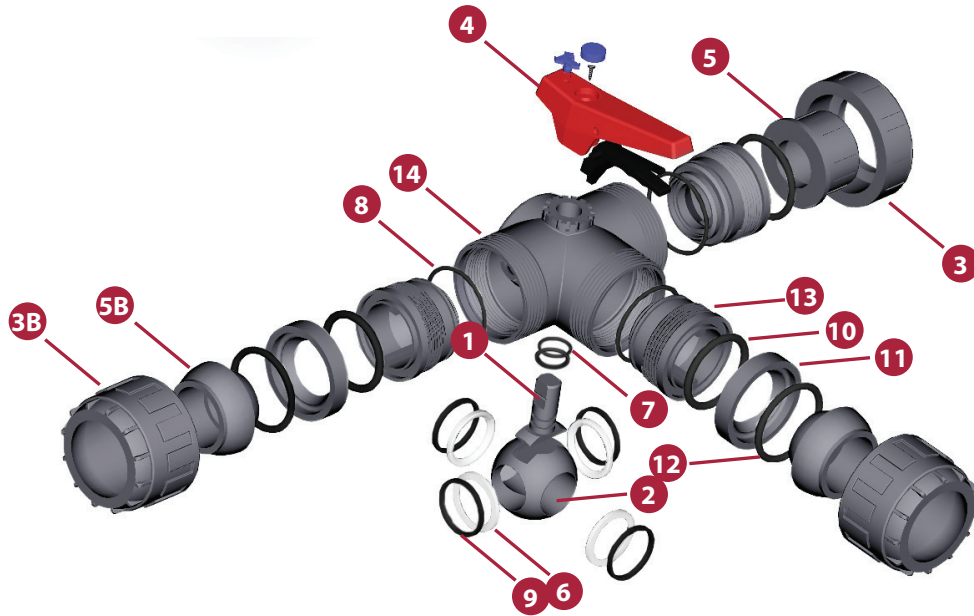
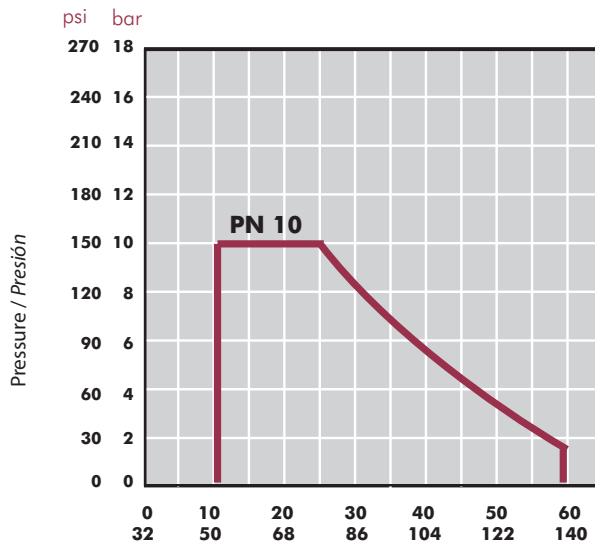


FIG.	Parts	Despiece	Material
1	Shaft	Eje	PVC-U
2	Ball	Bola	PVC-U
3	Union nut	Tuerca	PVC-U
3B	Self-align union nut	Tuerca orientable	PVC-U
4	Handle	Conjunto maneta	PP
5	End connector	Manguito enlace	PVC-U
5B	Self-align end connector	Manguito enlace orientable	PVC-U
6	Ball seat	Asiento bola	HDPE
7	Stem o-ring	Junta eje	EPDM
8	Body o-ring	Junta cuerpo	EPDM
9	Dampener seal	Junta amortiguación	EPDM
10	End connector o-ring	Junta manguito	EPDM
11	Ball-and-socket joint	Rótula	PVC-U
12	Ball-and-socket joint o-ring	Junta rótula	PE
13	Seal-carrier	Portajuntas	PVC-U
14	Body	Cuerpo	PVC-U

PRESSURE / TEMPERATURE GRAPH
DIAGRAMA PRESIÓN / TEMPERATURA

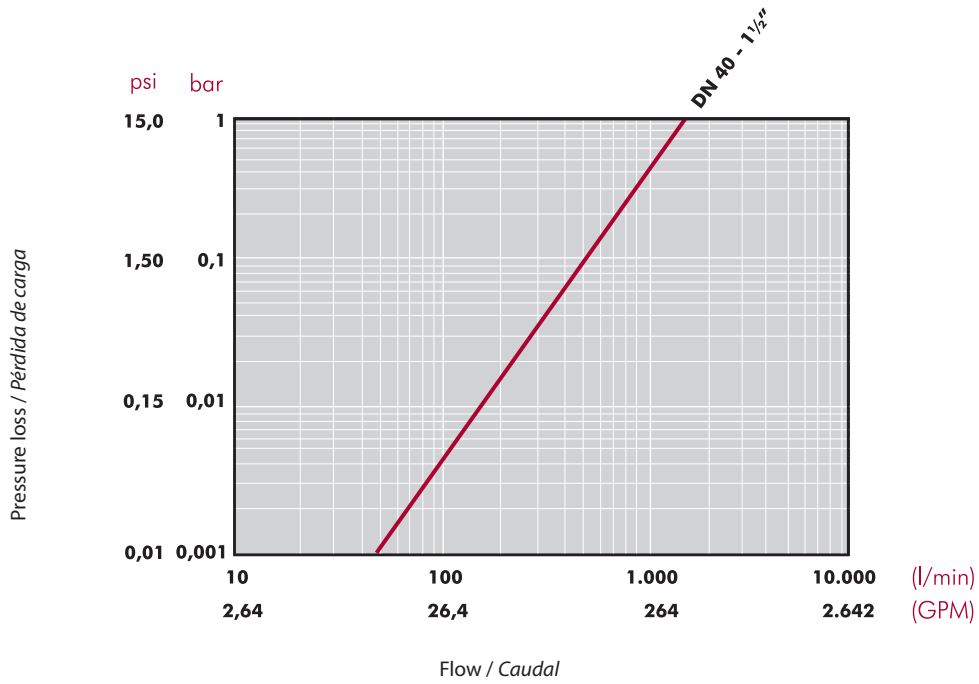


Life: 25 years
 Hydrostatic maximum pressure a component may withstand in continuous service (without overpressure)

Vida útil: 25 años
 Presión hidrostática máxima que un componente es capaz de soportar en servicio continuo (sin sobrepresión)

PRESSURE LOSS DIAGRAM

DIAGRAMA DE PÉRDIDAS DE CARGA



RELATIVE FLOW

FLUJO RELATIVO

D	50-1½"
DN	40
Kv ₁₀₀	1.050
Cv	73,5

$Cv = Kv_{100} / 14,28$
 Kv_{100} (l/min, Δp = 1 bar)
 Cv (GPM, Δp = 1 psi)

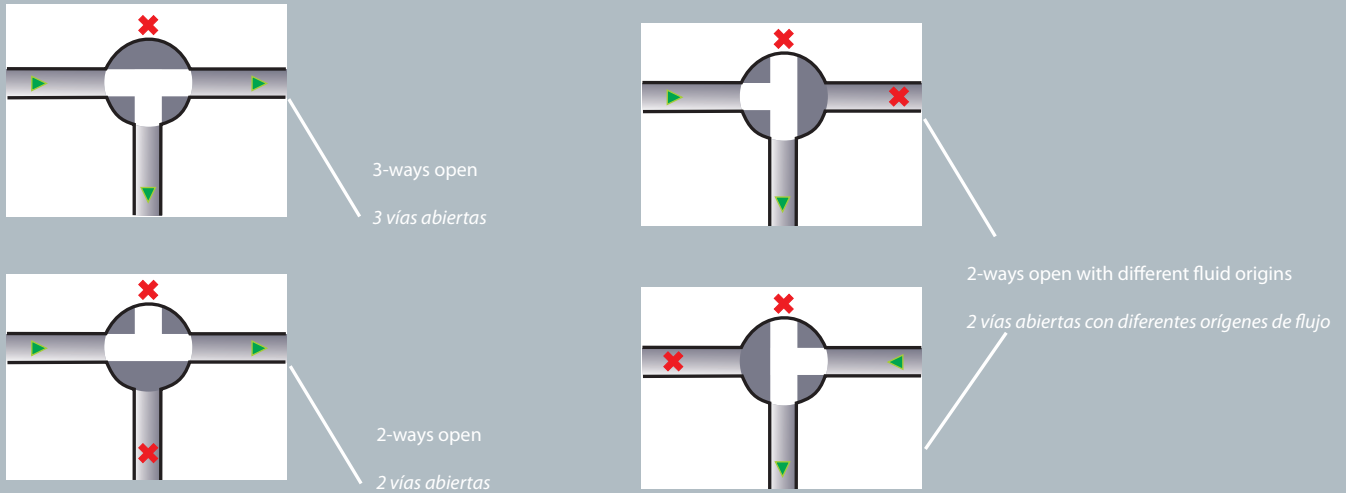
OPERATIONAL TORQUE CHART

TABLA DE PAR DE MANIOBRA

D	50-1½"
DN	40
Nm	5
in·lbf	44,3

Operating torque values at rated pressure (PN) and 20 °C in as new direct from the factory condition. Installation and operating conditions (pressure and temperature) will affect these values. The actuator that is required for an automatic operation must be calculated according to some safety factors that were determined in life tests carried out in the factory.

Los valores de par de giro se determinan a presión nominal (PN) y a 20 °C, en condiciones de salida de fábrica. Las condiciones de instalación y operación (presión y temperatura) afectarán a estos valores. El actuador requerido para automatizar el giro debe ser calculado teniendo en cuenta ciertos coeficientes de seguridad que han sido determinados en pruebas de fatiga realizadas en fábrica.



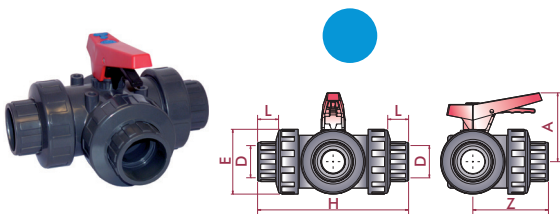
UP. 74. SF1. MA - PVC-U 3-WAY BALL VALVES

3-way ball valve

- PVC-U body
- Female solvent socket
- ASTM series
- Seating joints in HDPE
- O-Rings in EPDM

Válvula de bola 3 vías

- Cuerpo en PVC-U
- Encolar hembra
- Serie ASTM
- Juntas asiento bola en HDPE
- Anillos tóricos en EPDM



G	DN	PN	REF.	CODE
1½	40	10	05 74 905 MA	37222

L	H	E	A	Z
32	240	104	108	120

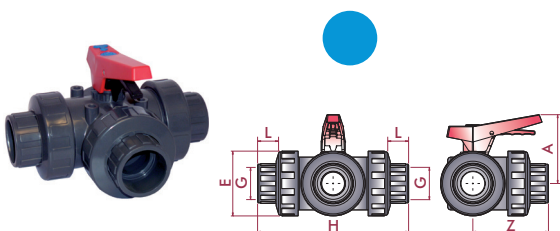
UP. 74. FT1. MA - PVC-U 3-WAY BALL VALVES

3-way ball valve

- PVC-U body
- NPT female thread
- Seating joints in HDPE
- O-Rings in EPDM

Válvula de bola 3 vías

- Cuerpo en PVC-U
- Rosca hembra NPT
- Juntas asiento bola en HDPE
- Anillos tóricos en EPDM



G	DN	PN	REF.	CODE
1½	40	10	05 74 805	37223

L	H	E	A	Z
32	240	104	108	120

PVC-U CHECK VALVES - SPRING SERIES

VÁLVULAS ANTI-RETORNO PVC-U - SERIE MUELLE



Sizes	Solvent cement D16 - D110 (DN10 - DN100) Threaded 3/8" - 4"	
Standards	Solvent socket - Metric, British standard, ASTM, JIS Threaded - BSP, NPT	EN ISO 1452, EN ISO 15493, BS 4346-1, ASTM D 2467, JIS K 6743 ISO 228-1, ASTM D 2464
Working pressure	@ 20°C (73°F) D16-D63 (3/8" - 2"): PN 16 (240 psi) D75 - D110 (2" 1/2 - 4"): PN 10 (150 psi)	
Minimum working pressure		
Materials	O-rings: EPDM / FPM	
Characteristics	<ul style="list-style-type: none"> • May be used either vertically and horizontally. • 100% factory tested. • Easy installation and maintenance. • Available in PVC-U and Corzan® PVC-C. • Resistance to many inorganic chemicals. • Excellent flow characteristics. 	<ul style="list-style-type: none"> • Se pueden usar indistintamente verticalmente o horizontalmente. • Probadas al 100% en fábrica. • Fácil instalación y mantenimiento. • Disponibles en PVC-U y Corzan® PVC-C. • Resistencia a múltiples sustancias químicas inorgánicas. • Excelentes características de conducción.
Certifications / regulations	Check valve design regulation - ISO 16137:2006	

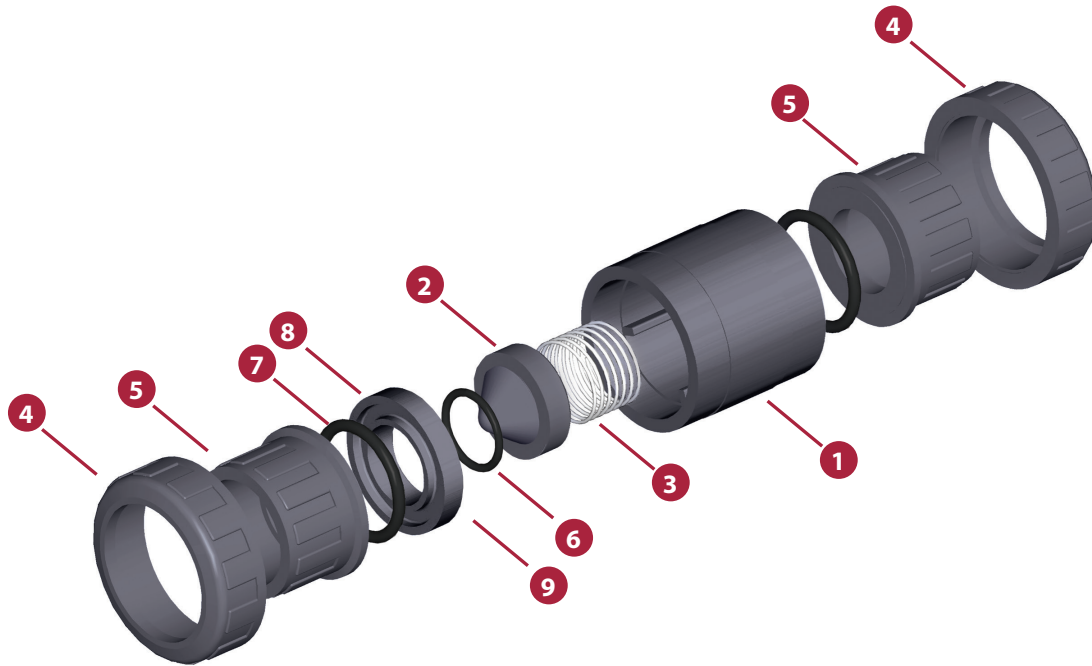
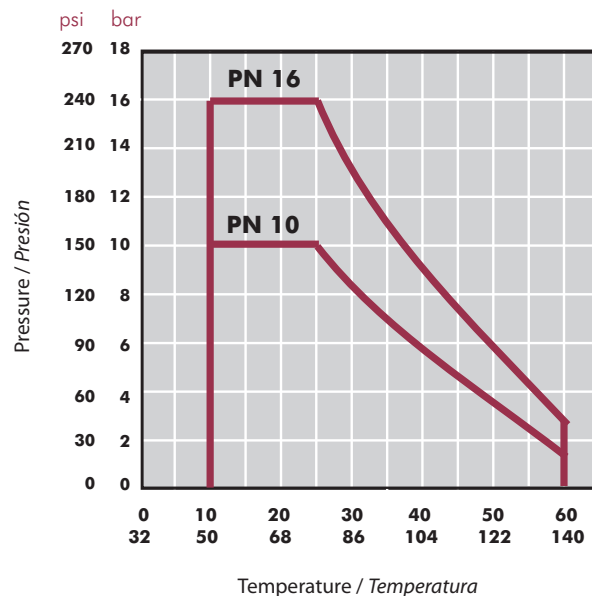


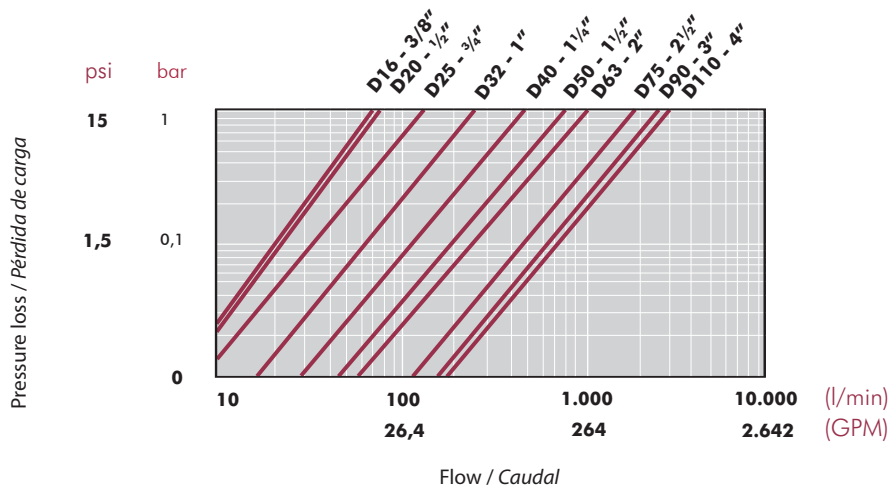
FIG.	Parts	Despiece	Material
1	Body	Cuerpo	PVC-U
2	Cone	Cono de cierre	PVC-U
3	Spring	Muelle	Stainless Steel AISI 302 / PTFE coated *
4	Union nut	Tuerca	PVC-U
5	End connector	Manguito enlace	PVC-U
6	Cone o-ring	Junta cono	EPDM / FPM
7	End connector o-ring	Junta manguito	EPDM / FPM
8	Seal-carrier	Portajuntas	PVC-U
9	Body o-ring	Junta cuerpo	EPDM / FPM

PRESSURE / TEMPERATURE GRAPH
DIAGRAMA PRESIÓN / TEMPERATURA



Life: 25 years
 Hydrostatic maximum pressure a component may withstand in continuous service (without overpressure)

Vida útil: 25 años
 Presión hidrostática máxima que un componente es capaz de soportar en servicio continuo (sin sobrepresión)

PRESSURE LOSS DIAGRAM
DIAGRAMA DE PÉRDIDAS DE CARGA

RELATIVE FLOW
FLUJO RELATIVO

D	20-1/2"	25-3/4"	32-1"	40-1 1/4"	50-1 1/2"	63-2"	75-2 1/2"	90-3"	110-4"
DN	15	20	25	32	40	50	65	80	100
Kv ₁₀₀	68	133	208	383	667	850	1533	1160	1200
Cv	5	9	15	27	47	60	107	81,2	84

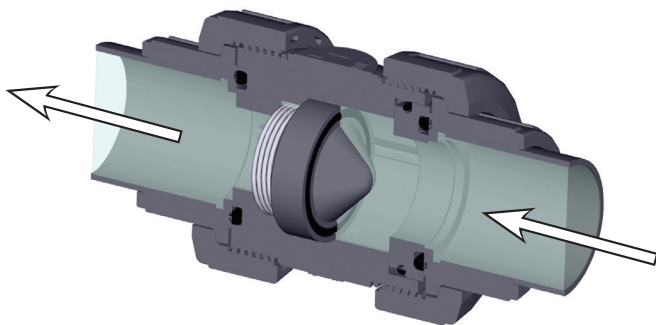
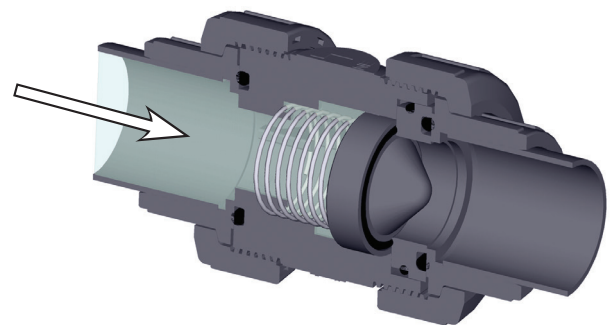
$$Cv = Kv_{100} / 14,28$$

$$Kv_{100} \text{ (l/min, } \Delta p = 1 \text{ bar)}$$

$$Cv \text{ (GPM, } \Delta p = 1 \text{ psi)}$$

Relative flow in fully open valve (maximum opening)

Flujo relativo en válvula completamente abierta (apertura máxima)

Open
Abierto

Closed
Cerrado

OPENING PRESSURE
PRESIÓN DE APERTURA

 Minimum pressure: opening start
 Maximum pressure: fully open valve

 Presión mínima: inicio apertura
 Presión máxima: válvula completamente abierta

D	P (bar) Minimum opening	P (bar) Maximum opening	P (psi) Minimum opening	P (psi) Maximum opening
20	0,11	0,19	1,57	2,71
25	0,035	0,067	0,5	0,95
32	0,042	0,077	0,6	1,1
40	0,038	0,069	0,54	0,98
50	0,063	0,088	0,9	1,25
63	0,038	0,060	0,54	0,85
75	0,031	0,060	0,44	0,85
90	0,025	0,060	0,35	0,85

ASSEMBLY INSTRUCTIONS

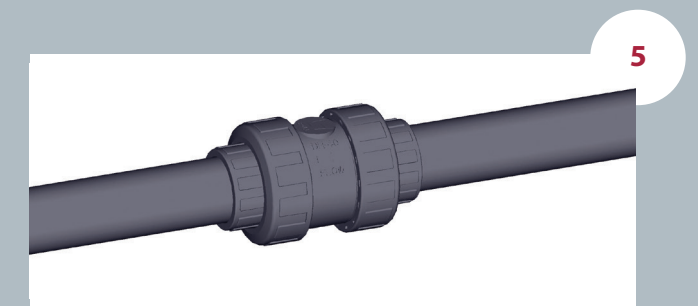
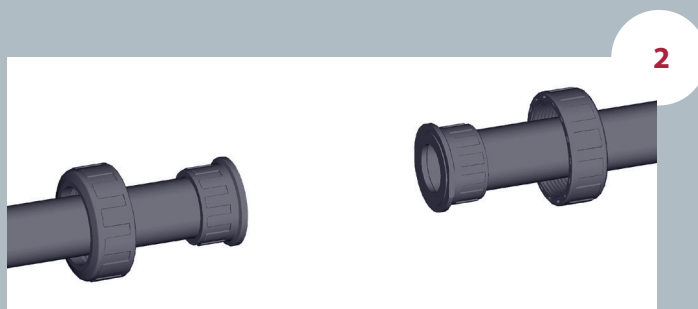
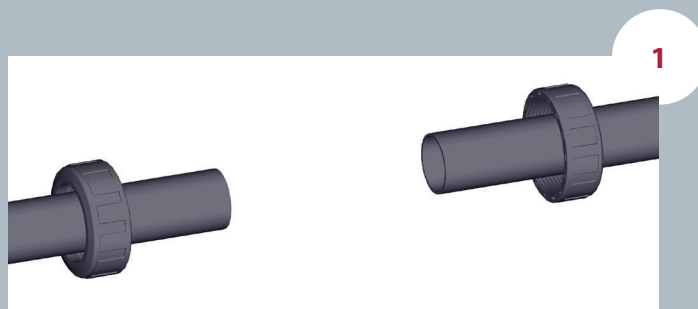
Solvent socket or threaded unions

Loosen the valve union nuts (4) and separate these and the end connectors (5) from the valve body. Pass the pipe through the nuts and then place the bushes over the end of the pipe. The socket unions should be glued onto the pipe using a PVC-U or PVC-C adhesive and pressure should not be applied to the system until a drying period of at least 1 hour per bar of working pressure has elapsed. In the case of threaded unions, PTFE tape should be applied to the male threads. The pipes can now be attached to the valve by hand tightening down the nuts.

INSTRUCCIONES DE MONTAJE

Uniones encoladas o roscadas

Afloje las tuercas (4) de la válvula y sepárelas de los manguitos (5). Introduzca las tuercas en los tubos y a continuación fije los manguitos en los extremos del tubo. Las uniones encoladas se realizarán con un adhesivo para tubos de PVC-U o PVC-C rígido y no se aplicará presión hasta transcurridas al menos 1 hora por bar. En las uniones roscadas se colocará cinta de PTFE en las roscas macho. A continuación ya podrá colocarse la válvula entre los manguitos y apretar a mano las tuercas sobre la válvula.



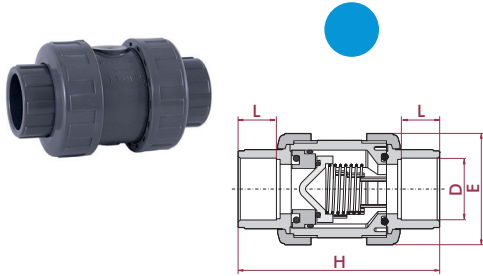
UP-S. **67**. SF1. MA - PVC-U SPRING CHECK VALVE

Spring check valve

- PVC-U body
- Female solvent socket
- ASTM series
- O-Rings in EPDM

Válvula anti-retorno

- Cuerpo en PVC-U
- Encolar hembra
- Serie ASTM
- Anillos tóricos en EPDM



D	DN	PN	REF.	CODE
3/8"	15	16	05 67 900 MA	07419
1/2"	15	16	05 67 901 MA	06998
3/4"	20	16	05 67 902 MA	06999
1"	25	16	05 67 903 MA	07000
1 1/4"	32	16	05 67 904 MA	07001
1 1/2"	40	16	05 67 905 MA	07002
2"	50	16	05 67 906 MA	07003
2 1/2"	65	10	05 67 907 MA	07004
3"	80	10	05 67 908 MA	07005
4"	80	10	05 67 910 MA	07420

L	H	E
14	84	52
16	84	52
19	108	62
22	119	70
26	142	84
31	162	94
38	192	117
44	232	148
51	269	179
61	279	179

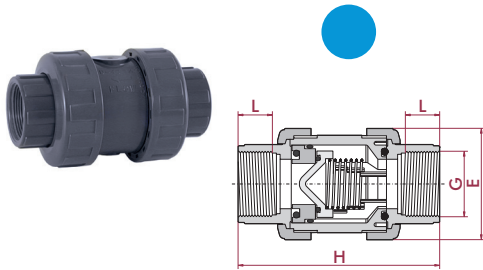
 UP-S. **67**. FT1. MA - PVC-U SPRING CHECK VALVE

Spring check valve

- PVC-U body
- NPT female thread
- O-Rings in EPDM

Válvula anti-retorno

- Cuerpo en PVC-U
- Roscar hembra NPT
- Anillos tóricos en EPDM



G	DN	PN	REF.	CODE
3/8"	15	16	05 67 800	07421
1/2"	15	16	05 67 801	07006
3/4"	20	16	05 67 802	07007
1"	25	16	05 67 803	07008
1 1/4"	32	16	05 67 804	07009
1 1/2"	40	16	05 67 805	07010
2"	50	16	05 67 806	07011
2 1/2"	65	10	05 67 807	07012
3"	80	10	05 67 808	07013
4"	80	10	05 67 810	07422

L	H	E
14	84	52
16	84	52
19	108	62
22	119	70
26	142	84
31	162	94
38	192	117
44	232	148
51	269	179
61	279	179

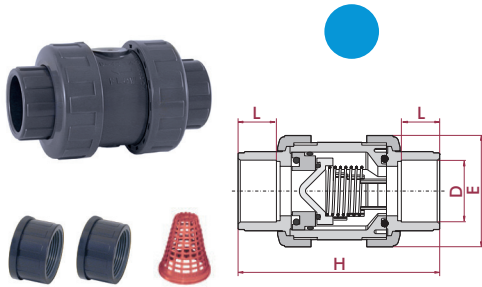
UP-S. 67. SF1. MA - PVC-U SPRING CHECK VALVE COMBO

Spring check valve

- PVC-U body
- Female solvent socket
- ASTM series
- O-Rings in EPDM

Válvula anti-retorno

- Cuerpo en PVC-U
- Encolar hembra
- Serie ASTM
- Anillos tóricos en EPDM



D	DN	PN	REF.	CODE
½"	15	16	05 67 801 D	22015
¾"	20	16	05 67 802 D	22016
1"	25	16	05 67 803 D	22017
1¼"	32	16	05 67 804 D	22018
1½"	40	16	05 67 805 D	22019
2"	50	16	05 67 806 D	22020
2½"	65	10	05 67 907 MAR	22072
3"	80	10	05 67 908 MAR	22076
4"	80	10	05 67 910 MAR	24302

L	H	E
16	84	52
19	108	62
22	119	70
26	142	84
31	162	94
38	192	117
44	232	148
51	269	179
61	279	179

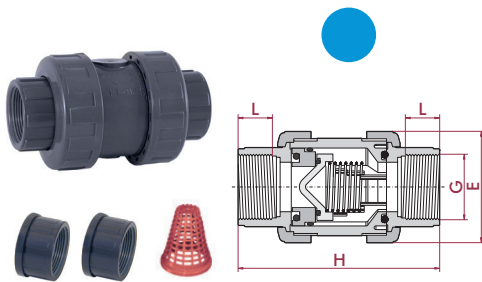
UP-S. 67. FT1. MA - PVC-U SPRING CHECK VALVE COMBO

Spring check valve

- PVC-U body
- NPT female thread
- O-Rings in EPDM

Válvula anti-retorno

- Cuerpo en PVC-U
- Roscar hembra NPT
- Anillos tóricos en EPDM



G	DN	PN	REF.	CODE
½"	15	16	05 67 801 D	22015
¾"	20	16	05 67 802 D	22016
1"	25	16	05 67 803 D	22017
1¼"	32	16	05 67 804 D	22018
1½"	40	16	05 67 805 D	22019
2"	50	16	05 67 806 D	22020
2½"	65	10	05 67 807 R	22071
3"	80	10	05 67 808 R	22075
4"	80	10	05 67 810 R	24301

L	H	E
16	84	52
19	108	62
22	119	70
26	142	84
31	162	94
38	192	117
44	232	148
51	269	179
61	279	179

COMBO VERSION

- 1½" - 2": valve with solvent socket unions + spare threaded unions in the same box
- 2½" - 4": only solvent socket or threaded unions assembled including the grid for transforming the check valve in foot valve

VERSIÓN COMBO

- 1½" - 2": manguitos enlace encolar montados + manguitos enlace roscar añadidos en caja
- 2½" - 4": sólo manguitos enlace encolar o roscar e incluyen rejilla para transformación en válvula de pie

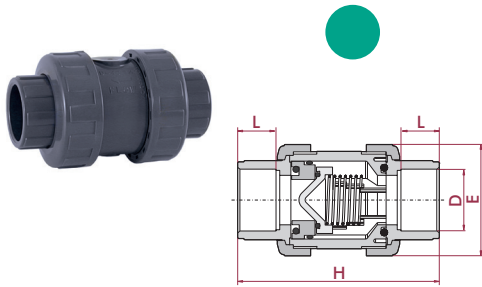
UP-S. **67**. SF4. MA - PVC-U SPRING CHECK VALVE

Spring check valve

- PVC-U body
- Female solvent socket
- ASTM series
- O-Rings in FPM

Válvula anti-retorno

- Cuerpo en PVC-U
- Encolar hembra
- Serie ASTM
- Anillos tóricos en FPM



D	DN	PN	REF.	CODE
½"	15	16	05 67 901 AV	10965
¾"	20	16	05 67 902 AV	10966
1"	25	16	05 67 903 AV	10967
1¼"	32	16	05 67 904 AV	10968
1½"	40	16	05 67 905 AV	10969
2"	50	16	05 67 906 AV	10970
2½"	65	10	05 67 907 AV	10971
3"	80	10	05 67 908 AV	10972
4"	80	10	05 67 910 AV	10973

L	H	E
16	84	52
19	108	62
22	119	70
26	142	84
31	162	94
38	192	117
44	232	148
51	269	179
61	279	179

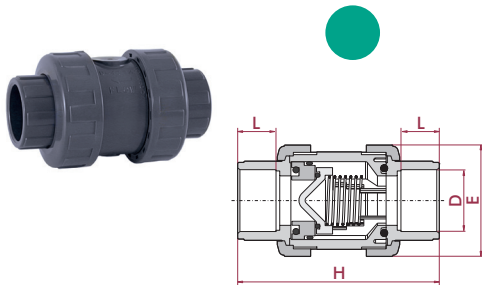
 UP-S. **67**. FT4. MA - PVC-U SPRING CHECK VALVE

Spring check valve

- PVC-U body
- NPT female thread
- O-Rings in FPM

Válvula anti-retorno

- Cuerpo en PVC-U
- Roscar hembra NPT
- Anillos tóricos en FPM



D	DN	PN	REF.	CODE
½"	15	16	05 67 801 VI	10975
¾"	20	16	05 67 802 VI	10976
1"	25	16	05 67 803 VI	10977
1¼"	32	16	05 67 804 VI	10978
1½"	40	16	05 67 805 VI	10979
2"	50	16	05 67 806 VI	10980
2½"	65	10	05 67 807 VI	10981
3"	80	10	05 67 808 VI	10985
4"	80	10	05 67 810 VI	10986

L	H	E
16	84	52
19	108	62
22	119	70
26	142	84
31	162	94
38	192	117
44	232	148
51	269	179
61	279	179

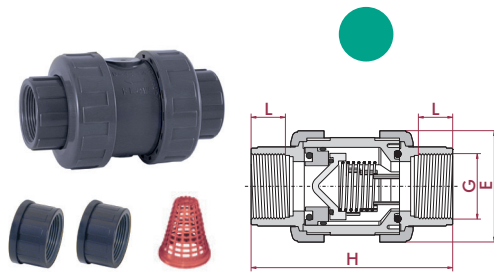
UP-S. 67. SF4. MA - PVC-U SPRING CHECK VALVE COMBO

Spring check valve

- PVC-U body
- Female solvent socket
- ASTM series
- O-Rings in FPM

Válvula anti-retorno

- Cuerpo en PVC-U
- Encolar hembra
- Serie ASTM
- Anillos tóricos en FPM



G	DN	PN	REF.	CODE
½"	15	16	05 67 801 VID *	22015VIT
¾"	20	16	05 67 802 VID *	22016VIT
1"	25	16	05 67 803 VID *	22017VIT
1¼"	32	16	05 67 804 VID *	22018VIT
1½"	40	16	05 67 805 VID *	22019VIT
2"	50	16	05 67 806 VID *	22020VIT
2½"	65	10	05 67 807 VIR *	22071VIT
3"	80	10	05 67 808 VIR *	22075VIT
4"	80	10	05 67 810 VIR *	24301VIT

L	H	E
16	84	52
19	108	62
22	119	70
26	142	84
31	162	94
38	192	117
44	232	148
51	269	179
61	279	179

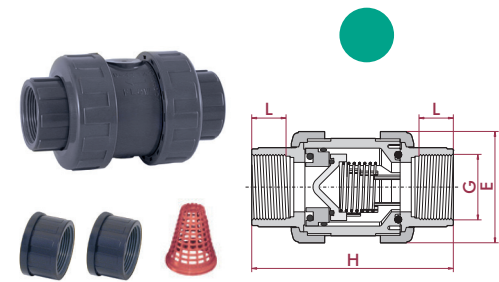
UP-S. 67. FT4. MA - PVC-U SPRING CHECK VALVE COMBO

Spring check valve

- PVC-U body
- NPT female thread
- O-Rings in FPM

Válvula anti-retorno

- Cuerpo en PVC-U
- Roscar hembra NPT
- Anillos tóricos en FPM



G	DN	PN	REF.	CODE
½"	15	16	05 67 801 VID *	22015VIT
¾"	20	16	05 67 802 VID *	22016VIT
1"	25	16	05 67 803 VID *	22017VIT
1¼"	32	16	05 67 804 VID *	22018VIT
1½"	40	16	05 67 805 VID *	22019VIT
2"	50	16	05 67 806 VID *	22020VIT
2½"	65	10	05 67 807 VIR *	22071VIT
3"	80	10	05 67 808 VIR *	22075VIT
4"	80	10	05 67 810 VIR *	24301VIT

L	H	E
16	84	52
19	108	62
22	119	70
26	142	84
31	162	94
38	192	117
44	232	148
51	269	179
61	279	179

COMBO VERSION

- 1½" - 2": valve with solvent socket unions + spare threaded unions in the same box
- 2½" - 4": only solvent socket or threaded unions assembled including the grid for transforming the check valve in foot valve

VERSIÓN COMBO

- 1½" - 2": manguitos enlace encolar montados + manguitos enlace rosca añadidos en caja
- 2½" - 4": sólo manguitos enlace encolar o rosca e incluyen rejilla para transformación en válvula de pie

PVC-U FOOT VALVES - SPRING SERIES

VÁLVULAS DE PIE PVC-U - SERIE MUELLE



Sizes	Solvent cement D16 - D110 (DN10 - DN100) Threaded 3/8" - 4"	
Standards	Solvent socket - Metric, British standard, ASTM, JIS Threaded - BSP, NPT	EN ISO 1452, EN ISO 15493, BS 4346-1, ASTM D 2467, JIS K 6743 ISO 228-1, ASTM D 2464
Working pressure	@ 20°C (73°F) D16-D63 (3/8" - 2"): PN 16 (240 psi) D75 - D110 (2 1/2" - 4"): PN 10 (150 psi)	
Minimum working pressure		
Materials	O-rings: EPDM / FPM	
Characteristics	<ul style="list-style-type: none"> • May be used either vertically and horizontally. • 100% factory tested. • Easy installation and maintenance. • Available in PVC-U. • Resistance to many inorganic chemicals. • Excellent flow characteristics. 	<ul style="list-style-type: none"> • Se pueden usar indistintamente verticalmente o horizontalmente. • Probadas al 100% en fábrica. • Fácil instalación y mantenimiento. • Disponibles en PVC-U. • Resistencia a múltiples sustancias químicas inorgánicas. • Excelentes características de conducción.
Certifications / regulations	Check valve design regulation - ISO 16137:2006	

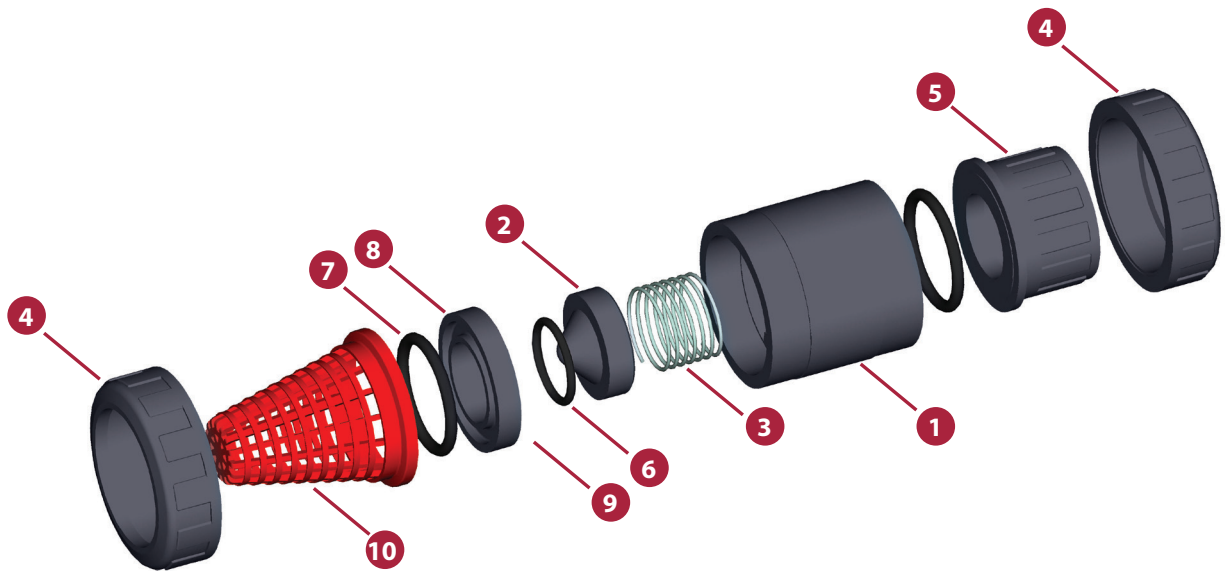
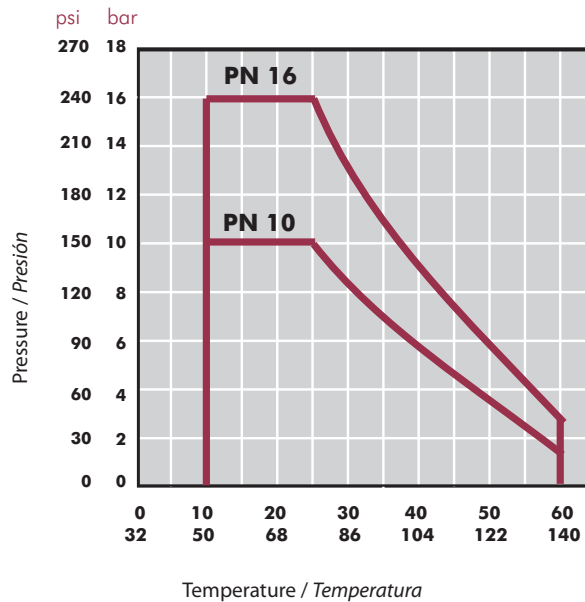


FIG.	Parts	Despiece	Material
1	Body	Cuerpo	PVC-U / PVC-C
2	Cone	Cono de cierre	PVC-U / PVC-C
3	Spring	Muelle	Staniless Steel AISI 302
4	Union nut	Tuerca	PVC-U / PVC-C
5	End connector	Manguito enlace	PVC-U / PVC-C
6	Cone o-ring	Junta cono	EPDM / FPM
7	End connector o-ring	Junta manguito	EPDM / FPM
8	Seal-carrier	Portajuntas	PVC-U / PVC-C
9	Body o-ring	Junta cuerpo	EPDM / FPM
10	Foot valve screen	Rejilla	PP

PRESSURE / TEMPERATURE GRAPH
DIAGRAMA PRESIÓN / TEMPERATURA



Life: 25 years
 Hydrostatic maximum pressure a component may withstand in continuous service (without overpressure)

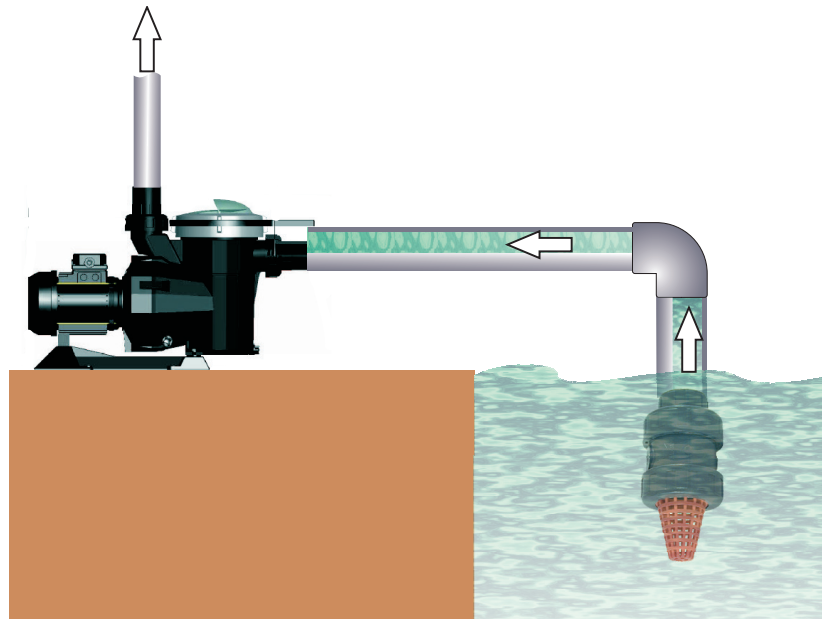
Vida útil: 25 años
 Presión hidrostática máxima que un componente es capaz de soportar en servicio continuo (sin sobrepresión)

PRESSURE LOSS DIAGRAM
DIAGRAMA DE PÉRDIDAS DE CARGA

D16 - 3/8"		D20 - 1/2"		D25 - 3/4"		D32 - 1"		D40 - 1 1/4"		D50 - 1 1/2"		D63 - 2"		D75 - 2 1/2"		D90 - 3"		D110 - 4"	
A	B	A	B	A	B	A	B	A	B	A	B	A	B	A	B	A	B	A	B
0,42	0,34	0,44	0,34	0,54	0,17	0,35	0,13	3,15	0,13	25,85	0,38	39,80	0,70	50,00	0,40	83,50	0,45	77,2	0,46
0,85	0,52	0,92	0,58	1,06	0,22	1,13	0,18	5,20	0,12	20,70	0,27	34,50	0,48	44,20	0,29	74,80	0,39	67,5	0,36
1,35	0,58	1,60	0,19	1,65	0,15	1,62	0,15	7,35	0,16	17,50	0,19	27,50	0,28	36,50	0,23	64,90	0,31	60,1	0,30
2,08	0,28	2,05	0,18	2,18	0,18	2,02	0,14	9,38	0,21	12,30	0,11	21,15	0,17	30,90	0,20	50,38	0,21	49,6	0,22
2,44	0,34	2,48	0,22	3,21	0,29	2,59	0,14	12,17	0,31	8,86	0,09	12,65	0,09	25,50	0,15	43,08	0,18	41,1	0,18
2,80	0,60	3,10	0,30	3,91	0,38	3,07	0,15	15,05	0,43	3,22	0,09	6,25	0,08	20,35	0,12	35,22	0,14	31,5	0,14
-	-	3,53	0,35	4,32	0,44	3,51	0,16	-	-	-	-	-	-	12,30	0,11	28,75	0,11	24,6	0,13
-	-	-	-	-	-	4,20	0,20	-	-	-	-	-	-	6,27	0,11	18,02	0,08	15,8	0,01
-	-	-	-	-	-	-	-	-	-	-	-	-	-	-	-	8,28	0,11	7,9	0,08
-	-	-	-	-	-	-	-	-	-	-	-	-	-	-	-	-	-	-	-

A = Flow (m³/h)
Caudal (m³/h)

B = Pressure loss (bar)
Pérdida de carga (bar)


OPENING PRESSURE
PRESIÓN DE APERTURA

Minimum pressure: opening start
Maximum pressure: open valve

Minimum pressure: opening start
Maximum pressure: open valve

D	P (bar) Minimum opening	P (bar) Maximum opening	P (PSI) Minimum opening	P (PSI) Maximum opening
20	0,11	0,19	1,57	2,71
25	0,035	0,067	0,5	0,95
32	0,042	0,077	0,6	1,1
40	0,038	0,069	0,54	0,98
50	0,063	0,088	0,9	1,25
63	0,038	0,060	0,54	0,85
75	0,031	0,060	0,44	0,85
90	0,025	0,060	0,35	0,85

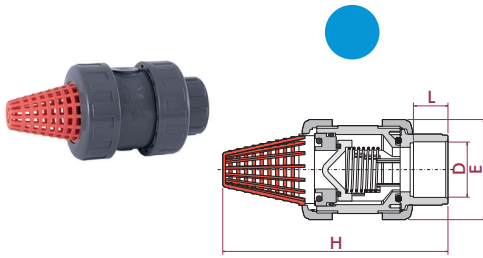
UP-S. 66. SF1. MA - PVC-U FOOT SPRING CHECK VALVE

Foot valve

- PVC-U body
- Female solvent socket
- ASTM series
- O-Rings in EPDM

Válvula de pie

- Cuerpo en PVC-U
- Encolar hembra
- Serie ASTM
- Anillos tóricos en EPDM



D	DN	PN	REF.	CODE
3/8"	15	16	05 66 900 MA	07423
1/2"	15	16	05 66 901 MA	06982
3/4"	20	16	05 66 902 MA	06983
1"	25	16	05 66 903 MA	06984
1 1/4"	32	16	05 66 904 MA	06985
1 1/2"	40	16	05 66 905 MA	06986
2"	50	16	05 66 906 MA	06987
2 1/2"	65	10	05 66 907 MA	06988
3"	80	10	05 66 908 MA	06989
4"	80	10	05 66 910 MA	07425

L	H	E
14	107	52
16	107	52
19	130	62
22	154	70
26	176	84
31	202	94
38	239	117
44	306	148
51	362	179
61	367	179

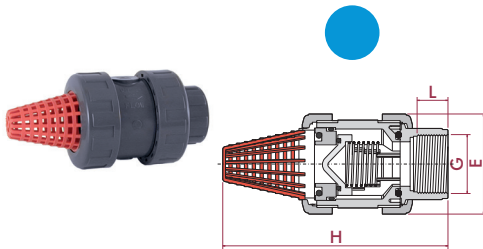
UP-S. 66. FT1. MA - PVC-U FOOT SPRING CHECK VALVE

Foot valve

- PVC-U body
- NPT female thread
- O-Rings in EPDM

Válvula de pie

- Cuerpo en PVC-U
- Roscar hembra NPT
- Anillos tóricos en EPDM



G	DN	PN	REF.	CODE.
3/8"	15	16	05 66 800	07424
1/2"	15	16	05 66 801	06990
3/4"	20	16	05 66 802	06991
1"	25	16	05 66 803	06992
1 1/4"	32	16	05 66 804	06993
1 1/2"	40	16	05 66 805	06994
2"	50	16	05 66 806	06995
2 1/2"	65	10	05 66 807	06996
3"	80	10	05 66 808	06997
4"	80	10	05 66 810	07426

L	H	E
14	107	52
16	107	52
19	130	62
22	154	70
26	176	84
31	202	94
38	239	117
44	306	148
51	362	179
61	367	179

Available with FPM o-rings
 Disponible con juntas en FPM

PVC-U CHECK VALVES - BALL SERIES

VÁLVULAS ANTI-RETORNO PVC-U - SERIE BOLA



Sizes	Solvent cement D20 - D110 (DN15 - DN100) Threaded ½" - 4"	
Standards	Solvent socket - Metric, British standard, ASTM, JIS Threaded - BSP, NPT	EN ISO 1452, EN ISO 15493, BS 4346-1, ASTM D 2467, JIS K 6743 ISO 228-1, ASTM D 2464
Working pressure	@ 20°C (73°F) D20-D63 (½" - 2"): PN 16 (240 psi) D75 - D110 (2½" - 4"): PN 10 (150 psi)	
Minimum return pressure	0,2 bar (3 psi) Minimal downstream pressure to keep the valve closed in horizontal position. Presión mínima aguas abajo para mantener la válvula cerrada en caso de instalación horizontal.	
Materials	O-rings: EPDM / FPM	
Characteristics	<ul style="list-style-type: none"> • Completely made in plastic - corrosion free. • 100% factory tested. • Excellent flow rate. • Easy installation and maintenance. • May be used either vertically and horizontally. • Available in PVC-U and Corzan® PVC-C. • Resistance to many inorganic chemicals. • Excellent flow characteristics. 	<ul style="list-style-type: none"> • Fabricada completamente en plástico - libre de corrosión. • Probadas al 100% en fábrica. • Excelente coeficiente de caudal. • Fácil instalación y mantenimiento. • Se pueden usar indistintamente verticalmente o horizontalmente. • Disponibles en PVC-U y Corzan® PVC-C. • Resistencia a múltiples sustancias químicas inorgánicas. • Excelentes características de conducción.
Certifications / regulations	Check valve design regulation - ISO 16137:2006	

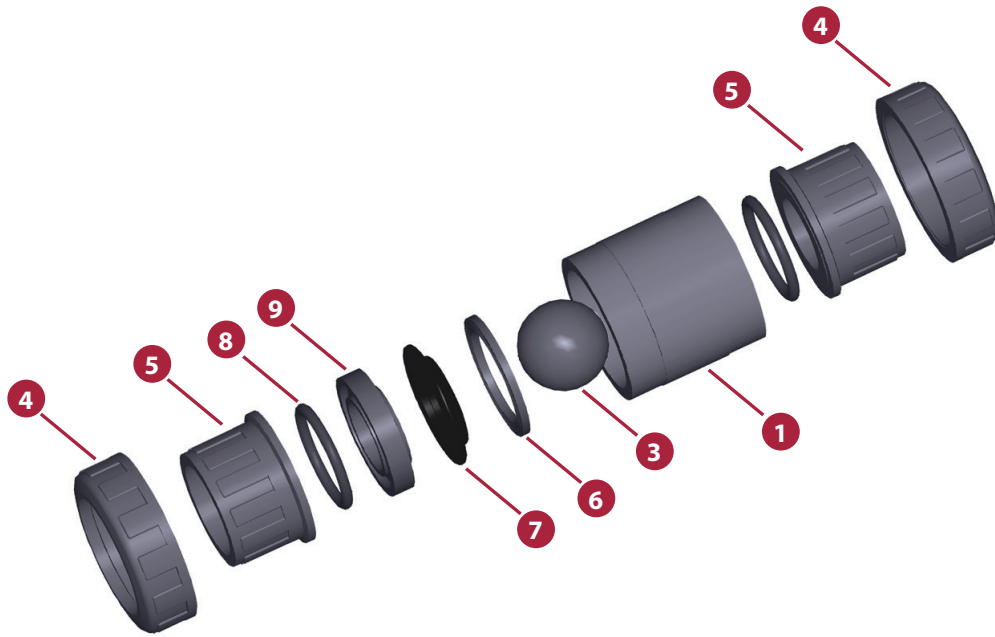
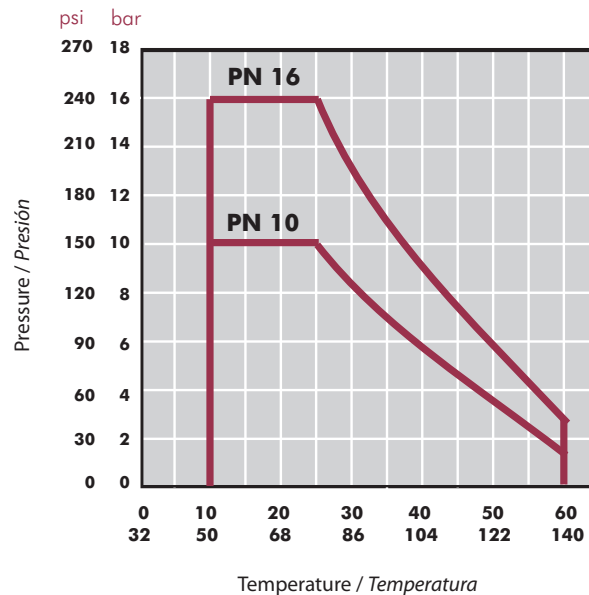


FIG.	Parts	Despiece	Material
1	Body	Cuerpo	PVC-U
3	Ball	Bola	PVC-U
4	Union nut	Tuerca	PVC-U
5	End connector	Manguito enlace	PVC-U
6	Closing ring	Anillo de cierre	PVC-U
7	Body o-ring	Junta cuerpo	EPDM / FPM
8	End connector o-ring	Junta manguito	EPDM / FPM
9	Seal-carrier	Portajuntas	PVC-U

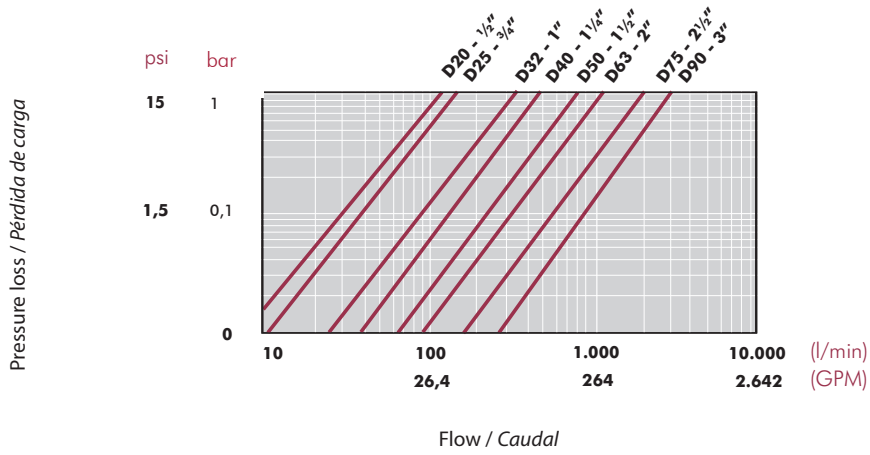
PRESSURE / TEMPERATURE GRAPH
DIAGRAMA PRESIÓN / TEMPERATURA



Life: 25 years
 Hydrostatic maximum pressure a component may withstand in continuous service (without overpressure)

Vida útil: 25 años
 Presión hidrostática máxima que un componente es capaz de soportar en servicio continuo (sin sobrepresión)

PRESSURE LOSS DIAGRAM
DIAGRAMA DE PÉRDIDAS DE CARGA



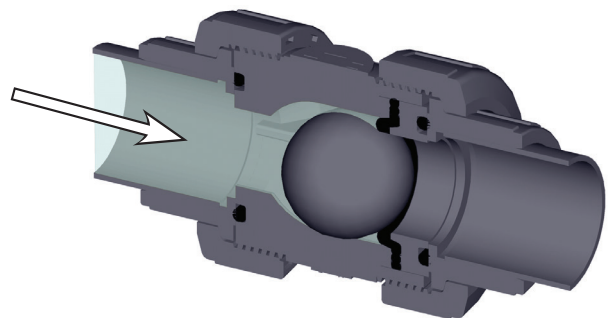
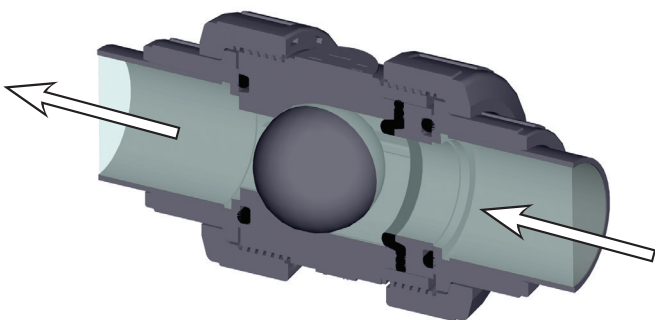
RELATIVE FLOW
FLUJO RELATIVO

D	20-1/2"	25-3/4"	32-1"	40-1 1/4"	50-1 1/2"	63-2"	75-2 1/2"	90-3"
DN	15	20	25	32	40	50	65	80
Kv₁₀₀	99	128	308	453	795	1040	1932	2754
Cv	7	9	22	32	56	73	135	193

$Cv = Kv_{100} / 14,28$
 Kv_{100} (l/min, $\Delta p = 1$ bar)
 Cv (GPM, $\Delta p = 1$ psi)

Open
Abierto

Closed
Cerrado



ASSEMBLY INSTRUCTIONS

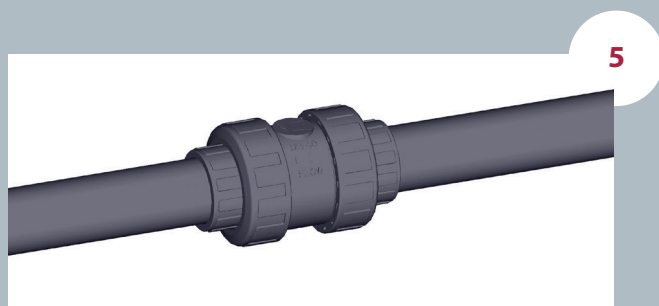
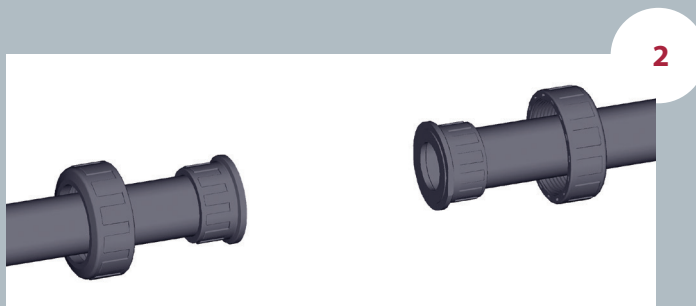
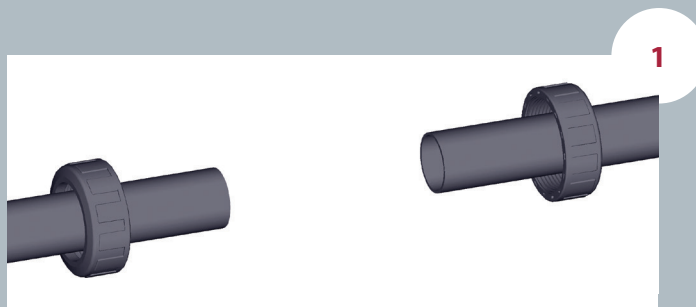
Solvent socket or threaded unions

Loosen the valve union nuts (4) and separate these and the end connectors (5) from the valve body. Pass the pipe through the nuts and then place the bushes over the end of the pipe. The socket unions should be glued onto the pipe using a PVC-U or PVC-C adhesive and pressure should not be applied to the system until a drying period of at least 1 hour per bar of working pressure has elapsed. In the case of threaded unions, PTFE tape should be applied to the male threads. The pipes can now be attached to the valve by hand tightening down the nuts.

INSTRUCCIONES DE MONTAJE

Uniones encoladas o roscadas

Afloje las tuercas (4) de la válvula y sepárelas de los manguitos (5). Introduzca las tuercas en los tubos y a continuación fije los manguitos en los extremos del tubo. Las uniones encoladas se realizarán con un adhesivo para tubos de PVC-U o PVC-C rígido y no se aplicará presión hasta transcurridas al menos 1 hora por bar. En las uniones roscadas se colocará cinta de PTFE en las roscas macho. A continuación ya podrá colocarse la válvula entre los manguitos y apretar a mano las tuercas sobre la válvula.



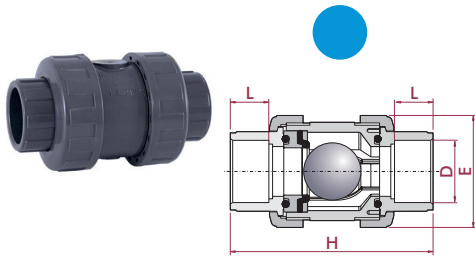
UP-B. 67. SF1. MA - PVC-U BALL CHECK VALVE

Ball check valve

- PVC-U body
- Female solvent socket
- ASTM series
- O-rings in EPDM

Válvula anti-retorno de bola

- Cuerpo en PVC-U
- Encolar hembra
- Serie ASTM
- Anillos tóricos en EPDM



D	DN	PN	REF.	CODE
½"	15	16	05 67 901 EMA	41380
¾"	20	16	05 67 902 EMA	41381
1"	25	16	05 67 903 EMA	41382
1¼"	32	16	05 67 904 EMA	41383
1½"	40	16	05 67 905 EMA	41384
2"	50	16	05 67 906 EMA	41385
2½"	65	10	05 67 907 EMA	41386
3"	80	10	05 67 908 EMA	41387
4"	80	10	05 67 910 EMA	41388

L	H	E
16	84	52
19	108	62
22	119	70
26	142	84
31	162	94
38	192	117
44	232	148
51	269	179
51	269	179

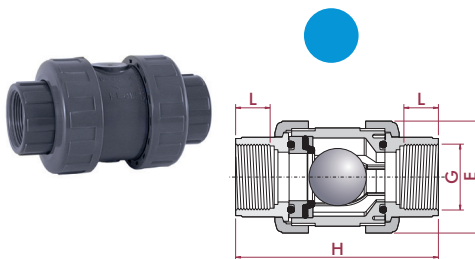
UP-B. 67. FT1. MA - PVC-U BALL CHECK VALVE

Ball check valve

- PVC-U body
- NPT female thread
- O-Rings in EPDM

Válvula anti-retorno de bola

- Cuerpo en PVC-U
- Roscar hembra NPT
- Anillos tóricos en EPDM



G	DN	PN	REF.	CODE
½"	15	16	05 67 801 E	41389
¾"	20	16	05 67 802 E	41390
1"	25	16	05 67 803 E	41391
1¼"	32	16	05 67 804 E	41392
1½"	40	16	05 67 805 E	41393
2"	50	16	05 67 806 E	41394
2½"	65	10	05 67 807 E	41395
3"	80	10	05 67 808 E	41396
4"	80	10	05 67 810 E	41397

L	H	E
16	84	52
19	108	62
22	119	70
26	142	84
31	167	94
38	192	117
44	232	148
51	269	179
61	279	179

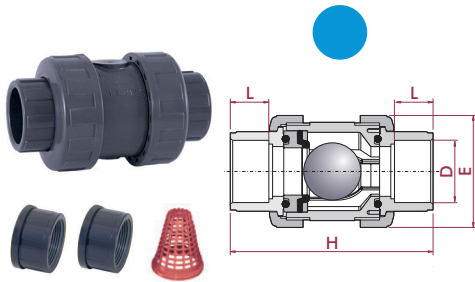
UP-B. **67**. SF1. MA - PVC-U BALL CHECK VALVE COMBO

Ball check valve

- PVC-U body
- Female solvent socket
- ASTM series
- O-rings in EPDM

Válvula anti-retorno de bola

- Cuerpo en PVC-U
- Encolar hembra
- Serie ASTM
- Anillos tóricos en EPDM



D	DN	PN	REF.	CODE
½"	15	16	05 67 801 ED *	27360
¾"	20	16	05 67 802 ED *	27361
1"	25	16	05 67 803 ED *	27362
1¼"	32	16	05 67 804 ED *	27363
1½"	40	16	05 67 805 ED *	27000
2"	50	16	05 67 806 ED *	27001
2½"	65	10	05 67 907 EMAR *	27374
3"	80	10	05 67 908 EMAR *	27375
4"	80	10	05 67 910 EMAR *	27376

L	H	E
16	84	52
19	108	62
22	119	70
26	142	84
31	162	94
38	192	117
44	232	148
51	269	179
51	269	179

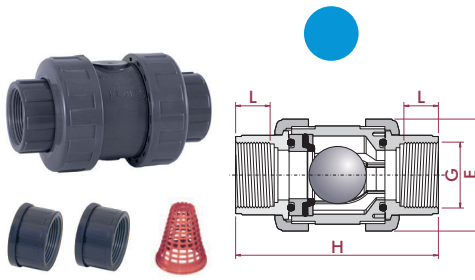
UP-B. **67**. FT1. MA - PVC-U BALL CHECK VALVE COMBO

Ball check valve

- PVC-U body
- NPT female thread
- O-Rings in EPDM

Válvula anti-retorno de bola

- Cuerpo en PVC-U
- Roscar hembra NPT
- Anillos tóricos en EPDM



G	DN	PN	REF.	CODE
½"	15	16	05 67 801 ED *	27360
¾"	20	16	05 67 802 ED *	27361
1"	25	16	05 67 803 ED *	27362
1¼"	32	16	05 67 804 ED *	27363
1½"	40	16	05 67 805 ED *	27000
2"	50	16	05 67 806 ED *	27001
2½"	65	10	05 67 807 ER *	27368
3"	80	10	05 67 808 ER *	27369
4"	80	10	05 67 810 ER *	27370

L	H	E
16	84	52
19	108	62
22	119	70
26	142	84
31	167	94
38	192	117
44	232	148
51	269	179
61	279	179

COMBO VERSION

- 1½" - 2": valve with solvent socket unions + spare threaded unions in the same box
- 2½" - 4": only solvent sokcet or threaded unions assembled including the grid for transforming the check valve in foot valve

VERSIÓN COMBO

- 1½" - 2": manguitos enlace encolar montados + manguitos enlace roscar añadidos en caja
- 2½" - 4": sólo manguitos enlace encolar o roscar e incluyen rejilla para transformación en válvula de pie

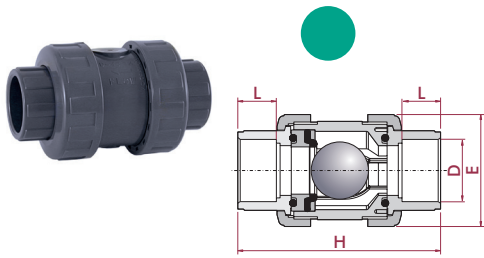
UP-B. 67. SF4. MA - PVC-U BALL CHECK VALVE

Ball check valve

- PVC-U body
- Female solvent socket
- ASTM series
- O-Rings in FPM

Válvula anti-retorno de bola

- Cuerpo en PVC-U
- Encolar hembra
- Serie ASTM
- Anillos tóricos en FPM



D	DN	PN	REF.	CODE
½"	15	16	05 67 901 VEMA	41962
¾"	20	16	05 67 902 VEMA	41963
1"	25	16	05 67 903 VEMA	41964
1¼"	32	16	05 67 904 VEMA	41965
1½"	40	16	05 67 905 VEMA	41966
2"	50	16	05 67 906 VEMA	41967
2½"	65	10	05 67 907 VEMA	41968
3"	80	10	05 67 908 VEMA	41969
4"	80	10	05 67 910 VEMA	41970

L	H	E
16	84	52
19	108	62
22	119	70
26	142	84
31	162	94
38	192	117
44	232	148
51	269	179
51	269	179

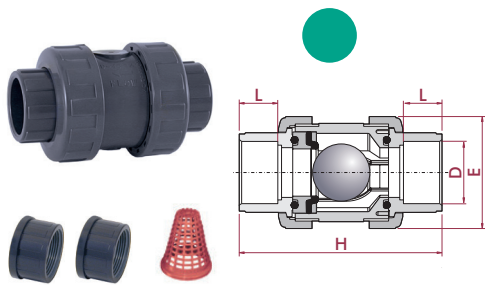
UP-B. 67. SF4. MA - PVC-U BALL CHECK VALVE COMBO

Ball check valve

- PVC-U body
- Female solvent socket
- ASTM series
- O-Rings in FPM

Válvula anti-retorno de bola

- Cuerpo en PVC-U
- Encolar hembra
- Serie ASTM
- Anillos tóricos en FPM



D	DN	PN	REF.	CODE
½"	15	16	05 67 801 VED *	27364
¾"	20	16	05 67 802 VED *	27365
1"	25	16	05 67 803 VED *	27366
1¼"	32	16	05 67 804 VED *	27367
1½"	40	16	05 67 805 VED *	27002
2"	50	16	05 67 806 VED *	27003
2½"	65	10	05 67 907 VEMAR *	27377
3"	80	10	05 67 908 VEMAR *	27378
4"	80	10	05 67 910 VEMAR *	27379

L	H	E
16	84	52
19	108	62
22	119	70
26	142	84
31	162	94
38	192	117
44	232	148
51	269	179
51	269	179

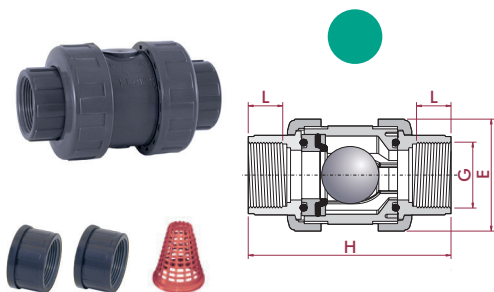
UP-B. 67. FT4. MA - PVC-U BALL CHECK VALVE COMBO

Ball check valve

- PVC-U body
- NPT female thread
- O-Rings in FPM

Válvula anti-retorno de bola

- Cuerpo en PVC-U
- Roscar hembra NPT
- Anillos tóricos en FPM



G	DN	PN	REF.	CODE
½"	15	16	05 67 801 VED *	27364
¾"	20	16	05 67 802 VED *	27365
1"	25	16	05 67 803 VED *	27366
1¼"	32	16	05 67 804 VED *	27367
1½"	40	16	05 67 805 VED *	27002
2"	50	16	05 67 806 VED *	27003
2½"	65	10	05 67 807 VER *	27371
3"	80	10	05 67 808 VER *	27372
4"	80	10	05 67 810 VER *	27373

L	H	E
16	84	52
19	108	62
22	119	70
26	142	84
31	167	94
38	192	117
44	232	148
51	269	179
61	279	179

COMBO VERSION

- 1½" - 2": valve with solvent socket unions + spare threaded unions in the same box
- 2½" - 4": only solvent sokcet or threaded unions assembled including the grid for transforming the check valve in foot valve

VERSIÓN COMBO

- 1½" - 2": manguitos enlace encolar montados + manguitos enlace roscar añadidos en caja
- 2½" - 4": sólo manguitos enlace encolar o roscar e incluyen rejilla para transformación en válvula de pie

PVC-U FOOT VALVES - BALL SERIES

VÁLVULAS DE PIE PVC-U - SERIE BOLA



Sizes	Solvent cement D20 - D110 (DN15 - DN100) Threaded ½" - 4"	
Standards	Solvent socket - Metric, British standard, ASTM, JIS Threaded - BSP, NPT	EN ISO 1452, EN ISO 15493, BS 4346-1, ASTM D 2467, JIS K 6743 ISO 228-1, ASTM D 2464
Working pressure	@ 20°C (73°F) D20-D63 (¾" - 2"): PN 16 (240 psi) D75 - D110 (2½" - 4"): PN 10 (150 psi)	
Minimum return pressure	0,2 bar (3 psi) Minimal downstream pressure to keep the valve closed in horizontal position. Presión mínima aguas abajo para mantener la válvula cerrada en caso de instalación horizontal.	
Materials	O-rings: EPDM / FPM	
Characteristics	<ul style="list-style-type: none"> • Completely made in plastic - corrosion free. • 100% factory tested. • Easy installation and maintenance. • May be used either vertically and horizontally. • Available in PVC-U. • Resistance to many inorganic chemicals. • Excellent flow characteristics. 	<ul style="list-style-type: none"> • Fabricada completamente en plástico - libre de corrosión • Probadas al 100% en fábrica. • Fácil instalación y mantenimiento. • Se pueden usar indistintamente verticalmente o horizontalmente. • Disponibles en PVC-U. • Resistencia a múltiples sustancias químicas inorgánicas. • Excelentes características de conducción.
Certifications / regulations	Check valve design regulation - ISO 16137:2006	

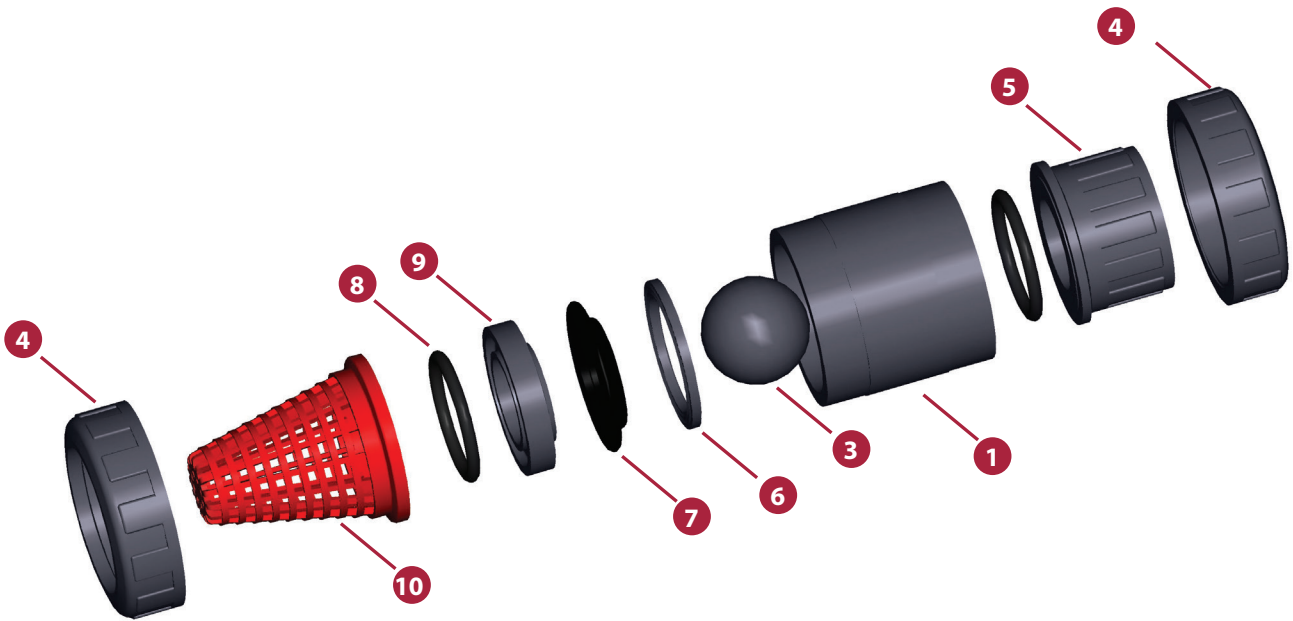
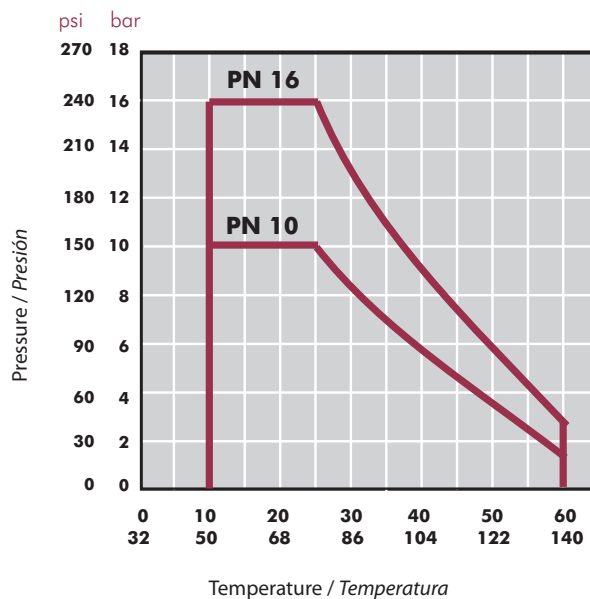


FIG.	Parts	Despiece	Material
1	Body	Cuerpo	PVC-U
3	Ball	Bola	PVC-U
4	Union nut	Tuerca	PVC-U
5	End connector	Manguito enlace	PVC-U
6	Closing ring	Anillo de cierre	PVC-U
7	Body o-ring	Junta cuerpo	EPDM / FPM
8	End connector o-ring	Junta manguito	EPDM / FPM
9	Seal-carrier	Portajuntas	PVC-U
10	Foot valve screen	Rejilla	PP

PRESSURE / TEMPERATURE GRAPH
DIAGRAMA PRESIÓN / TEMPERATURA



Life: 25 years
Hydrostatic maximum pressure a component may withstand in continuous service (without overpressure)

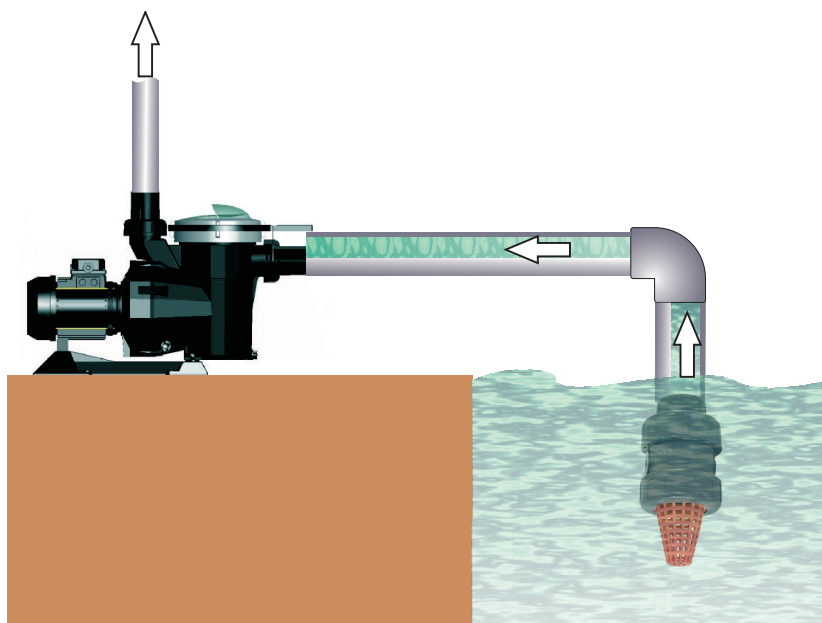
Vida útil: 25 años
Presión hidrostática máxima que un componente es capaz de soportar en servicio continuo (sin sobrepresión)

PRESSURE LOSS DIAGRAM
DIAGRAMA DE PÉRDIDAS DE CARGA

D20 - 1/2"		D25 - 3/4"		D32 - 1"		D40 - 1 1/4"		D50 - 1 1/2"		D63 - 2"		D75 - 2 1/2"		D90 - 3"	
A	B	A	B	A	B	A	B	A	B	A	B	A	B	A	B
1,65	0,13	1,47	0,05	4,36	0,08	4,87	0,15	6,41	0,002	12,53	0,05	12,32	0,05	7,13	0,009
2,33	0,24	2,01	0,054	4,89	0,11	6,21	0,17	11,3	0,02	14,9	0,07	14,95	0,06	15,91	0,04
3,34	0,44	2,34	0,09	5,44	0,15	7,52	0,21	18,76	0,16	17,12	0,11	19,53	0,11	28,58	0,13
3,85	0,52	2,95	0,18	5,89	0,21	10,61	0,27	25,05	0,34	21,7	0,16	25	0,17	37,22	0,22
4,52	0,69	3,6	0,29	7,01	0,26	12,53	0,34	28,44	0,41	27,36	0,28	32,6	0,28	45,61	0,53
-	-	4,03	0,36	9,23	0,39	15,23	0,4	-	-	32,02	0,37	41,43	0,55	58,5	0,64
-	-	4,21	0,38	-	-	-	-	-	-	37,68	0,43	-	-	-	-

A = Flow (m³/h)
 Caudal (m³/h)

B = Pressure loss (bar)
 Pérdida de carga (bar)

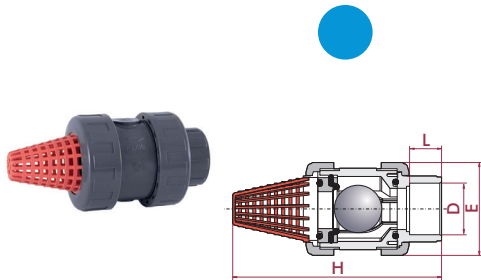


UP-B. 66. SF1. MA - BALL FOOT CHECK VALVES
Ball foot valve

- PVC-U body
- Female solvent socket
- ASTM series
- O-Rings in EPDM

Válvula de pie de bola

- Cuerpo en PVC-U
- Encolar hembra
- Serie ASTM
- Anillos tóricos en EPDM



D	DN	PN	REF.	CODE
20	15	16	05 66 901 EMA	41398
25	20	16	05 66 902 EMA	41399
32	25	16	05 66 903 EMA	41400
40	32	16	05 66 904 EMA	41401
50	40	16	05 66 905 EMA	41402
63	50	16	05 66 906 EMA	41403
75	65	10	05 66 907 EMA	41404
90	80	10	05 66 908 EMA	41405
110	80	10	05 66 910 EMA	41406

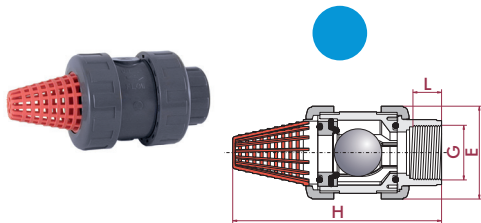
L	H	E
16	107	52
19	130	62
22	154	70
26	176	84
31	202	94
38	239	117
44	306	148
51	362	179
61	367	179

UP-B. 66. FT1. MA - BALL FOOT CHECK VALVES
Ball foot valve

- PVC-U body
- NPT female thread
- O-Rings in EPDM

Válvula de pie de bola

- Cuerpo en PVC-U
- Roscar hembra NPT
- Anillos tóricos en EPDM



G	DN	PN	REF.	CODE
½"	15	16	05 66 801 E	41407
¾"	20	16	05 66 802 E	41408
1"	25	16	05 66 803 E	41409
1¼"	32	16	05 66 804 E	41410
1½"	40	16	05 66 805 E	41411
2"	50	16	05 66 806 E	41412
2½"	65	10	05 66 807 E	41413
3"	80	10	05 66 808 E	41414
4"	80	10	05 66 810 E	41415

L	H	E
16	107	52
19	130	62
22	154	70
26	176	84
31	202	94
38	239	117
44	306	148
51	362	179
61	367	179

PVC-U SWING CHECK VALVES

VÁLVULAS DE CLAPETA PVC-U



Sizes	Metric flanges D63 - D315 (DN50 - DN300) ASTM flanges 4" - 12"	
Standards	ISO/DIN ASTM - 4" - 12"	EN 558-1 ANSI B.16.5 cl. 150
Working pressure	@ 20°C (73°F) D63 - D315 (2" - 12"): PN 6 (90 psi)	
Minimum return pressure	0,1 - 0,3 bar Minimal downstream pressure to keep the valve closed, depending on installation conditions. Presión mínima aguas abajo para mantener la válvula cerrada, dependiendo de las condiciones de instalación.	
Materials	O-rings: EPDM / FPM	
Characteristics	<ul style="list-style-type: none"> • Requires little space in piping systems. • Easy installation: wafer body slips between standard flanges. No gaskets required. • Vertical and horizontal operation. • Excellent flow characteristics. <p>Do not install the valve at a distance lower than 5 x D of the pump out. Install with pipe DIN PN 10 (SCH40). In case of PN 16 (SCH80), the valve could be damaged.</p>	<ul style="list-style-type: none"> • Requiere poco espacio en la instalación. • Fácil instalación: se monta entre bridas standard. Sin necesidad de juntas adicionales. • Instalación vertical y horizontal. • Excelentes características de conducción. <p>No montar la válvula a una distancia inferior a 5 x D de la salida de una bomba. Montar con tubo PN 10 (SCH40). En caso de usar un PN 16 (SCH80) se podrían ocasionar daños en la válvula.</p>
Certifications / regulations	Check valve design regulation - ISO 16137:2006	

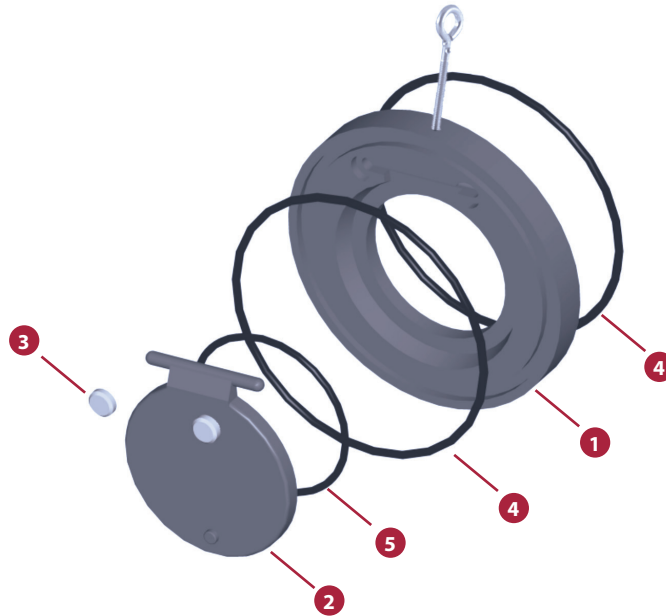
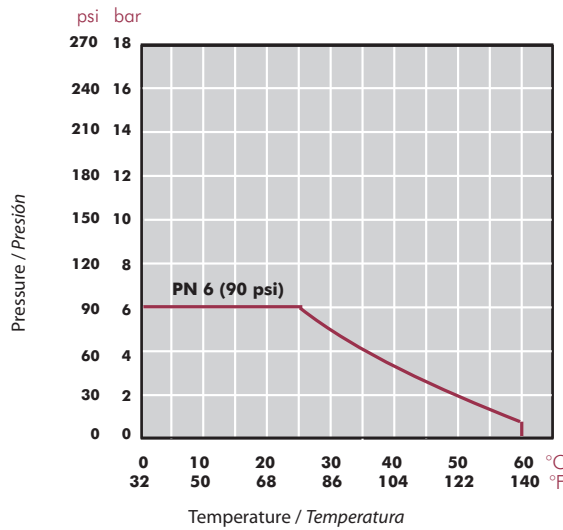


FIG.	Parts	Despiece	Material
1	Body	Cuerpo	PVC-U
2	Flap	Clapeta	PVC-U
3	Cap	Tapón	PP
4	Body O-ring	Junta cuerpo	EPDM / FPM
5	Flap O-ring	Junta clapeta	EPDM / FPM

PRESSURE / TEMPERATURE GRAPH
DIAGRAMA PRESIÓN / TEMPERATURA

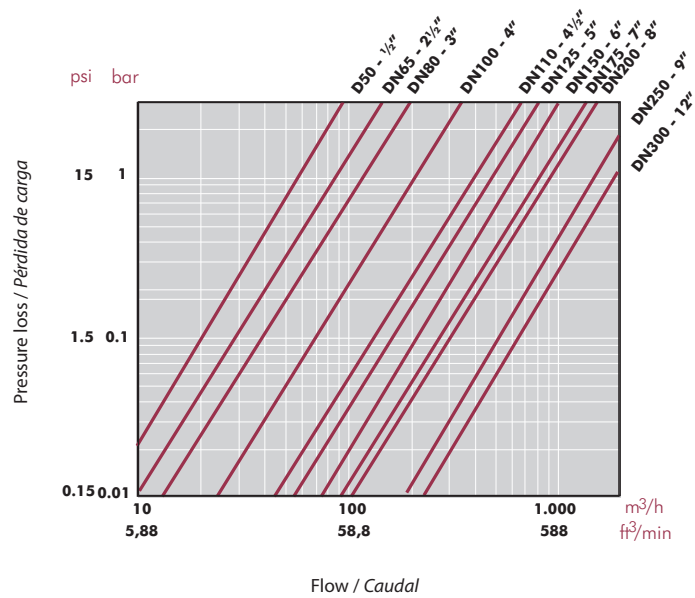


Life: 25 years
 Hydrostatic maximum pressure a component may withstand in continuous service (without overpressure)

Vida útil: 25 años
Presión hidrostática máxima que un componente es capaz de soportar en servicio continuo (sin sobrepresión)

PRESSURE LOSS DIAGRAM

DIAGRAMA DE PÉRDIDAS DE CARGA



RELATIVE FLOW

FLUJO RELATIVO

D	63	75	90	110	125	140	160	200	225	250	280	315
DN	50	65	80	100	125	125	150	175	200	250	250	300
Kv ₁₀₀	57	85	130	200	390	480	600	800	900	1.600	1.600	1.850
Cv	4,0	6,0	9,1	14,0	27,3	33,6	42,0	56,0	63,0	112,0	112,0	129,6

$Cv = Kv_{100} / 14,28$
 Kv_{100} (l/min, $\Delta p = 1$ bar)
 Cv (GPM, $\Delta p = 1$ psi)

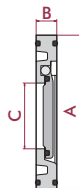
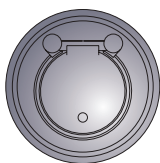
UP. 65 - SWING CHECK VALVE

Swing check valve

- PVC-U body
- O-rings in EPDM (FPM upon request)

Válvula de clapeta

- Cuerpo en PVC-U
- Anillos tóricos en EPDM (FPM bajo pedido)



D	DN	PN	REF.	CODE	A	B	C
4"	100	6	05 65 110	08986	164	22	70
5"	125	6	05 65 140	08987	195	23	92
6"	150	6	05 65 160	08988	220	25	112
7"	175	6	05 65 200	09041	247	28	139
8"	200	6	05 65 225	08989	275	35	150
9"	250	6	05 65 250	37056	328	40	162
10"	250	6	05 65 280	41865	330	40	189
12"	300	6	05 65 315	37057	380	45	226

... the most **complete** range
... la gama más **completa**

	Body <i>Cuerpo</i>	Disc <i>Compuerta</i>	Rubber seal <i>Junta compuerta</i>	Shaft <i>Eje</i>	Sizes <i>Medidas</i>	PN
--	-----------------------	--------------------------	---------------------------------------	---------------------	-------------------------	----

Industrial Series

PP handle with locking device

PP - GR

PVC-U
PVC-C

EPDM perox.
FPM

Stainless steel

D63 - D225
(2" - 8")

10 bar
150 psi

63 - 75

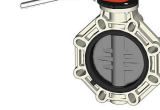
90

110

125 - 140

160

200 - 225



Industrial Series

Gear box

PP - GR

PVC-U
PVC-C

EPDM perox.
FPM

Stainless steel

D63 - D225
(2" - 8")

10 bar
150 psi

D250 - D315
(10" - 12")

6 bar
90 psi

63 - 75

90

110

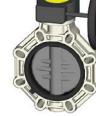
125 - 140

160

200 - 225

250 - 280

315



Standard Series

PP handle with locking device

PVC-U
PP-GF (D250-D315)

PVC-U

EPDM
FPM

Zinc plated steel

D63 - D225
(2" - 8")

10 bar
150 psi

D250 - D315
(10" - 12")

6 bar
90 psi



Classic Series

Aluminium handle

PVC-U

PVC-U

EPDM
FPM

Stainless steel
Zinc plated steel

D63 - D140
(2" - 5")

10 bar
150 psi

D160 - D250
(6" - 10")

6 bar
90 psi

63 - 75

90

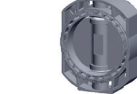
110

125 - 140

160

200 - 225

250



PVC-U BUTTERFLY VALVES - STANDARD SERIES

VÁLVULAS DE MARIPOSA PVC-U - SERIE STANDARD



Sizes	D63 - D315 (DN50 - DN300) 2" - 12" (DN50 - DN300)	
Standards	ISO/DIN, British Standard, ANSI/ASTM, JIS	EN 558-1 BS EN 1092-1 ANSI B.16.5 class 150 JIS B 2220
Working pressure	@ 20°C (73°F) D63-D225 (2" - 8"): PN 10 (150 psi) D250 - D315 (10" - 12"): PN 6 (90 psi)	
Materials	Gasket: EPDM / FPM	Shaft: Zinc plated steel
Characteristics	<ul style="list-style-type: none"> • Ideally suited for flow control using minimal piping space. • 100% factory tested. • Minimal pressure drop. • Low maintenance. • Resistance to many inorganic chemicals. • Regulable opening every 15° with position holding. • Good mechanical strength. • One piece PVC-U body (PP-GF in D250-D315). • New disc design in PVC-U • Non-wetted zinc plated steel shaft. • Ideally suited for irrigation installations or swimming pools. 	<ul style="list-style-type: none"> • Ideal para el control del fluido usando poco espacio. • Testadas al 100% en fábrica. • Mínima pérdida de carga. • Resistencia a múltiples sustancias químicas inorgánicas. • Apertura regulable cada 15° con fijación de posición. • Buena resistencia mecánica. • Cuerpo de una sola pieza en PVC-U (PP-GF en D250-D315). • Nuevo diseño de compuerta en PVC-U. • Eje en acero zincado que no entra en contacto con el fluido. • Ideal para instalaciones de riego o en piscinas.
Certifications / regulations	Butterfly valve design regulation - ISO-1452-4	

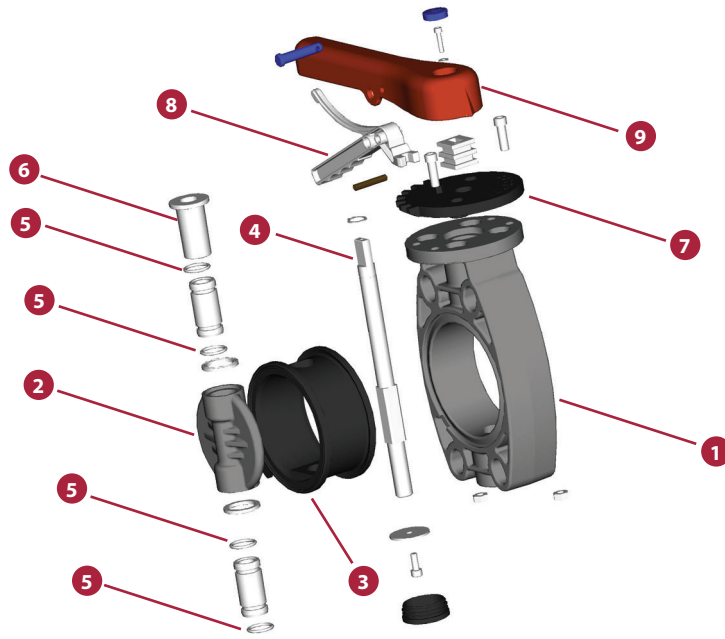
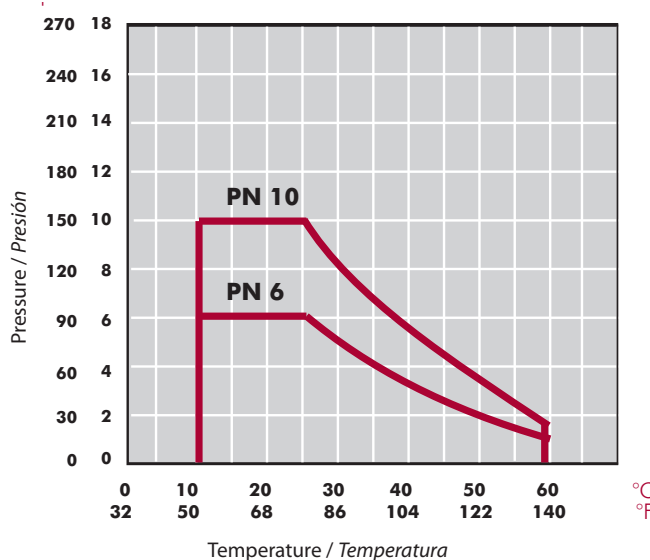


FIG.	Parts	Despiece	Material
1	Body	Cuerpo	PVC-U / PP-GF (D250-D315)
2	Valve disc	Compuerta	PVC-U
3	Rubber seal	Junta compuerta	EPDM / FPM
4	Shaft	Eje	Zinc plated steel
5	O-ring seal	Junta eje	EPDM / FPM
6	Top bearing	Casquillo guía	PP - GF
7	Throttle plate	Conjunto divisor	POM
8	Lever-lock	Gatillo de la maneta	POM
9	Handle	Maneta	PP - GF

PRESSURE / TEMPERATURE GRAPH
DIAGRAMA PRESIÓN / TEMPERATURA

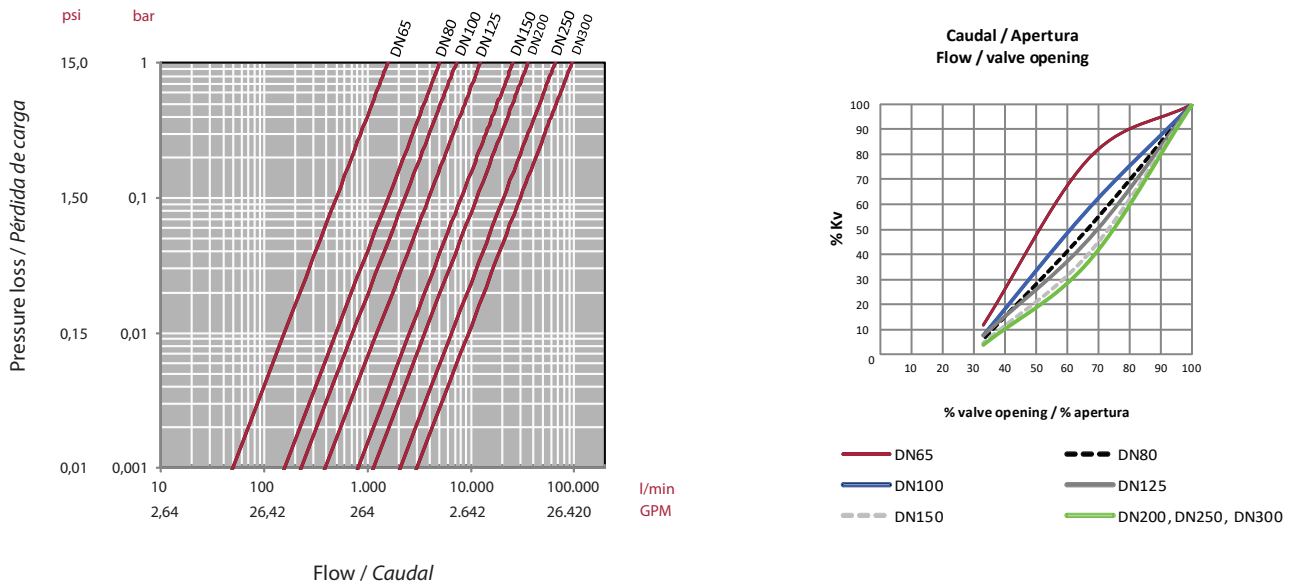


Life: 25 years
 Hydrostatic maximum pressure a component may withstand in continuous service (without overpressure)

Vida útil: 25 años
 Presión hidrostática máxima que un componente es capaz de soportar en servicio continuo (sin sobrepresión)

PRESSURE LOSS DIAGRAM

DIAGRAMA DE PÉRDIDAS DE CARGA



RELATIVE FLOW
FLUJO RELATIVO

D	63-75 (2½")	90 (3")	110 (4")	125-140 (5")	160 (6")	200-225 (8")	250-280 (10")	315 (12")
DN	50 - 65	80	100	125	150	200	250	300
Kv100	1.568	4.980	7.212	12.320	25.447	35.778	65.222	94.660
Cv	110	349	505	863	1.134	2.505	4.567	6.629

$Cv = Kv_{100} / 14,28$
 Kv_{100} (l/min, $\Delta p = 1$ bar)
 Cv (GPM, $\Delta p = 1$ psi)

OPERATIONAL TORQUE CHART
TABLA DE PAR DE MANIOBRA

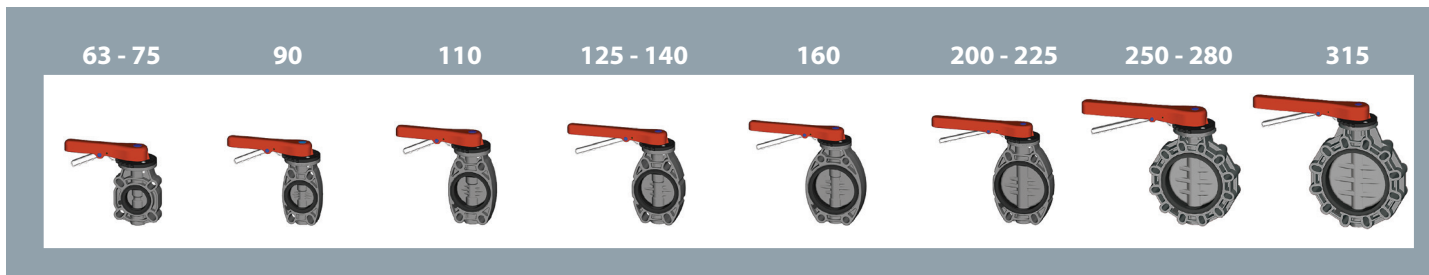
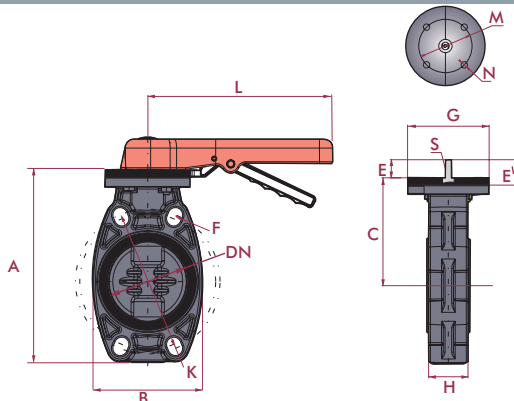
D	63-75 (2½")	90 (3")	110 (4")	125-140 (5")	160 (6")	200-225 (8")	250-280 (10")	315 (12")
DN	50 - 65	80	100	125	150	200	250	300
Nm	25	28	35	85	110	110	180	250
lb*inch	221	248	310	752	974	974	1593	2213

Operating torque values at rated pressure (PN) and 20 °C in as new direct from the factory condition. Installation and operating conditions (pressure and temperature) will affect these values.

Los valores de par de giro se determinan a presión nominal (PN) y a 20 °C, en condiciones de salida de fábrica. Las condiciones de instalación y operación (presión y temperatura) afectarán a estos valores.

TIGHTENING TORQUE (INSTALLATION)
PAR DE APRIETE (INSTALACIÓN)

D	63-75 (2½")	90 (3")	110 (4")	125-140 (5")	160 (6")	200-225 (8")	250-280 (10")	315 (12")
DN	50 - 65	80	100	125	150	200	250	300
Screws	4xM16x120	4xM16x150	4xM16x160	4xM16x170	4xM20x200	4xM20x210	12xM20x270	12xM20x310
(N·m)	25	25	30	35	40	50	80	80
(inch·lbs)	221	221	265	310	354	442	708	708


DIMENSIONS
DIMENSIONES


D	inch	DN	A	B	C	F	G	H	K	L	M	N	E'	S	holes
63-75	2½"	50 - 65	201	135	120	18	112	48	125-145	220	70	9	35	10	4 *
90	3"	80	232	122	136	19	112	52	150-169,5	245	70	9	35	12	4 *
110	4"	100	255	145	148	19	112	59	180-191,5	245	70	9	35	16	4 *
125-140	5"	125	284	175	164	22	112	66	190-215	320	70	9	35	20	4 *
160	6"	150	314	209	180	24	112	72	240	320	70	9	35	20	4 *
200-225	8"	200	378	248	217	23	136	73	270-298	391	102	11	47	26	4 *
250-280	10"	250	476	400	276	25	207	114	355-362	502	155-102	11	49	34	12
315	12"	300	563	476	328	29	207	114	390-432	502	155-102	11	49	34	12

* Not according ANSI regulation
 No conforme norma ANSI

UP. 83. ZP. EP - STANDARD BUTTERFLY VALVES
Butterfly valve

- PVC-U body
- Blue dot
- Joints in EPDM
- Zinc plated steel shaft
- Disc in PVC-U
- PP handle


Válvula de mariposa

- Cuerpo en PVC-U
- Distintivo azul
- Juntas EPDM
- Eje en acero zincado
- Compuerta de PVC-U
- Maneta en PP

D	DN	PN	REF.	CODE
63 - 75	50 - 65	10	05 83 075	32614
90	80	10	05 83 090	32615
110	100	10	05 83 110	32616
125 - 140	125	10	05 83 140	32617
160	150	10	05 83 160	32618
200 - 225	200	10	05 83 200	32619
250-280	250	6	05 83 250	46647
315	300	6	05 83 315	46648

UP. 83. ZP. VI - STANDARD BUTTERFLY VALVES
Butterfly valve

- PVC-U body
- Green dot
- Joints in FPM
- Zinc plated steel shaft
- Disc in PVC-U
- PP handle

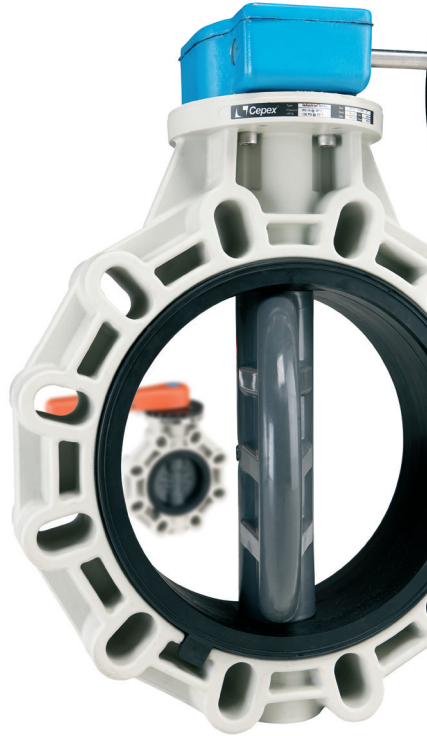

Válvula de mariposa

- Cuerpo en PVC-U
- Distintivo verde
- Juntas FPM
- Eje en acero zincado
- Compuerta de PVC-U
- Maneta en PP

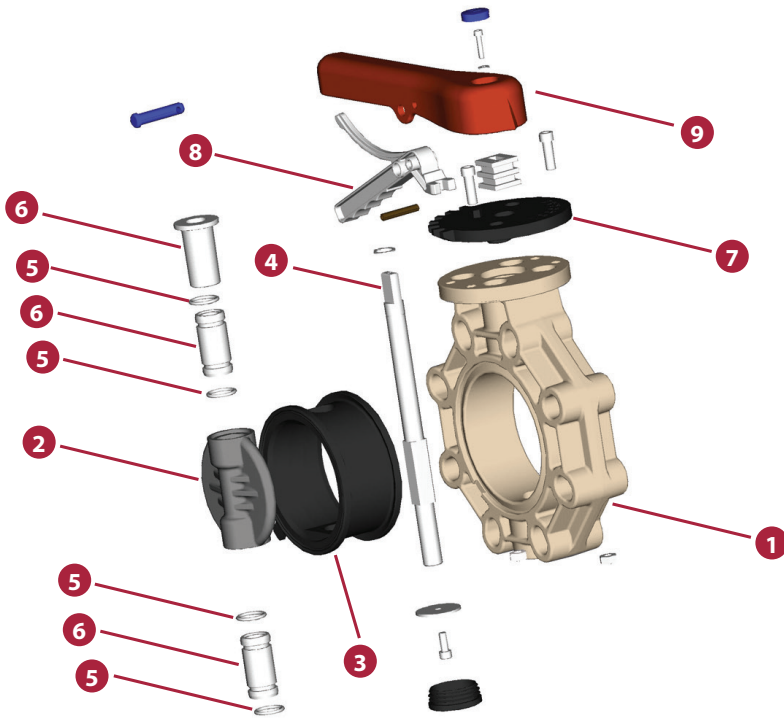
D	DN	PN	REF.	CODE
63 - 75	50 - 65	10	05 83 075 VI	34532
90	80	10	05 83 090 VI	34533
110	100	10	05 83 110 VI	34534
125 - 140	125	10	05 83 140 VI	34535
160	150	10	05 83 160 VI	34536
200 - 225	200	10	50 83 200 VI	34537

PVC-U BUTTERFLY VALVES - INDUSTRIAL SERIES

VÁLVULAS DE MARIPOSA PVC-U - SERIE INDUSTRIAL



Sizes	D63 - D315 (DN50 - DN300) 2" - 12" (DN50 - DN300)	
Standards	ISO/DIN, British Standard, ANSI/ASTM, JIS	EN 558-1 BS EN 1092-1 ANSI B.16.5 class 150 JIS B 2220
Working pressure	@ 20°C (73°F) D63-D225 (2" - 8"): PN 10 (150 psi) D250 - D315 (10" - 12"): PN 6 (90 psi)	
Materials	Gasket: EPDM perox. / FPM	Shaft: Stainless steel (AISI 630)
Characteristics	<ul style="list-style-type: none"> • One piece PP - GR body. • Disc available in different materials (PVC-U, PVC-C). • Ideally suited for flow control using minimal piping space. • 100% factory tested. • Minimal pressure drop. • Low maintenance. • Resistance to many inorganic chemicals. • Regulable opening every 15° with position holding. • Good mechanical strength. • Built in lockout feature to prevent undesired operations. • Electric and pneumatic actuators available, and with gear box. 	<ul style="list-style-type: none"> • Cuerpo de una sola pieza en PP - GR. • Compuerta disponible en diversos materiales (PVC-U, PVC-C). • Ideal para el control del fluido usando poco espacio. • Testadas al 100% en fábrica. • Mínima pérdida de carga. • Resistencia a múltiples sustancias químicas inorgánicas. • Apertura regulable cada 15° con fijación de posición. • Buena resistencia mecánica. • Seguro incorporado en la maneta para evitar operaciones no deseadas. • Motorizaciones eléctricas, neumáticas y reductor manual disponibles.
Certifications / regulations	Butterfly valve design regulation - ISO 16136 CE 0045	



GEAR BOX

It facilitates the maneuver of the valve by reducing the manual actuation torque by means of a handwheel, in addition to achieving greater precision in the case of regulation. Reduction: 40:1

MATERIALS

- Case: Aluminium
- Shaft: Stainless steel
- Handwheel: Stainless steel

Protection: IP65

REDUCTOR MANUAL

Facilita la maniobra de la válvula reduciendo el par de accionamiento manual mediante un volante, además de conseguir mayor precisión en caso de regulación. Reducción: 40:1

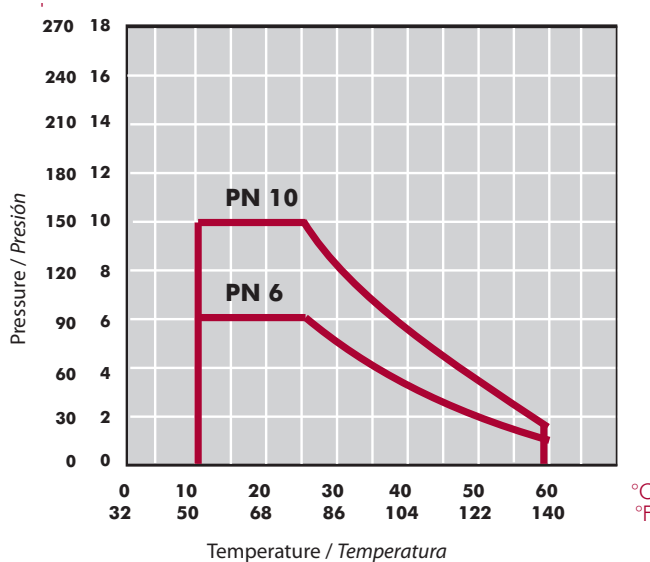
MATERIALES

- Carcasa: Aluminio
- Eje: Acero inoxidable
- Volante: Acero inoxidable

Protección: IP65

FIG.	Parts	Despiece	Material
1	Body	Cuerpo	PP - GR
2	Valve disc	Compuerta	PVC-U
3	Rubber seal	Junta compuerta	EPDM perox. / FPM
4	Shaft	Eje	AISI 630 stainless steel
5	O-ring seal	Junta eje	EPDM perox. / FPM
6	Top bearing	Casquillo guía	PP - GR
7	Throttle plate	Conjunto divisor	PP - GR
8	Lever-lock	Gatillo de la maneta	POM
9	Handle	Maneta	PP - GR
10	Gear box (optional)	Reductor manual (opcional)	Aluminium

PRESSURE / TEMPERATURE GRAPH
DIAGRAMA PRESIÓN / TEMPERATURA

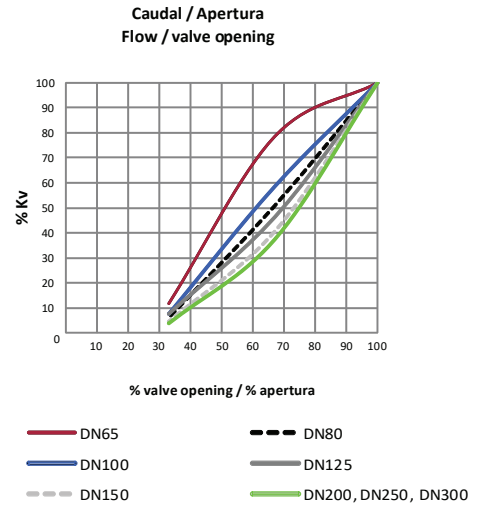
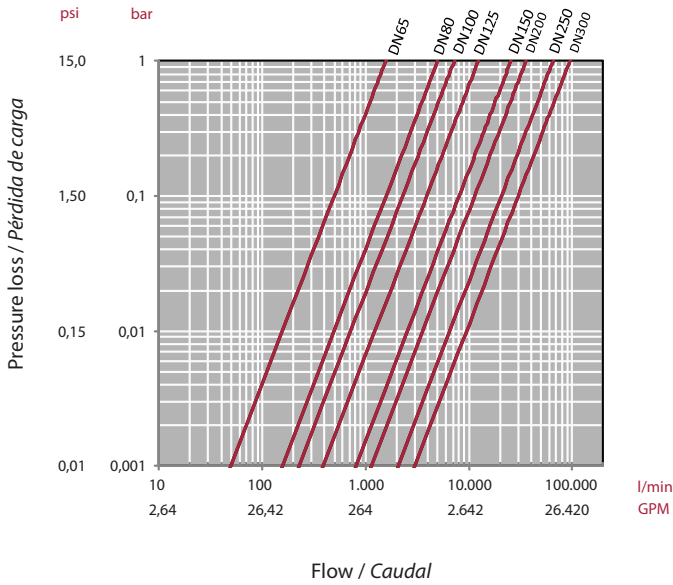


Life: 25 years
Hydrostatic maximum pressure a component may withstand in continuous service (without overpressure)

Vida útil: 25 años
Presión hidrostática máxima que un componente es capaz de soportar en servicio continuo (sin sobrepresión)

PRESSURE LOSS DIAGRAM

DIAGRAMA DE PÉRDIDAS DE CARGA



**RELATIVE FLOW
FLUJO RELATIVO**

D	63-75 (2½")	90 (3")	110 (4")	125-140 (5")	160 (6")	200-225 (8")	250-280 (10")	315 (12")
DN	50 - 65	80	100	125	150	200	250	300
Kv100	1.568	4.980	7.212	12.320	25.447	35.778	65.222	94.660
Cv	110	349	505	863	1.134	2.505	4.567	6.629

$Cv = Kv_{100} / 14,28$
 Kv_{100} (l/min, $\Delta p = 1$ bar)
 Cv (GPM, $\Delta p = 1$ psi)

**OPERATIONAL TORQUE CHART
TABLA DE PAR DE MANIOBRA**

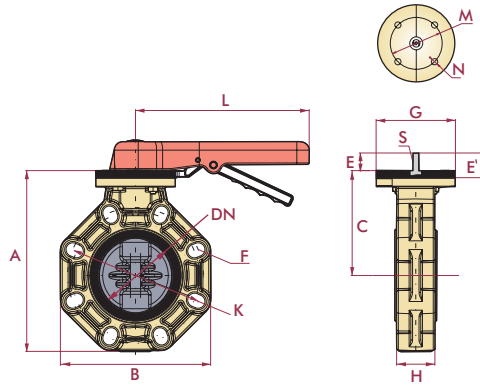
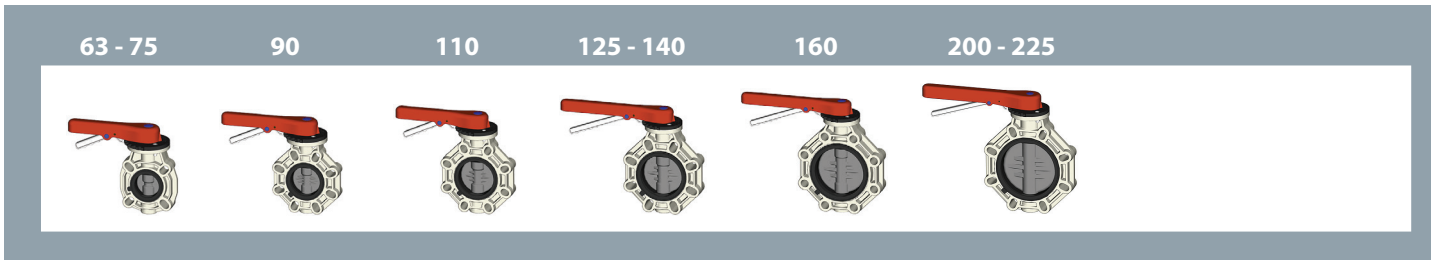
D	63-75 (2½")	90 (3")	110 (4")	125-140 (5")	160 (6")	200-225 (8")	250-280 (10")	315 (12")
DN	50 - 65	80	100	125	150	200	250	300
Nm	25	28	35	85	110	110	180	250
lb*inch	221	248	310	752	974	974	1593	2213

Operating torque values at rated pressure (PN) and 20 °C in as new direct from the factory condition. Installation and operating conditions (pressure and temperature) will affect these values. The actuator that is required for an automatic operation must be calculated according to some safety factors that were determined in life tests carried out in the factory.

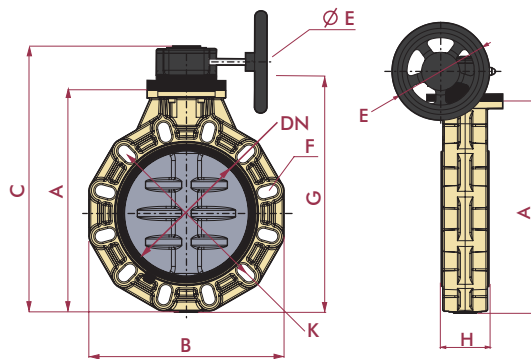
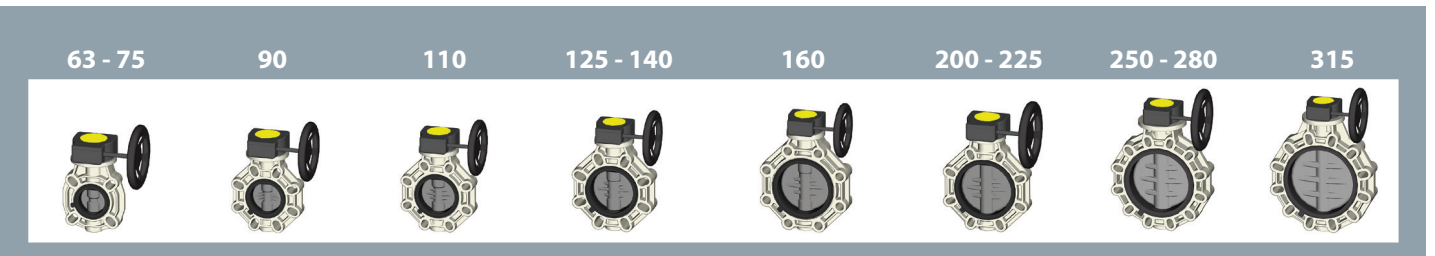
Los valores de par de giro se determinan a presión nominal (PN) y a 20 °C, en condiciones de salida de fábrica. Las condiciones de instalación y operación (presión y temperatura) afectarán a estos valores. El actuador requerido para automatizar el giro debe ser calculado teniendo en cuenta ciertos coeficientes de seguridad que han sido determinados en pruebas de fatiga realizadas en fábrica.

**TIGHTENING TORQUE (INSTALLATION)
PAR DE APRIETE (INSTALACIÓN)**

D	63-75 (2½")	90 (3")	110 (4")	125-140 (5")	160 (6")	200-225 (8")	250-280 (10")	315 (12")
DN	50 - 65	80	100	125	150	200	250	300
Screws	4xM16x120	8xM16x150	8xM16x160	8xM16x170	8xM20x200	8xM20x210	12xM20x270	12xM20x310
(N·m)	25	25	30	35	40	50	80	80
(inch·lbs)	221	221	265	310	354	442	708	708

DIMENSIONS
DIMENSIONES


D	inch	DN	A	B	C	E	F	H	I	K	L	M	N	holes
63-75	2½"	50 - 65	241	156	120	81	18	45	112	125-145	22	70	9	4 *
90	3"	80	272	190	136	95	19	48	112	150-170	245	70	9	8
110	4"	100	294	212	148	106	19	54	112	180-192	245	70	9	8
125-140	5"	125	326	238	164	119	22	64	112	190-215	320	70	9	8
160	6"	150	355	265	180	133	24	70	112	240	320	70	9	8
200-225	8"	200	427	320	217	161	23	71	136	270-298	391	102	11	8



D	inch	DN	B	D	E	F	G	H	K	M	N	holes
63-75	2½"	50 - 65	156	203	81	18	125	45	125-145	70	9	4 *
90	3"	80	190	220	95	19	125	48	150-170	70	9	8
110	4"	100	212	231	106	19	125	54	180-192	70	9	8
125-140	5"	125	238	254	119	22	160	64	190-215	70	9	8
160	6"	150	265	270	133	24	160	70	240	70	9	8
200-225	8"	200	320	320	161	23	160	71	270-298	102	11	8
250-280	10"	250	392	402	199	24	200	112	329-355	-	-	12 *
315	12"	300	470	421	238	28	200	114	384-427	-	-	12

UP. 84. SS. FGEP - INDUSTRIAL BUTTERFLY VALVES

Butterfly valve

- PP - GR body
- Blue dot
- Joints in EPDM perox.
- Stainless steel shaft (AISI 630)
- Disc in PVC-U
- PP-GR handle

Válvula de mariposa

- Cuerpo en PP - GR
- Distintivo azul
- Juntas EPDM perox.
- Eje en acero inoxidable (AISI 630)
- Compuerta de PVC-U
- Maneta en PP-GR



D	DN	PN	REF.	CODE
63 - 75	50 - 65	10	05 84 075	32620
90	80	10	05 84 090	32621
110	100	10	05 84 110	32622
125 - 140	125	10	05 84 140	32623
160	150	10	05 84 160	32624
200 - 225	200	10	05 84 200	32625

UP. 84. SS. VI - INDUSTRIAL BUTTERFLY VALVES

Butterfly valve

- PP - GR body
- Green dot
- Joints in FPM
- Stainless steel shaft (AISI 630)
- Disc in PVC-U
- PP-GR handle

Válvula de mariposa

- Cuerpo en PP - GR
- Distintivo verde
- Juntas FPM
- Eje en acero inoxidable (AISI 630)
- Compuerta de PVC-U
- Maneta en PP-GR



D	DN	PN	REF.	CODE
63 - 75	50 - 65	10	05 84 075 VI	32628
90	80	10	05 84 090 VI	32629
110	100	10	05 84 110 VI	32630
125 - 140	125	10	05 84 140 VI	32631
160	150	10	05 84 160 VI	32632
200 - 225	200	10	05 84 200 VI	32633

UP. 84. SS. FGEP. RM - INDUSTRIAL BUTTERFLY VALVES

Butterfly valve

- PP - GR body
- Joints in EPDM perox.
- Stainless steel shaft (AISI 630)
- Disc in PVC-U
- Gear box

Válvula de mariposa

- Cuerpo en PP - GR
- Juntas EPDM perox.
- Eje en acero inoxidable (AISI 630)
- Compuerta de PVC-U
- Reductor manual



D	DN	PN	REF.	CODE
63 - 75	50 - 65	10	05 84 075 RM	34466
90	80	10	05 84 090 RM	34467
110	100	10	05 84 110 RM	34468
125 - 140	125	10	05 84 140 RM	34469
160	150	10	05 84 160 RM	34470
200 - 225	200	10	05 84 200 RM	34471
250 - 280	250	6	05 84 250 RM	34472
315	300	6	05 84 315 RM	32738

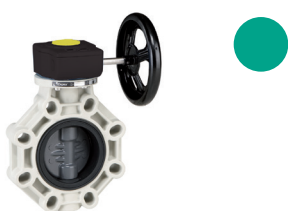
UP. 84. SS. VI. RM - INDUSTRIAL BUTTERFLY VALVES

Butterfly valve

- PP - GR body
- Joints in FPM
- Stainless steel shaft (AISI 630)
- Disc in PVC-U
- Gear box

Válvula de mariposa

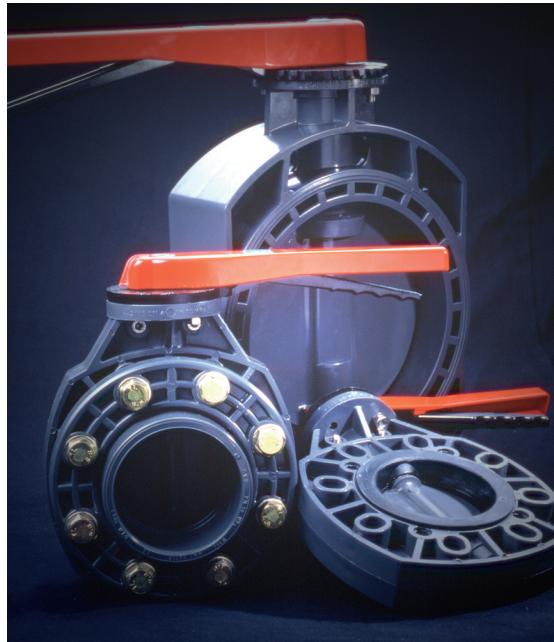
- Cuerpo en PP - GR
- Juntas FPM
- Eje en acero inoxidable (AISI 630)
- Compuerta de PVC-U
- Reductor manual



D	DN	PN.	REF.	CODE
63 - 75	50 - 65	10	05 84 075 VRM	34473
90	80	10	05 84 090 VRM	34474
110	100	10	05 84 110 VRM	34475
125 - 140	125	10	05 84 140 VRM	34476
160	150	10	05 84 160 VRM	34477
200 - 225	200	10	05 84 200 VRM	34478
250 - 280	250	6	05 84 250 VRM	34479
315	300	6	05 84 315 VRM	32739

PVC-U BUTTERFLY VALVES - CLASSIC SERIES

VÁLVULAS DE MARIPOSA PVC-U - SERIE CLASSIC

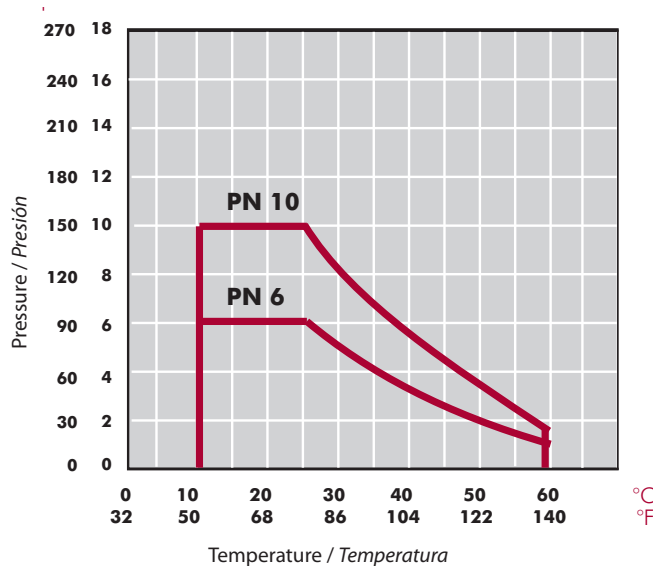


Sizes	D63 - D250 (DN65 - DN200) 2" - 10"	
Standards	ISO/DIN, British Standard, ANSI/ASTM, JIS	EN 558-1 BS EN 1092-1 ANSI B.16.5 class 150 JIS B 2220
Working pressure	@ 20°C (73°F) D63-D140 (2" - 5"): PN 10 (150 psi) D160 - D250 (6" - 10"): PN 6 (90 psi)	
Materials	Gasket: EPDM / FPM	Shaft: Zinc plated steel / Stainless steel (AISI 316)
Characteristics	<ul style="list-style-type: none"> • Ideally suited for flow control using minimal piping space. • 100% factory tested. • Minimal pressure drop. • Low maintenance. • Resistance to many inorganic chemicals. • Excellent flow characteristics. • Good mechanical strength. • PVC-U body. 	<ul style="list-style-type: none"> • Ideal para el control del fluido usando poco espacio. • Testadas al 100% en fábrica. • Mínima pérdida de carga. • Resistencia a múltiples sustancias químicas inorgánicas. • Excelentes características de conducción. • Buena resistencia mecánica. • Cuerpo en PVC-U.
Certifications	Butterfly valve design regulation - ISO-1452-4	



FIG.	Parts	Despiece	Material
1	Body	Cuerpo	PVC-U
2	Valve disc	Compuerta	PVC-U
3	Rubber seal	Junta compuerta	EPDM / FPM
4	Shaft	Eje	AISI 316 stainless steel or zinc plated steel
5	O-ring seal	Junta eje	EPDM / FPM
6	Top bearing	Casquillo guía	PE
7	Throttle plate	Conjunto divisor	Aluminium
8	Lever-lock	Gatillo de la maneta	Aluminium
9	Handle	Maneta	Aluminium

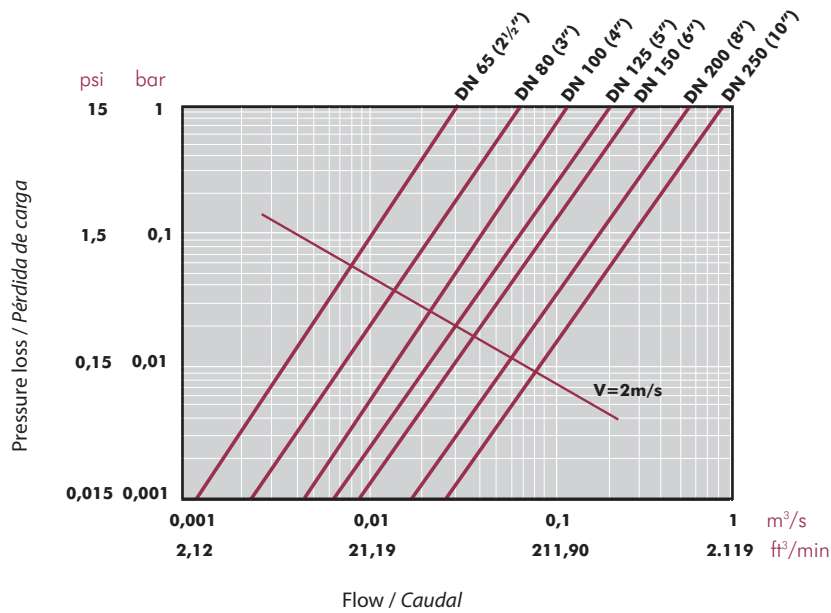
PRESSURE / TEMPERATURE GRAPH
DIAGRAMA PRESIÓN / TEMPERATURA



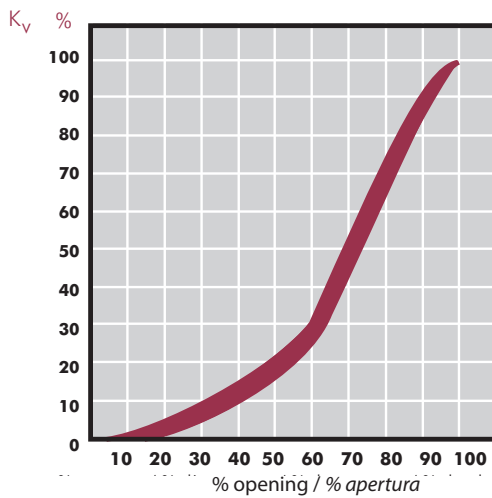
Life: 25 years
 Hydrostatic maximum pressure a component may withstand in continuous service (without overpressure)

Vida útil: 25 años
 Presión hidrostática máxima que un componente es capaz de soportar en servicio continuo (sin sobrepresión)

PRESSURE LOSS DIAGRAM
DIAGRAMA DE PÉRDIDAS DE CARGA



RELATIVE FLOW CHART
DIAGRAMA DE FLUJO RE ATIVO



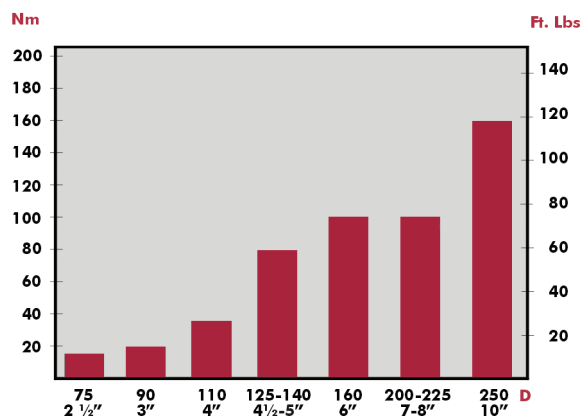
D		K_{v100}	C_v
63-75	2"-2½"	1800	126
90	3"	4020	282
110	4"	8280	580
125-140	5"	11760	824
160	6"	16200	1134
200-225	7"-8"	33000	2311
250	10"	52200	3655

$$C_v = K_{v100} / 14,28$$

K_{v100} (l/min, $\Delta p = 1$ bar)

C_v (GPM, $\Delta p = 1$ psi)

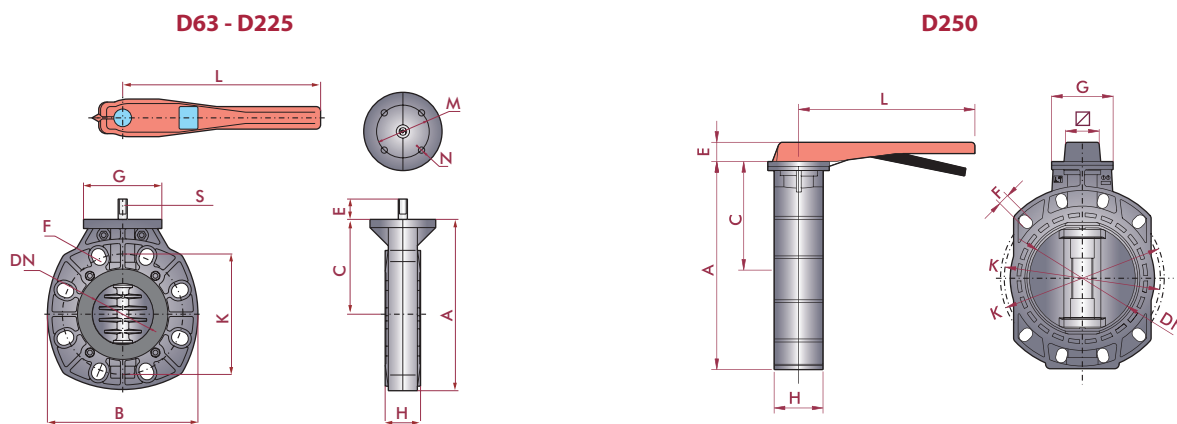
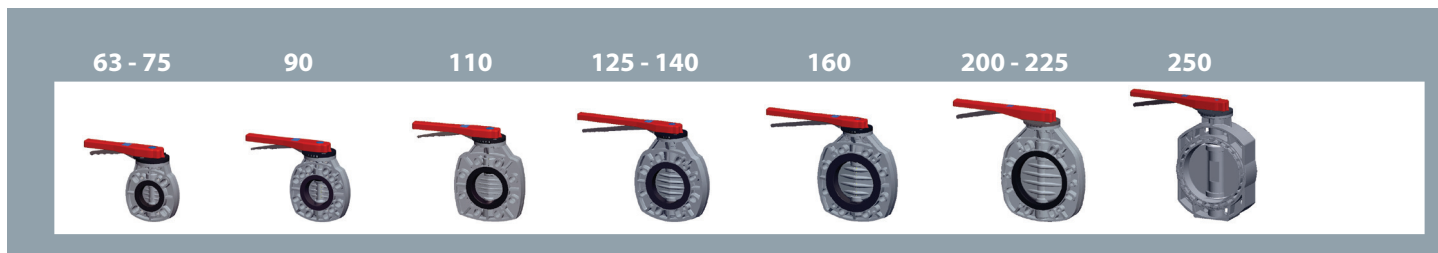
TORQUE GRAPH
DIAGRAMA DE PAR



Operating torque values at rated pressure (PN) and 20 °C in as new direct from the factory condition. Installation and operating conditions (pressure and temperature) will affect these values. The actuator that is required for an automatic operation must be calculated according to some safety factors that were determined in life tests carried out in the factory.

Los valores de par de giro se determinan a presión nominal (PN) y a 20 °C, en condiciones de salida de fábrica. Las condiciones de instalación y operación (presión y temperatura) afectarán a estos valores. El actuador requerido para automatizar el giro debe ser calculado teniendo en cuenta ciertos coeficientes de seguridad que han sido determinados en pruebas de fatiga realizadas en fábrica.

DIMENSIONS
DIMENSIONES



D	DN	A	B	C	E	F	G	H	K	L	M	N	S	☐	holes
63-75	65	192	165	110	27	18	104	48	125/145	228	70	9	10		4 *
90	80	227	200	126	27	18	104	53	160/169	263	70	9	12		8 *
110	100	271	229	156	30	18	104	60	180/190	263	70	9	16		8
125-140	125	297	250	172	30	18	104	66	190/210	350	70	9	20		8
160	150	327	285	185	30	22	104	72	240	350	70	9	20		8
200-225	200	400	340	230	30	22	136	73	270/295	390	102	11	26		8 *
250	250	450	319	250	37	24	136	108	345/362	390	102	11		22	12 *

* Not according ANSI regulation
No conforme norma ANSI

UP. 80. Z1 - CLASSIC BUTTERFLY VALVE

Butterfly valve

- PVC-U body
- Blue dot
- Joints in EPDM
- Zinc plated steel shaft
- Disc in PVC-U
- Aluminium handle

Válvula de mariposa

- Cuerpo en PVC-U
- Distintivo azul
- Juntas EPDM
- Eje en acero zincado
- Compuerta de PVC-U
- Maneta en aluminio



D	DN	PN	REF.	CODE
63 - 75	65	10	05 80 075	02581
90	80	10	05 80 090	02582
110	100	10	05 80 110	02583
125 - 140	125	10	05 80 140	02585
160	150	6	05 80 160	02586
200 - 225	200	6	05 80 200	02587
250	250	6	05 80 250	15846

UP. 80. I4 - CLASSIC BUTTERFLY VALVE

Butterfly valve

- PVC-U body
- Green dot
- Joints in FPM
- Stainless steel shaft (AISI 316)
- Disc in PVC-U
- Aluminium handle

Válvula de mariposa

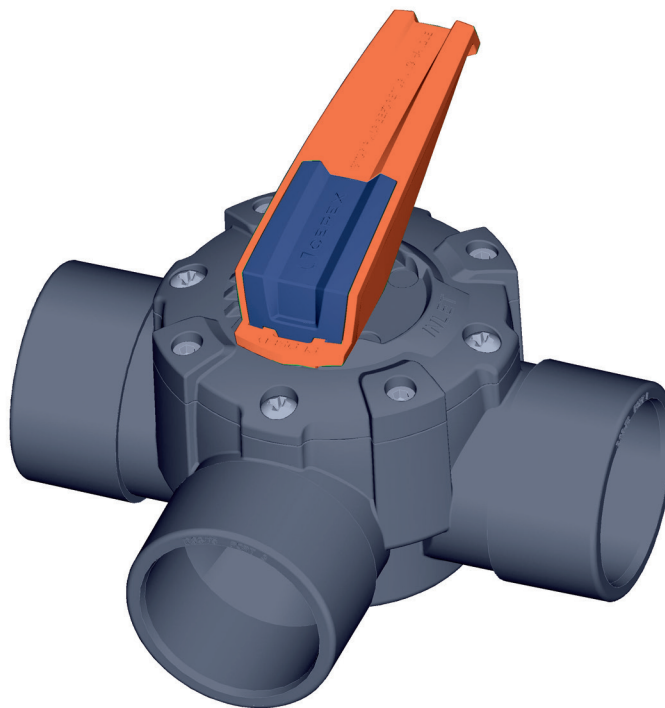
- Cuerpo en PVC-U
- Distintivo verde
- Juntas FPM
- Eje en acero inoxidable (AISI 316)
- Compuerta de PVC-U
- Maneta en aluminio



D	DN	PN	REF.	CODE
63 - 75	65	10	05 80 075 IV	16713
90	80	10	05 80 090 IV	16714
110	100	10	05 80 110 IV	16715
125 - 140	125	10	05 80 140 IV	16716
160	150	6	05 80 160 IV	16717
200 - 225	200	6	05 80 200 IV	16718
250	250	6	05 80 250 IV	22426

PVC-U ROTARY DISC VALVES

VÁLVULAS DE COMPUERTA ROTATORIA PVC-U



Sizes	Solvent cement D50(internal) - D63(external) Solvent cement D63(internal) - D75(external)	
Standards	Metric British standard ASTM	EN ISO 1452, EN ISO 15493 BS 4346-1 ASTM D 2467
Working pressure	@ 20°C (73°F) D50 - D75 (1¼" - 1½"): PN 6 (90 psi)	
Materials	O-rings: EPDM	Gasket: Silicone
Characteristics	<ul style="list-style-type: none"> • 2 & 3-way distribution valve. • Solvent inner connection to or solvent outer connection to pipe through end connectors. • Handle indicator of flow direction. • Closing pump position is not allowed under pressure. • Excellent flow characteristics. • Visual position indicator. • Always stop pump before turning handle. 	<ul style="list-style-type: none"> • Válvula distribuidora a 2 y 3 vías. • Posibilidad de conexionado interior encolado o conexionado encolado exterior a tubo mediante manguito de conexión. • Maneta indicadora del sentido del fluido. • No permite cerrar la boca de entrada del fluido. • Excelentes características de conducción. • Indicador visual de posición. • Antes de cambiar la posición de la válvula detenga siempre la bomba.
Certifications		

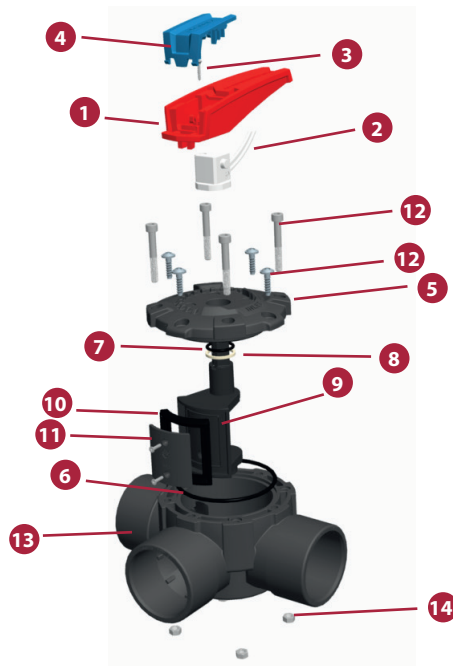
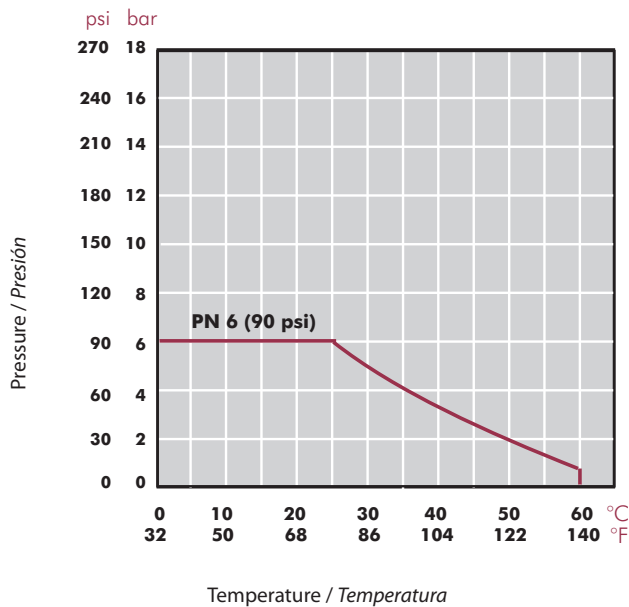


FIG.	Parts	Despiece	Material
1	Handle	Conjunto maneta	PP
2	Handle shaft	Eje palanca	POM
3	Handle retaining screw	Tornillo fijación maneta	AISI 304
4	Handle cover	Tapa maneta	PP
5	Valve lid (cover)	Tapa	PVC-U
6	Body O-ring	Junta cuerpo	EPDM
7	O-ring seal	Junta eje	EPDM
8	Shaft flat gasket	Junta plana eje	PTFE
9	Rotatory disc	Compuerta giratoria	PPO
10	Gasket	Junta compuerta	Silicone
11	Disc seal retainer	Brida junta compuerta	PPO
12	Cover retaining screws	Tornillos fijación tapa	AISI 304
13	Body	Cuerpo	PVC-U
14	Nuts	Tuercas	AISI 304

PRESSURE / TEMPERATURE GRAPH
DIAGRAMA PRESIÓN / TEMPERATURA

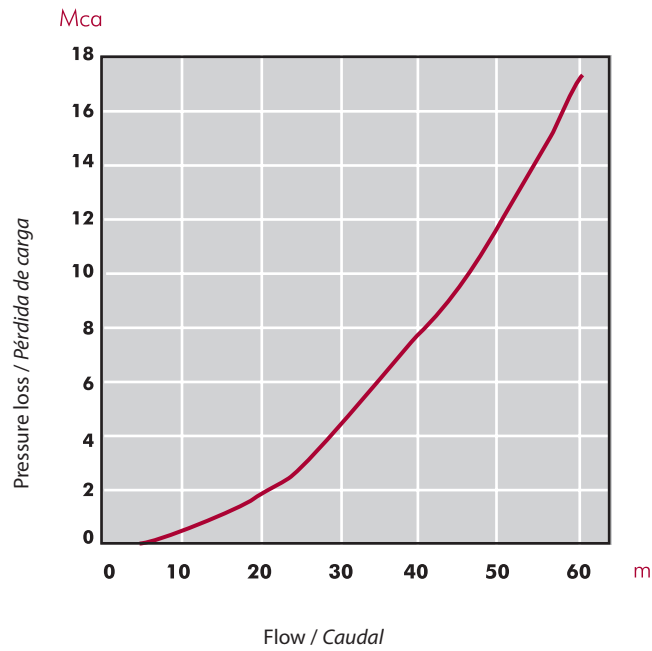


Life: 25 years
Hydrostatic maximum pressure a component may withstand in continuous service (without overpressure)

Vida útil: 25 años
Presión hidrostática máxima que un componente es capaz de soportar en servicio continuo (sin sobrepresión)

PRESSURE LOSS DIAGRAM

DIAGRAMA DE PÉRDIDAS DE CARGA



WORKING DIAGRAM

ESQUEMA DE FUNCIONAMIENTO

	2 ways open 2 vías abiertas	2 ways open 2 vías abiertas	3 ways open 3 vías abiertas
Central Inlet Recommended position <i>Entrada central</i> Posición recomendada			
Left inlet It is needed to change the valve cover position <i>Entrada izquierda</i> Necesario cambiar la posición de la tapa de la válvula			
Right inlet It is needed to change the valve cover position <i>Entrada derecha</i> Necesario cambiar la posición de la tapa de la válvula			

INSTALLATION

Valves engineered for long lasting performance in pool- spa environments with distribution system designed to obtain optimum flow regulation on every port with easy handling. Three way valves allow: 2 ports open & 1 closed, 3 ports open or adjustable partial opening.

Installation

When plumbing up the valve use tested PVC-U cement (e.g. CEPEX).

Avoid excessive adhesive application. It might flow into the valve causing damage.

The 2-way valve body contains an arrow to indicate the normal direction of flow the body marked flow directional arrow.

Before starting the pump make sure the valve is in the desired position.

Service

The direction of the handle indicates which way is closed (CLOSED). In 3-way valves, inlet C (INLET) is the default inlet for the liquid. The inlet can be changed by dismounting the valve and changing the cover position as desired.

Nevertheless, the inlet should not be closed under any circumstances.

Always stop pump before turning handle!

The water acts as a lubricant. However we recommend lubricate the disc seal with any silicon grease once a year in order to avoid the sticking effect.

If you have to disassemble the valve top assembly proceed as follows:

Unscrew the stainless steel bolts.

Helped by a screwdriver lift the cover and remove the top assembly carefully, avoiding to damage the o-ring.

After you have done your work proceed with reassembly as follows:

Make sure the lubricated cover o-ring is placed on the top of the body, NOT around the valve top.

Match the assembly marks and press the valve top into the bottom until it "clicks in".

Tighten bolts with screwdriver. Overtighten bolts may cause damage to valve.

INSTALACIÓN

Válvulas concebidas para su uso en piscinas y spas, disponen de un sistema de distribución diseñado para facilitar la regulación óptima del flujo a cada salida con una gran facilidad de manejo. La válvula de tres vías permite: 2 vías abiertas y 1 cerrada, 3 vías abiertas ó apertura parcial regulable.

Montaje

Al encolar la válvula use un adhesivo para PVC-U rígido de probada eficacia (p.e. "CEPEX").

Evite la aplicación excesiva de adhesivo que podría gotear al interior de la válvula causando daños a la misma.

El cuerpo de la válvula de 2 vías tiene una flecha que indica el sentido normal del flujo. Asegúrese de respetar dicho sentido al montar la válvula.

Antes de conectar la bomba asegúrese de que la válvula se encuentra en la posición deseada.

Instrucciones de servicio

La dirección de la maneta indica la vía que queda cerrada (CLOSED). En el caso de la versión de 3 vías, la boca C (INLET) es por defecto la boca de entrada del fluido. Es posible cambiar la boca de entrada desmontando la válvula y cambiando la orientación de la tapa según convenga.

En cualquier caso, la boca de entrada del fluido nunca debe cerrarse.

Antes de cambiar la posición de la válvula detenga siempre la bomba!

El propio fluido lubrica la válvula, pero se recomienda lubricar la junta de la compuerta cada año con una grasa de silicona para un funcionamiento óptimo evitando el efecto de adherencia.

Para desmontar la válvula, siga las instrucciones siguientes:

Afloje y retire los tornillos de acero inoxidable.

Con ayuda de un destornillador levante el conjunto Tapa-compuerta-maneta con cuidado de no dañar la junta.

Una vez realizada la operación vuelva a ensamblar la válvula como sigue:

Sitúe la junta tórica lubricada en el cuerpo de la válvula, NO en la tapa.

Busque las marcas de alineación en ambas partes de la válvula, encárelas y presione hasta que asienten correctamente. Coloque y apriete los tornillos de fijación. Un apriete excesivo de los tornillos puede provocar daños a la válvula.

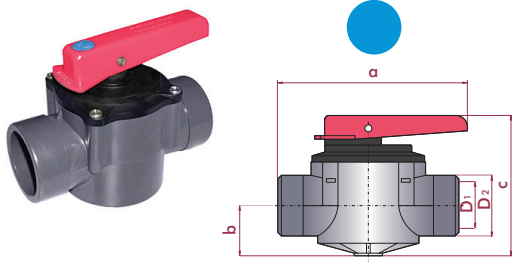
UP. 90. 2V. MA - PVC-U ROTARY DISC VALVE

2-way rotary disc valve

- PVC-U body
- Female/male solvent socket
- Metric series
- O-Rings in EPDM

Válvula de compuerta rotatoria de 2 vías

- Cuerpo en PVC-U
- Encolar hembra/macho
- Serie ASTM
- Juntas en EPDM



D ₁ - D ₂	PN	REF.	CODE
1½"	6	05 90 729 MA	16385

a	b	c
165	50	140

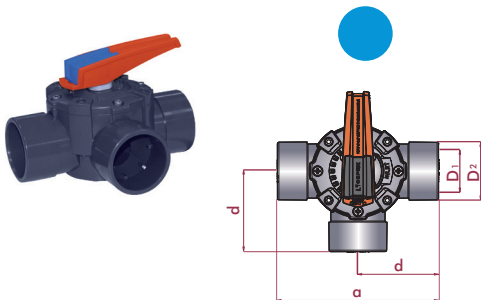
UP. 90. 3V. B - PVC-U ROTARY VALVE

3-way rotary disc valve

- PVC-U body
- Female/male solvent socket
- Metric series
- O-Rings in EPDM

Válvula de compuerta rotatoria de 3 vías

- Cuerpo en PVC-U
- Encolar hembra/macho
- Serie ASTM
- Juntas en EPDM



D ₁ - D ₂	PN	REF.	CODE
1½"	6	05 90 739 MA	16386
2" - 2½"	6	05 90 749 MA	43737

a	d
165	80
210	105

**PVC-C
PRESSURE
FITTINGS**

METRIC SERIES

ELBOWS <i>CODOS</i>	01	PAG. 550
TEES <i>TÉS</i>	02	PAG. 551
SOCKETS AND REDUCERS <i>MANGUITOS Y REDUCCIONES</i>	03	PAG. 551
CAPS <i>TAPONES</i>	04	PAG. 552
NIPPLES <i>MACHONES</i>	05	PAG. 552
FLANGES <i>BRIDAS</i>	06	PAG. 553
SOLVENT CEMENT <i>ADHESIVOS</i>	07	PAG. 556

FEATURES

- PVC-C fittings for the PVC-C pipe union.
- Material: PVC-U.
- Injection moulding.
- Density: 1,5 g/cm³.
- Color: grey RAL 7042.
- Dimensions: socket fittings D16 to D110 and threaded fittings from ¼" to 4".
- Dimensions:
 - Socket fittings according to EN 1452-3.
 - Threaded fittings according to ISO 7/1.
- For tubes according to EN 1452-2.
- Socket fittings: we recommend solvent cement THF basis.
- Threaded fittings: in order to guarantee the watertightness, PTFE thread-wrap tape must be used. In PVC-U metal unions, use PVC-U as the male.

CARACTERÍSTICAS

- Accesorios en PVC-C para unión de tuberías de PVC-C.
- Moldeo por inyección.
- Densidad: 1,5 g/cm³.
- Color: gris RAL 7042.
- Dimensiones: accesorios encolar de D16 hasta D100 y accesorios roscar de ¼" a 4".
- Dimensiones:
 - Accesorios encolar según la norma EN 1452-3.
 - Accesorios roscados según la norma ISO 7/1.
- Para tubos según norma EN 1452-2.
- Accesorios encolar: recomendamos el uso de cola a base de THF.
- Accesorios roscados: para garantizar la estanqueidad sólo es admisible el uso de cinta de PTFE. En uniones PVC-U-metal, el macho debe ser el PVC-U.

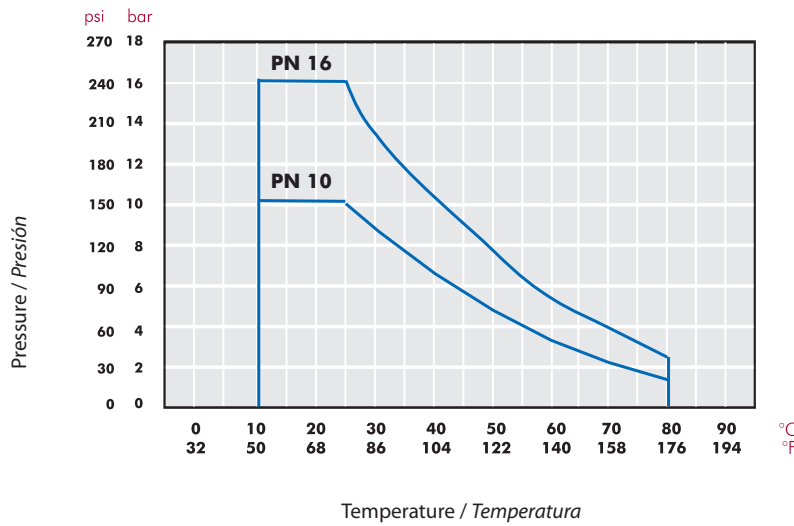


FIG.	Details	Detalles
1	Logo, material, dimensions, PN	Logo, material, dimensiones, PN
2	European standard, N (Aenor), Kiwa o NF (Afnor)	Norma europea, N (Aenor), Kiwa o NF (Afnor)
3	Marked at 45°	Marcaje a 45°

TECHNICAL CHARACTERISTICS
CARACTERÍSTICAS TÉCNICAS

Unions Uniones	Sizes Medidas	Working pressure at 20°C Presión de servicio a 20°C
Solvent socket / Encolar	D16 - D140	PN 16 (240 psi)
Solvent socket / Encolar	D160 - D315	PN10 (150 psi)
Threaded / Roscar	½" - 4"	PN 10 (150 ps)

PRESSURE / TEMPERATURE GRAPH
DIAGRAMA PRESIÓN / TEMPERATURA

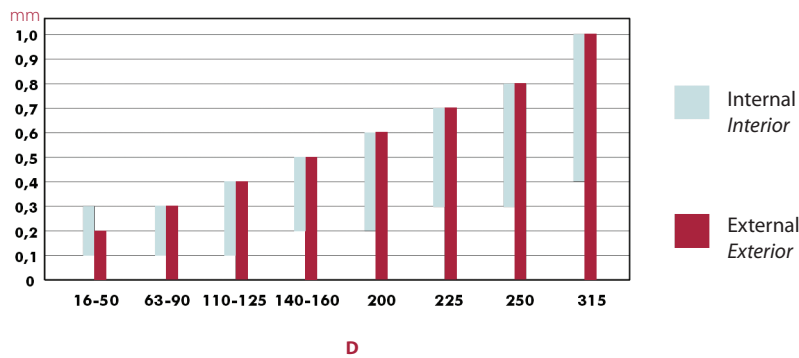


Life: 25 years
Hydrostatic maximum pressure a component may withstand in continuous service (without overpressure)

Vida útil: 25 años
Presión hidrostática máxima que un componente es capaz de soportar en servicio continuo (sin sobrepresión)

TOLERANCE GRAPH
DIAGRAMA TOLERANCIAS

(mm x D solvent socket)
EN 1452



PVC-C ELBOWS CODOS PVC-C

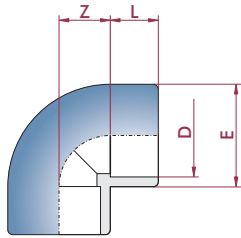
CP. 01. SF - PVC-C 90° ELBOW

90° elbow

- Female solvent socket
- Metric series

Codo 90°

- Encolar hembra
- Serie métrica



D	DN	PN	REF.	CODE
16	10	16	36 01 016	50692
20	15	16	36 01 020	50693
25	20	16	36 01 025	50694
32	25	16	36 01 032	50695
40	32	16	36 01 040	50696
50	40	16	36 01 050	50697
63	50	16	36 01 063	50698
75	65	16	36 01 075	50699
90	80	16	36 01 090	50700
110	100	16	36 01 110	50701

L	Z	E
17	9	21
21	11	26
26	14	32
31	17	40
36	21	49
42	26	62
51	33	77
43	39	90
50	46	108
60	56	131

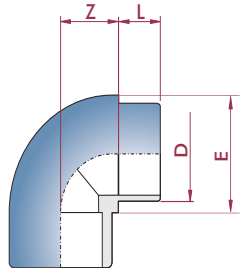
CP. 01. SFT - PVC-C 90° ELBOW

90° elbow

- Female solvent socket & male solvent socket
- Metric series

Codo 90°

- Encolar hembra y encolar macho
- Serie métrica



D	DN	PN	REF.	CODE
16	15	16	36 29 216	50788
20	20	16	36 29 220	50789
25	25	16	36 29 225	50790
32	32	16	36 29 232	50791

L	Z	E
17	10	21
21	11	26
26	12	32
31	15	40

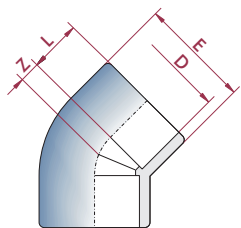
CP. 02. SF - PVC-C 45° ELBOW

45° elbow

- Female solvent socket
- Metric series

Codo 45°

- Encolar hembra
- Serie métrica



D	DN	PN	REF.	CODE
16	10	16	36 02 016	50702
20	15	16	36 02 020	50703
25	20	16	36 02 025	50704
32	25	16	36 02 032	50705
40	32	16	36 02 040	50706
50	40	16	36 02 050	50707
63	50	16	36 02 063	50708
75	65	16	36 02 075	50709
90	80	16	36 02 090	50710
110	100	16	36 02 110	50711

L	Z	E
17	5	21
21	5	26
26	6	32
31	8	40
36	10	59
42	12	62
51	14	77
43	17	90
50	20	108
60	24	131

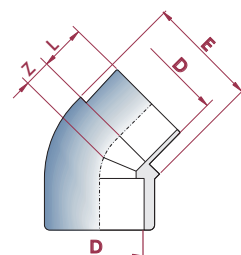
CP. 02. SFT - PVC-C 45° ELBOW

45° adaptor elbow

- Female solvent socket & male solvent socket
- Metric series

Codo 45° mixto

- Encolar hembra y encolar macho
- Serie métrica



D	DN	PN	REF.	CODE
16	15	10	36 30 216	50792
20	20	10	36 30 220	50793
25	25	10	36 30 225	50794
32	32	10	36 30 232	50795

L	Z	E
17	10	21
21	11	26
26	12	32
31	15	40

PVC-C TEES
TÉS PVC-C

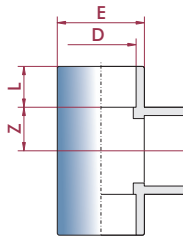
CP. 03. SF - PVC-C TEE

90° tee

- Female solvent socket
- Metric series

Té 90°

- Encolar hembra
- Serie métrica



D	DN	PN	REF.	CODE
16	10	16	36 03 016	50712
20	15	16	36 03 020	50713
25	20	16	36 03 025	50714
32	25	16	36 03 032	50715
40	32	16	36 03 040	50716
50	40	16	36 03 050	50717
63	50	16	36 03 063	50718
75	65	16	36 03 075	50719
90	80	16	36 03 090	50720
110	100	16	36 03 110	50721

L	Z	E
17	9	21
21	11	26
26	14	32
31	17	40
36	21	49
41	27	62
51	33	77
43	41	90
50	48	108
60	61	131

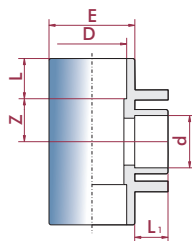
CP. 04. SFG - PVC-C TEE

90° reducing tee

- Female solvent socket
- Metric series

Té 90° reducida

- Encolar hembra
- Serie métrica



D x d	DN	PN	REF.	CODE
20-16	15-10	16	36 04 020	50722
25-20	20-15	16	36 04 025	50723
25-16	20-10	16	36 04 026	50724
32-25	25-20	16	36 04 032	50725
32-20	25-15	16	36 04 033	50726
40-32	32-25	16	36 04 040	50727
50-40	40-32	16	36 04 050	50728
63-50	50-40	16	36 04 063	50729
63-25	50-20	16	36 04 066	50730
75-40	65-32	16	36 04 077	50731
90-50	80-40	16	36 04 092	50732
110-63	100-50	16	36 04 112	50733

L	L ₁	Z	E
21	18	11	26
26	21	14	32
26	18	14	32
31	26	17	40
31	22	17	40
35	31	22	49
41	36	27	62
48	42	36	77
48	26	36	77
43	36	41	90
50	42	48	108
60	38	61	131

PVC-C SOCKETS
MANGUITOS PVC-C

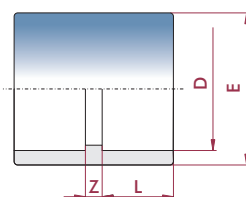
CP. 05. SF - PVC-C SOCKET

Socket

- Female solvent socket
- Metric series

Manguito unión

- Encolar hembra
- Serie métrica



D	DN	PN	REF.	CODE
16	10	16	36 05 016	50734
20	15	16	36 05 020	50735
25	20	16	36 05 025	50736
32	25	16	36 05 032	50737
40	32	16	36 05 040	50738
50	40	16	36 05 050	50739
63	50	16	36 05 063	50740
75	65	16	36 05 075	50741
90	80	16	36 05 090	50742
110	100	16	36 05 110	50743

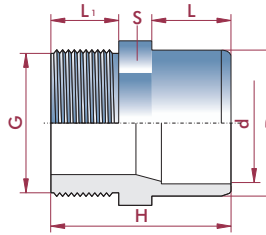
L	Z	E
17	3	21
21	3	26
26	3	32
31	3	40
36	3	49
42	3	62
51	3	77
43	4	90
50	9	108
60	6	131

CP. 15. SFMT - PVC-C ADAPTOR NIPPLE
Adaptor nipple

- Female solvent socket & BSP male thread
- Metric series

Machón mixto

- Encolar hembra y roscar macho BSP
- Serie métrica



D - d x G	DN	PN	REF.	CODE
32-25 x 3/4"	12	10	36 15 433	50776
32-20 x 3/4"	15	10	36 15 436	50777
32-20 x 1/2"	12	10	36 15 437	50778
32-16 x 1/2"	20	10	36 15 439	50779
40-32 x 1"	15	10	36 15 441	50780
40-25 x 1"	12	10	36 15 444	50781
50-40 x 1 1/4"	25	10	36 15 451	50782
50-32 x 1 1/4"	20	10	36 15 454	50783
63-50 x 1 1/2"	15	10	36 15 464	50784
63-40 x 1 1/2"	32	10	36 15 467	50785
75-63 x 2"	25	10	36 15 476	50786
75-50 x 2"	20	10	36 15 479	50787

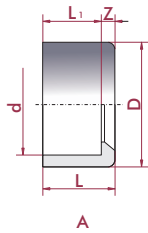
L	L ₁	H	S
31	17	61	36
31	17	61	36
31	20	57	36
31	20	57	36
36	19	68	46
36	19	68	46
42	21	78	55
42	21	78	44
51	24	91	65
51	24	91	65
44	31	93	78
44	31	93	78

PVC-C REDUCERS
REDUCCIONES PVC-C
CP. 06. SMF - PVC-C REDUCTION
Reducing bush

- Male x female solvent socket
- Metric series

Casquillo reducción

- Encolar macho x hembra
- Serie métrica



D x d	DN	PN	REF.	CODE
20-16	10	16	06 06 020	50744
25-20	15	16	36 06 025	50745
25-16	10	16	36 06 026	50746
32-25	20	16	36 06 032	50747
32-20	20	16	06 06 033	50748
40-32	25	16	06 06 040	50749
40-25	20	16	36 06 041	50750
50-40	32	16	36 06 050	50751
50-32	25	16	36 06 051	50752
63-50	40	16	36 06 063	50753
63-40	32	16	36 06 064	50754
75-63	50	16	36 06 075	50755
75-50	40	16	36 06 076	50756
90-75	65	16	36 06 090	50757
90-63	50	16	36 06 091	50758
110-90	80	16	36 06 110	50759
110-75	65	16	36 06 111	50760

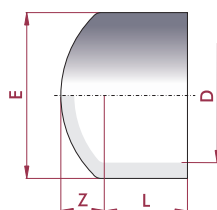
L	L ₁	Z
21	17	4
26	21	5
26	17	9
31	26	5
31	21	10
36	26	10
42	36	6
42	31	11
52	36	16
43	37	6
43	30	13
50	43	7
60	50	10
60	43	17

PVC-C CAPS
TAPONES PVC-C
CP. 07. SF - PVC-C CAP
Cap

- Female solvent socket
- Metric series

Tapón

- Encolar hembra
- Serie métrica



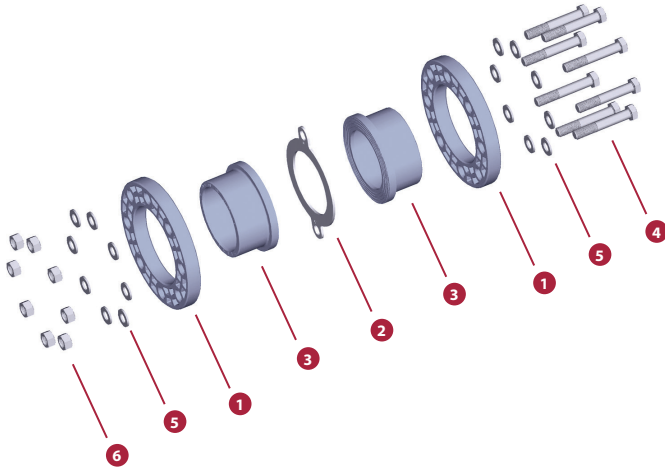
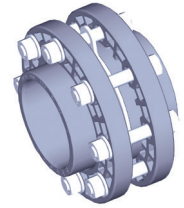
D	DN	PN	REF.	CODE
16	10	16	36 07 016	50761
20	15	16	36 07 020	50762
25	20	16	36 07 025	50763
32	25	16	36 07 032	50764
40	32	16	36 07 040	50765
50	40	16	36 07 050	50766
63	50	16	36 07 063	50767
75	63	16	36 07 075	50768
90	80	16	36 07 090	50769
110	100	16	36 07 110	50800

L	Z	E
17	5	21
26	7	31
31	9	40
36	10	50
51	15	77
43	20	89
50	25	105
60	30	130

PVC-C LOOSE FLANGES BRIDAS LOCAS PVC-C

• EN 1452 Flange System.
• We recommend to follow flange installation instructions carefully to avoid any unnecessary tensions.

• Sistema de bridas EN 1452.
• Recomendamos seguir exactamente las normas de montaje de bridas con objeto de evitar tensiones innecesarias.



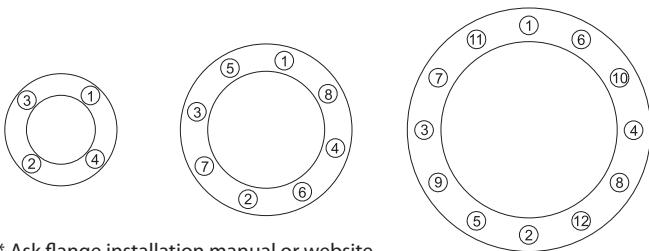
D	2		1	3
	EVA	EPDM	PVC-C	PVC-C
20	✓	✓	✓	✓
25	✓	✓	✓	✓
32	✓	✓	✓	✓
40	✓	✓	✓	✓
50	✓	✓	✓	✓
63	✓	✓	✓	✓
75	✓	✓	✓	✓
90	✓	✓	✓	✓
110	✓	✓	✓	✓

FIG.	Parts	Despiece	Material
1	Flange	Brida	PVC-C
2	Flat gasket	Junta plana	EVA / EPDM
3	Flange adaptor **	Manguito portabridas **	PVC-C
4	Screw DIN 931	Tornillo DIN 931	5.6 Zinc plated steel / A2 Stainless steel *
5	Washer DIN 125-A	Arandela DIN 125-A	
6	Nut DIN 934	Tuerca DIN 934	

* On order A4 Stainless steel
Bajo pedido acero inoxidable A4

** Flange adaptor available in BS and ASTM solvent socket standards
Manguito portabridas disponible en standards BS y ASTM

TIGHTENING SEQUENCE ORDEN DE APRIETE



* Ask flange installation manual or website
Consultar manual instalación bridas o website

TIGHTENING MAXIMUM TORQUE MÁXIMO PAR DE APRIETE

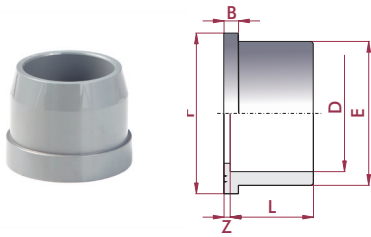
D	DN	inch	N · m	Kgf · cm	inch · lbs
63-75	65	2 1/2"	25	255	221
90	80	3"	25	255	221
110	100	4"	30	306	265

CP. 10. SF - PVC-C ADAPTOR FLANGE
Flange adaptor (sub flange)

- Female solvent socket
- Metric series

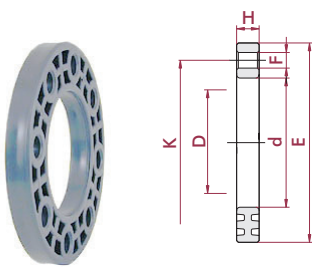
Manguito portabridas

- Encolar hembra
- Serie métrica



D	DN	PN	REF.	CODE
20	15	16	36 10 020	56810
25	20	16	36 10 025	56811
32	25	16	36 10 032	56812
40	32	16	36 10 040	50770
50	40	16	36 10 050	50771
63	50	16	36 10 063	50772
75	63	16	36 10 075	50773
90	80	16	36 10 090	50774
110	100	16	36 10 110	50775

L	Z	B	E	F
21	3	5	27	30
26	3	6	36	39
21	3	7	41	50
26	5	8	50	61
31	5	8	61	73
37	5	9	76	90
43	6	10	90	106
50	5	11	108	125
60	5	12	131	145

CP. 11. FLG - PVC-C FLANGE
Flange
Brida


D	DN	PN	REF.	CODE
20	15		36 11 020	56245
25	20		36 11 025	56246
32	25		36 11 032	56247
40	32		36 11 040	56248
50	40		36 11 050	56249
63	50		36 11 063	56250
75	65		36 11 075	57714
90	80		36 11 090	57715
110	100		36 11 110	57716

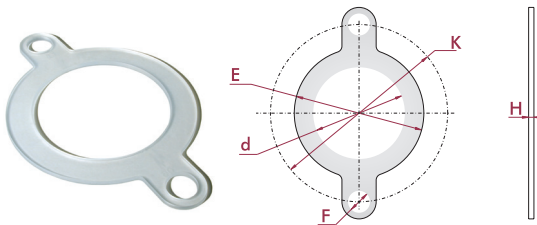
d	E	H	K	F
28	95	12	65	14 x 4
34	105	13	75	14 x 4
42	115	15	85	14 x 4
51	140	16	100	18 x 4
62	150	17	110	18 x 4
78	165	18	125	18 x 4
92	185	22	145	18 x 4
110	200	23	160	18 x 8
133	220	24	180	18 x 8

EVA. 14 - FLAT GASKET
EVA flat gasket

- Metric series

Junta plana EVA

- Serie métrica



D	DN	REF.	CODE
20	15	05 14 020	07700
25	20	05 14 025	07701
32	25	05 14 032	07702
40	32	05 14 040	07703
50	40	05 14 050	02061
63	50	05 14 063	02062
75	65	05 14 075	02063
90	80	05 14 090	02064
110	100	05 14 110	02065

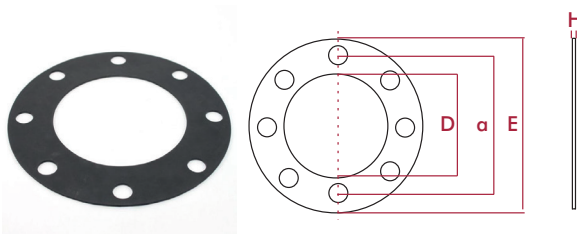
d	E	H	K	F
20	32	2	65	14
25	39	2	75	14
32	48	2	85	14
40	59	2	100	18
50	71	3	110	18
63	88	3	125	18
75	104	3	145	18
90	123	3	160	18
110	148	4	180	18

PDM. 14 - FLAT GASKET
EPDM flat gasket

- Metric series

Junta plana EPDM

- Serie métrica




D	DN	REF.	CODE
20	15	05 14 020 EPDM *	66933
25	20	05 14 025 EPDM *	66934
32	25	05 14 032 EPDM *	66935
40	32	05 14 040 EPDM *	66936
50	40	05 14 050 EPDM *	66937
63	50	05 14 063 EPDM *	66938
75	65	05 14 075 EPDM *	66939
90	80	05 14 090 EPDM *	66340
110	100	05 14 110 EPDM *	66941

H	E	a	F
2,5	93	34	16 x 4
2,5	103	41	19 x 4
2,5	115	50	22 x 4
2,5	140	100	20 x 4
2,5	150	110	20 x 4
2,5	165	125	20 x 4
2,5	185	145	20 x 4
2,5	200	160	20 x 8
2,5	220	180	20 x 8

BOLTS TORNILLERÍA

Required bolt size depending on each application of the flange:
butterfly valve, coupling or swing check valve.


Modelo y tamaño necesario de tornillería para cada una de las aplicaciones
de la brida: válvula de mariposa, enlace o válvula de clapeta.



Flange set (loose flange)
Enlace bridas (brida loca)


Industrial ball valve with loose flanges
Válvula de bola Industrial con bridas locas

FLANGE SIZE	SCREW SIZE	UNITS	CODE	CODE
			5.6 zinc plated steel	A2 stainless steel
D20, D25	M12 x 60	4	16061	60515
D32	M12 x 60	4	16061	60515
D40	M12 x 60	4	16061	60515
D50	M16 x 70	4	02437	60516
D63	M16 x 70	4	02437	60516
D75	M16 x 80	4	02438	60517
D90	M16 x 90	8	02439	60518
D110	M16 x 90	8	02439	60518




Flange set (fix flange)
Enlace bridas (brida fija)

FLANGE SIZE	SCREW SIZE	UNITS	CODE	CODE
			5.6 zinc plated steel	A2 stainless steel
D20, D25	M 12 x 60	4	60515	16061
D32	M 12 x 60	4	60515	16061
D40	M 16 x 70	4	60516	02437
D50	M 16 x 70	4	60516	02437
D63	M 16 x 70	4	60516	02437
D75	M 16 x 70	4	60516	02437
D90	M 16 x 70	8	60516	02437
D110	M 16 x 80	8	60517	02438




Butterfly valve (loose flange)
Válvula mariposa (brida loca)

FLANGE SIZE	SCREW SIZE	UNITS	CODE	CODE
			5.6 zinc plated steel	A2 stainless steel
D63	M 16 x 120	4	02440	60519
D75	M 16 x 140	4	02442	60526
D90	M 16 x 150	8	02443	60527
D110	M 16 x 160	8	02444	60528



Butterfly valve (fix flange)
Válvula mariposa (brida fija)

FLANGE SIZE	SCREW SIZE	UNITS	CODE	CODE
			5.6 zinc plated steel	A2 stainless steel
D63	M 16 x 120	4	02440	60519
D75	M 16 x 120	4	02440	60519
D90	M 16 x 130	8	02441	60525
D110	M 16 x 130	8	02441	60625



Swing check valve (loose flange)
Válvula de clapeta (brida loca)

FLANGE SIZE	SCREW SIZE	UNITS	CODE	CODE
			5.6 zinc plated steel	A2 stainless steel
D75	M 16 x 120	4	02440	60519
D90	M 16 x 120	8	02440	60519
D110	M 16 x 120	8	02440	60519

* Valid for Industrial, Standard and Classic Series

* Válido para Serie Industrial, Standard y Classic

CP. 60. SF - PVC-C UNION

Union

- Female solvent socket
- Metric series

Enlace 3 piezas

- Encolar hembra
- Serie métrica



D	DN	PN	REF.	CODE
20	15	16	36 50 020	69610
25	20	16	36 50 025	69611
32	25	16	36 50 032	69612
40	32	16	36 50 040	69613
50	40	16	36 50 050	69614
63	50	16	36 50 063	69615

SOLVENT CEMENT

ADHESIVOS

ATTENTION

- Carry out an accurate turnover of the stock as the solvent cement can lose the original characteristics after 12 months of its manufacture.
- Stock in a dry and fresh place.
- Please, read the instructions of use.
- Different solvent cements for PVC-U and PVC-C (read the description).
- If you want to read the solvent socket recommendations, please refer to Pipe installation Section

ATENCIÓN

- Realizar una correcta rotación del stock ya que el adhesivo puede perder sus características originales a partir de los 12 meses de su fabricación.
- Almacenar en un lugar seco y fresco.
- Ver las normas de utilización del envase.
- Adhesivos diferenciados para PVC-U y PVC-C (ver descripción).
- Para ver las recomendaciones de instalación con adhesivo, consulte la Sección de Instalación de tubería.

Average joints for 1.000 cc of solvent cement
Nº aproximado de encoladuras efectuadas con 1.000 cc de adhesivo

Ø of pipe Ø de tubo	16	20	25	32	40	50	63	75	90	110	125	140	160	200	225	250	315	400
Nº of joints Nº de encoladuras	390	375	300	250	200	110	80	55	40	25	22	18	11	7	5	4	3	2

CP. 90. SCH - PVC-C SOLVENT CEMENT

HT-120 solvent cement PVC-C

Adhesivo HT-120 PVC-C



Size Medida	REF.	CODE
Can with paint brush Bote con pincel	500 cc	36 90 051
		52708

UP. 90. SCH - PVC-C SOLVENT CEMENT

HCR-36 solvent cement PVC-C & PVC-U

Adhesivo HCR-36 PVC-C & PVC-U

- High chemical resistance

- Alta resistencia química



Size Medida	REF.	CODE
Can with paint brush Bote con pincel	500 cc	36 90 051
		52708

- Sulphuric acid: concentrations > 70%
- Hydrochloric acid: concentrations > 25%
- Nitric acid: concentrations > 20%
- Lyes (caustic soda): concentrations > 35%
- Fluoric acid: any concentration
- Sodium hypochlorite: active chlorine content > 7.5%

PVC-C VALVES

METRIC SERIES

BALL VALVES
*VÁLVULAS DE BOLA***01**

PAG. 560

CHECK VALVES
*VÁLVULAS ANTI-RETORNO***02**

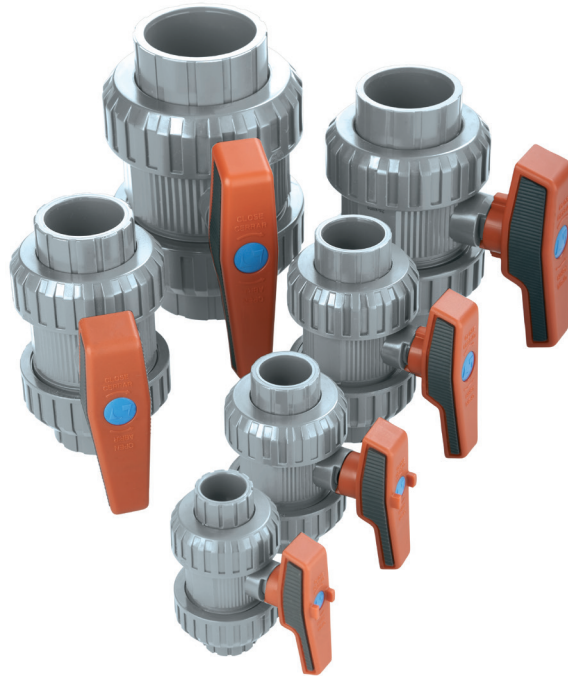
PAG. 577

BUTTERFLY VALVES
*VÁLVULAS DE MARIPOSA***03**

PAG. 587

PVC-C BALL VALVES - [STD] SERIES

VÁLVULAS DE BOLA PVC-C - SERIE [STD]



Sizes	Solvent cement D16 - D110 (DN10-DN100) Threaded 3/8" - 4"	
Standard end connections	Solvent socket - Metric, ASTM, British standard Threaded - BSP, NPT Butt welding - SDR11 Compression - Metric, IPS, CTS	EN ISO 1452, EN ISO 15493, BS 4346-1, ASTM D 2467 ISO 228-1, ASTM D 2464
Working pressure	@ 20°C (73°F) D16 - D63 (3/8" - 2"): PN 16 (240 psi) D75 - D110 (2 1/2" - 4"): PN 10 (150 psi)	
Materials	O-rings: EPDM Perox. / FPM	Ball seats: HDPE / PTFE
Characteristics	<ul style="list-style-type: none"> • Threaded seal-carrier for upstream maintenance without emptying the system. • Handle built-in tool for easy adjustment of the threaded seal-carrier (and ball torque). • "Antiblock" system that avoids ball blockage. • 100% factory tested. • Minimal pressure drop. • Low operating torque. • Resistance to many inorganic chemicals. • Excellent flow characteristics. 	<ul style="list-style-type: none"> • Portajuntas roscado para el mantenimiento de la válvula sin necesidad de vaciar el sistema. • Llave incorporada en la maneta para ajuste del portajuntas roscado (ajuste del par). • Sistema "Antiblock" que evita el bloqueo de la bola. • Probadas al 100% en fábrica. • Mínima pérdida de carga. • Bajo par de maniobra de apertura y cierre. • Resistencia a múltiples sustancias químicas inorgánicas. • Excelentes características de conducción.
Certifications / Regulations	Ball valve design regulation - EN ISO 16135	

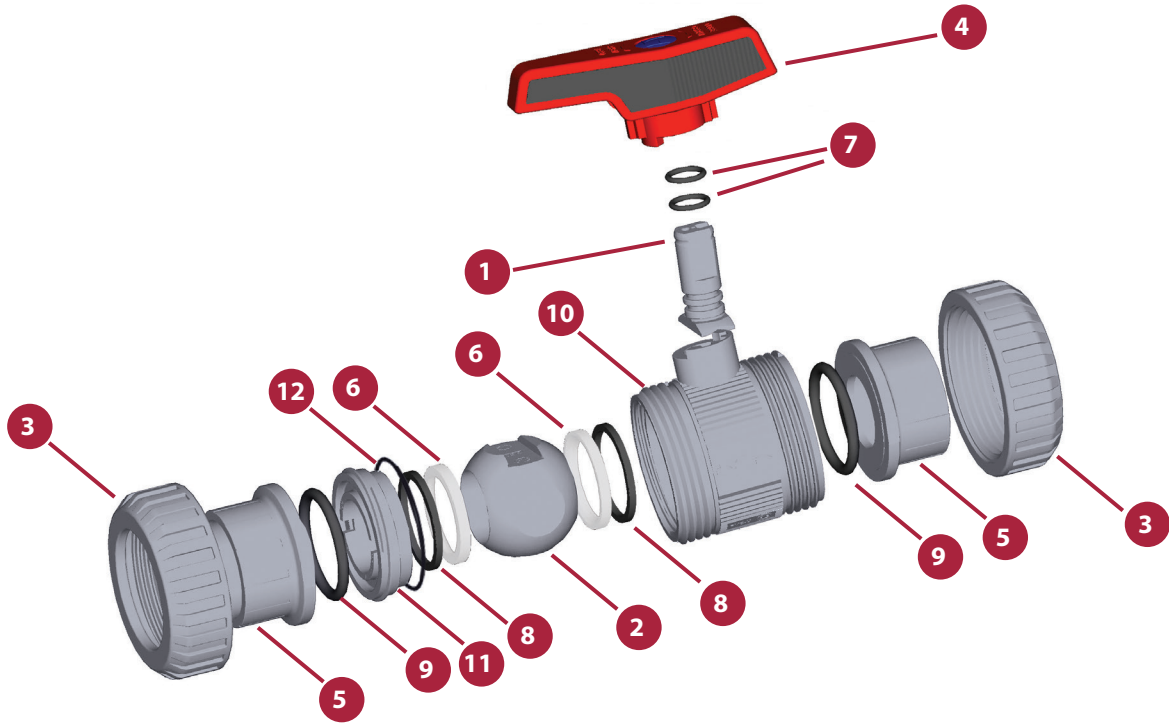
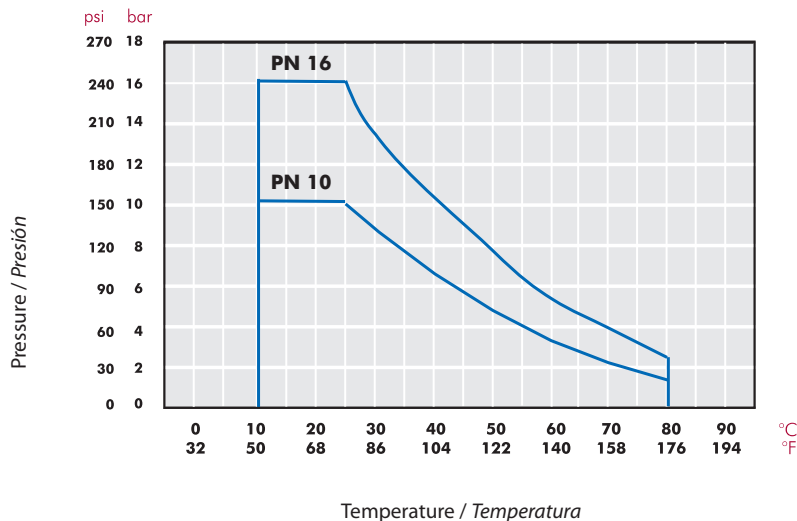


FIG.	Parts	Despiece	Material
1	Shaft	Eje	Corzan® PVC-C
2	Ball	Bola	Corzan® PVC-C
3	Union nut	Tuerca	Corzan® PVC-C
4	Handle	Conjunto maneta	PP + TPE
5	End connector	Manguito enlace	Corzan® PVC-C
6	Ball seat	Asiento bola	PTFE
7	Shaft o-ring	Junta eje	EPDM Perox. / FPM
8	Dampener seal	Junta amortiguación	EPDM Perox. / FPM
9	End connector o-ring	Junta manguito	EPDM Perox. / FPM
10	Body	Cuerpo	Corzan® PVC-C
11	Seal-carrier	Portajuntas	Corzan® PVC-C
12	Bidy o-ring	Junta cuerpo	EPDM Perox. / FPM

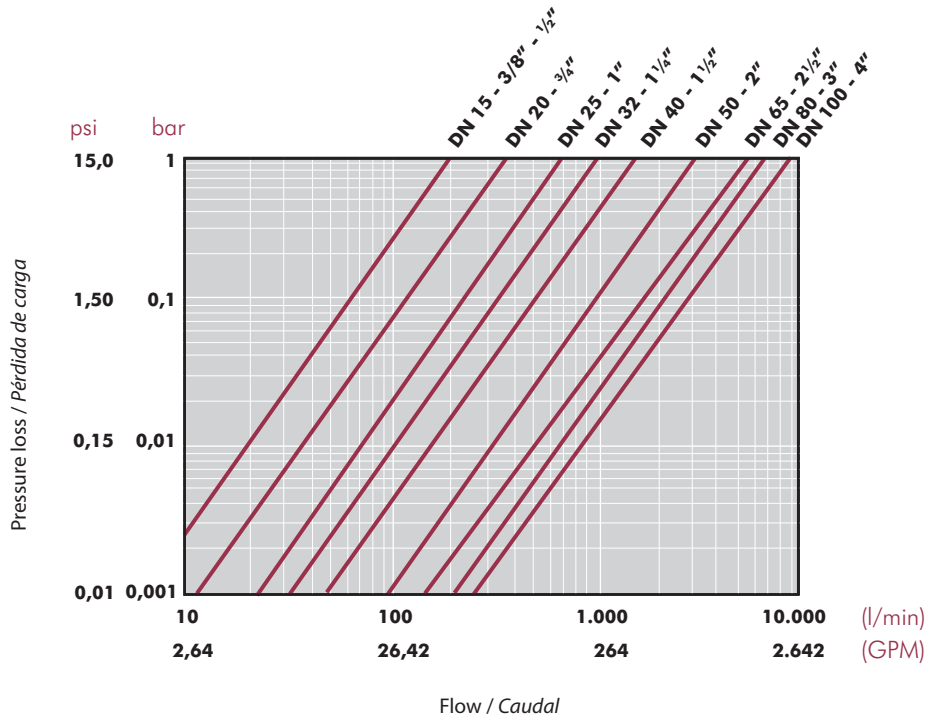
PRESSURE / TEMPERATURE GRAPH
DIAGRAMA PRESIÓN / TEMPERATURA



Life: 25 years
 Hydrostatic maximum pressure a component may withstand in continuous service (without overpressure)

Vida útil: 25 años
 Presión hidrostática máxima que un componente es capaz de soportar en servicio continuo (sin sobrepresión)

PRESSURE LOSS DIAGRAM
DIAGRAMA DE PÉRDIDAS DE CARGA



RELATIVE FLOW

FLUJO RELATIVO

D	16-3/8"	20-1/2"	25-3/4"	32-1"	40-1 1/4"	50-1 1/2"	63-2"	75-2 1/2"	90-3"	110-4"
DN	10	15	20	25	32	40	50	65	80	100
Kv ₁₀₀	75	190	380	690	980	1.600	3.000	5.500	6.800	8900
Cv	5,3	13,3	26,6	48,3	68,6	112	210,1	385,2	476,2	623,2

$Cv = Kv_{100} / 14,28$
 Kv_{100} (l/min, $\Delta p = 1$ bar)
 Cv (GPM, $\Delta p = 1$ psi)

TORQUE GRAPH

DIAGRAMA DE PAR

D	16-3/8"	20-1/2"	25-3/4"	32-1"	40-1 1/4"	50-1 1/2"	63-2"	75-2 1/2"	90-3"	110-4"
DN	10	15	20	25	32	40	50	65	80	100
Nm	1	1	2	3,5	3,5	5	15	25	45	60
in/lb	8,9	8,9	17,7	31	31	44,3	132,8	221,3	398,3	531

Operating torque values at rated pressure (PN) and 20 °C in as new direct from the factory condition. Installation and operating conditions (pressure and temperature) will affect these values. The actuator that is required for an automatic operation must be calculated according to some safety factors that were determined in life tests carried out in the factory.

Los valores de par de giro se determinan a presión nominal (PN) y a 20 °C, en condiciones de salida de fábrica. Las condiciones de instalación y operación (presión y temperatura) afectarán a estos valores. El actuador requerido para automatizar el giro debe ser calculado teniendo en cuenta ciertos coeficientes de seguridad que han sido determinados en pruebas de fatiga realizadas en fábrica.

ASSEMBLY INSTRUCTIONS

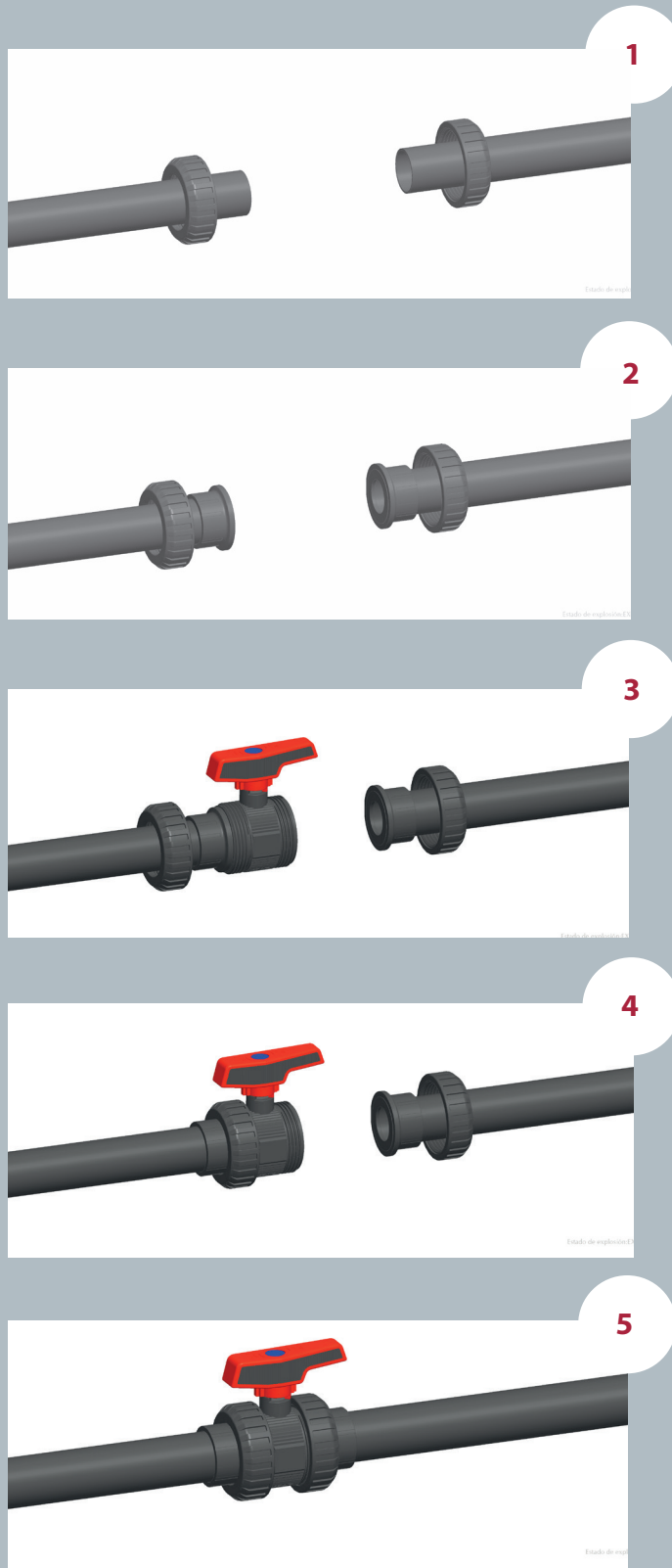
Solvent socket or threaded unions

Loosen the valve union nuts (3) and separate these and the end connectors (5) from the valve body. Pass the pipe through the nuts and then place the bushes over the end of the pipe. The socket unions should be glued onto the pipe using a PVC-U or PVC-C adhesive and pressure should not be applied to the system until a drying period of at least 1 hour per bar of working pressure has elapsed. In the case of threaded unions, PTFE tape should be applied to the male threads. The pipes can now be attached to the valve by hand tightening down the nuts.

INSTRUCCIONES DE MONTAJE

Uniones encoladas o roscadas

Afloje las tuercas (3) de la válvula y sepárelas de los manguitos (5). Introduzca las tuercas en los tubos y a continuación fije los manguitos en los extremos del tubo. Las uniones encoladas se realizarán con un adhesivo para tubos de PVC-U o PVC-C rígido y no se aplicará presión hasta transcurridas al menos 1 hora por bar. En las uniones roscadas se colocará cinta de PTFE en las roscas macho. A continuación ya podrá colocarse la válvula entre los manguitos y apretar a mano las tuercas sobre la válvula.



SEAL-CARRIER

Industrial Series - Threaded seal-carrier

Industrial Series feature a threaded seal-carrier instead of the push-fit system. The threaded seal-carrier allows for upstream maintenance without emptying the system.

A closed valve with a push-fit seal-carrier will not withstand system pressure: when the nut is disassembled, the seal-carrier gets free.

On the other side, a valve with a threaded seal-carrier will support the system pressure thanks to the thread.

With Cepex valves, it is possible to disassemble the valve (only upstream) to carry out installation maintenance.

PORTAJUNTAS

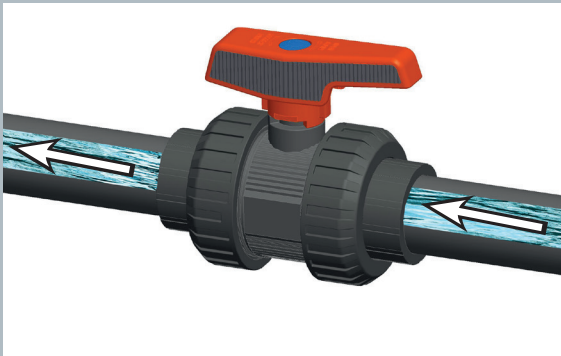
Serie Industrial - Portajuntas roscado

La Serie Industrial, al llevar el portajuntas roscado en vez de estar insertado a presión, permite el mantenimiento aguas arriba sin necesidad de vaciar el sistema.

Con un portajuntas a presión, la presión del sistema (con la válvula cerrada) hace que éste salte al intentar desmontar la válvula.

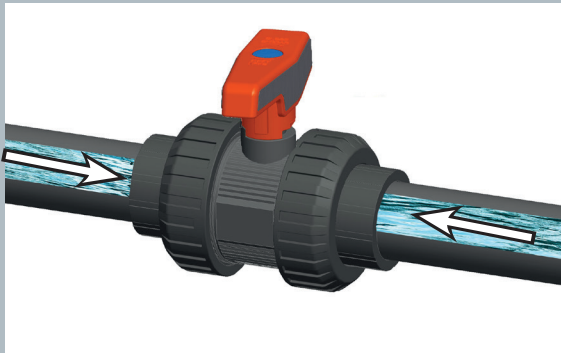
Con un portajuntas roscado, al desmontar la válvula, la rosca aguanta toda la presión del sistema sin ceder.

Ahora podemos desmontar la válvula (en su parte aguas arriba) para realizar el mantenimiento de la instalación.



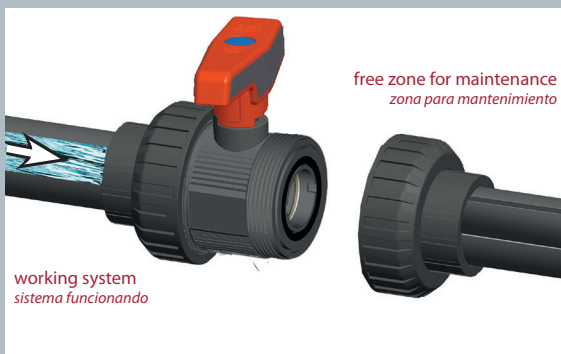
Fluid comes from the pump and goes through the open valve.

El fluido sale de la bomba y pasa por la válvula abierta.



When the valve is closed, fluid exerts pressure in both directions.

Cerrando la válvula, el fluido ejerce presión en ambos lados.



With the threaded seal-carrier, we are able to isolate the pump zone for maintenance. The thread is supporting the pressure of the system.

Con el portajuntas roscado, podemos aislar la zona de la bomba para su mantenimiento. La rosca aguanta la presión del sistema.

ADJUSTMENT AND MAINTENANCE OF THE VALVES

Provided that there is no pressure in the circuit, with the valve closed maintenance can be carried out on any component in the valve line.

The following steps can be carried out while maintaining system pressure.

The valve is factory adjusted to ensure correct operation over long periods of time. Nevertheless, it is possible to readjust the clamping force on the ball if it is required. This operation is carried out by using the handle (4) which is attached to the bottom of the valve.

To carry out this operation it is first necessary to disassemble the two nuts and remove the valve. Introduce the handle (4) into the slot which forms part of the seal-carrier (13) and turn the adjusting tool either (a) clockwise to loosen the seal or (b) anticlockwise to tighten the seal.

When the time comes to replace any part of the valve, this can be easily done. First, use the adjusting tool to turn the seal-carrier (13) clockwise until it comes free. At this stage, any of the body O-rings (6,8,9) or the ball (2) can be replaced. If it is necessary to change the shaft (1) or its O-rings (7), then the ball should be removed. Pressing down will then free the shaft. Please beware that excessively tightening the seal holder will increase the valve actuating torque which in turn may cause problems with motorized actuators.

When reassembling the valve, lubricate the seals with vaseline or silicone. Never use greases or mineral oils.

REGULACIÓN Y MANTENIMIENTO DE LA VÁLVULA

Es posible realizar el mantenimiento de cualquiera de los extremos de la línea conectados a la válvula manteniendo la instalación bajo presión. Simplemente cerrando la válvula, ésta actuará como tapón en cualquiera de los dos sentidos. Las operaciones a continuación descritas se realizarán siempre sin fluido en la línea.

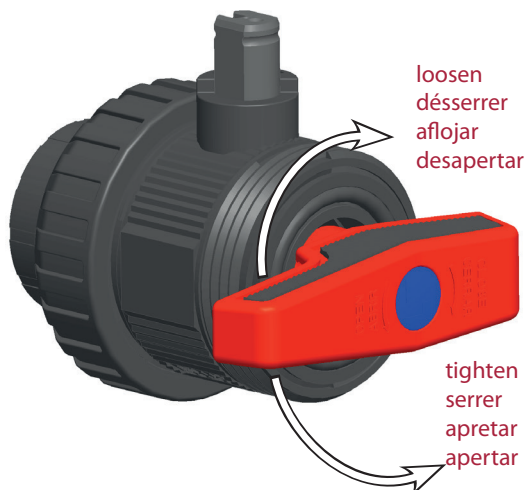
La válvula está ajustada en fábrica para un correcto y prolongado funcionamiento. No obstante, es posible reajustar la fuerza de apriete de la junta de cierre sobre la bola cuando las condiciones de uso lo requieran. Esta operación se llevará a cabo con ayuda de la maneta (4) que se adjunta en la parte inferior de la válvula.

Para ello desmonte las tuercas (3) de la válvula y extráigala de su alojamiento. Introduzca la maneta (4) en la ranura que a tal efecto tiene el portajuntas (13) y gírela en sentido antihorario para apretar la junta y horario para aflojarla.

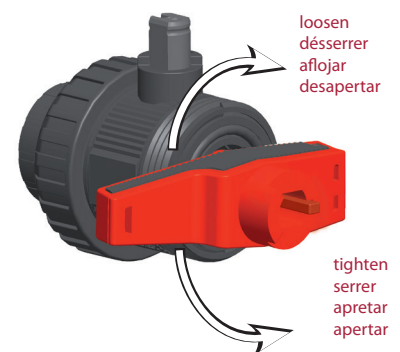
En caso se desgaste de algún componente de la válvula, podrá ser sustituido desmontando el conjunto del cuerpo de la válvula. Para ello proceda igual que con la regulación pero gire en sentido horario hasta que el portajuntas quede libre. Llegado este punto podrá sustituir cualquiera de las juntas del cuerpo (6,8,9) o la bola (2). Si fuera necesario sustituir el eje (1) o sus juntas (7) debería extraer la bola. Nótese que un apriete excesivo sobre el portajuntas puede influir en el par de accionamiento lo que puede perjudicar a los actuadores de válvulas motorizadas.

El montaje se realiza siguiendo el proceso inverso pero teniendo siempre la precaución de lubricar las juntas con vaselina neutra o silicona. No utilizar grasas o aceites minerales.

D32 (1") -
D110 (4")



D16 ($\frac{3}{8}$ ") -
D25 ($\frac{3}{4}$ ")



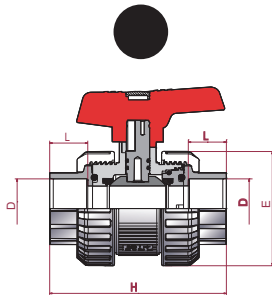
CP. 61ST. SF6 - PVC-C [STD] BALL VALVE

[STD] ball valve

- Corzan® PVC-C body
- Female solvent socket
- Metric series
- Ball seat in PTFE
- O-Rings in EPDM perox.
- Black dot

Válvula de bola [STD]

- Cuerpo en Corzan® PVC-C
- Encolar hembra
- Serie métrica
- Juntas asiento bola en PTFE
- Anillos tóricos en EPDM perox.
- Distintivo negro



D	DN	PN	REF.	CODE
16	10	16	36 61 016	59006
20	15	16	36 61 020	59007
25	20	16	36 61 025	59008
32	25	16	36 61 032	59009
40	32	16	36 61 040	59011
50	40	16	36 61 050	59012
63	50	16	36 61 063	59013
75	65	10	36 61 075	59014
90	80	10	36 61 090	59015
110	100	10	36 61 111	59016

L	H	E
13	87	50
16	87	50
19	101	61
22	122	70
26	135	81
31	149	96
38	174	118
44	216	146
51	256	176
63	359	228

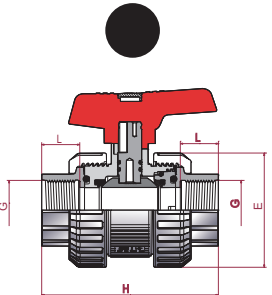
CP. 61ST. FT5 - PVC-C [STD] BALL VALVE

[STD] ball valve

- Corzan® PVC-C body
- BSP female thread
- Ball seat in PTFE
- O-Rings in EPDM perox.
- Black dot

Válvula de bola [STD]

- Cuerpo en Corzan® PVC-C
- Rosca hembra BSP
- Juntas asiento bola en PTFE
- Anillos tóricos en EPDM perox.
- Distintivo negro



G	DN	PN	REF.	CODE
3/8"	10	16	36 61 616	59029
1/2"	15	16	36 61 620	59030
3/4"	20	16	36 61 625	59032
1"	25	16	36 61 632	59034
1 1/4"	32	16	36 61 640	59035
1 1/2"	40	16	36 61 650	59036
2"	50	16	36 61 663	59037
2 1/2"	65	10	36 61 675	59038
3"	80	10	36 61 690	59040
4"	100	10	36 61 711	59042

L	H	E
13	87	50
16	87	50
19	101	61
22	122	70
26	135	81
31	149	96
38	174	118
44	216	146
51	256	176
63	359	228

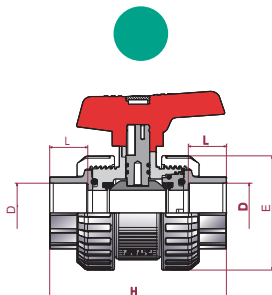
CP. 61ST. SF7 - PVC-C [STD] BALL VALVE

[STD] ball valve

- Corzan® PVC-C body
- Female solvent socket
- Metric series
- Ball seat in PTFE
- O-Rings in FPM
- Green dot

Válvula de bola [STD]

- Cuerpo en Corzan® PVC-C
- Encolar hembra
- Serie métrica
- Juntas asiento bola en PTFE
- Anillos tóricos en FPM
- Distintivo verde



D	DN	PN	REF.	CODE
16	10	16	36 61 016 VI	59017
20	15	16	36 61 020 VI	59018
25	20	16	36 61 025 VI	59019
32	25	16	36 61 032 VI	59020
40	32	16	36 61 040 VI	59021
50	40	16	36 61 050 VI	59022
63	50	16	36 61 063 VI	59024
75	65	10	36 61 075 VI	59025
90	80	10	36 61 090 VI	59027
110	100	10	36 61 111 VI	59028

L	H	E
13	87	50
16	87	50
19	101	61
22	122	70
26	135	81
31	149	96
38	174	118
44	216	146
51	256	176
63	359	228

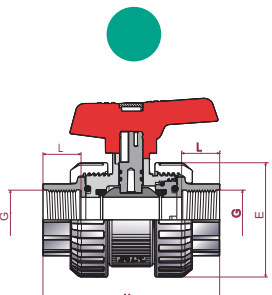
CP. 61ST. FT7 - PVC-C [STD] BALL VALVE

[STD] ball valve

- Corzan® PVC-C body
- BSP female thread
- Ball seat in PTFE
- O-Rings in FPM
- Green dot

Válvula de bola [STD]

- Cuerpo en Corzan® PVC-C
- Rosca hembra BSP
- Juntas asiento bola en PTFE
- Anillos tóricos en FPM
- Distintivo verde



G	DN	PN	REF.	CODE
3/8"	10	16	36 61 616 VI	59044
1/2"	15	16	36 61 620 VI	59045
3/4"	20	16	36 61 625 VI	59046
1"	25	16	36 61 632 VI	59047
1 1/4"	32	16	36 61 640 VI	59048
1 1/2"	40	16	36 61 650 VI	59049
2"	50	16	36 61 663 VI	59050
2 1/2"	65	10	36 61 675 VI	59052
3"	80	10	36 61 690 VI	59055
4"	100	10	36 61 711 VI	59056

L	H	E
13	87	50
16	87	50
19	101	61
22	122	70
26	135	81
31	149	96
38	174	118
44	216	146
51	256	176
63	359	228

PVC-C BALL VALVES - INDUSTRIAL SERIES

VÁLVULAS DE BOLA PVC-C - SERIE INDUSTRIAL



Sizes	Solvent cement D16 - D110 (DN10-DN100) Threaded 3/8" - 4"	
Standards	Solvent socket - Metric, British Standard, ASTM, JIS Threaded - BSP, NPT Flanges: ISO Compression - metric, IPS, CTS	EN ISO 1452, EN ISO 15493, BS 4346-1, ASTM D 2467, JIS K 6743 ISO 228-1, ASTM D 2464 EN 558-1
Working pressure	@ 20°C (73°F) D16 - D63 (3/8" - 2"): PN 16 (240 psi) D75 - D110 (2 1/2" - 4"): PN 10 (150 psi)	
Materials	O-rings: EPDM Perox. / FPM	Ball seats: PTFE
Characteristics	<ul style="list-style-type: none"> • "Antiblock" system that avoids ball blockage. • 100% factory tested. • Available in PVC-U or Corzan® PVC-C. • Threaded seal carrier. • It allows the disassembling of the valve while maintaining system pressure. • Union ends for easy installation and removal. • Good mechanical strength. • Resistance to many inorganic chemicals. • Excellent flow characteristics. 	<ul style="list-style-type: none"> • Sistema "Antiblock" que evita el bloqueo de la bola. • Probadas al 100% en fábrica. • Disponibles en PVC-U y Corzan® PVC-C. • Portajuntas roscado. • Permite el desmontaje de la válvula manteniendo la instalación bajo presión. • Manguitos de unión pensados para su fácil instalación y mantenimiento. • Buena resistencia mecánica. • Resistencia a múltiples sustancias químicas inorgánicas. • Excelentes características de conducción.
Certifications / regulations	Ball valve design regulation - EN ISO 16135 NSF National Sanitation Foundation (USA) Only products bearing the NSF Mark are certified NSF 61 1/2" thru 3" ASTM F1970	

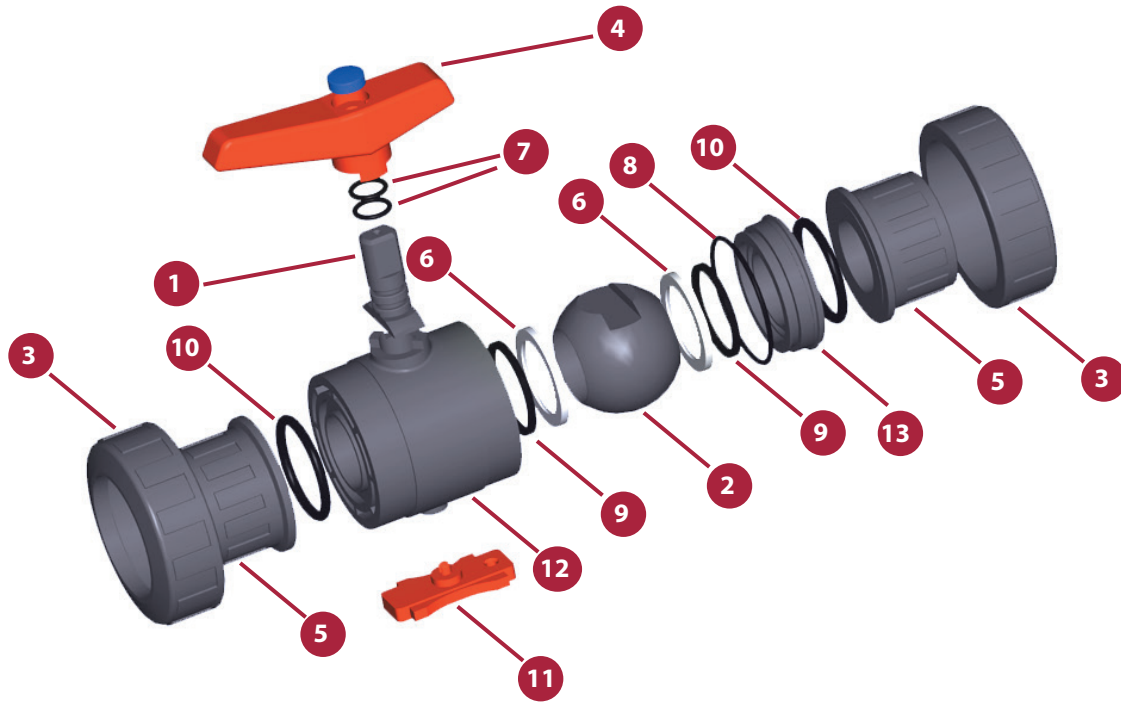
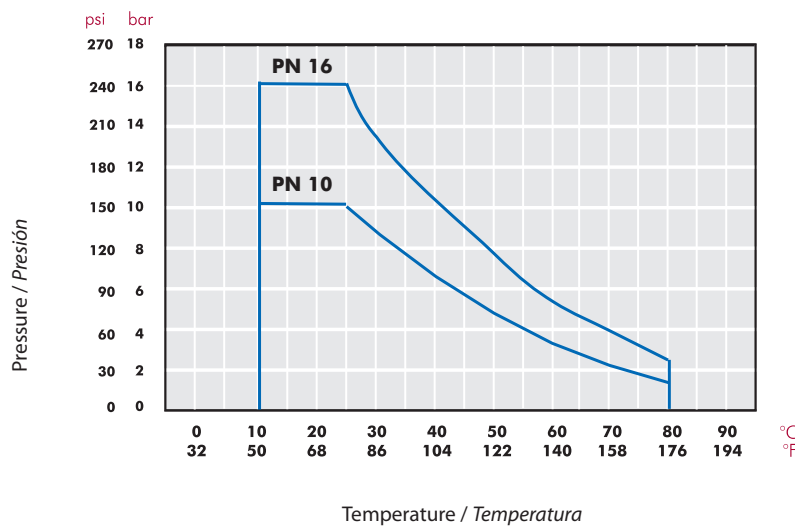


FIG.	Parts	Despiece	Material
1	Shaft	Eje	Corzan® PVC-C
2	Ball	Bola	Corzan® PVC-C
3	Union nut	Tuerca	Corzan® PVC-C
4	Handle	Conjunto maneta	PP
5	End connector	Manguito enlace	Corzan® PVC-C
6	Ball seat	Asiento bola	PTFE
7	Shaft o-ring	Junta eje	EPDM Perox. / FPM
8	Body o-ring	Junta cuerpo	EPDM Perox. / FPM
9	Dampener seal	Junta amortiguación	EPDM Perox. / FPM
10	End connector o-ring	Junta manguito	EPDM Perox. / FPM
11	Adjusting tool	Llave de regulación	ABS
12	Body	Cuerpo	Corzan® PVC-C
13	Seal-carrier	Portajuntas	Corzan® PVC-C

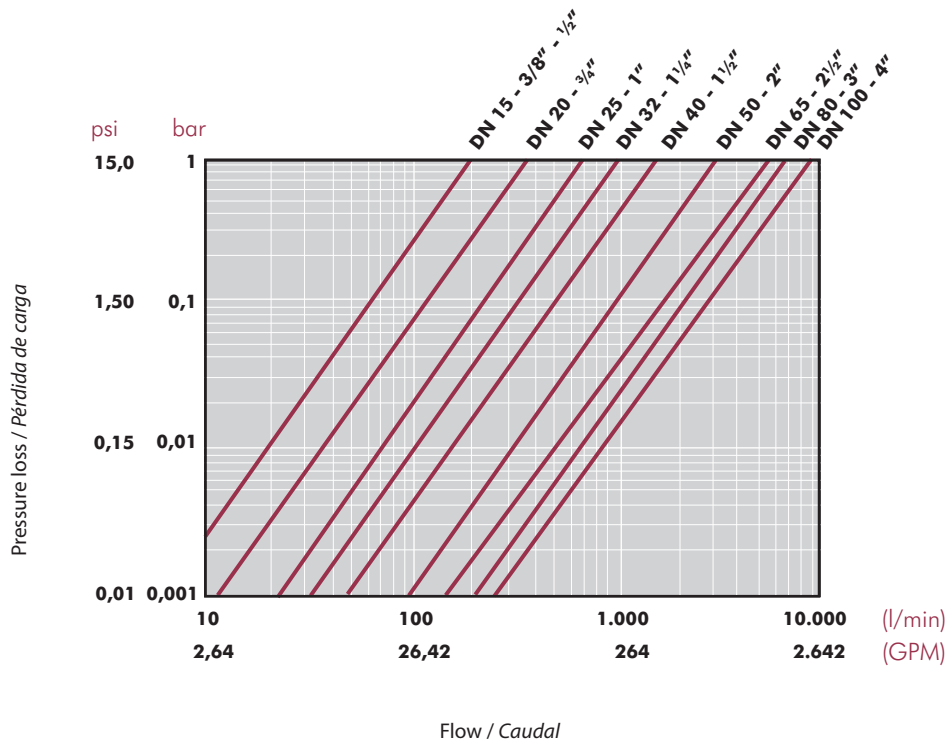
PRESSURE / TEMPERATURE GRAPH
DIAGRAMA PRESIÓN / TEMPERATURA



Life: 25 years
Hydrostatic maximum pressure a component may withstand in continuous service (without overpressure)

Vida útil: 25 años
Presión hidrostática máxima que un componente es capaz de soportar en servicio continuo (sin sobrepresión)

PRESSURE LOSS DIAGRAM
DIAGRAMA DE PÉRDIDAS DE CARGA



RELATIVE FLOW
FLUJO RELATIVO

D	16-3/8"	20-1/2"	25-3/4"	32-1"	40-1 1/4"	50-1 1/2"	63-2"	75-2 1/2"	90-3"	110-4"
DN	10	15	20	25	32	40	50	65	80	100
Kv ₁₀₀	75	190	380	690	980	1.600	3.000	5.500	6.800	8900
Cv	5,3	13,3	26,6	48,3	68,6	112	210,1	385,2	476,2	623,2

$Cv = Kv_{100} / 14,28$
 Kv_{100} (l/min, $\Delta p = 1$ bar)
 Cv (GPM, $\Delta p = 1$ psi)

TORQUE GRAPH
DIAGRAMA DE PAR

D	16-3/8"	20-1/2"	25-3/4"	32-1"	40-1 1/4"	50-1 1/2"	63-2"	75-2 1/2"	90-3"	110-4"
DN	10	15	20	25	32	40	50	65	80	100
Nm	1	1	2	3,5	3,5	5	15	25	45	60
in/lb	8,9	8,9	17,7	31	31	44,3	132,8	221,3	398,3	531

Operating torque values at rated pressure (PN) and 20 °C in as new direct from the factory condition. Installation and operating conditions (pressure and temperature) will affect these values. The actuator that is required for an automatic operation must be calculated according to some safety factors that were determined in life tests carried out in the factory.

Los valores de par de giro se determinan a presión nominal (PN) y a 20 °C, en condiciones de salida de fábrica. Las condiciones de instalación y operación (presión y temperatura) afectarán a estos valores. El actuador requerido para automatizar el giro debe ser calculado teniendo en cuenta ciertos coeficientes de seguridad que han sido determinados en pruebas de fatiga realizadas en fábrica.

ASSEMBLY INSTRUCTIONS

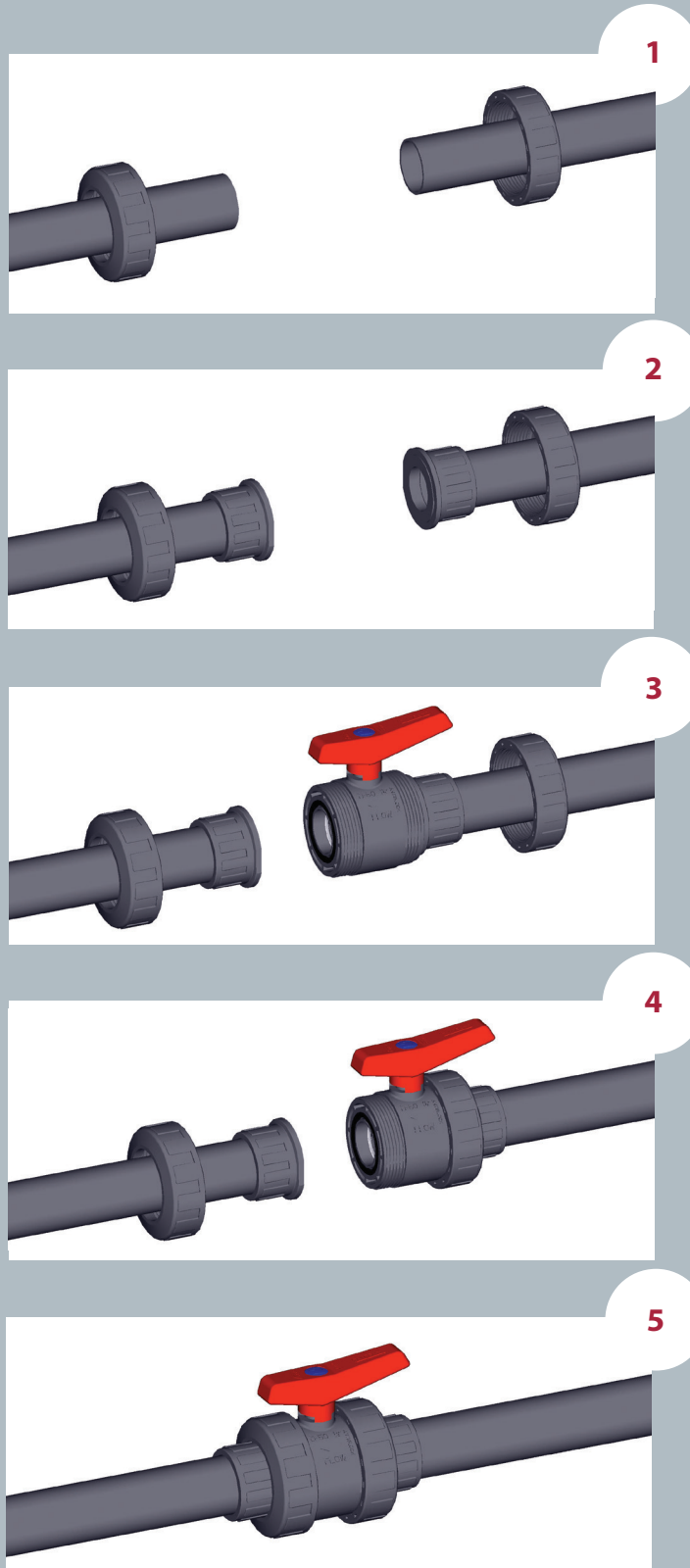
Solvent socket or threaded unions

Loosen the valve union nuts (3) and separate these and the end connectors (5) from the valve body. Pass the pipe through the nuts and then place the bushes over the end of the pipe. The socket unions should be glued onto the pipe using a PVC-U or PVC-C adhesive and pressure should not be applied to the system until a drying period of at least 1 hour per bar of working pressure has elapsed. In the case of threaded unions, PTFE tape should be applied to the male threads. The pipes can now be attached to the valve by hand tightening down the nuts.

INSTRUCCIONES DE MONTAJE

Uniones encoladas o roscadas

Afloje las tuercas (3) de la válvula y sepárelas de los manguitos (5). Introduzca las tuercas en los tubos y a continuación fije los manguitos en los extremos del tubo. Las uniones encoladas se realizarán con un adhesivo para tubos de PVC-U o PVC-C rígido y no se aplicará presión hasta transcurridas al menos 1 hora por bar. En las uniones roscadas se colocará cinta de PTFE en las roscas macho. A continuación ya podrá colocarse la válvula entre los manguitos y apretar a mano las tuercas sobre la válvula.



SEAL-CARRIER

Industrial Series - Threaded seal-carrier

Industrial Series feature a threaded seal-carrier instead of the push-fit system. The threaded seal-carrier allows for upstream maintenance without emptying the system.

A closed valve with a push-fit seal-carrier will not withstand system pressure: when the nut is disassembled, the seal-carrier gets free.

On the other side, a valve with a threaded seal-carrier will support the system pressure thanks to the thread.

With Cepex valves, it is possible to disassemble the valve (only upstream) to carry out installation maintenance.

PORTAJUNTAS

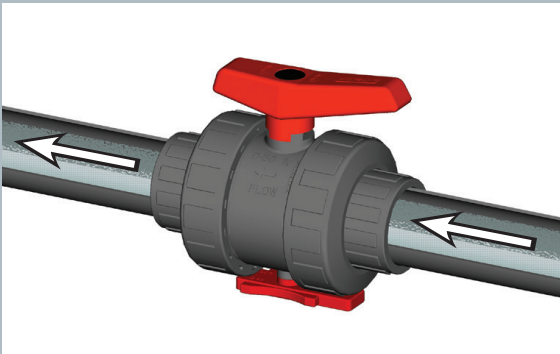
Serie Industrial - Portajuntas roscado

La Serie Industrial, al llevar el portajuntas roscado en vez de estar insertado a presión, permite el mantenimiento aguas arriba sin necesidad de vaciar el sistema.

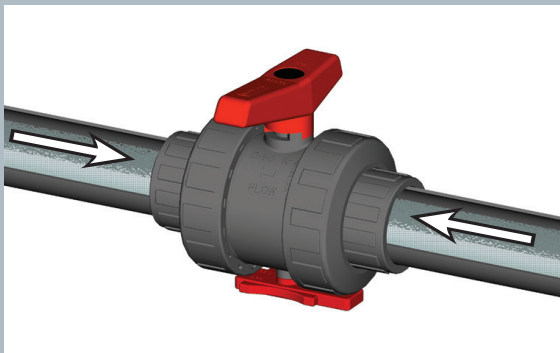
Con un portajuntas a presión, la presión del sistema (con la válvula cerrada) hace que éste salte al intentar desmontar la válvula.

Con un portajuntas roscado, al desmontar la válvula, la rosca aguanta toda la presión del sistema sin ceder.

Ahora podemos desmontar la válvula (en su parte aguas arriba) para realizar el mantenimiento de la instalación.



Fluid comes from the pump and goes through the open valve.
El fluido sale de la bomba y pasa por la válvula abierta.



When the valve is closed, fluid exerts pressure in both directions.

Cerrando la válvula, el fluido ejerce presión en ambos lados.



With the threaded seal-carrier, we are able to isolate the pump zone for maintenance. The thread is supporting the pressure of the system.

Con el portajuntas roscado, podemos aislar la zona de la bomba para su mantenimiento. La rosca aguanta la presión del sistema.

ADJUSTMENT AND MAINTENANCE OF THE VALVES

Provided that there is no pressure in the circuit, with the valve closed maintenance can be carried out on any component in the valve line.

The following steps can be carried out while maintaining system pressure.

The valve is factory adjusted to ensure correct operation over long periods of time. Nevertheless, it is possible to readjust the clamping force on the ball if it is required. This operation is carried out by using the adjusting tool (11) which is attached to the bottom of the valve.

To carry out this operation it is first necessary to disassemble the two nuts and remove the valve. Introduce the adjusting tool (11) into the slot which forms part of the seal-carrier (13) and turn the adjusting tool either (a) clockwise to loosen the seal or (b) anticlockwise to tighten the seal.

When the time comes to replace any part of the valve, this can be easily done. First, use the adjusting tool to turn the seal-carrier (13) clockwise until it comes free. At this stage, any of the body O-rings (6,8,9) or the ball (2) can be replaced. If it is necessary to change the shaft (1) or its O-rings (7), then the ball should be removed. It is also necessary to remove the handle (4) by loosening the screw which is found below the press-in logo in its centre. Pressing down will then free the shaft. Please beware that excessively tightening the seal holder will increase the valve actuating torque which in turn may cause problems with motorized actuators.

When reassembling the valve, lubricate the seals with vaseline or silicone. Never use greases or mineral oils.

REGULACIÓN Y MANTENIMIENTO DE LA VÁLVULA

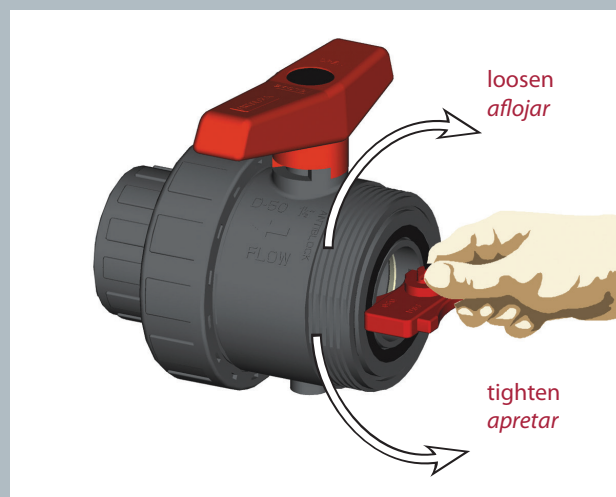
Es posible realizar el mantenimiento de cualquiera de los extremos de la línea conectados a la válvula manteniendo la instalación bajo presión. Simplemente cerrando la válvula, ésta actuará como tapón en cualquiera de los dos sentidos. Las operaciones a continuación descritas se realizarán siempre sin fluido en la línea.

La válvula está ajustada en fábrica para un correcto y prolongado funcionamiento. No obstante, es posible reajustar la fuerza de apriete de la junta de cierre sobre la bola cuando las condiciones de uso lo requieran. Esta operación se llevará a cabo con ayuda de la llave de regulación (11) que se adjunta en la parte inferior de la válvula.

Para ello desmonte las tuercas (3) de la válvula y extráigala de su alojamiento. Introduzca la llave (11) en la ranura que a tal efecto tiene el portajuntas (13) y gírela en sentido antihorario para apretar la junta y horario para aflojarla.

En caso se desgaste de algún componente de la válvula, podrá ser sustituido desmontando el conjunto del cuerpo de la válvula. Para ello proceda igual que con la regulación pero gire en sentido horario hasta que el portajuntas quede libre. Llegado este punto podrá sustituir cualquiera de las juntas del cuerpo (6,8,9) o la bola (2). Si fuera necesario sustituir el eje (1) o sus juntas (7) debería extraer la bola y además quitar la maneta (4) aflojando el tornillo que se encuentra bajo el logotipo y de esta forma, presionando hacia abajo, liberará el eje. Nótese que un apriete excesivo sobre el portajuntas puede influir en el par de accionamiento lo que puede perjudicar a los actuadores de válvulas motorizadas.

El montaje se realiza siguiendo el proceso inverso pero teniendo siempre la precaución de lubricar las juntas con vaselina neutra o silicona. No utilizar grasas o aceites minerales.



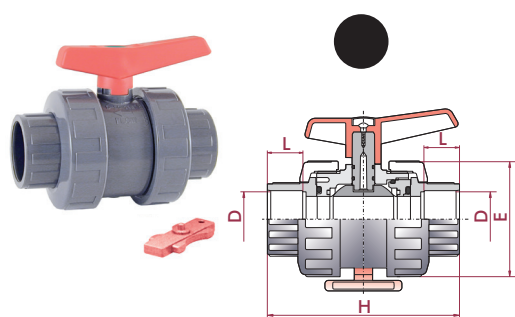
CP. 73. FT6 - PVC-C INDUSTRIAL BALL VALVE

"Industrial" ball valve

- Corzan® PVC-C body
- Female solvent socket
- Seating joints in PTFE
- O Rings in EPDM Perox.
- Black dot

Válvula de bola "Industrial"

- Cuerpo en Corzan® PVC-C
- Encolar hembra
- Juntas asiento bola en PTFE
- Anillos tóricos en EPDM Perox.
- Distintivo negro



D	DN	PN	REF.	CODE
16	10	16	35 73 016	22804
20	15	16	35 73 020	22805
25	20	16	35 73 025	22806
32	25	16	35 73 032	22807
40	32	16	35 73 040	22808
50	40	16	35 73 050	22809
63	50	16	35 73 063	22810
75	65	10	35 73 075	22811
90	80	10	35 73 090	22812
110	100	10	35 73 111	26444

L	H	E
14	84	52
16	84	52
19	108	62
22	124	70
26	142	84
31	167	104
38	198	120
44	232	148
51	269	179
63	359	228

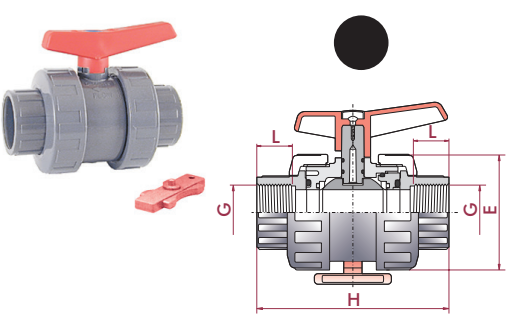
CP. 73. FT6 - PVC-C INDUSTRIAL BALL VALVE

"Industrial" ball valve

- Corzan® PVC-C body
- BSP female thread
- Seating joints in PTFE
- O Rings in EPDM Perox.
- Black dot

Válvula de bola "Industrial"

- Cuerpo en Corzan® PVC-C
- Rosca hembra BSP
- Juntas asiento bola en PTFE
- Anillos tóricos en EPDM Perox.
- Distintivo negro



G	DN	PN	REF.	CODE
3/8"	10	16	35 73 616	22814
1/2"	15	16	35 73 620	22815
3/4"	20	16	35 73 625	22816
1"	25	16	35 73 632	22817
1 1/4"	32	16	35 73 640	22818
1 1/2"	40	16	35 73 650	22819
2"	50	16	35 73 663	22820
2 1/2"	65	10	35 73 675	22821
3"	80	10	35 73 690	22822
4"	100	10	35 73 711	26445

L	H	E
14	84	52
16	84	52
19	108	62
22	124	70
26	142	84
31	167	104
38	198	120
44	232	148
51	269	179
63	359	228

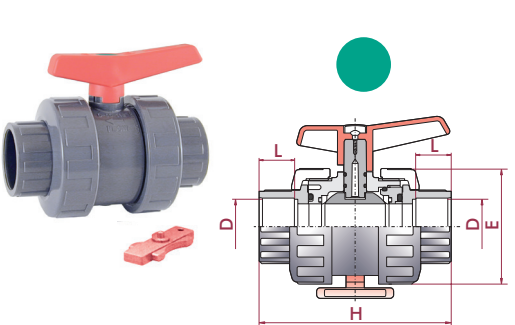
CP. 73. SF7 - PVC-C INDUSTRIAL BALL VALVE

"Industrial" ball valve

- Corzan® PVC-C body
- Female solvent socket
- Metric series
- Seating joints in PTFE
- O-Rings in FPM
- Green dot

Válvula de bola "Industrial"

- Cuerpo en Corzan® PVC-C
- Encolar hembra
- Serie métrica
- Juntas asiento bola en PTFE
- Anillos tóricos en FPM
- Distintivo verde



D	DN	PN	REF.	CODE
16	10	16	35 73 016 VI	22824
20	15	16	35 73 020 VI	22825
25	20	16	35 73 025 VI	22826
32	25	16	35 73 032 VI	22827
40	32	16	35 73 040 VI	22828
50	40	16	35 73 050 VI	22829
63	50	16	35 73 063 VI	22830
75	65	10	35 73 075 VI	22831
90	80	10	35 73 090 VI	22832
110	100	10	35 73 111 VI	26446

L	H	E
14	84	52
16	84	52
19	108	62
22	124	70
26	142	84
31	167	104
38	198	120
44	232	148
51	269	179
63	359	228

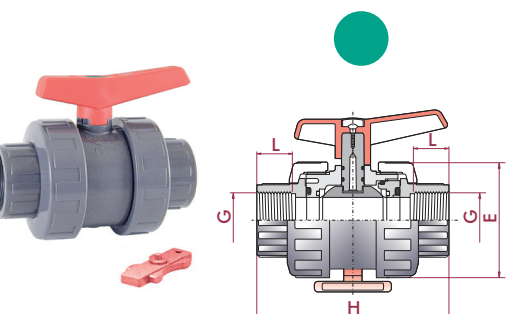
CP. 73. FT7 - PVC-C INDUSTRIAL BALL VALVE

"Industrial" ball valve

- Corzan® PVC-C body
- BSP female thread
- Seating joints in PTFE
- O-Rings in FPM
- Green dot

Válvula de bola "Industrial"

- Cuerpo en Corzan® PVC-C
- Rosca hembra BSP
- Serie métrica
- Juntas asiento bola en PTFE
- Anillos tóricos en FPM
- Distintivo verde



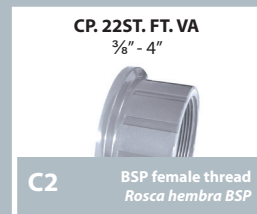
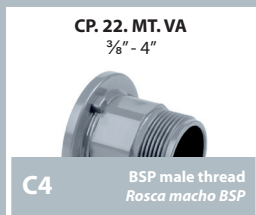
G	DN	PN	REF.	CODE
3/8"	10	16	35 73 616 VI	22834
1/2"	15	16	35 73 620 VI	22835
3/4"	20	16	35 73 625 VI	22836
1"	25	16	35 73 632 VI	22837
1 1/4"	32	16	35 73 640 VI	22838
1 1/2"	40	16	35 73 650 VI	22839
2"	50	16	35 73 663 VI	22840
2 1/2"	65	10	35 73 675 VI	22841
3"	80	10	35 73 690 VI	22842
4"	100	10	35 73 711 VI	26447

L	H	E
14	84	52
16	84	52
19	108	62
22	124	70
26	142	84
31	167	104
38	198	120
44	232	148
51	269	179
63	359	228

ConnectIT System

Connection possibilities - Cepex ball valves

Posibilidades de conexión - Válvulas de bola Cepex

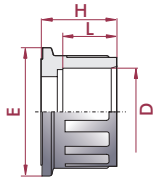


Connections for PVC-C Industrial ball valves Conexiones para válvulas de bola Industrial en PVC-C

CP. 22. SF. VA - BALL VALVE CONNECTIONS STANDARD & INDUSTRIAL

Bush connection
• Female solvent socket
• Metric Series

Manguito conexión
• Encolar hembra
• Serie métrica



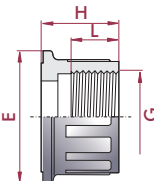
D	DN	PN	REF.	CODE
16	10	16	35 22 016 VA	32733
20	15	16	35 22 020 VA	22275
25	20	16	35 22 025 VA	22276
32	25	16	35 22 032 VA	22277
40	32	16	35 22 040 VA	22278
50	40	16	35 22 050 VA	22279
63	50	16	35 22 063 VA	22280
75	65	10	35 22 075 VA	22281
90	80	10	35 22 090 VA	22282
110	100	10	35 22 111 VA	22283

L	H	E
14	21	37
16	21	37
19	27	43
22	30	51
26	36	62
31	43	73
38	51	93
44	57	118
51	64	144
63	82	188

CP. 22. FT. VA - BALL VALVE CONNECTIONS STANDARD & INDUSTRIAL

Bush connection
•BSP female thread

Manguito conexión
• Rosca hembra BSP



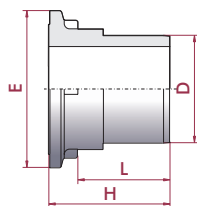
G	DN	PN	REF.	CODE
3/8"	10	10	35 22 616 VA	32735
1/2"	15	10	35 22 620 VA	22293
3/4"	20	10	35 22 625 VA	22294
1"	25	10	35 22 632 VA	22295
1 1/4"	32	10	35 22 640 VA	22296
1 1/2"	40	10	35 22 650 VA	22297
2"	50	10	35 22 663 VA	22298
2 1/2"	65	10	35 22 675 VA	22299
3"	80	10	35 22 690 VA	22300
4"	100	10	35 22 711 VA	22301

L	H	E
14	21	37
16	21	37
19	27	43
22	30	51
26	36	62
31	43	73
35	51	93
42	57	118
42	64	144
61	82	188

CP. 22. SM. VA - BALL VALVE CONNECTIONS STANDARD & INDUSTRIAL

Bush connection
• Male solvent socket
• Metric Series

Manguito conexión
• Encolar macho
• Serie métrica



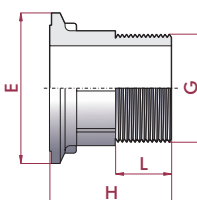
D	DN	PN	REF.	CODE
16	10	16	35 22 216 VA	33797
20	15	16	35 22 220 VA	33798
25	20	16	35 22 225 VA	33799
32	25	16	35 22 232 VA	33800
40	32	16	35 22 240 VA	33801
50	40	16	35 22 250 VA	33802
63	50	16	35 22 263 VA	33803
75	65	10	35 22 275 VA	33804
90	80	10	35 22 290 VA	33805
110	100	10	35 22 311 VA	33806

L	H	E
-	-	-
16	39	37
19	45	43
22	45	51
26	51	62
31	56	73
38	65	93
44	84	118
51	79	144
61	106	188

CP. 22. MT. VA - BALL VALVE CONNECTIONS STANDARD & INDUSTRIAL

Bush connection
• BSP male thread

Manguito conexión
• Rosca macho BSP



G	DN	PN	REF.	CODE
3/8"	10	10	35 22 416 VA	32734
1/2"	15	10	35 22 420 VA	22077
3/4"	20	10	35 22 425 VA	22311
1"	25	10	35 22 432 VA	22312
1 1/4"	32	10	35 22 440 VA	22313
1 1/2"	40	10	35 22 450 VA	22314
2"	50	10	35 22 463 VA	22315
2 1/2"	65	10	35 22 475 VA	22316
3"	80	10	35 22 490 VA	22317
4"	100	10	35 22 511 VA	22318

L	H	E
10	33	37
12	35	37
16	42	43
20	49	51
22	53	62
22	57	73
28	73	93
30	79	118
33	91	144
-	-	-

Connections for PVC-C [STD] ball valves

Conexiones para válvulas de bola [STD] en PVC-C

UP. 22ST. SF. VA - BALL VALVE CONNECTIONS [STD]

Bush connection

- Female solvent socket
- Metric series

Manguito conexión

- Encolar hembra
- Serie métrica



D	DN	PN	REF.	CODE
16	10	16	36 22 016 VA	64457
20	15	16	36 22 020 VA	64458
25	20	16	36 22 025 VA	64459
32	25	16	36 22 032 VA	64460
40	32	16	36 22 040 VA	64461
50	40	16	36 22 050 VA	64462
63	50	16	36 22 063 VA	64463
75	65	10	36 22 075 VA	64464
90	80	10	36 22 090 VA	64465
110	100	10	36 22 111 VA	64466

L	H	E

UP. 22ST. FT. VA - BALL VALVE CONNECTIONS [STD]

Bush connection

- BSP female thread

Manguito conexión

- Rosca hembra BSP



G	DN	PN	REF.	CODE
3/8"	10	10	36 22 616 VA	64669
1/2"	15	10	36 22 620 VA	64670
3/4"	20	10	36 22 625 VA	64671
1"	25	10	36 22 632 VA	64672
1 1/4"	32	10	36 22 640 VA	64673
1 1/2"	40	10	36 22 650 VA	64674
2"	50	10	36 22 663 VA	64675
2 1/2"	65	10	36 22 675 VA	64676
3"	80	10	36 22 690 VA	64677
4"	100	10	36 22 711 VA	64678

L	H	E

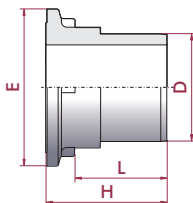
CP. 22ST. SM. VA - BALL VALVE CONNECTIONS [STD]

Bush connection

- Male solvent socket
- Metric Series

Manguito conexión

- Encolar macho
- Serie métrica



D	DN	PN	REF.	CODE
20	15	16	36 22 220 VA	66859
25	20	16	36 22 225 VA	66860
32	25	16	36 22 232 VA	66861
40	32	16	36 22 240 VA	66862
50	40	16	36 22 250 VA	66863
63	50	16	36 22 263 VA	66864

L	H	E
16	39	37
19	45	43
22	45	51
26	51	62
31	56	73
38	65	93

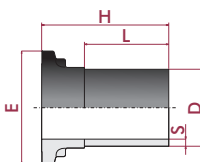
PE. 21ST. BW11. VA - BALL VALVE CONNECTIONS [STD]

Bush connection

- PE connection
- SDR 11
- Metric series

Manguito conexión

- Conexión a PE
- SDR 11
- Serie métrica



D	DN	PN	REF.	CODE
20	15	16	60 45 020 VA	55175
25	20	16	60 45 025 VA	55176
32	25	16	60 45 032 VA	55177
40	32	16	60 45 040 VA	55178
50	40	16	60 45 050 VA	55179
63	50	16	60 45 063 VA	55180
75	65	16	60 45 075 VA	55181
90	80	16	45 21 090	29406
110	80	16	45 21 110	29407

S	L	H	E

PVC-C CHECK VALVES - SPRING SERIES

VÁLVULAS ANTI-RETORNO PVC-C - SERIE MUELLE



Sizes	Solvent cement D16 - D110 (DN10 - DN100) Threaded 3/8" - 4"	
Standards	Solvent socket - Metric, British standard, ASTM, JIS Threaded - BSP, NPT	EN ISO 1452, EN ISO 15493, BS 4346-1, ASTM D 2467, JIS K 6743 ISO 228-1, ASTM D 2464
Working pressure	@ 20°C (73°F) D16-D63 (3/8" - 2"): PN 16 (240 psi) D75 - D110 (2"1/2 - 4"): PN 10 (150 psi)	
Minimum working pressure		
Materials	O-rings: EPDM Perox. / FPM	
Characteristics	<ul style="list-style-type: none"> • May be used either vertically and horizontally. • 100% factory tested. • Easy installation and maintenance. • Available in PVC-U and Corzan® PVC-C. • Resistance to many inorganic chemicals. • Excellent flow characteristics. 	<ul style="list-style-type: none"> • Se pueden usar indistintamente verticalmente o horizontalmente. • Probadas al 100% en fábrica. • Fácil instalación y mantenimiento. • Disponibles en PVC-U y Corzan® PVC-C. • Resistencia a múltiples sustancias químicas inorgánicas. • Excelentes características de conducción.
Certifications / regulations	Check valve design regulation - ISO 16137:2006	

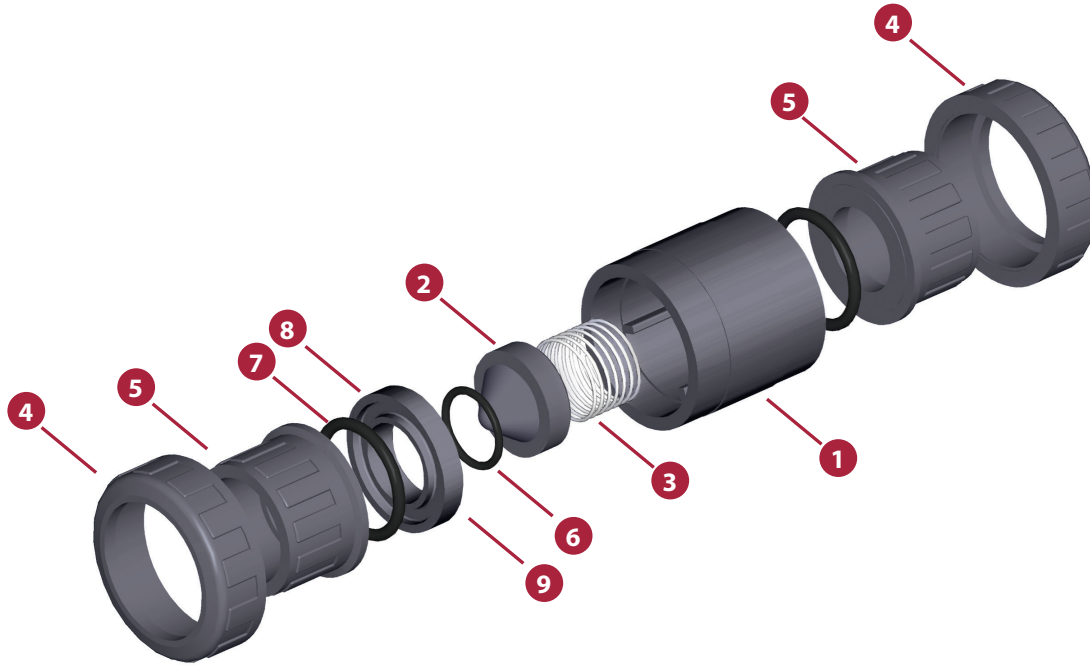
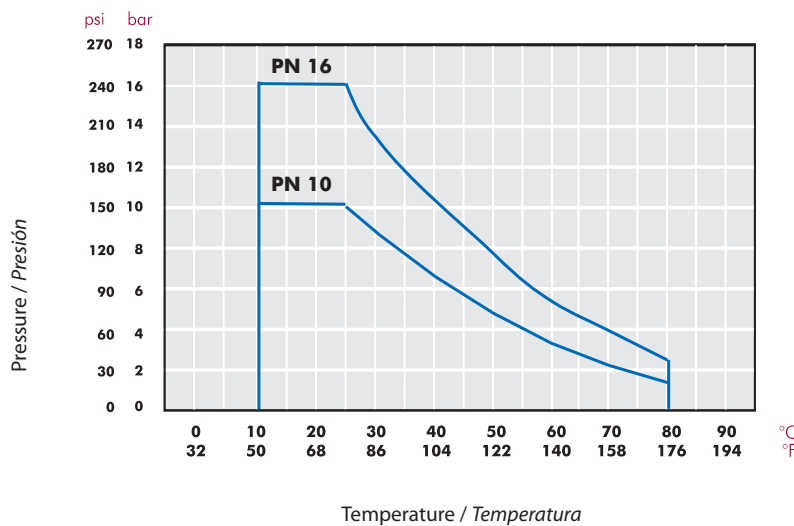


FIG.	Parts	Despiece	Material
1	Body	Cuerpo	Corzan® PVC-C
2	Cone	Cono de cierre	Corzan® PVC-C
3	Spring	Muelle	Stainless Steel AISI 302 / PTFE coated *
4	Union nut	Tuerca	Corzan® PVC-C
5	End connector	Manguito enlace	Corzan® PVC-C
6	Cone o-ring	Junta cono	EPDM Perox. / FPM
7	End connector o-ring	Junta manguito	EPDM Perox. / FPM
8	Seal-carrier	Portajuntas	Corzan® PVC-C
9	Body o-ring	Junta cuerpo	EPDM / FPM

PRESSURE / TEMPERATURE GRAPH
DIAGRAMA PRESIÓN / TEMPERATURA

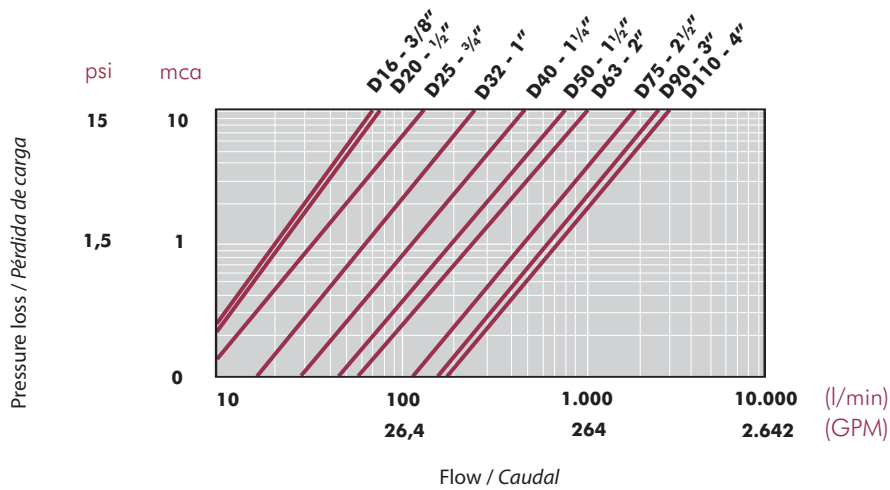


Life: 25 years
Hydrostatic maximum pressure a component may withstand in continuous service (without overpressure)

Vida útil: 25 años
Presión hidrostática máxima que un componente es capaz de soportar en servicio continuo (sin sobrepresión)

PRESSURE LOSS DIAGRAM

DIAGRAMA DE PÉRDIDAS DE CARGA



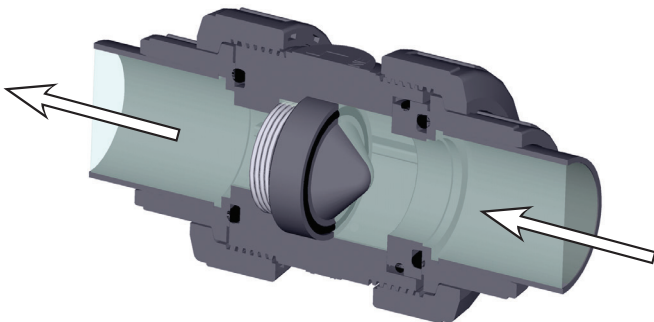
RELATIVE FLOW

FLUJO RELATIVO

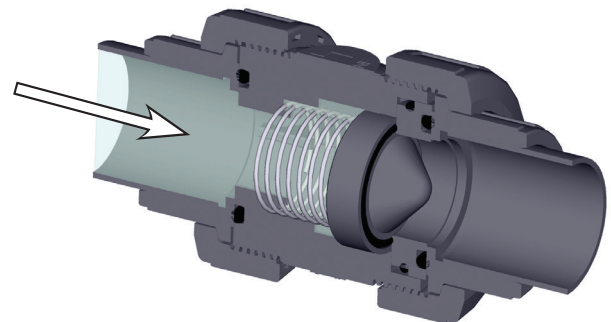
D	20-1/2"	25-3/4"	32-1"	40-1 1/4"	50-1 1/2"	63-2"	75-2 1/2"
DN	15	20	25	32	40	50	65
Kv ₁₀₀	68	133	208	383	667	850	1533
Cv	5	9	15	27	47	60	107

$Cv = Kv_{100} / 14,28$
 Kv_{100} (l/min, $\Delta p = 1$ bar)
 Cv (GPM, $\Delta p = 1$ psi)

Open
Abierto



Closed
Cerrado



OPENING PRESSURE

PRESIÓN DE APERTURA

Minimum pressure: opening start
 Maximum pressure: open valve

Minimum pressure: opening start
Maximum pressure: open valve

D	P (bar) Minimum opening	P (bar) Maximum opening	P (psi) Minimum opening	P (psi) Maximum opening
20	0,11	0,19	1,57	2,71
25	0,035	0,067	0,5	0,95
32	0,042	0,077	0,6	1,1
40	0,038	0,069	0,54	0,98
50	0,063	0,088	0,9	1,25
63	0,038	0,060	0,54	0,85
75	0,031	0,060	0,44	0,85
90	0,025	0,060	0,35	0,85

ASSEMBLY INSTRUCTIONS

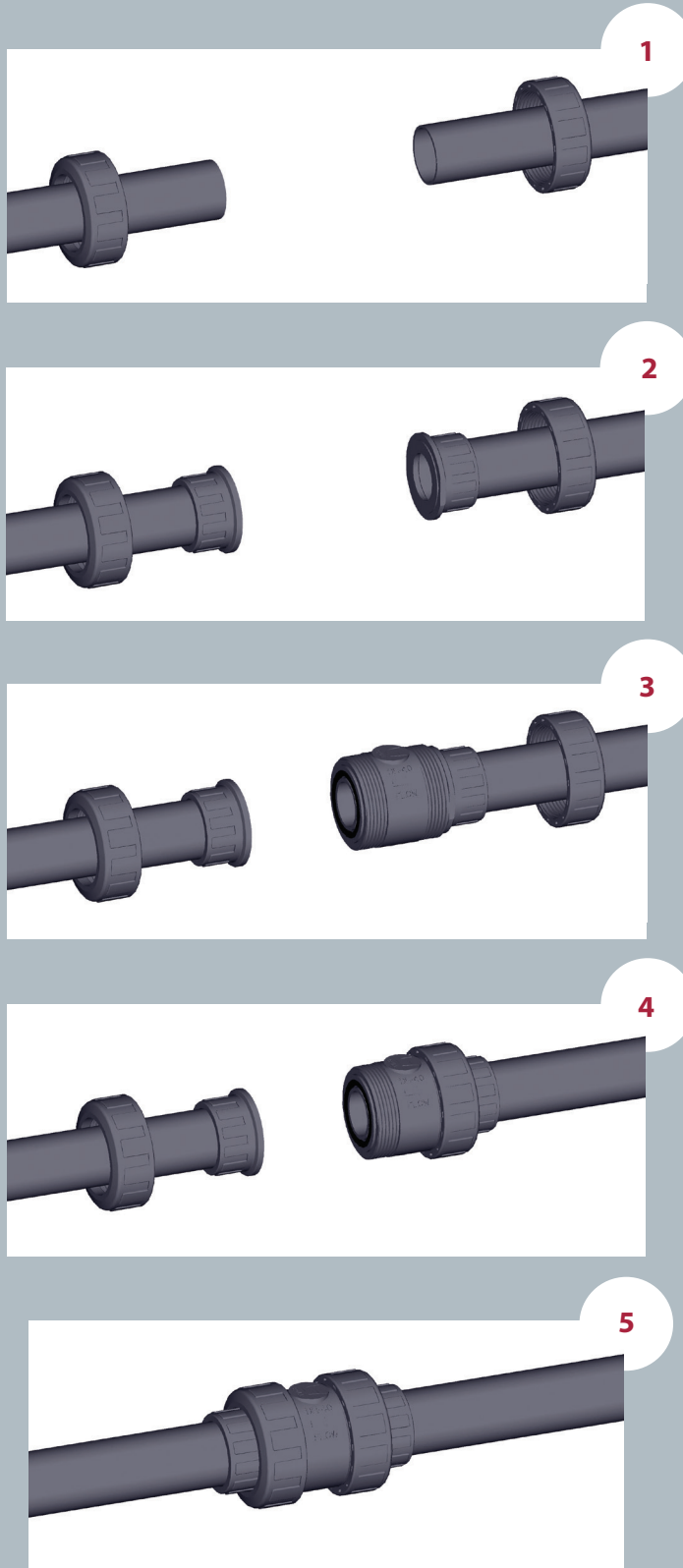
Solvent socket or threaded unions

Loosen the valve union nuts (4) and separate these and the end connectors (5) from the valve body. Pass the pipe through the nuts and then place the bushes over the end of the pipe. The socket unions should be glued onto the pipe using a PVC-U or PVC-C adhesive and pressure should not be applied to the system until a drying period of at least 1 hour per bar of working pressure has elapsed. In the case of threaded unions, PTFE tape should be applied to the male threads. The pipes can now be attached to the valve by hand tightening down the nuts.

INSTRUCCIONES DE MONTAJE

Uniones encoladas o roscadas

Afloje las tuercas (4) de la válvula y sepárelas de los manguitos (5). Introduzca las tuercas en los tubos y a continuación fije los manguitos en los extremos del tubo. Las uniones encoladas se realizarán con un adhesivo para tubos de PVC-U o PVC-C rígido y no se aplicará presión hasta transcurridas al menos 1 hora por bar. En las uniones roscadas se colocará cinta de PTFE en las roscas macho. A continuación ya podrá colocarse la válvula entre los manguitos y apretar a mano las tuercas sobre la válvula.



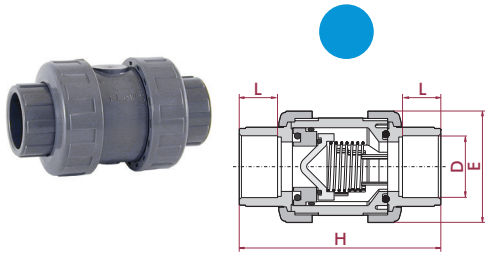
CP-S. 67. SF1 - PVC-C SPRING CHECK VALVE

Spring check valve

- Corzan® PVC-C body
- Female solvent socket
- Metric series
- O-Rings in EPDM Perox.

Válvula anti-retorno

- Cuerpo en Corzan® PVC-C
- Encolar hembra
- Serie métrica
- Anillos tóricos en EPDM Perox.



D	DN	PN	REF.	CODE
16	10	16	35 67 016	22844
20	15	16	35 67 020	22845
25	20	16	35 67 025	22846
32	25	16	35 67 032	22847
40	32	16	35 67 040	22848
50	40	16	35 67 050	22849
63	50	16	35 67 063	22850
75	65	10	35 67 075	22851
90	80	10	35 67 090	22852
110	80	10	35 67 110	22853

L	H	E
14	84	52
16	84	52
19	108	62
22	119	70
26	142	84
31	162	94
38	192	117
44	232	148
51	269	179
51	269	179

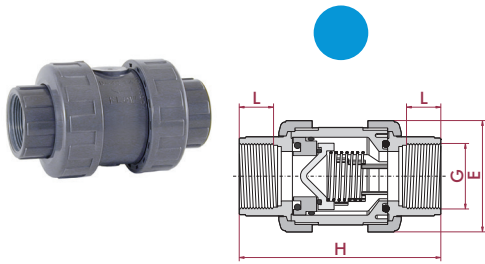
CP-S. 67. FT1 - PVC-C SPRING CHECK VALVE

Spring check valve

- Corzan® PVC-C body
- BSP female thread
- O-Rings in EPDM Perox.

Válvula anti-retorno

- Cuerpo en Corzan® PVC-C
- Roscar hembra BSP
- Anillos tóricos en EPDM Perox.



G	DN	PN	REF.	CODE
3/8"	10	16	35 67 616	22854
1/2"	15	16	35 67 620	22855
3/4"	20	16	35 67 625	22856
1"	25	16	35 67 632	22857
1 1/4"	32	16	35 67 640	22858
1 1/2"	40	16	35 67 650	22859
2"	50	16	35 67 663	22860
2 1/2"	65	10	35 67 675	22861
3"	80	10	35 67 690	22862
4"	80	10	35 67 710	22863

L	H	E
14	84	52
16	84	52
19	108	62
22	119	70
26	142	84
31	162	94
38	192	117
44	232	148
51	269	179
51	269	179

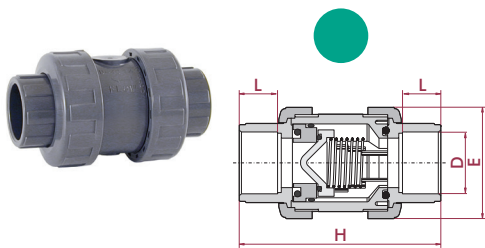
CP-S. 67. SF4 - PVC-C SPRING CHECK VALVE

Spring check valve

- Corzan® PVC-C body
- Female solvent socket
- Metric series
- O-Rings in FPM

Válvula anti-retorno

- Cuerpo en Corzan® PVC-C
- Encolar hembra
- Serie métrica
- Anillos tóricos en FPM



D	DN	PN	REF.	CODE
16	10	16	35 67 016 VI	22864
20	15	16	35 67 020 VI	22865
25	20	16	35 67 025 VI	22866
32	25	16	35 67 032 VI	22867
40	32	16	35 67 040 VI	22868
50	40	16	35 67 050 VI	22869
63	50	16	35 67 063 VI	22870
75	65	10	35 67 075 VI	22871
90	80	10	35 67 090 VI	22872
110	80	10	35 67 110 VI	22873

L	H	E
14	84	52
16	84	52
19	108	62
22	119	70
26	142	84
31	162	94
38	192	117
44	232	148
51	269	179
51	269	179

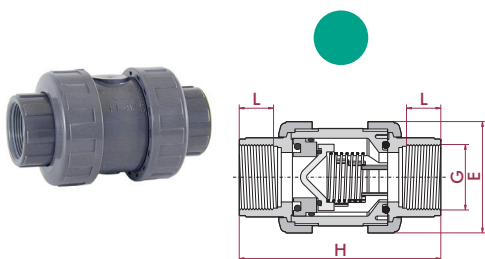
CP-S. 67. FT4 - PVC-C SPRING CHECK VALVE

Spring check valve

- Corzan® PVC-C body
- BSP female thread
- O-Rings in FPM

Válvula anti-retorno

- Cuerpo en Corzan® PVC-C
- Roscar hembra BSP
- Anillos tóricos en FPM



G	DN	PN	REF.	CODE
3/8"	10	16	35 67 616 VI	22874
1/2"	15	16	35 67 620 VI	22875
3/4"	20	16	35 67 625 VI	22876
1"	25	16	35 67 632 VI	22877
1 1/4"	32	16	35 67 640 VI	22878
1 1/2"	40	16	35 67 650 VI	22879
2"	50	16	35 67 663 VI	22880
2 1/2"	65	10	35 67 675 VI	22881
3"	80	10	35 67 690 VI	22882
4"	80	10	35 67 710 VI	22883

L	H	E
14	84	52
16	84	52
19	108	62
22	119	70
26	142	84
31	162	94
38	192	117
44	232	148
51	269	179
51	269	179

PVC-C CHECK VALVES - BALL SERIES

VÁLVULAS ANTI-RETORNO PVC-C - SERIE BOLA



Sizes	Solvent cement D20 - D110 (DN15 - DN100) Threaded ½" - 4"	
Standards	Solvent socket - Metric, British standard, ASTM, JIS Threaded - BSP, NPT	EN ISO 1452, EN ISO 15493, BS 4346-1, ASTM D 2467, JIS K 6743 ISO 228-1, ASTM D 2464
Working pressure	@ 20°C (73°F) D20-D63 (½" - 2"): PN 16 (240 psi) D75 - D110 (2½" - 4"): PN 10 (150 psi)	
Minimum return pressure	0,2 bar (3 psi) Minimal downstream pressure to keep the valve closed in horizontal position. Presión mínima aguas abajo para mantener la válvula cerrada en caso de instalación horizontal.	
Materials	O-rings: EPDM Perox. / FPM	
Characteristics	<ul style="list-style-type: none"> • Completely made in plastic - corrosion free. • 100% factory tested. • Excellent flow rate. • Easy installation and maintenance. • May be used either vertically and horizontally. • Available in PVC-U and Corzan® PVC-C. • Resistance to many inorganic chemicals. • Excellent flow characteristics. 	<ul style="list-style-type: none"> • Fabricada completamente en plástico - libre de corrosión. • Probadas al 100% en fábrica. • Excelente coeficiente de caudal. • Fácil instalación y mantenimiento. • Se pueden usar indistintamente verticalmente o horizontalmente. • Disponibles en PVC-U y Corzan® PVC-C. • Resistencia a múltiples sustancias químicas inorgánicas. • Excelentes características de conducción.
Certifications / regulations	Check valve design regulation - ISO 16137:2006	

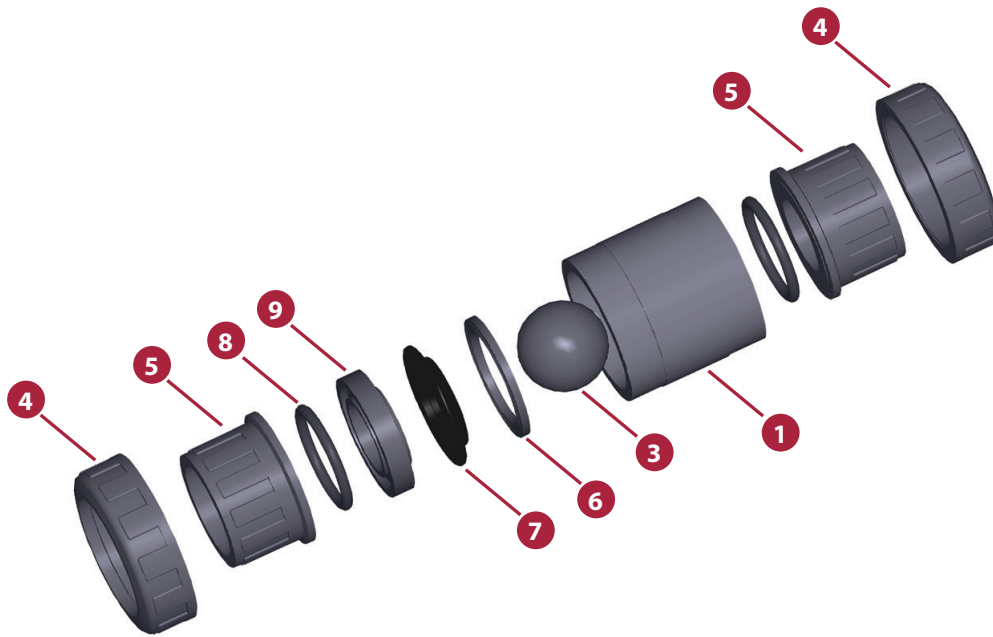
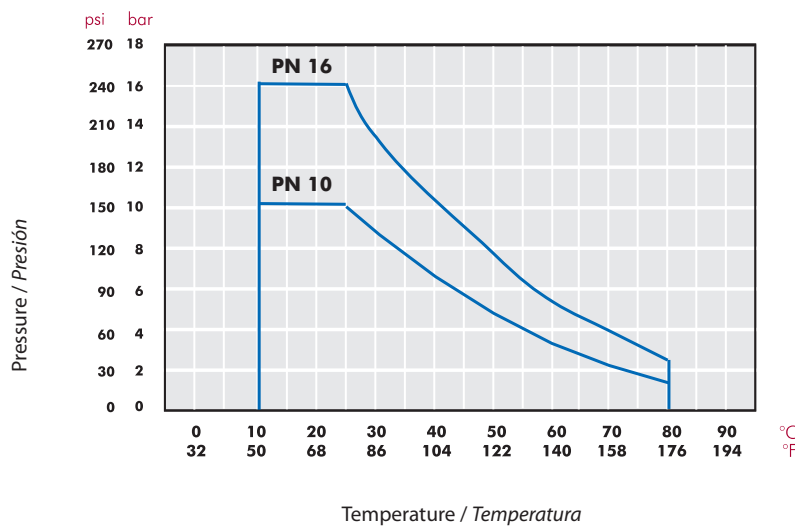


FIG.	Parts	Despiece	Material
1	Body	Cuerpo	Corzan® PVC-C
3	Ball	Bola	Corzan® PVC-C
4	Union nut	Tuerca	Corzan® PVC-C
5	End connector	Manguito enlace	Corzan® PVC-C
6	Closing ring	Anillo de cierre	Corzan® PVC-C
7	Body o-ring	Junta cuerpo	EPDM Perox. / FPM
8	End connector o-ring	Junta manguito	EPDM Perox. / FPM
9	Seal-carrier	Portajuntas	Corzan® PVC-C

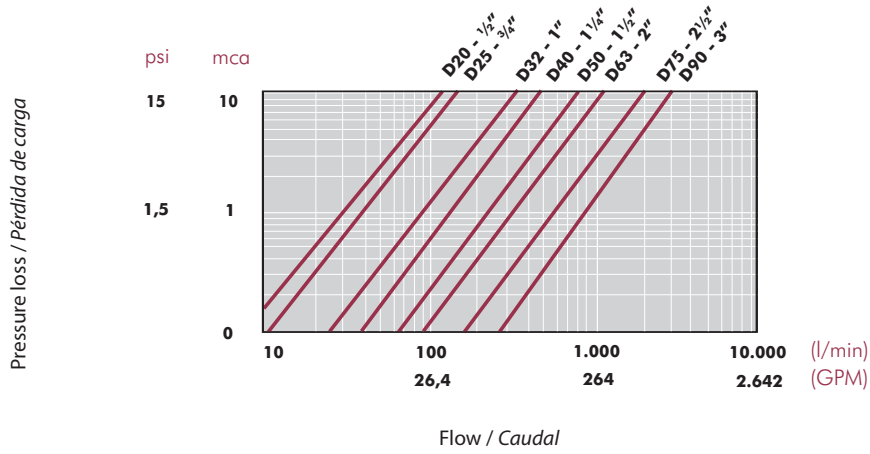
PRESSURE / TEMPERATURE GRAPH
DIAGRAMA PRESIÓN / TEMPERATURA



Life: 25 years
 Hydrostatic maximum pressure a component may withstand in continuous service (without overpressure)

Vida útil: 25 años
 Presión hidrostática máxima que un componente es capaz de soportar en servicio continuo (sin sobrepresión)

PRESSURE LOSS DIAGRAM
DIAGRAMA DE PÉRDIDAS DE CARGA



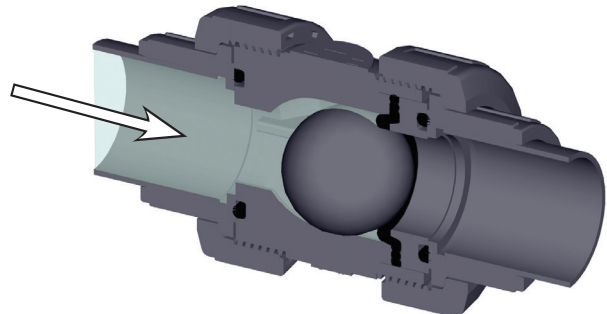
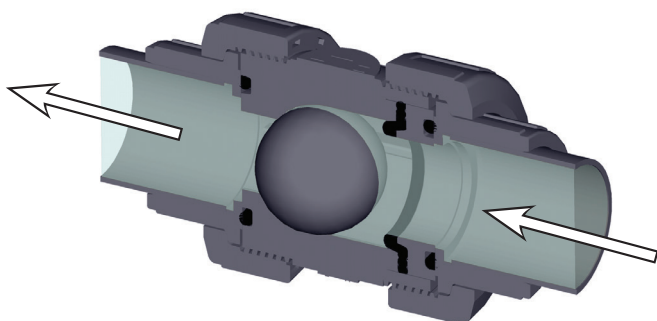
RELATIVE FLOW
FLUJO RELATIVO

D	20-1/2"	25-3/4"	32-1"	40-1 1/4"	50-1 1/2"	63-2"	75-2 1/2"	90-3"
DN	15	20	25	32	40	50	65	80
Kv_{100}	99	128	308	453	795	1040	1932	2754
Cv	7	9	22	32	56	73	135	193

$Cv = Kv_{100} / 14,28$
 Kv_{100} (l/min, $\Delta p = 1$ bar)
 Cv (GPM, $\Delta p = 1$ psi)

Open
Abierto

Closed
Cerrado



ASSEMBLY INSTRUCTIONS

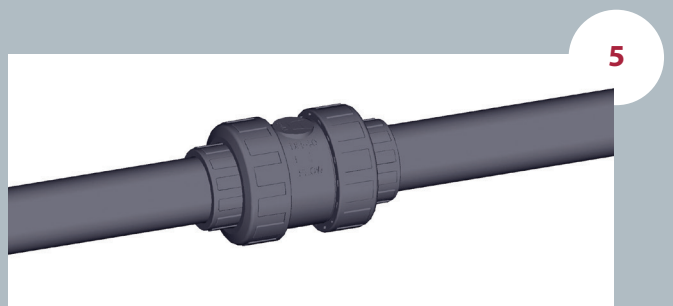
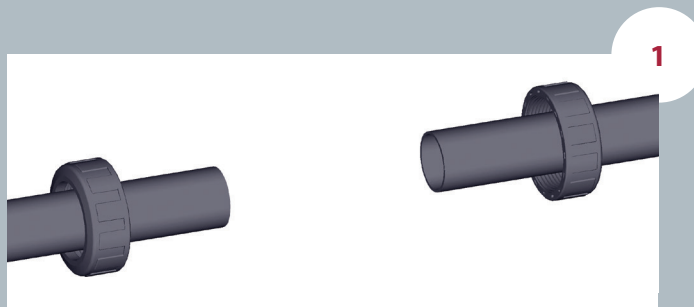
Solvent socket or threaded unions

Loosen the valve union nuts (4) and separate these and the end connectors (5) from the valve body. Pass the pipe through the nuts and then place the bushes over the end of the pipe. The socket unions should be glued onto the pipe using a PVC-U or PVC-C adhesive and pressure should not be applied to the system until a drying period of at least 1 hour per bar of working pressure has elapsed. In the case of threaded unions, PTFE tape should be applied to the male threads. The pipes can now be attached to the valve by hand tightening down the nuts.

INSTRUCCIONES DE MONTAJE

Uniones encoladas o roscadas

Afloje las tuercas (4) de la válvula y sepárelas de los manguitos (5). Introduzca las tuercas en los tubos y a continuación fije los manguitos en los extremos del tubo. Las uniones encoladas se realizarán con un adhesivo para tubos de PVC-U o PVC-C rígido y no se aplicará presión hasta transcurridas al menos 1 hora por bar. En las uniones roscadas se colocará cinta de PTFE en las roscas macho. A continuación ya podrá colocarse la válvula entre los manguitos y apretar a mano las tuercas sobre la válvula.

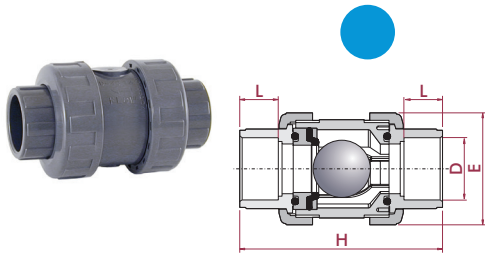


CP-B. 67. SF1 - PVC-C BALL CHECK VALVE
Ball check valve

- Corzan® PVC-C body
- Female solvent socket
- Metric series
- O-Rings in EPDM Perox.

Válvula anti-retorno de bola

- Cuerpo en Corzan® PVC-C
- Encolar hembra
- Serie métrica
- Anillos tóricos en EPDM Perox.



D	DN	PN	REF.	CODE
20	15	16	35 67 220	27501
25	20	16	35 67 225	27502
32	25	16	35 67 232	27503
40	32	16	35 67 240	27504
50	40	16	35 67 250	27505
63	50	16	35 67 263	27506
75	65	10	35 67 275	27507
90	80	10	35 67 290	27508
110	80	10	35 67 310	27509

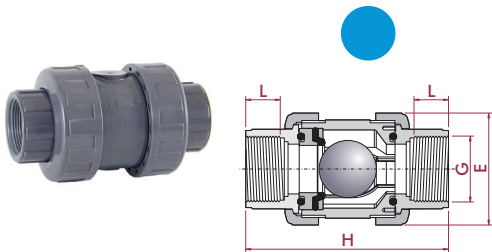
L	H	E
16	84	52
19	108	62
22	119	70
26	142	84
31	162	94
38	192	117
44	232	148
51	269	179
51	269	179

CP-B. 67. FT1 - PVC-C BALL CHECK VALVE
Ball check valve

- Corzan® PVC-C body
- BSP female thread
- O-Rings in EPDM Perox.

Válvula anti-retorno de bola

- Cuerpo en Corzan® PVC-C
- Roscar hembra BSP
- Anillos tóricos en EPDM Perox.



G	DN	PN	REF.	CODE
½"	15	16	35 67 420	27510
¾"	20	16	35 67 425	27511
1"	25	16	35 67 432	27512
1¼"	32	16	35 67 440	27513
1½"	40	16	35 67 450	27514
2"	50	16	35 67 463	27515
2½"	65	10	35 67 475	27516
3"	80	10	35 67 490	27517
4"	80	10	35 67 510	27518

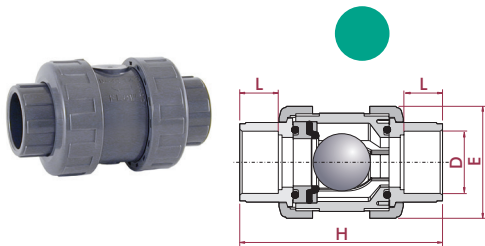
L	H	E
16	84	52
19	108	62
22	119	70
26	142	84
31	162	94
38	192	117
44	232	148
51	269	179
51	269	179

CP-B. 67. SF4 - PVC-C BALL CHECK VALVE
Ball check valve

- Corzan® PVC-C body
- Female solvent socket
- Metric series
- O-Rings in FPM

Válvula anti-retorno de bola

- Cuerpo en Corzan® PVC-C
- Encolar hembra
- Serie métrica
- Anillos tóricos en FPM



D	DN	PN	REF.	CODE
20	15	16	35 67 220 VI	27519
25	20	16	35 67 225 VI	27520
32	25	16	35 67 232 VI	27521
40	32	16	35 67 240 VI	27522
50	40	16	35 67 250 VI	27523
63	50	16	35 67 263 VI	27524
75	65	10	35 67 275 VI	27525
90	80	10	35 67 290 VI	27526
110	80	10	35 67 310 VI	27527

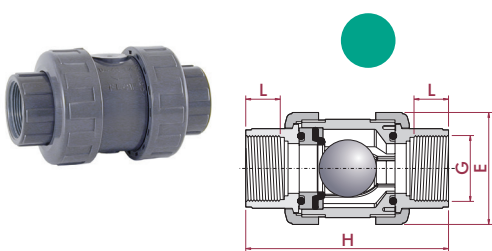
L	H	E
16	84	52
19	108	62
22	119	70
26	142	84
31	162	94
38	192	117
44	232	148
51	269	179
51	269	179

CP-B. 67. FT4 - PVC-C BALL CHECK VALVE
Ball check valve

- Corzan® PVC-C body
- BSP female thread
- O-Rings in FPM

Válvula anti-retorno de bola

- Cuerpo en Corzan® PVC-C
- Roscar hembra BSP
- Anillos tóricos en FPM



G	DN	PN	REF.	CODE
½"	15	16	35 67 420 VI	27528
¾"	20	16	35 67 425 VI	27529
1"	25	16	35 67 432 VI	27530
1¼"	32	16	35 67 440 VI	27531
1½"	40	16	35 67 450 VI	27532
2"	50	16	35 67 463 VI	27533
2½"	65	10	35 67 475 VI	27534
3"	80	10	35 67 490 VI	27535
4"	80	10	35 67 510 VI	27536

L	H	E
16	84	52
19	108	62
22	119	70
26	142	84
31	162	94
38	192	117
44	232	148
51	269	179
51	269	179

... the most **complete** range
 ... *la gama más completa*

	Body <i>Cuerpo</i>	Disc <i>Compuerta</i>	Rubber seal <i>Junta compuerta</i>	Shaft <i>Eje</i>	Sizes <i>Medidas</i>	PN
--	-----------------------	--------------------------	---------------------------------------	---------------------	-------------------------	----

Industrial Series

PP - GR

PVC-U
PVC-C

EPDM perox.
FPM

Stainless steel

D63 - D225
(2" - 8")

10 bar
150 psi

PP handle with locking device

63 - 75

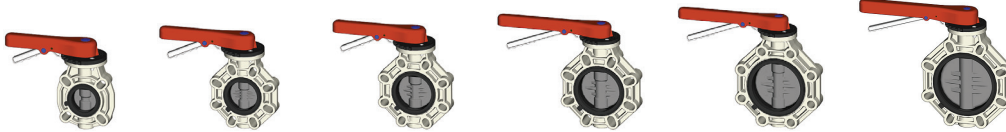
90

110

125 - 140

160

200 - 225



Industrial Series

PP - GR

PVC-U
PVC-C

EPDM perox.
FPM

Stainless steel

D63 - D225
(2" - 8")

10 bar
150 psi

Gear box

D250 - D315
(10" - 12")

6 bar
90 psi

63 - 75

90

110

125 - 140

160

200 - 225

250 - 280

315

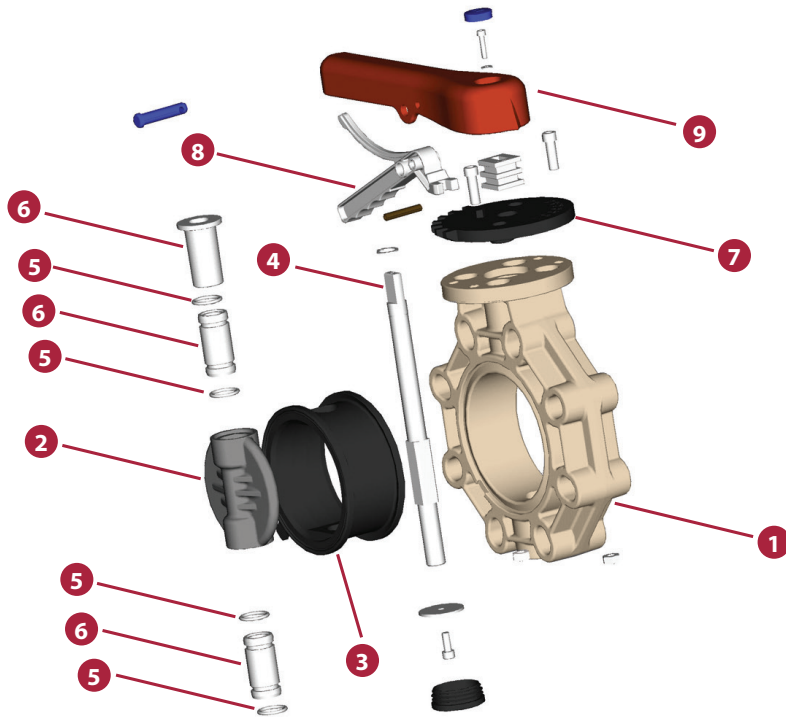


PVC-C BUTTERFLY VALVES - INDUSTRIAL SERIES

VÁLVULAS DE MARIPOSA PVC-C - SERIE INDUSTRIAL



Sizes	D63 - D315 (DN50 - DN300) 2" - 12" (DN50 - DN300)	
Standards	ISO/DIN, British Standard, ANSI/ASTM, JIS	EN 558-1 BS EN 1092-1 ANSI B.16.5 class 150 JIS B 2220
Working pressure	@ 20°C (73°F) D63-D225 (2" - 8"): PN 10 (150 psi) D250 - D315 (10" - 12"): PN 6 (90 psi)	
Materials	Gasket: EPDM perox. / FPM	Shaft: Stainless steel (AISI 630)
Characteristics	<ul style="list-style-type: none"> • One piece PP - GR body. • Disc available in different materials (PVC-U, PVC-C, PP-H). • Ideally suited for flow control using minimal piping space. • 100% factory tested. • Minimal pressure drop. • Low maintenance. • Resistance to many inorganic chemicals. • Regulable opening every 15° with position holding. • Good mechanical strength. • Built in lockout feature to prevent undesired operations. • Electric and pneumatic actuators available, and with gear box. 	<ul style="list-style-type: none"> • Cuerpo de una sola pieza en PP - GR. • Compuerta disponible en diversos materiales (PVC-U, PVC-C, PP-H). • Ideal para el control del fluido usando poco espacio. • Testadas al 100% en fábrica. • Mínima pérdida de carga. • Resistencia a múltiples sustancias químicas inorgánicas. • Apertura regulable cada 15° con fijación de posición. • Buena resistencia mecánica. • Seguro incorporado en la maneta para evitar operaciones no deseadas. • Motorizaciones eléctricas, neumáticas y reductor manual disponibles.
Certifications / regulations	Butterfly valve design regulation - ISO 16136	



GEAR BOX

It facilitates the maneuver of the valve by reducing the manual actuation torque by means of a handwheel, in addition to achieving greater precision in the case of regulation.
Reduction: 40:1

MATERIALS

- Case: Aluminium
- Shaft: Stainless steel
- Handwheel: Stainless steel

Protection: IP65

REDUCTOR MANUAL

Facilita la maniobra de la válvula reduciendo el par de accionamiento manual mediante un volante, además de conseguir mayor precisión en caso de regulación.
Reducción: 40:1

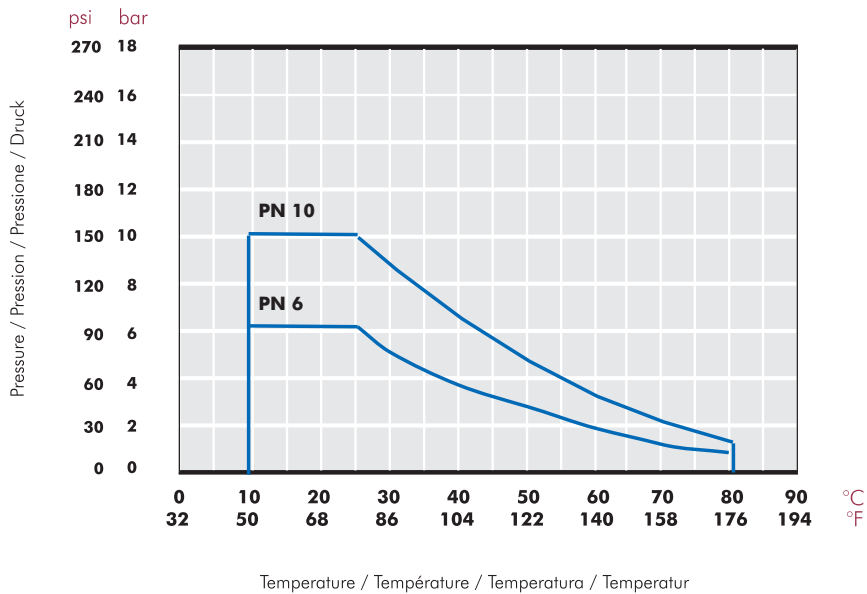
MATERIALES

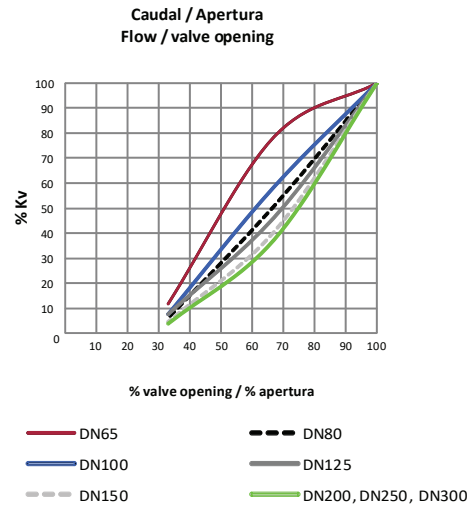
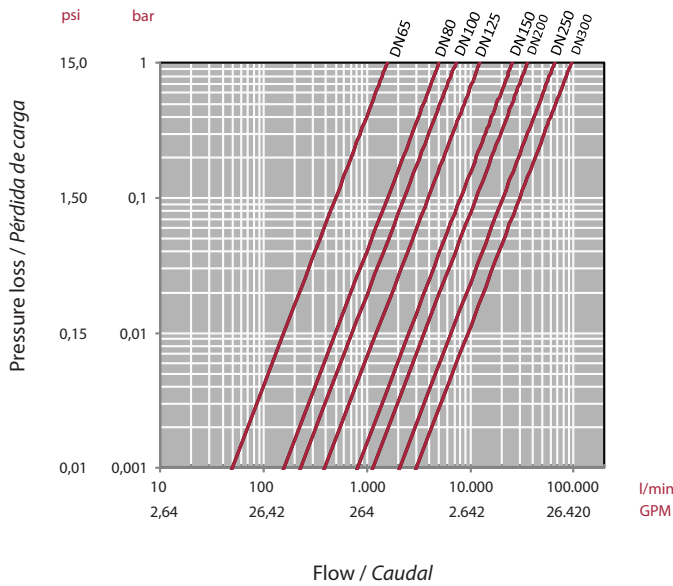
- Carcasa: Aluminio
- Eje: Acero inoxidable
- Volante: Acero inoxidable

Protección: IP65

FIG.	Parts	Despiece	Material
1	Body	Cuerpo	PP - GR
2	Valve disc	Compuerta	Corzan® PVC-C
3	Rubber seal	Junta compuerta	EPDM perox. / FPM
4	Shaft	Eje	AISI 630 stainless steel
5	O-ring seal	Junta eje	EPDM perox. / FPM
6	Top bearing	Casquillo guía	PP - GR
7	Throttle plate	Conjunto divisor	PP - GR
8	Lever-lock	Gatillo de la maneta	POM
9	Handle	Maneta	PP - GR
10	Gear box (optional)	Reductor manual (opcional)	Aluminium

PRESSURE / TEMPERATURE GRAPH
DIAGRAMA PRESIÓN / TEMPERATURA



PRESSURE LOSS DIAGRAM
DIAGRAMA DE PÉRDIDAS DE CARGA

RELATIVE FLOW
FLUJO RELATIVO

D	63-75 (2½")	90 (3")	110 (4")	125-140 (5")	160 (6")	200-225 (8")	250-280 (10")	315 (12")
DN	50 - 65	80	100	125	150	200	250	300
Kv100	1.568	4.980	7.212	12.320	25.447	35.778	65.222	94.660
Cv	110	349	505	863	1.134	2.505	4.567	6.629

$$Cv = Kv_{100} / 14,28$$

$$Kv_{100} \text{ (l/min, } \Delta p = 1 \text{ bar)}$$

$$Cv \text{ (GPM, } \Delta p = 1 \text{ psi)}$$

OPERATIONAL TORQUE CHART
TABLA DE PAR DE MANIOBRA

D	63-75 (2½")	90 (3")	110 (4")	125-140 (5")	160 (6")	200-225 (8")	250-280 (10")	315 (12")
DN	50 - 65	80	100	125	150	200	250	300
Nm	25	28	35	85	110	110	180	250
lb*inch	221	248	310	752	974	974	1593	2213

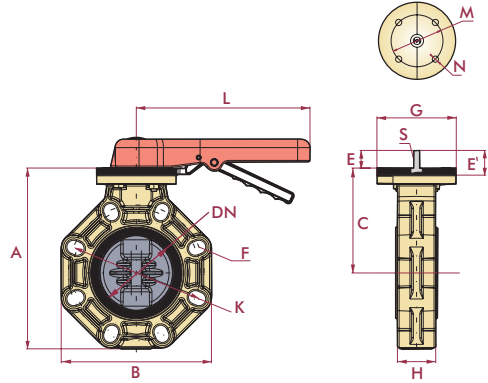
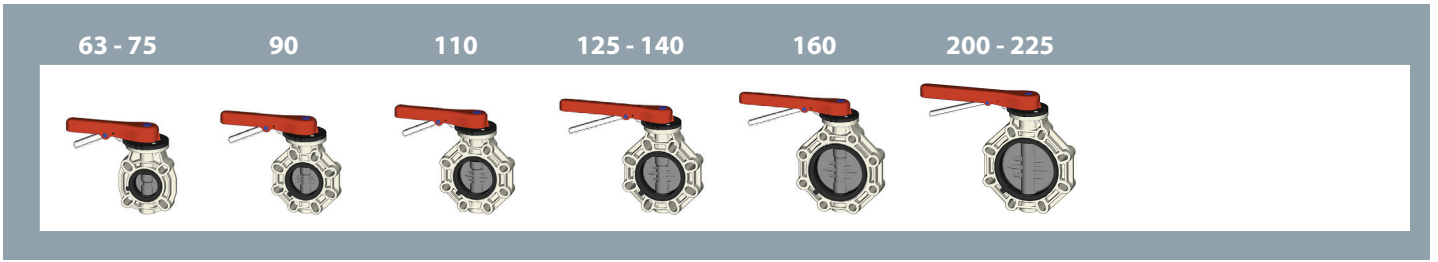
Operating torque values at rated pressure (PN) and 20 °C in as new direct from the factory condition. Installation and operating conditions (pressure and temperature) will affect these values. The actuator that is required for an automatic operation must be calculated according to some safety factors that were determined in life tests carried out in the factory.

Los valores de par de giro se determinan a presión nominal (PN) y a 20 °C, en condiciones de salida de fábrica. Las condiciones de instalación y operación (presión y temperatura) afectarán a estos valores. El actuador requerido para automatizar el giro debe ser calculado teniendo en cuenta ciertos coeficientes de seguridad que han sido determinados en pruebas de fatiga realizadas en fábrica.

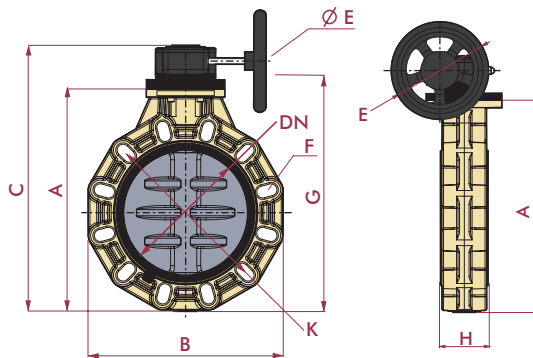
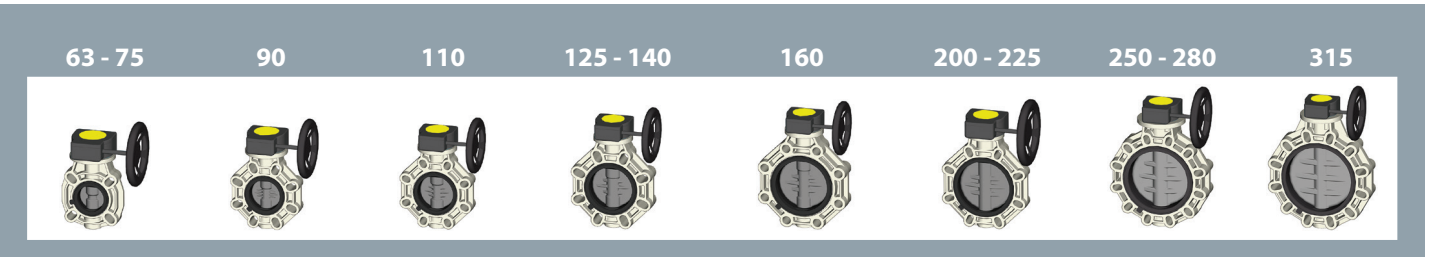
TIGHTENING TORQUE (INSTALLATION)
PAR DE APRIETE (INSTALACIÓN)

D	63-75 (2½")	90 (3")	110 (4")	125-140 (5")	160 (6")	200-225 (8")	250-280 (10")	315 (12")
DN	50 - 65	80	100	125	150	200	250	300
Screws	4xM16x120	8xM16x150	8xM16x160	8xM16x170	8xM20x200	8xM20x210	12xM20x270	12xM20x310
(N·m)	25	25	30	35	40	50	80	80
(inch·lbs)	221	221	265	310	354	442	708	708

DIMENSIONS
DIMENSIONES



D	inch	DN	A	B	C	E	F	H	I	K	L	M	N	holes
63-75	2½"	50 - 65	241	156	120	81	18	45	112	125-145	22	70	9	4
90	3"	80	272	190	136	95	19	48	112	150-170	245	70	9	8
110	4"	100	294	212	148	106	19	54	112	180-192	245	70	9	8
125-140	5"	125	326	238	164	119	22	64	112	190-215	320	70	9	8
160	6"	150	355	265	180	133	24	70	112	240	320	70	9	8
200-225	8"	200	427	320	217	161	23	71	136	270-298	391	102	11	8



D	inch	DN	B	D	E	F	G	H	K	M	N	holes
63-75	2½"	50 - 65	156	203	81	18	125	45	125-145	70	9	4
90	3"	80	190	220	95	19	125	48	150-170	70	9	8
110	4"	100	212	231	106	19	125	54	180-192	70	9	8
125-140	5"	125	238	254	119	22	160	64	190-215	70	9	8
160	6"	150	265	270	133	24	160	70	240	70	9	8
200-225	8"	200	320	320	161	23	160	71	270-298	102	11	8
250-280	10"	250	392	402	199	24	200	112	329-355	-	-	12
315	12"	300	470	421	238	28	200	114	384-427	-	-	12

CP. 84. SS. FGEP - PVC-C INDUSTRIAL BUTTERFLY VALVE
Butterfly valve

- PP - GR body
- Blue dot
- Joints in EPDM perox.
- Stainless steel shaft (AISI 630)
- Disc in Corzan® PVC-C
- PP-GR handle

Válvula de mariposa

- Cuerpo en PP - GR
- Distintivo azul
- Juntas EPDM perox.
- Eje en acero inoxidable (AISI 630)
- Compuerta de Corzan® PVC-C
- Maneta en PP-GR



D	DN	PN	REF.	CODE
63 - 75	50 - 65	10	35 84 075	34480
90	80	10	35 84 090	34481
110	100	10	35 84 110	33961
125 - 140	125	10	35 84 140	34482
160	150	10	35 84 160	34483
200 - 225	200	10	35 84 200	34484

CP. 84. SS. VI - PVC-C INDUSTRIAL BUTTERFLY VALVE
Butterfly valve

- PP - GR body
- Green dot
- Joints in FPM
- Stainless steel shaft (AISI 630)
- Disc in Corzan® PVC-C
- PP-GR handle

Válvula de mariposa

- Cuerpo en PP - GR
- Distintivo verde
- Juntas FPM
- Eje en acero inoxidable (AISI 630)
- Compuerta de Corzan® PVC-C
- Maneta en PP-GR



D	DN	PN	REF.	CODE
63 - 75	50 - 65	10	35 84 075 VI	34485
90	80	10	35 84 090 VI	34486
110	100	10	35 84 110 VI	33962
125 - 140	125	10	35 84 140 VI	34487
160	150	10	35 84 160 VI	34488
200 - 225	200	10	35 84 200 VI	34489

CP. 84. SS. FGEP. RM - PVC-C INDUSTRIAL BUTTERFLY VALVE
Butterfly valve

- PP - GR body
- Joints in EPDM perox.
- Stainless steel shaft (AISI 630)
- Disc in Corzan® PVC-C
- Gear box

Válvula de mariposa

- Cuerpo en PP - GR
- Juntas EPDM perox.
- Eje en acero inoxidable (AISI 630)
- Compuerta de Corzan® PVC-C
- Reductor manual



D	DN	PN	REF.	CODE
63 - 75	50 - 65	10	35 84 075 RM	34490
90	80	10	35 84 090 RM	34491
110	100	10	35 84 110 RM	34492
125 - 140	125	10	35 84 140 RM	34493
160	150	10	35 84 160 RM	34494
200 - 225	200	10	35 84 200 RM	34495
250 - 280	250	6	35 84 250 RM	34496
315	300	6	35 84 315 RM	34497

CP. 84. SS. VI. RM - PVC-C INDUSTRIAL BUTTERFLY VALVE
Butterfly valve

- PP - GR body
- Joints in FPM
- Stainless steel shaft (AISI 630)
- Disc in Corzan® PVC-C
- Gear box

Válvula de mariposa

- Cuerpo en PP - GR
- Juntas FPM
- Eje en acero inoxidable (AISI 630)
- Compuerta de Corzan® PVC-C
- Reductor manual



D	DN	PN	REF.	CODE
63 - 75	50 - 65	10	35 84 075 VRM	34498
90	80	10	35 84 090 VRM	34499
110	100	10	35 84 110 VRM	34500
125 - 140	125	10	35 84 140 VRM	34501
160	150	10	35 84 160 VRM	34502
200 - 225	200	10	35 84 200 VRM	34503
250 - 280	250	6	35 84 250 VRM	34504
315	300	6	35 84 315 VRM	34505

AMERICAN STANDARD

BALL VALVES
VÁLVULAS DE BOLA

01

PAG. 594

CHECK VALVES
VÁLVULAS ANTI-RETORNO

02

PAG. 611

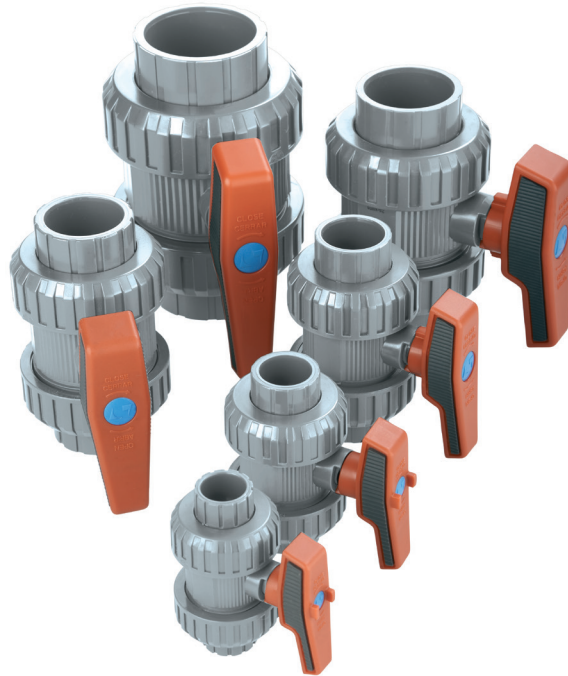
BUTTERFLY VALVES
VÁLVULAS DE MARIPOSA

03

PAG. 623

PVC-C BALL VALVES - [STD] SERIES

VÁLVULAS DE BOLA PVC-C - SERIE [STD]



Sizes	Solvent cement D16 - D110 (DN10-DN100) Threaded 3/8" - 4"	
Standard end connections	Solvent socket - Metric, ASTM, British standard Threaded - BSP, NPT Butt welding - SDR11 Compression - Metric, IPS, CTS	EN ISO 1452, EN ISO 15493, BS 4346-1, ASTM D 2467 ISO 228-1, ASTM D 2464
Working pressure	@ 20°C (73°F) D16 - D63 (3/8" - 2"): PN 16 (240 psi) D75 - D110 (2 1/2" - 4"): PN 10 (150 psi)	
Materials	O-rings: EPDM / FPM	Ball seats: HDPE / PTFE
Characteristics	<ul style="list-style-type: none"> • Threaded seal-carrier for upstream maintenance without emptying the system. • Handle built-in tool for easy adjustment of the threaded seal-carrier (and ball torque). • "Antiblock" system that avoids ball blockage. • 100% factory tested. • Minimal pressure drop. • Low operating torque. • Resistance to many inorganic chemicals. • Excellent flow characteristics. 	<ul style="list-style-type: none"> • Portajuntas roscado para el mantenimiento de la válvula sin necesidad de vaciar el sistema. • Llave incorporada en la maneta para ajuste del portajuntas roscado (ajuste del par). • Sistema "Antiblock" que evita el bloqueo de la bola. • Probadas al 100% en fábrica. • Mínima pérdida de carga. • Bajo par de maniobra de apertura y cierre. • Resistencia a múltiples sustancias químicas inorgánicas. • Excelentes características de conducción.
Certifications / Regulations	Ball valve design regulation - EN ISO 16135	

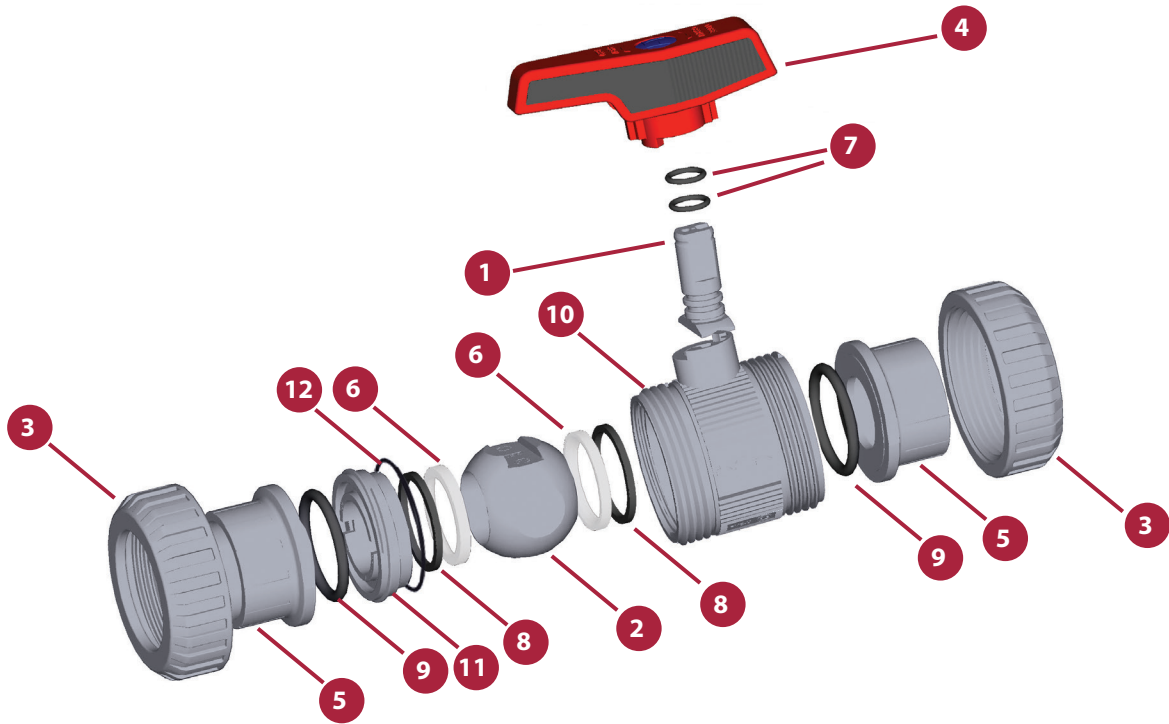
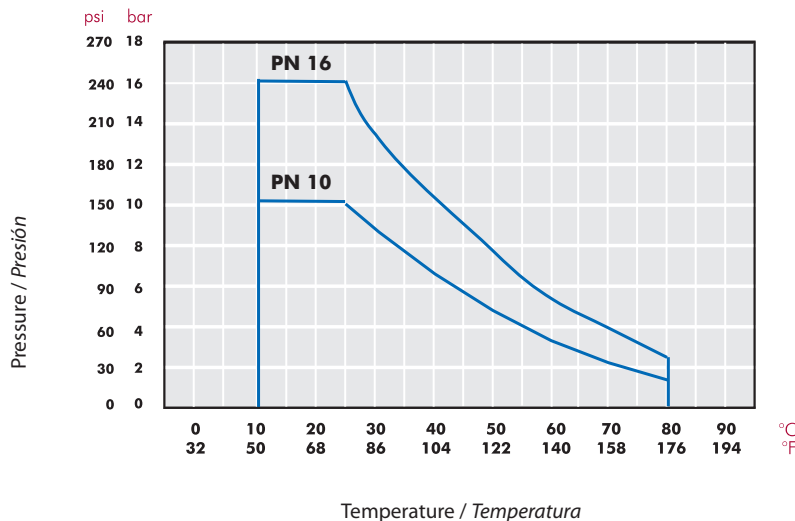


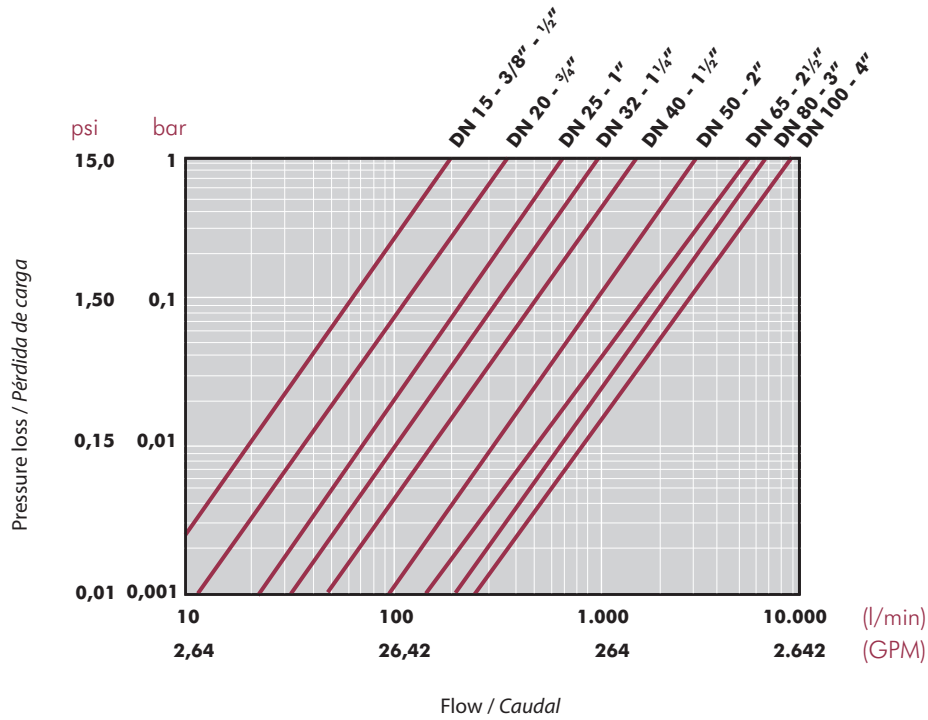
FIG.	Parts	Despiece	Material
1	Shaft	Eje	PVC-C
2	Ball	Bola	PVC-C
3	Union nut	Tuerca	PVC-C
4	Handle	Conjunto maneta	PP + TPE
5	End connector	Manguito enlace	PVC-C
6	Ball seat	Asiento bola	PTFE
7	Shaft o-ring	Junta eje	EPDM / FPM
8	Dampener seal	Junta amortiguación	EPDM / FPM
9	End connector o-ring	Junta manguito	EPDM / FPM
10	Body	Cuerpo	PVC-C
11	Seal-carrier	Portajuntas	PVC-C
12	Body o-ring	Junta cuerpo	EPDM / FPM

PRESSURE / TEMPERATURE GRAPH
DIAGRAMA PRESIÓN / TEMPERATURA



Life: 25 years
 Hydrostatic maximum pressure a component may withstand in continuous service (without overpressure)

Vida útil: 25 años
Presión hidrostática máxima que un componente es capaz de soportar en servicio continuo (sin sobrepresión)

PRESSURE LOSS DIAGRAM
DIAGRAMA DE PÉRDIDAS DE CARGA

RELATIVE FLOW
FLUJO RELATIVO

D	16-3/8"	20-1/2"	25-3/4"	32-1"	40-1 1/4"	50-1 1/2"	63-2"	75-2 1/2"	90-3"	110-4"
DN	10	15	20	25	32	40	50	65	80	100
Kv ₁₀₀	75	190	380	690	980	1.600	3.000	5.500	6.800	8900
Cv	5,3	13,3	26,6	48,3	68,6	112	210,1	385,2	476,2	623,2

$$Cv = Kv_{100} / 14,28$$

$$Kv_{100} \text{ (l/min, } \Delta p = 1 \text{ bar)}$$

$$Cv \text{ (GPM, } \Delta p = 1 \text{ psi)}$$

TORQUE GRAPH
DIAGRAMA DE PAR

D	16-3/8"	20-1/2"	25-3/4"	32-1"	40-1 1/4"	50-1 1/2"	63-2"	75-2 1/2"	90-3"	110-4"
DN	10	15	20	25	32	40	50	65	80	100
Nm	1	1	2	3,5	3,5	5	15	25	45	60
in/lb	8,9	8,9	17,7	31	31	44,3	132,8	221,3	398,3	531

Operating torque values at rated pressure (PN) and 20 °C in as new direct from the factory condition. Installation and operating conditions (pressure and temperature) will affect these values. The actuator that is required for an automatic operation must be calculated according to some safety factors that were determined in life tests carried out in the factory.

Los valores de par de giro se determinan a presión nominal (PN) y a 20 °C, en condiciones de salida de fábrica. Las condiciones de instalación y operación (presión y temperatura) afectarán a estos valores. El actuador requerido para automatizar el giro debe ser calculado teniendo en cuenta ciertos coeficientes de seguridad que han sido determinados en pruebas de fatiga realizadas en fábrica.

ASSEMBLY INSTRUCTIONS

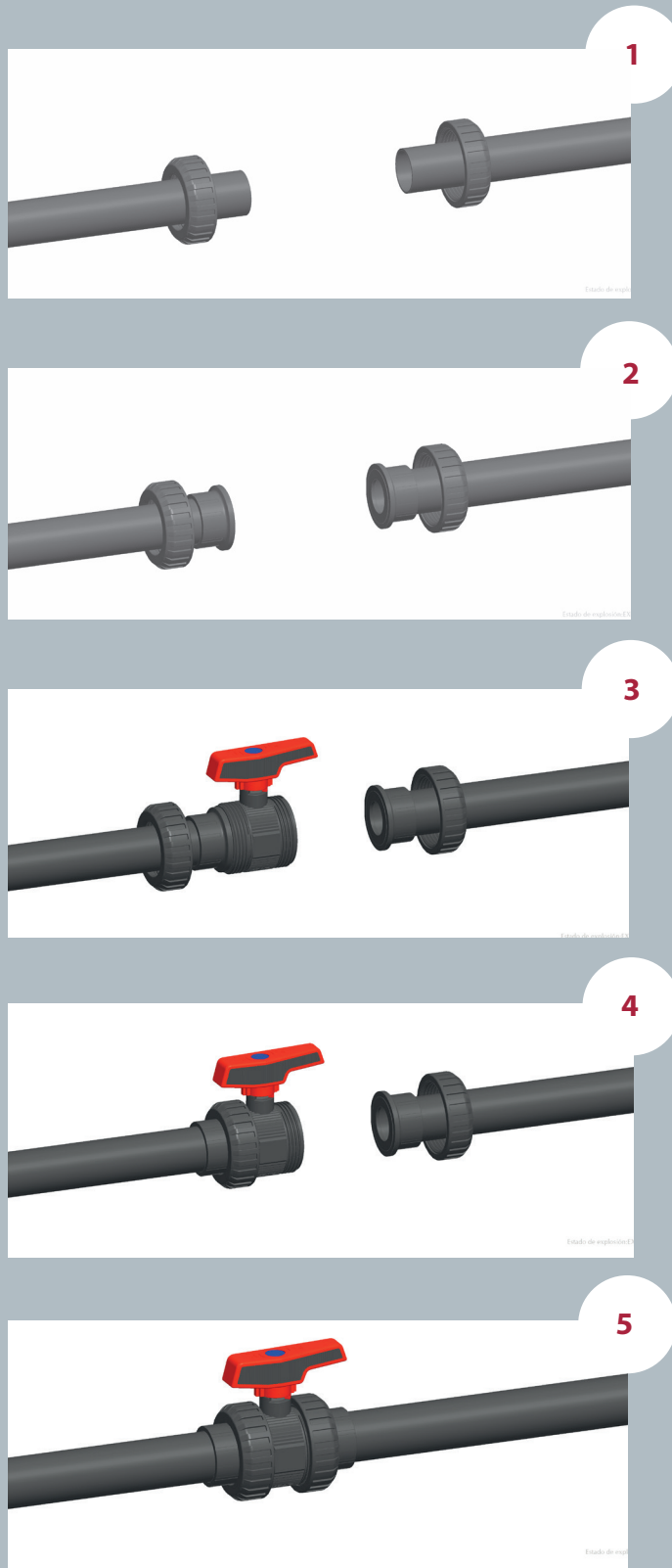
Solvent socket or threaded unions

Loosen the valve union nuts (3) and separate these and the end connectors (5) from the valve body. Pass the pipe through the nuts and then place the bushes over the end of the pipe. The socket unions should be glued onto the pipe using a PVC-U or PVC-C adhesive and pressure should not be applied to the system until a drying period of at least 1 hour per bar of working pressure has elapsed. In the case of threaded unions, PTFE tape should be applied to the male threads. The pipes can now be attached to the valve by hand tightening down the nuts.

INSTRUCCIONES DE MONTAJE

Uniones encoladas o roscadas

Afloje las tuercas (3) de la válvula y sepárelas de los manguitos (5). Introduzca las tuercas en los tubos y a continuación fije los manguitos en los extremos del tubo. Las uniones encoladas se realizarán con un adhesivo para tubos de PVC-U o PVC-C rígido y no se aplicará presión hasta transcurridas al menos 1 hora por bar. En las uniones roscadas se colocará cinta de PTFE en las roscas macho. A continuación ya podrá colocarse la válvula entre los manguitos y apretar a mano las tuercas sobre la válvula.



ADJUSTMENT AND MAINTENANCE OF THE VALVES

Provided that there is no pressure in the circuit, with the valve closed maintenance can be carried out on any component in the valve line.

The following steps can be carried out while maintaining system pressure.

The valve is factory adjusted to ensure correct operation over long periods of time. Nevertheless, it is possible to readjust the clamping force on the ball if it is required. This operation is carried out by using the handle (4) which is attached to the bottom of the valve.

To carry out this operation it is first necessary to disassemble the two nuts and remove the valve. Introduce the handle (4) into the slot which forms part of the seal-carrier (13) and turn the adjusting tool either (a) clockwise to loosen the seal or (b) anticlockwise to tighten the seal.

When the time comes to replace any part of the valve, this can be easily done. First, use the adjusting tool to turn the seal-carrier (13) clockwise until it comes free. At this stage, any of the body O-rings (6,8,9) or the ball (2) can be replaced. If it is necessary to change the shaft (1) or its O-rings (7), then the ball should be removed. Pressing down will then free the shaft. Please beware that excessively tightening the seal holder will increase the valve actining torque which in turn may cause problems with motorized actuators.

When reassembling the valve, lubricate the seals with vaseline or silicone. Never use greases or mineral oils.

REGULACIÓN Y MANTENIMIENTO DE LA VÁLVULA

Es posible realizar el mantenimiento de cualquiera de los extremos de la línea conectados a la válvula manteniendo la instalación bajo presión. Simplemente cerrando la válvula, ésta actuará como tapón en cualquiera de los dos sentidos. Las operaciones a continuación descritas se realizarán siempre sin fluido en la línea.

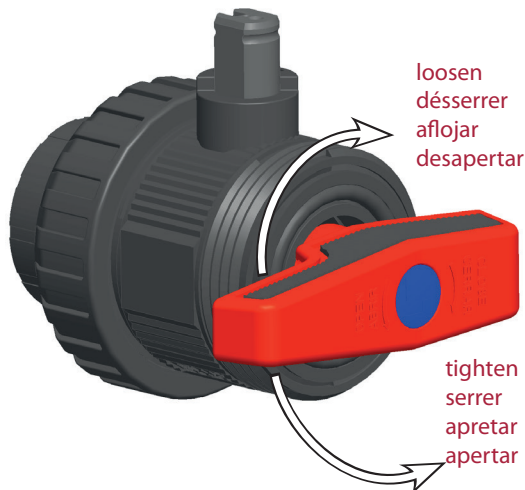
La válvula está ajustada en fábrica para un correcto y prolongado funcionamiento. No obstante, es posible reajustar la fuerza de apriete de la junta de cierre sobre la bola cuando las condiciones de uso lo requieran. Esta operación se llevará a cabo con ayuda de la maneta (4) que se adjunta en la parte inferior de la válvula.

Para ello desmonte las tuercas (3) de la válvula y extráigala de su alojamiento. Introduzca la maneta (4) en la ranura que a tal efecto tiene el portajuntas (13) y gírela en sentido antihorario para apretar la junta y horario para aflojarla.

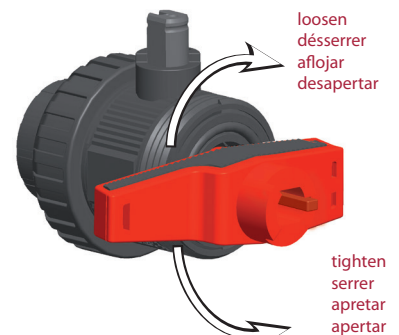
En caso se desgaste de algún componente de la válvula, podrá ser sustituido desmontando el conjunto del cuerpo de la válvula. Para ello proceda igual que con la regulación pero gire en sentido horario hasta que el portajuntas quede libre. Llegado este punto podrá sustituir cualquiera de las juntas del cuerpo (6,8,9) o la bola (2). Si fuera necesario sustituir el eje (1) o sus juntas (7) debería extraer la bola. Nótese que un apriete excesivo sobre el portajuntas puede influir en el par de accionamiento lo que puede perjudicar a los actuadores de válvulas motorizadas.

El montaje se realiza siguiendo el proceso inverso pero teniendo siempre la precaución de lubricar las juntas con vaselina neutra o silicona. No utilizar grasas o aceites minerales.

D32 (1") -
D110 (4")



D16 (3/8") -
D25 (3/4")



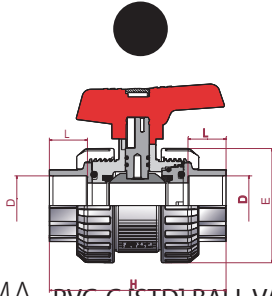
CP. **61ST**. SF6. MA - PVC-C [STD] BALL VALVE

[STD] ball valve

- PVC-C body
- Female solvent socket
- ASTM series
- Ball seat in PTFE
- O-Rings in food grade EPDM
- Black dot

Válvula de bola [STD]

- Cuerpo en PVC-C
- Encolar hembra
- Serie ASTM
- Juntas asiento bola en PTFE
- Anillos tóricos en EPDM alim.
- Distintivo negro



D	DN	PN	REF.	CODE
3/8"	15	16	36 61 900 MA	62195
1/2"	15	16	36 61 901 MA	62196
3/4"	20	16	36 61 902 MA	62197
1"	25	16	36 61 903 MA	62198
1 1/4"	32	16	36 61 904 MA	62199
1 1/2"	40	16	36 61 905 MA	62200
2"	50	16	36 61 906 MA	62201
2 1/2"	65	10	36 61 907 MA	62202
3"	80	10	36 61 908 MA	62203
4"	100	10	36 61 911 MA	62204

L	H	E
13	87	50
16	87	50
19	101	61
22	122	70
26	135	81
31	149	96
38	174	118
44	216	146
51	256	176
63	359	228

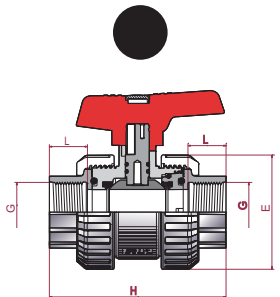
CP. **61ST**. FT5. MA - PVC-C [STD] BALL VALVE

[STD] ball valve

- PVC-C body
- NPT female thread
- Ball seat in PTFE
- O-Rings in food grade EPDM
- Black dot

Válvula de bola [STD]

- Cuerpo en PVC-C
- Rosca hembra NPT
- Juntas asiento bola en PTFE
- Anillos tóricos en EPDM alim.
- Distintivo negro



G	DN	PN	REF.	CODE
3/8"	15	16	36 61 800	62282
1/2"	15	16	36 61 801	62283
3/4"	20	16	36 61 802	62284
1"	25	16	36 61 803	62285
1 1/4"	32	16	36 61 804	62286
1 1/2"	40	16	36 61 805	62287
2"	50	16	36 61 806	62288
2 1/2"	65	10	36 61 807	62289
3"	80	10	36 61 808	62290
4"	100	10	36 61 811	62291

L	H	E
13	87	50
16	87	50
19	101	61
22	122	70
26	135	81
31	149	96
38	174	118
44	216	146
51	256	176
63	359	228

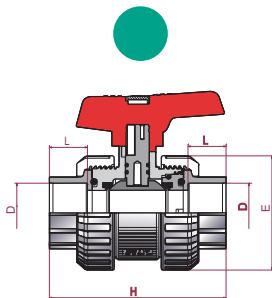
CP. **61ST**. SF7. MA - PVC-C [STD] BALL VALVE

[STD] ball valve

- PVC-C body
- Female solvent socket
- ASTM series
- Ball seat in PTFE
- O-Rings in FPM
- Green dot

Válvula de bola [STD]

- Cuerpo en PVC-C
- Encolar hembra
- Serie ASTM
- Juntas asiento bola en PTFE
- Anillos tóricos en FPM
- Distintivo verde



D	DN	PN	REF.	CODE
1/2"	15	16	36 61 901 AV	59376
3/4"	20	16	36 61 902 AV	59377
1"	25	16	36 61 903 AV	59378
1 1/4"	32	16	36 61 904 AV	59379
1 1/2"	40	16	36 61 905 AV	59380
2"	50	16	36 61 906 AV	59381
2 1/2"	65	10	36 61 907 AV	59382
3"	80	10	36 61 908 AV	59383
4"	100	10	36 61 911 AV	59384

L	H	E
16	87	50
19	101	61
22	122	70
26	135	81
31	149	96
38	174	118
44	216	146
51	256	176
63	359	228

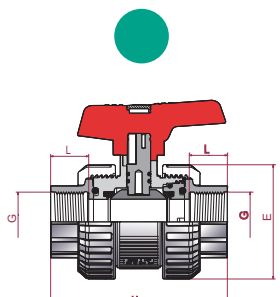
CP. **61ST**. FT7. MA - PVC-C [STD] BALL VALVE

[STD] ball valve

- PVC-C body
- NPT female thread
- Ball seat in PTFE
- O-Rings in FPM
- Green dot

Válvula de bola [STD]

- Cuerpo en PVC-C
- Rosca hembra NPT
- Juntas asiento bola en PTFE
- Anillos tóricos en FPM
- Distintivo verde



G	DN	PN	REF.	CODE
1/2"	15	16	36 61 801 VI	62293
3/4"	20	16	36 61 802 VI	62294
1"	25	16	36 61 803 VI	62295
1 1/4"	32	16	36 61 804 VI	62296
1 1/2"	40	16	36 61 805 VI	62297
2"	50	16	36 61 806 VI	62298
2 1/2"	65	10	36 61 807 VI	62299
3"	80	10	36 61 808 VI	62300
4"	100	10	36 61 809 VI	62301

L	H	E
16	87	50
19	101	61
22	122	70
26	135	81
31	149	96
38	174	118
44	216	146
51	256	176
63	359	228

PVC-C BALL VALVES - INDUSTRIAL SERIES

VÁLVULAS DE BOLA PVC-C - SERIE INDUSTRIAL



Sizes	Solvent cement D16 - D110 (DN10-DN100) Threaded 3/8" - 4"	
Standards	Solvent socket - Metric, British Standard, ASTM, JIS Threaded - BSP, NPT Flanges: ISO Compression - metric, IPS, CTS	EN ISO 1452, EN ISO 15493, BS 4346-1, ASTM D 2467, JIS K 6743 ISO 228-1, ASTM D 2464 EN 558-1
Working pressure	@ 20°C (73°F) D16 - D63 (3/8" - 2"): PN 16 (240 psi) D75 - D110 (2 1/2" - 4"): PN 10 (150 psi)	
Materials	O-rings: EPDM / FPM	Ball seats: PTFE
Characteristics	<ul style="list-style-type: none"> • "Antiblock" system that avoids ball blockage. • 100% factory tested. • Available in PVC-U or Corzan® PVC-C. • Threaded seal carrier. • It allows the disassembling of the valve while maintaining system pressure. • Union ends for easy installation and removal. • Good mechanical strength. • Resistance to many inorganic chemicals. • Excellent flow characteristics. 	<ul style="list-style-type: none"> • Sistema "Antiblock" que evita el bloqueo de la bola. • Probadas al 100% en fábrica. • Disponibles en PVC-U y Corzan® PVC-C. • Portajuntas roscado. • Permite el desmontaje de la válvula manteniendo la instalación bajo presión. • Manguitos de unión pensados para su fácil instalación y mantenimiento. • Buena resistencia mecánica. • Resistencia a múltiples sustancias químicas inorgánicas. • Excelentes características de conducción.
Certifications / regulations	Ball valve design regulation - EN ISO 16135	

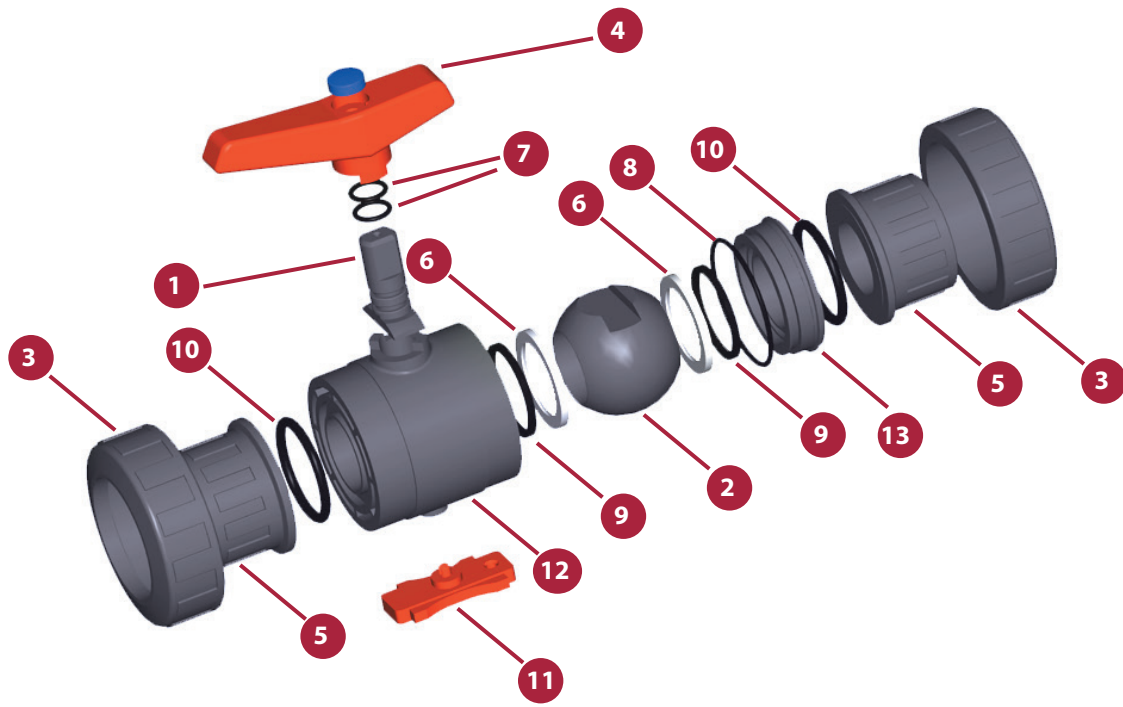
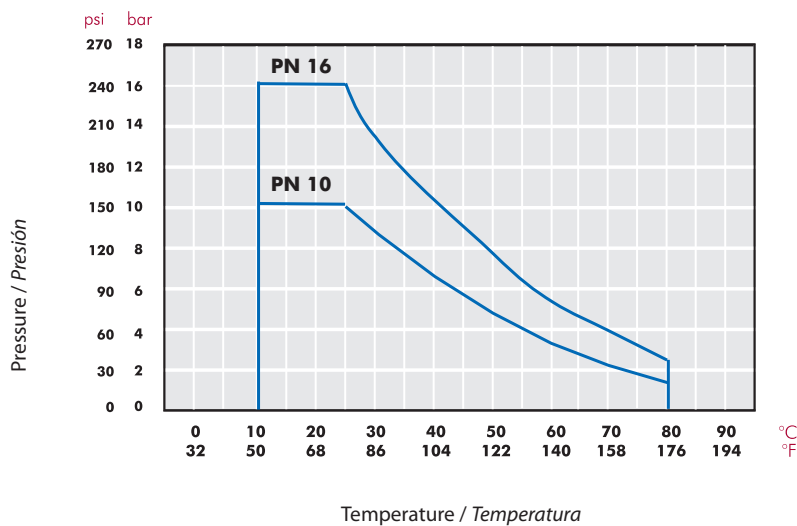


FIG.	Parts	Despiece	Material
1	Shaft	Eje	PVC-C
2	Ball	Bola	PVC-C
3	Union nut	Tuerca	PVC-C
4	Handle	Conjunto maneta	PP
5	End connector	Manguito enlace	PVC-C
6	Ball seat	Asiento bola	PTFE
7	Shaft o-ring	Junta eje	EPDM / FPM
8	Body o-ring	Junta cuerpo	EPDM / FPM
9	Dampener seal	Junta amortiguación	EPDM / FPM
10	End connector o-ring	Junta manguito	EPDM / FPM
11	Adjusting tool	Llave de regulación	ABS
12	Body	Cuerpo	PVC-C
13	Seal-carrier	Portajuntas	PVC-C

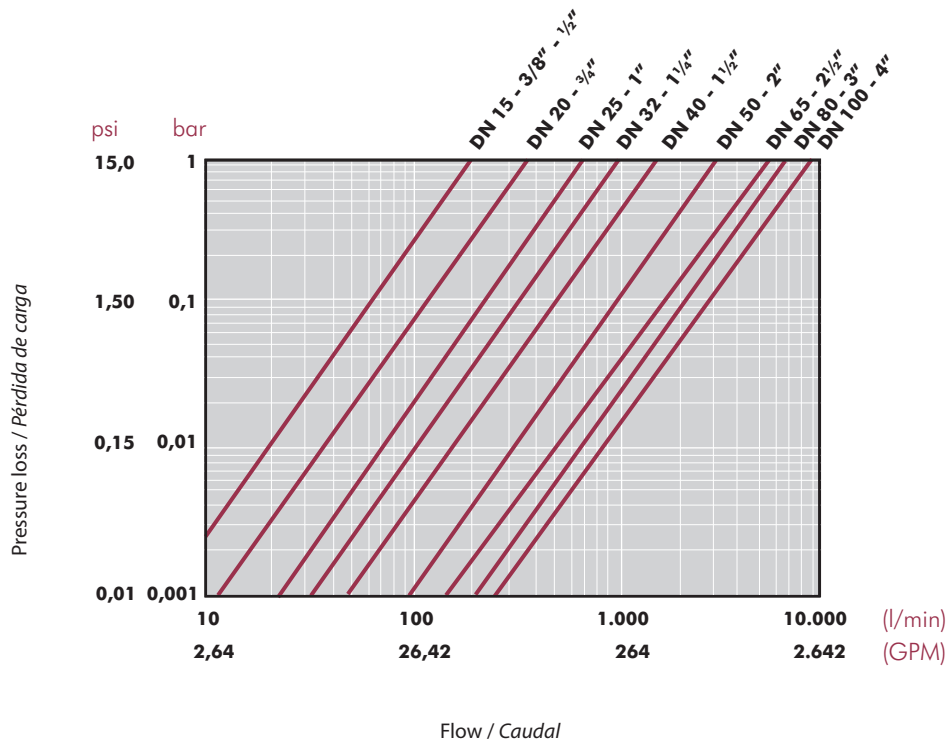
PRESSURE / TEMPERATURE GRAPH
DIAGRAMA PRESIÓN / TEMPERATURA



Life: 25 years
 Hydrostatic maximum pressure a component may withstand in continuous service (without overpressure)

Vida útil: 25 años
 Presión hidrostática máxima que un componente es capaz de soportar en servicio continuo (sin sobrepresión)

PRESSURE LOSS DIAGRAM
DIAGRAMA DE PÉRDIDAS DE CARGA



RELATIVE FLOW
FLUJO RELATIVO

D	16-3/8"	20-1/2"	25-3/4"	32-1"	40-1 1/4"	50-1 1/2"	63-2"	75-2 1/2"	90-3"	110-4"
DN	10	15	20	25	32	40	50	65	80	100
Kv ₁₀₀	75	190	380	690	980	1.600	3.000	5.500	6.800	8900
Cv	5,3	13,3	26,6	48,3	68,6	112	210,1	385,2	476,2	623,2

$Cv = Kv_{100} / 14,28$
 Kv_{100} (l/min, $\Delta p = 1$ bar)
 Cv (GPM, $\Delta p = 1$ psi)

TORQUE GRAPH
DIAGRAMA DE PAR

D	16-3/8"	20-1/2"	25-3/4"	32-1"	40-1 1/4"	50-1 1/2"	63-2"	75-2 1/2"	90-3"	110-4"
DN	10	15	20	25	32	40	50	65	80	100
Nm	1	1	2	3,5	3,5	5	15	25	45	60
in/lb	8,9	8,9	17,7	31	31	44,3	132,8	221,3	398,3	531

Operating torque values at rated pressure (PN) and 20 °C in as new direct from the factory condition. Installation and operating conditions (pressure and temperature) will affect these values. The actuator that is required for an automatic operation must be calculated according to some safety factors that were determined in life tests carried out in the factory.

Los valores de par de giro se determinan a presión nominal (PN) y a 20 °C, en condiciones de salida de fábrica. Las condiciones de instalación y operación (presión y temperatura) afectarán a estos valores. El actuador requerido para automatizar el giro debe ser calculado teniendo en cuenta ciertos coeficientes de seguridad que han sido determinados en pruebas de fatiga realizadas en fábrica.

ASSEMBLY INSTRUCTIONS

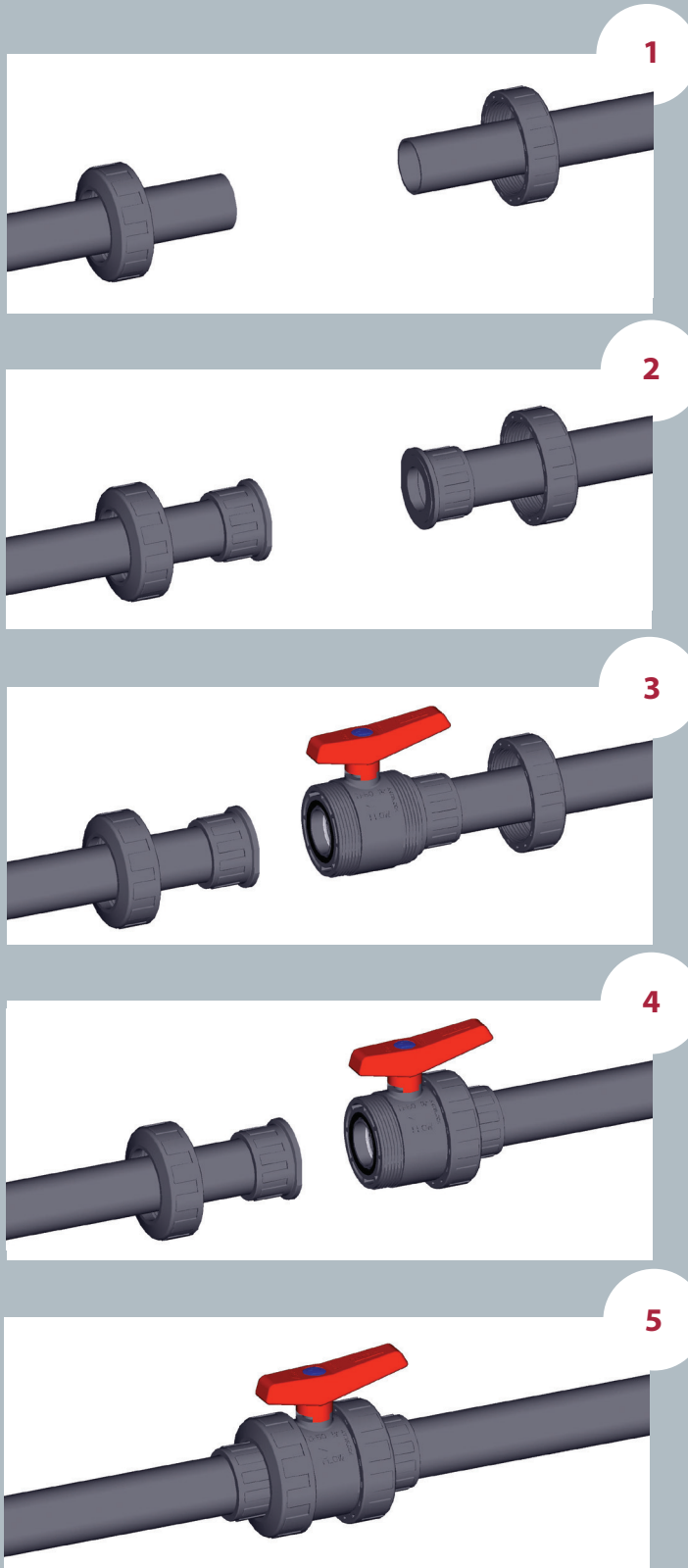
Solvent socket or threaded unions

Loosen the valve union nuts (3) and separate these and the end connectors (5) from the valve body. Pass the pipe through the nuts and then place the bushes over the end of the pipe. The socket unions should be glued onto the pipe using a PVC-U or PVC-C adhesive and pressure should not be applied to the system until a drying period of at least 1 hour per bar of working pressure has elapsed. In the case of threaded unions, PTFE tape should be applied to the male threads. The pipes can now be attached to the valve by hand tightening down the nuts.

INSTRUCCIONES DE MONTAJE

Uniones encoladas o roscadas

Afloje las tuercas (3) de la válvula y sepárelas de los manguitos (5). Introduzca las tuercas en los tubos y a continuación fije los manguitos en los extremos del tubo. Las uniones encoladas se realizarán con un adhesivo para tubos de PVC-U o PVC-C rígido y no se aplicará presión hasta transcurridas al menos 1 hora por bar. En las uniones roscadas se colocará cinta de PTFE en las roscas macho. A continuación ya podrá colocarse la válvula entre los manguitos y apretar a mano las tuercas sobre la válvula.



SEAL-CARRIER

Industrial Series - Threaded seal-carrier

Industrial Series feature a threaded seal-carrier instead of the push-fit system. The threaded seal-carrier allows for upstream maintenance without emptying the system.

A closed valve with a push-fit seal-carrier will not withstand system pressure: when the nut is disassembled, the seal-carrier gets free.

On the other side, a valve with a threaded seal-carrier will supports the system pressure thanks to the thread.

With Cepex valves, it is possible to disassemble the valve (only upstream) to carry out installation maintenance.

PORTAJUNTAS

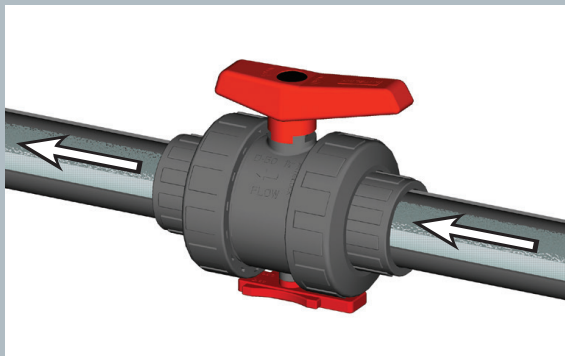
Serie Industrial - Portajuntas roscado

La Serie Industrial, al llevar el portajuntas roscado en vez de estar insertado a presión, permite el mantenimiento aguas arriba sin necesidad de vaciar el sistema.

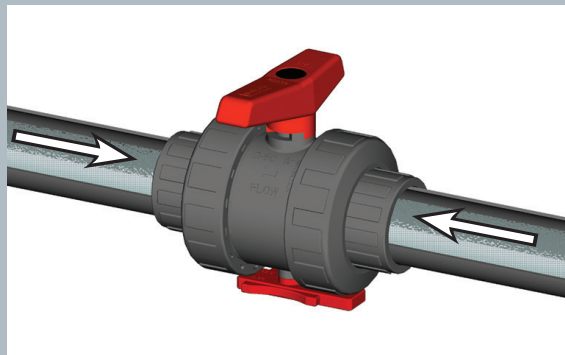
Con un portajuntas a presión, la presión del sistema (con la válvula cerrada) hace que éste salte al intentar desmontar la válvula.

Con un portajuntas roscado, al desmontar la válvula, la rosca aguanta toda la presión del sistema sin ceder.

Ahora podemos desmontar la válvula (en su parte aguas arriba) para realizar el mantenimiento de la instalación.

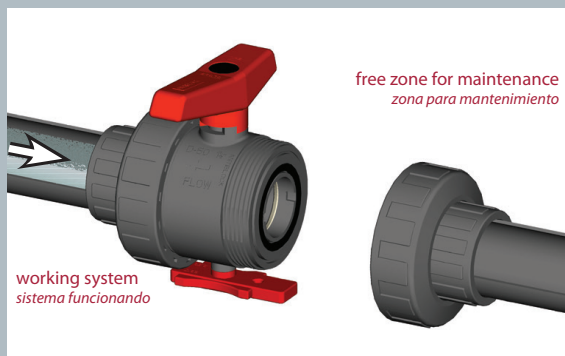


Fluid comes from the pump and goes through the open valve.
El fluido sale de la bomba y pasa por la válvula abierta.



When the valve is closed, fluid exerts pressure in both directions.

Cerrando la válvula, el fluido ejerce presión en ambos lados.



With the threaded seal-carrier, we are able to isolate the pump zone for maintenance. The thread is supporting the pressure of the system.

Con el portajuntas roscado, podemos aislar la zona de la bomba para su mantenimiento. La rosca aguanta la presión del sistema.

ADJUSTMENT AND MAINTENANCE OF THE VALVES

Provided that there is no pressure in the circuit, with the valve closed maintenance can be carried out on any component in the valve line.

The following steps can be carried out while maintaining system pressure.

The valve is factory adjusted to ensure correct operation over long periods of time. Nevertheless, it is possible to readjust the clamping force on the ball if it is required. This operation is carried out by using the adjusting tool (11) which is attached to the bottom of the valve.

To carry out this operation it is first necessary to disassemble the two nuts and remove the valve. Introduce the adjusting tool (11) into the slot which forms part of the seal-carrier (13) and turn the adjusting tool either (a) clockwise to loosen the seal or (b) anticlockwise to tighten the seal.

When the time comes to replace any part of the valve, this can be easily done. First, use the adjusting tool to turn the seal-carrier (13) clockwise until it comes free. At this stage, any of the body O-rings (6,8,9) or the ball (2) can be replaced. If it is necessary to change the shaft (1) or its O-rings (7), then the ball should be removed. It is also necessary to remove the handle (4) by loosening the screw which is found below the press-in logo in its centre. Pressing down will then free the shaft. Please beware that excessively tightening the seal holder will increase the valve actuating torque which in turn may cause problems with motorized actuators.

When reassembling the valve, lubricate the seals with vaseline or silicone. Never use greases or mineral oils.

REGULACIÓN Y MANTENIMIENTO DE LA VÁLVULA

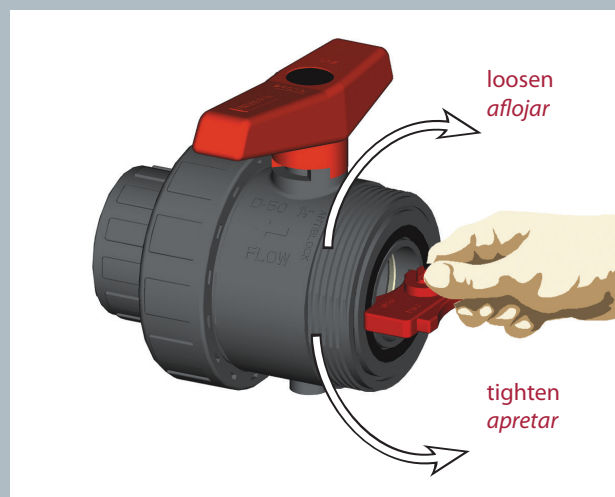
Es posible realizar el mantenimiento de cualquiera de los extremos de la línea conectados a la válvula manteniendo la instalación bajo presión. Simplemente cerrando la válvula, ésta actuará como tapón en cualquiera de los dos sentidos. Las operaciones a continuación descritas se realizarán siempre sin fluido en la línea.

La válvula está ajustada en fábrica para un correcto y prolongado funcionamiento. No obstante, es posible reajustar la fuerza de apriete de la junta de cierre sobre la bola cuando las condiciones de uso lo requieran. Esta operación se llevará a cabo con ayuda de la llave de regulación (11) que se adjunta en la parte inferior de la válvula.

Para ello desmonte las tuercas (3) de la válvula y extráigala de su alojamiento. Introduzca la llave (11) en la ranura que a tal efecto tiene el portajuntas (13) y gírela en sentido antihorario para apretar la junta y horario para aflojarla.

En caso se desgaste de algún componente de la válvula, podrá ser sustituido desmontando el conjunto del cuerpo de la válvula. Para ello proceda igual que con la regulación pero gire en sentido horario hasta que el portajuntas quede libre. Llegado este punto podrá sustituir cualquiera de las juntas del cuerpo (6,8,9) o la bola (2). Si fuera necesario sustituir el eje (1) o sus juntas (7) debería extraer la bola y además quitar la maneta (4) aflojando el tornillo que se encuentra bajo el logotipo y de esta forma, presionando hacia abajo, liberará el eje. Nótese que un apriete excesivo sobre el portajuntas puede influir en el par de accionamiento lo que puede perjudicar a los actuadores de válvulas motorizadas.

El montaje se realiza siguiendo el proceso inverso pero teniendo siempre la precaución de lubricar las juntas con vaselina neutra o silicona. No utilizar grasas o aceites minerales.

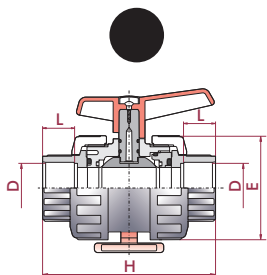


CP. 73. SF6. MA - PVC-C INDUSTRIAL BALL VALVE
"Industrial" ball valve

- Corzan® PVC-C body
- Female solvent socket
- ASTM series
- Seating joints in PTFE
- O-Rings in EPDM
- Black dot

Válvula de bola "Industrial"

- Cuerpo en Corzan® PVC-C
- Encolar hembra
- Serie ASTM
- Juntas asiento bola en PTFE
- Anillos tóricos en EPDM
- Distintivo negro



D	DN	PN	REF.	CODE
½"	15	16	35 73 901 MA	25216
¾"	20	16	35 73 902 MA	25217
1"	25	16	35 73 903 MA	25218
1¼"	32	16	35 73 904 MA	25219
1½"	40	16	35 73 905 MA	25220
2"	50	16	35 73 906 MA	25221
2½"	65	10	35 73 907 MA	22245
3"	80	10	35 73 908 MA	22246
4"	100	10	35 73 911 MA	22247

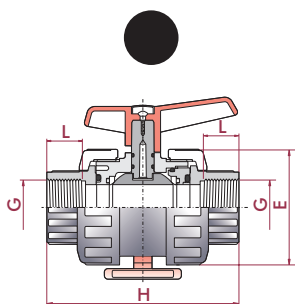
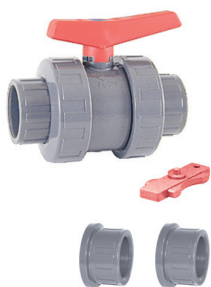
L	H	E
16	84	52
19	108	62
22	124	70
26	142	84
31	167	104
38	198	120
44	232	148
51	269	179
63	359	228

CP. 73. FT6. MA - PVC-C INDUSTRIAL BALL VALVE COMBO
"Industrial" ball valve

- Corzan® PVC-C body
- NPT female thread
- Seating joints in PTFE
- O Rings in EPDM
- Black dot

Válvula de bola "Industrial"

- Cuerpo en Corzan® PVC-C
- Rosca hembra NPT
- Juntas asiento bola en PTFE
- Anillos tóricos en EPDM
- Distintivo negro



G	DN	PN	REF.	CODE
½"	15	16	35 73 801 D *	22230
¾"	20	16	35 73 802 D *	22231
1"	25	16	35 73 803 D *	22232
1¼"	32	16	35 73 804 D *	22233
1½"	40	16	35 73 805 D *	22234
2"	50	16	35 73 806 D *	22235
2½"	65	10	35 73 807	22248
3"	80	10	35 73 808	22249
4"	100	10	35 73 811	22250

L	H	E
16	84	52
19	108	62
22	124	70
26	142	84
31	167	104
38	198	120
44	232	148
51	269	179
63	359	228

COMBO VERSION

- 1½" - 2": valve with solvent socket unions + spare threaded unions in the same box
- 2½" - 4": only solvent sokcet or threaded unions assem- bled

VERSIÓN COMBO

- 1½" - 2": manguitos enlace encolar montados + manguitos enlace rosca añadidos en caja
- 2½" - 4": sólo manguitos enlace encolar o rosca

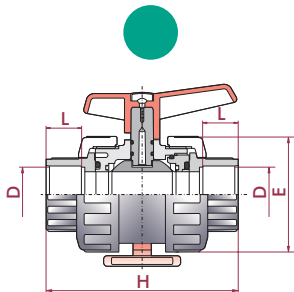
CP. 73. SF7. MA - PVC-C INDUSTRIAL BALL VALVE

"Industrial" ball valve

- Corzan® PVC-C body
- Female solvent socket
- ASTM series
- Seating joints in PTFE
- O-Rings in FPM
- Green dot

Válvula de bola "Industrial"

- Cuerpo en Corzan® PVC-C
- Encolar hembra
- Serie ASTM
- Juntas asiento bola en PTFE
- Anillos tóricos en FPM
- Distintivo verde



D	DN	PN	REF.	CODE
½"	15	16	35 73 901 AV	25216VIT
¾"	20	16	35 73 902 AV	25217VIT
1"	25	16	35 73 903 AV	25218VIT
1¼"	32	16	35 73 904 AV	25219VIT
1½"	40	16	35 73 905 AV	25220VIT
2"	50	16	35 73 906 AV	25221VIT
2½"	65	10	35 73 907 AV	22245VIT
3"	80	10	35 73 908 AV	22246VIT
4"	100	10	35 73 911 AV	22247VIT

L	H	E
16	84	52
19	108	62
22	124	70
26	142	84
31	167	104
38	198	120
44	232	148
51	269	179
63	359	228

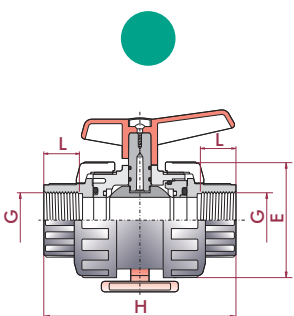
CP. 73. FT7. MA - PVC-C INDUSTRIAL BALL VALVE COMBO

"Industrial" ball valve

- Corzan® PVC-C body
- NPT female thread
- Seating joints in PTFE
- O-Rings in FPM
- Green dot

Válvula de bola "Industrial"

- Cuerpo en Corzan® PVC-C
- Rosca hembra NPT
- Serie métrica
- Juntas asiento bola en PTFE
- Anillos tóricos en FPM
- Distintivo verde



G	DN	PN	REF.	CODE
½"	15	16	35 73 801 VID *	22230VIT
¾"	20	16	35 73 802 VID *	22231VIT
1"	25	16	35 73 803 VID *	22232VIT
1¼"	32	16	35 73 804 VID *	22233VIT
1½"	40	16	35 73 805 VID *	22234VIT
2"	50	16	35 73 806 VID *	22235VIT
2½"	65	10	35 73 807 VI	22248VIT
3"	80	10	35 73 808 VI	22249VIT
4"	100	10	35 73 811 VI	22250VIT

L	H	E
16	84	52
19	108	62
22	124	70
26	142	84
31	167	104
38	198	120
44	232	148
51	269	179
63	359	228

COMBO VERSION

- 1½" - 2": valve with solvent socket unions + spare threaded unions in the same box
- 2½" - 4": only solvent socket or threaded unions assembled

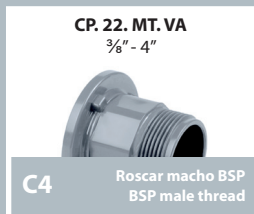
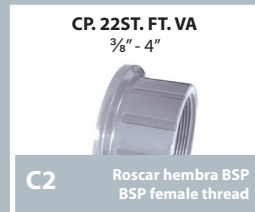
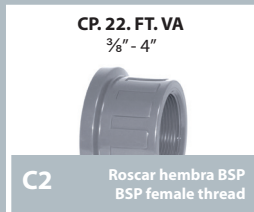
VERSIÓN COMBO

- 1½" - 2": manguitos enlace encolar montados + manguitos enlace rosca añadidos en caja
- 2½" - 4": sólo manguitos enlace encolar o rosca

ConnectIT System

Connection possibilities - Cepex ball valves

Posibilidades de conexión - Válvulas de bola Cepex

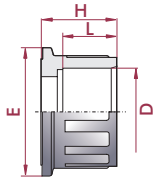


Connections for PVC-C Industrial ball valves
 Conexiones para válvulas de bola Industrial en PVC-C

CP. 22. SF. VA. MA - BALL VALVE CONNECTIONS STANDARD & INDUSTRIAL

Bush connection
 • Female solvent socket
 • ASTM Series

Manguito conexión
 • Encolar hembra
 • Serie ASTM



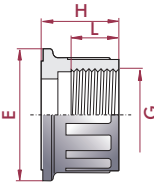
D	DN	PN	REF.	CODE
½"	15	16	35 22 901 AV	22284
¾"	20	16	35 22 902 AV	22285
1"	25	16	35 22 903 AV	22286
1¼"	32	16	35 22 904 AV	22287
1½"	40	16	35 22 905 AV	22288
2"	50	16	35 22 906 AV	22289
2½"	65	10	35 22 907 AV	22290
3"	80	10	35 22 908 AV	22291
4"	100	10	35 22 911 AV	22292

L	H	E
16	21	37
19	27	43
22	30	51
26	36	62
31	43	73
38	51	93
44	57	118
51	64	144
63	82	188

CP. 22. FT. VA. MA - BALL VALVE CONNECTIONS STANDARD & INDUSTRIAL

Bush connection
 • NPT female thread

Manguito conexión
 • Rosca hembra NPT



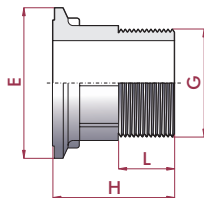
G	DN	PN	REF.	CODE
½"	15	10	35 22 801 VA	22302
¾"	20	10	35 22 802 VA	22303
1"	25	10	35 22 803 VA	22304
1¼"	32	10	35 22 804 VA	22305
1½"	40	10	35 22 805 VA	22306
2"	50	10	35 22 806 VA	22307
2½"	65	10	35 22 807 VA	22308
3"	80	10	35 22 808 VA	22309
4"	100	10	35 22 811 VA	22310

L	H	E
16	21	37
19	27	43
22	30	51
26	36	62
31	43	73
35	51	93
42	57	118
42	64	144
61	82	188

CP. 22. MT. VA. MA - BALL VALVE CONNECTIONS STANDARD & INDUSTRIAL

Bush connection
 • NPT male thread

Manguito conexión
 • Rosca macho NPT



G	DN	PN	REF.	CODE
½"	15	10	35 22 821 VA	22319
¾"	20	10	35 22 822 VA	22320
1"	25	10	35 22 823 VA	22321
1¼"	32	10	35 22 824 VA	22322
1½"	40	10	35 22 825 VA	22323
2"	50	10	35 22 826 VA	22324
2½"	65	10	35 22 827 VA	22325
3"	80	10	35 22 828 VA	22326
4"	100	10	35 22 831 VA	22327

L	H	E
12	35	37
16	42	43
20	49	51
22	53	62
22	57	73
28	73	93
30	79	118
33	91	144
-	-	-

Connections for PVC-C [STD] ball valves
 Conexiones para válvulas de bola [STD] en PVC-C

CP. **22ST**. SF. VA. MA - BALL VALVE CONNECTIONS [STD]

Bush connection

- Female solvent socket
- ASTM Series

Manguito conexión

- Encolar hembra
- Serie ASTM



D	DN	PN	REF.	CODE
½"	15	16	30 22 901 AV MA	62206
¾"	20	16	30 22 902 AV MA	62207
1"	25	16	30 22 903 AV MA	62208
1¼"	32	16	30 22 904 AV MA	62209
1½"	40	16	30 22 905 AV MA	62210
2"	50	16	30 22 906 AV MA	62211
2½"	65	10	30 22 907 AV MA	62212
3"	80	10	30 22 908 AV MA	62213
4"	100	10	30 22 909 AV MA	62214

L	H	E
16	21	37
19	27	43
22	30	51
26	36	62
31	43	73
38	51	93
44	57	118
51	64	144
63	82	188

CP. **22ST**. FT. VA. MA - BALL VALVE CONNECTIONS [STD]

Bush connection

- NPT female thread

Manguito conexión

- Rosca hembra NPT



G	DN	PN	REF.	CODE
½"	15	10	36 22 801	62303
¾"	20	10	36 22 802	62304
1"	25	10	36 22 803	62305
1¼"	32	10	36 22 804	62306
1½"	40	10	36 22 805	62307
2"	50	10	36 22 806	62308
2½"	65	10	36 22 807	62309
3"	80	10	36 22 808	62310
4"	100	10	36 22 811	62311

L	H	E
16	21	37
19	27	43
22	30	51
26	36	62
31	43	73
35	51	93
42	57	118
42	64	144
61	82	188

PVC-C CHECK VALVES - SPRING SERIES

VÁLVULAS ANTI-RETORNO PVC-C - SERIE MUELLE



Sizes	Solvent cement D16 - D110 (DN10 - DN100) Threaded 3/8" - 4"	
Standards	Solvent socket - Metric, British standard, ASTM, JIS Threaded - BSP, NPT	EN ISO 1452, EN ISO 15493, BS 4346-1, ASTM D 2467, JIS K 6743 ISO 228-1, ASTM D 2464
Working pressure	@ 20°C (73°F) D16-D63 (3/8" - 2"): PN 16 (240 psi) D75 - D110 (2"1/2 - 4"): PN 10 (150 psi)	
Minimum working pressure		
Materials	O-rings: EPDM / FPM	
Characteristics	<ul style="list-style-type: none"> • May be used either vertically and horizontally. • 100% factory tested. • Easy installation and maintenance. • Available in PVC-U and Corzan® PVC-C. • Resistance to many inorganic chemicals. • Excellent flow characteristics. 	<ul style="list-style-type: none"> • Se pueden usar indistintamente verticalmente o horizontalmente. • Probadas al 100% en fábrica. • Fácil instalación y mantenimiento. • Disponibles en PVC-U y Corzan® PVC-C. • Resistencia a múltiples sustancias químicas inorgánicas. • Excelentes características de conducción.
Certifications / regulations	Check valve design regulation - ISO 16137:2006	

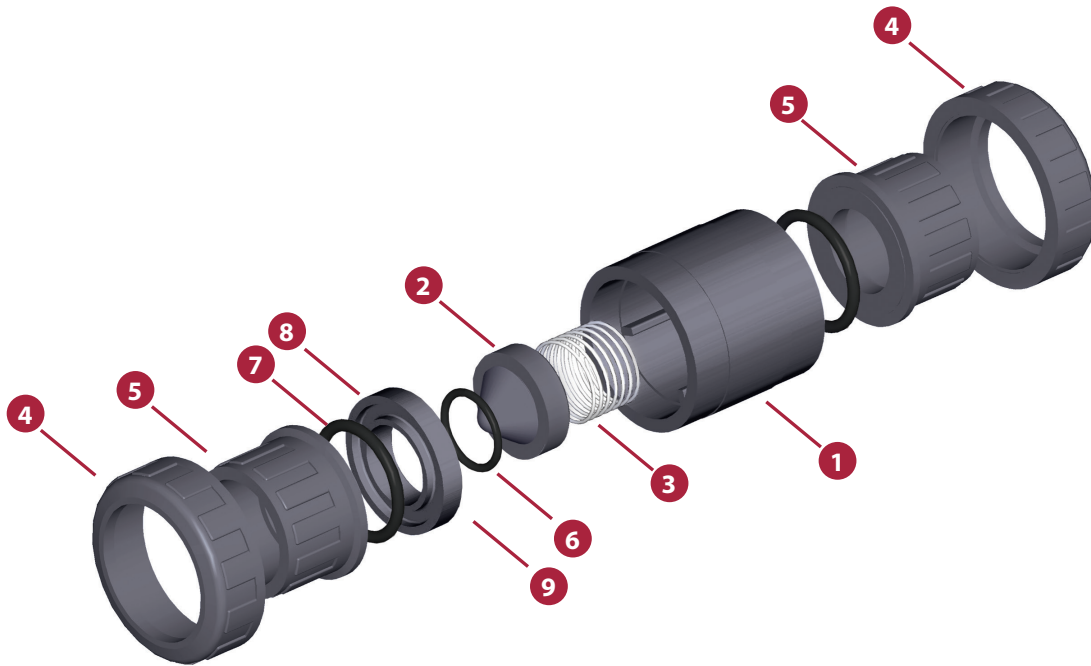
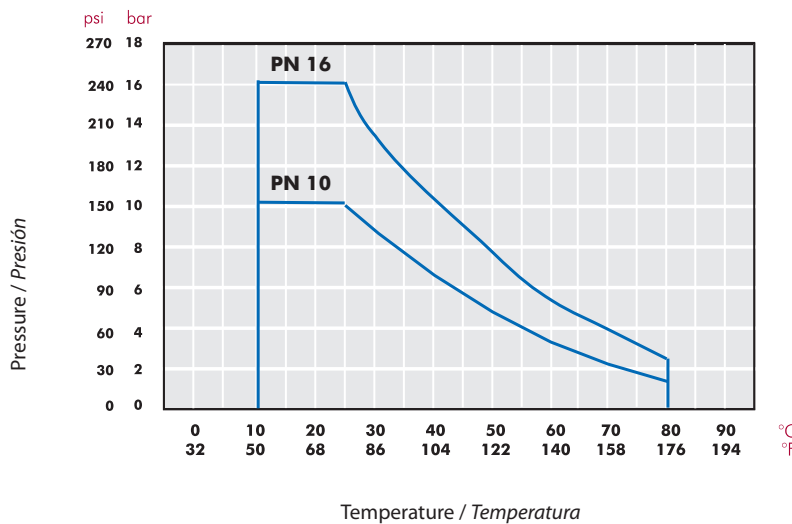


FIG.	Parts	Despiece	Material
1	Body	Cuerpo	PVC-C
2	Cone	Cono de cierre	PVC-C
3	Spring	Muelle	Stainless Steel AISI 302 / PTFE coated *
4	Union nut	Tuerca	PVC-C
5	End connector	Manguito enlace	PVC-C
6	Cone o-ring	Junta cono	EPDM / FPM
7	End connector o-ring	Junta manguito	EPDM / FPM
8	Seal-carrier	Portajuntas	PVC-C
9	Body o-ring	Junta cuerpo	EPDM / FPM

PRESSURE / TEMPERATURE GRAPH
DIAGRAMA PRESIÓN / TEMPERATURA

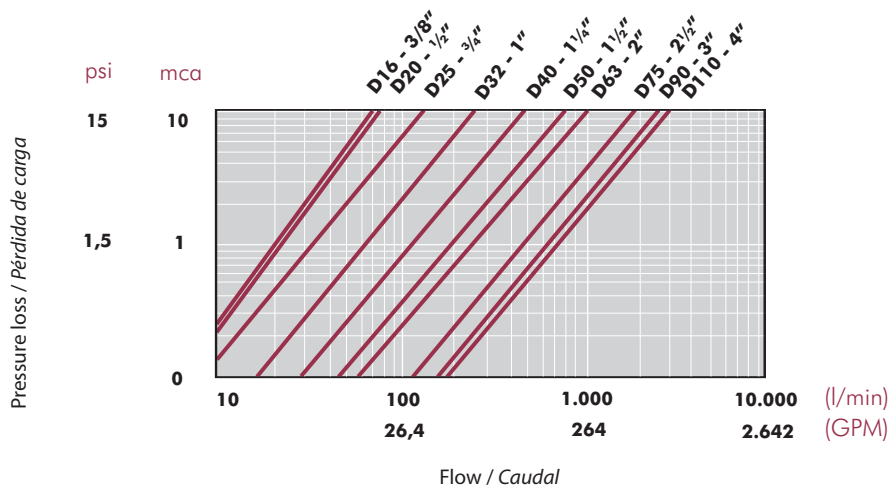


Life: 25 years
 Hydrostatic maximum pressure a component may withstand in continuous service (without overpressure)

Vida útil: 25 años
Presión hidrostática máxima que un componente es capaz de soportar en servicio continuo (sin sobrepresión)

PRESSURE LOSS DIAGRAM

DIAGRAMA DE PÉRDIDAS DE CARGA



RELATIVE FLOW

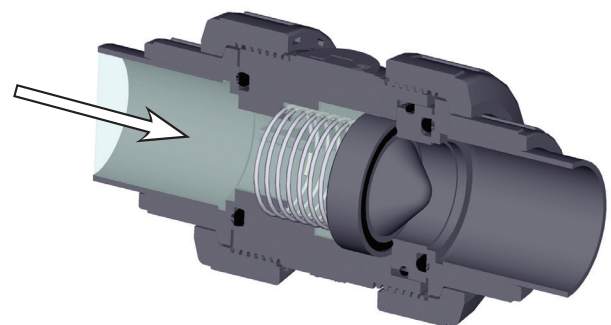
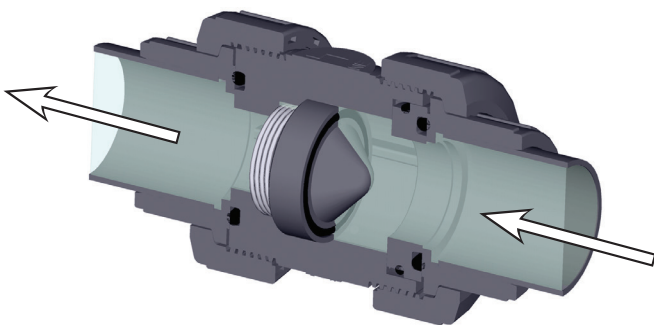
FLUJO RELATIVO

D	20-1/2"	25-3/4"	32-1"	40-1 1/4"	50-1 1/2"	63-2"	75-2 1/2"
DN	15	20	25	32	40	50	65
Kv_{100}	68	133	208	383	667	850	1533
Cv	5	9	15	27	47	60	107

$Cv = Kv_{100} / 14,28$
 Kv_{100} (l/min, $\Delta p = 1$ bar)
 Cv (GPM, $\Delta p = 1$ psi)

Open
Abierto

Closed
Cerrado



OPENING PRESSURE

PRESIÓN DE APERTURA

Minimum pressure: opening start
Maximum pressure: open valve

Minimum pressure: opening start
Maximum pressure: open valve

D	P (bar) Minimum opening	P (bar) Maximum opening	P (psi) Minimum opening	P (psi) Maximum opening
20	0,11	0,19	1,57	2,71
25	0,035	0,067	0,5	0,95
32	0,042	0,077	0,6	1,1
40	0,038	0,069	0,54	0,98
50	0,063	0,088	0,9	1,25
63	0,038	0,060	0,54	0,85
75	0,031	0,060	0,44	0,85
90	0,025	0,060	0,35	0,85

ASSEMBLY INSTRUCTIONS

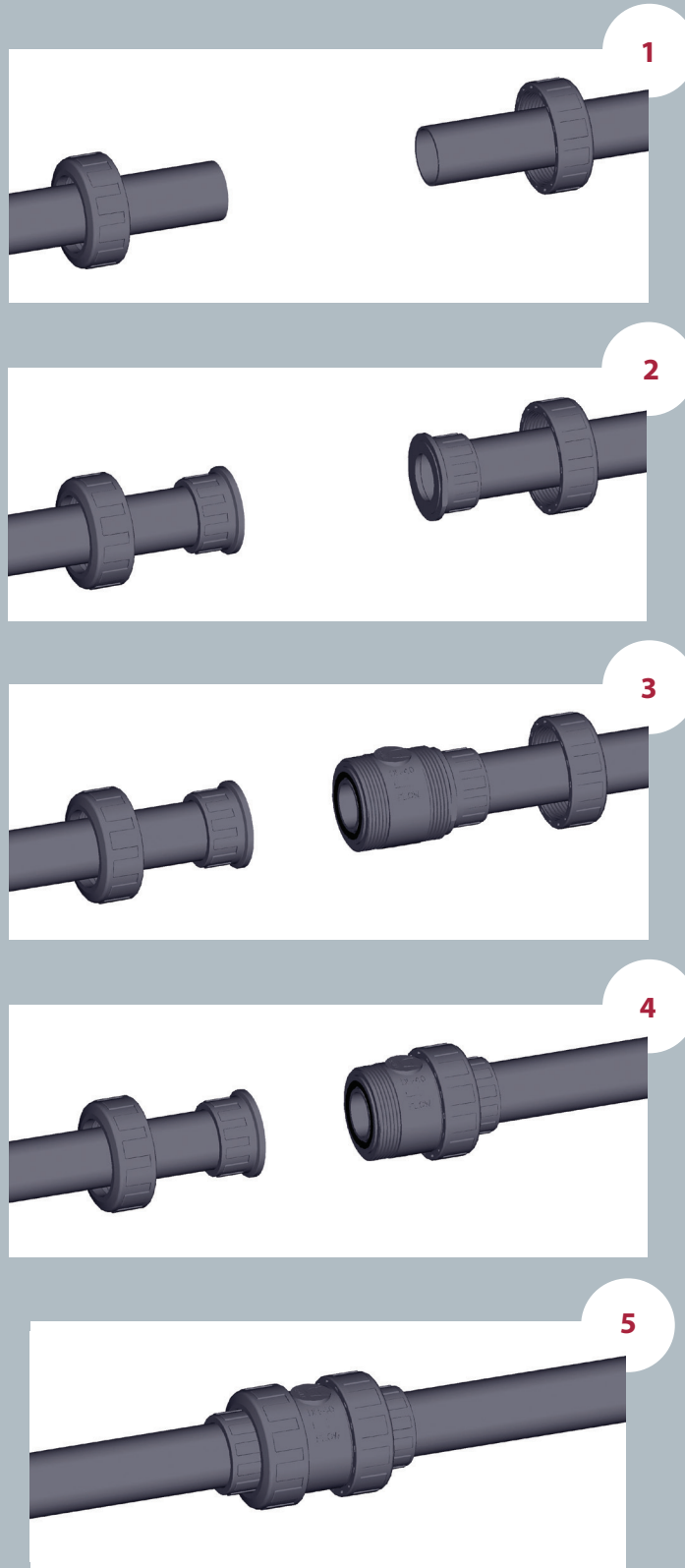
Solvent socket or threaded unions

Loosen the valve union nuts (4) and separate these and the end connectors (5) from the valve body. Pass the pipe through the nuts and then place the bushes over the end of the pipe. The socket unions should be guided onto the pipe using a PVC-U or PVC-C adhesive and pressure should not be applied to the system until a drying period of at least 1 hour per bar of working pressure has elapsed. In the case of threaded unions, PTFE tape should be applied to the male threads. The pipes can now be attached to the valve by hand tightening down the nuts.

INSTRUCCIONES DE MONTAJE

Uniones encoladas o roscadas

Afloje las tuercas (4) de la válvula y sepárelas de los manguitos (5). Introduzca las tuercas en los tubos y a continuación fije los manguitos en los extremos del tubo. Las uniones encoladas se realizarán con un adhesivo para tubos de PVC-U o PVC-C rígido y no se aplicará presión hasta transcurridas al menos 1 hora por bar. En las uniones roscadas se colocará cinta de PTFE en las roscas macho. A continuación ya podrá colocarse la válvula entre los manguitos y apretar a mano las tuercas sobre la válvula.



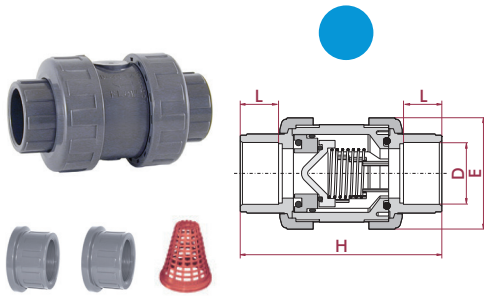
CP-S. 67. SF1. MA - PVC-C SPRING CHECK VALVE COMBO

Spring check valve

- Corzan® PVC-C body
- Female solvent socket
- ASTM series
- O-Rings in EPDM

Válvula anti-retorno

- Cuerpo en Corzan® PVC-C
- Encolar hembra
- Serie ASTM
- Anillos tóricos en EPDM



D	DN	PN	REF.	CODE
½"	15	16	35 67 801 D *	22259
¾"	20	16	35 67 802 D *	22260
1"	25	16	35 67 803 D *	22261
1¼"	32	16	35 67 804 D *	22262
1½"	40	16	35 67 805 D *	22263
2"	50	16	35 67 806 D *	22264
2½"	65	10	35 67 907 MAR *	22271
3"	80	10	35 67 908 MAR *	22272
4"	80	10	35 67 910 MAR *	24304

L	H	E
16	84	52
19	108	62
22	119	70
26	142	84
31	162	94
38	192	117
44	232	148
51	269	179
51	269	179

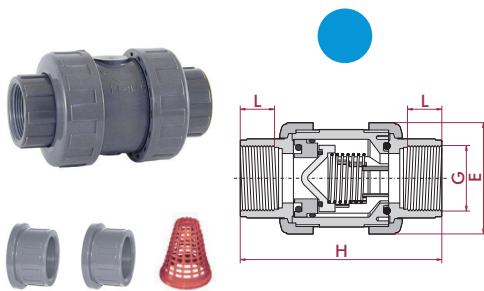
CP-S. 67. FT1. MA - PVC-C SPRING CHECK VALVE COMBO

Spring check valve

- Corzan® PVC-C body
- NPT female thread
- O-Rings in EPDM

Válvula anti-retorno

- Cuerpo en Corzan® PVC-C
- Roscar hembra NPT
- Anillos tóricos en EPDM



G	DN	PN	REF.	CODE
½"	15	16	35 67 801 D *	22259
¾"	20	16	35 67 802 D *	22260
1"	25	16	35 67 803 D *	22261
1¼"	32	16	35 67 804 D *	22262
1½"	40	16	35 67 805 D *	22263
2"	50	16	35 67 806 D *	22264
2½"	65	10	35 67 807 R *	22273
3"	80	10	35 67 808 R *	22274
4"	80	10	35 67 810 R *	24303

L	H	E
16	84	52
19	108	62
22	119	70
26	142	84
31	162	94
38	192	117
44	232	148
51	269	179
51	269	179

COMBO VERSION

- 1½" - 2": valve with solvent socket unions + spare threaded unions in the same box
- 2½" - 4": only solvent sokcet or threaded unions assembled including the grid for transforming the check valve in foot valve

VERSIÓN COMBO

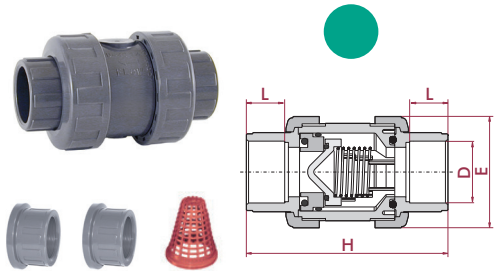
- 1½" - 2": manguitos enlace encolar montados + manguitos enlace roscar añadidos en caja
- 2½" - 4": sólo manguitos enlace encolar o roscar e incluyen rejilla para transformación en válvula de pie

CP-S. 67. SF4. MA - PVC-C SPRING CHECK VALVE COMBO
Spring check valve

- Corzan® PVC-C body
- Female solvent socket
- ASTM series
- O-Rings in FPM

Válvula anti-retorno

- Cuerpo en Corzan® PVC-C
- Encolar hembra
- Serie ASTM
- Anillos tóricos en FPM



D	DN	PN	REF.	CODE
20	15	16	35 67 801 VID *	22259VIT
25	20	16	35 67 802 VID *	22260VIT
32	25	16	35 67 803 VID *	22261VIT
40	32	16	35 67 804 VID *	22262VIT
50	40	16	35 67 805 VID *	22263VIT
63	50	16	35 67 806 VID *	22264VIT
75	65	10	35 67 907 AVR *	22271VIT
90	80	10	35 67 908 AVR *	22272VIT
110	80	10	35 67 910 AVR *	24304VIT

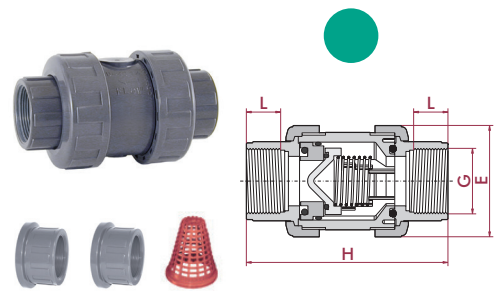
L	H	E
16	84	52
19	108	62
22	119	70
26	142	84
31	162	94
38	192	117
44	232	148
51	269	179
51	269	179

CP-S. 67. FT4. MA - PVC-C SPRING CHECK VALVE COMBO
Spring check valve

- Corzan® PVC-C body
- NPT female thread
- O-Rings in FPM

Válvula anti-retorno

- Cuerpo en Corzan® PVC-C
- Roscar hembra NPT
- Anillos tóricos en FPM



G	DN	PN	REF.	CODE
½"	15	16	35 67 801 VID *	22259VIT
¾"	20	16	35 67 802 VID *	22260VIT
1"	25	16	35 67 803 VID *	22261VIT
1¼"	32	16	35 67 804 VID *	22262VIT
1½"	40	16	35 67 805 VID *	22263VIT
2"	50	16	35 67 806 VID *	22264VIT
2½"	65	10	35 67 807 VIR *	22273VIT
3"	80	10	35 67 808 VIR *	22274VIT
4"	80	10	35 67 810 VIR *	24303VIT

L	H	E
16	84	52
19	108	62
22	119	70
26	142	84
31	162	94
38	192	117
44	232	148
51	269	179
51	269	179

COMBO VERSION

- 1½" - 2": valve with solvent socket unions + spare threaded unions in the same box
- 2½" - 4": only solvent socket or threaded unions assembled including the grid for transforming the check valve in foot valve

VERSIÓN COMBO

- 1½" - 2": manguitos enlace encolar montados + manguitos enlace roscar añadidos en caja
- 2½" - 4": sólo manguitos enlace encolar o roscar e incluyen rejilla para transformación en válvula de pie

PVC-C CHECK VALVES - BALL SERIES

VÁLVULAS ANTI-RETORNO PVC-C - SERIE BOLA



Sizes	Solvent cement D20 - D110 (DN15 - DN100) Threaded ½" - 4"	
Standards	Solvent socket - Metric, British standard, ASTM, JIS Threaded - BSP, NPT	EN ISO 1452, EN ISO 15493, BS 4346-1, ASTM D 2467, JIS K 6743 ISO 228-1, ASTM D 2464
Working pressure	@ 20°C (73°F) D20-D63 (½" - 2"): PN 16 (240 psi) D75 - D110 (2½" - 4"): PN 10 (150 psi)	
Minimum return pressure	0,2 bar (3 psi) Minimal downstream pressure to keep the valve closed in horizontal position. Presión mínima aguas abajo para mantener la válvula cerrada en caso de instalación horizontal.	
Materials	O-rings: EPDM / FPM	
Characteristics	<ul style="list-style-type: none"> • Completely made in plastic - corrosion free. • 100% factory tested. • Excellent flow rate. • Easy installation and maintenance. • May be used either vertically and horizontally. • Available in PVC-U and Corzan® PVC-C. • Resistance to many inorganic chemicals. • Excellent flow characteristics. 	<ul style="list-style-type: none"> • Fabricada completamente en plástico - libre de corrosión. • Probadas al 100% en fábrica. • Excelente coeficiente de caudal. • Fácil instalación y mantenimiento. • Se pueden usar indistintamente verticalmente o horizontalmente. • Disponibles en PVC-U y Corzan® PVC-C. • Resistencia a múltiples sustancias químicas inorgánicas. • Excelentes características de conducción.
Certifications / regulations	Check valve design regulation - ISO 16137:2006	

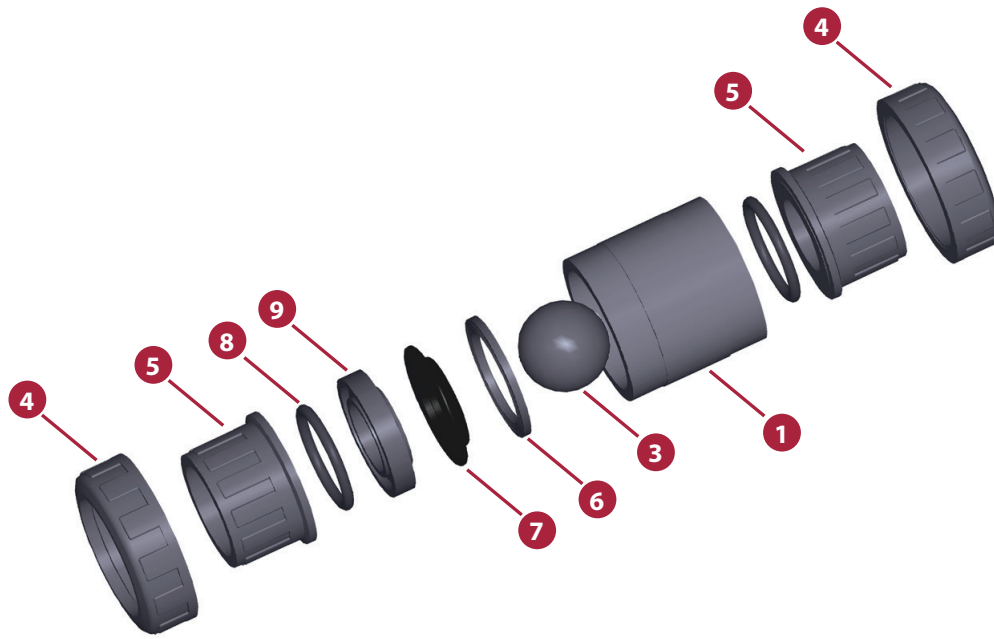
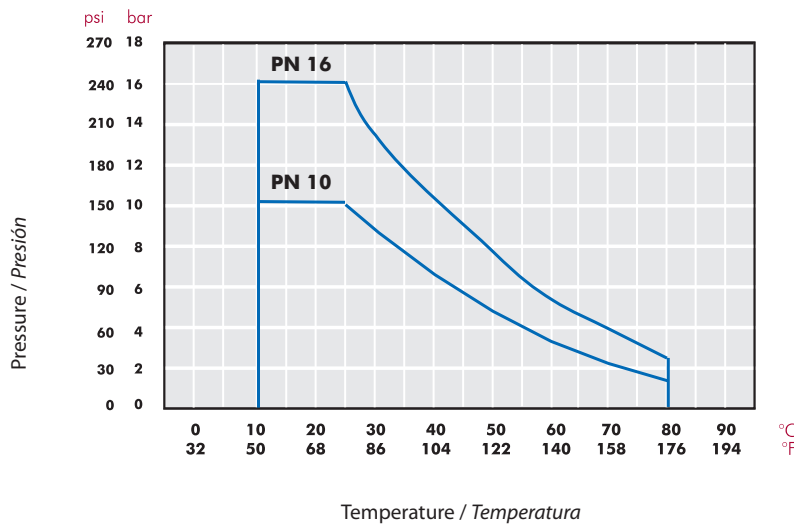


FIG.	Parts	Despiece	Material
1	Body	Cuerpo	PVC-C
3	Ball	Bola	PVC-C
4	Union nut	Tuerca	PVC-C
5	End connector	Manguito enlace	PVC-C
6	Closing ring	Anillo de cierre	PVC-C
7	Body o-ring	Junta cuerpo	EPDM / FPM
8	End connector o-ring	Junta manguito	EPDM / FPM
9	Seal-carrier	Portajuntas	PVC-C

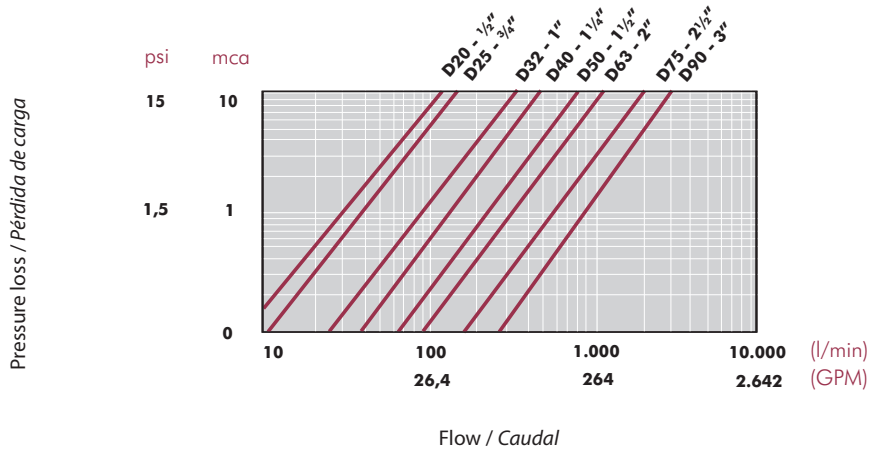
PRESSURE / TEMPERATURE GRAPH
DIAGRAMA PRESIÓN / TEMPERATURA



Life: 25 years
 Hydrostatic maximum pressure a component may withstand in continuous service (without overpressure)

Vida útil: 25 años
 Presión hidrostática máxima que un componente es capaz de soportar en servicio continuo (sin sobrepresión)

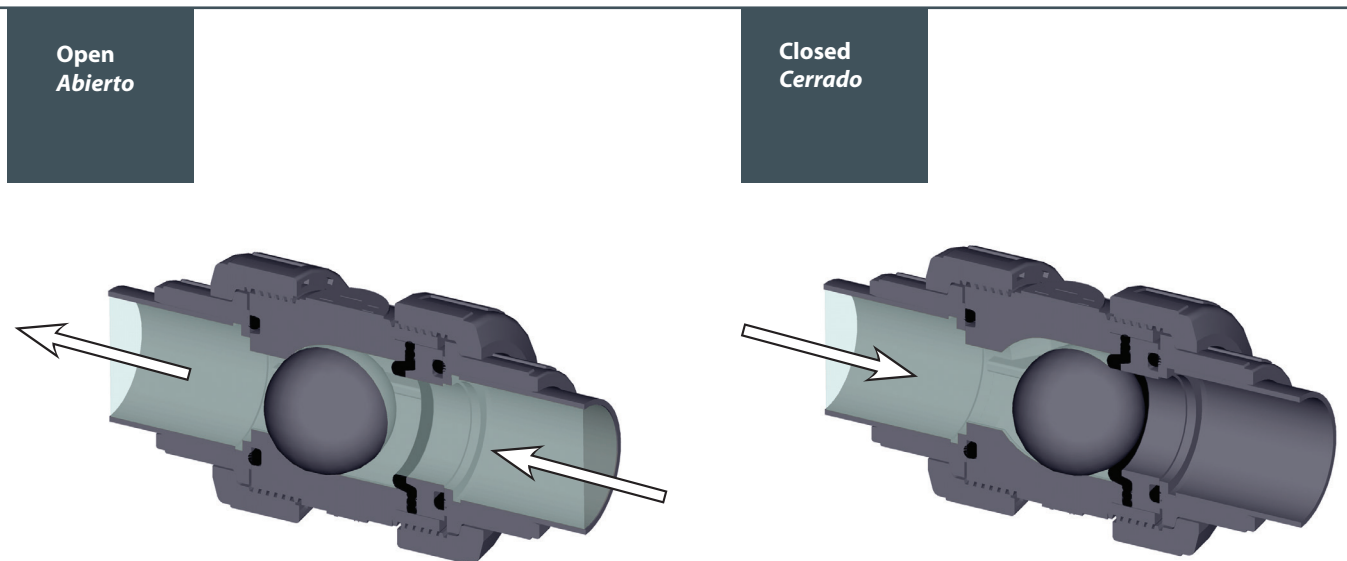
PRESSURE LOSS DIAGRAM
DIAGRAMA DE PÉRDIDAS DE CARGA



RELATIVE FLOW
FLUJO RELATIVO

D	20-1/2"	25-3/4"	32-1"	40-1 1/4"	50-1 1/2"	63-2"	75-2 1/2"	90-3"
DN	15	20	25	32	40	50	65	80
K_{v100}	99	128	308	453	795	1040	1932	2754
Cv	7	9	22	32	56	73	135	193

$Cv = K_{v100} / 14,28$
 K_{v100} (l/min, $\Delta p = 1$ bar)
 Cv (GPM, $\Delta p = 1$ psi)



ASSEMBLY INSTRUCTIONS

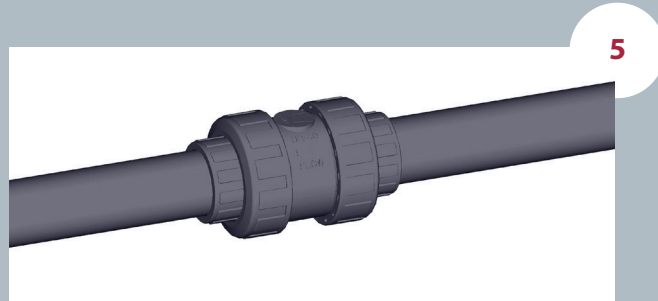
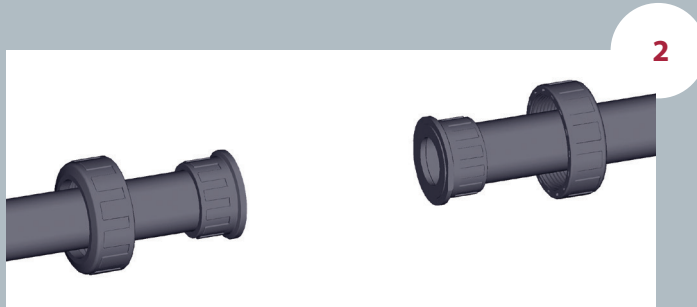
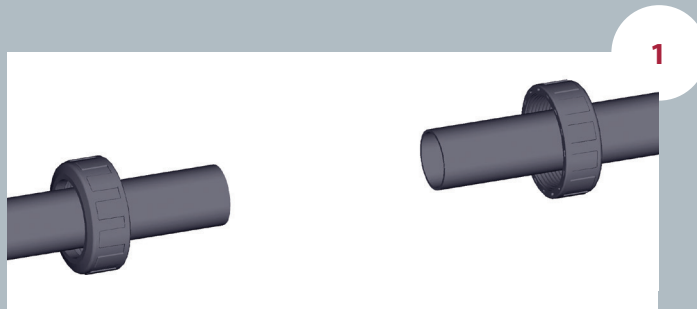
Solvent socket or threaded unions

Loosen the valve union nuts (4) and separate these and the end connectors (5) from the valve body. Pass the pipe through the nuts and then place the bushes over the end of the pipe. The socket unions should be glued onto the pipe using a PVC-U or PVC-C adhesive and pressure should not be applied to the system until a drying period of at least 1 hour per bar of working pressure has elapsed. In the case of threaded unions, PTFE tape should be applied to the male threads. The pipes can now be attached to the valve by hand tightening down the nuts.

INSTRUCCIONES DE MONTAJE

Uniones encoladas o roscadas

Afloje las tuercas (4) de la válvula y sepárelas de los manguitos (5). Introduzca las tuercas en los tubos y a continuación fije los manguitos en los extremos del tubo. Las uniones encoladas se realizarán con un adhesivo para tubos de PVC-U o PVC-C rígido y no se aplicará presión hasta transcurridas al menos 1 hora por bar. En las uniones roscadas se colocará cinta de PTFE en las roscas macho. A continuación ya podrá colocarse la válvula entre los manguitos y apretar a mano las tuercas sobre la válvula.



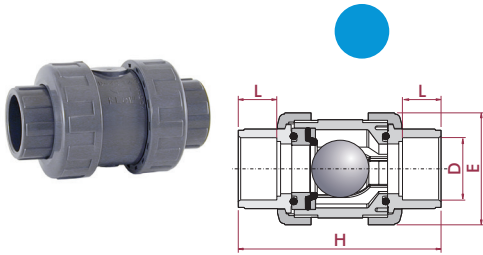
CP-B. 67. SF1. MA - PVC-C BALL CHECK VALVE

Ball check valve

- Corzan® PVC-C body
- Female solvent socket
- ASTM series
- O-Rings in EPDM

Válvula anti-retorno de bola

- Cuerpo en Corzan® PVC-C
- Encolar hembra
- Serie ASTM
- Anillos tóricos en EPDM



D	DN	PN	REF.	CODE
½"	15	16		
¾"	20	16	35 67 902 EMA	69180
1"	25	16	35 67 903 EMA	61272
1¼"	32	16	35 67 904 EMA	61273
1½"	40	16	35 67 905 EMA	72451
2"	50	16	35 67 906 EMA	67374
2½"	65	10		
3"	80	10	35 67 908 EMA	72589
4"	80	10		

L	H	E
16	84	52
19	108	62
22	119	70
26	142	84
31	162	94
38	192	117
44	232	148
51	269	179
51	269	179

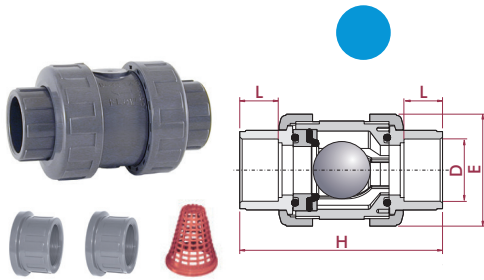
CP-B. 67. SF1. MA - PVC-C BALL CHECK VALVE COMBO

Ball check valve

- Corzan® PVC-C body
- Female solvent socket
- ASTM series
- O-Rings in EPDM

Válvula anti-retorno de bola

- Cuerpo en Corzan® PVC-C
- Encolar hembra
- Serie ASTM
- Anillos tóricos en EPDM



D	DN	PN	REF.	CODE
½"	15	16	35 67 801 ED *	27380
¾"	20	16	35 67 802 ED *	27381
1"	25	16	35 67 803 ED *	27382
1¼"	32	16	35 67 804 ED *	27383
1½"	40	16	35 67 805 ED *	27384
2"	50	16	35 67 806 ED *	27385
2½"	65	10	35 67 907 EMAR *	27397
3"	80	10	35 67 908 EMAR *	27398
4"	80	10	35 67 910 EMAR *	27433

L	H	E
16	84	52
19	108	62
22	119	70
26	142	84
31	162	94
38	192	117
44	232	148
51	269	179
51	269	179

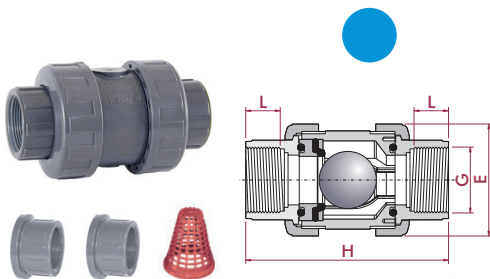
CP-B. 67. FT1. MA - PVC-C BALL CHECK VALVE COMBO

Ball check valve

- Corzan® PVC-C body
- NPT female thread
- O-Rings in EPDM

Válvula anti-retorno de bola

- Cuerpo en Corzan® PVC-C
- Roscar hembra NPT
- Anillos tóricos en EPDM



G	DN	PN	REF.	CODE
½"	15	16	35 67 801 ED *	27380
¾"	20	16	35 67 802 ED *	27381
1"	25	16	35 67 803 ED *	27382
1¼"	32	16	35 67 804 ED *	27383
1½"	40	16	35 67 805 ED *	27384
2"	50	16	35 67 806 ED *	27385
2½"	65	10	35 67 807 ER *	27392
3"	80	10	35 67 808 ER *	27393
4"	80	10	35 67 810 ER *	27432

L	H	E
16	84	52
19	108	62
22	119	70
26	142	84
31	162	94
38	192	117
44	232	148
51	269	179
51	269	179

COMBO VERSION

- 1½" - 2": valve with solvent socket unions + spare threaded unions in the same box
- 2½" - 4": only solvent socket or threaded unions assembled including the grid for transforming the check valve in foot valve

VERSIÓN COMBO

- 1½" - 2": manguitos enlace encolar montados + manguitos enlace roscar añadidos en caja
- 2½" - 4": sólo manguitos enlace encolar o roscar e incluyen rejilla para transformación en válvula de pie

CP-B. 67. SF4. MA - PVC-C BALL CHECK VALVE
Ball check valve

- Corzan® PVC-C body
- Female solvent socket
- ASTM series
- O-Rings in FPM

Válvula anti-retorno de bola

- Cuerpo en Corzan® PVC-C
- Encolar hembra
- Serie ASTM
- Anillos tóricos en FPM



D	DN	PN	REF.	CODE
½"	15	16	35 67 901 EAV	69135
¾"	20	16	35 67 902 EAV	69136
1"	25	16	35 67 903 EAV	69137
1¼"	32	16	35 67 904 EAV	69138
1½"	40	16	35 67 905 EAV	69139
2"	50	16	35 67 906 EAV	69140
2½"	65	10	35 67 907 EAV	71978
3"	80	10	35 67 908 EAV	71979
4"	80	10	35 67 910 EAV	71980

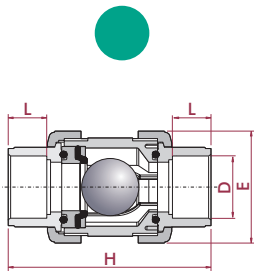
L	H	E
16	84	52
19	108	62
22	119	70
26	142	84
31	162	94
38	192	117
44	232	148
51	269	179
51	269	179

CP-B. 67. SF4. MA - PVC-C BALL CHECK VALVE COMBO
Ball check valve

- Corzan® PVC-C body
- Female solvent socket
- ASTM series
- O-Rings in FPM

Válvula anti-retorno de bola

- Cuerpo en Corzan® PVC-C
- Encolar hembra
- Serie ASTM
- Anillos tóricos en FPM



D	DN	PN	REF.	CODE
½"	15	16	35 67 801 VED *	27386
¾"	20	16	35 67 802 VED *	27387
1"	25	16	35 67 803 VED *	27388
1¼"	32	16	35 67 804 VED *	27389
1½"	40	16	35 67 805 VED *	27390
2"	50	16	35 67 806 VED *	27391
2½"	65	10	35 67 907 VEMAR *	27399
3"	80	10	35 67 908 VEMAR *	27400
4"	80	10	35 67 910 VEMAR *	27401

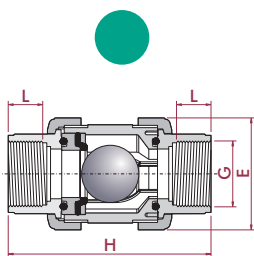
L	H	E
16	84	52
19	108	62
22	119	70
26	142	84
31	162	94
38	192	117
44	232	148
51	269	179
51	269	179

CP-B. 67. FT4. MA - PVC-C BALL CHECK VALVE COMBO
Ball check valve

- Corzan® PVC-C body
- NPT female thread
- O-Rings in FPM

Válvula anti-retorno de bola

- Cuerpo en Corzan® PVC-C
- Roscar hembra NPT
- Anillos tóricos en FPM



G	DN	PN	REF.	CODE
½"	15	16	35 67 801 VED *	27386
¾"	20	16	35 67 802 VED *	27387
1"	25	16	35 67 803 VED *	27388
1¼"	32	16	35 67 804 VED *	27389
1½"	40	16	35 67 805 VED *	27390
2"	50	16	35 67 806 VED *	27391
2½"	65	10	35 67 807 VER *	27394
3"	80	10	35 67 808 VER *	27395
4"	80	10	35 67 810 VER *	27396

L	H	E
16	84	52
19	108	62
22	119	70
26	142	84
31	162	94
38	192	117
44	232	148
51	269	179
51	269	179

COMBO VERSION

- 1½" - 2": valve with solvent socket unions + spare threaded unions in the same box
- 2½" - 4": only solvent socket or threaded unions assembled including the grid for transforming the check valve in foot valve

VERSIÓN COMBO

- 1½" - 2": manguitos enlace encolar montados + manguitos enlace rosca añadidos en caja
- 2½" - 4": sólo manguitos enlace encolar o rosca e incluyen rejilla para transformación en válvula de pie

... the most **complete** range
 ... *la gama más completa*

	Body <i>Cuerpo</i>	Disc <i>Compuerta</i>	Rubber seal <i>Junta compuerta</i>	Shaft <i>Eje</i>	Sizes <i>Medidas</i>	PN
--	-----------------------	--------------------------	---------------------------------------	---------------------	-------------------------	----

Industrial Series

PP - GR

PVC-U
PVC-C

EPDM perox.
FPM

Stainless steel

D63 - D225
(2" - 8")

10 bar
150 psi

PP handle with locking device

63 - 75

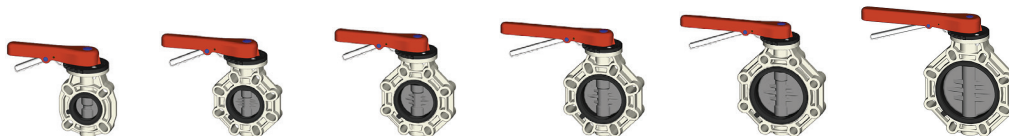
90

110

125 - 140

160

200 - 225



Industrial Series

PP - GR

PVC-U
PVC-C

EPDM perox.
FPM

Stainless steel

D63 - D225
(2" - 8")

10 bar
150 psi

Gear box

D250 - D315
(10" - 12")

6 bar
90 psi

63 - 75

90

110

125 - 140

160

200 - 225

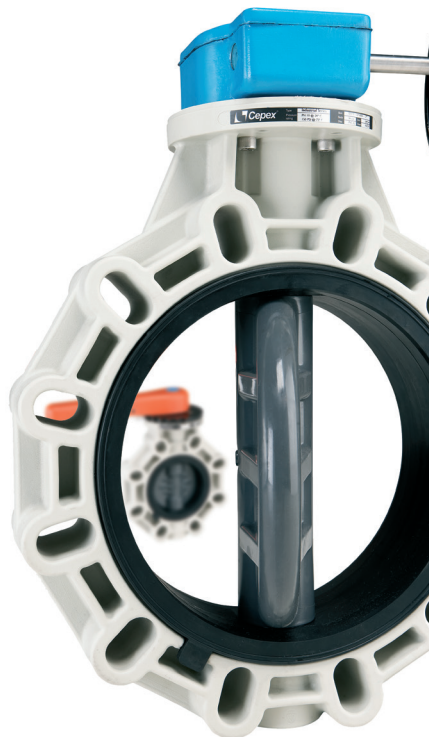
250 - 280

315



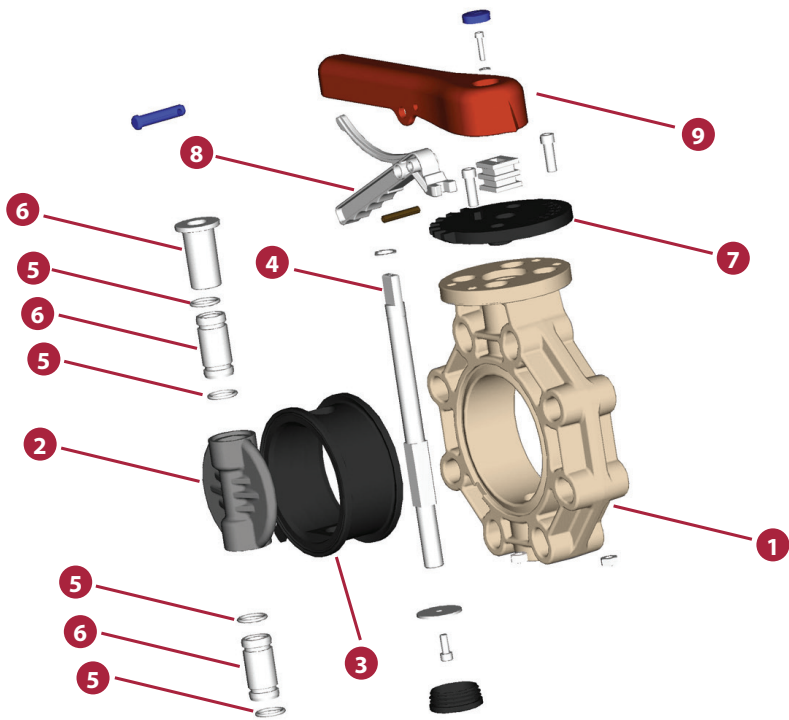
PVC-C BUTTERFLY VALVES - INDUSTRIAL SERIES

VÁLVULAS DE MARIPOSA PVC-C - SERIE INDUSTRIAL



Sizes	D63 - D315 (DN50 - DN300) 2" - 12" (DN50 - DN300)	
Standards	ISO/DIN, British Standard, ANSI/ASTM, JIS	EN 558-1 BS EN 1092-1 ANSI B.16.5 class 150 JIS B 2220
Working pressure	@ 20°C (73°F) D63-D225 (2" - 8"): PN 10 (150 psi) D250 - D315 (10" - 12"): PN 6 (90 psi)	
Materials	Gasket: EPDM perox. / FPM	Shaft: Stainless steel (AISI 630)
Characteristics	<ul style="list-style-type: none"> • One piece PP - GR body. • Disc available in different materials (PVC-U, PVC-C, PP-H). • Ideally suited for flow control using minimal piping space. • 100% factory tested. • Minimal pressure drop. • Low maintenance. • Resistance to many inorganic chemicals. • Regulable opening every 15° with position holding. • Good mechanical strength. • Built in lockout feature to prevent undesired operations. • Electric and pneumatic actuators available, and with gear box. 	<ul style="list-style-type: none"> • Cuerpo de una sola pieza en PP - GR. • Compuerta disponible en diversos materiales (PVC-U, PVC-C, PP-H). • Ideal para el control del fluido usando poco espacio. • Testadas al 100% en fábrica. • Mínima pérdida de carga. • Resistencia a múltiples sustancias químicas inorgánicas. • Apertura regulable cada 15° con fijación de posición. • Buena resistencia mecánica. • Seguro incorporado en la maneta para evitar operaciones no deseadas. • Motorizaciones eléctricas, neumáticas y reductor manual disponibles.
Certifications / regulations	Butterfly valve design regulation - ISO 16136	





GEAR BOX

It facilitates the maneuver of the valve by reducing the manual actuation torque by means of a handwheel, in addition to achieving greater precision in the case of regulation.
Reduction: 40:1

MATERIALS

- Case: Aluminium
- Shaft: Stainless steel
- Handwheel: Stainless steel

Protection: IP65

REDUCTOR MANUAL

Facilita la maniobra de la válvula reduciendo el par de accionamiento manual mediante un volante, además de conseguir mayor precisión en caso de regulación.
Reducción: 40:1

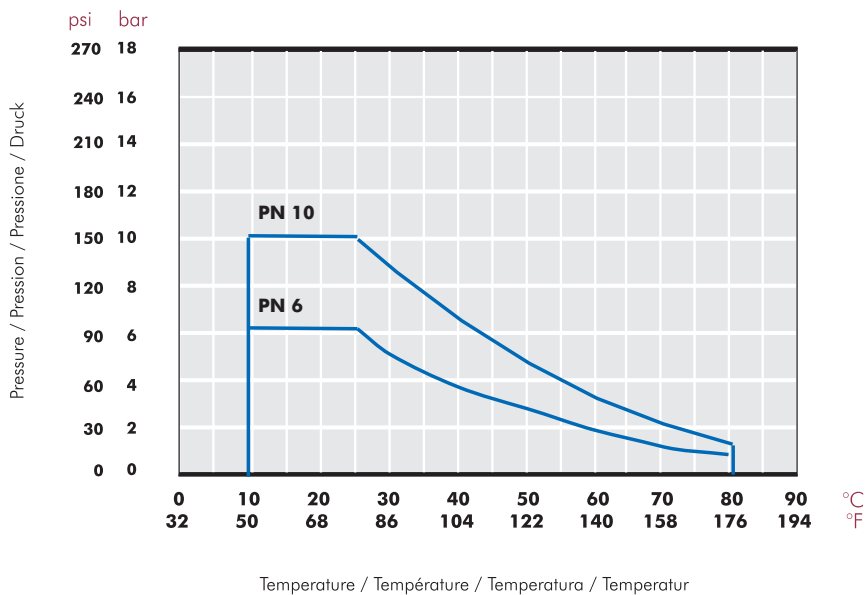
MATERIALES

- Carcasa: Aluminio
- Eje: Acero inoxidable
- Volante: Acero inoxidable

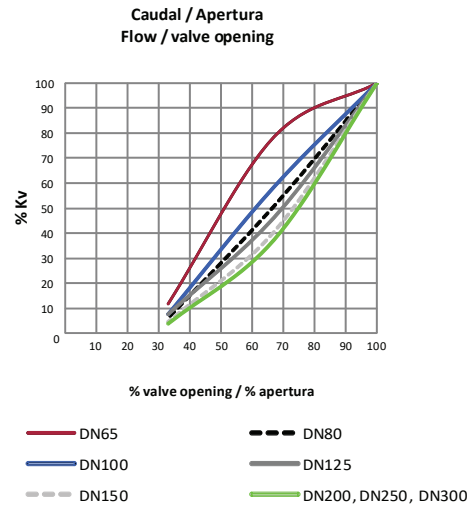
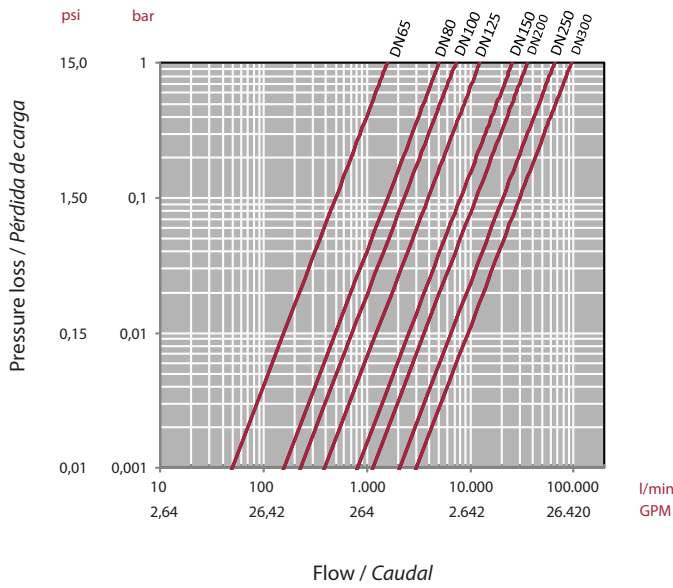
Protección: IP65

FIG.	Parts	Despiece	Material
1	Body	Cuerpo	PP - GR
2	Valve disc	Compuerta	PVC-C
3	Rubber seal	Junta compuerta	EPDM perox. / FPM
4	Shaft	Eje	AISI 630 stainless steel
5	O-ring seal	Junta eje	EPDM perox. / FPM
6	Top bearing	Casquillo guía	PP - GR
7	Throttle plate	Conjunto divisor	PP - GR
8	Lever-lock	Gatillo de la maneta	POM
9	Handle	Maneta	PP - GR
10	Gear box (optional)	Reductor manual (opcional)	Aluminium

PRESSURE / TEMPERATURE GRAPH
DIAGRAMA PRESIÓN / TEMPERATURA



PRESSURE LOSS DIAGRAM
DIAGRAMA DE PÉRDIDAS DE CARGA



RELATIVE FLOW
FLUJO RELATIVO

D	63-75 (2½")	90 (3")	110 (4")	125-140 (5")	160 (6")	200-225 (8")	250-280 (10")	315 (12")
DN	50 - 65	80	100	125	150	200	250	300
Kv100	1.568	4.980	7.212	12.320	25.447	35.778	65.222	94.660
Cv	110	349	505	863	1.134	2.505	4.567	6.629

$$Cv = Kv_{100} / 14,28$$

$$Kv_{100} \text{ (l/min, } \Delta p = 1 \text{ bar)}$$

$$Cv \text{ (GPM, } \Delta p = 1 \text{ psi)}$$

OPERATIONAL TORQUE CHART
TABLA DE PAR DE MANIOBRA

D	63-75 (2½")	90 (3")	110 (4")	125-140 (5")	160 (6")	200-225 (8")	250-280 (10")	315 (12")
DN	50 - 65	80	100	125	150	200	250	300
Nm	25	28	35	85	110	110	180	250
lb*inch	221	248	310	752	974	974	1593	2213

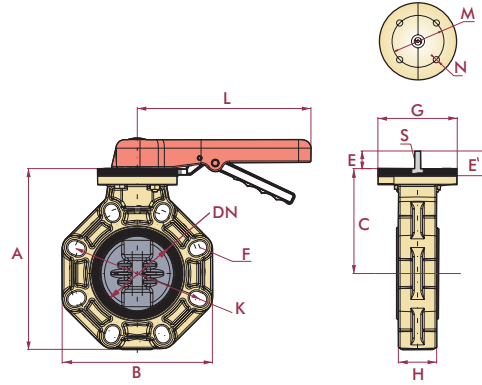
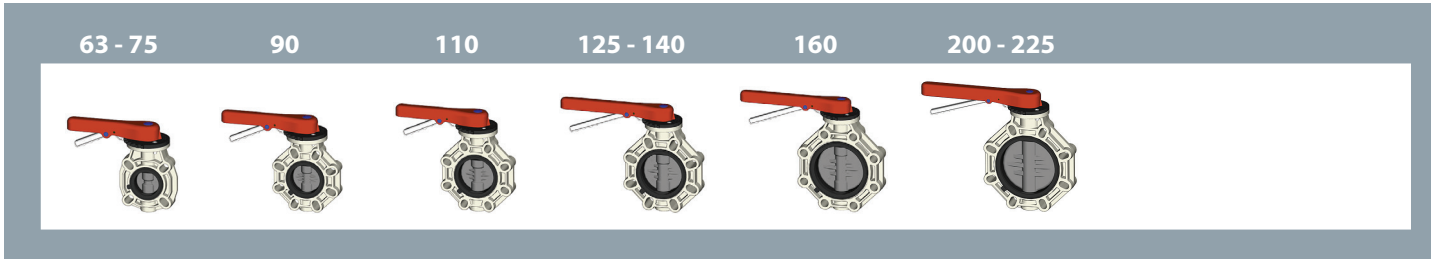
Operating torque values at rated pressure (PN) and 20 °C in as new direct from the factory condition. Installation and operating conditions (pressure and temperature) will affect these values. The actuator that is required for an automatic operation must be calculated according to some safety factors that were determined in life tests carried out in the factory.

Los valores de par de giro se determinan a presión nominal (PN) y a 20 °C, en condiciones de salida de fábrica. Las condiciones de instalación y operación (presión y temperatura) afectarán a estos valores. El actuador requerido para automatizar el giro debe ser calculado teniendo en cuenta ciertos coeficientes de seguridad que han sido determinados en pruebas de fatiga realizadas en fábrica.

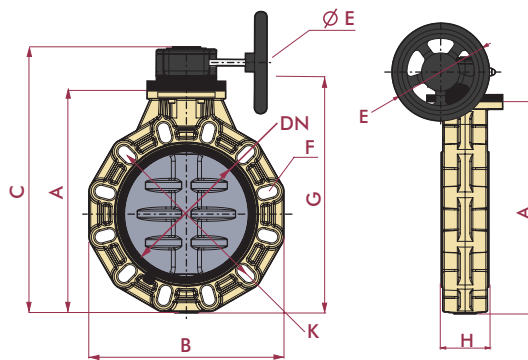
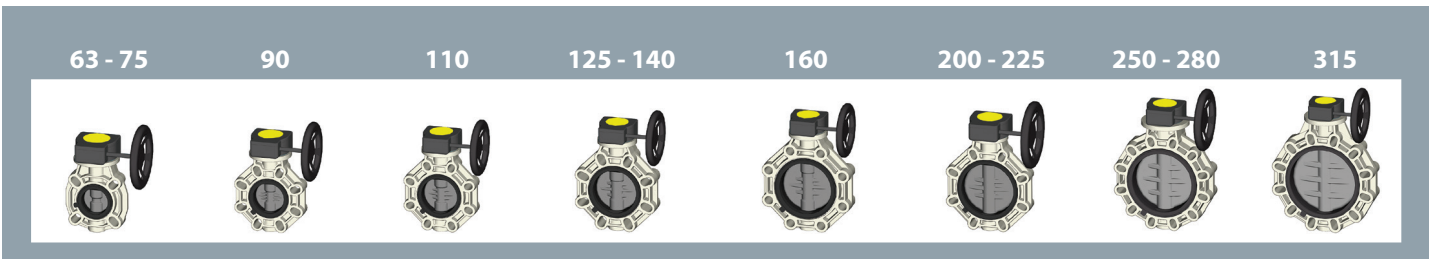
TIGHTENING TORQUE (INSTALLATION)
PAR DE APRIETE (INSTALACIÓN)

D	63-75 (2½")	90 (3")	110 (4")	125-140 (5")	160 (6")	200-225 (8")	250-280 (10")	315 (12")
DN	50 - 65	80	100	125	150	200	250	300
Screws	4xM16x120	8xM16x150	8xM16x160	8xM16x170	8xM20x200	8xM20x210	12xM20x270	12xM20x310
(N·m)	25	25	30	35	40	50	80	80
(inch·lbs)	221	221	265	310	354	442	708	708

DIMENSIONS
DIMENSIONES



D	inch	DN	A	B	C	E	F	H	I	K	L	M	N	holes
63-75	2½"	50 - 65	241	156	120	81	18	45	112	125-145	22	70	9	4 *
90	3"	80	272	190	136	95	19	48	112	150-170	245	70	9	8
110	4"	100	294	212	148	106	19	54	112	180-192	245	70	9	8
125-140	5"	125	326	238	164	119	22	64	112	190-215	320	70	9	8
160	6"	150	355	265	180	133	24	70	112	240	320	70	9	8
200-225	8"	200	427	320	217	161	23	71	136	270-298	391	102	11	8



D	inch	DN	B	D	E	F	G	H	K	M	N	holes
63-75	2½"	50 - 65	156	203	81	18	125	45	125-145	70	9	4 *
90	3"	80	190	220	95	19	125	48	150-170	70	9	8
110	4"	100	212	231	106	19	125	54	180-192	70	9	8
125-140	5"	125	238	254	119	22	160	64	190-215	70	9	8
160	6"	150	265	270	133	24	160	70	240	70	9	8
200-225	8"	200	320	320	161	23	160	71	270-298	102	11	8
250-280	10"	250	392	402	199	24	200	112	329-355	-	-	12 *
315	12"	300	470	421	238	28	200	114	384-427	-	-	12

CP. 84. SS. FGEP - PVC-C INDUSTRIAL BUTTERFLY VALVE
Butterfly valve

- PP - GF body
- Blue dot
- Joints in EPDM perox.
- Stainless steel shaft (AISI 630)
- Disc in Corzan® PVC-C
- PP handle


Válvula de mariposa

- Cuerpo en PP - GF
- Distintivo azul
- Juntas EPDM perox.
- Eje en acero inoxidable (AISI 630)
- Compuerta de Corzan® PVC-C
- Maneta en PP

D	DN	PN	REF.	CODE
2½"	65	10	35 84 075	34480
3"	80	10	35 84 090	34481
4"	100	10	35 84 110	33961
5"	125	10	35 84 140	34482
6"	150	10	35 84 160	34483
8"	200	10	35 84 200	34484

CP. 84. SS. VI - PVC-C INDUSTRIAL BUTTERFLY VALVE
Butterfly valve

- PP - GF body
- Green dot
- Joints in FPM
- Stainless steel shaft (AISI 630)
- Disc in Corzan® PVC-C
- PP handle


Válvula de mariposa

- Cuerpo en PP - GF
- Distintivo verde
- Juntas FPM
- Eje en acero inoxidable (AISI 630)
- Compuerta de Corzan® PVC-C
- Maneta en PP

D	DN	PN	REF.	CODE
2½"	65	10	35 84 075 VI	34485
3"	80	10	35 84 090 VI	34486
4"	100	10	35 84 110 VI	33962
5"	125	10	35 84 140 VI	34487
6"	150	10	35 84 160 VI	34488
8"	200	10	35 84 200 VI	34489

CP. 84. SS. FGEP. RM - PVC-C INDUSTRIAL BUTTERFLY VALVE
Butterfly valve

- PP - GF body
- Joints in EPDM perox.
- Stainless steel shaft (AISI 630)
- Disc in Corzan® PVC-C
- Gear box


Válvula de mariposa

- Cuerpo en PP - GF
- Juntas EPDM perox.
- Eje en acero inoxidable (AISI 630)
- Compuerta de Corzan® PVC-C
- Reductor manual

D	DN	PN	REF.	CODE
2½"	65	10	35 84 075 RM	34490
3"	80	10	35 84 090 RM	34491
4"	100	10	35 84 110 RM	34492
5"	125	10	35 84 140 RM	34493
6"	150	10	35 84 160 RM	34494
8"	200	10	35 84 200 RM	34495
10"	250	6	35 84 250 RM	34496
12"	300	6	35 84 315 RM	34497

CP. 84. SS. VI. RM - PVC-C INDUSTRIAL BUTTERFLY VALVE
Butterfly valve

- PP - GF body
- Joints in FPM
- Stainless steel shaft (AISI 630)
- Disc in Corzan® PVC-C
- Gear box


Válvula de mariposa

- Cuerpo en PP - GF
- Juntas FPM
- Eje en acero inoxidable (AISI 630)
- Compuerta de Corzan® PVC-C
- Reductor manual

D	DN	PN	REF.	CODE
2½"	65	10	35 84 075 VRM	34498
3"	80	10	35 84 090 VRM	34499
4"	100	10	35 84 110 VRM	34500
5"	125	10	35 84 140 VRM	34501
6"	150	10	35 84 160 VRM	34502
8"	200	10	35 84 200 VRM	34503
10"	250	6	35 84 250 VRM	34504
12"	300	6	35 84 315 VRM	34505

PP

FITTINGS

COMPRESSION FITTINGS (Metric) <i>ACCESORIOS COMPRESIÓN</i>	01	PAG. 634
COMPRESSION FITTINGS (CTS-IPS) <i>ACCESORIOS COMPRESIÓN</i>	02	PAG. 639
COMPRESSION FITTINGS (Universal) <i>ACCESORIOS COMPRESIÓN</i>	03	PAG. 646
COMPRESSION FITTINGS (Standard) <i>ACCESORIOS COMPRESIÓN</i>	04	PAG. 652
CLAMP SADDLES & PIPE CLIPS <i>COLLARINES DE TOMA Y PINZAS SUJECIÓN</i>	05	PAG. 657
PP IRRIGATION FITTINGS <i>ACCESORIOS RIEGO PP</i>	06	PAG. 662

COMPRESSION FITTINGS - PERFORMANCE SERIES

ACCESORIOS DE COMPRESIÓN - SERIE PERFORMANCE



Sizes	D16 - D110 (DN10-DN100)	
Standards	Compression - Metric, IPS, CTS Threaded - BSP, NPT	
Working pressure	@ 20°C (73°F) D16 - D63 (3/8" - 2"): PN 16 (240 psi) D75 - D110 (2 1/2" - 4"): PN 10 (150 psi)	
Materials	O-rings: NBR	
Characteristics	<ul style="list-style-type: none"> • PP Compression Fittings for PE pressure piping applications. • Injection moulding. • Perfect sealing in all conditions. • Fast & reliable connections. • Tested and approved by the main testing institutes worldwide. • Applications: irrigation, industry, water distribution, swimming pools, etc. • Also approved for use with PVC flexible hose. 	<ul style="list-style-type: none"> • Accesorios en PP para canalizaciones de PE a presión. • Moldeo por inyección. • Estanqueidad perfecta en todas las condiciones de trabajo. • Conexiones rápidas y fiables. • Analizados y aprobados por los institutos más importantes a nivel mundial. • Aplicaciones: riego, industria, tratamiento de aguas, piscinas, etc. • También compatibles para uso con tubería de PVC flexible.
Certifications	APROBATA TECHNICZNA / ISO 14236-2000 / AVIZ TECHNIC / GOST-R / CSA / NSF	

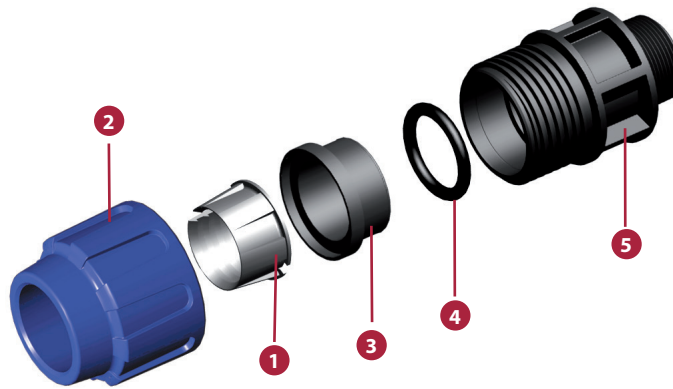
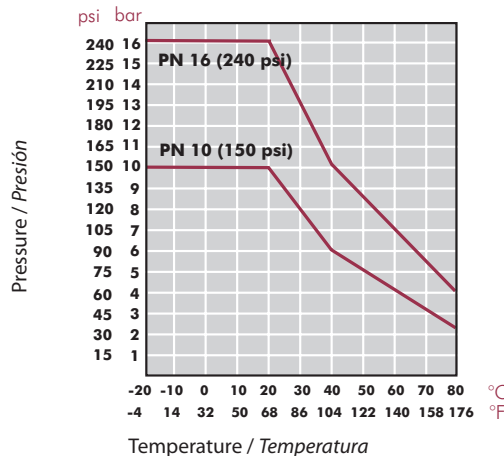


FIG.	Parts	Despiece	Material
1	Split ring	Cono de fijación	POM
2	Nut	Tuerca	PP
3	Insert	Casquillo prensa	PP
4	O-ring	Junta tórica	NBR 70 (*)
5	Body	Cuerpo	PP

(*) NBR: potable water rubber
NBR: junta agua potable

PRESSURE / TEMPERATURE GRAPH
DIAGRAMA PRESIÓN / TEMPERATURA



Life: 25 years
Hydrostatic maximum pressure a component may withstand in continuous service (without overpressure)

Vida útil: 25 años
Presión hidrostática máxima que un componente es capaz de soportar en servicio continuo (sin sobrepresión)

Performance of plastic materials in contact with non-dangerous fluids.
The durability of those parts exposed to fluids will depend on the working conditions

Valores indicativos para materiales en contacto con fluidos no peligrosos.
La vida en las partes expuestas a los fluidos dependerá de las condiciones de trabajo.

- Dimensions and characteristics according to:
 - EN 712 / 713 / 715 / 911
 - ISO 3458 / 3459 / 3501 / 3503
 - ISO 14236
 - DIN 8076 (Performance Series)
 - UNI 9561 (Performance Series)
- To be installed on PE pipes (PE-HD, PE-LD, PE40, PE63, PE80, PE100) conforming to:
 - EN 12201
 - ISO 3607 / 14236
 - DIN 8072 / 8074
 - UNI 10910
- Threads (BSP) manufactured according to:
 - ISO 7
 - DIN 2999
 - BS 21
 - UNI 338

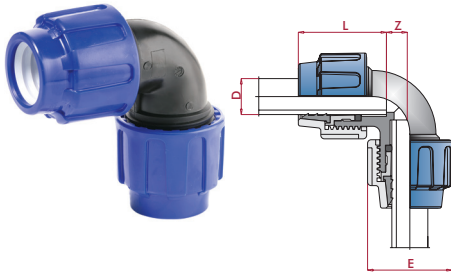
- Dimensiones y características según las normas:
 - EN 712 / 713 / 715 / 911
 - ISO 3458 / 3459 / 3501 / 3503
 - ISO 14236
 - DIN 8076 (Serie Performance)
 - UNI 9561 (Serie Performance)
- Para instalar en tubería de PE (PEAD, PEBD, PE40, PE63, PE80, PE100) conforme a las normas:
 - EN 12201
 - ISO 3607 / 14236
 - DIN 8072 / 8074
 - UNI 10910
- Roscas (BSP) fabricadas según el standard:
 - ISO 7
 - DIN 2999
 - BS 21
 - UNI 338

ELBOWS
CODOS
PP-P. 01. CP - PP COMPRESSION ELBOW
90° elbow

• Comp x Comp

Codo 90°

• Comp x Comp



D	DN	PN	REF.	CODE
16 x 16	10	16	11 01 016	01469
20 x 20	15	16	11 01 020	01470
25 x 25	20	16	11 01 025	01471
32 x 32	25	16	11 01 032	01472
40 x 40	32	16	11 01 040	01473
50 x 50	40	16	11 01 050	01474
63 x 63	50	16	11 01 063	01475
75 x 75	65	10	11 01 075	01476
90 x 90	80	10	11 01 090	17898
110 x 110	100	10	11 01 110	17899

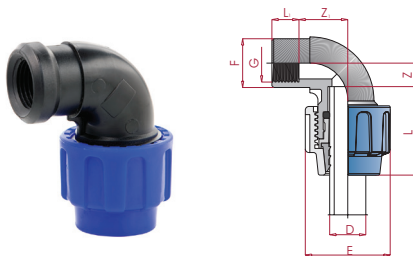
L	Z	E
49	13	44
49	13	44
58	16	56
81	18	66
92	24	80
108	28	94
125	32	114
140	37	130
156	53	153
176	63	181

PP-P. 01. CPFT - PP COMPRESSION ELBOW
90° elbow

• Comp x BSP female thread

Codo 90°

• Comp x rosca hembra BSP



D x G	DN	PN	REF.	CODE
16 x 3/8"	10 x 10	10	11 01 416	01478
16 x 1/2"	10 x 15	10	11 01 417	09145
20 x 1/2"	15 x 15	10	11 01 420	01479
20 x 3/4"	15 x 20	10	11 01 421	01480
25 x 1/2"	20 x 15	10	11 01 424	07350
25 x 3/4"	20 x 20	10	11 01 425	01481
32 x 1/2"	25 x 15	10	11 01 430	09710
32 x 3/4"	25 x 20	10	11 01 431	01482
32 x 1"	25 x 25	10	11 01 432	01483
40 x 3/4"	32 x 20	10	11 01 438	33488
40 x 1"	32 x 25	10	11 01 439	33489
40 x 1 1/4"	32 x 32	10	11 01 440	01485
40 x 1 1/2"	32 x 40	10	11 01 441	01486
50 x 1 1/4"	40 x 32	10	11 01 449	34577
50 x 1 1/2"	40 x 40	10	11 01 450	01487
50 x 2"	40 x 50	10	11 01 451	01488
63 x 1 1/4"	50 x 32	10	11 01 461	34579
63 x 1 1/2"	50 x 40	10	11 01 462	33132
63 x 2"	50 x 50	10	11 01 463	01489
75 x 2"	65 x 50	10	11 01 474	01490
75 x 2 1/2"	65 x 65	10	11 01 475	01491
90 x 3"	80 x 80	10	11 01 490	17900
90 x 4"	100 x 100	10	11 01 491	17901
110 x 4"	110 x 110	10	11 01 510	17902

L	L ₁	Z	Z ₁	E	F
49	15	13	22	44	27
49	16	13	22	44	27
49	16	13	26	44	27
49	19	13	26	44	34
58	19	16	31	56	34
58	19	16	31	56	34
81	16	18	43	66	27
81	19	18	43	66	34
81	22	18	43	66	41
92	19	24	48	80	34
92	24	24	46	80	41
92	24	24	54	80	52
92	24	24	54	80	61
108	24	28	58	94	52
108	24	28	58	94	61
108	28	28	58	94	76
125	24	32	70	114	52
125	28	32	68	114	58
125	28	32	67	114	76
140	28	41	83	130	76
140	33	41	83	130	88
156	35	53	55	153	109
156	36	53	89	153	132
176	38	63	63	181	135

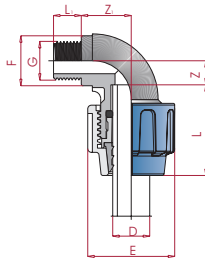
PP-P. 01. CPMT - PP COMPRESSION ELBOW

90° elbow

• Comp x BSP male thread

Codo 90°

• Comp x rosca macho BSP



D x G	DN	PN	REF.	CODE
16 x 3/8"	10 x 10	10	11 01 616	01493
16 x 1/2"	10 x 15	10	11 01 617	09146
20 x 1/2"	15 x 15	10	11 01 620	01494
20 x 3/4"	15 x 20	10	11 01 621	01495
25 x 1/2"	20 x 15	10	11 01 624	01496
25 x 3/4"	20 x 20	10	11 01 625	01497
32 x 1/2"	25 x 15	10	11 01 630	32055
32 x 3/4"	25 x 20	10	11 01 631	32056
32 x 1"	25 x 25	10	11 01 632	01498
40 x 1/4"	32 x 32	10	11 01 640	01499
40 x 1/2"	32 x 40	10	11 01 641	01484
50 x 1/4"	40 x 32	10	11 01 649	01500
50 x 1/2"	40 x 40	10	11 01 650	01501
50 x 2"	40 x 50	10	11 01 651	01502
63 x 1/4"	50 x 32	10	11 01 661	34580
63 x 1/2"	50 x 40	10	11 01 662	34581
63 x 2"	50 x 50	10	11 01 663	01503
75 x 2 1/2"	65 x 65	10	11 01 675	01504
90 x 3"	80 x 80	10	11 01 690	17903
90 x 4"	100 x 100	10	11 01 691	17904
110 x 4"	110 x 110	10	11 01 710	17905

L	L ₁	Z	Z ₁	E	F
49	13	13	27	44	27
49	13	13	27	44	27
49	14	13	26	44	27
49	16	13	26	44	30
58	14	16	34	56	27
58	16	16	34	56	30
81	14	18	34	66	27
81	16	18	34	66	30
81	19	18	45	66	36
92	21	24	59	80	48
92	21	24	59	80	52
108	21	28	68	94	48
108	21	28	68	94	52
108	26	28	68	94	66
125	24	32	71	114	48
125	24	32	71	114	52
125	26	32	78	114	66
140	30	41	83	130	82
156	35	53	77	153	113
156	39	53	77	153	113
176	40	63	90	181	135

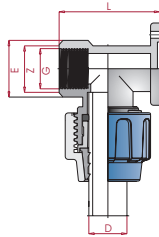
PP-P. 01. CPW - PP COMPRESSION ELBOW

90° elbow

• Comp x BSP female thread - wall

Codo 90°

• De pared - Comp x rosca hembra BSP



D x G	DN	PN	REF.	CODE
25 x 3/4"	56	10	11 01 225	11723

L	Z	E
65	32	36

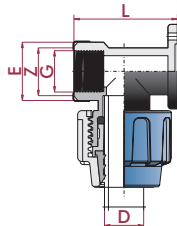
PP-P. 01. CPWR - PP COMPRESSION ELBOW

90° reinforced elbow

• Comp x BSP female thread - wall
• Reinforcement in stainless steel

Codo 90° reforzado

• De pared - Comp x rosca hembra BSP
• Refuerzo en acero inoxidable



D x G	DN	PN	REF.	CODE
25 x 3/4"	56	10	11 01 325	15778

L	Z	E
65	32	36

TEES TÉS

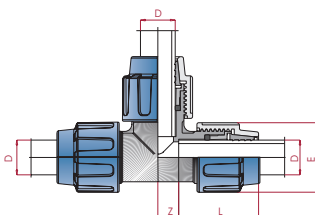
PP-P. 03. CP - PP COMPRESSION TEE

90° tee

• Comp x Comp x Comp

Té 90°

• Comp x Comp x Comp



D	DN	PN	REF.	CODE
16 x 16 x 16	10	16	11 03 016	01506
20 x 20 x 20	15	16	11 03 020	01507
25 x 25 x 25	20	16	11 03 025	01508
32 x 32 x 32	25	16	11 03 032	01509
40 x 40 x 40	32	16	11 03 040	01510
50 x 50 x 50	40	16	11 03 050	01511
63 x 63 x 63	50	16	11 03 063	01512
75 x 75 x 75	65	10	11 03 075	01513
90 x 90 x 90	80	10	11 03 090	17906
110 x 110 x 110	100	10	11 03 110	17907

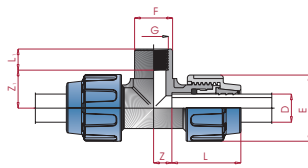
L	Z	E
49	13	44
49	13	44
58	16	56
81	18	66
92	24	80
108	28	94
125	32	114
140	41	130
156	53	153
176	63	181

PP-P. 03. CPFT - PP COMPRESSION TEE
90° tee

• Comp x BSP female thread x Comp

Té 90°

• Comp x rosca hembra BSP x Comp



D x G x D	DN	PN	REF.	CODE
16 x 3/8" x 16	10 x 10	10	11 03 416	01523
16 x 1/2" x 16	10 x 15	10	11 03 417	09147
20 x 1/2" x 20	15 x 15	10	11 03 420	01524
20 x 3/4" x 20	15 x 20	10	11 03 421	01525
25 x 1/2" x 25	20 x 15	10	11 03 424	01526
25 x 3/4" x 25	20 x 20	10	11 03 425	01527
25 x 1" x 25	25 x 20	10	11 03 426	34227
32 x 1/2" x 32	25 x 15	10	11 03 430	01528
32 x 3/4" x 32	25 x 20	10	11 03 431	03337
32 x 1" x 32	25 x 25	10	11 03 432	01529
40 x 1 1/4" x 40	32 x 32	10	11 03 440	01530
50 x 1" x 50	40 x 25	10	11 03 448	33129
50 x 1 1/2" x 50	40 x 40	10	11 03 450	01531
50 x 2" x 50	40 x 50	10	11 03 451	01532
63 x 1" x 63	50 x 25	10	11 03 460	33130
63 x 1 1/2" x 63	50 x 40	10	11 03 462	33131
63 x 2" x 63	50 x 50	10	11 03 463	01533
75 x 2 1/2" x 75	65 x 65	10	11 03 475	01534
90 x 3" x 90	80 x 80	10	11 03 490	17910
110 x 3" x 110	100 x 100	10	11 03 509	17911
110 x 4" x 110	110 x 110	10	11 03 510	17912

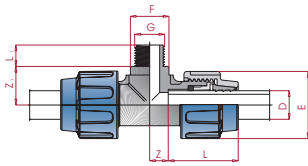
L	L ₁	Z	Z ₁	E	F
49	15	13	22	44	27
49	16	13	22	44	27
49	16	13	26	44	27
49	19	13	26	44	34
58	16	16	31	56	27
58	19	19	31	56	34
58	24	19	34	56	47
81	16	18	43	66	27
81	19	18	43	66	34
81	22	18	43	66	41
92	24	24	54	80	52
108	24	28	50	94	42
108	24	28	58	94	61
140	28	28	58	94	76
125	24	32	62	114	42
125	28	32	67	114	58
125	28	32	67	114	76
140	33	41	83	130	88
156	35	53	55	153	109
176	36	63	69	181	114
176	40	63	61	181	114

PP-P. 03. CPMT - PP COMPRESSION TEE
90° tee

• Comp x BSP male thread x Comp

Té 90°

• Comp x rosca macho BSP x Comp



D x G x D	DN	PN	REF.	CODE
16 x 3/8" x 16	10 x 10	10	11 03 616	01536
16 x 1/2" x 16	10 x 15	10	11 03 617	09148
20 x 1/2" x 20	15 x 15	10	11 03 620	01537
20 x 3/4" x 20	15 x 20	10	11 03 621	01538
25 x 1/2" x 25	20 x 15	10	11 03 624	01539
25 x 3/4" x 25	20 x 20	10	11 03 625	01540
32 x 1/2" x 32	25 x 15	10	11 03 630	01541
32 x 1" x 32	25 x 25	10	11 03 632	01542
40 x 1 1/4" x 40	32 x 32	10	11 03 640	01543
40 x 1 1/2" x 40	32 x 40	10	11 03 641	03338
50 x 1 1/2" x 50	40 x 40	10	11 03 650	01544
63 x 2" x 63	50 x 50	10	11 03 663	01545
75 x 2 1/2" x 75	65 x 65	10	11 03 675	01546
90 x 3" x 90	80 x 80	10	11 03 690	17913
90 x 4" x 90	80 x 110	10	11 03 691	17914
110 x 4" x 110	110 x 110	10	11 03 710	17915

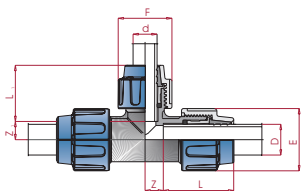
L	L ₁	Z	Z ₁	E	F
49	13	13	27	44	27
49	14	13	26	44	27
49	14	13	26	44	27
49	16	13	26	44	30
58	14	16	34	56	27
58	16	16	34	56	30
81	14	18	45	66	27
81	19	18	45	66	36
92	21	24	59	80	48
92	21	24	59	80	52
108	21	28	68	94	52
125	26	32	78	114	66
140	30	41	83	130	82
156	35	53	77	153	117
156	39	53	77	153	117
176	40	63	90	181	142

PP-P. 04. CPR - PP COMPRESSION TEE
90° reducing tee

• Comp x Comp x Comp

Té reducida 90°

• Comp x Comp x Comp



D x d x D	DN	PN	REF.	CODE
20 x 16 x 20	10	16	11 04 020	01515
25 x 20 x 25	15	16	11 04 025	01516
32 x 25 x 32	20	16	11 04 032	01517
40 x 32 x 40	25	16	11 04 040	01518
50 x 32 x 50	25	16	11 04 049	33487
50 x 40 x 50	32	16	11 04 050	01519
63 x 50 x 63	40	16	11 04 063	01520
75 x 63 x 75	50	10	11 04 075	01521
90 x 75 x 90	65	10	11 04 090	17908
110 x 90 x 110	80	10	11 04 110	17909

L	L ₁	Z	Z ₁	E	F
49	49	13	13	44	44
58	49	16	13	56	44
81	58	18	16	66	56
92	81	24	18	80	66
108	86	28	28	94	66
108	92	28	24	94	80
125	108	32	28	114	94
140	125	41	32	130	114
156	131	53	58	153	130
176	156	63	68	181	153

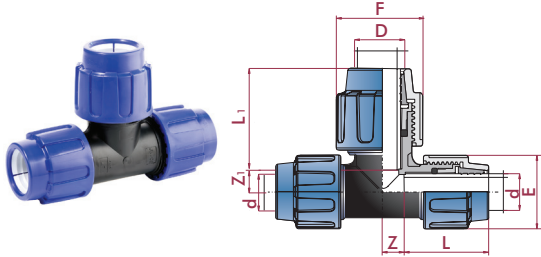
PP-P. 08. CPA - PP COMPRESSION TEE

90° enlarging tee

• Comp x Comp x Comp

Té ampliada 90°

• Comp x Comp x Comp



d x D x d	DN	PN	REF.	CODE
20 x 25 x 20	15 x 20	16	11 08 020	33891

L	L ₁	Z	Z ₁	E	F
49	58	16	13	44	56

COUPLINGS ENLACES

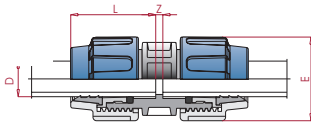
PP-P. 05. CP - PP COMPRESSION COUPLING

Coupling

• Comp x Comp

Manguito

• Comp x Comp



D	DN	PN	REF.	CODE
16 x 16	10	16	11 05 016	01548
20 x 20	15	16	11 05 020	01549
25 x 25	20	16	11 05 025	01550
32 x 32	25	16	11 05 032	01551
40 x 40	32	16	11 05 040	01552
50 x 50	40	16	11 05 050	01553
63 x 63	50	16	11 05 063	01554
75 x 75	65	10	11 05 075	01555
90 x 90	80	10	11 05 090	17916
110 x 110	100	10	11 05 110	17917

L	Z	E
49	4	44
49	4	44
58	4	56
81	4	66
92	5	80
108	8	94
125	8	114
140	10	130
148	10	153
167	12	181

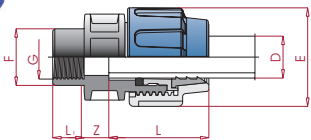
PP-P. 05. CPFT - PP COMPRESSION ADAPTOR

Adaptor

• Comp x BSP female thread

Enlace

• Comp x rosca hembra BSP



D x G	DN	PN	REF.	CODE
16 x 3/8"	10 x 10	10	11 05 416	01565
16 x 1/2"	10 x 15	10	11 05 417	07349
20 x 1/2"	15 x 15	10	11 05 420	01566
20 x 3/4"	15 x 20	10	11 05 421	01567
25 x 1/2"	20 x 15	10	11 05 424	01568
25 x 3/4"	20 x 20	10	11 05 425	01569
25 x 1"	20 x 25	10	11 05 426	01570
32 x 3/4"	25 x 20	10	11 05 431	01571
32 x 1"	25 x 25	10	11 05 432	01572
40 x 1"	32 x 25	10	11 05 439	01573
40 x 1 1/4"	32 x 32	10	11 05 440	01574
50 x 1 1/4"	40 x 32	10	11 05 449	01575
50 x 1 1/2"	40 x 40	10	11 05 450	01576
50 x 2"	40 x 50	10	11 05 451	01577
63 x 1 1/2"	50 x 40	10	11 05 462	34582
63 x 2"	50 x 50	10	11 05 463	01578
75 x 2"	65 x 50	10	11 05 474	01579
75 x 2 1/2"	65 x 65	10	11 05 475	01580
75 x 3"	65 x 80	10	11 05 476	20786
90 x 2"	80 x 50	10	11 05 488	17921
90 x 2 1/2"	80 x 65	10	11 05 489	17922
90 x 3"	80 x 80	10	11 05 490	17923
90 x 4"	80 x 100	10	11 05 491	17924
110 x 2"	100 x 50	10	11 05 508	17925
110 x 3"	100 x 80	10	11 05 509	17926
110 x 4"	100 x 100	10	11 05 510	17927

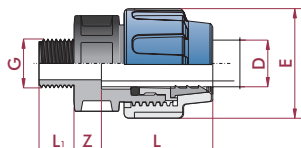
L	L ₁	Z	E	F
49	15	11	44	27
49	16	11	44	27
49	16	11	44	27
49	19	11	44	34
58	16	12	56	27
58	19	12	56	34
53	22	12	56	41
81	19	15	66	34
81	22	15	66	41
92	22	17	80	41
92	24	17	80	52
108	24	17	94	52
108	24	17	94	61
108	28	17	94	76
125	28	19	114	61
125	28	19	114	76
140	28	39	130	76
140	33	39	130	88
140	33	39	130	113
148	32	8	153	87
148	32	10	153	106
148	34	8	153	113
148	38	29	153	135
167	32	14	181	87
167	34	12	181	119
167	38	8	181	144

PP-P. 05. CPMT - PP COMPRESSION ADAPTOR
Adaptor

• Comp x BSP male thread

Enlace

• Comp x rosca macho BSP



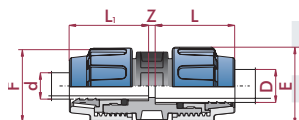
D x G	DN	PN	REF.	CODE	L	L ₁	Z	E
16 x 3/8"	10 x 10	10	11 05 616	01582	49	13	14	44
16 x 1/2"	10 x 15	10	11 05 617	07348	49	14	14	44
16 x 3/4"	10 x 20	10	11 05 618	31921	49	16	14	44
20 x 1/2"	15 x 15	10	11 05 620	01583	49	14	14	44
20 x 3/4"	15 x 20	10	11 05 621	01584	49	16	14	44
20 x 1"	15 x 25	10	11 05 622	01585	49	19	14	44
25 x 1/2"	20 x 15	10	11 05 624	01586	58	14	15	56
25 x 3/4"	20 x 20	10	11 05 625	01587	58	16	15	56
25 x 1"	20 x 25	10	11 05 626	01588	58	19	15	56
32 x 3/4"	25 x 20	10	11 05 631	01589	81	16	16	66
32 x 1"	25 x 25	10	11 05 632	01590	81	19	16	66
32 x 1 1/4"	25 x 32	10	11 05 633	06154	81	21	16	66
40 x 1"	32 x 25	10	11 05 639	33127	92	21	22	80
40 x 1 1/4"	32 x 32	10	11 05 640	01591	92	21	22	80
40 x 1 1/2"	32 x 40	10	11 05 641	01592	92	21	22	80
50 x 1"	40 x 25	10	11 05 648	33128	92	21	22	94
50 x 1 1/4"	40 x 32	10	11 05 649	06155	108	21	23	94
50 x 1 1/2"	40 x 40	10	11 05 650	01593	108	21	23	94
50 x 2"	40 x 50	10	11 05 651	01594	108	26	23	94
63 x 1 1/2"	50 x 40	10	11 05 662	01595	125	21	25	114
63 x 2"	50 x 50	10	11 05 663	01596	125	26	25	114
75 x 2"	65 x 50	10	11 05 674	01597	140	26	39	130
75 x 2 1/2"	65 x 65	10	11 05 675	01598	140	30	39	130
75 x 3"	65 x 80	10	11 05 676	09711	140	33	39	130
90 x 2"	80 x 50	10	11 05 688	17928	148	30	30,5	153
90 x 2 1/2"	80 x 65	10	11 05 689	17929	148	32	30	153
90 x 3"	80 x 80	10	11 05 690	17930	148	34	30	153
90 x 4"	80 x 100	10	11 05 691	17931	148	39	29	153
110 x 2"	100 x 50	10	11 05 708	17932	167	30	31	181
110 x 3"	100 x 80	10	11 05 709	17933	167	35	31	181
110 x 4"	100 x 100	10	11 05 710	17934	167	38	31	181

PP-P. 06. CPR - PP COMPRESSION REDUCTION
Reducing coupling

• Comp x Comp

Manguito reducido

• Comp x Comp



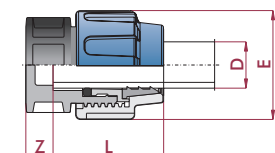
D x d	DN	PN	REF.	CODE	L	L ₁	Z	E	F
20 x 16	10	16	11 06 020	01557	49	49	4	44	44
25 x 20	15	16	11 06 025	01558	58	49	4	56	44
32 x 20	15	16	11 06 031	33490	81	49	5	66	44
32 x 25	20	16	11 06 032	01559	81	58	4	66	56
40 x 25	20	16	11 06 039	34576	92	58	12	80	56
40 x 32	25	16	11 06 040	01560	92	81	4	80	66
50 x 32	25	16	11 06 049	27994	108	81	5	94	66
50 x 40	32	16	11 06 050	01561	108	92	5	94	80
63 x 50	40	16	11 06 063	01562	125	108	8	114	94
75 x 63	50	10	11 06 075	01563	140	125	15	130	114
90 x 63	65	10	11 06 089	17918	148	116	6	153	114
90 x 75	80	10	11 06 090	17919	148	141	6	153	130
110 x 90	100	10	11 06 110	17920	167	148	15	181	153

**CAPS
TAPONES**
PP-P. 07. CP - PP COMPRESSION CAP
Cap

• Comp

Tapón

• Comp



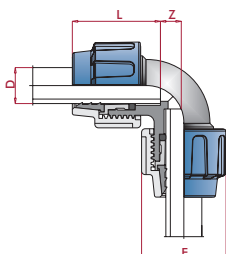
D	DN	PN	REF.	CODE	L	Z	E
16	10	16	11 07 016	01600	49	14	44
20	15	16	11 07 020	01601	49	14	44
25	20	16	11 07 025	01602	58	15	56
32	25	16	11 07 032	01603	81	16	66
40	32	16	11 07 040	01604	92	22	80
50	40	16	11 07 050	01605	108	23	94
63	50	16	11 07 063	01606	125	25	114
75	65	10	11 07 075	01607	140	40	130
90	80	10	11 07 090	17935	148	28	153
110	100	10	11 07 110	17936	167	31	181

ELBOWS
CODOS

PP-P. 01. CP - PP COMPRESSION ELBOW

- 90° elbow**
• Comp x Comp
• CTS Standard

- Codo 90°**
• Comp x Comp
• CTS Standard



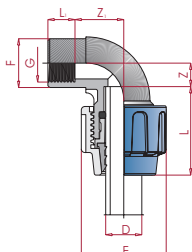
D	PN	REF.	CODE
¾"	16	33 01 025	24024
1"	16	33 01 032	24025
1¼"	16	33 01 040	24026
1½"	16	33 01 050	24027
2"	16	33 01 063	24028

L	Z	E
57	16	55
80	18	65
91	24	80
107	28	81
124	32	113

PP-P. 01. CPFT - PP COMPRESSION ELBOW

- 90° elbow**
• Comp x NPT female thread
• CTS Standard

- Codo 90°**
• Comp x rosca hembra NPT
• CTS Standard



D x G	PN	REF.	CODE
¾"x¾"	10	33 01 425	24029
1"x¾"	10	33 01 431	24034
1"x1"	10	33 01 432	24030
1¼"x1¼"	10	33 01 440	24031
1¼"x1½"	10	33 01 441	24433
1½"x1½"	10	33 01 450	24032
1½"x2"	10	33 01 451	24434
2"x2"	10	33 01 463	24033

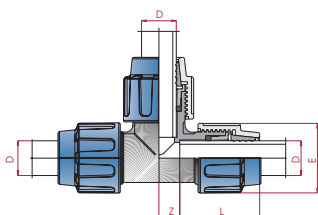
L	L ₁	Z	Z ₁	E	F
57	19	16	31	55	34
80	19	18	43	65	34
80	22	18	43	65	41
91	24	24	54	80	52
91	24	24	54	80	60
107	24	28	57	91	60
107	28	28	57	91	75
124	28	32	66	113	75

TEES
TÉS

PP-P. 03. CP - PP COMPRESSION TEE

- 90° tee**
• Comp x Comp x Comp
• CTS Standard

- Té 90°**
• Comp x Comp x Comp
• CTS Standard



D	PN	REF.	CODE
¾"	16	33 03 025	24007
1"	16	33 03 032	24008
1¼"	16	33 03 040	24009
1½"	16	33 03 050	24010
2"	16	33 03 063	24011

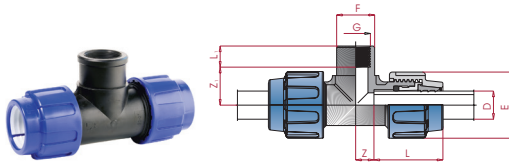
L	Z	E
57	13	55
80	16	65
91	18	80
107	24	91
124	28	113

PP-P. 03. CPFT - PP COMPRESSION TEE
90° tee

- Comp x NPT female thread x Comp
- CTS Standard

Té 90°

- Comp x rosca hembra NPT x Comp
- CTS Standard



D x G x D	PN	REF.	CODE
¾" x ¾"	10	33 03 425	24012
1" x ¾"	10	33 03 431	24017
1" x 1"	10	33 03 432	24013
1¼" x ¾"	10	33 03 438	24018
1¼" x 1"	10	33 03 439	24019
1¼" x 1¼"	10	33 03 440	24014
1½" x ¾"	10	33 03 447	24020
1½" x 1"	10	33 03 448	24021
1½" x 1½"	10	33 03 450	24015
1½" x 2"	10	33 03 451	24435
2" x ¾"	10	33 03 459	24022
2" x 1"	10	33 03 460	24023
2" x 2"	10	33 03 463	24016

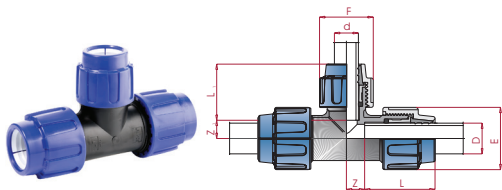
L	L ₁	Z	Z ₁	E	F
49	19	13	26	46	34
57	16	16	31	55	27
80	22	18	43	65	41
-	-	-	-	-	-
-	-	-	-	-	-
91	24	24	54	80	52
-	-	-	-	-	-
-	-	-	-	-	-
107	24	28	57	91	60
139	28	28	57	90	75
-	-	-	-	-	-
-	-	-	-	-	-
124	28	32	66	113	75

PP-P. 04. CPR - PP COMPRESSION TEE
90° reducing tee

- Comp x Comp x Comp
- CTS Standard

Té reducida 90°

- Comp x Comp x Comp
- CTS Standard



D x d x D	PN	REF.	CODE
1" x ¾"	16	33 04 032	24436
1¼" x 1"	16	33 04 040	24437
1½" x 1¼"	16	33 04 050	24438
2" x 1¼"	16	33 04 062	24439
2" x 1½"	16	33 04 063	24440

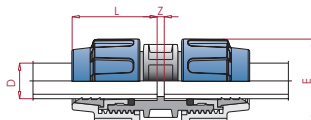
L	L ₁	Z	Z ₁	E	F
80	57	18	16	65	55
91	80	24	18	80	65
107	91	28	24	91	80
-	-	-	-	-	-
124	107	32	28	113	91

**COUPLINGS
ENLACES**
PP-P. 05. CP - PP COMPRESSION COUPLING
Coupling

- Comp x Comp
- CTS Standard

Manguito

- Comp x Comp
- CTS Standard



D	PN	REF.	CODE
¾"	16	33 05 025	23986
1"	16	33 05 032	23987
1¼"	16	33 05 040	23988
1½"	16	33 05 050	23989
2"	16	33 05 063	23990

L	Z	E
57	4	55
80	4	65
81	5	80
107	8	91
124	8	113

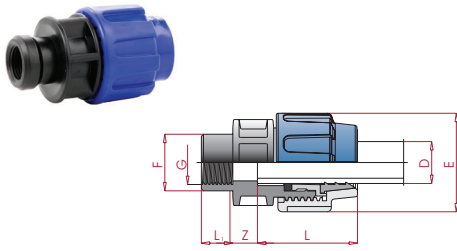
PP-P. 05. CPFT - PP COMPRESSION ADAPTOR

Adaptor

- Comp x NPT female thread
- CTS Standard

Enlace

- Comp x rosca hembra NPT
- CTS Standard



D x G	PN	REF.	CODE
¾"x¾"	10	33 05 425	24036
¾"x1"	10	33 05 426	24442
1"x¾"	10	33 05 431	24042
1"x1"	10	33 05 432	24037
1¼"x1"	10	33 05 439	24035
1¼"x1¼"	10	33 05 440	24038
1½"x1¼"	10	33 05 449	24044
1½"x1½"	10	33 05 450	24039
1½"x2"	10	33 05 451	24443
2"x1½"	10	33 05 462	24045
2"x2"	10	33 05 463	24040

L	L ₁	Z	E	F
57	19	12	55	34
53	22	12	55	41
80	19	15	65	34
80	22	15	65	41
91	22	17	80	41
91	24	17	80	52
107	24	17	91	52
107	24	17	91	60
107	28	17	91	75
-	-	-	-	-
124	28	19	113	75

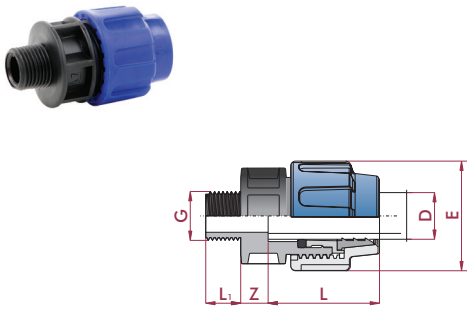
PP-P. 05. CPMT - PP COMPRESSION ADAPTOR

Adaptor

- Comp x NPT male thread
- CTS Standard

Enlace

- Comp x rosca macho NPT
- CTS Standard



D x G	PN	REF.	CODE
¾"x¾"	10	33 05 625	23445
¾"x1"	10	33 05 626	24444
1"x¾"	10	33 05 631	24445
1"x1"	10	33 05 632	23996
1"x1¼"	10	33 05 638	24446
1¼"x1¼"	10	33 05 639	24447
1¼"x1½"	10	33 05 640	23997
1½"x1¼"	10	33 05 649	24448
1½"x1½"	10	33 05 650	24449
1½"x2"	10	33 05 651	24450
2"x1½"	10	33 05 662	24451
2"x2"	10	33 05 663	24452

L	L ₁	Z	E
57	16	15	55
57	19	15	55
80	16	16	65
80	19	16	65
80	21	16	65
91	21	22	80
91	21	22	80
107	21	23	91
107	21	23	91
107	26	23	91
124	21	25	113
124	26	25	113

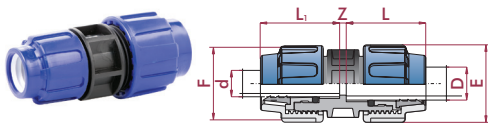
PP-P. 06. CPR - PP COMPRESSION REDUCTION

Reducing coupling

- Comp x Comp
- CTS Standard

Manguito reducido

- Comp x Comp
- CTS Standard



D x d	PN	REF.	CODE
1"x¾"	16	33 06 032	23991
1¼"x1"	16	33 06 040	23992
1½"x1¼"	16	33 06 050	23993
2"x1½"	16	33 06 063	23994

L	L ₁	Z	E	F
80	57	4	65	55
91	80	4	80	65
107	91	5	91	80
124	107	8	113	91

ELBOWS CODOS

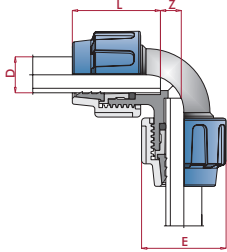
PP-P. 01. CP - PP COMPRESSION ELBOW

90° elbow

- Comp x Comp
- IPS Standard

Codo 90°

- Comp x Comp
- IPS Standard



D	PN	REF.	CODE
3/8"	16	66 01 016	21807
1/2"	16	66 01 020	21808
3/4"	16	66 01 025	21809
1"	16	66 01 032	21810
1 1/4"	16	66 01 040	21811
1 1/2"	16	66 01 050	21812
2"	16	66 01 063	21813
3"	10	66 01 090	26777
4"	10	66 01 110	28117

L	Z	E
49	13	46
49	13	46
57	16	55
80	18	65
91	24	80
107	28	81
124	32	113
139	37	127
154	53	151

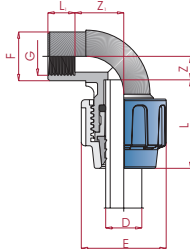
PP-P. 01. CPFT - PP COMPRESSION ELBOW

90° elbow

- Comp x NPT female thread
- IPS Standard

Codo 90°

- Comp x rosca hembra NPT
- IPS Standard



D x G	PN	REF.	CODE
3/8"x1/2"	10	66 01 417	21816
1/2"x1/2"	10	66 01 420	21817
1/2"x3/4"	10	66 01 421	21818
3/4"x1/2"	10	66 01 424	21819
3/4"x3/4"	10	66 01 425	21820
1"x1/2"	10	66 01 430	21821
1"x3/4"	10	66 01 431	21822
1"x1"	10	66 01 432	21823
1 1/4"x1 1/4"	10	66 01 440	21824
1 1/4"x1 1/2"	10	66 01 441	21825
1 1/2"x1 1/2"	10	66 01 450	21826
1 1/2"x2"	10	66 01 451	21827
2"x2"	10	66 01 463	21828
3"x3"	10	66 01 490	26785

L	L ₁	Z	Z ₁	E	F
49	16	13	22	46	27
49	16	13	26	46	27
49	19	13	26	46	34
57	19	16	31	55	34
57	19	16	31	55	34
80	16	18	43	65	27
80	19	18	43	65	34
80	22	18	43	65	41
91	24	24	54	80	52
91	24	24	54	80	60
107	24	28	57	91	60
107	28	28	57	91	75
124	28	31	66	113	75
139	28	41	82	127	75

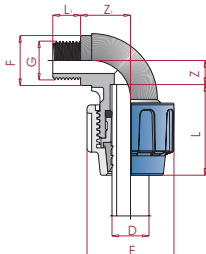
PP-P. 01. CPMT - PP COMPRESSION ELBOW

90° elbow

- Comp x NPT male thread
- IPS Standard

Codo 90°

- Comp x rosca macho NPT
- IPS Standard



D x G	PN	REF.	CODE
3/8"x3/8"	10	66 01 616	21831
3/8"x1/2"	10	66 01 617	21832
1/2"x1/2"	10	66 01 620	21833
1/2"x3/4"	10	66 01 621	21834
3/4"x1/2"	10	66 01 624	21835
3/4"x3/4"	10	66 01 625	21836
1"x1"	10	66 01 632	21837
1 1/4"x1 1/4"	10	66 01 640	21838
1 1/4"x1 1/2"	10	66 01 641	21839
1 1/2"x1 1/4"	10	66 01 649	21840
1 1/2"x1 1/2"	10	66 01 650	21841
1 1/2"x2"	10	66 01 651	21842
2"x2"	10	66 01 663	21843
2 1/2"x2 1/2"	10	66 01 675	21844

L	L ₁	Z	Z ₁	E	F
49	13	13	27	46	27
49	13	13	27	46	27
49	14	13	26	46	27
49	16	13	26	46	30
57	14	16	34	55	27
57	16	16	34	55	30
80	19	18	45	65	36
91	21	24	58	80	47
91	21	24	58	80	52
107	21	28	67	91	47
107	21	28	67	91	52
107	26	28	67	91	65
124	26	32	77	113	65
139	30	41	82	127	81

PP-P. 01. CPW - PP COMPRESSION ELBOW

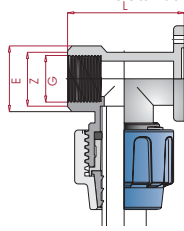
90° elbow

- Comp x NPT female thread - wall
- IPS Standard



Codo 90°

- De pared - Comp x rosca hembra NPT
- IPS Standard



D x G	PN	REF.	CODE
3/4" x 3/4"	10	66 01 225	21845

L	Z	E
65	32	36

TEES TÉS

PP-P. 03. CP - PP COMPRESSION TEE

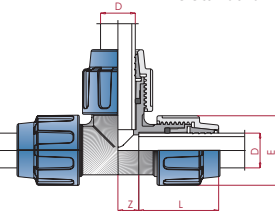
90° tee

- Comp x Comp x Comp
- IPS Standard



Té 90°

- Comp x Comp x Comp
- IPS Standard



D	PN	REF.	CODE
1/2"	16	66 03 020	21887
3/4"	16	66 03 025	22211
1"	16	66 03 032	21888
1 1/4"	16	66 03 040	21889
1 1/2"	16	66 03 050	21890
2"	16	66 03 063	21891
3"	10	66 03 090	26786
4"	10	66 03 110	28118

L	Z	E
49	13	46
57	13	55
80	16	65
91	18	80
107	24	91
124	28	113
139	32	127
154	41	151

PP-P. 03. CPFT - PP COMPRESSION TEE

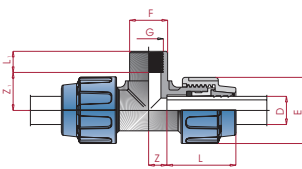
90° tee

- Comp x NPT female thread x Comp
- IPS Standard



Té 90°

- Comp x rosca hembra NPT x Comp
- IPS Standard



D x G x D	PN	REF.	CODE
1/2" x 1/2"	10	66 03 420	21902
1/2" x 3/4"	10	66 03 421	21903
3/4" x 1/2"	10	66 03 424	21904
3/4" x 3/4"	10	66 03 425	21905
1" x 1/2"	10	66 03 430	21906
1" x 3/4"	10	66 03 431	21907
1" x 1"	10	66 03 432	21908
1 1/4" x 1 1/4"	10	66 03 440	21909
1 1/2" x 1 1/2"	10	66 03 450	21910
1 1/2" x 2"	10	66 03 451	21911
2" x 2"	10	66 03 463	21912
3" x 3"	10	66 03 490	26789
4" x 4"	10	66 03 510	28120

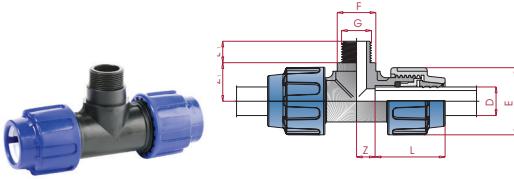
L	L ₁	Z	Z ₁	E	F
49	16	13	22	46	27
49	16	13	26	46	27
57	16	16	31	55	27
49	19	13	26	46	34
57	16	16	31	55	27
57	19	19	31	55	34
80	22	18	43	65	41
91	24	24	54	80	52
107	24	28	57	91	60
139	28	28	57	91	75
124	28	32	66	113	75
154	35	53	55	151	108
174	40	62	60	180	113

PP-P. 03. CPMT - PP COMPRESSION TEE
90° tee

- Comp x NPT male thread x Comp
- IPS Standard

Té 90°

- Comp x rosca macho NPT x Comp
- IPS Standard



D x G x D	PN	REF.	CODE
1/2"x1/2"	10	66 03 620	21916
1/2"x3/4"	10	66 03 621	21917
3/4"x1/2"	10	66 03 624	21918
3/4"x3/4"	10	66 03 625	21919
1"x1/2"	10	66 03 630	21920
1"x1"	10	66 03 632	21921
1 1/4"x1 1/4"	10	66 03 640	21922
1 1/2"x1 1/2"	10	66 03 650	21846
1 1/2"x2"	10	66 03 651	24458
2"x2"	10	66 03 663	21847

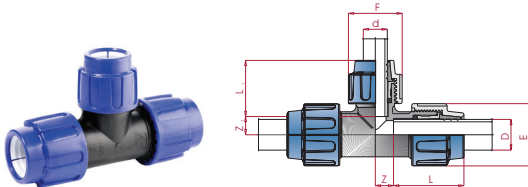
L	L ₁	Z	Z ₁	E	F
49	14	13	26	46	27
49	16	13	26	46	30
57	14	16	34	55	27
57	16	16	34	55	30
57	14	16	34	55	27
80	19	18	45	65	36
99	21	24	58	80	47
107	21	28	67	91	52
-	-	-	-	-	-
124	26	32	77	113	65

PP-P. 04. CPR - PP COMPRESSION TEE
90° reducing tee

- Comp x Comp x Comp
- IPS Standard

Té reducida 90°

- Comp x Comp x Comp
- IPS Standard



D x d x D	PN	REF.	CODE
3/4"x1/2"	16	66 04 025	21894
1"x3/4"	16	66 04 032	21895
1 1/4"x1"	16	66 04 040	21896
1 1/2"x1 1/4"	16	66 04 050	21897
2"x1 1/4"	16	66 04 062	24110
2"x1 1/2"	16	66 04 063	21898
3"x2"	10	66 04 089	24109

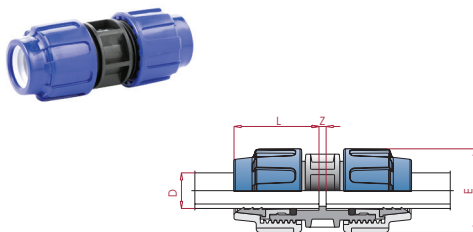
L	L ₁	Z	Z ₁	E	F
57	49	16	13	55	46
80	57	18	16	65	55
91	80	24	18	80	65
107	91	28	24	91	80
-	-	-	-	-	-
124	107	32	28	113	91
139	124	41	31	127	113

**COUPLINGS
ENLACES**
PP-P. 05. CP - PP COMPRESSION COUPLING
Coupling

- Comp x Comp
- IPS Standard

Manguito

- Comp x Comp
- IPS Standard



D	PN	REF.	CODE
1/2"	16	66 05 020	21850
3/4"	16	66 05 025	21851
1"	16	66 05 032	21852
1 1/4"	16	66 05 040	21853
1 1/2"	16	66 05 050	21854
2"	16	66 05 063	21855
3"	10	66 05 090	26793
4"	10	66 05 110	28116

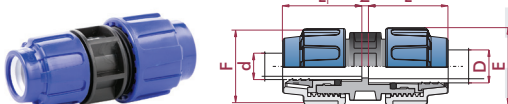
L	Z	E
49	4	46
57	4	55
80	4	65
81	5	80
107	8	91
124	8	113
139	10	127
146	10	151

PP-P. 06. CPR - PP COMPRESSION REDUCTION
Reducing coupling

- Comp x Comp
- IPS Standard

Manguito reducido

- Comp x Comp
- IPS Standard



D x d	DN	PN	REF.	CODE
3/4"x1/2"	15	16	66 06 025	21858
1"x3/4"	20	16	66 06 032	21859
1 1/4"x1"	25	16	66 06 040	21860
1 1/2"x1 1/4"	32	16	66 06 050	21861
2"x1 1/2"	40	16	66 06 063	21862

L	L ₁	Z	E	F
57	49	4	55	46
80	57	4	65	55
91	80	4	80	65
107	91	5	91	80
124	107	8	113	91

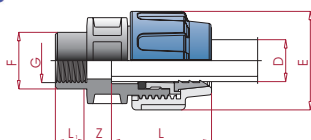
PP-P. 05. CPFT - PP COMPRESSION ADAPTOR

Adaptor

- Comp x NPT female thread
- IPS Standard

Enlace

- Comp x rosca hembra NPT
- IPS Standard



D x G	PN	REF.	CODE	L	L ₁	Z	E	F
½"x½"	10	66 05 420	21866	49	16	11	46	27
½"x¾"	10	66 05 421	21867	49	19	11	46	34
¾"x½"	10	66 05 424	21868	57	16	12	55	27
¾"x¾"	10	66 05 425	21869	57	19	12	55	34
¾"x1"	10	66 05 426	21870	53	22	12	55	41
1"x¾"	10	66 05 431	21871	80	19	15	65	34
1"x1"	10	66 05 432	21872	80	22	15	65	41
1¼"x1"	10	66 05 439	21873	91	22	17	80	41
1¼"x1¼"	10	66 05 440	21874	91	24	17	80	52
1½"x1¼"	10	66 05 449	21875	107	24	17	91	52
1½"x1½"	10	66 05 450	21876	107	24	17	91	60
1½"x2"	10	66 05 451	21877	107	28	17	91	75
2"x2"	10	66 05 463	21878	124	28	19	113	75
3"x3"	10	66 05 490	26795	139	33	39	127	112

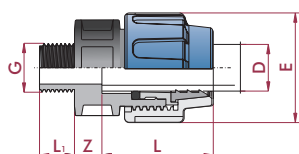
PP-P. 05. CPMT - PP COMPRESSION ADAPTOR

Adaptor

- Comp x NPT male thread
- IPS Standard

Enlace

- Comp x rosca macho NPT
- IPS Standard



D x G	PN	REF.	CODE	L	L ₁	Z	E
½"x½"	10	66 05 620	21883	49	14	14	46
½"x¾"	10	66 05 621	21884	49	16	14	46
½"x1"	10	66 05 622	21924	49	19	14	46
¾"x½"	10	66 05 624	21925	57	14	15	55
¾"x¾"	10	66 05 625	21926	57	16	15	55
¾"x1"	10	66 05 626	21927	57	19	15	55
1"x¾"	10	66 05 631	21928	80	16	16	65
1"x1"	10	66 05 632	21929	80	19	16	65
1"x1¼"	10	66 05 633	21930	80	21	16	65
1¼"x1¼"	10	66 05 640	21931	91	21	22	80
1¼"x1½"	10	66 05 641	21932	91	21	22	80
1½"x1¼"	10	66 05 649	21933	107	21	23	91
1½"x1½"	10	66 05 650	21934	107	21	23	91
1½"x2"	10	66 05 651	21935	107	26	23	91
2"x1½"	10	66 05 662	21936	124	21	25	113
2"x2"	10	66 05 663	21937	124	26	25	113
3"x3"	10	66 05 690	26797	139	33	39	127
4"x4"	10	66 05 710	28119	146	39	29	151

CAPS TAPONES

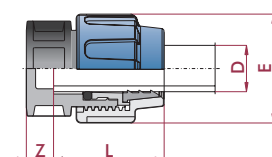
PP-P. 07. CP - PP COMPRESSION CAP

Cap

- Comp
- IPS Standard

Tapón

- Comp
- IPS Standard



D	PN	REF.	CODE	L	Z	E
½"	16	66 07 020	21942	49	14	46
¾"	16	66 07 025	22212	57	15	55
1"	16	66 07 032	21943	80	16	65
1¼"	16	66 07 040	21944	91	22	80
1½"	16	66 07 050	21945	107	23	91
2"	16	66 07 063	21946	124	25	113

COMPRESSION FITTINGS - UNIVERSAL SERIES

ACCESORIOS DE COMPRESIÓN - SERIE UNIVERSAL



FEATURES

The Cepex Universal Compression Fitting (UCF) is a new generation of mechanical fitting designed to make connections simple when joining Metric polyethylene (PE) pipe to another pipe made of a different material (metallic pipe: copper, lead, galvanised / plastic pipe: PVC, PP, PE).

The UCF's design simplifies installation for most pipe sizes, even in confined spaces. Simply insert the pipes directly into the fitting and tighten the nuts (special tools not required).

- Versions: Universal x PE or Universal x Universal (repair coupling).
- Sizes for Universal end: 15-21 mm, 21-27 mm & 27-35 mm.
- Hard stainless steel grippers provide superior end load resistance.
- One fitting connects to any recommended pipe material, greatly reducing stock levels compared to conventional fittings.
- Working pressure at 20°C (73°F) water temperature: PN 10

CARACTERÍSTICAS

El Accesorio de Compresión Universal Cepex (UCF) representa una nueva generación de accesorios mecánicos diseñados para hacer las uniones simples en el momento de unir tubería métrica de polietileno (PE) con tubería de cualquier otro tipo de material (tubo metálico: cobre, plomo, galvanizado / tubo plástico: PVC, PP, PE).

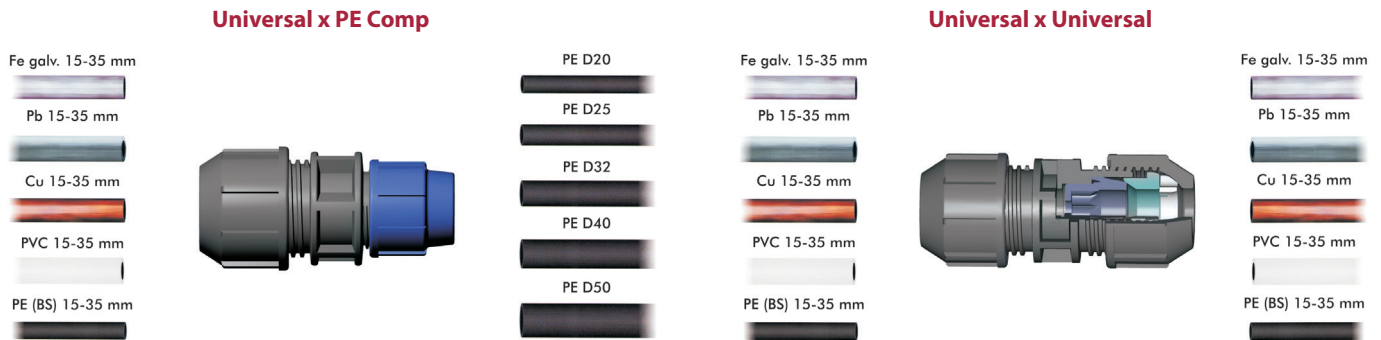
El diseño del UCF simplifica la instalación para la mayoría de tubos, especialmente en espacios reducidos. Simplemente introducimos el tubo directamente en el accesorio y apretamos las tuercas (sin necesidad de herramientas especiales).

- Versiones: Universal x PE o Universal x Universal (manguito de reparación).
- Medidas boca Universal: 15-21 mm, 21-27 mm y 27-35 mm.
- Fuertes agarres de acero inoxidable proporcionan una total resistencia a la tracción.
- Un único accesorio se conecta con cualquier material de tubo, reduciendo de forma considerable los estocs.
- Presión de servicio a 20°C (73°F) temperatura de agua: PN 10



FIG.	Parts	Despiece	Material
1	Split ring	Cono de fijación	POM + SS
2	Nut	Tuerca	PP
3	Insert	Casquillo de prensa	PP
4	Sealing ring	Junta	EPDM
5	Body	Cuerpo	PP

APPLICATION
APLICACIÓN



ASSEMBLY

Assembly instructions

- A.** Cut the pipe at a 90-degree angle (square cut). When possible, it is recommended to bevel the edges of the cut in order to make insertion easier.
- B.** Slacken the ring nut without removing from the body. In case the internal components are disassembled (for example due to its transport), please follow the assembly instructions for the components which can be found in the Kit assembly instructions.
- C.** Insert the pipe end without tightening the ring nut. Push the fitting until the pipe reaches the stop.
- D.** Hand tighten the ring nut and then tighten further with a proper tool.

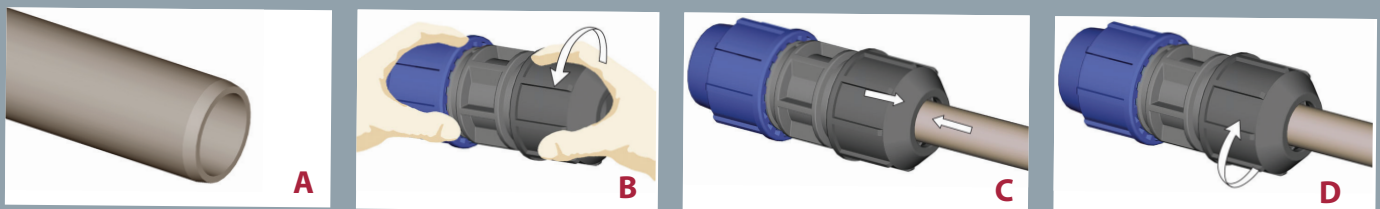
Do not screw the Universal nut without pipe.

MONTAJE

Instrucciones de instalación

- A.** Cortar el tubo a 90°. Cuando sea posible, es recomendable chaflanar los bordes de entrada del tubo para facilitar su inserción.
- B.** Aflojar la tuerca sin terminar de separar del cuerpo. En caso de que los componentes hayan llegado desmontados (por ejemplo a causa del transporte), seguir las indicaciones de montaje de los componentes en el apartado dedicado al KIT.
- C.** Insertar el extremo del tubo sin roscar la tuerca. Empujar el accesorio hasta que el tubo llegue al tope.
- D.** Roscar manualmente la tuerca y posteriormente apretar con la llave adecuada.

No roscar nunca la tuerca del conjunto universal sin tubo.



ASSEMBLY INSTRUCTIONS: KIT

Kit allows to transform any Performance Series port in a Universal one. The steps involved in the assembly of the components are:

- A.** Disassemble all the components in the Performance Series port (PE) to transform: nut, clip ring, insert and O'ring. Prepare the components of the Universal kit.
- B.** Insert the Universal sealing ring (4) in the body (5), as in the enclosed picture, until the upper edge becomes virtually aligned with the edge of the body. Due to the existing friction between the body and the sealing ring, specially in the bigger sizes, sealing ring insertion may require an additional effort.
- C.** Place the Universal insert (3) so that it is positioned above the sealing ring and with the flat surface upwards (see enclosed picture).
- D.** Place the Universal split ring (2) above the insert (3), so that the steel grippers lean on the flat surface of the insert (see enclosed picture).
- E.** Place the Universal nut (1) and tighten clockwise by just one screw thread, leaving it prepared for pipe insertion.

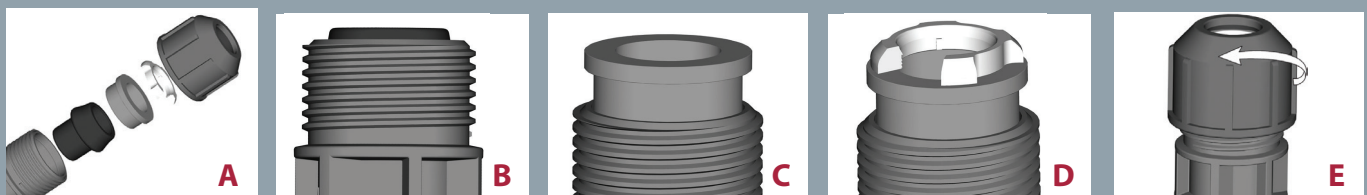
Do not screw the Universal nut without pipe.

INSTRUCCIONES DE MONTAJE: KIT

El kit permite transformar cualquier boca de la Serie Performance en Universal. Los pasos para el montaje de los componentes son:

- A.** Desmontar todos los componentes presentes en la boca Performance (PE) a transformar: tuerca, clering, portajuntas y junta tórica. Preparar todos los componentes del kit Universal.
- B.** Introducir la junta especial Universal (4) en el cuerpo (5) según la imagen adjunta, hasta que el borde superior quede prácticamente alineado con el borde del cuerpo. Debido a la interferencia existente entre el cuerpo y la junta, y especialmente en los diámetros grandes, la introducción de la junta puede requerir de un esfuerzo adicional.
- C.** Colocar el casquillo prensa Universal (3) de forma que quede posicionado encima de la junta y con la superficie plana hacia arriba (ver imagen adjunta).
- D.** Colocar el cono de fijación Universal (2) encima del casquillo prensa (3), de forma que las piezas metálicas se apoyen sobre la superficie plana del casquillo prensa (ver imagen adjunta).
- E.** Colocar la tuerca Universal (1) y rosca en sentido horario un hilo de rosca, dejándola preparada para la inserción del tubo.

No rosca nunca la tuerca del conjunto universal sin tubo.



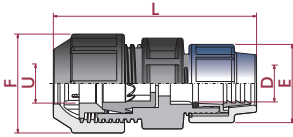
In order to disassemble the Universal nut, follow the Kit assembly instructions in reverse order, keeping in mind that the Universal split ring may require a manual opening of the ends to unnailed the steel grippers from the pipe.

Para desmontar la boca Universal proceder a la inversa con los pasos referidos al montaje del KIT, teniendo en cuenta que el clering Universal puede requerir de la apertura manual de sus extremos para desclavar los dientes metálicos del tubo.

PP-P. 05. UCF1 - PP UNIVERSAL FITTING

Universal fitting
• Universal x Comp

Accesorio universal
• Universal x Comp



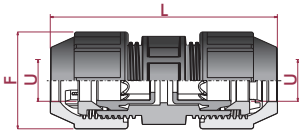
U x D	PN	REF.	CODE
15-21 x 20	10	11 46 020	27860
15-21 x 25	10	11 46 024	27861
15-21 x 32	10	11 46 030	27862
21-27 x 25	10	11 46 025	28817
21-27 x 32	10	11 46 031	28818
21-27 x 40	10	11 46 038	28819
27-35 x 32	10	11 46 032	28820
27-35 x 40	10	11 46 039	28821
27-35 x 50	10	11 46 048	28822

L	E	F
119	44	55
128	56	55
151	66	55
136	56	65
159	66	65
170	80	65
174	66	80
186	80	80
202	94	80

PP-P. 05. UCF2 - PP UNIVERSAL FITTING

Universal fitting
• Universal x Universal

Accesorio universal
• Universal x Universal



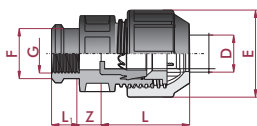
U x U	PN	REF.	CODE
15-21 x 15-21	10	11 45 020	27863
21-27 x 21-27	10	11 45 025	28823
27-35 x 27-35	10	11 45 032	28824

L	F
140	55
152	65
183	80

PP-U. 05. UCFFT - PP UNIVERSAL ADAPTOR

Universal adaptor
• Universal x female thread BSP

Adaptador universal
• Universal x rosca hembra BSP



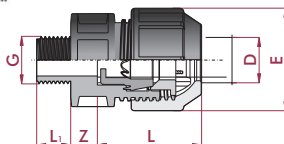
U x G	PN	REF.	CODE
15-21 x 3/4"	10	11 45 425	54800
21-27 x 1"	10	11 45 432	54801
27-35 x 1 1/4"	10	11 45 440	54802

L	L1	Z	E	F
58	19	12	55	35
81	22	15	65	41
92	24	17	80	52

PP-U. 05. UCFMT - PP UNIVERSAL ADAPTOR

Universal adaptor
• Universal x male thread BSP

Adaptador universal
• Universal x rosca macho BSP



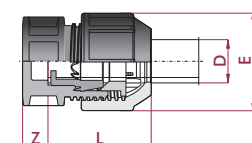
U x G	PN	REF.	CODE
15-21 x 3/4"	10	11 45 625	54803
21-27 x 1"	10	11 45 632	54804
27-35 x 1 1/4"	10	11 45 640	54805

L	L1	Z	E
58	16	15	55
81	19	16	65
92	21	22	80

PP-U. 07. UCF - PP UNIVERSAL CAP

Universal cap
• Universal

Tapón universal
• Universal



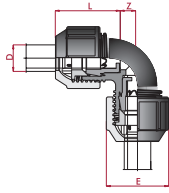
U	PN	REF.	CODE
15-21	10	11 37 025	54806
21-27	10	11 37 032	54807
27-35	10	11 37 040	54808

L	Z	E
58	15	55
81	16	65
92	22	80

PP-U. 01. UCF - PP UNIVERSAL ELBOW

Universal elbow 90°
• Universal x universal

Codo 90° universal
• Universal x universal



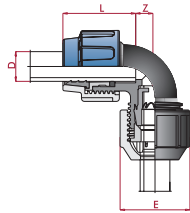
U x U	PN	REF.	CODE
15-21 x 15-21	10	11 41 025	55104
21-27 x 21-27	10	11 41 032	55105
27-35 x 27-35	10	11 41 040	55106

L	Z	E
58	16	55
81	18	65
92	24	80

PP-U. 01. UCFCP - PP UNIVERSAL ELBOW

Universal elbow 90°
• Universal x compression

Codo 90° universal
• Universal x comp



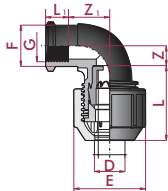
U x D	PN	REF.	CODE
15-21 x 25	10	11 49 025	54997
21-27 x 25	10	-	55116
21-27 x 32	10	11 49 032	54998
27-35 x 40	10	11 49 040	54999

L	Z	E
58	16	55
81	18	55
81	18	65
92	24	80

PP-U. 01. UCFFT - PP UNIVERSAL ELBOW

Universal elbow 90°
• Universal x female thread BSP

Codo 90° universal
• Universal x rosca hembra BSP



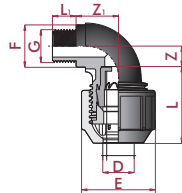
U x G	PN	REF.	CODE
15-21 x 3/4"	10	11 41 425	54809
21-27 x 1"	10	11 41 432	54810
27-35 x 1 1/4"	10	11 41 440	54811

L	L1	Z	Z1	E	F
58	19	16	31	55	34
81	22	18	43	65	41
92	24	24	54	80	52

PP-U. 01. UCFMT - PP UNIVERSAL ELBOW

Universal elbow 90°
• Universal x male thread BSP

Codo 90° universal
• Universal x rosca macho BSP



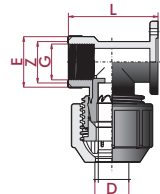
U x G	PN	REF.	CODE
15-21 x 3/4"	10	11 41 625	54812
21-27 x 1"	10	11 41 632	54813
27-35 x 1 1/4"	10	11 41 640	54814

L	L1	Z	Z1	E	F
58	16	16	34	55	30
81	19	18	45	65	36
92	21	24	59	81	48

PP-U. 01. UCFWR - PP UNIVERSAL ELBOW

Universal elbow 90°
• Universal x female thread BSP - wall

Codo 90° universal
• De pared - Universal x rosca hembra BSP



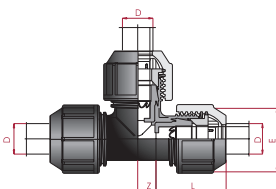
U x G	PN	REF.	CODE
15-21 x 3/4"	10	11 41 325	55000

L	Z	E
65	32	36

PP-U. 03. UCF - PP UNIVERSAL TEE

Universal tee
• Universal x universal x universal

Té universal
• Universal x universal x universal



U x U x U	PN	REF.	CODE
15-21	10	11 43 025	55107
21-27	10	11 43 032	55108
27-35	10	11 43 040	55109

L	Z	E
58	16	55
81	18	65
92	24	80

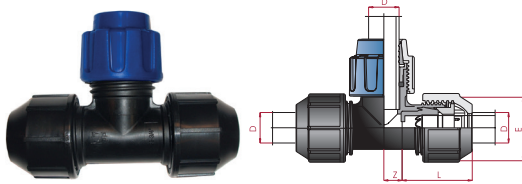
PP-U. 03. UCFCF - PP UNIVERSAL TEE

Universal tee

• Universal x comp x universal

Té universal

• Universal x comp x universal



U x D x U	PN	REF.	CODE
15-21 x 25 x 15-21	10	11 48 025	55001
21-27 x 32 x 21-27	10	11 48 032	55002
27-35 x 40 x 27-35	10	11 48 040	55003

L	Z	E
58	16	56
81	18	65
92	24	81

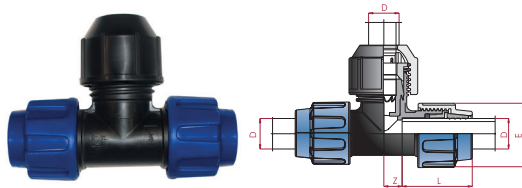
PP-U. 03. CPUCF - PP UNIVERSAL TEE

Universal tee

• Comp x universal x comp

Té universal

• Comp x universal x comp



D x U x D	PN	REF.	CODE
25 x 15-21 x 25	10	11 44 025	55004
32 x 21-27 x 32	10	11 44 032	55005
40 x 27-35 x 40	10	11 44 040	55103

L	Z	E
58	16	56
81	18	65
92	24	81

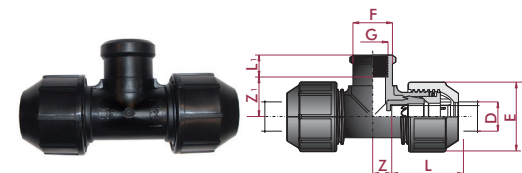
PP-U. 03. UCFFT - PP UNIVERSAL TEE

Universal tee

• Universal x female thread BSP

Té universal

• Universal x rosca hembra BSP



U x G x U	PN	REF.	CODE
15-21 x 3/4" x 15-21	10	11 43 425	55110
21-27 x 1" x 21-27	10	11 43 432	55111
27-35 x 1 1/4" x 27-35	10	11 43 440	55115

L	L1	Z	Z1	E	F
58	19	19	31	55	34
81	22	18	43	65	41
92	24	24	54	80	52

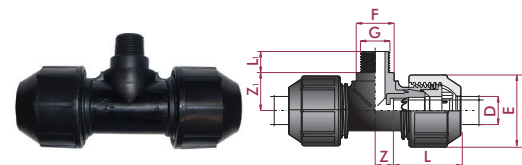
PP-U. 03. UCFMT - PP UNIVERSAL TEE

Universal tee

• Universal x male thread BSP

Té universal

• Universal x rosca macho BSP



U x G x U	PN	REF.	CODE
15-21 x 3/4" x 15-21	10	11 43 625	55113
21-27 x 1" x 21-27	10	11 43 632	55114
27-35 x 1 1/4" x 27-35	10	11 43 640	55115

L	L1	Z	Z1	E	F
58	16	16	34	55	30
81	19	18	45	65	36
92	21	24	59	80	48

PP-P. 05. UCF3 - PP UNIVERSAL KIT

Universal fitting

• Universal conversion kit

Accesorio universal

• Kit transf. en universal



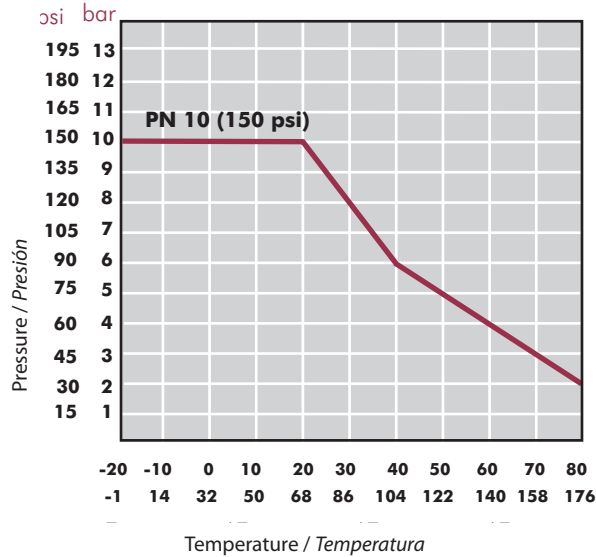
U / D	REF.	CODE
15-21 / 25	11 47 020	27864
21-27 / 32	11 47 025	28825
27-35 / 40	11 47 032	28826

COMPRESSION FITTINGS - STANDARD SERIES

ACCESORIOS DE COMPRESIÓN - SERIE STANDARD



PRESSURE / TEMPERATURE GRAPH
DIAGRAMA PRESIÓN / TEMPERATURA



Life: 25 years
Hydrostatic maximum pressure a component may withstand in continuous service (without overpressure)

Vida útil: 25 años
Presión hidrostática máxima que un componente es capaz de soportar en servicio continuo (sin sobrepresión)

Performance of plastic materials in contact with non-dangerous fluids. The durability of those parts exposed to fluids will depend on the working conditions

Valores indicativos para materiales en contacto con fluidos no peligrosos. La vida en las partes expuestas a los fluidos dependerá de las condiciones de trabajo.

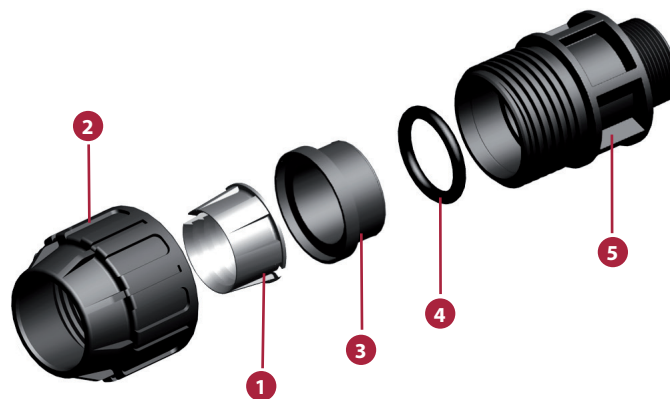


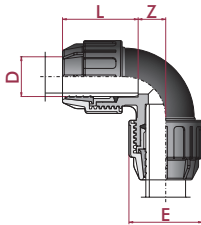
FIG.	Parts	Despiece	Material
1	Split ring	Cono de fijación	POM
2	Nut	Tuerca	PP
3	Insert	Casquillo prensa	PP
4	O-ring	Junta tórica	NBR 70
5	Body	Cuerpo	PP

ELBOWS
CODOS

PP-S. 01. CP - PP COMPRESSION ELBOW

90° elbow
• Comp x Comp

Codo 90°
• Comp x Comp



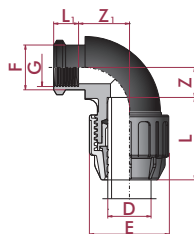
D	DN	PN	REF.	CODE
16 x 16	10	10	22 01 016	24671
20 x 20	15	10	22 01 020	24672
25 x 25	20	10	22 01 025	24673
32 x 32	25	10	22 01 032	24674
40 x 40	32	10	22 01 040	24675
50 x 50	40	10	22 01 050	24676
63 x 63	50	10	22 01 063	24677

L	Z	E
34	12	36
40	13	40
49	17	50
56	18	58
79	21	72
102	28	91
117	32	113

PP-S. 01. CPFT - PP COMPRESSION ELBOW

90° elbow
• Comp x BSP female thread

Codo 90°
• Comp x rosca hembra BSP



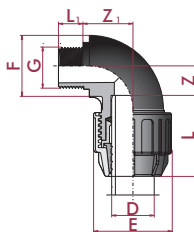
D x G	DN	PN	REF.	CODE
16 x 1/2"	10 x 15	10	22 01 417	24679
20 x 1/2"	15 x 15	10	22 01 420	24680
20 x 3/4"	15 x 20	10	22 01 421	24681
25 x 1/2"	20 x 15	10	22 01 424	24682
25 x 3/4"	20 x 20	10	22 01 425	24683
32 x 3/4"	25 x 20	10	22 01 431	24685
32 x 1"	25 x 25	10	22 01 432	24686
40 x 1 1/4"	32 x 32	10	22 01 440	24687
50 x 1 1/2"	40 x 40	10	22 01 450	24689
63 x 2"	50 x 50	10	22 01 463	24691

L	L ₁	Z	Z ₁	E	F
34	14	12	19	36	25
40	16	13	20	40	26
40	16	12	21	40	33
49	19	17	25	50	26
49	19	17	25	50	33
56	19	18	27	58	33
56	22	18	27	58	40
79	22	21	32	72	53
102	25	28	58	92	61
117	28	32	67	113	76

PP-S. 01. CPM T - PP COMPRESSION ELBOW

90° elbow
• Comp x BSP male thread

Codo 90°
• Comp x rosca macho BSP



D x G	DN	PN	REF.	CODE
16 x 1/2"	10 x 15	10	22 01 617	24693
20 x 1/2"	15 x 15	10	22 01 620	24694
20 x 3/4"	15 x 20	10	22 01 621	24695
25 x 1/2"	20 x 15	10	22 01 624	24696
25 x 3/4"	20 x 20	10	22 01 625	24697
25 x 1"	20 x 25	10	22 01 626	25198
32 x 1"	25 x 25	10	22 01 632	24698
40 x 1 1/4"	32 x 32	10	22 01 640	24699
50 x 1 1/2"	40 x 40	10	22 01 650	24702
63 x 2"	50 x 50	10	22 01 663	24704

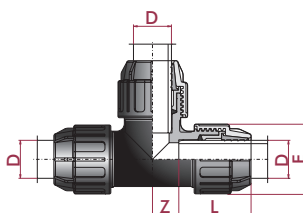
L	L ₁	Z	Z ₁	E	F
34	14	12	19	36	25
40	14	13	21	40	27
40	16	13	21	40	30
49	14	17	25	50	27
49	16	17	25	50	30
49	19	17	25	50	36
56	19	18	27	58	36
79	23	22	32	72	57
102	26	28	68	92	52
117	26	32	78	113	66

TEES
TÉS

PP-S. 03. CP - PP COMPRESSION TEE

90° Tee
• Comp x Comp x Comp

Té 90°
• Comp x Comp x Comp



D	DN	PN	REF.	CODE
16 x 16 x 16	10	10	22 03 016	24707
20 x 20 x 20	15	10	22 03 020	24708
25 x 25 x 25	20	10	22 03 025	24709
32 x 32 x 32	25	10	22 03 032	24710
40 x 40 x 40	32	10	22 03 040	24711
50 x 50 x 50	40	10	22 03 050	24712
63 x 63 x 63	50	10	22 03 063	24713

L	Z	E
34	13	36
40	13	40
49	16	50
56	18	58
79	23	72
101	28	91
118	32	113

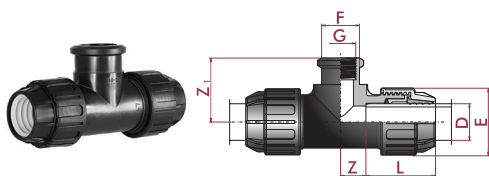
PP-S. 03. CPFT - PP COMPRESSION TEE

90° tee

• Comp x BSP female thread x Comp

Té 90°

• Comp x rosca hembra BSP x Comp



D x G x D	DN	PN	REF.	CODE
16 x 1/2" x 16	10 x 15	10	22 03 417	24633
20 x 1/2" x 20	15 x 15	10	22 03 420	24634
20 x 3/4" x 20	15 x 20	10	22 03 421	24635
25 x 1/2" x 25	20 x 15	10	22 03 424	24636
25 x 3/4" x 25	20 x 20	10	22 03 425	24637
32 x 1/2" x 32	25 x 15	10	22 03 430	24638
32 x 3/4" x 32	25 x 20	10	22 03 431	24639
32 x 1" x 32	25 x 25	10	22 03 432	24640
40 x 1 1/4" x 40	32 x 32	10	22 03 440	24641
50 x 1 1/2" x 50	40 x 50	10	22 03 450	24642
63 x 2" x 63	50 x 50	10	22 03 463	24644

L	Z	Z ₁	E	F
34	13	34	36	30
40	13	36	40	26
40	13	37	40	33
49	16	43	50	26
49	16	46	50	33
56	18	43	58	26
56	18	46	58	33
56	18	49	58	40
79	23	70	72	53
101	58	80	92	61
118	67	95	113	76

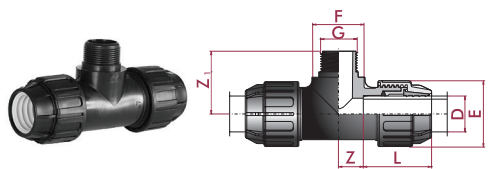
PP-S. 03. CPMT - PP COMPRESSION TEE

90° tee

• Comp x BSP male thread x Comp

Té 90°

• Comp x rosca macho BSP x Comp



D x G x D	DN	PN	REF.	CODE
16 x 1/2" x 16	10 x 15	10	22 03 617	24646
20 x 1/2" x 20	15 x 15	10	22 03 620	24647
20 x 3/4" x 20	15 x 20	10	22 03 621	24648
25 x 1/2" x 25	20 x 15	10	22 03 624	24649
25 x 3/4" x 25	20 x 20	10	22 03 625	24650
32 x 1/2" x 32	25 x 15	10	22 03 630	24651
32 x 1" x 32	25 x 25	10	22 03 632	24652
40 x 1 1/4" x 40	32 x 32	10	22 03 640	24653
50 x 1 1/2" x 50	40 x 50	10	22 03 650	24655
63 x 2" x 63	50 x 50	10	22 03 663	24656

L	Z	Z ₁	E	F
34	13	34	36	24
40	13	35	40	27
40	12	37	40	30
49	16	41	50	27
49	16	43	50	30
56	18	41	58	27
56	18	46	58	36
79	28	70	72	44
101	58	89	91	52
118	67	104	113	66

COUPLINGS
ENLACES

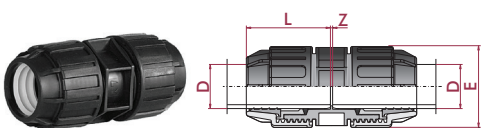
PP-S. 05. CP - PP COMPRESSION COUPLING

Coupling

• Comp x Comp

Manguito

• Comp x Comp



D	DN	PN	REF.	CODE
16 x 16	10	10	22 05 016	24657
20 x 20	15	10	22 05 020	24658
25 x 25	20	10	22 05 025	24659
32 x 32	25	10	22 05 032	24660
40 x 40	32	10	22 05 040	24661
50 x 50	40	10	22 05 050	24662
63 x 63	50	10	22 05 063	24663

L	Z	E
34	2	36
40	1	40
49	2	50
56	3	58
79	3	72
101	8	91
118	5	113

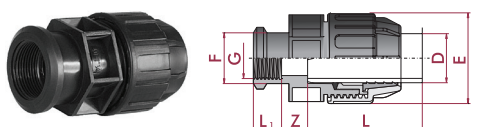
PP-S. 05. CPFT - PP COMPRESSION ADAPTOR

Adaptor

• Comp x BSP female thread

Enlace

• Comp x rosca hembra BSP



D x G	DN	PN	REF.	CODE
16 x 1/2"	10 x 15	10	22 05 417	24715
20 x 1/2"	15 x 15	10	22 05 420	24716
20 x 3/4"	15 x 20	10	22 05 421	24717
25 x 1/2"	20 x 15	10	22 05 424	24718
25 x 3/4"	20 x 20	10	22 05 425	24719
25 x 1"	20 x 25	10	22 05 426	24720
32 x 3/4"	25 x 20	10	22 05 431	24721
32 x 1"	25 x 25	10	22 05 432	24722
40 x 1"	32 x 25	10	22 05 439	24723
40 x 1 1/4"	32 x 32	10	22 05 440	24724
50 x 1 1/2"	40 x 50	10	22 05 450	24726
63 x 2"	50 x 50	10	22 05 463	24728

L	L ₁	Z	E	F
34	14	7	36	25
40	16	7	40	26
40	19	7	40	33
49	16	8	50	26
49	19	8	50	33
49	22	8	50	40
56	19	11	58	33
56	22	11	58	40
78	23	14	73	41
78	23	14	73	52
101	24	21	91	61
118	28	21	113	76

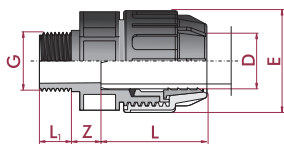
PP-S. 05. CPMT - PP COMPRESSION ADAPTOR

Adaptor

• Comp x BSP male thread

Enlace

• Comp x rosca macho BSP



D x G	DN	PN	REF.	CODE
16 x 1/2"	10 x 15	10	22 05 617	24730
20 x 1/2"	15 x 15	10	22 05 620	24731
20 x 3/4"	15 x 20	10	22 05 621	24732
20 x 1"	15 x 25	10	22 05 622	24733
25 x 1/2"	20 x 15	10	22 05 624	24734
25 x 3/4"	20 x 20	10	22 05 625	24735
25 x 1"	20 x 25	10	22 05 626	24739
32 x 3/4"	25 x 20	10	22 05 631	24740
32 x 1"	25 x 25	10	22 05 632	24741
32 x 1 1/4"	25 x 32	10	22 05 633	24742
40 x 1 1/4"	32 x 32	10	22 05 640	24743
40 x 1 1/2"	32 x 40	10	22 05 641	24744
50 x 1 1/2"	40 x 40	10	22 05 650	24746
63 x 2"	50 x 50	10	22 05 663	24749

L	L ₁	Z	E
34	14	7	36
40	14	9	40
40	16	9	40
40	19	9	40
49	14	11	50
49	16	11	50
49	19	11	50
56	16	12	58
56	19	12	58
56	19	12	58
78	21	14	72
78	21	14	72
101	21	25	91
118	25	30	113

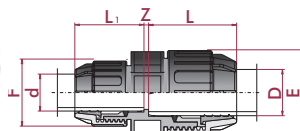
PP-S. 06. CPR - PP COMPRESSION REDUCER

Reducing coupling

• Comp x Comp

Manguito reducido

• Comp x Comp



D x d	DN	PN	REF.	CODE
20 x 16	10	10	22 06 020	24664
25 x 20	15	10	22 06 025	24665
32 x 25	20	10	22 06 032	24666
40 x 32	25	10	22 06 040	24667
50 x 40	32	10	22 06 050	24668
63 x 50	40	10	22 06 063	24669

L	L ₁	Z	E	F
33	68	3	40	25
49	33	3	50	40
56	47	3	58	52
78	56	3	72	58
108	92	5	91	72
125	108	8	113	91

CAPS TAPONES

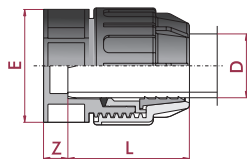
PP-S. 07. CP - PP COMPRESSION CAP

Cap

• Comp

Tapón

• Comp



D	DN	PN	REF.	CODE
16	10	10	22 07 016	24750
20	15	10	22 07 020	24751
25	20	10	22 07 025	24752
32	25	10	22 07 032	24753
40	32	10	22 07 040	24754
50	40	10	22 07 050	24755
63	50	10	22 07 063	24756

L	Z	E
34	3	36
40	3	40
49	10	50
56	13	58
78	14	72
108	23	92
125	25	114

TOOLS
HERRAMIENTAS
PP. 80. TLA - STRAP WRENCH

Strap wrench
 • For all fittings

Llave de cinta
 • Para todos los accesorios



D	REF.	CODE
<225	11 80 001	01609
-	11 80 00104	16239

Wrench / Clef / Llave / Chave
Tape / Bande / Cinta / Cinta

PP. 80. TLB - BEVELER

Beveler
 • For all pipes up to D200

Llave de achaflanar
 • Para todos los tubos hasta D200



D	REF.	CODE
<200	11 80 002	05160

--

PP. 81. TLC - PIPE CUTTER

Pipe cutters
 • For all pipes up to D

Tijeras cortatubos
 • Para todos los tubos hasta D



D	REF.	CODE
<25	11 81 001	05157
<40	11 81 002	05158
<75	11 81 003	05159

PP. 80. TLD - ASSEMBLY WRENCH

Assembly wrench
 • For pipe D20 - D50

Llave para montajes
 • Para tubo D20 - D50



D	REF.	CODE
20-50	11 80 003	23138

--

CLAMP SADDLES

COLLARINES DE TOMA



FEATURES

Material: PP
 To be installed on pipes conforming to:
 - PE: EN 12201 / ISO 3607 / ISO 14236 / DIN 8072 / DIN 8074 / UNI 10910
 - PP: ISO 3609 / DIN 8077 / UNI 8318
 - PVC-U: EN 1452-2

CARACTERÍSTICAS

Material: PP
 Para instalación sobre tubos según normas:
 - PE: EN 12201 / ISO 3607 / ISO 14236 / DIN 8072 / DIN 8074 / UNI 10910
 - PP: ISO 3609 / DIN 8077 / UNI 8318
 - PVC-U: EN 1452-2

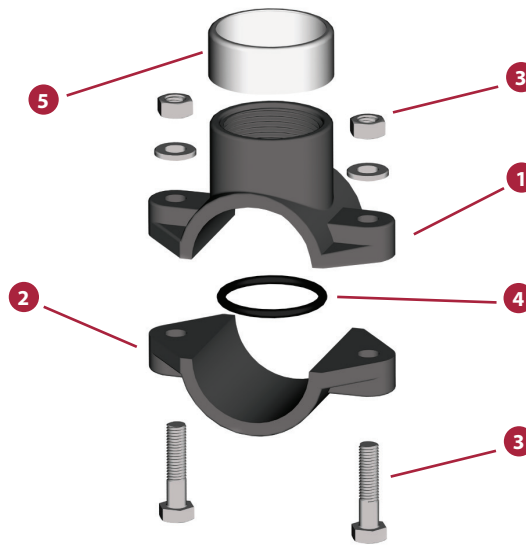


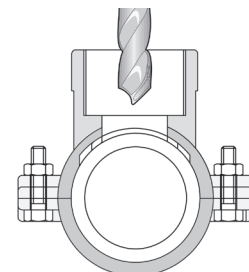
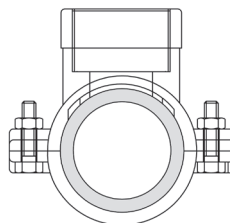
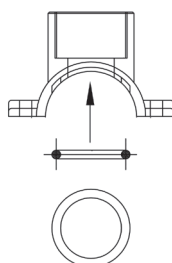
FIG.	Parts	Despiece	Material
1	Upper body	Parte superior	PP
2	Lower body	Parte inferior	PP
3	Bolts and nuts	Tornillos y tuercas	Zinc plated steel
4	O-ring	Junta tórica	NBR 70
5	Reinforcing ring	Anillo de refuerzo	Stainless steel

ASSEMBLY

- A.** Clean the external surface of the pipe. Be sure that the O-Ring is in its position.
- B.** Couple the upper portion of the saddle with the lower one on the pipe. Insert the bolts, screw in the nuts and tighten the bolts diagonally opposite each other.
- C.** Drill a hole in the pipe wall. Do not damage the O-Ring or the pipe near the seal zone. Use the right tools.

MONTAJE

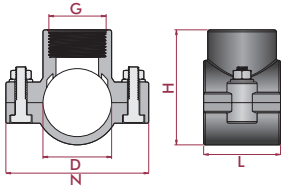
- A.** Eliminar las impurezas exteriores del tubo. Asegurar que la junta tórica esté bien posicionada.
- B.** Acoplar la parte superior del collarín con la inferior, sobre el tubo. Insertar los tornillos, rosca y apretar las tuercas en diagonal alternativamente.
- C.** Taladrar el tubo poniendo especial atención en no dañar la junta ni el tubo cerca de la zona de estanqueidad. Utilizar herramientas adecuadas.



PP. 53. CS - PP CLAMP SADDLE

Clamp saddle

Collarín de toma



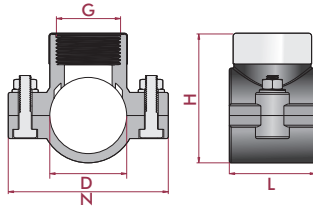
D x G	PN	REF.	CODE
25 x 1/2"	10	11 53 025	05287
25 x 3/4"	10	11 53 026	06052
32 x 1/2"	10	11 53 031	05288
32 x 3/4"	10	11 53 032	05289
32 x 1"	10	11 53 033 *	20596
40 x 1/2"	10	11 53 038	05138
40 x 3/4"	10	11 53 039	05139
40 x 1"	10	11 53 040	05140
50 x 1/2"	10	11 53 048	05141
50 x 3/4"	10	11 53 049	05142
50 x 1"	10	11 53 050	05143
50 x 1 1/4"	10	11 53 051	28674
63 x 1/2"	10	11 53 061	28675
63 x 3/4"	10	11 53 062	05145
63 x 1"	10	11 53 063	05146
63 x 1 1/4"	10	11 53 064	28676
63 x 1 1/2"	10	11 53 065	05441
75 x 1/2"	6	11 53 073 *	05438
75 x 3/4"	6	11 53 074 *	05439
75 x 1"	6	11 53 075 *	05148
75 x 1 1/4"	6	11 53 076 *	28677
75 x 1 1/2"	6	11 53 077 *	05150
90 x 1/2"	6	11 53 088 *	05440
90 x 3/4"	6	11 53 089 *	06011
90 x 1"	6	11 53 090 *	05152
90 x 1 1/4"	6	11 53 091 *	05153
90 x 1 1/2"	6	11 53 092 *	05154
110 x 1"	6	11 53 107 *	06013
110 x 1 1/2"	6	11 53 109 *	06015
110 x 2"	6	11 53 110 *	06016
125 x 1"	6	11 53 122 *	06018
125 x 1 1/2"	6	11 53 124 *	06020
125 x 2"	6	11 53 125 *	06021
140 x 1"	6	11 53 136 *	18785
140 x 1 1/2"	6	11 53 138 *	18786
140 x 2"	6	11 53 139 *	18787
140 x 3"	6	11 53 140 *	18788
160 x 1"	6	11 53 156 *	18789
160 x 1 1/2"	6	11 53 158 *	18790
160 x 2"	6	11 53 159 *	18791
160 x 3"	6	11 53 160 *	18792
200 x 1 1/4"	6	11 53 196 *	18793
200 x 1 1/2"	6	11 53 197 *	18794
200 x 2"	6	11 53 198 *	18795
200 x 3"	6	11 53 199 *	18796
200 x 4"	6	11 53 200 *	18797
225 x 1 1/4"	6	11 53 221 *	18798
225 x 1 1/2"	6	11 53 222 *	18799
225 x 2"	6	11 53 223 *	18800
225 x 3"	6	11 53 224 *	18801
225 x 4"	6	11 53 225 *	18802
250 x 1 1/4"	6	11 53 246 *	18803
250 x 1 1/2"	6	11 53 247 *	18804
250 x 2"	6	11 53 248 *	18805
250 x 3"	6	11 53 249 *	18806
250 x 4"	6	11 53 250 *	18807
315 x 1 1/4"	6	11 53 311 *	18808
315 x 1 1/2"	6	11 53 312 *	18809
315 x 2"	6	11 53 313 *	18810
315 x 3"	6	11 53 314 *	18811
315 x 4"	6	11 53 315 *	18812

N	L	H	Bolts qty.
67	24	52	2
67	24	52	2
79	31	61	2
79	31	61	2
79	31	67	2
85	50	74	2
85	50	74	2
85	50	74	2
103	52	84	2
103	52	84	2
103	52	84	2
103	52	84	2
101	70	96	4
101	70	103	4
101	70	103	4
101	70	103	4
101	70	103	4
114	75	113	4
114	75	113	4
114	75	113	4
114	75	113	4
114	75	113	4
125	84,5	129	4
125	84,5	129	4
125	84,5	129	4
125	84,5	129	4
150	99	151	4
150	99	151	4
150	99	151	4
171	99,5	167	4
171	99,5	167	4
171	99,5	167	4
180	137	188,5	6
180	137	188,5	6
180	137	188,5	6
180	137	188,5	6
208	137	213	6
208	137	213	6
208	137	213	6
208	137	213	6
270	195	247	6
270	195	243	6
270	195	246	6
270	195	252	6
270	195	255,5	6
300	195	273	6
300	195	274,5	6
300	195	271	6
300	195	279	6
300	195	280	6
330	244	295,5	6
330	244	296	6
330	244	296	6
330	243	298	6
330	243	298	6
400	244	376	6
400	244	376	6
400	244	376	6
400	244	380,5	6
400	244	384,5	6

PP. 54. CS - PP CLAMP SADDLE

Reinforced clamp saddle

Collarín de toma reforzado



D x G	PN	REF.	CODE
25 x 1/2"	10	11 54 025	11435
25 x 3/4"	10	11 54 026	02379
32 x 1/2"	10	11 54 031	11436
32 x 3/4"	10	11 54 032	11437
32 x 1"	10	11 54 033 *	02380
40 x 1/2"	10	11 54 038	11438
40 x 3/4"	10	11 54 039	11439
40 x 1"	10	11 54 040	02381
50 x 1/2"	10	11 54 048	11440
50 x 3/4"	10	11 54 049	11441
50 x 1"	10	11 54 050	02382
50 x 1 1/4"	10	11 54 051	28678
63 x 1/2"	10	11 54 061	28679
63 x 3/4"	10	11 54 062	11442
63 x 1"	10	11 54 063	02383
63 x 1 1/4"	10	11 54 064	28680
63 x 1 1/2"	10	11 54 065	11443
75 x 1/2"	10	11 54 073 *	11444
75 x 3/4"	10	11 54 074 *	11445
75 x 1"	10	11 54 075 *	02384
75 x 1 1/4"	10	11 54 076 *	28681
75 x 1 1/2"	10	11 54 077 *	11446
90 x 1/2"	10	11 54 088 *	11447
90 x 3/4"	10	11 54 089 *	11448
90 x 1"	10	11 54 090 *	02385
90 x 1 1/4"	10	11 54 091 *	11449
90 x 1 1/2"	10	11 54 092 *	11450
110 x 1"	10	11 54 107 *	02386
110 x 1 1/2"	10	11 54 109 *	11451
110 x 2"	10	11 54 110 *	11452
125 x 1"	10	11 54 122 *	11453
125 x 1 1/2"	10	11 54 124 *	11454
125 x 2"	10	11 54 125 *	11455
140 x 1"	10	11 54 136 *	06022
140 x 1 1/2"	10	11 54 138 *	06024
140 x 2"	10	11 54 139 *	06025
140 x 3"	10	11 54 140 *	06026
160 x 1"	10	11 54 156 *	06027
160 x 1 1/2"	10	11 54 158 *	06029
160 x 2"	10	11 54 159 *	06030
160 x 3"	10	11 54 160 *	06031
200 x 1 1/4"	10	11 54 196 *	06032
200 x 1 1/2"	10	11 54 197 *	06033
200 x 2"	10	11 54 198 *	06034
200 x 3"	10	11 54 199 *	06035
200 x 4"	10	11 54 200 *	06036
225 x 1 1/4"	10	11 54 221 *	06037
225 x 1 1/2"	10	11 54 222 *	06038
225 x 2"	10	11 54 223 *	06039
225 x 3"	10	11 54 224 *	06040
225 x 4"	10	11 54 225 *	06041
250 x 1 1/4"	10	11 54 246 *	06042
250 x 1 1/2"	10	11 54 247 *	06043
250 x 2"	10	11 54 248 *	06044
250 x 3"	10	11 54 249 *	06045
250 x 4"	10	11 54 250 *	06046
315 x 1 1/4"	10	11 54 311 *	06047
315 x 1 1/2"	10	11 54 312 *	06048
315 x 2"	10	11 54 313 *	06049
315 x 3"	10	11 54 314 *	06050
315 x 4"	10	11 54 315 *	06051

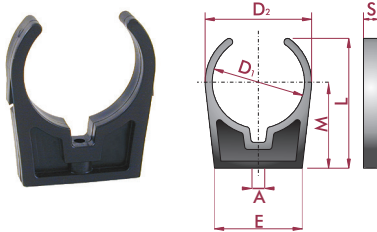
N	L	H	Bolts qty.
67	24	52,5	2
67	24	52,5	2
79	31	61,5	2
79	31	61,5	2
79	31	67,5	2
85	50	74,5	2
85	50	74,5	2
85	50	74,5	2
103	52	84,5	2
103	52	84,5	2
103	52	84,5	2
103	52	84,5	2
101	70	96	4
101	70	103,5	4
101	70	103,5	4
101	70	103,5	4
101	70	103,5	4
114	75	113	4
114	75	113	4
114	75	113	4
114	75	113	4
114	75	113	4
125	84,5	129	4
125	84,5	129	4
125	84,5	129	4
125	84,5	129	4
125	84,5	129	4
150	99	151	4
150	99	151	4
150	99	151	4
171	99,5	167	4
171	99,5	167	4
171	99,5	167	4
171	99,5	167	4
180	137	188,5	6
180	137	188,5	6
180	137	188,5	6
180	137	188,5	6
208	137	213	6
208	137	213	6
208	137	213	6
208	137	213	6
270	195	247	6
270	195	243	6
270	195	246	6
270	195	252	6
270	195	255,5	6
300	195	273	6
300	195	274,5	6
300	195	271	6
300	195	279	6
300	195	280	6
330	244	295,5	6
330	244	296	6
330	244	296	6
330	243	298	6
330	243	298	6
400	244	376	6
400	244	376	6
400	244	376	6
400	244	376	6
400	244	380,5	6
400	244	384,5	6

PIPE CLIPS
PINZAS

PP. 20. OP - PP PIPE CLIP

PP open pipe clip
• Metric series

Pinza abierta en PP
• Serie métrica



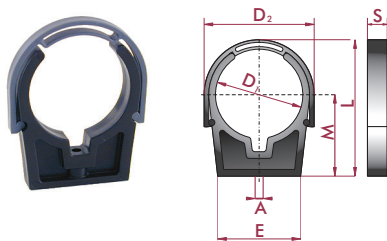
D ₁	REF.	CODE
20	11 20 020	02132
25	11 20 025	02133
32	11 20 032	02134
40	11 20 040	02135
50	11 20 050	02136
63	11 20 063	02137
75	11 20 075	02138
90	11 20 090	02139
110	11 20 110	08908
125	11 20 125	08909
140	11 20 140	10955
160	11 20 160	08910
200	11 20 200	08911
225	11 20 225	10957

L	S	E	D ₂	M	A
38	12	19	26	29	5,5
44	13	23	32	34	5,5
53	14	30	39	40	5,5
60	15	37	48	44	5,5
70	16	49	61	51	6,4
86	17	62	76	62	6,4
108	20	75	87	75	6,75
130	24	89	106	98	6,75
139	24	107	127	90	8,5
153	26	121	143	97	8,5
167	28	195	164	113	8,5
181	28	225	182	122	8,5
215	31	265	228	142	8,5
256	36	318	263	171	10,5

PP. 20. CL - PP PIPE CLIP

PP closed pipe clip
• Metric series

Pinza con cierre en PP
• Serie métrica



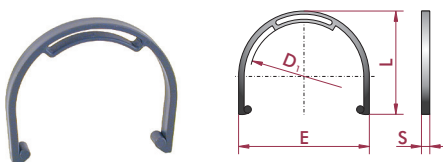
D ₁	REF.	CODE
50	11 20 450	02140
63	11 20 463	02141
75	11 20 475	02142
90	11 20 490	02143
110	11 20 510	08916
125	11 20 525	08917
140	11 20 540	10956
160	11 20 560	08918
200	11 20 599	08919
225	11 20 425	10958

L	S	E	D ₂	M	A
84	16	49	68	51	6,4
103	17	62	84	62	6,4
129	20	75	107	75	6,75
152	24	89	118	91	6,75
161	24	107	143	90	8,5
181	26	121	156	97	8,5
201	28	195	176	113	8,5
216	28	225	196	122	8,5
256	31	265	243	142	8,5
306	36	318	278	171	10,5

PP. 20. CP - PP PIPE CLIP

PP bridle clamp
• Metric series

Pestillo pinza en PP
• Serie métrica



D ₁	REF.	CODE
50	11 20 650	02144
63	11 20 663	02145
75	11 20 675	02146
90	11 20 690	02147
110	11 20 710	08912
125	11 20 725	08913
140	11 20 740	11300
160	11 20 760	08914
200	11 20 799	08915
225	11 20 625	11301

L	S	E
55	8	68
68	10	84
81	11	100
95	13	118
110	14	139
121	15	157
130	17	176
147	17	195
171	19	237
182	23	277

ASSEMBLY

Pipe clips spacing

Thermoplastic pipes need to be supported at certain intervals, which depend on several factors: material, temperature, density of the medium transported and pipe density. The following table summarizes the recommended spacing between pipe clips.

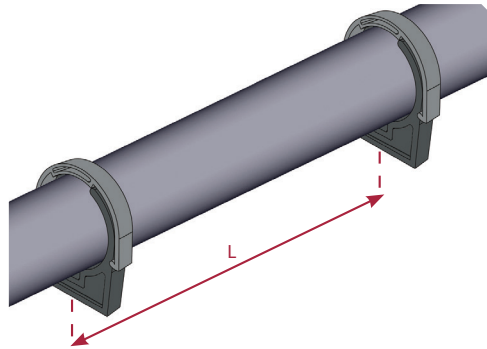
The values given in the tables are intended primarily as a guide.

MONTAJE

Espaciado de las pinzas

Las tuberías termoplásticas necesitan ser apoyadas cada ciertos intervalos, en función de varios factores: material, temperatura, densidad del medio transportado y densidad de la tubería. La tabla siguiente resume el espaciado recomendado entre las pinzas de fijación.

Los valores en las tablas son indicativos y deben ser utilizados como referencia.



Material Pipe outside diameter D (mm)	Recommended L value in cm for PVC-U (PN 16) pipes			Recommended L value in cm for PE (SDR 11) pipes		
	≤ 20°C	40°C	60°C	≤ 20°C	40°C	60°C
20	115	105	75	55	50	40
25	125	110	80	65	55	50
32	140	130	95	75	65	55
40	150	140	105	90	75	65
50	170	160	120	105	90	75
63	190	180	135	120	105	90
75	210	195	150	135	120	100
90	230	210	165	150	135	115
110	250	235	185	165	150	130
125	270	250	195	175	160	140
140	285	265	205	190	175	150
160	305	285	220	205	185	160
200	340	315	245	230	210	190
225	360	335	265	245	225	205

For PVC-U PN 10 pipes, multiply the values given in the table by 0,95

For PE SDR 17 pipes, multiply the values given in the table by 0,90

ATTENTION!

The Cepex pipe clips have been designed with the purpose of supporting the pipe, fixing anchoring points and spacing from a surface.

They should never be used as a single point of attachment of a complete system of pipes in a vertical wall, a roof, etc. it may cause damage to the products by not providing a stable grip for considerable weights.

So Cepex recommends the use of the clamps in horizontal installation, but not in vertical or inverted installation unless they are reinforced with some other type of clamping for the pipe.

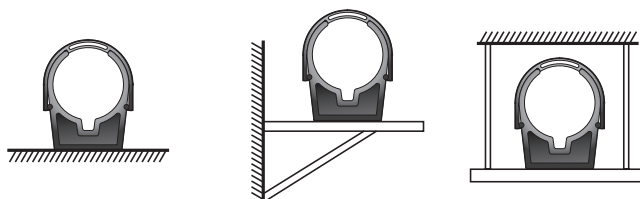
ATENCIÓN!

Las pinzas de fijación Cepex han sido diseñadas con los fines de apoyo de la tubería, fijación de puntos de anclaje y de espaciado desde una superficie.

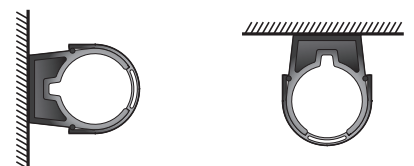
Nunca deben ser utilizadas como punto único de sujeción de un sistema completo de tuberías en una pared vertical, un techo, etc. pudiendo ocasionar desperfectos en los productos al no proporcionar un agarre estable para pesos considerables.

Así que Cepex recomienda el uso de las pinzas en instalación horizontal, pero no en instalación vertical o invertida si no es que van reforzadas con algún otro tipo de sujeción para la tubería.

**RECOMMENDED
RECOMENDADO**



**NOT RECOMMENDED
NO RECOMENDADO**



HOSE COUPLINGS

ACCESORIOS UNIÓN MANGUERA



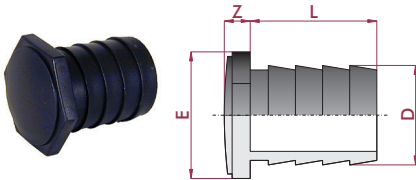
- A complete range of hose couplings in black polypropylene.
- PP hose couplings are ideal for irrigation applications.
- Perfect sealing thanks to sharper barbs and precision thread finishing.
- Range: The range of threaded fittings includes sizes from 30 to 45 mm.

- Gama completa de accesorios para manguera en polipropileno negro.
- Estos accesorios son ideales para aplicaciones de riego.
- Estanqueidad perfecta gracias a las lengüetas y al preciso acabado de la rosca.
- La gama incluye las medidas de 30 a 45 mm.

PP. 96. SP - PP HOSE PLUG

Hose plug

Tapón manguera



D	DN	REF.	CODE
30	25	11 96 030	01622
35	25	11 96 035	01623
40	32	11 96 040	01624
45	32	11 96 045	01625

L	Z	E
39	10	43
44	10	51
49	11	57
54	12	63

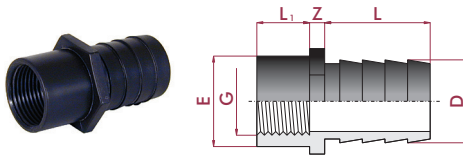
PP. 97. FTSP - PP HOSE COUPLING

Hose coupling

•BSP female thread

Entronque

• Rosca hembra BSP



D x G	DN	REF.	CODE
30 x 1"	25	11 97 030	01618
35 x 1"	25	11 97 035	01619
40 x 1 1/4"	32	11 97 040	01620
45 x 1 1/4"	32	11 97 045	01621

L	L ₁	Z	E
39	22	6	43
44	22	7	51
49	22	7	57
54	27	8	63

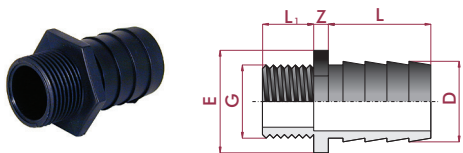
PP. 98. MTSP - PP HOSE COUPLING

Hose coupling

• BSP male thread

Entronque

• Rosca macho BSP



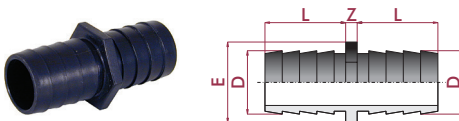
D x G	DN	REF.	CODE
30 x 1"	25	11 98 030	01614
35 x 1"	25	11 98 035	01615
40 x 1 1/4"	32	11 98 040	01616
45 x 1 1/4"	32	11 98 045	01617

L	L ₁	Z	E
39	19	6	43
44	19	7	51
49	22	7	57
54	27	8	63

PP. 99. SP - PP HOSE COUPLING

Hose coupling

Manguito manguera



D	DN	REF.	CODE
30 x 30	25	25	01610
35 x 35	25	25	01611
40 x 40	32	32	01612
45 x 45	32	32	01613

L	Z	E
39	6	43
44	7	51
49	7	57
54	8	63

THREADED SERIES SERIE ROSCADA



- A complete range of threaded fittings in black polypropylene.
- PP threaded fittings are ideal for most industrial chemical and irrigation applications.
- Perfect sealing thanks to the precision thread finishing.
- Range. The range of threaded fittings includes sizes from 1/2" to 2".
- Working pressure: PN 10 (150 psi).

- Gama completa de accesorios roscados en polipropileno negro.
- Ideales para aplicaciones de industria química o de riego.
- Estanqueidad perfecta gracias al preciso acabado de la rosca.
- La gama incluye medidas de 1/2" a 2".
- Presión de trabajo: PN 10 (150 psi).

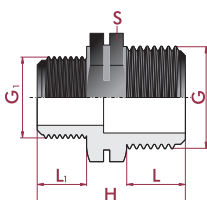
PP. 33. MTR - PP REDUCING NIPPLE

Reducing nipple

- BSP male x male thread

Reducción roscada

- Rosca macho x macho BSP



G x G ₁	DN	PN	REF.	CODE
3/4" x 1/2"	15	10	11 33 625	11740
1" x 3/4"	20	10	11 33 632	11742
1" x 1/2"	15	10	11 33 633	11741
1 1/4" x 1"	25	10	11 33 640	15884
1 1/2" x 1 1/4"	32	10	11 33 650	15885
2" x 1 1/2"	40	10	11 33 663	15886

L	L ₁	H	S
16	15	43	32
19	16	48	40
19	15	47	40
29	24	53	46
29	27	56	55
34	27	61	65

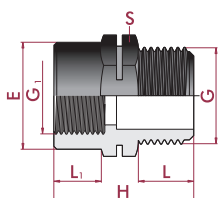
PP. 32. MFTR - PP REDUCING NIPPLE

Reducing nipple

- BSP male x female thread

Reducción roscada

- Rosca macho x hembra BSP



G x G ₁	DN	PN	REF.	CODE
3/4" x 1/2"	15	10	11 32 626	11743
1" x 3/4"	20	10	11 32 633	11745
1" x 1/2"	15	10	11 32 634	11744
1 1/4" x 1"	25	10	11 32 640	15887
1 1/2" x 1 1/4"	32	10	11 32 650	15888
2" x 1 1/2"	40	10	11 32 663	15889

L	L ₁	H	S
16	18	43	32
19	19	48	36
19	18	47	36
27	25	52	46
26	25	55	51
30	25	65	65

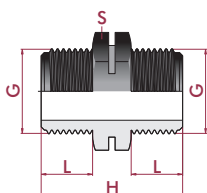
PP. 18. MT - PP NIPPLE

Nipple

- BSP male x male thread

Machón

- Rosca macho x macho BSP



G	DN	PN	REF.	CODE
1/2" x 1/2"	15	10	11 18 620	11734
3/4" x 3/4"	20	10	11 18 625	11735
1" x 1"	25	10	11 18 632	11736
1 1/4" x 1 1/4"	32	10	11 18 640	15878
1 1/2" x 1 1/2"	40	10	11 18 650	15879
2" x 2"	50	10	11 18 663	15880

L	H	S
14	40	27
16	44	32
19	51	36
21	55	46
21	56	55
26	66	65

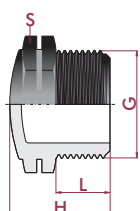
PP. 19. CAP - PP PLUG

Plug

- BSP male thread

Tapón

- Rosca macho BSP



G	DN	PN	REF.	CODE
1/2"	15	10	11 19 620	11737
3/4"	20	10	11 19 625	11738
1"	25	10	11 19 632	11739
1 1/4"	32	10	11 19 640	15881
1 1/2"	40	10	11 19 650	15882
2"	50	10	11 19 663	15883

L	H	S
14	28	27
16	30	32
19	34	36
21	39	46
21	40	55
26	45	65

SPIRAL BARB FITTINGS

CONEXIONES ESTRIADAS



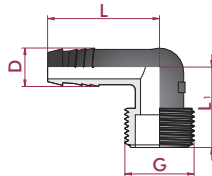
- High quality and reliability have made Cepex spiral barb fittings the preferred choice for irrigation applications.
- Engineered to provide a better grip and ease of installation.
- Special spiral barb allows "twist-on" connection of hose without need for glue or clamping.
- Hard polypropylene thermoplastic material for sharper barbs, strength, durability and chemical resistance.
- 6 models available:
 - SBE - Elbows (1/2" & 3/4")
 - SBA - Male adaptors (1/2" & 3/4")
 - SBC - Coupling
 - SBT - Tee
- Operating pressure: up to 6 bar (90 psi).
- Available with BSP (standard) or NPT threads (upon request).

- La gran calidad y fiabilidad han hecho de las conexiones estriadas Cepex la opción perfecta para aplicaciones de riego.
- Diseñados para ofrecer una mejor sujeción y una fácil instalación.
- Las estrías especiales permiten una conexión "twist-on" sin necesidad de cola o de abrazaderas.
- Fabricadas en polipropileno para una mayor durabilidad y resistencia química.
- 6 modelos disponibles:
 - SBE - Codo (1/2" & 3/4")
 - SBA - Adaptador macho (1/2" & 3/4")
 - SBC - Manguito
 - SBT - Te
- Presión de servicio: hasta 6 bar (90 psi).
- Disponible con roscas BSP (standard) o NPT (bajo pedido).

PP. 01. SBE - PP SB TEE

Spiral barb elbow

Codo rosca macho - espiga



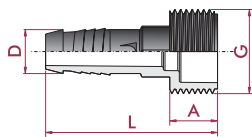
D x G	DN	PN	REF.	CODE
13,8 x 1/2"	9	5,5	11 01 720	21948
13,8 x 3/4"	9	5,5	11 01 725	21949

L	L ₁
45	34
45	34

PP. 05. SBA - PP SB ADAPTOR

Spiral barb adaptor

Adaptador rosca macho - espiga



D x G	DN	PN	REF.	CODE
13,8 x 1/2"	9	5,5	11 05 720	28670
13,8 x 3/4"	9	5,5	11 05 725	28671

L	A
54	15
54	15

PP. 05. SBC - PP SB COUPLING

Spiral barb coupling

Manguito espiga



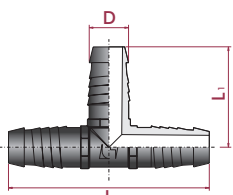
D	DN	PN	REF.	CODE
13,8x13,8	9	5,5	11 05 012	28672

L
55

PP. 03. SBT - PP SB TEE

Spiral barb tee

Té espiga



D	DN	PN	REF.	CODE
13,8x13,8x13,8	9	5,5	11 03 012	28673

L	L ₁
70	35

IRRIGATION FITTINGS

ACCESORIOS RIEGO



Poly cut-off riser

- It allows the adjustment of sprinklers at the ground level.
- Could be cut in different sizes.
- Flexible polypropylene thermoplastic material offering strength, durability and chemical resistance.
- Male threads available in several sizes.
- Working pressure: PN 6 (90 psi).

Assembly tee

- Self-Aligning manifold tee.
- Manifold tees go together to make a manifold (eg. electric valves).
- Fast and easy assemble by hand without special tools.
- Durable one-piece construction assures water-tight joints and long life.
- Non-corrosive, full-flow construction minimizes friction loss.
- Hard polypropylene thermoplastic material offering strength, durability and chemical resistance.
- Working pressure: PN 10 (150 psi).
- O-ring in NBR.

Bobina recortable

- Permiten el ajuste de difusores y aspersores al nivel de la superficie de la tierra.
- Puede ser cortada en distintas medidas.
- Fabricados en polipropileno flexible para mayor fuerza, durabilidad y resistencia química.
- Roscas disponibles en distintas medidas.
- Presión de trabajo: PN 6 (90 psi).

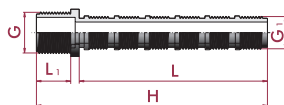
Té para montajes

- Té colectora auto-alineable.
- Unión de varias té para formar un colector (ej. para electroválvulas).
- Montaje fácil y rápido sin necesidad de herramientas especiales.
- Construcción en una sola pieza que asegura juntas anti-escapes y una larga vida.
- No corrosivo, su construcción asegura una mínima pérdida de carga.
- Fabricados en polipropileno duro para mayor fuerza, durabilidad y resistencia química.
- Presión de trabajo: PN 10 (150 psi).
- Junta tórica en NBR.

PP. 52. IRR - PP RISER

Poly cut-off riser

Bobina recortable



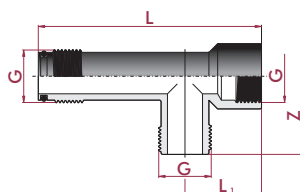
G x G ₁	DN	PN	REF.	CODE
1/2" x 1/2"	14	6	11 52 620	09660
3/4" x 1/2"	14	6	11 52 624	09661
3/4" x 3/4"	19	6	11 52 625	09662

L	L ₁	H
123	16	145
123	21	150
115	23	148

PP. 43. IRR - PP ASSEMBLY TEE

Tee for assembly

Té para montajes



G	DN	PN	REF.	CODE
3/4"	20	10	11 43 625	21732
1"	22	10	11 43 632	18566

L	Z	L ₁
120	49	49
140	49	48

VALVE BOXES
ARQUETAS DE RIEGO

01

PAG. 668

VALVE BOXES

ARQUETAS

FEATURES

- Valve boxes for underground construction or irrigation systems.
- Ideal protection for manually operated valves, electrovalves, watermeters, etc.
- EN124 A15 compliant.
- Allow access to those parts of the installation where easy access for maintenance and control is crucial.
- Smart, lightweight and easy to transport.
- Body in black high-impact strength polypropylene. Cover in green polypropylene.
- Designed to perform under a variety of outdoor conditions.
- Overlapping covers prevent dirt and grass from settling in between body and cover.
- Factory pierced slots for pipe. Allow fast, trouble-free and cost saving installations.
- Ergonomic slot on body allows for easy cover removal.
- Beveled cover edges help prevent damage to covers from lawn machines.
- Applications in all sorts of canal networks: drinking water distribution, irrigation, spraying, etc.

CARACTERÍSTICAS

- Arquetas para montajes enterrados de riego y construcción.
- Protección ideal para válvulas manuales, electroválvulas, contadores de agua, etc.
- Cumplen la norma EN124 A15.
- Permiten un fácil acceso a los elementos de la instalación, que requieren eventualmente intervenciones de mantenimiento o de control.
- Estéticas, ligeras, apilables y fáciles de transportar.
- Cuerpo en polipropileno de alta resistencia color negro y tapa del mismo material, color verde.
- Gran resistencia mecánica y a los agentes atmosféricos.
- La superposición de las tapas en el cuerpo previene la acumulación de suciedad o hierba entre el cuerpo y la tapa.
- Ranuras para tubo troqueladas de fábrica. Facilitan instalaciones rápidas, sencillas y económicas.
- Ranura ergonómica en el cuerpo, permite una retirada de la tapa más cómoda.
- Bordes de las tapas biseladas, ayudan a prevenir daños causados por la cortacésped.
- Utilizables en todas las modalidades de canalización: distribución de agua potable, riego, aspersión, etc.

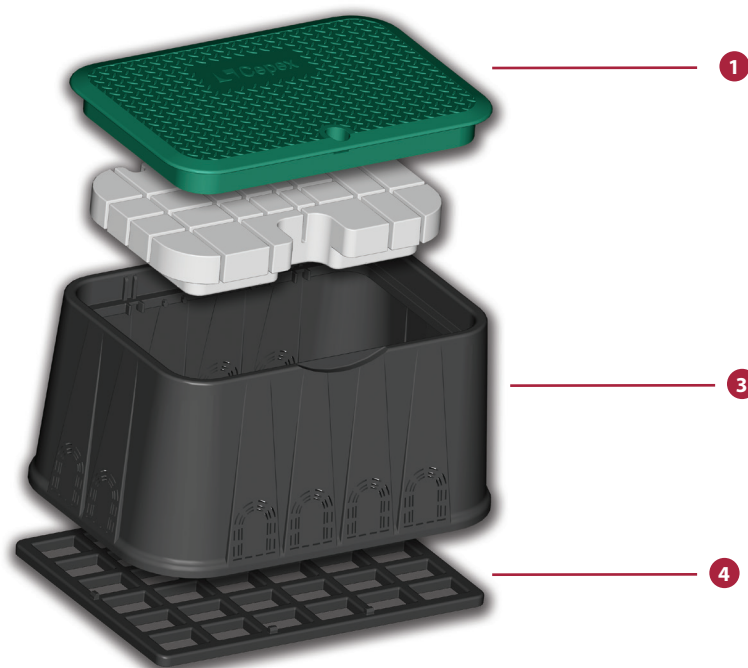
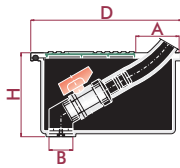


FIG.	Parts	Despiece	Material
1	Cover	Tapa	PP
3	Body	Cuerpo	PP
4	Base grid	Reja base	PP

PP. 26. Round Garden

Round valve box
• With 3/4" hose valve

Arqueta circular
• Con válvula 3/4" para manguera



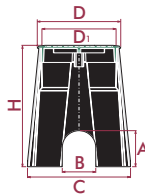
SIZE	REF.	CODE
21 X 21 X 11	11 26 05	17186

D	H	A	B
205	110	59	32

PP. 26. Round 5"

Round valve box
• With clipped cover

Arqueta circular
• Con tapa de cierre a presión



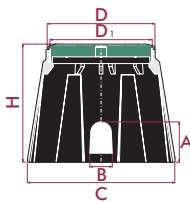
SIZE	REF.	CODE
16 X 20 X 24	11 26 01	02672

D	H	A	B	C	D ₁
162	236	70	65	200	144

PP. 26. Round 9"

Round valve box
• With twistlock cover

Arqueta circular
• Con tapa de cierre a bayoneta



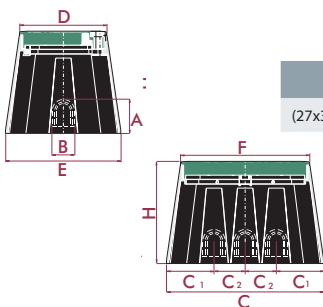
SIZE	REF.	CODE
24 X 33 X 26	11 26 02	02673

D	H	A	B	C	D ₁
241	264	90	50	330	229

PP. 26. Rectangular. Standard

Rectangular valve box
• With screw cover

Arqueta rectangular
• Con tapa de cierre mediante tornillo



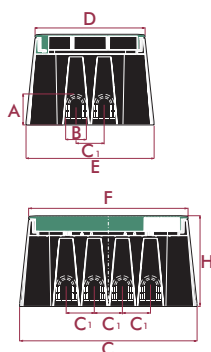
SIZE	REF.	CODE
(27x39) x (35x48)x31	11 26 03	02674

D	F	H	A	B	C	E	C ₁	C ₂
266	394	312	105	70	480	352	145	95

PP. 26. Rectangular. Jumbo

Rectangular valve box
• With screw cover

Arqueta rectangular
• Con tapa de cierre mediante tornillo



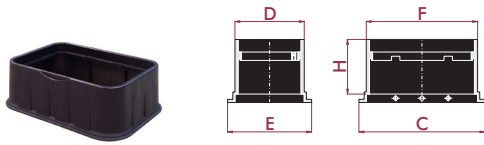
SIZE	REF.	CODE
(43x60) x (37x54) x 31	11 26 04	02675

D	F	H	A	B	C	E	C ₁
372	539	307	105	70	600	433	95

PP. 26. Extension

Rectangular valve box extension

Suplementos para arquetas rectangulares



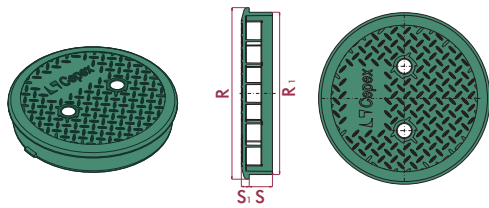
SIZE	REF.	CODE
(02674)	11 26 08	02676
(02675)	11 26 09	07777

D	F	H	E	C
255	382	159	266	394
370	535	165	430	595

PP. 26. Round. Cover

Round valve box cover

Tapa arqueta circular



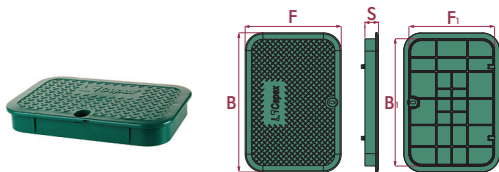
SIZE	REF.	CODE
(17186)	11 26 05 02	27999
(02672)	11 26 01 02	27995
(02673)	11 26 02 02	27996

R	R ₁	S	S ₁
195	-	9	-
162	143	28	6
240	227	33	11

PP. 26. Rectangular. Cover

Rectangular valve box cover

Tapa arqueta rectangular



SIZE	REF.	CODE
(02674)	11 26 03 02	27997
(02675)	11 26 04 02	27998

B	F	S	B ₁	F ₁
394	266	55	375	247
539	372	53	493	332



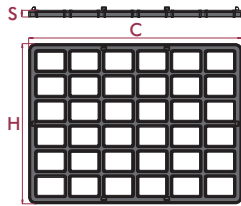
Valve boxes covers available in other colors upon request.

Tapas de arqueta también en otros colores disponibles bajo pedido.

PP. 26. Grid

Base grid

Rejilla base



SIZE	REF.	CODE
(02674)	11 26 12	32781
(02674)	11 26 13	32782

S	H	C
20	388	516
20	480	640

PP. 26. Bolt

Anti vandal bolt

• Rectangular valve box

Tornillo antivandálico

• Arqueta rectangular



SIZE	REF.	CODE
(02674/5)	11 26 14	34549

S	H	C

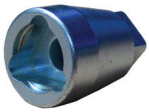
PP. 26. Key

Anti vandal key

• Rectangular valve box

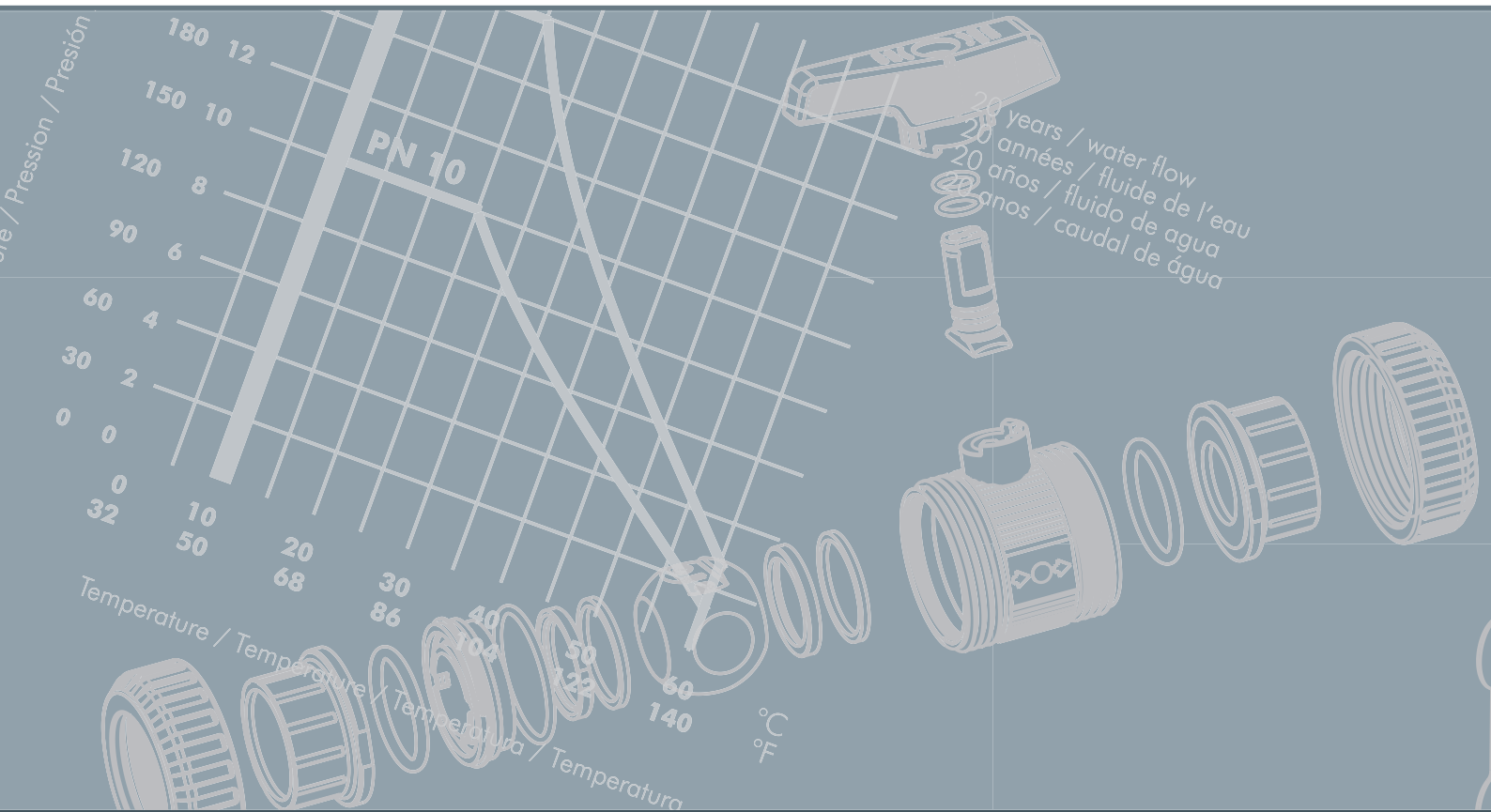
Llave antivandálica

• Arqueta rectangular



SIZE	REF.	CODE
(02674/5)	11 26 15	34550

S	H	C



FLUIDRA

POOL &
WELLNESS

WATER
TREATMENT

FLUID HANDLING
& IRRIGATION

PROJECTS

INDUSTRY